

WE MAKE WATER WORK



Water Works Catalog / Price List

July 2017

Revised June 2018



Table of Contents

	Page
Customer is the Boss, Trade Customs, Freight Program and Adders & Options	4-7

Engineering

Engineering	9-66
General Information	10-18
Corporation Stops	19-23
Service Saddles	24-27
Curb Stops	28-29
Curb Boxes	30-31
Meter Valves	32-33
Back Flow, Single & Dual Checks	34-37
Unmeasured Flow Reducer - UFR	38-41
Copper Meter Resetters	42-43
Copper Meter Setters	44-48
Copper Meter Insetters	49-50
Pit Setters	51-54
Meter Box Frames & Covers	55-58
Iron Yoke	59-60
Meter Boxes	61-65

Corporation Stops

Corporation Stops	67-92
General Information	68-73
Ball Style Valves, Curb Corps	74-81
Plug Style Valves	82-84
Couplings used w/73120 & 73120B Corporation Valves	85-87
Accessories	88-91

Service Saddles & Repair Clamps

Service Saddles	93-124
3801 AWWA / 3802 FNPT	94
3891 AWWA / 3892 FNPT	95
3805 AWWA / 3806 FNPT	96
3895 AWWA / 3896 FNPT	97
3815 AWWA / 3816 FNPT	98
3825 AWWA / 3826 FNPT	99-100
3835 AWWA / 3836 FNPT	101
3845 AWWA / 3846 FNPT	102-103
3855 AWWA / 3856 FNPT	104
4815A, 4816A, 4825A, & 4826A	105-106
4835A, 4836A, 4845A, 4846A, 4855A, & 4856A	107-108
8403 TECK® Saddles	109-110
425, 435, 825, 835, 1625, & 1635 TECK® Repair Clamps	113-121
General Information	122-123
Brass Bushings & Plugs	124

Curb Stops

Curb Stops	125-150
Ball Valves - Regular Pattern	127-137
Ball Valves - Di-Electric Connections	134
Blow-Off Ball Valves - Regular Pattern	137
Stop & Drain Ball Valves	138-139
Ball Valves - Minneapolis Pattern	140-145
Inverted Plug Valves	146-147
Full Port Angle	148
Angle Curb Valves	149
Reduced Port Angle	149-150

Curb Boxes

	Page
Curb Boxes	151-168
Small Arch Pattern Base	152-153
Large Arch Pattern Base	154
Minneapolis Pattern Base	155-159
Curb Box w/Foot Piece Base	160-161
Telescoping Curb Box	162
5700 Series	163
Lids & Accessories	164
Shut-Off Rods	165
Accessories	166
Cast Iron Repair Couplings	167

Service Fittings

Service Fittings	169-212
Straight Couplings - Cambridge	170-171
Straight Adaptors	172-177
Straight Couplings	178-183
Straight Couplings w/Internal Pipe Stop	184
Di-Electric Couplings	185-186
Elbows	187-195
Tees	196-201
U-Branches	202-203
Y-Branches	204-206
Nuts & Gaskets	207-211

Meter Valves

Meter Valves	213-236
Meter Couplings - Straight	214-216
Meter Couplings - 90° Angle & 45° Angle	217-218
Angle Valves - Plug Style	219
Full Port Angle Valves - Ball Style	220
Oval Flange Ball Valves	221
Standard Port Ball Style Angle Valve	222
Oval Meter Flange	223
Round Flanges - 3", 4", & 6"	224
Straight Valves - Ball Style	225-227
Oval Flanged - 1/4 Bends	228
U-Branches & Assemblies w/Valves	229-232
Fire / Sprinkler Assemblies w/Valves	233
Accessories	234
Gaskets	235
Meter Bushings & Adaptors	235
Oval Meter Flange Adaptors	235

Back Flow, Single & Dual Checks

Back Flow, Single & Dual Checks	237-254
701 & 7101 Inline Single Check Valve	238-239
702 Angle Single Check Valve	240-241
711 Inline Dual Check Valves	242-246
712 Angle Dual Check Valves	247-248
712 Oval Flanged Angle Dual Check Valves	249
7111 Inline Accessible Dual Check Valves	250-251
7112 Inline Dual Check Valves	252-253
7411 Inline Y Pattern Cascading Dual Check	254

	Page
Unmeasured Flow Reducer (UFR)	
Unmeasured Flow Reducer (UFR)	255-270
7201 Meter Couplings	256-257
7201 5/8" Meter - Change-Out Kit	258
7201C Straight Couplings	259-261
7202 Angle Single Check & Non-Check Valve	262-263
7211 Inline Dual Check	264-266
7212 Angle Dual Check	267-268
7214 Inline Accessible Dual Check	269-270

Copper Meter Resetters	
Copper Meter Resetters	271-292
710 Series	272-273
Sampling Station	276-277
717 Series	278-279
718 Series	280-281, 288-289
719 Series	282-283
768 Series	284-285
758 Series - Crab Style & Inverted Tandem Resetter	286
758 Series - Inline Tandem Resetter	287
Gaskets, Meter Bushings, Adapters	290
Tandem Options	291

Copper Meter Setters	
Copper Meter Setters	293-352
Meter Setters Adders / Options	294
Numbering System	295
In Stock Setters	296
720, 721, 722, 723, 724, 725, 726 Series	297-311
727, 728, 729 Series	312-317
730, 731, 732, 737, 738, 739 Series	318-329
760, 761, 762, 763 Series	330-331
764 Series	332-333
770 Series	334-337
Setters / Resetters	338
718 Series	339
720 & 721 Series No-Rise	340-342
722, 723, 724, 725, 726 Series (1 1/2" & 2")	343-347
730, 731, 732, 739 Series (1 1/2" & 2")	348-351
Unions	299
Idlers & Gaskets	352

Copper Meter Insetters	
Copper Meter Insetters	353-376
740, 741 Series	354-362
742, 743 Series	363-367
Unions	368
744, 745, 746 Series	369-371
747, 748 Series	372-374
749 Series - Tandem	375-376

Pit Setters	
Pit Setters	377-402
715 & 716 Series	379-381
780 Series - Pit Assembly	382-388
783 Series - Yoke Pit Assembly	389-392
7180 Series - Flat Lid Pit Assembly	393-396
790 Series - Coil Pit Assembly	397-400
90L Series - Flat Lids	401
Typical Installation	402

Meter Box Frames & Covers	
Meter Box Frames & Covers	403-414
74MA "A" Style	404
74MC "C" Style	405
74 MW "W" Style	406
74MX "X" Style	407
74M Monitor Style	408
74MPR "PR" Style	409
74R "R" Style	410
Extension Rings	411
90 Series	412
Accessories	413
Cover Options	414

Iron Yokes	
Iron Yokes	415-438
Yoke Bars	416
Expansion Connection	417
UFR for Iron Yoke	418-419
714U Yoke Expander	420-421
Wrenches, Star Nuts & Gaskets	422
Angle Valves - Plug Style	423-424
Angle Valves - Standard Port	425-426
Angle Yoke Valves - Full Port	427
Straight Yoke Valves - Ball Style	428-429
Yoke Couplings - Quarter Bend	430-431
Yoke Couplings - Straight	431
Female Yoke - Quarter Bend	432
Female Yoke - Straight Adapters	432
Angle Yoke Style Single Check Valves	433
Inline Yoke Style Dual Check Valves	434
Inline Accessible Dual Check	434
Angle Yoke Style Dual Check Valves	435-436
U-Branch Assemblies for Iron Yokes	437
Iron Yoke Packages & Assemblies	438

Meter Boxes	
Meter Boxes	439-459
772 "G" Series	440-441
775 Series	442-446
776 Series	447-451
Complete Long Box Package - 776 Series	452-453
777 Series	454-455
Pro Meter Box 79 & 779 Series	456-457
Accessories	458

MISSION STATEMENT

The mission of A.Y. McDonald Mfg. Co. in the words of our founder is

“To make good products and to sell them honestly.”

We, the stockholders and employees, accomplish this by extending the McDonald family culture through excellent customer service and by focusing on our customers’ needs.

WHO’S THE BOSS?

Here’s a question I’ll bet you could ask a thousand working people and never get the right answer. The question is: **“Who’s The Boss?”**

There’s only one boss, and whether a person shines shoes for a living or heads up the largest corporation in the world, the boss remains the same. **It’s The Customer!**

The customer is the person who pays everyone’s salary and who decides whether a business is going to succeed or fail. The customer doesn’t care if a business has been around a hundred years. The minute it starts treating them badly, the customer will put it out of business.

This boss, the customer, has bought and will buy everything you have or will ever have. The customer has bought all of your clothes, your home, your car, your children’s education, and your vacation. They pay all of your bills and they pay them in exact proportion to the way you treat them.

The man who works deep inside a big plant on an assembly line might think he’s working for the company that writes his pay check, but he is not. He’s working for the person who buys the product at the end of the line, the customer. In fact, this customer can fire everyone in the company from the president on down. And they can do it by simply spending their money someplace else. This is one of the reasons why taking pride in the work we do is so important to us personally. Doing an exceptionally good job will not only bring joy and satisfaction, it will help get more customers, keep the ones we’ve got, and ensure that we continue to get a pay check from our bosses.

Some of the largest companies that had flourishing businesses a few years ago are no longer in existence. They couldn’t - or didn’t - satisfy the customer. They forgot who the boss really was!

At A.Y. McDonald we remind ourselves every day that the customer is the boss. It’s one of our core values and the reason we provide the best customer service in the business.



CONTROLLING PROVISIONS: These terms and conditions supersede all previous terms and conditions and shall control any sale by A.Y. McDonald Mfg. Co. ("Seller"). No alteration or waiver of these terms and conditions shall be valid unless specifically accepted in writing by an authorized representative of Seller.

PRICES: Billing prices are those in effect at the time the order is shipped. All prices are subject to change without notice. Possession of a price sheet shall not be construed as an offer to sell. Seller reserves the right to reject any order.

TERMS: 2% 10th Prox., Net 25th (A 2% cash discount can be taken on the 10th of the month following the shipment. The month is defined as the 26th through the 25th. For example, a February 25th invoice is due 2% on March 10th, a February 26th invoice is due 2% April 10th, and all invoices are due net the 11th and considered past due on the 26th of the month). Without open credit terms, payment may be required prior to shipping. A 2% monthly service charge (or the maximum amount permitted by law) may be applied to the balance of any past-due invoice. Buyer shall pay any necessary collection fees, including reasonable attorney fees.

TAXES: Any sales tax, use tax, manufacturer tax, duty, or other cost imposed by any government entity shall, at Seller's option, be added to the purchase price and payable by buyer. Buyer must certify any tax exemption and agree to indemnify Seller against any tax imposed contrary to such certification.

FREIGHT: All prices are F.O.B. Seller's factory, with full freight allowed within the contiguous United States and Canada on the orders that qualify pursuant to the Freight Program schedule. Seller reserves the right to select the carrier and route of shipment and to ship at the most economical rate. All extra charges for special handling or delivery services will be paid for by the buyer. Terms for shipment outside the contiguous United States and Canada shall be established on a case-by-case basis.

"LIMITED WARRANTY Subject to the limitations stated herein, A.Y. McDonald Mfg. Co. ("Seller") warrants that water service products manufactured by Seller shall be free from defects in material and workmanship and shall perform the services for which they are intended when properly installed, under normal use, and under ordinary conditions, for a period of ninety (90) days from the date of shipment from Seller's factory. This Limited Warranty does not cover or apply to plumbing products, high pressure gas products, or pumps or pump accessories manufactured by Seller. Buyer must notify Seller in writing of a potentially defective product as soon as possible and not later than ninety (90) days from the date of shipment from Seller's factory. Upon receipt of such notice, Seller shall, at its option and at its expense, examine such product at Seller's factory or such other location as Seller shall determine. Should Seller agree to a return of the product, buyer shall follow in every respect the packaging and transportation instructions provided by Seller. In no case shall a product be returned without first obtaining the permission of Seller. If a product is proven to the satisfaction of Seller to be defective, then Seller shall, at its option and at its expense, repair or replace such product or reimburse buyer for the price paid by buyer for such product. The cost of shipping to buyer a repaired or replaced product shall be paid by Seller on the same shipping terms as the original shipment of such product to buyer. Except as stated herein, buyer shall assume all responsibility and expense for any dismantling, removal, reinstallation, and shipping in connection with this Limited Warranty, and no claims will be allowed for labor, shipping, materials, or other costs incident to the repair, replacement, or return of a product.

THIS LIMITED WARRANTY IS THE ONLY WARRANTY PROVIDED BY SELLER AND IS MADE IN LIEU OF ALL OTHER WARRANTIES, EXPRESS OR IMPLIED, INCLUDING BUT NOT LIMITED TO THE IMPLIED WARRANTIES OF MERCHANTABILITY AND FITNESS FOR A PARTICULAR PURPOSE.

SELLER'S LIABILITY IS LIMITED TO REPAIR, REPLACEMENT, OR REIMBURSEMENT AS PROVIDED ABOVE, AND IN NO EVENT SHALL SELLER'S LIABILITY EXCEED THE PURCHASE PRICE OF THE PRODUCT(S) INVOLVED. THIS LIMITED WARRANTY PROVIDES THE EXCLUSIVE REMEDY AGAINST SELLER FOR CLAIMS RELATING TO PRODUCTS, WHETHER IN CONTRACT, IN TORT (INCLUDING NEGLIGENCE), OR UNDER ANY OTHER LEGAL THEORY, AND WHETHER ARISING OUT OF WARRANTIES, REPRESENTATIONS, INSTRUCTIONS, OR DEFECTS FROM ANY CAUSE. IN NO EVENT SHALL SELLER BE LIABLE FOR OR OBLIGATED TO PAY ANY CONSEQUENTIAL, INCIDENTAL, SPECIAL, INDIRECT, OR PUNITIVE DAMAGES OF ANY KIND.

THIS LIMITED WARRANTY EXTENDS ONLY TO BUYERS WHO PURCHASE SELLER'S PRODUCT(S) DIRECTLY FROM SELLER ("ORIGINAL PURCHASERS"), INCLUDING DISTRIBUTORS, WHOLESALE, UTILITIES, AND CONTRACTORS. THIS LIMITED WARRANTY IS NOT ASSIGNABLE OR OTHERWISE TRANSFERABLE BY THE ORIGINAL PURCHASER TO ANY OTHER PARTY. SELLER EXTENDS NO WARRANTY, EXPRESS OR IMPLIED, INCLUDING BUT NOT LIMITED TO THE IMPLIED WARRANTIES OF MERCHANTABILITY AND FITNESS FOR A PARTICULAR PURPOSE, TO "CONSUMERS," AS THAT TERM IS DEFINED IN THE MAGNUSON-MOSS WARRANTY ACT (15 U.S.C. SECTIONS 2301 ET SEQ.) AND THE REGULATIONS PROMULGATED THEREUNDER. IN NO EVENT SHALL THE DURATION OF ANY IMPLIED WARRANTY OF MERCHANTABILITY OR FITNESS FOR A PARTICULAR PURPOSE BE LONGER THAN THE NINETY (90) DAY PERIOD PRESCRIBED HEREIN.

This Limited Warranty shall not apply to product failure or defect: due to a defect in the design, engineering, or installation of any water, gas, or other system; where the product has been modified without the prior written authority of Seller; caused by the failure to install or use the product in conformity with any instructions or specifications provided by Seller; caused by the improper installation, use, application, maintenance, repair, transportation, handling, or storage of the product; caused by the fault or negligence of anyone other than Seller or any other act or event beyond the control of Seller. Seller makes no warranties as to any products or product parts or components that are not manufactured by Seller. The limitations of liability contained in this Limited Warranty shall be effective without regard to Seller's performance or failure or delay of performance under any other term or condition of any trade customs, warranty, or other agreement. No employee, representative, or agent of Seller, nor any other person, has authority to assume or incur on behalf of Seller any liability, obligation, or responsibility in place of or in addition to this Limited Warranty."

CLAIMS: Inspect all shipments immediately upon receipt, examining products for damage and verifying quantity. Any claim of damage, shortage, or non-conformance must be made in writing within 5 business days of receipt of goods (any claim of damage or shortage must be noted on the Freight Carrier's signed delivery receipt).

ORDERS: Seller is not responsible for and shall not be held liable for damages resulting from delays or failures in shipment, nor shall Seller be liable for any delay or failure to provide goods where occasioned by any force majeure event, including without limitation: strikes and other labor disputes; fires; acts of God; floods, snowstorms, tornados, and other storms; unusually severe inclement weather conditions; fuel, energy, carrier, or material shortages or embargoes; war; terrorism; civil disturbances; acts of civil or military authority; court order or decree; partial or complete destruction of factory or other facility; acts of buyer; inability to obtain or retain fuel, energy, carriers, materials, facilities, or labor without litigation or the payment of penalties or unreasonable prices or the acceptance of unreasonable terms and conditions; and any other cause beyond Seller's control.

RETURNS: Goods cannot be returned without the prior written approval of Seller. Return freight must be prepaid by buyer. After inspecting the returned goods, Seller may impose upon buyer: (1) a handling and restocking charge equal to a minimum of 25% of the invoiced cost of the returned goods; and, in addition thereto, (2) any costs required to put the goods in like-new condition. All credit memos are subject to cash discount terms as defined in our standard terms.

CANCELLATION: The contract resulting from Seller's acceptance of Buyer's order cannot be cancelled, terminated, or modified by Buyer, in whole or in part, except upon Seller's prior written approval.

INVOICING: Minimum invoice charge of \$50.00 (does not apply to Plumbing Products).

NON-STOCK PRODUCTS: Non-stock products (i.e., customized or non-standard products) may require a minimum order and buyer should make prior inquiry to Seller. Once production has begun, orders for non-stock products cannot be cancelled without the prior written approval of Seller. Seller will not accept the return of non-stock products.

CONSTRUCTION: All sales, contracts, and offers to buy or sell, all rights, remedies and duties of all persons, and the construction and effect of all provisions hereof, shall be governed by and construed according to the laws of the State of Iowa.



WARNING: It is unlawful in CALIFORNIA & VERMONT (effective 1/1/2010); MARYLAND (effective 1/1/2012); LOUISIANA (effective 1/1/2013) and the UNITED STATES OF AMERICA (effective 1/4/2014) to use any product in the installation or repair of any public water system or any plumbing in a facility or system that provides water for human consumption if the wetted surface area of the product has a weighted average lead content greater than 0.25%. This prohibition does not extend to service saddles used in California, Louisiana or under USA Public Law 111-380. **WARNING:** This product can expose you to chemicals including lead, which is known to the State of CALIFORNIA to cause cancer and birth defects or other reproductive harm. For more information go to: www.P65Warnings.ca.gov.

Freight Program

I. PRODUCT GROUP QUALIFICATION LEVELS

Freight will be prepaid and allowed by Seller on orders that meet or exceed the following net prices or unit qualifiers (net prices reflect list prices less applicable discounts):

1. High Pressure Gas (may be combined with plumbing Valves)\$2,500 Net
2. Water Service Products (may be combined with Curb Boxes, Pumps, Pump Accessories, Plumbing Valves, Frames & Covers, HPG, and Yoke Boxes)\$6,000 Net
3. Pumps12+ units
4. Plumbing Products (may be combined with Pump Accessories)\$1,300 Net
5. Tanks 24+ units (may be 24 units in combination with Jets and Submersibles)
6. Pit Setters . . . 15" diameter – 144 units
18" diameter – 96 units
21" diameter – 72 units
24" diameter – 48 units
30" and 36" diameter – 24 units

II. ADDITIONS

Once an order qualifies for freight in **any** product group, other products on your order ride free (excluding Tanks and Pit Setters). However, additions to freight allowed orders will **NOT** be allowed once the original order is on board or a partial shipment has been made against the original order.

Freight qualifiers are subject to change without notice.

ABBREVIATIONS / DEFINITIONS

AWWA	American Water Works Association Standard Thread / Corporation Cock, this thread has a steeper taper than Male National Pipe Threads
CTS Suffix -22, T, Q, G, & H	Copper Tube Size, copper tube (type K or L) or copper tube size polyethylene (ASTM D2737 SDR 9) or Polybutylene (ASTM D2666 SDR 9), insert stiffeners are required when using polyethylene or polybutylene.
FFLR	Female Copper Flared Connection Thread / inside thread, includes copper gasket.
FLR	Flared end with nut, for use with copper tube
FNPT	Female National Pipe Thread / inside tapered thread
IP Suffix -55	Iron Pipe / Galvanized Iron Pipe (not threaded)
IPS or PEP Suffix -33, -3H, -3G, -3Q	I.D. based polyethylene pipe, for use with polyethylene (ASTM D2239 SIDR 7) or Polybutylene (ASTM D 2662 SIDR 7), insert stiffeners are required when using polyethylene or polybutylene.
IPS or PEP Suffix -34	I.D. based polyethylene pipe, for use with polyethylene (ASTM D2239 SIDR 9), insert stiffeners are required when using polyethylene.
MFLR	Male Copper Flared Connection Thread / outside thread
MNPT	Male National Pipe Thread / outside tapered thread
PE	Polyethylene
PVC Suffix -44	Polyvinyl Chloride, ridged plastic pipe, Schedule 40 or 80 only (ASTM D1785)
S	-66 Strong Lead
XS	-67 Extra Strong Lead
XXS	-68 Double Extra Strong Lead

NOTE: Materials meet or exceed A.W.W.A. standard C-800.



THERMAL EXPANSION WARNING - Creating a "closed" condition in a hot water system with the installation of a non-return barrier (such as a Check Valve or Backflow Preventer between the system piping and the public supply) can result in extreme pressure rises caused by thermal expansion and/or water hammer. This thermal expansion can damage piping, valves, and other Components in the system. The installation of a pressure relief device or thermal expansion tank can avoid possible damages.

These symbols are used throughout this price list to indicate adders and other product options.

▼ **C903 = ALUMINUM CORE PE**

For 3/4" or 1" C903, Change Q to K in model number. Add \$ 24.42-3/4"; \$ 33.59-1" per end connection.
Not available in other size or configurations except 3/4" or 1" Q.

■ **REWTR = RECLAIMED WATER**

For **reclaimed water**, at end of Model Number, add RWT (for reclaim water tag) and \$ 15.89 list.
 RWC (for reclaimed water cast) and \$ 7.18 to non-lockwing version or \$ 3.74 to lockwing version. Contact factory.

❖ **McGrip**

Available in McGrip Series Compression, CTS-G replaces Q, PEP -3G replaces -3Q

★ **LFLN = LESS FLARE NUT**

Deductions for purchasing "less nut" - prices are per each. Add "L" to end of model number.

COPPER TUBE FLARE NUT SIZE	LIST DEDUCTION	CTS COMPRESSION	LIST DEDUCTION
1/2"	-\$ 2.62	4700-22 1/2"	-\$ 4.61
3/4"	-\$ 4.27	4700-22 3/4"	-\$ 5.02
1"	-\$ 7.03	4700-22 1"	-\$ 7.74
1 1/4"	-\$ 11.30	4700-22 1 1/4"	-\$ 13.46
1 1/2"	-\$ 19.61	4700-22-12 1/2"	-\$ 16.31
2"	-\$ 36.52	4700-22-12 2"	-\$ 22.93
		4700-22-16 1 1/2"	-\$ 16.32
		4700-22-16 2"	-\$ 22.96
		4700-22FT 1 1/2"	-\$ 24.32
		4700-22FT 2"	-\$ 30.86

○ **TW - TRACER WIRE**

For Pentagon lid type curb boxes with ability to attach tracer wires - add TW to model number.
 i.e. 5607LR becomes 5607LRTW - add \$ 3.09 to list price.

+ **BVHANDLE = BALL VALVE HANDLES**

For ball valves with HANDLES, add the following to model number and list price:

Stainless Handle

ADD TO MODEL NO.	BALL SIZE	ADD TO LIST PRICE
HDL	5/8" valves	\$ 6.54
HDL	3/4" & 1"	\$ 7.25

Brass Handle

ADD TO MODEL NO.	BALL SIZE	ADD TO LIST PRICE
HDLB	5/8" valves	\$ 6.54
SHDLB	3/4" & 1"	\$ 6.54
HDLB	3/4" & 1"	\$ 7.25
SHDLB	1 1/2" & 2"	\$ 17.24
FHDL	Fixed handle	
	5/8"	\$ 3.44
	3/4 & 1	\$ 4.32
	1 1/2 & 2	\$ 28.41

Handy-Loc

CTS	PEP
3/4 = H - \$ 3.27 per end	3/4 = -3H \$ 4.36 per end
1 = H - \$ 4.36 per end	1 = -3H \$ 6.54 per end

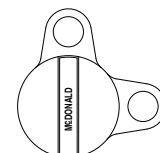
**ADDITIONAL OPTION ADDERS FOR BALL VALVES
 NO-LEAD OFFERING - CONTACT FACTORY FOR MORE INFORMATION.**

360° Rotation - Add \$ 2.18 list. Change fourth digit of model number to "1". Example: 76100 becomes 76110

Lockwing - Adder \$ 3.44 or \$ 6.89 for double lockwing. Not available on all models, contact factory.

Replacement cap and screw for "CAP" version corporation stops, on all sizes - \$ 17.32.

For Flare, Q, & -3Q series anode nut add "A" to model #, add \$9.83, to each end.



Double lockwing option

** **NON-STOCK**

Components to assemble may be stock items. Contact factory for availability.

Contact factory for availability of BSPT (British Standard Pipe Thread) - male and female.



Engineering



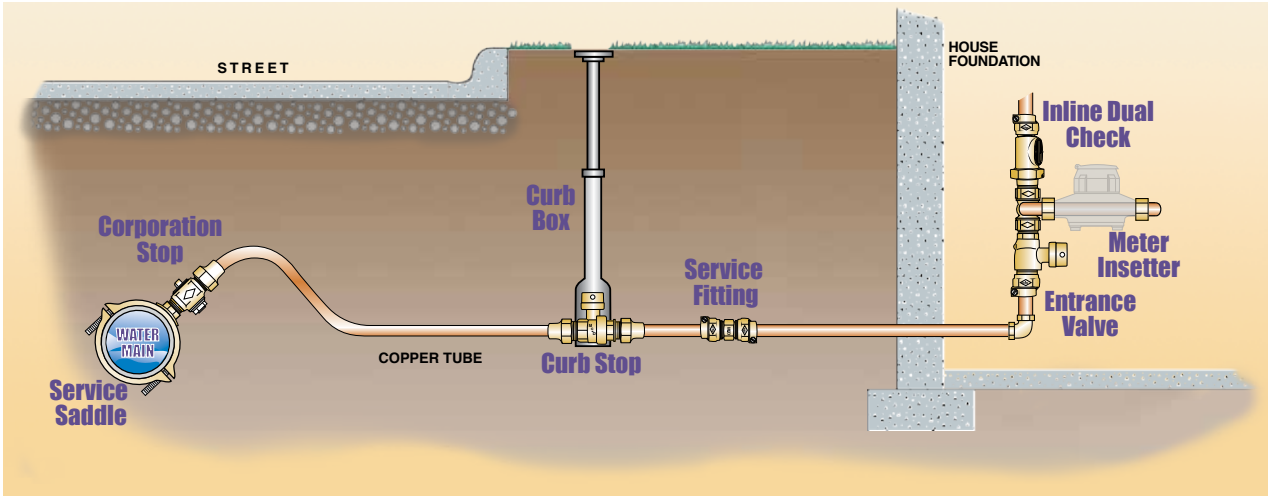
Engineering

Water Works Catalog / Price List - July 2017

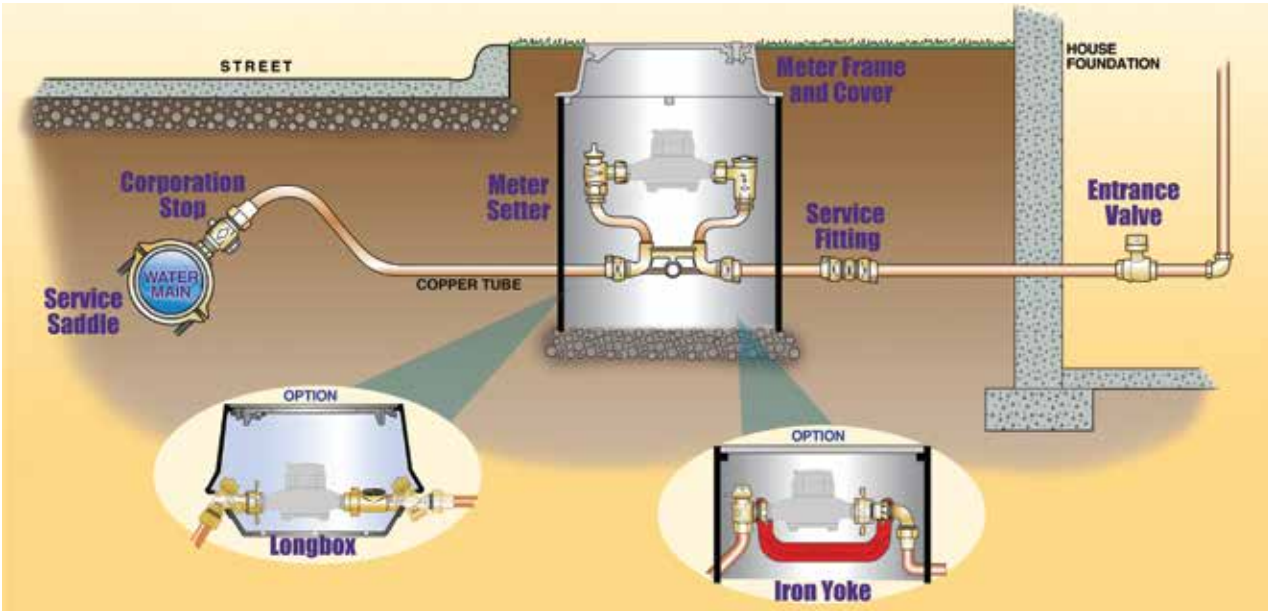
MORE THAN A BRAND. WE'RE A FAMILY.

Water Service Lateral

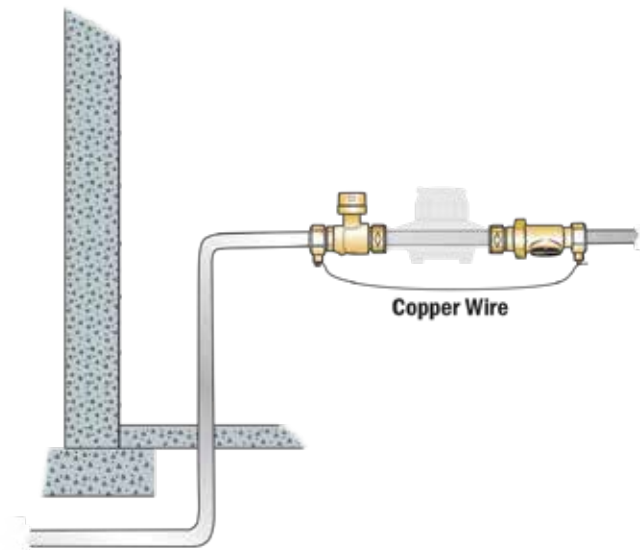
Northern Installation



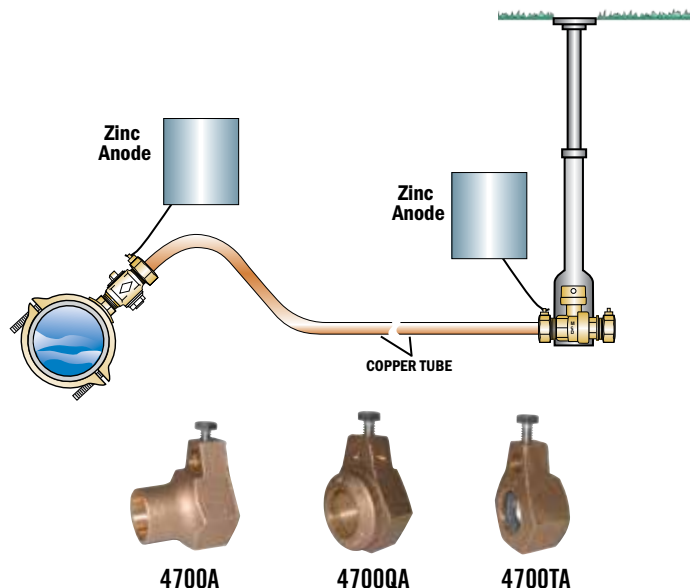
Southern Installation



Electrical Continuity

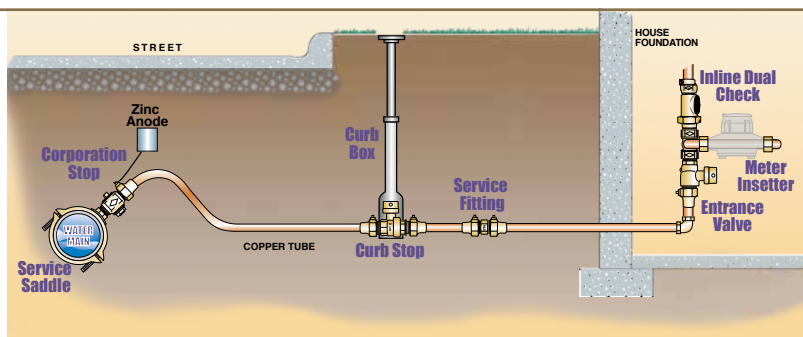


Anode Nut Options



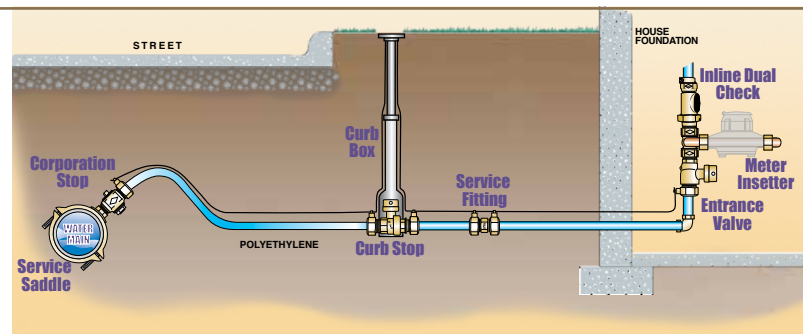
Sacrificial Anode

In cathodic protection, a metal anode that is more reactive to the corrosive environment of the system to be protected is linked to the protected system, and partially corrodes or dissolves, which protects the metal of the system it is connected to. As an example, a Ductile Iron water main may be protected by a zinc sacrificial anode, which will dissolve into the wet earth around the main and prevent the water main from being corroded. Sacrificial anodes are particularly needed for systems where a static charge is generated by the action of flowing liquids, such as pipelines.



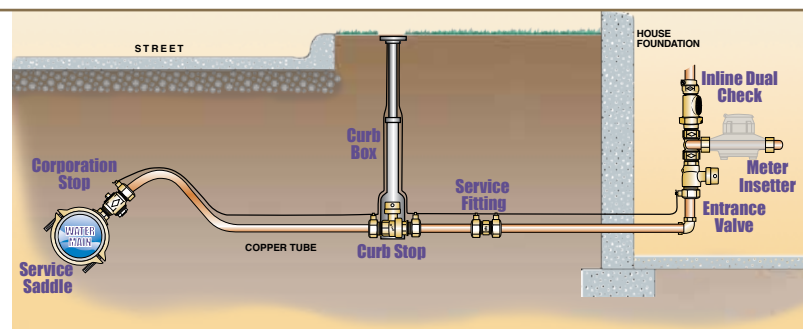
Tracer Wire / Locater Nut

Tracer wire (also known as locating wire) is used frequently by utility companies to locate buried service lines made of plastic. Tracer wire is buried alongside plastic service lines that are installed underground, to assist in locating them for service and repairs. This practice saves contractors and consumers time, money and inconvenience, but only when the tracer wire maintains its integrity so that a line needing service can be promptly located.



Thaw Wire

An installation that incorporates a thaw wire is one that could potentially freeze under extreme cold weather conditions. A copper wire is normally connected to various positions along a copper service line so an electrical device such as an arc welder could apply electric current to unfreeze the water line, if necessary.



Outside Diameter Chart

Types of Pipe/Tubing for use with A.Y. McDonald Fittings (Outside Diameters listed)

Engineering

	CTS	CTS*	CTS*	CTS*	PEP* Accepts Barbed Insert	PEP*
NOMINAL SIZE	TYPE K or L COPPER TUBE	POLYETHYLENE ASTM D2737 SDR 9 TUBE SIZE	PEX TUBING ASTM F876 SDR 9 CSA B137.5	POLYBUTYLENE ASTM D2666 SDR 9 TUBE SIZE CLASS 250	POLYBUTYLENE ASTM D2662 SDR 7 or POLYETHYLENE ASTM D2239 SDR 7 POLYETHYLENE PIPE SIZE	POLYETHYLENE ASTM D2239 SDR 9 POLYETHYLENE PIPE SIZE
1/2"	$\frac{.622}{.628}$ C	$\frac{.621}{.629}$ A C	$\frac{.621}{.629}$ A C	$\frac{.625}{.633}$ A C	$\frac{.79}{.85}$ B C	
5/8"						
3/4"	$\frac{.872}{.878}$	$\frac{.871}{.879}$	$\frac{.871}{.879}$	$\frac{.875}{.883}$	$\frac{1.045}{1.110 (1.089)}$	$\frac{.993}{1.058}$
1"	$\frac{1.121}{1.129}$	$\frac{1.120}{1.130}$	$\frac{1.120}{1.130}$	$\frac{1.125}{1.135}$	$\frac{1.329}{1.399 (1.384)}$	$\frac{1.263}{1.333}$
1 1/4"	$\frac{1.371}{1.379}$	$\frac{1.370}{1.380}$	$\frac{1.370}{1.380}$	$\frac{1.375}{1.385}$	$\frac{1.754}{1.832 (1.804)}$	$\frac{1.666}{1.736}$
1 1/2"	$\frac{1.621}{1.630}$	$\frac{1.619}{1.631}$	$\frac{1.619}{1.631}$	$\frac{1.625}{1.637}$	$\frac{2.050}{2.141 (2.109)}$	$\frac{1.948}{2.023}$
2"	$\frac{2.120}{2.130}$	$\frac{2.119}{2.131}$	$\frac{2.119}{2.131}$	$\frac{2.125}{2.137}$	$\frac{2.637}{2.742 (2.709)}$	$\frac{2.507}{2.598}$
Type of A.Y. Fitting	Flare, A, -22, G, Q, QA, TA or CC	-22, G, H, Q, QA, T, TA or CE	-22, G, H, Q, QA, T, TA or CE	-22, G, H, Q, QA, T, TA or CE	-33, -3G, -3H, -3Q, or -3QA	-34
A.Y. SS Stiffener	D	6131T 6133T *F	6131T 6133T *F	6131T 6133T *F	6136 *	6136

Recommended Torque Chart for Mac-Pak Compression Nuts

Tighten to the following minimum torques: "-22", "-33", "-34", "-44", "-55" Compression

For nut size:	1/2"20 ft-lbs	1"30 ft-lbs	1 1/2"40 ft-lbs
	3/4"25 ft-lbs	1 1/4"35 ft-lbs	2"45 ft-lbs

For soft copper, PVC, polybutylene, and polyethylene tubing, the torques to which the clamp side screw should be tightened are as follows (NOTE CHANGE IN UNIT OF MEASURE):

For clamp screw:	1/2"70-80 in-lbs	1"90-100 in-lbs	1 1/2"160-180 in-lbs
	3/4"80-90 in-lbs	1 1/4"120-140 in-lbs	2"200-220 in-lbs

For hard copper tubing, brass and steel pipe, the torques to which the clamp side screw should be tightened to are as follows (NOTE CHANGE IN UNIT OF MEASURE):

For clamp screw:	1/2"70-80 in-lbs	1"65-90 in-lbs	1 1/2"160-180 in-lbs
	3/4"80-90 in-lbs	1 1/4"120-140 in-lbs	2" & 2 1/2"200-220 in-lbs

Lead Mac-Pak Comp. "-66", "-67", "-68" Compression

For nut size:	1/2"20 ft-lbs	1"40 ft-lbs	1 1/2"50 ft-lbs
	5/8"30 ft-lbs	1 1/4"45 ft-lbs	2"55 ft-lbs
	3/4"35 ft-lbs		

NOTE CHANGE IN UNIT OF MEASURE

For clamp screw:	1/2"70-80 in-lbs	1"90-100 in-lbs	1 1/2"160-180 in-lbs
	5/8"75-85 in-lbs	1 1/4"120-140 in-lbs	2"160-180 in-lbs
	3/4"80-90 in-lbs		

Outside Diameter Chart

Types of Pipe/Tubing for use with A.Y. McDonald Fittings (Outside Diameters listed)

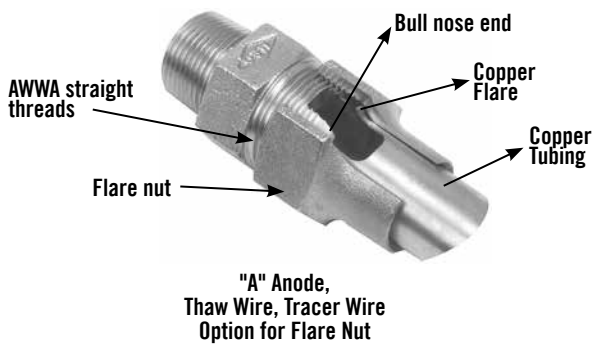
C903	PVC	IPS*	IP	LEAD PIPE		
C903	BRASS PIPE & PVC ASTM D1785 SCH. 40	POLYETHYLENE ASTM D3035 SDR 9 / SDR 11 OD CONTROLLED IRON PIPE SIZE	STEEL PIPE	STRONG S or A	EXTRA STRONG XS or AA	DOUBLE EXTRA STRONG XXS or AAA
	$\frac{.836}{.844}$ C		$\frac{.836}{.844}$ B C	$\frac{.783}{.813}$ B	$\frac{.861}{.891}$	$\frac{.997}{1.027}$
				$\frac{1.004}{1.034}$	$\frac{1.067}{1.097}$	$\frac{1.122}{1.152}$
$\frac{.984}{.996}$	$\frac{1.046}{1.054}$	$\frac{1.046}{1.054}$ A	$\frac{1.046}{1.054}$	$\frac{1.141}{1.171}$	$\frac{1.197}{1.227}$	$\frac{1.321}{1.351}$
$\frac{1.260}{1.272}$	$\frac{1.310}{1.320}$	$\frac{1.310}{1.320}$ A	$\frac{1.310}{1.320}$	$\frac{1.413}{1.443}$	$\frac{1.477}{1.507}$	$\frac{1.581}{1.611}$
	$\frac{1.655}{1.665}$	$\frac{1.655}{1.665}$ A	$\frac{1.655}{1.665}$	1 1/4" -44 $\frac{1.655}{1.685}$	$\frac{1.750}{1.780}$	1 1/2" -44 $\frac{1.874}{1.904}$
	$\frac{1.894}{1.906}$	$\frac{1.894}{1.906}$ A	$\frac{1.894}{1.906}$	1 1/2" -44 $\frac{1.969}{1.999}$	$\frac{2.061}{2.091}$	2" -22 $\frac{2.257}{2.287}$
	$\frac{2.369}{2.381}$	$\frac{2.369}{2.381}$	$\frac{2.369}{2.381}$	2" -44 $\frac{2.488}{2.518}$	$\frac{2.736}{2.766}$	$\frac{2.993}{3.023}$ B
K, KA	-44	-44	-44, -55	-66	-67	-68
	D	SDR 9 - 6137 SDR 11 - 6138 *	D	D	D	D

■ Shaded areas indicate where lead pipe may have to be shaved to fit Compression end shown.

- A - Need insert not available from A.Y. McDonald Mfg. Co.
- B - No fitting from A.Y. McDonald Mfg. Co. available.
- C - 1/2" only available in -22 & -44 series. Contact Factory!
- D - Insert stiffener not required
- E - -34, -3G, -3Q, -3QA, -3H, and H only available in 3/4" and 1" sizes.
- F - 6131T Plastic Stiffener only available in 3/4" and 1" sizes.
- () - Maximum pipe O.D. that will work with A.Y. McDonald fittings.
- * - Insert Stiffeners required on all flexible connections except the Handy-Loc.

<p>Recommended Torque Chart for 6130 Series Compression Nuts</p> <p>Tighten to the following minimum torques:</p> <p>3/4" 35 to 45 ft-lbs</p> <p>1" 40 to 50 ft-lbs</p>	<p>Recommended Torque Chart for T Series Compression Nuts</p> <p>Tighten to the following minimum torques:</p> <p>3/4" 50 ft-lbs</p> <p>1" 55 ft-lbs</p> <p>1 1/4" 65 ft-lbs</p> <p>1 1/2" 100 ft-lbs</p> <p>2" 125 ft-lbs</p>
--	---

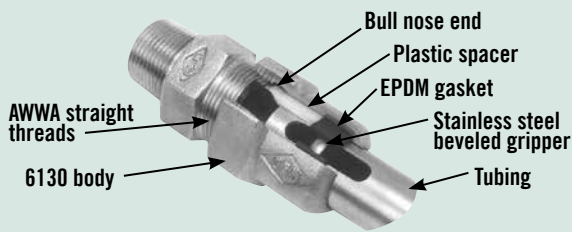
Flare



4700A
Option for Flare Nut
For this feature add "A" to the Model No.: 74701 = **74701A**. Available for 3/4" & 1" only.

- Remove the flare nut from the valve or fitting and slip it onto the copper tubing.
- Flare the end of the copper tubing making sure the outside diameter of the flare extends out to the threads in the flare nut, and is free of nicks and chips.
- Screw the flare nut with tubing back onto the matching bull nose end of the valve or fitting and securely wrench tighten.
- The flared portion of the copper tubing acts as a water-tight gasket and also is locked between the nut and coupling giving high pull-out resistance.

76130 Compression Coupling Converts Flare End to Compression Assembly



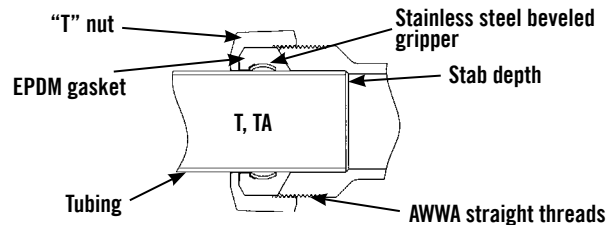
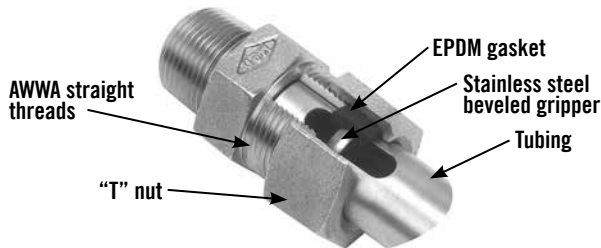
The 76130 Compression Coupling converts any 3/4" or 1" flared joint into a tube size Compression joint. For copper 6130CC or CTS polyethylene 6130CE.

- Remove the flare nut from the valve or fitting and replace with the 6130 Coupling.
- Squarely cut the end of the copper or polyethylene tubing and insert it into the 6130 coupling until the tubing bottoms out.*
- Tighten the 6130 coupling onto the valve or fitting fingertight, then wrench tighten two - three more complete turns.

DO NOT OVERTIGHTEN.

T & TA Compression

Copper tube, CTS PE ("T") is stabbed thru nut and gasket/gripper assembly to stab depth. The "T" nut is tightened to the required torque, which compresses the EPDM gasket and stainless steel beveled gripper, which creates a water-tight seal and pull-out strength.



- Insert tubing through the "T" Compression nut and assembly into the machined socket of the valve or fitting.*
- Tighten the "T" compression nut securely onto the valve or fitting, using the information from the recommended torque chart. This will:
 - Provide a water-tight seal by compressing both edges of the EPDM gasket around the tubing.
 - Compress the stainless steel beveled gripper providing high pull-out resistance.

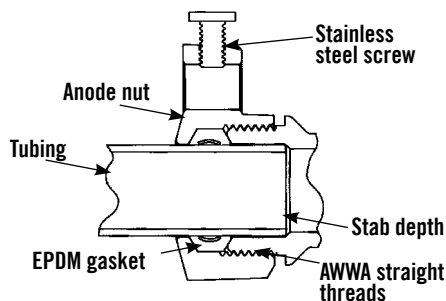
NOTE: "T" Compression, Mac-Pak -22, McQuik "Q", C903 "K", McGrip "G", and Handy-Loc "H" nuts have the same threads and are interchangeable. Except where noted.

Recommended Torque Chart for T Series Compression Nuts

Tighten to the following minimum torques:

3/4"	50 ft-lbs
1"	55 ft-lbs
1 1/4"	65 ft-lbs
1 1/2"	100 ft-lbs
2"	125 ft-lbs

DO NOT OVERTIGHTEN



"TA" Anode

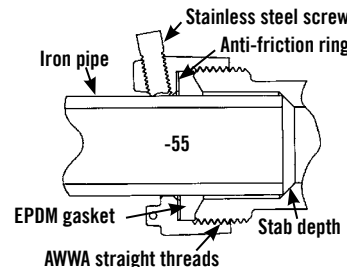
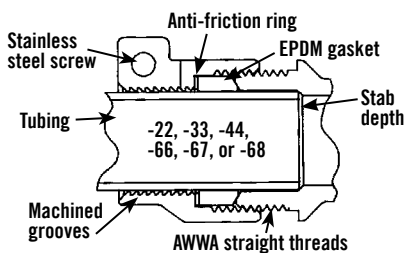
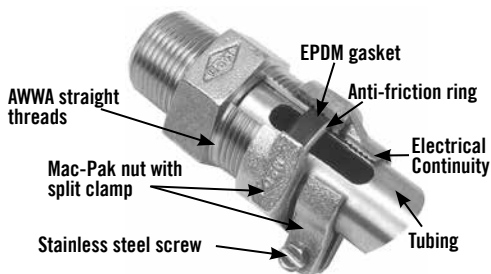
4700TA
Option for "T" Nut
For this feature add "A" to the Model No.: 74701T = **74701TA**. Available for 3/4" & 1" only.

*Insert stiffeners are required on all flexible plastic connections. **NOTE: Materials meet or exceed A.W.W.A. Standard C-800.**

Mac-Pak Compression -22, -33, -44, -55, -66, -67, and -68 Compression

Copper tube or CTS PE ("22"), PEP ("33"), PVC (-44), IP (-55), strong lead (-66), extra strong lead (-67) or double extra strong lead (-68) is stabbed thru nut and gasket/friction ring assembly to stab depth. The nut is tightened to the required torque (see recommended torque chart for Mac-Pak Compression), which compresses the EPDM gasket, which creates a water-tight seal. The stainless steel screw is tightened to the required torque (see chart), for pull-out strength.

Iron pipe (-55) is stabbed thru nut and gasket/friction ring assembly to stab depth. The nut is tightened to the required torque, which compresses the EPDM gasket, which creates a water-tight seal. The stainless steel screw or screws are tightened to the required torque, for pull-out strength.



- Insert tubing or plastic pipe through the nut assembly into the machined socket in the valve or fitting.*
- Wrench tighten the Mac-Pak nut securely onto the valve or fitting compressing the EPDM seal around the pipe or tubing, creating a water-tight seal using the information from the Recommended Torque Chart.
- Secure the split clamp onto the pipe or tubing by tightening the stainless steel bolt on the side of the clamp using the information from the Recommended Torque Chart. Machined grooves in the split clamp provide additional gripping and electrical continuity.
- Mac-Pak couplings are coded as follows:
 -22 SERIES - Tube size copper or P.E.* -- CTS
 -33 SERIES - Pipe size P.E.* PEP
 -44 SERIES - P.V.C. -- PVC
 -55 SERIES - Steel pipe -- IP
 -66 SERIES - Strong lead pipe -- S
 -67 SERIES - Extra strong lead pipe -- XS
 -68 SERIES - Extra, extra strong lead pipe -- XXS

Recommended Torque Chart for Mac-Pak Compression Nuts

Tighten to the following minimum torques: "-22", "-33", "-34", "-44", "-55" Compression

For nut size:	1/2" 20 ft-lbs	1" 30 ft-lbs	1 1/2" 40 ft-lbs
	3/4" 25 ft-lbs	1 1/4" 35 ft-lbs	2" 45 ft-lbs

For soft copper, PVC, polybutylene, and polyethylene tubing, the torques to which the clamp side screw should be tightened are as follows (NOTE CHANGE IN UNIT OF MEASURE):

For clamp screw:	1/2" 70-80 in-lbs	1" 90-100 in-lbs	1 1/2" 160-180 in-lbs
	3/4" 80-90 in-lbs	1 1/4" 120-140 in-lbs	2" 200-220 in-lbs

For hard copper tubing, brass and steel pipe, the torques to which the clamp side screw should be tightened to are as follows (NOTE CHANGE IN UNIT OF MEASURE):

For clamp screw:	1/2" 70-80 in-lbs	1" 65-90 in-lbs	1 1/2" 160-180 in-lbs
	3/4" 80-90 in-lbs	1 1/4" 120-140 in-lbs	2" & 2 1/2" 200-220 in-lbs

Lead Mac-Pak Comp. "-66", "-67", "-68" Compression

For nut size:	1/2" 20 ft-lbs	1" 30 ft-lbs	1 1/2" 40 ft-lbs	2" 50 ft-lbs
	3/4" 25 ft-lbs	1 1/4" 35 ft-lbs	1 3/4" 45 ft-lbs	2 1/2" 55 ft-lbs

NOTE CHANGE IN UNIT OF MEASURE

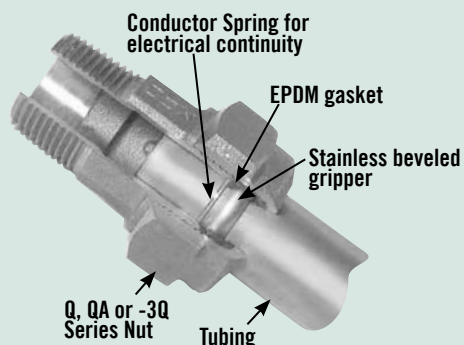
For clamp screw:	1/2" 70-80 in-lbs	1" 75-85 in-lbs	1 1/2" 160-180 in-lbs
	3/4" 80-90 in-lbs	1 1/4" 120-140 in-lbs	2" 160-180 in-lbs

DO NOT OVERTIGHTEN

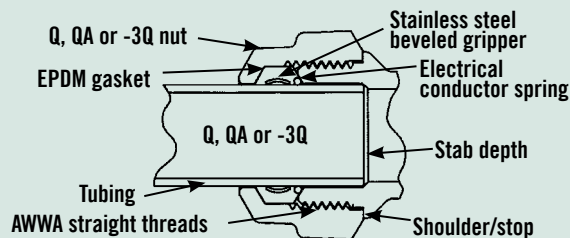
NOTE: "T" Compression, Mac-Pak -22, McQuik "Q", C903 "K", McGrip "G", and Handy-Loc "H" nuts have the same threads and are interchangeable. Except where noted.

McQuik Compression - Q, QA, and -3Q Series

Copper tube, CTS PE (Q), QA or PEP (-3Q) is stabbed through the nut and gasket/friction ring assembly to stab depth. The Q, QA or -3Q nut is tightened to the stop/shoulder on the body, which compresses the EPDM gasket and stainless steel beveled gripper, which creates a water-tight seal and pull-out strength. The electrical conductor spring makes positive contact between the copper tubing and the brass nut/fitting. When using with CTS PE (Q) QA or PEP (-3Q), the electrical conductor spring becomes purposeless.



4700QA
Option for "Q" Nut



"A" Anode,
Thaw Wire, Tracer Wire
Option for "Q" Nut

For QA feature add "A" to the Model No.: 74701Q = 74701QA.
Available for 3/4", 1", 1 1/4", 1 1/2", & 2".

NOTE: "T" Compression, Mac-Pak -22, McQuik "Q", C903 "K", McGrip "G", and Handy-Loc "H" nuts have the same threads and are interchangeable.

Any Q Series connection can be changed to a **C903 Connection**. Replace the "Q" in the model number with a "K." 3/4" or 1" only.

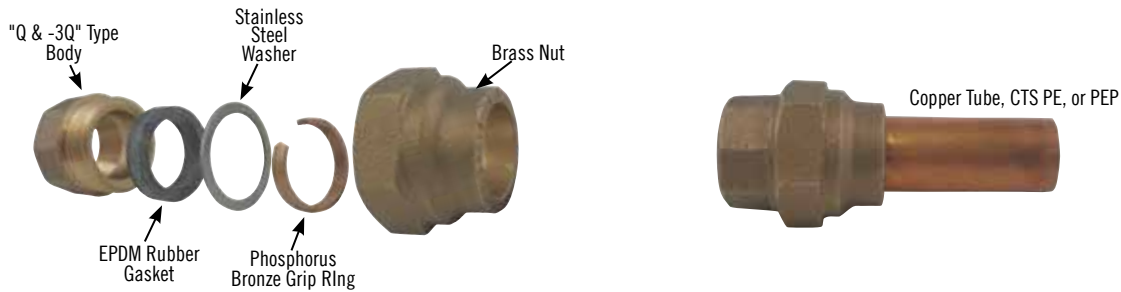


Aluminum Core Tube

*Insert stiffeners are required on all flexible plastic connections. **NOTE:** Materials meet or exceed A.W.W.A. Standard C-800.

McGrip - G & -3G Series

Copper tube, CTS PE (G & -3G) is stabbed through the nut and grip ring/friction ring and gasket assembly to stab depth. The G & -3G nut is tightened to the stop/shoulder on the body, which compresses the EPDM gasket and phosphorus bronze gripper, which creates a water-tight seal and pull-out strength.



The New "McGrip" Series from A.Y. McDonald Mfg. Co. is a CTS and PEP Compression connection that is available in 3/4", 1", 1 1/4", 1 1/2" and 2" sizes.

This connection can be utilized on all A.Y. McDonald Mfg. Co. McQuik series end connections by removing the "Q or -3Q" Compression assembly and replacing it with the "G or -3G" assembly.

The brass nuts are made from C83600 ASTM B584 brass along with EPDM rubber gasket, Stainless steel washer and Phosphorus Bronze grip ring.

For use with Copper tube, ("K" & "L" Hard or Soft) or CTS PE (ASTM D2737 SDR 9) with appropriate Insert Stiffener.

For use with PEP (ASTM D2662 SIDR 7) with Model 6136 Insert Stiffener.

Features:

- Large wrench flats for easier installation
- Tighten to Shoulder Stop
- Interchangeability with any A.Y. McDonald Mfg. Co. McQuik Series

NOTE: "T" Compression, Mac-Pak -22, McQuik "Q", C903 "K", McGrip "G", and Handy-Loc "H" nuts have the same threads and are interchangeable. Except where noted.

To Order:

- Replace the "Q" in our model number with a "G" to get the McGrip. I.E. 74754Q 1" converts to 74754G 1".
- Replace the "3Q" in our model number with a "3G" to get the PEP McGrip. I.E. 74754-3Q 1" converts to 74754-3G 1".
- Same price as "3Q" Series.

Handy-Loc - H & -3H Series

A.Y. McDonald is pleased to announce the release of the interchangeable Handy-Loc Series Compression Nut (H and -3H.) The Handy-Loc is available for use with the 3/4" and 1" CTS (ASTM D2737 SDR 9) and PEP (ASTM D2239 SIDR 7) tubing and can be disengaged from the pipe without the need for any special tools. The Handy-Loc comes pre-assembled to Q or -3Q end connection at required torque, so additional installation is not required. Just chamfer and stab in tube to required depth, pull to set the grip ring, and test assembly.

The Handy-Loc doesn't require or allow an insert stiffener and is available anywhere a McDonald 3/4" or 1" Q or -3Q exists. Also, available on valves, meter setters, and couplings - the Handy-Loc allows for cross compatibility between the nuts of McDonald fittings which reduces stock and eliminates the need for an adaptor.



Features:

- Chamfering tools create smooth and uniform leading edge.
- The tool is provided with a hole to facilitate live installations.
- Cast brass meets current revision of AWWA C800 Specification.
- Grip rings are color coded for easy identification (Red = CTS, White = PEP).
- Each fitting is plainly marked (3/4" CTS, 3/4" PEP, etc.)

Outlet Connections



Flare

-22, -33, -34, -44
-66, -67, -68

-22FT
(1 1/2" & 2")

G & -3G

GFT
(1 1/2" & 2")

H & -3H

Q & -3Q

T

TFT
(1 1/2" & 2")

-55

Flaring & Re-rounding

TOOL INSTRUCTIONS

WARNING - THE FOLLOWING INSTRUCTIONS MUST BE READ AND FOLLOWED AT ALL TIMES.
IMPORTANT - ALWAYS WEAR SAFETY GOGGLES WHEN WORKING WITH THIS TOOL.

Chamfer Tool

Sizes Available -
3/4", 1"



4772 - CTS, 4773 - PEP,
4773R - Replacement Blades

1. Use a tube cutter to assure a square end. Make sure tube is round. Surface should be clean and free of nicks.
2. Use chamfer tool to bevel lead edge of tubing, do NOT lubricate tubing or use an insert stiffener.

Re-rounding

Sizes Available -
3/4", 1", 1 1/4", 1 1/2", 2"



4774FR

1. Cut copper tubing with appropriate wheel-type cutter. Be sure cut is square.
2. De-burr inside of cut tube (some cutters are equipped with de-burring tool).
3. Insert tapered end of tool into copper tubing.
4. Hit the tool end with soft face brass hammer to drive it into tube (steel hammers are not recommended). Drive only to within 1/2" of flare part of tool.

Flaring

Sizes Available -
3/4", 1", 1 1/4", 1 1/2", 2"



4775N

1. Cut copper tubing with appropriate wheel-type cutter.
2. De-burr inside of cut tube (some cutters are equipped with de-burring tool).
3. Put flared tube nut onto tubing.
4. Grease shoulder and shank of tool (use potable grease).
5. Insert tapered end of tool into copper tubing.
6. Drive tool into copper tube using soft face brass hammer (steel hammers are not recommended).
7. Rotate tool continuously and slide tube nut up to flare after each series of driving flare tool into tube.
8. Continue to flare tube until flare is snug inside tube nut. Tube nut should still spin freely by hand.
9. If tube cracks, or flare is unusable, re-cut tube and start over.

THESE ARE ONLY COMMON INSTRUCTIONS FOR RE-ROUNDING AND FLARING COPPER TUBING.
THE MANUFACTURER DOES NOT GUARANTEE, AND IS NOT RESPONSIBLE FOR ANY LOSS OR DAMAGE AS A RESULT OF THESE INSTRUCTIONS.

Wrench on Brass Valves & Fittings



Do NOT use a pipe
wrench with serrated jaws



Use a wrench with
smooth jaws

Insert Stiffeners

Insert Stiffeners required on all flexible plastic connections

Materials meet or exceed AWWA standard C800

6131T • PLASTIC
For copper tube size polyethylene



Sizes: 3/4", 1"

POLYETHYLENE - ASTM D2737 SDR 9 - TUBE SIZE
PEX TUBING - ASTM F876 - SDR 9 - CSA B137.5
POLYBUTYLENE - ASTM D2666 SDR 9 - TUBE SIZE - CLASS 250

6133T • STAINLESS STEEL
For copper tube size polyethylene



Sizes: 3/4", 1", 1 1/4", 1 1/2", 2"

6136 • STAINLESS STEEL
For ID PEP SIDR7 & 9 controlled



Sizes: 3/4", 1", 1 1/4", 1 1/2", 2"

POLYBUTYLENE - ASTM D2662 SIDR 7 - or
POLYETHYLENE - ASTM D2239 SIDR 7 & 9 - PIPE SIZE

6137 • STAINLESS STEEL
For OD controlled PEP SDR9



Sizes: 3/4", 1", 1 1/4", 1 1/2", 2"

POLYETHYLENE - ASTM D3035 SDR 9 - OD CONTROLLED PIPE SIZE

6138 • STAINLESS STEEL
For OD controlled PEP SDR11



Sizes: 3/4", 1", 1 1/4", 1 1/2", 2"

POLYETHYLENE - ASTM D3035 SDR 11 - OD CONTROLLED PIPE SIZE

6131T

Plastic

Size	Carton PCS/WT	Price
3/4"	50/1	\$ 1.64
1"	50/1	\$ 2.27

6133T

Stainless Steel

Size	Carton PCS/WT	Price
3/4"	50/2	\$ 2.32
1"	50/3	\$ 2.46
1 1/4"	50/4	\$ 3.03
1 1/2"	50/4	\$ 3.39
2"	50/6	\$ 3.39

6136

Stainless Steel

Size	Carton PCS/WT	Price
3/4"	50/3	\$ 2.63
1"	50/4	\$ 3.03
1 1/4"	50/5	\$ 4.50
1 1/2"	50/6	\$ 3.39
2"	50/7	\$ 5.42

6137

Stainless Steel

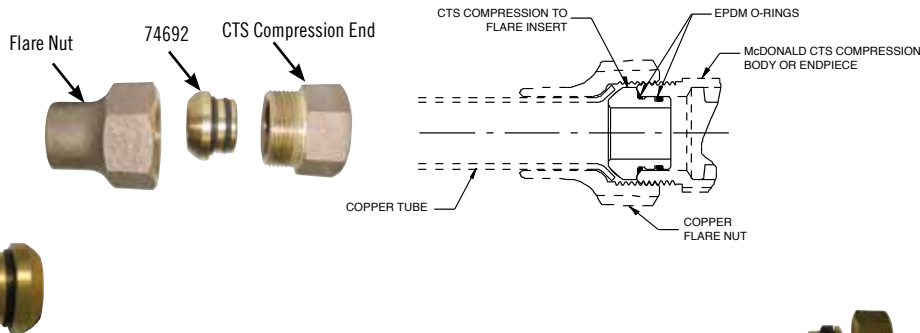
Size	Carton PCS/WT	Price
3/4"	50/3	\$ 2.32
1"	50/4	\$ 2.46
1 1/4"	50/5	\$ 4.95
1 1/2"	50/7	\$ 5.31
2"	50/8	\$ 6.00

6138

Stainless Steel

Size	Carton PCS/WT	Price
3/4"	50/3	\$ 2.32
1"	50/3	\$ 2.46
1 1/4"	50/6	\$ 4.95
1 1/2"	50/7	\$ 5.31
2"	50/8	\$ 6.00

Compression Adaptors & Plugs



74692

Converts 3/4" CTS Compression to 3/4" Flare
Converts 1" CTS Compression to 1" Flare
Converts 1 1/4" CTS, & 1" PEP Compression to 1 1/4" Flare

Size	Carton PCS/WT	Price
3/4"	25/2	\$ 17.09
1"	10/3	\$ 21.27
1 1/4"	10/5	\$ 126.19

74692CPLL

Converts 1 1/2" CTS Compression to 1 1/2" Flare

Size	Carton PCS/WT	Price
1 1/2"	10/20	\$ 114.98

74693

CTS Compression Plug Plugs 3/4" & 1" CTS

Size	Carton PCS/WT	Price
3/4"	10/4	\$ 47.50
1"	10/6	\$ 51.61

74692Q

Size	Carton PCS/WT	Price
1" x 3/4"	1/1	\$ 38.92

74692CPLL-16

Converts 1 1/2" CTS Compression to 1 1/2" Flare

Size	Carton PCS/WT	Price
1 1/2"	10/20	\$ 114.98

74692PEP

Converts 3/4" PEP Compression to 1" Flare

Size	Carton PCS/WT	Price
3/4"	10/3	\$ 21.27

74692T

Size	Carton PCS/WT	Price
1" x 3/4"	1/1	\$ 38.92

74692CPLQ

Size	Carton PCS/WT	Price
2" x 1 1/2"	10/31	\$ 152.60

74694-33-22

Converts 3/4" PEP to 1" CTS Compression

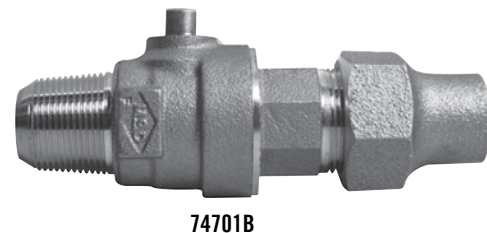
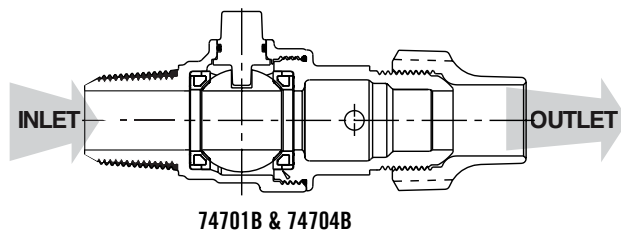
Size	Carton PCS/WT	Price
3/4" x 1"	10/46	\$ 89.04

Ball Style Corporation Valves

A.Y. McDonald Ball Valve Corporation Stops come standard with 360° operating head and are designed for low turning torques and high pressures (300 PSIG). The PTFE coated brass ball is supported by two blow-out proof EPDM seals. The end piece joint is sealed with an EPDM o-ring and thread locker. There is no metal-to-metal contact which causes high torques. The bubble-tight feature at 300 PSIG makes these valves a better choice than a plug valve when test or operating pressures over 100 PSIG are expected. All McDonald Ball Valve Corporation Stops are available with a wide variety of end connections. They are manufactured to meet or exceed the AWWA C800 (latest revision) standard, except where noted.

Rated for 300 PSIG

- Corporation stops with 360° operating head - standard
- For additional outlet connection options, see page 16.



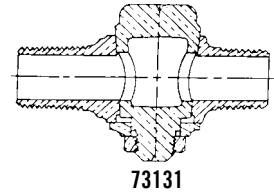
ADDITIONAL OPTIONS

- For companion couplings for flare end, refer to the Service Fitting section.
 - Flare Thread Outlet (FT), 1 1/2" & 2" -22, G, T
 - + 74701B-44, 74704B-44 1" x 1 1/2", AWWA, MNPT x PVC Compression does not meet AWWA C800 envelope requirements. Will not fit in tapping machines.
 - + 74701B, Size 1" x 1 1/4", AWWA x Flare ONLY does not meet AWWA C800 envelope requirements. Will not fit in tapping machines.
- BCAP = Ball Valve with optional removable operating head.
 BDB = Dielectric Bushing assembled water tight (may not fit tapping and drilling machines)
 BBSP = British Standard Par 161 pipe thread.
 PITO = Corp Stop with Pito Tube inlet.

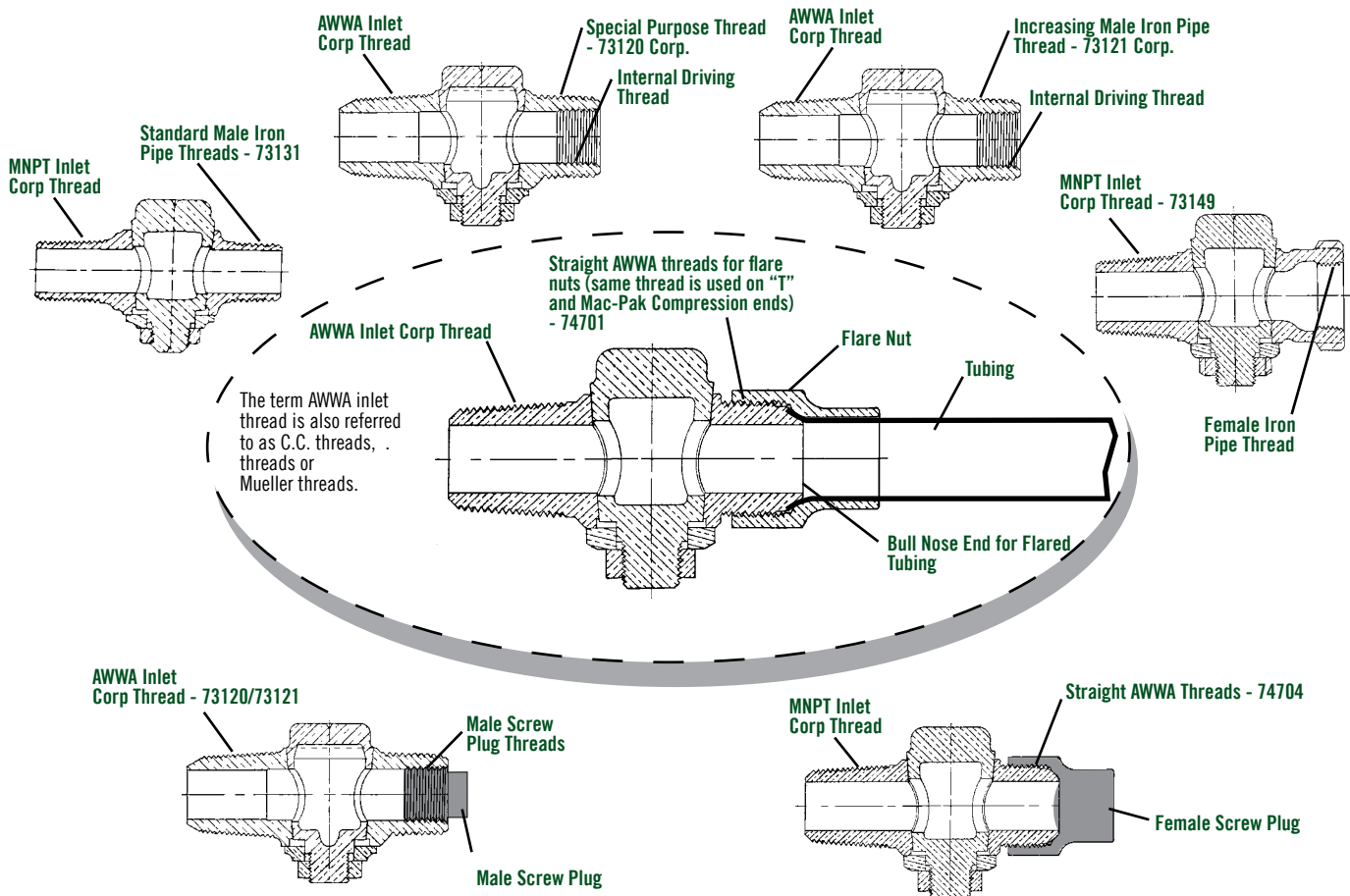
Plug Style Corporation Stops

Plug Corps

A.Y. McDonald Plug Style Corporation Stops are precision machined to assure a perfect match between the plug and the body. This same machining precision carries over to the threads to assure A.Y. McDonald's high quality. Corporation stops come standard with 360° operating head. Pressure ratings are: 100 PSIG for 1/2", 3/4", 1" and 80 PSIG for 1 1/4", 1 1/2", 2".



- All A.Y. McDonald Corporation Stops are pressure tested prior to packaging.
- All A.Y. McDonald Corporation Stops are designed to be used with all known tapping and drilling machines.
- "Reclaimed Water" marking available. Contact factory.
- For drilling and tapping machine adapters, see pages 22-23.
- Assembly is shipped with a color coded inlet thread protector - Green for AWWA/CC threads, Yellow for AWWA MNPT.
- **NOTE: Materials meet or exceed A.W.W.A. standard C800.**



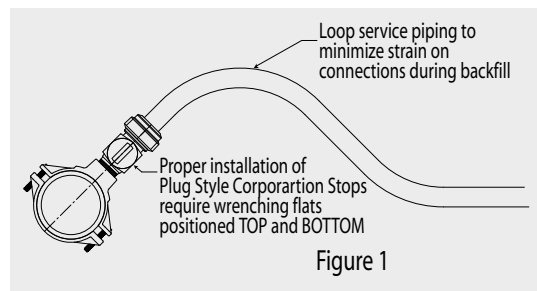
- A.Y. McDonald "Q", "T", "G", "H", C903-"K", Mac-Pak "-22" 3/4", 1" and 1 1/4" Q series Compression and flare outlets use the same female screw plug. 1 1/2" and 2" Q Series use special female screw plug.
- 3/4" and 1" "-33", "-44", "-55", and 1 1/2" "-33" are one size larger thread. Example: 3/4" "-33" is 1" AWWA flare nut thread. See charts pages 22-23.

Engineering

A.Y. McDonald waterworks products are designed for reliable service. Like all brass products, however, they can be damaged by improper handling and use.

CAUTION:

1. **PROTECT THREADS** Nicks or distorted threads, especially on tapered threads, can cause leaks.
2. **USE A GOOD THREAD SEALANT** where threads are intended to provide a leak-proof connection. Do not overtighten.
3. **DO NOT** use Vaseline®, plumber's grease, or any other petroleum product on seals or o-rings.
4. **USE ONLY A SMOOTH JAWED ADJUSTABLE WRENCH** on the flats provided nearest the thread being made up. Serrated pipe wrenches apply a loose, improper fit that can distort the body and cause a leak, especially on valves.
5. Plug style corp valves should be installed so that the wrenching flats of a tightened valve are positioned top and bottom (see Figure 1).
6. **AVOID DROPPING** or the use of a hammer on any plug or key type valve. Impacts, causing dents or distortion, can cause leaks by unseating the plug portion of the valve.
7. **PRESSURE TEST** for leaks before backfilling.
8. **FIELD TESTING** Special high pressure field testing may require capping the outlet of corporation stops, curb stops and angle meter stops.
9. **HIGH PRESSURE INSTALLATION** Standard AWWA tapered plug valves are intended for not more than 100 PSIG water in sizes 1/2", 3/4" and 1" and 80 PSIG water for 1-1/4", 1-1/2" and 2" valves. If used for gas service, the maximum Pressure for all-brass plug valves is 25 PSIG.
10. **BACKFILL CAREFULLY** to avoid damage to the service line and connections. Loop service piping on corporation connections to minimize strain on the body and connections (See Figure 1).
11. Use extra care with high water pressures (over 100 PSIG) and pipe or tubing over 1". Consult factory if desired.
12. Keep valve clean and free from dirt and debris.
13. Protect valve from freezing, which may distort valve. In the event the valve does freeze, do not forcibly try to open or close the valve while the valve is frozen. This may destroy the valve.
14. If valve has compression style connection, read connection instruction sheet prior to installation.
15. All valves must be operated in the fully opened or fully closed position. Attempts to throttle flow by operating the valve in a partially open position may destroy the valve.



NOTE: For corps with C903 ends, remove C903 adaptor prior to drilling. Reassemble C903 adaptor to corp after drilling. Inspect all o-rings for damage prior to reassembly.

NOTE: For installations having pressures in excess of 100 PSIG (1/2", 3/4" and 1" corp stops) or 80 PSIG (1-1/4", 1-1/2" and 2" corp stops), the use of McDonald "ball-style" corporation stops is recommended. Ball corporations are for use with water only and are rated at 300 PSIG water pressure.

DAMAGE CAUSED BY IMPROPER USE AND HANDLING WILL VOID OUR WARRANTY.

Recommended Wrenching on Brass Valves and Fittings



Drilling Machine Adapters

Maximum Size Drills to be used with A.Y. McDonald Corporation Stops - Per AWWA C-800 Table 1

CORPORATION SIZE	1/2"	5/8"	5/8" x 3/4"	3/4"	3/4" x 1"	1"	1 1/4"	1 1/2"	2"
Corp Stop with AWWA Thread Inlet	7/16"	9/16"	9/16"	11/16"	11/16"	15/16"	1 3/16"	1 7/16"	1 7/8"
Corp Stop with I. P. Thread Inlet	7/16"	--	--	11/16"	11/16"	7/8"	1 1/8"	1 7/16"	1 3/4"

*Threads per AWWA C-800, Table 4

CORPORATION MODEL / SIZE				OUTLET THREADS*	MUELLER DRILLING MACHINES E-4 & E-5	D-4 & D-5	ROMAC TAPMATE TOO	HAYS DRILLING MACHINES 5930		5935	FORD DRILLING MODEL 77	REED DRILLING DM1000 & 2000	DMPVC	RIDGID RT 1000 RT 3422 MLT 3401			SIMTAP			
74701-22	5/8 x 3/4	74701B-22	3/4	74704T	3/4	74701G	3/4	52019	37902	351-05-506	354-05-506	355-05-506	DMA2-3	08423	04426	83317	76057	92097	116A	
74701T	5/8 x 3/4	74701BQ	3/4	74704B-22	3/4	74704G	3/4													
74701-22	3/4	74701BT	3/4	74704BQ	3/4	74701BG	3/4													
74701Q	3/4	74704-22	3/4	74704BT	3/4	74704BG	3/4													
74701T	3/4	74704Q	3/4																	
74701-33	3/4	74701B-55	3/4	74704Q	1	74701-3G	3/4	36750	37903	351-05-508	354-05-508	355-05-508	DMA2-4	08424	04427	83322	76067	92012	117A	
74701-3Q	3/4	74701B-22	3/4 x 1	74704T	3/4 x 1	74704-3G	3/4													
74701-44	3/4	74701B-22	1	74704T	1	74701B-3G	3/4													
74701-55	3/4	74701BQ	1	74704B-33	3/4	74704B-3G	3/4													
74701-22	3/4 x 1	74701BT	3/4 x 1	74704B-3Q	3/4	74701G	1													
74701-22	1	74701BT	1	74704B-44	3/4	74704G	1													
74701Q	1	74704-33	3/4	74704B-55	3/4	74701BG	1													
74701T	3/4 x 1	74704-3Q	3/4	74704B-22	3/4 x 1	74704BG	1													
74701T	1	74704-44	3/4	74704B-22	1															
74701B-33	3/4	74704-55	3/4	74704BQ	1															
74701B-3Q	3/4	74704-22	3/4 x 1	74704BT	3/4 x 1															
74701B-44	3/4	74704-22	1	74704BT	1															
74701-33	1	74701B-44	1	74704-22	1 1/4	74701-3G	1													45385
74701-3Q	1	74701B-55	1	74704Q	1 1/4	74704-3G	1													
74701-44	1	74701B-22	1 x 1 1/4	74704T	1 x 1 1/4	74701B-3G	1													
74701-55	1	74701BQ	1 x 1 1/4	74704T	1 1/4	74704B-3G	1													
74701-22	1 x 1 1/4	74701BT	1 x 1 1/4	74704B-33	1	74701BG	1 x 1 1/4													
74701-22	1 1/4	74704-33	1	74704B-3Q	1	74701G	1 1/4													
74701Q	1 1/4	74704-3Q	1	74704B-44	1	74704G	1 1/4													
74701T	1 x 1 1/4	74704-44	1	74704B-55	1															
74701T	1 1/4	74704-55	1	74704B-22	1 x 1 1/4															
74701B-33	1	74704-22	1 x 1 1/4	74704BT	1 x 1 1/4															
74701B-3Q	1																			
74701Q	1 1/2	74701T	1 1/2	74704Q	1 1/2	74704G	1 1/2	501949	507644	351-05-712	--	--	DMA4-6-Q	--	--	--	84007	92157	121A	
74701BQ	1 1/2	74701B-22	1 1/2	74704BQ	1 1/2	74701BG	1 1/2													
74701-22	1 1/2	74701BT	1 1/2	74701G	1 1/2	74704BG	1 1/2													
74701Q	2	74701B-22	1 1/2 x 2	74704B-22	1 1/2 x 2	74701G	2	508199	507645	351-05-716	--	--	DMA4-7-Q	--	--	--	84012	92162	124A	
74701BQ	2	74701BT	1 1/2 x 2	74704BT	1 1/2 x 2	74704G	2													
74701-22	2	74704-22	2	74704Q	2	74701BG	2													
74701T	2	74704T	2	74704BQ	2	74704BG	2													
74701B-22	2	74704B-22	2																	
74701BT	2	74704BT	2																	
74701-22FT	1 1/2	74701B-44	1 1/2	74704B-22FT	1 1/2			501947	37905	351-05-512	--	355-05-512	DMA2-6	08425	--	--	76077	92112	120A	
74701TFT	1 1/2	74704-22FT	1 1/2	74704BTFT	1 1/2															
74701B-22FT	1 1/2	74704TFT	1 1/2	74704B-44	1 1/2															
74701BTFT	1 1/2																			
74701B-33	1 1/2	74701BTFT	2	74704-22FT	2			508201	37906	351-06-516	--	355-37	DMA2-7	08426	--	--	76082	92117	123A	
74701B-22FT	1 1/2 x 2	74701B-33	2	74704TFT	2															
74701BTFT	1 1/2 x 2	74701B-44	2	74704B-22FT	2															
74701-22WFT	2	74704B-33	1 1/2	74704BTFT	2															
74701TFT	2	74704B-22FT	1 1/2 x 2	74704B-33	2															
74701B-22FT	2	74704BTFT	1 1/2 x 2	74704B-44	2															

Tapping Machine Adapters

CORPORATION MODEL / SIZE				OUTLET THREADS*	MUELLER TAPPING MACHINES			HAYS TAPPING MACH. NO. B-1	REED CDTM1000 & 2000; TM1000	RIDGID MLT3401							
					NO. B-100 & B-101	NO. B	NO. A-2 & A-3										
74701-22	5/8 x 3/4		74701G	3/4	3/4" Copper	680600	680600	680600	353-06-106	98423	92182						
74701T	5/8 x 3/4		74704G	3/4													
74701-22	3/4	74704-22	3/4	74701BG								3/4					
74701Q	3/4	74704Q	3/4	74704BG								3/4					
74701T	3/4	74704T	3/4														
74701B-22	3/4	74704B-22	3/4														
74701BQ	3/4	74704BQ	3/4														
74701BT	3/4	74704BT	3/4	74701-3G								3/4					
74701-33	3/4	74704-33	3/4	74704-3G	3/4	1" Copper	680601	680601	353-06-108	98424	92187						
74701-3Q	3/4	74704-3Q	3/4	74701B-3G	3/4												
74701-44	3/4	74704-44	3/4	74704B-3G	3/4												
74701-55	3/4	74704-55	3/4	74701G	1												
74701-22	3/4 x 1	74704-22	3/4 x 1	74704G	1												
74701-22	1	74704-22	1	74701BG	1												
74701Q	1	74704Q	1	74704BG	1												
74701T	3/4 x 1	74704T	3/4 x 1														
74701T	1	74704T	1														
74701B-33	3/4	74704B-33	3/4														
74701B-3Q	3/4	74704B-3Q	3/4														
74701B-44	3/4	74704B-44	3/4														
74701B-55	3/4	74704B-55	3/4														
74701B-22	3/4 x 1	74704B-22	3/4 x 1														
74701B-22	1	74704B-22	1														
74701BQ	1	74704BQ	1														
74701BT	3/4 x 1	74704BT	3/4 x 1	74701-3G	1												
74701BT	1	74704BT	1	74704-3G	1												
74701-33	1	74704-33	1	74701B-3G	1	1 1/4" Copper	680602	--	680602	353-06-110	--						
74701-3Q	1	74704-3Q	1	74704B-3G	1												
74701-44	1	74704-44	1	74701BG	1x1 1/4												
74701-55	1	74704-55	1	74701G	1 1/4												
74701-22	1 x 1 1/4	74704-22	1 x 1 1/4	74704G	1 1/4												
74701-22	1 1/4	74704-22	1 1/4														
74701Q	1 1/4	74704Q	1 1/4														
74701T	1 x 1 1/4	74704T	1 x 1 1/4														
74701T	1 1/4	74704T	1 1/4														
74701B-33	1	74704B-33	1														
74701B-3Q	1	74704B-3Q	1														
74701B-44	1	74704B-44	1														
74701B-55	1	74704B-55	1														
74701B-22	1 x 1 1/4	74704B-22	1 x 1 1/4														
74701BQ	1 x 1 1/4	74704BT	1 x 1 1/4														
74701BT	1 x 1 1/4		74701G	1 1/2													
74701Q	1 1/2	74704Q	1 1/2	74704G	1 1/2							1 1/2" Special	--	--	680421	--	--
74701BQ	1 1/2	74704BQ	1 1/2	74701BG	1 1/2												
74701-22	1 1/2	74704-22	1 1/2	74704BG	1 1/2												
74701T	1 1/2	74704T	1 1/2														
74701B-22	1 1/2	74704B-22	1 1/2	74701G	2												
74701BT	1 1/2	74704BT	1 1/2	74704G	2												
74701Q	2	74704Q	2	74701BG	2	2" Special	--	--	680422	--	--						
74701BQ	2	74704BQ	2	74704BG	2												
74701-22	2	74704-22	2														
74701T	2	74704T	2														
74701B-22	2	74704B-22	2														
74701BT	2	74704BT	2														
74701B-22	1 1/2 x 2	74704B-22	1 1/2 x 2														
74701BT	1 1/2 x 2	74704BT	1 1/2 x 2														
74701-22FT	1 1/2	74704-22FT	1 1/2			1 1/2" Copper	--	--	88640	--	--						
74701TFT	1 1/2	74704TFT	1 1/2														
74701B-22FT	1 1/2	74704B-22FT	1 1/2														
74701BTFT	1 1/2	74704BTFT	1 1/2														
74701B-44	1 1/2	74704B-44	1 1/2														
74701B-33	1 1/2	74704B-33	1 1/2			2" Copper	--	--	88641	--	--						
74701B-22FT	1 1/2 x 2	74704B-22FT	1 1/2 x 2														
74701BTFT	1 1/2 x 2	74704BTFT	1 1/2 x 2														
74701-22FT	2	74704-22FT	2														
74701TFT	2	74704TFT	2														
74701B-22FT	2	74704B-22FT	2														
74701BTFT	2	74704BTFT	2														
74701B-33	2	74704B-33	2														
74701B-44	2	74704B-44	2														

Repair Parts

IPS & C900 PVC Pipe | Ductile Iron Pipe | Ductile Iron Body Saddle - DI & PVC Pipe

Engineering

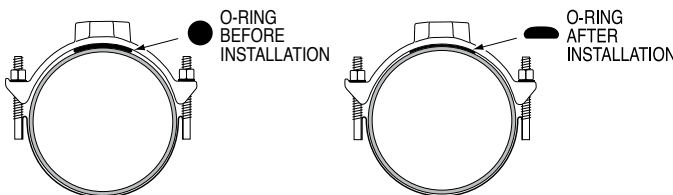


For IPS PVC pipe all brass TWO BOLT saddles (Schedule 40 or 80)



Ductile Iron Body Saddles for C900 PVC Pipe

MODEL	PIPE SIZE	TAP SIZE	ORDER PART NO.	MODEL	PIPE SIZE	TAP SIZE	ORDER PART NO.
3801	2" - 8"	1/2" - 1"	3100-906 Screw	3835	4" - 12"	1/2" - 2"	4148-660 Nut 4148-573 Washer
3802				3836			
3805				3845			
3806				3846			
3801	4"	1 1/2" - 2"	3100-908 Screw	3855			
3802				3856			
3805				4815A			
3806				4816A			
3801	10" - 12"	1/2" - 2"	3100-915 Screw	4825A			
3802				4826A			
3805				4835A			
3806				4836A			
3815	4" - 16"	1/2" - 2"	4148-537 Screw	4845A			
3816				4846A			
3825A				4855A			
3825B				4856A			
3826				3891			
3826A				3892			
3826B	3895						
				3896	2" - 8"	1/2" - 2"	3100-911 Screw



These saddles come standard with a heavy duty EPDM O-ring gasket that is adhered to the saddle to insure a positive seal equal to, but not exceeding, the pressure rating of the pipe, up to 200 PSIG.

2 Piece Saddle - 3801, 3802, 3805, 3806

- Saddles should be installed after pipe pressure testing is completed.
- Use only on PVC pipe. Make sure you have proper type and size of saddle for pipe. Reference pipe diameter, tap size and identification located on each saddle.
- Make sure saddle sealing surface on the pipe is clean, free of "nicks", gouges, or other imperfections that could cause leakage.
- DO NOT use Vaseline®, plumber's grease, or any other petroleum based product on seals or o-rings.
- Place saddle outlet and band around pipe and attach together loosely using capscrews into tapped holes. Then rotate the saddle into desired position.
- A.Y. McDonald saddles are NOT designed to bottom out.**
Alternating between each bolt, tighten to the following torques:

FOR 3/4" AND 1" THREAD SIZE OUTLETS:**2", 2-1/2", and 3" pipe - 4 - 5 FOOT-POUNDS.**

(approx. 4 to 5 lbs. pull on 12" wrench)

4", 6", and 8" pipe - 5 - 6 FOOT-POUNDS.

(approx. 5 to 6 lbs. pull on 12" wrench)

10" and 12" pipe - 24 - 26 FOOT-POUNDS.

(approx. 24 to 26 lbs. pull on 12" wrench)

FOR 1-1/2" AND 2" THREAD SIZE OUTLETS:**4" and 6" pipe - 13 - 15 FOOT-POUNDS.**

(approx. 13 to 15 lbs. pull on 12" wrench)

8" pipe - 17 - 19 FOOT-POUNDS.

(approx. 17 to 19 lbs. pull on 12" wrench)

10" and 12" pipe - 24 - 26 FOOT-POUNDS.

(approx. 24 to 26 lbs. pull on 12" wrench)

- Overtightening can cause failure of saddle or bolt.**
- After the corporation stop has been installed, recheck saddle torque and tighten if necessary.
- McDonald saddles are designed to withstand water working pressure up to but not exceeding the working pressure rating of the pipe up to 200 PSIG maximum. **Use only on a cold water service.**
- Saddle testing should be accomplished while services are exposed and prior to backfilling.

3210-327

8/11

Stainless Steel Band Saddle -**3835, 3836, 3845, 3845A, 3845B, 3846, 3846A, 3846B, 3855, 3856, 4835A, 4836A, 4845A, 4846A, 4855A, 4856A**

- Whenever possible, saddles should be installed after pipe pressure testing is completed.
- Make sure the proper type and size saddle have been selected for the pipe.
NOTE: Both 10" and 12" saddles are available with multiple band and saddle top combinations. Make sure the pipe size lies in the ranges listed on the band/saddle top combination.
- Clean pipe surface thoroughly.
- DO NOT use Vaseline®, plumber's grease, or any other petroleum based product on seals or o-rings.
- Mount saddle on pipe with outlet facing desired direction.
- Tighten nuts evenly to a torque of 30-35 FOOT POUNDS.**
- Overtightening can cause failure of the pipe and/or the saddle.**
- After the corporation stop has been installed, recheck saddle torque and tighten if necessary.
- A.Y. McDonald stainless steel band saddles are designed to withstand water working pressure, up to but not exceeding, the working pressure rating of the pipe. **Use only on a cold water service.**
- Saddle testing should be accomplished while services are exposed and prior to backfilling.

3210-381

8/11

Hinged Saddle - 3891, 3892, 3895, 3896

- Saddles should be installed after pipe pressure testing is completed.
- Use only on PVC pipe.
- Make sure you have proper type and size of saddle for pipe. Reference pipe diameter range, tap size and identification located on each hinged saddle.
- Clean pipe surface thoroughly.
- DO NOT use Vaseline®, plumber's grease, or any other petroleum based product on seals or o-rings.
- Mount saddle on pipe with outlet facing desired direction.
- A.Y. McDonald hinged saddles are NOT designed to bottom out.**
Tighten bolts to the following torques:

3/4" and 1" thread size outlets:**2", 2 1/2", 3" pipe - 4 - 5 FOOT-POUNDS.**

(approx. 4 to 5 lbs pull on a 12" wrench)

4", 6", 8" pipe - 5 - 6 FOOT-POUNDS.

(approx. 5 to 6 lbs pull on a 12" wrench)

1 1/2" and 2" thread size outlets:**3", 4" pipe - 5 - 6 FOOT-POUNDS*.**

(approx. 5 to 6 lbs pull on a 12" wrench)

6", 8" pipe - 7 - 9 FOOT-POUNDS*.

(approx. 7 to 9 lbs pull on a 12" wrench)

*Be sure to alternate tightening of the 2 bolts to ensure even loading.

- Overtightening can cause failure of saddle, bolt or hinge pin.**
- After the corporation stop has been installed, recheck saddle torque and tighten if necessary.
- McDonald hinged saddles are designed to withstand water working pressure up to but not exceeding the working pressure rating of the pipe up to 200 PSIG maximum. **Use only on a cold water service.**
- Saddle testing should be accomplished while services are exposed and prior to backfilling.

3210-308

8/11

Bronze Single Band Saddle - 3815, 3816

- Whenever possible, saddles should be installed after pipe pressure testing is completed.
- Make sure you have proper type and size of saddle for pipe. Reference pipe diameter range, tap size and identification located on the top piece of each saddle.
- Do not use on PVC pipe.**
- Clean pipe surface thoroughly.
- DO NOT use Vaseline®, plumber's grease, or any other petroleum based product on seals or o-rings.
- Mount saddle on pipe with outlet facing desired direction.
- Tighten nuts evenly to a torque of 45-55 FOOT POUNDS.**
- After the corporation stop has been installed, recheck saddle torque and tighten if necessary.
- A.Y. McDonald single band saddles are designed to withstand water working pressure up to, but not exceeding, the working pressure rating of the pipe. **Use only on a cold water service.**
- Saddle testing should be accomplished while services are exposed and prior to backfilling.

3210-319

8/11

Bronze Double Band Saddle -**3825, 3825A, 3825B, 3826, 3826A, 3826B**

1. Whenever possible, saddles should be installed after pipe pressure testing is completed.
2. Make sure you have proper type and size of saddle for pipe. Reference pipe diameter range, tap size and identification located on each double band top.
3. Clean pipe surface thoroughly.
4. DO NOT use Vaseline®, plumber's grease, or any other petroleum based product on seals or o-rings.
5. Mount saddle on pipe with outlet facing desired direction.
6. **Tighten nuts evenly to a torque of 45-55 FOOT POUNDS.**
7. **Do not use on PVC pipe unless installation meets pipe manufacturers recommendations or approval. If used with PVC pipe - tighten nuts evenly to 30 foot pounds. Overtightening can cause failure of the pipe.**
8. After the corporation stop has been installed, recheck saddle torque and tighten if necessary.
9. A.Y. McDonald double band saddles are designed to withstand water working pressure up to but not exceeding the working pressure rating of the pipe. **Use only on a cold water service.**
10. Saddle testing should be accomplished while services are exposed and prior to backfilling.

3210-302

8/11

Steel Single Band Saddle - 4815A, 4816A

1. Whenever possible, saddles should be installed after pipe pressure testing is completed.
2. Make sure you have proper type and size of saddle for pipe. Reference pipe diameter range, tap size and identification located on the top piece of each saddle.
3. **Do not use on PVC pipe.**
4. Clean pipe surface thoroughly.
5. DO NOT use Vaseline®, plumber's grease, or any other petroleum based product on seals or o-rings.
6. Mount saddle on pipe with outlet facing desired direction.
7. **Tighten nuts evenly to a torque of 45-55 FOOT POUNDS.**
8. After the corporation stop has been installed, recheck saddle torque and tighten if necessary.
9. A.Y. McDonald single band saddles are designed to withstand water working pressure up to, but not exceeding, the working pressure rating of the pipe. **Use only on a cold water service.**
10. Saddle testing should be accomplished while services are exposed and prior to backfilling.

3210-379

8/11

Steel Double Band Saddle - 4825A,**4825B, 4826A, 4826B**

1. Whenever possible, saddles should be installed after pipe pressure testing is completed.
2. Make sure you have proper type and size of saddle for pipe. Reference pipe diameter range, tap size and identification located on each double band top.
3. Clean pipe surface thoroughly.
4. DO NOT use Vaseline®, plumber's grease, or any other petroleum based product on seals or o-rings.
5. Mount saddle on pipe with outlet facing desired direction.
6. **Tighten nuts evenly to a torque of 45-55 FOOT POUNDS.**
7. **Do not use on PVC pipe unless installation meets pipe manufacturers recommendations or approval. If used with PVC pipe - tighten nuts evenly to 30 foot pounds. Overtightening can cause failure of the pipe.**
8. After the corporation stop has been installed, recheck saddle torque and tighten if necessary.
9. A.Y. McDonald double band saddles are designed to withstand water working pressure up to but not exceeding the working pressure rating of the pipe. **Use only on a cold water service.**
10. Saddle testing should be accomplished while services are exposed and prior to backfilling.

3210-380

8/11

WARNING!

WARNING: It is unlawful in **CALIFORNIA & VERMONT** (effective 1/1/2010); **MARYLAND** (effective 1/1/2012); **LOUISIANA** (effective 1/1/2013) and the **UNITED STATES OF AMERICA** (effective 1/4/2014) to use any product in the installation or repair of any public water system or any plumbing in a facility or system that provides water for human consumption if the wetted surface area of the product has a weighted average lead content greater than 0.25%. This prohibition does not extend to service saddles used in California, Louisiana or under USA Public Law 111-380. **WARNING:** This product can expose you to chemicals including lead, which is known to the State of **CALIFORNIA** to cause cancer and birth defects or other reproductive harm. For more information go to: www.P65Warnings.ca.gov.

Pipe O.D. Chart

Nom. O.D.	IPS PVC/HDPE Steel Size O.D.	DIP PVC C900/C905 O.D.	Cast Iron		Asbestos - Cement				Steel		Copper
			Classes		O.D.	Class	Machined End O.D.	Rough-Barrel O.D. (Min-Max)	Type	O.D.	O.D.
Pit	Spun										
2"	2.38	2.50			2.50				STD	2.38	2.125
2 1/2"	2.88								STD	2.88	2.625
3"	3.50		A		3.80	100	3.74	4.00	O.D.	3.00	3.125
			B, C, D,	50 - 350	3.96	150	150	3.84	STD	3.50	3.125
						200	3.84	4.29			3.125
4"	4.50	4.80	A	50 - 350	4.80	100	4.64	4.79 - 5.14	O.D.	4.00	4.125
			B, C, D		5.00	150	4.81	4.97 - 5.27	STD	4.50	4.125
						200	4.81	5.22 - 5.57			4.125
6"	6.63	6.90	A	50 - 350	6.90	100	6.91	7.05 - 7.40	O.D.	6.00	6.125
			B, C, D		7.10	150	6.91	7.07 - 7.37	STD	6.63	6.125
				E, F		7.22	200	6.91	7.26 - 7.56		
8"	8.63	9.05	A, B	50 - 300	9.05	100	9.11	9.22 - 9.57	O.D.	8.00	
			C, D	350	9.30	150	9.11	9.27 - 9.57	STD	8.63	
			E, F		9.42	200	9.11	9.39 - 9.74			
10"	10.75	11.10	A, B	50 - 200	11.10	100	11.24	11.42 - 11.77	O.D.	10.00	
			C, D	250 - 350	11.40	150	11.66	11.82 - 12.12	STD	10.75	
			E, F		11.60	200	11.66	11.77 - 12.12			
12"	12.75	13.20	A, B	50 - 200	13.20	100	13.44	13.69 - 14.04	O.D.	12.00	
			C, D	250 - 350	13.50	150	13.92	14.08 - 14.38	STD	12.75	
			E, F		13.76	200	13.92	14.03 - 14.38			
14"	14.00	C900/C905 15.30	A, B	50 - 100	15.30	100	15.07	15.40 - 15.80	O.D.	14.00	
			C, D	150 - 300	15.65	150	16.22	16.38 - 16.73			
			E, F		15.98	200	16.22	16.48 - 16.88			
16"	16.00	C900/C905 17.40	A, B	50 - 100	17.40	100	17.14	17.54 - 17.94	O.D.	16.00	
			C, D	150 - 300	17.80	150	18.46	18.62 - 18.97			
			E, F		18.16	200	18.46	18.79 - 19.19			
18"	18.00	C900/C905 19.50	A, B	50 - 100	19.50	100	19.90	20.44	STD	18.00	
			C, D	150 - 250	19.92	150	20.94	21.20			
			A, B	50 - 100	21.60	100	22.12	22.50	STD	20.00	
20"	20.00	C900/C905 21.60	C, D	150 - 200	22.06	150	23.28	23.54			
24"	24.00	C900/C905 25.80	A, B	50 - 100	25.80	100	26.48	27.17	STD	24.00	
			C, D	150 - 250	26.32	150	27.96	28.22			
30"	30.00	C900/C905 32.00	A, B	50 - 100	32.00				STD	30.00	
			C, D	150 - 250	32.74						
36"	36.00	C900/C905 38.30	B	50 - 350	38.30				STD	36.00	

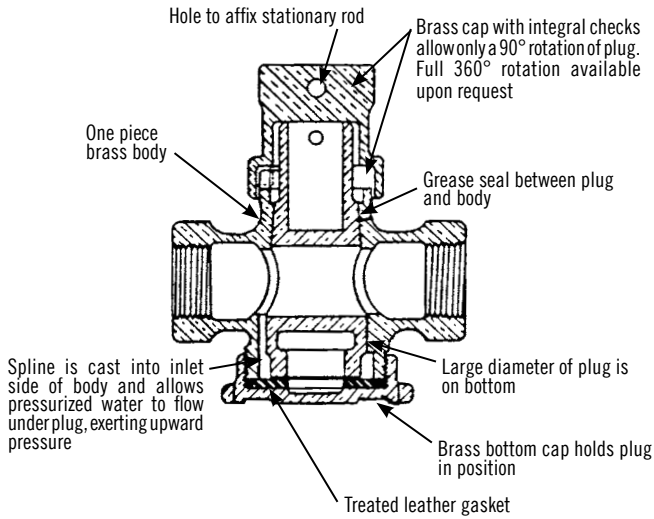
Note: Outside diameters and specifications vary. Above dimensions are approximate Determine pipe O.D. before ordering

Curb Stops

Ball Valves - Regular & Minneapolis Pattern | Stop & Drain Ball Valves | Inverted Plug Valves - Regular Pattern Tapered Plug | Port Angle Curb Valves

Engineering

Inverted Plug Design



Inverted Plug style valves have the large diameter of the plug at the bottom of the valve. The plug is held in position by the bottom cap which also contains a treated leather gasket. A spline is cast into the Inlet side of the valve body to allow water at the main pressure to go under the plug, exerting an upward pressure on the plug which reseats it after cycling.

To cycle the valve, hit down on the top of the plug or rod. This forces the plug down slightly, breaking the plug away from the body taper, thus lowering the turning torque momentarily (the leather gasket in the bottom cap absorbs the blow). Water pressure from the main then reseats the plug. The valve must be placed on a brick or other solid foundation to properly support valve when it is hit to lower turning torque.

All styles of end connections are available as well as Minneapolis Pattern Curb Box Threads.

- Available with FNPT threads, flare or Compression ends
- All inverted plug curb stops have an arrow cast into body indicating proper direction of flow
- 5/8" curb stops have 3/4" end connections

MAXIMUM PRESSURE RATING of Inverted Plug Style Curb Stops	SIZE
100 PSIG Water	1/2" - 1"
80 PSIG Water	1 1/4" - 2"

Minneapolis Pattern

Minneapolis Pattern Curb Stops have male threads on top that screw onto the female threads machined into the bottom of Minneapolis Pattern Curb Boxes. Threading the Curb Stop in the Curb Box gives a unified valve/box assembly that assures their alignment. The charts below identify size of threads in base casting of Curb Boxes and at top of Curb Stops.

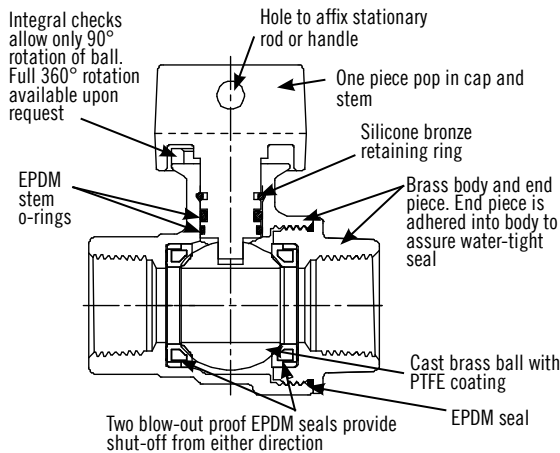


MINNEAPOLIS INVERTED PLUG TYPE CURB STOPS		
Curb Box Base Tapped	1 1/2"	2"
Inverted Plug Valve Size	3/4"	1"

MINNEAPOLIS BALL VALVE CURB STOPS		
Curb Box Base Tapped	1 1/2"	2"
Ball Valve Size	3/4", 1" or 1 1/4" x 1 x 1 1/4"	1 1/2", 2" or 1 1/4" x 1 1/2" x 1 1/4"



Ball Valve Design



- Available with FNPT, MNPT threads, flare or Compression ends
- Ball style curb stops are non-directional

A.Y. McDonald's Ball Valve Curb Stops maintain their low turning torques and bubble-tight 300 PSIG water pressure rating due to the PTFE coated brass ball that is supported by two EPDM seals. McDonald Ball Curb Stops offer positive shut-off from either direction.

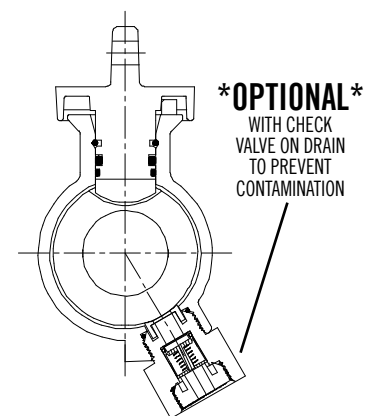
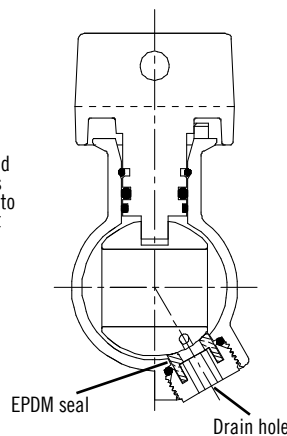
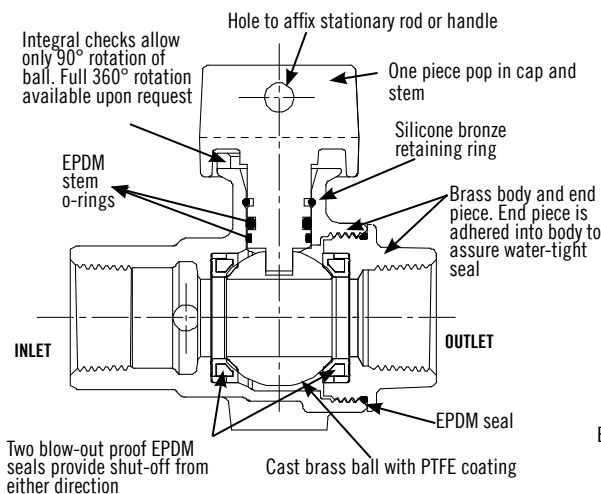
McDonald Ball Curb Stops are available with a wide variety of end connections and also with Minneapolis Curb Box Threads.

Stainless steel, brass and fixed brass handles available.

A brass 2" square operating head that is easily pinned to existing curb stops is available separately.

**MAXIMUM PRESSURE RATING
of Ball Style Curb Stops**
300 PSIG Water

Stop and Drain Ball Valve Design



A.Y. McDonald's Stop and Drain Ball Valve Curb Stops maintain their low turning torques and bubble-tight 150 PSIG water pressure rating due to the PTFE coated brass ball that is supported by two EPDM seals. A.Y. McDonald Stop and Drain Ball Curb Stops offer positive shut-off from inlet direction only.

A.Y. McDonald Ball Stop and Drain Curb Stops are available with a wide variety of end connections and also with Minneapolis Curb Box Threads.

Stainless steel, brass and fixed brass handles available.

A brass 2" square operating head that is easily pinned to existing curb stops is available separately.

Available with FNPT, MNPT threads, flare or Compression ends

**MAXIMUM PRESSURE RATING
of Stop & Drain Style Ball Valves**
150 PSIG Water



Lockwings

are available on many A.Y. McDonald Curb Stops. Look for the "W" in the model number on the following pages. Example: 76100W



Flathead

Curb stops with a flathead are without lockwings.

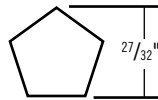
Materials meet or exceed A.W.W.A. standard C-800

Curb Boxes

Arch & Minneapolis Pattern | Lids & Rods

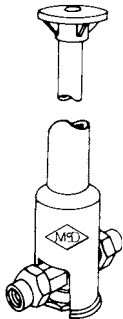
We recommend that the length of curb box used for a specific bury be six inches longer than final grade. *Example:* If final grade is five foot, we recommend a 5 1/2" foot maximum extended length curb box. This will allow 6" for grade change in either direction.

- Steel upper sections telescope up and down within the base casting by 12".
- Available lengths shown are listed at maximum extension.
- When curb box is supplied with stationary shut-off rods, the rods are 18" shorter than the Curb Box, at its maximum extension.
- Base sections and lids are made of cast gray iron.
- All pentagon plugs have a 27/32" point to flat size.
- Upper sections are held in the desired position by a strong clip ring located inside the top of the base casting.
- A swedged lug at bottom of upper section fits into a cast slot in the base casting to prevent upper section from turning when removing lid or pentagon plug.
- Curb Boxes and Accessories are black dip coated inside and out.
- Curb Boxes are shipped in the retracted position.



Our curb boxes are manufactured in USA with components from Canada. (MODEL 5601, 5607, 5614, 5615, 5622 & 5623) are also available with components made only in the USA. (Add "A" to model number, i.e. 5601A)

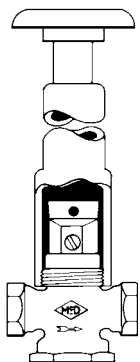
Arch Base Curb Boxes



The "Arch" or "Y" base casting covers the Curb Stop without being mechanically connected. When required, a stationary shut-off rod is attached (via cotter pin) to the tee head of the Curb Stop and remains in place inside the Curb Box. The top of the shut-off rod is formed in such a manner that it centers the top of the rod inside the upper section of the 1" Curb Box.

Stationary shut-off rods are furnished with Curb Boxes having 1" upper sections and are also available separately.

Minneapolis Base Curb Boxes



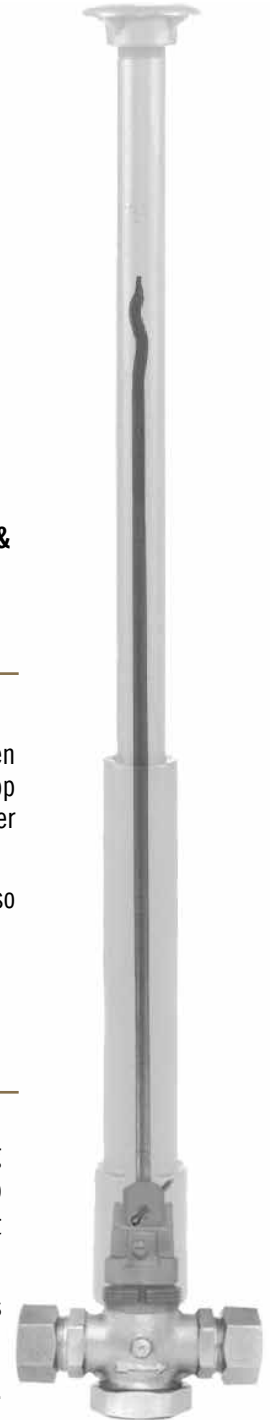
Minneapolis Pattern Curb Boxes have female threads machined into the bottom of the base casting that screw onto the male threads on top of all Minneapolis pattern Curb Stops. Threading the Curb Stop into the Curb Box gives a unified valve/box assembly. This arrangement ensures alignment between the two service line components.

Shut-off rod information noted above is also true when used with Minneapolis Pattern Curb Boxes with 1" upper section.

The charts below identify size of threads in base casting A.Y. McDonald Curb Boxes and Curb Stops.

Ball Style Minneapolis Valve Curb Stops		
Curb Box Base Tapped	1 1/2"	2"
A.Y. McDonald Ball Valve Size	3/4", 1", or 1 1/4" x 1" x 1 1/4"	1 1/4", 1 1/2", 2", or 1 1/4" x 1 1/2" x 1 1/4"

Inverted Plug Type Minneapolis Curb Stops		
Curb Box Base Tapped	1 1/2"	2"
A.Y. McDonald Inverted Plug Valve Size	3/4"	1"

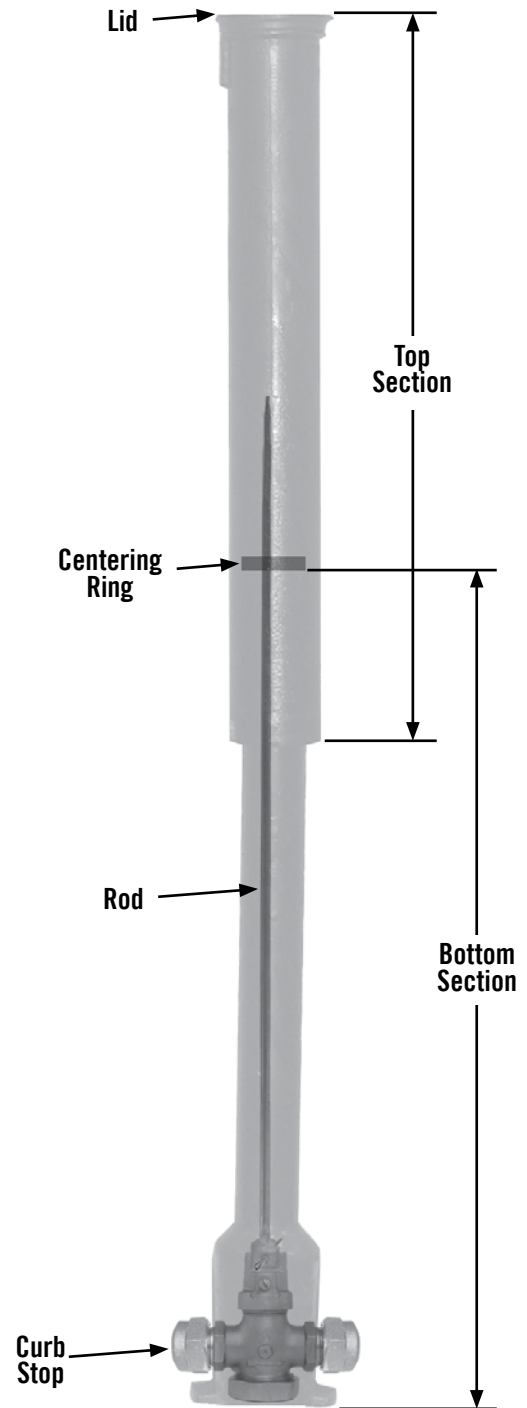
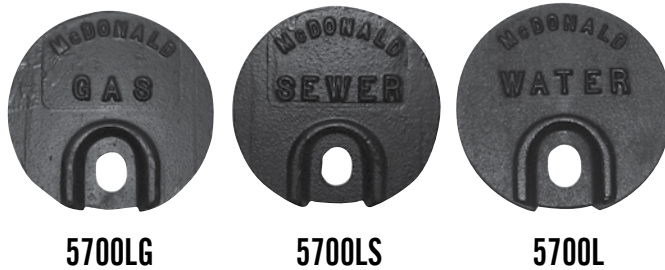


A.Y. McDonald Mfg. Co. offers high quality cast iron service boxes with a wide range of options. Service boxes can be adjusted to the full range called out in the model number. The 2 1/2" service box is designed for use with 3/4" through 1 1/4" curb stops, as well as up to 2" curb stops with the use of the enlarged base. Boxes do not include rod or centering ring (ordered separately).

- Extension lengths are listed with other model information.
- Available with water, sewer, and gas lids
- Quality cast gray iron construction ASTM A48, Class 25
- Arch-style base
- Brass pentagon bolt locking lid
- May be ordered as assembly or Components

Screw Style - Model 5700

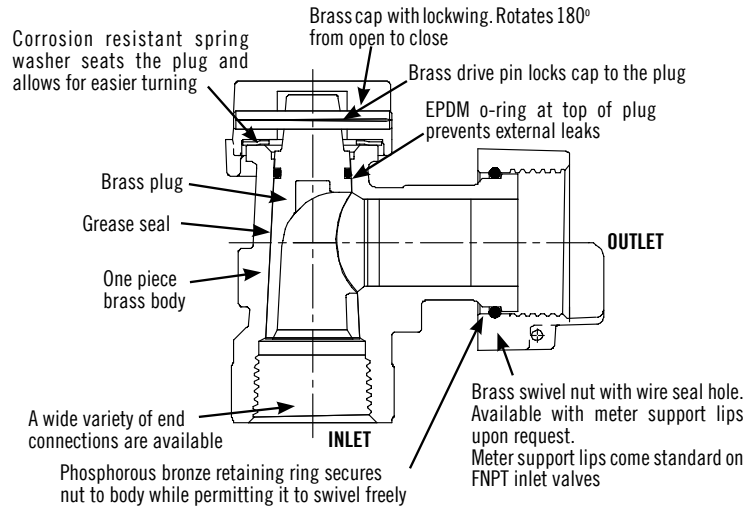
Screw Style Service Boxes (Buffalo Style) are designed with threaded or screw style castings. Top section "threads" over bottom section and adjusts to desired height. Top section includes water lid as standard. Centering ring, rods, and other lids are optional. Standard base will cover A.Y. McDonald Curb Stops to 1 1/4" size.



Meter Couplings - Straight & 90° Angle | Angle Valves - Plug, Ball, & Standard Port | Flanges | Straight Valves | U-Branches & Assemblies

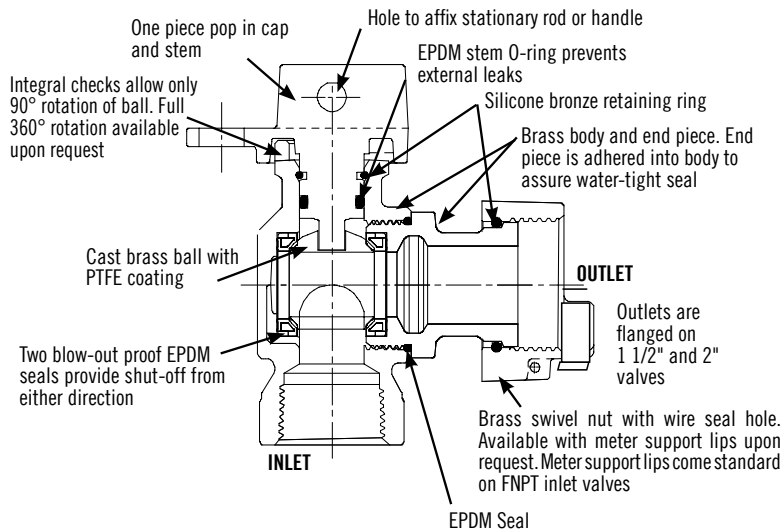
Plug Angle Valve

Maximum Pressure Rating = 100 PSIG Water



Ball Angle Valve

Maximum Pressure Rating = 300 PSIG Water



Available with FNPT threads, Flare or Compression inlets

All McDonald Valves are inspected repeatedly during the manufacturing process, then each valve is pressure-tested air under water.

Meter Size	5/8"	3/4" Short Meter, 5/8" x 3/4"	3/4"	3/4" x 1"	1"	1 1/2"	2"
A-Meter Threads	3/4"	1"	1"	1 1/4"	1 1/4"	Oval Flange	Oval Flange
B-Lay Length	7 1/2"	7 1/2"	9"	9"	10 3/4"	13"	17"
A.Y. McDonald Spacing*	7 13/16"	7 13/16"	9 5/16"	9 5/16"	11 3/32"	13 1/4"	17 1/4"

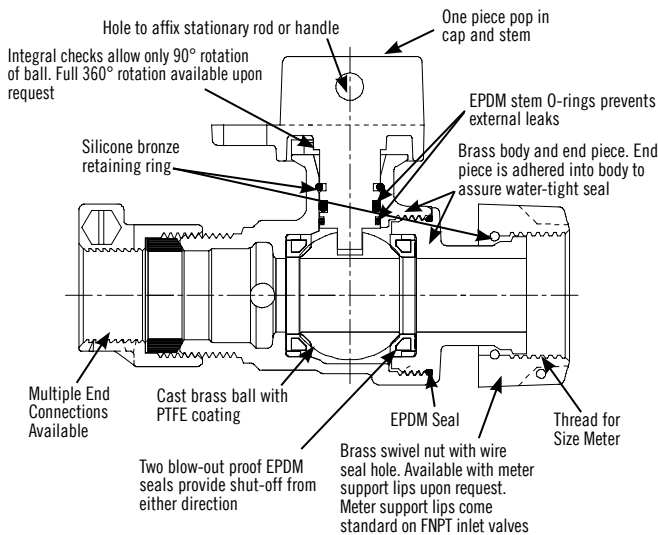
*Allows for meter and two gaskets.

Engineering

Codes and Descriptions of Tubing and Pipe which are used with A.Y. McDonald Compression Couplings

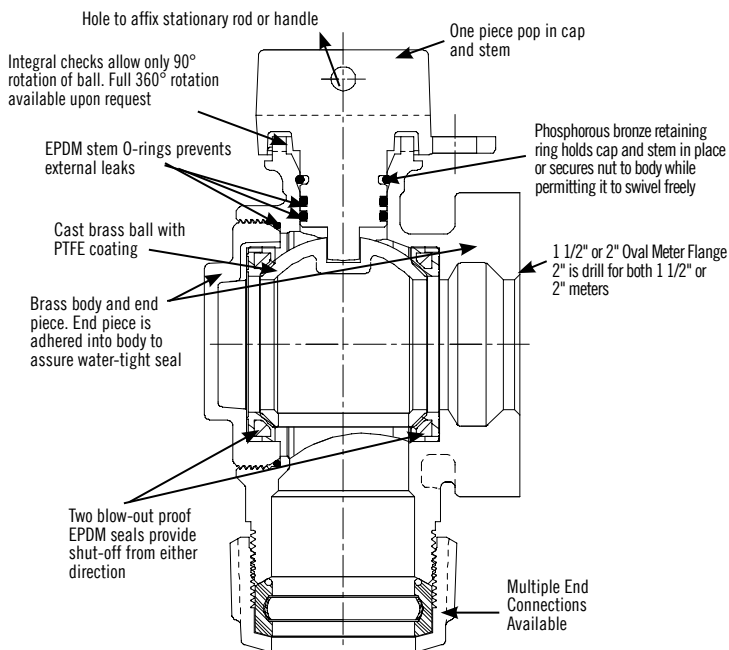
Inline Meter Ball Valve

Maximum Pressure Rating = 300 PSIG Water



1 1/2" & 2" Ball Valve

Maximum Pressure Rating = 300 PSIG Water



Copper Tube - the outside diameter is closely controlled by the manufacturer per ASTM specifications.

Polyethylene (PE) or Polybutylene Tube (PB) – CTS (Copper Tube Size) – ASTM D2737 SDR 9 or ASTM D2666 SDR 9 – flexible plastic tubing has the same outside diameter as corresponding sizes of copper tube and requires an insert stiffener to support the inside diameter of the tube.

McDonald Mac-Pak (-22 Series), Tube (T Series), McQuik (Q Series), McGrip (G Series) and Handy-Loc (H Series) Compression assemblies are all designed to fit copper tube or copper tube size polyethylene or polybutylene. These compression nuts are individually marked with their size and CTS.

Polyethylene (PEP) or Polybutylene Pipe (PBP) – ASTM D2239 SIDR7 & 9 or ASTM D2662 SIDR7 – flexible plastic pipe inside diameter controlled. Requires an insert stiffener to support the inside diameter of the tube.

McDonald Mac-Pak (-33 & -34 Series), McQuik (-3Q Series), McGrip (-3G Series) and Handy-Loc (-3H Series) Compression assemblies are designed to fit polyethylene or polybutylene pipe. These compression nuts are marked with size and PEP, PEP-7 or PEP-9.

Polyvinyl Chloride – PVC – rigid plastic pipe that has the same outside diameter as corresponding sizes of standard iron pipe.

McDonald Mac-Pak (-44 Series) Compression assemblies are designed to fit polyvinyl chloride. These compression nuts are marked with sizes and PVC.

Iron Pipe – IP – rigid iron pipe in which the outside diameter is closely controlled by the manufacturer per ASTM specifications (can also be galvanized).

McDonald Mac-Pak (-55 Series) Compression assemblies are designed to fit iron pipe. These compression nuts are marked with size and IP.

C903 – Polyethylene-Aluminum-Polyethylene - (PE-AL-PE) - flexible composite pipe that is manufactured and third party certified to ASTM F-1282. This compression assembly can be made from any existing 3/4" or 1" "Q" Series and is designated by replacing the "Q" in the model number with a "K".

McDonald C903 (K Series) compression nuts are designed to fit C903 pipe and are marked with size and C903.

MNPT - Male National Pipe Thread

FNPT - Female National Pipe Thread

FNPSMT - Female National Pipe Straight Meter Thread

MNPSMT - Male National Pipe Straight Meter Thread

Series 701, 702, 711, 712, 7111, & 7112 | Inline & Angle Single Check Valves | Inline Dual Check Valves
 Angle & Flanged Dual Check Valves | Inline Accessible Dual Check Valves

- Each valve pressure tested prior to shipment.
- Pressure rated at 175 PSIG.
- Temperature range 34°F to 180°F.
- Union or cap of check valve sealed with o-ring and allows easy access to check for inspection, maintenance or replacement and not dependent on cartridge.
- Cast brass Components AWWA C-800 current revision.
- Check is precision molded of plastic with stainless steel spring.

- Check is designed to hold 1 PSIG in the direction of flow.
- Can be installed in either the horizontal or vertical position.
- Can be field tested.
- Available with a wide variety of threaded or Compression outlet connections.
- Check assembly remains together when removed from body (no loose pieces).

NOTE: Change "J" in model number to "H" for meter swivel nut with meter support lip.

NOTE: Add "W" in place of "-" for pentagon test plug in cap i.e. 7112-3YE33 = 7112W3YE33.

*Insert stiffeners are **required** on all flexible plastic connections.



701 Inline Single Check Valves



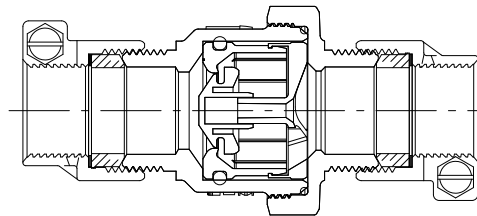
For additional end connection options, see page 14.

A.Y. McDonald's unique Inline Single Check Backflow Valves have a wide variety of inlet / outlet configurations.

Backflow prevention will stop the house water from flowing into a meter pit or on the floor while removing the meter for service.

Features

- Available with a wide variety of threaded or Compression outlet connections.
- See UFR section for 7201 series with UFR.



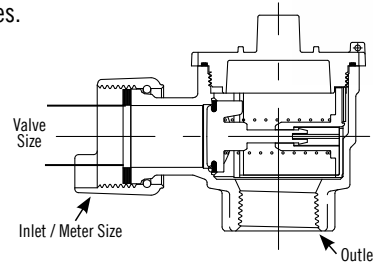
702 Angle Single Check Valves

A.Y. McDonald's unique Angle Single Check Backflow Valves have meter swivel nut inlets and a wide variety of outlet configurations. Angle single checks can be ordered on our copper meter setters, resetters, insetters, and iron yokes, or they can be used independently.

Our top cap and unique perpendicular check module design ensures convenient access for inspections, maintenance or replacements without removing the valve from the line. It also allows for a lower profile than traditional top entry check. Backflow prevention will stop the house water from flowing into a meter pit or on the floor while removing the meter for service. This check design has less flow restriction than standard check valves.

Features

- Angle check valve cap available with Pentagon Test Plug.
- Available with a wide variety of threaded or Compression outlet connections.
- See UFR section for 7202 series with UFR.



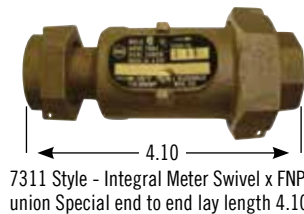
Engineering

711 Inline Dual Check Valves

A.Y. McDonald Inline Dual Check Valves protect the public water supply by preventing the reverse flow of water from the building back into the water main. The Series 711 dual check valve is available with a wide variety of end connections to connect directly to water meters or other types of piping.

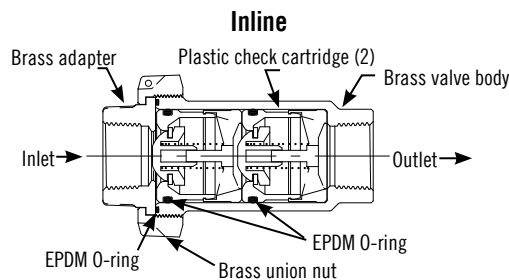
Features

- Available with a wide variety of threaded or Compression connections.
- Dual checks work independently of each other.
- Valve will operate with either check removed.
- Designed Tested to ANSI/ASSE 1024 and CSA B64.6 requirements.
- See UFR section for 7211 series with UFR.

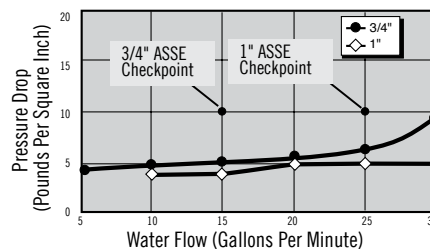


Components and Repair Parts

Most check valves are made to order, please allow two weeks for delivery.



For repair kit, order 11-3RK. Kit includes cap o-ring and two cartridges with o-rings.



712 Angle Dual Check Valves

A.Y. McDonald's unique Angle Dual Check Backflow Valves have meter swivel nut inlet and a wide variety of outlet configurations. Angle dual checks can be ordered on our copper meter setters, resetters, insetters and iron yokes or they can be used independently.

Our top cap and unique perpendicular check module design ensures convenient access to both checks for inspections, maintenance or replacements without removing the valve from the line. It also allows for a lower profile than traditional top entry dual checks. Backflow of water is still deterred if either of the checks are removed or inoperable. This check design has less flow restriction than standard check valves.

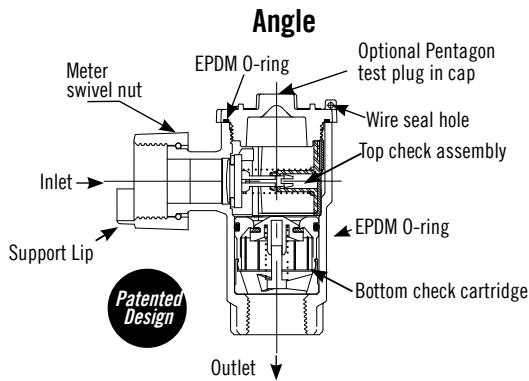
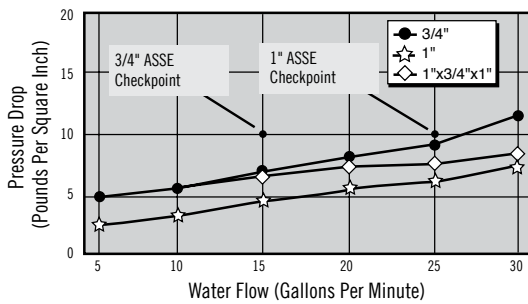


Features

- Angle check valve available with Pentagon Test Plug in cap.
- Available with a wide variety of threaded or Compression connections.
- Dual checks work independently of each other.
- Valve will operate with either check removed.
- Design Tested to ANSI/ASSE 1024 and CSA B64.6 requirements.

Components and Repair Parts

Most check valves are made to order, please allow two weeks for delivery.

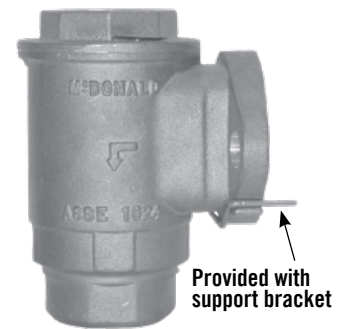


For repair kit, order 12-3RK. Kit includes top check, bottom check with o-ring and cap o-ring.

712 Flanged Angle Dual Check Valves

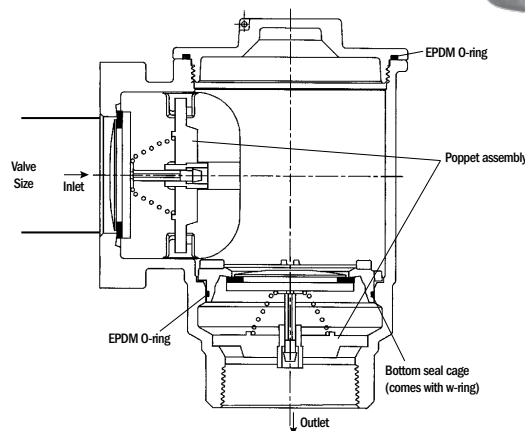
A.Y. McDonald's unique Angle Dual Check Backflow Valves have meter oval flange inlet and FNPT outlet configurations. Angle dual checks can be ordered on our copper meter setters, resetters, insetters and iron yokes or they can be used independently.

Our top cap and unique perpendicular check module design ensures convenient access to both checks for inspections, maintenance, or replacements without removing the valve from the line. It also allows for a lower profile than traditional top entry dual checks. Backflow of water is still deterred if either of the checks are removed or inoperable.



Features

- Angle check valve available with FNPT tap.
- Dual checks work independently of each other.
- Valve will operate with either check removed.
- Top cap is available with 1", 1 1/2", or 2" FNPT taps.
- Design Tested to ANSI/ASSE 1024 and CSA B64.6 requirements.



7111 Inline Accessible Dual Check Valves

A.Y. McDonald's unique Inline Accessible Dual Check Backflow Valves have meter swivel nut inlets and a wide variety of outlet configurations.

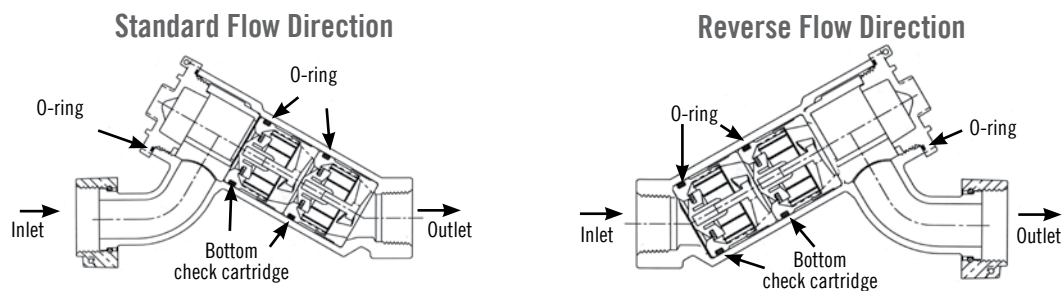
Our top cap and unique check module design ensures convenient access to both checks for inspections, maintenance or replacements without removing the valve from the line. Backflow of water is still deterred if either of the checks are removed or inoperable.



Features

- Available with a wide variety of threaded or Compression connections.
- Dual checks work independently of each other.
- Valve will operate with either check removed.
- Design Tested to ANSI/ASSE 1024 and CSA B64.6 requirements.
- See UFR section for 7214 series with UFR.

Components and Repair Parts



7112 Inline Dual Check Valves

A.Y. McDonald's unique Angle Dual Check Backflow Valves have meter swivel nut inlet and a wide variety of outlet configurations. Angle dual checks can be ordered on our copper meter setters, resetters, insetters, and iron yokes, or they can be used independently. This check design has less flow restriction than standard check valves.

Our top cap and unique check module design ensures convenient access to both checks for inspections, maintenance or replacements without removing the valve from the line. Backflow of water is still deterred if either of the checks are removed or inoperable.

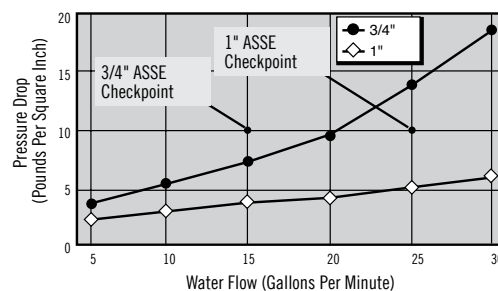
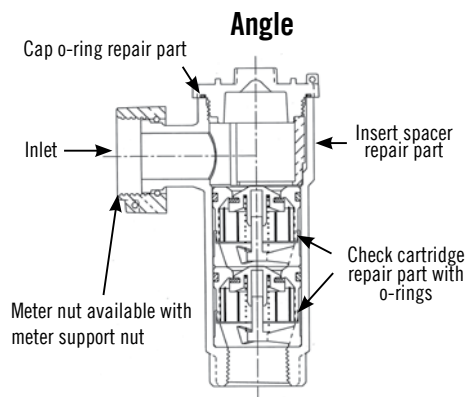


Features

- Available with a wide variety of threaded or Compression connections.
- Dual checks work independently of each other.
- Valve will operate with either check removed.
- Design Tested to ANSI/ASSE 1024 and CSA B64.6 requirements.
- See UFR section for 7212 series with UFR.

Components and Repair Parts

Most check valves are made to order, please allow two weeks for delivery.



Series 7201 / 7201C, 7202, 7211 / 7212, 7214, & 714U | Meter Setters & Resetters | City of Dubuque

THE PROBLEM: NON-REVENUE WATER

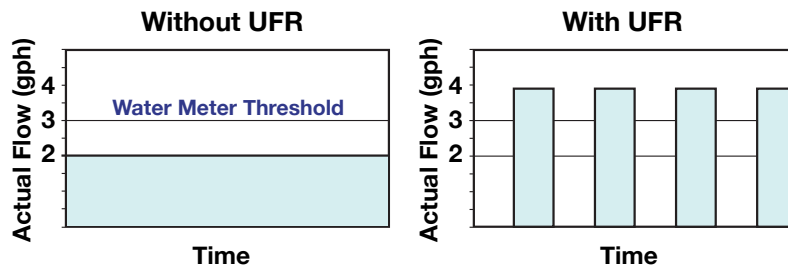
Every water system has to cope with non-revenue water. Main leaks, theft, tank overflows and unmeasured flow through water meters all contribute to a system's non-revenue water problem. According to the American Water Works Association (AWWA), 14% of indoor household usage in North America can be attributed to leaks. As residential water meters aren't designed to register low-flows such as leaks and drips, much of this usage goes un-metered and un-billed. This type of non-revenue water is called "apparent loss" and is valued at the retail water rate. For systems in which waste water is also billed based on water consumption, this apparent loss is valued at the retail rate for water and waste water combined. Apparent losses through residential water meters can add up to millions of dollars annually in non-revenue water and sewer.

THE SOLUTION - THE UNMEASURED-FLOW REDUCER (UFR):

The UFR captures this low-flow water and forces it through the meter in a way that causes nearly every drop to be registered. Apparent losses are reduced and customers are held accountable for their actual usage.

HOW THE UFR WORKS

The UFR works by changing the way water flows through the meter at low flow rates. At low flow rates there is not enough energy in the flow to activate the water meter. With the UFR installed, the low linear flows are divided into batches that are forced through the meter at a higher flow rate (see chart below). These higher flows can now be registered by the water meter, reducing apparent losses and increasing revenue.



At standard household flow rates, the UFR is fully open, allowing water to flow normally with minimal head loss. As flow is reduced, the UFR returns to its operation of batching the water flow.

THE RESULTS

UFR installations can increase metered residential water and sewer revenue by as much as five to ten percent. Customers are held accountable for their actual usage and the system's apparent losses are reduced considerably. Customers that are held accountable for their usage are more likely to fix leaks and conserve our most precious resource, clean water.

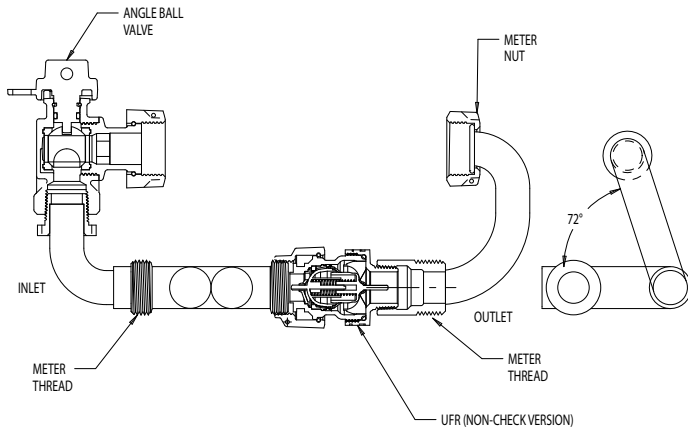
U.F.R. technology provided by  A.R.I.

Flow Control Accessories LTD - Patent Pending

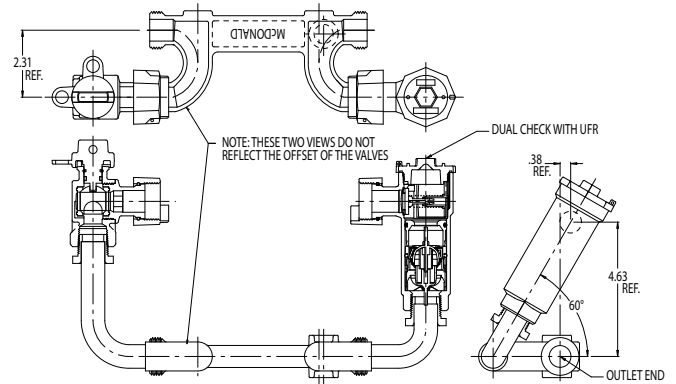


THERMAL EXPANSION WARNING - Creating a "closed" condition in a hot water system with the installation of a non-return barrier (such as a Check Valve or Backflow Preventer between the system piping and the public supply) can result in extreme pressure rises caused by thermal expansion and/or water hammer. This thermal expansion can damage piping, valves, and other Components in the system. The installation of a pressure relief device or thermal expansion tank can avoid possible damages.

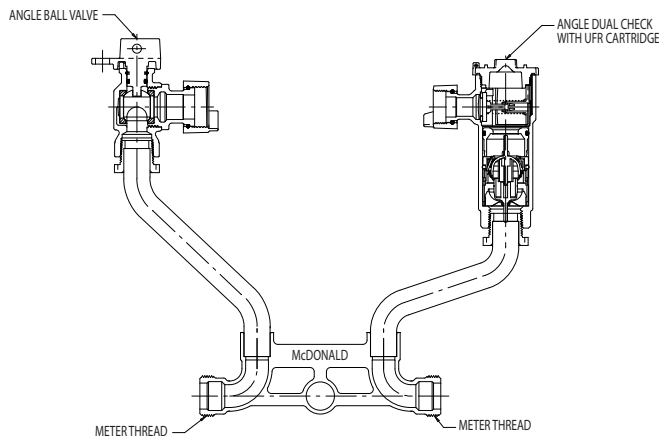
The UFR can be conveniently added to most A.Y. McDonald meter setters and resetters. Please contact the factory for pricing and availability.



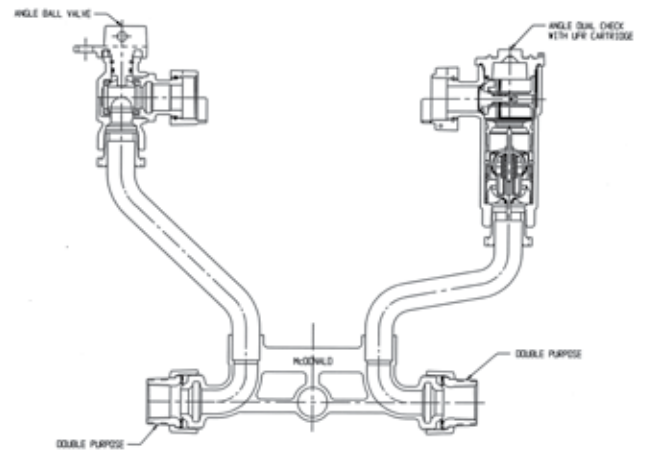
710 Series Meter Resetter



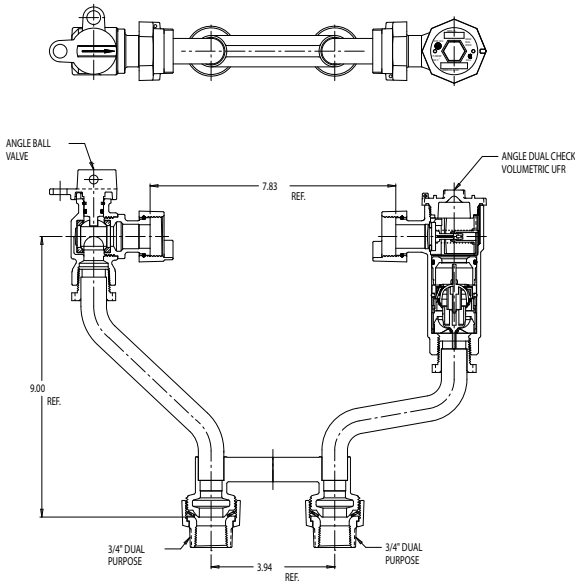
717 Series Meter Resetter



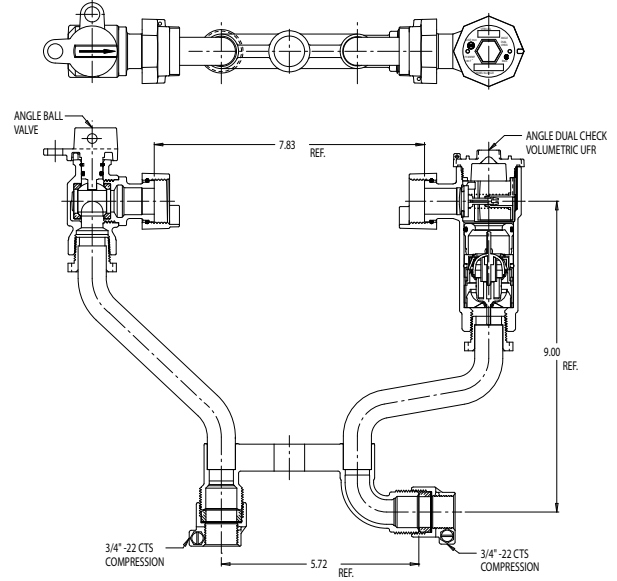
718 Series Meter Resetter



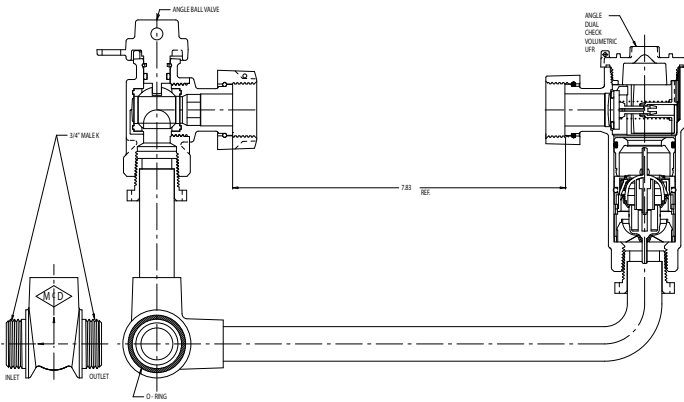
720 Series Meter Setter



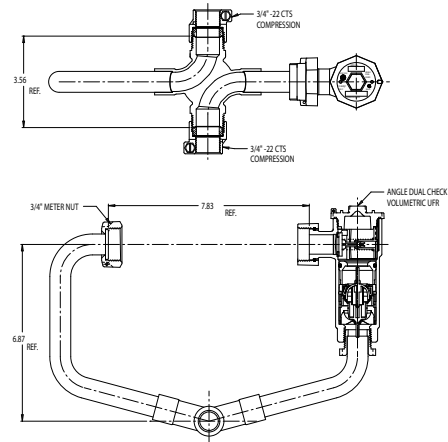
730 Series Meter Setter



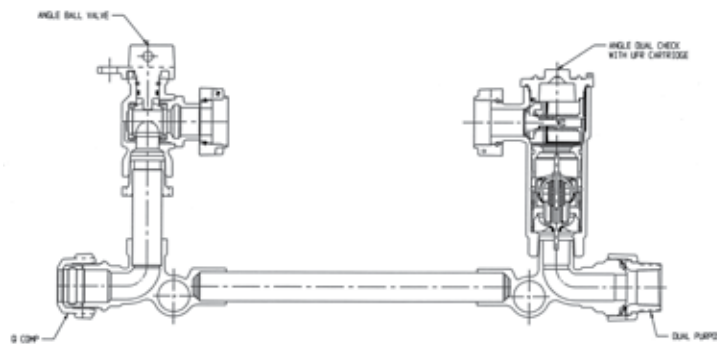
739 Series Meter Setter



741 Series Meter Setter



739 Series Meter Setter



770 Series Meter Setter

City of Dubuque - Contribution of UFR to “Smart Metering” Leak Detection System

Project Background:

In January of 2010, the City of Dubuque, Iowa began a change-out of its 22,500 existing water meters to new positive displacement (PD) meters. The project included an upgrade to a fixed base radio read network and implementation of over 18,000 Unmeasured-Flow Reducers (UFRs) by A.Y. McDonald Manufacturing Company. As part of the City’s “Smarter Sustainable Dubuque” project, the intent was to be able to accurately measure consumption and notify residents of potential leaks in their homes, allowing them to consider corrective measures which translate into “smarter” water use.



Installation:

With the project complete, the City of Dubuque has installed 21,966 3/4” or smaller water meters. Of those, 18,699 were installed with a UFR meter coupling or with the UFR in a 10 series resetter. 3,267 services received no UFR due to PRV’s or RPZ’s located directly after the meter. The new PD meters, installed in the basement, utilize a digital data-logging register that transmits a signal to a meter interface unit (MIU) placed on the outside of the home.

Leak Detection Technology:

The register logs 96 data points every 24 hours (15 minute read intervals) and transmits that information to an MIU which then uploads the information via the fixed base radio network to the City’s server once every 24 hours. The registers are equipped with a leak indicator that registers a leak based on the following criteria. If 56 to 95 of the 96 data points show usage, the system considers the home to have an intermittent leak. If all 96 of the data points show usage, the system considers the home to have a continuous leak.

The UFR Factor:

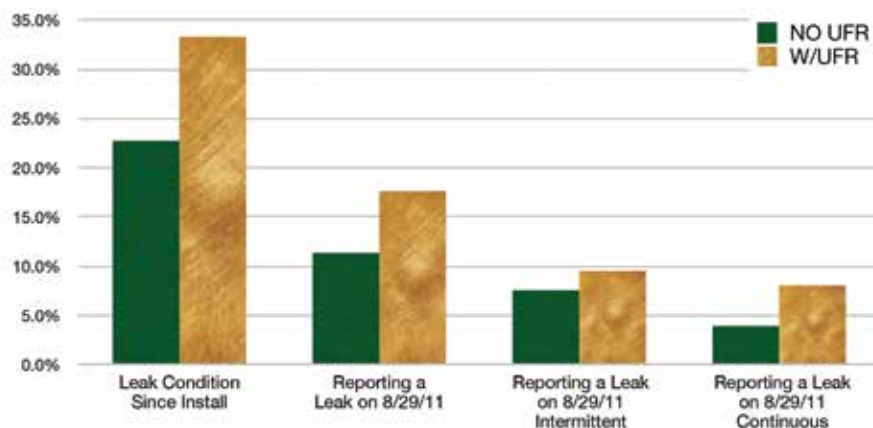
Even when installed in conjunction with one of the most accurate water meters available today, the UFR’s contribution to the accuracy of the newly installed meters and the above mentioned leak detection system is dramatic:

Of the 3,267 new meters installed without UFR’s:

- 22.7% have registered a leak condition since install
- 11.4% were reporting a leak condition on 8/29/11
 - 7.5% intermittent
 - 3.9% continuous

Of the 18,699 new meters installed with UFR’s:

- 33.3% have registered a leak condition since install
- 17.7% were reporting a leak condition on 8/29/11
 - 9.6% intermittent
 - 8.1% continuous



Conclusion:

The UFR’s contribution to the ability of the system to detect, report and measure leakage is as follows:

- On services with UFR’s, an additional 10.6% of the meters have registered a leak condition since install.
- On services with UFR’s, an additional 6.3% of the meters were reporting a leak condition on 8/29/11.

For more information about the UFR: www.ayufr.com

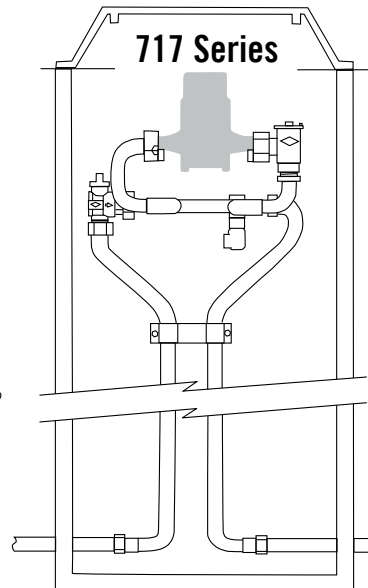
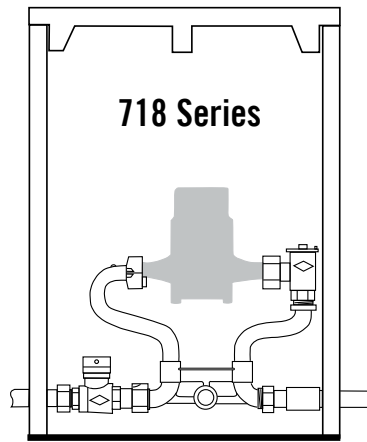
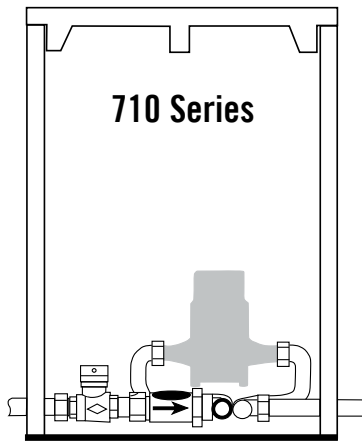
For more information about the City of Dubuque’s meter change-out project: www.cityofdubuque.org and search “UFR”.

5/8", 5/8" x 3/4", 3/4", 1", 1 1/2", & 2" | Horizontal and Vertical Inlet / Outlet Series 710, 717, 718, 719, 768, 758, 718

A.Y. McDonald Mfg. Co. Reseters offer a wide variety of options for resetting your current water meter to various heights and locations. Reseters are used where the meter is already installed and the service lines are in place, but the meter needs to be relocated above or next to the current line. A.Y. McDonald Mfg. Co. reseters provide you with an array of variations that will see you through any relocation project.

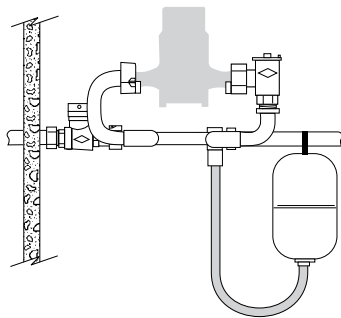
Common reseter installations are shown below. You can customize your reseter solution on the pages within, or contact our factory professionals to help you through.

- Brass materials meet or exceed AWWA C-800 (latest revision)
- Copper tubing has a 13/16" O.D. for 5/8", 5/8" x 3/4" or 3/4" meter reseters, 1 1/8" O.D. for 1" meter reseters, 1 5/8" for 1 1/2" meter reseters and 2 1/8" for 2" meter reseters.
- Solder is no-lead.
- EPDM rubber gaskets are furnished as standard. Contact factory for fiber or leather gaskets.
- All meter reseters are factory tested air under water at 85 PSIG.
- Brass support bar is standard on 18" and higher meter reseters.
- Meter reseter heights over 24" available on special order.
- All meter swivel nuts have wire seal hole.
- Lockwing ball style meter valves are standard.
- Meter swivel nuts with meter support saddle are standard, except where noted.
- All copper meter reseters can be supplied with a test valve on the outlet tubing.
- For dual check backflow valves, see single / dual check section..
- Brace eye hole accepts 1/2" iron pipe or PVC for 5/8", 5/8" x 3/4" and 3/4" meters and 1" vertical meter reseters.
- Brace eye hole accepts 3/4" iron pipe or PVC for 1", horizontal meter reseters.
- Brace eye hole accepts 1" iron pipe or PVC for 1 1/2" & 2", horizontal meter reseters.



717-204XDCA

Series 717 with Backflow Preventer and Thermal Expansion Tank (Tank must be purchased separately).



717-204XDCC

Series 717 used to retrofit existing high rise meter pit and standard meter reseter with backflow preventer and pressure relief valve.



THERMAL EXPANSION WARNING - Creating a "closed" condition in a hot water system with the installation of a non-return barrier (such as a Check Valve or Backflow Preventer between the system piping and the public supply) can result in extreme pressure rises caused by thermal expansion and/or water hammer. This thermal expansion can damage piping, valves, and other Components in the system. The installation of a pressure relief device or thermal expansion tank can avoid possible damages.

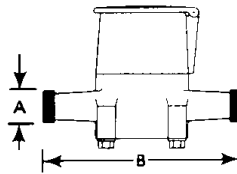
710 SERIES

The A.Y. McDonald Meter Resetter is a unique and patented product designed to easily retrofit existing meter installations to include a dual check backflow preventer, or pressure relief valve. This is accomplished without the high risk of cutting into old service lines, or the expensive process of digging up and replacing existing meter boxes or pits. This retrofitting can be easily performed in even the most confined meter boxes.



Before

NOTE: Meter box sold separately



Meter Dimensions

METER SIZE	5/8"	5/8" x 3/4"	3/4"
A-Meter Threads	3/4"	1"	1"
B-Lay Length	7 1/2"	7 1/2"	9"
A.Y. McDonald Spacing*	7 13/16"	7 13/16"	9 5/16"



After

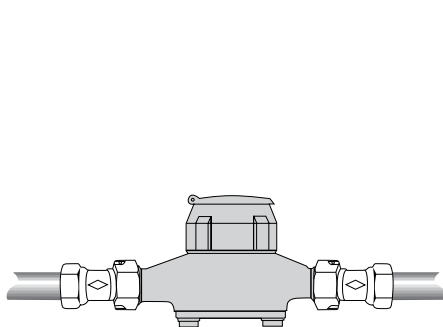
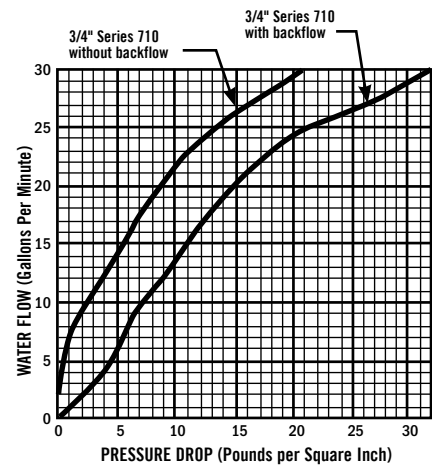
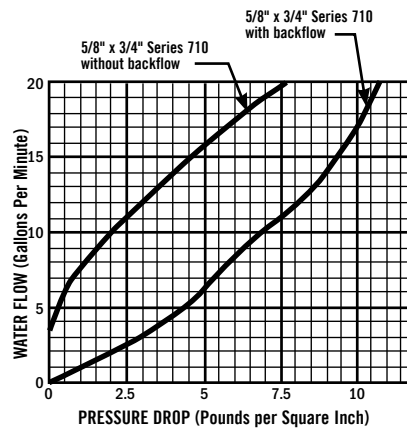
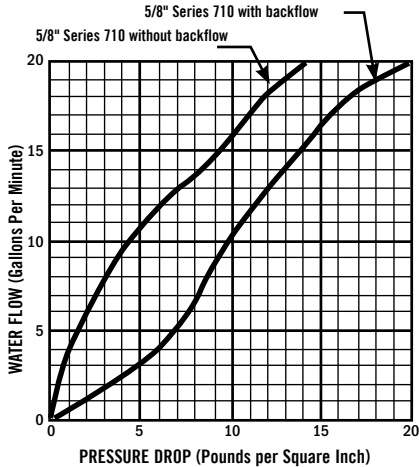
NOTE: Meter box sold separately

Available for 5/8", 5/8" x 3/4", or 3/4" meters

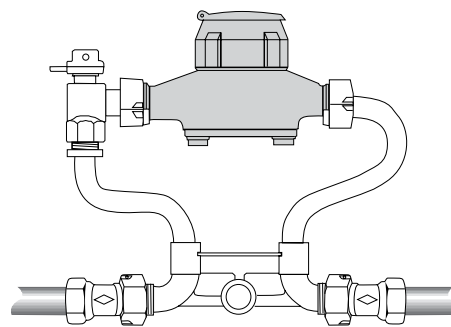


Patent No. 4,691,727

Pressure Loss Data



BEFORE



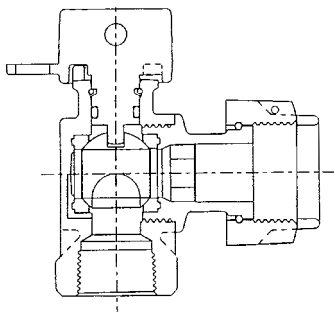
AFTER



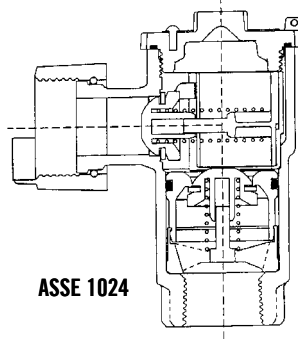
THERMAL EXPANSION WARNING - Creating a "closed" condition in a hot water system with the installation of a non-return barrier (such as a Check Valve or Backflow Preventer between the system piping and the public supply) can result in extreme pressure rises caused by thermal expansion and/or water hammer. This thermal expansion can damage piping, valves, and other Components in the system. The installation of a pressure relief device or thermal expansion tank can avoid possible damages.

Sectional View

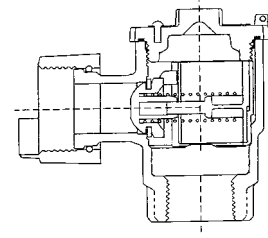
Engineering



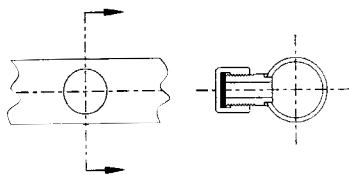
Angle Meter Valve Ball Style



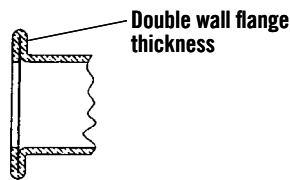
Angle Dual Poppet Check Valve
ASSE 1024



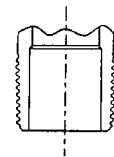
Single Poppet Check Valve



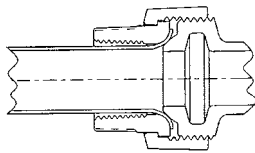
Test Valve in Tubing



Copper Tube Flange

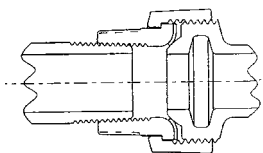


Male National Pipe Threads

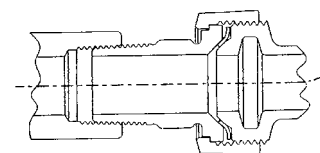


Flare

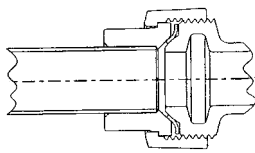
DOUBLE PURPOSE



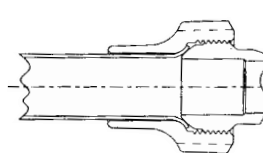
Female National Pipe Threads



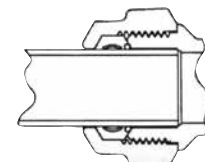
Male National Pipe Thread Union



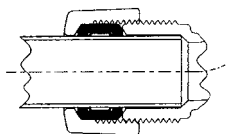
Solder Union



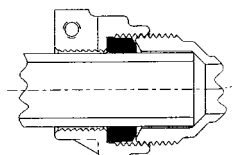
Flare



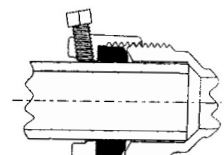
Q & 3Q Series McQuick
Compression - Tighten to Stop



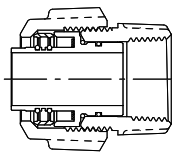
T CTS Tube Compression



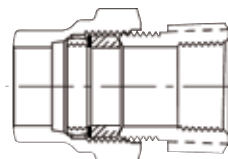
-22, -33, -44 Series
Mac Pak Compression.



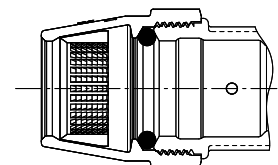
-55 Series Mac Pak Compression



"J" C903 - Tighten to Stop



"G" McGrip - Tighten to Stop



"H" Handy-Loc

5/8", 5/8" x 3/4", 3/4", 1", 1 1/2", & 2" | Horizontal and Vertical Inlet / Outlet | Tandems

Series 720, 721, 722, 723, 724, 725, 726, 727, 728, 729, 730, 731, 732, 737, 738, 739, 760-763, 764, 770

- Brass materials meet or exceed AWWA C-800 (latest revision)
- Copper tubing has a 13/16" O.D. for 5/8", 5/8" x 3/4" or 3/4" meter setters, 1 1/8" O.D. for 1" meter setters, 1 5/8" for 1 1/2" meter setters and 2 1/8" for 2" meter setters.
- Solder is no-lead.
- EPDM rubber gaskets are furnished as standard. Contact factory for fiber or leather gaskets.
- All meter setters are factory tested air under water at 85 PSIG.
- Brass support bar is standard on 18" and higher meter setters.
- Meter setter heights over 24" available on special order.
- All meter swivel nuts have wire seal hole.
- Lockwing ball style meter valves are standard.
- Meter swivel nuts with meter support saddle are standard, except on tandem style meter setters.
- All copper meter setters can be supplied with a test valve on the outlet tubing.
- For dual check backflow valves, see Dual Check Section.
- Brace eye hole accepts 1/2" iron pipe or PVC for 5/8", 5/8" x 3/4" and 3/4" meters and 1" vertical meter setters.
- Brace eye hole accepts 3/4" iron pipe for PVC for 1", horizontal meter setters.
- Brace eye hole accepts 1" iron pipe or PVC for 1 1/2" & 2", horizontal meter setters.

Multiple End Connections

Series 750, 751, 752, 753, 754, 755, 756, 757, 758, & 759

Meter Sizes:

5/8", 5/8" x 3/4", 3/4" and 1"

Heights: 07", 09", 12", 15", 18", 21", 24"

12" minimum on 1" meter
Other heights on special order

Meter Valve/Nut Options:

- A = Check valve with plain meter nut (no lip) on outlet
- F = Angle dual check valve with plain meter nut (no lip) on outlet (ASSE 1024)
- K = Full port angle lockwing ball valve 300 PSIG
- P = Full port angle dual check valve (ASSE 1024)
- Q = Angle lockwing ball valve with plain meter nut (no lip)
- N = Flanged tubing with plain meter nut (no lip)



Inlet/Outlet Options:

All tandem setters are available with the same bottom bar inlet/outlet options as our standard horizontal copper meter setter. See Table I.

TABLE I		TABLE I	
	Page		Page
Series 750	See Series 720..... 297-299	Series 759	See Series 729..... 316-317
Series 751	See Series 721..... 300-301	Series 750R	See Series 730..... 318-319
Series 752	See Series 722..... 302-303	Series 751R	See Series 731..... 320-321
Series 753	See Series 723..... 304-305	Series 752R	See Series 732..... 322-323
Series 754	See Series 724..... 306-307	Series 759R	See Series 737..... 324-325
Series 755	See Series 725..... 308-309	Series 758R	See Series 738..... 326-327
Series 756	See Series 726..... 310-311	Series 759	See Series 739 328-329
Series 757	See Series 727..... 312-313	Series 760	See Series 760-763 330-331
Series 758	See Series 728..... 314-315	Series 764	See Series 764..... 332-333

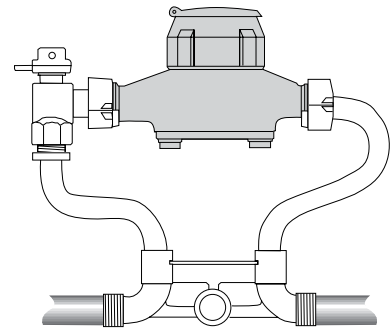
TABLE II		
Meter Size	Device Length (FNPT x FNPT)	Minimum Recommended Inside Pit Diameter
5/8"	4" to 5"	18"
5/8" x 3/4"	4" to 5"	18"
3/4"	4" to 5"	20"
1"	5" to 6"	21"

See the Meter Setters section for pages.

To order a 5/8" x 3/4" tandem meter setter having 3/4" double purpose ends, inlet valve only and a 7" height with 4" to 5" device length, you would order as follows:

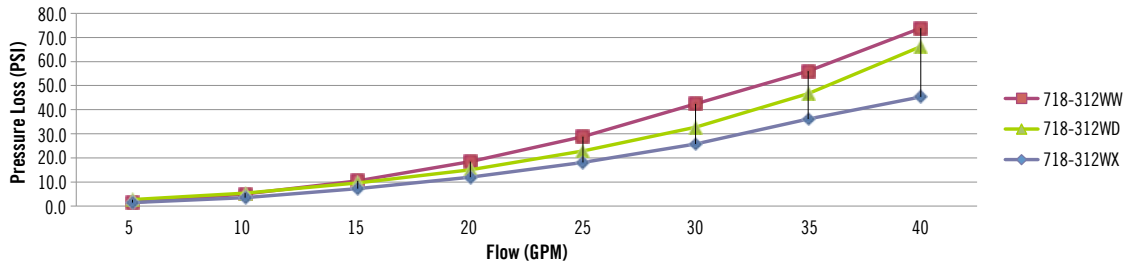
750 -2 07 QN DD 33

Pressure Loss through a Meter Setter

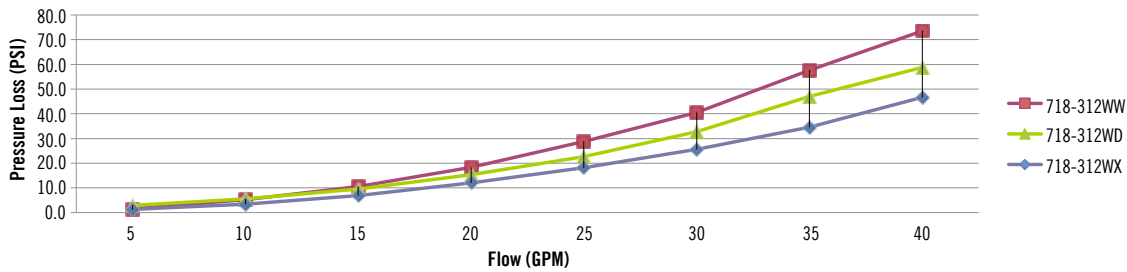


3/4" Meter Resetters with standard tube - WX = Standard Port Ball Valve x Meter Nut -
 WW = Standard Port Ball Valve x Standard Port Ball Valve - WD = Standard Ball Valve x 3/4" Dual Check

Pressure Loss Based on 60 PSI Inlet Pressure

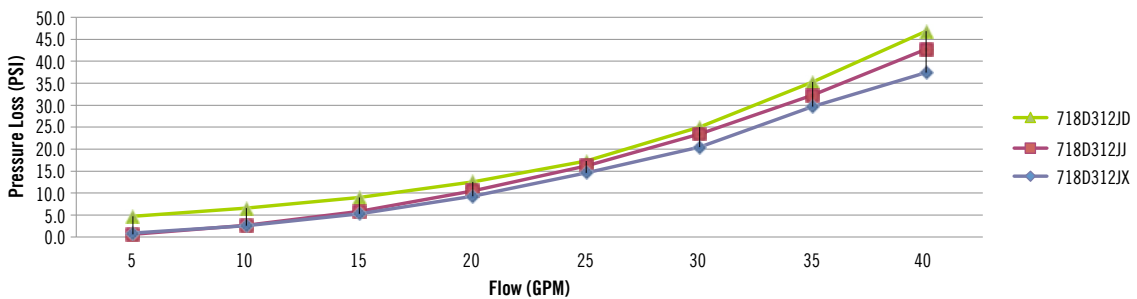


Pressure Loss Based on 80 PSI Inlet Pressure

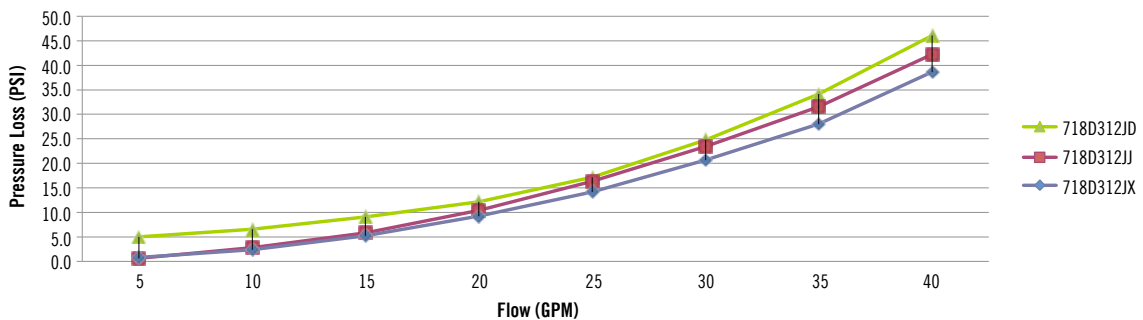


3/4" Meter Resetters with 7/8" OD tube - JX = 3/4" Port Ball Valve x Meter Nut - JJ = 3/4" Port Ball Valve x 3/4" Port Ball Valve - JD = 3/4" Port Ball Valve x 3/4" Dual Check

Pressure Loss Based on 60 PSI Inlet Pressure

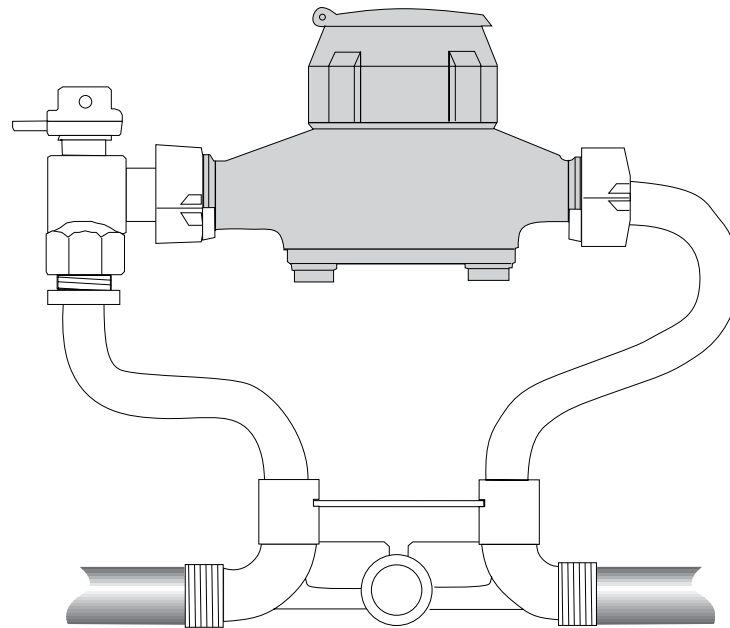


Pressure Loss Based on 80 PSI Inlet Pressure



Information contained in tables below is based upon generally accepted formulas, computations, and trade practices. A.Y. McDonald and its subsidiaries and affiliates, shall not be responsible or liable therefore if any problems, difficulties, or injuries should arise from or in connection with the use or application of this information, or if there is any error herein, typographical or otherwise.

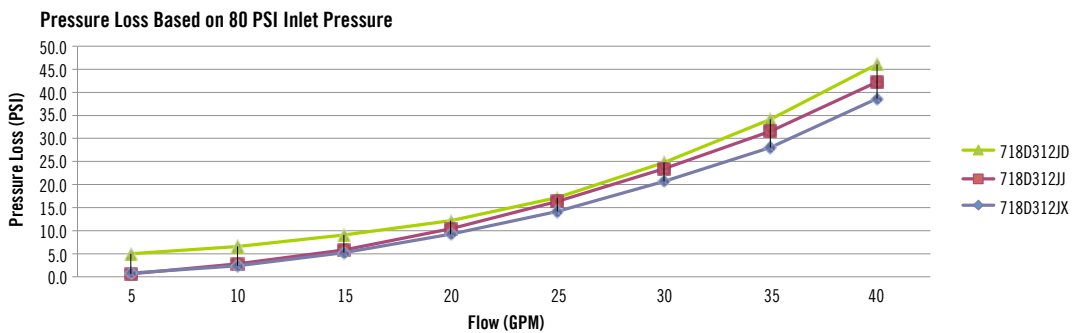
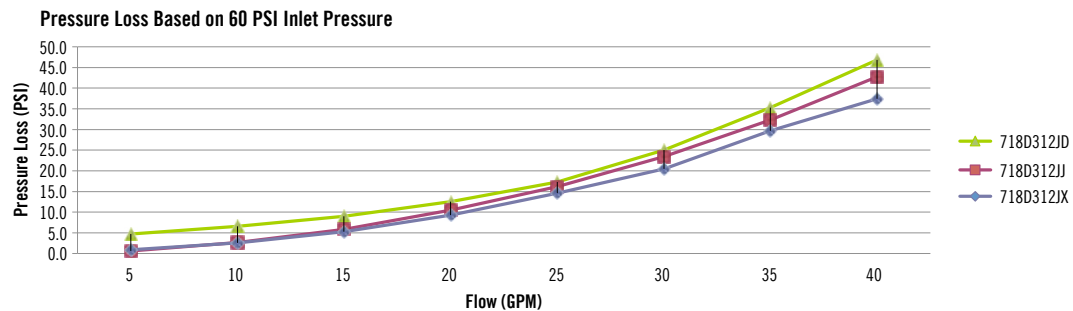
Pressure Loss through a Meter Setter



Engineering

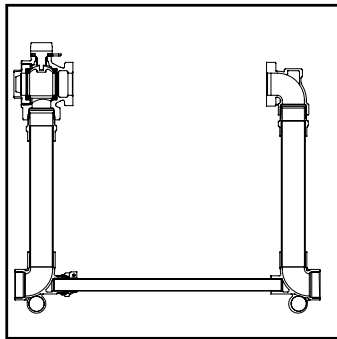
Information contained in tables below is based upon generally accepted formulas, computations, and trade practices. A.Y. McDonald and its subsidiaries and affiliates, shall not be responsible or liable therefore if any problems, difficulties, or injuries should arise from or in connection with the use or application of this information, or if there is any error herein, typographical or otherwise.

3/4" Meter Resetters with 7/8" OD tube - JX = 3/4" Port Ball Valve x Meter Nut - JJ = 3/4" Port Ball Valve x 3/4" Port Ball Valve - JD = 3/4" Port Ball Valve x 3/4" Dual Check

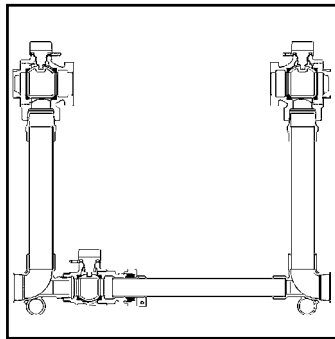


1 1/2" & 2" Meters

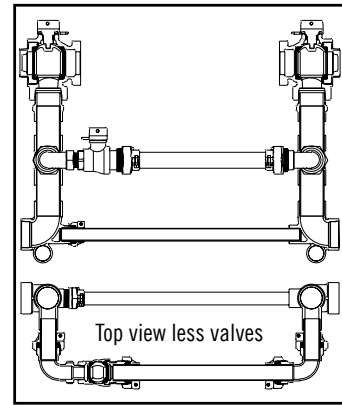
Other meter lay lengths must be specified. An additional 3/8" is added to top spacing to allow for gaskets through 1" setters: Standard 2" top spacing = 17 1/4". Contact factory for: 360° turn valve, handle for ball valve, dielectric connections, check valve in bypass test valve solder to tube.



No Bypass (-)



Low Bypass (B)



Offset High Bypass (R)

Meter Size	1 1/2"	2"
Standard Lay Length	13"	17"

Features

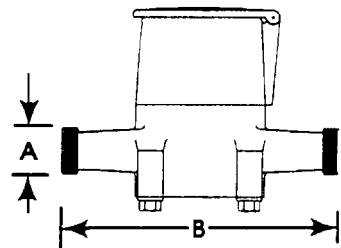
- All ball valves have lockwings.
- 1" copper cross tube is standard for no by-pass setters.
- 1" brace eyes are standard.
- 1 1/2" bypass available on FNPT meter setters, contact factory.
- 2" Meter flanges have slotted bolt holes to fit 1 1/2" or 2" meters.
- Two drop in flange gaskets furnished.
- Two meter support brackets furnished.
- Other vertical heights available, contact factory.
- 1 1/4" bypass has 1" x 1" x 1 1/4" ball valve.
- Flanged elbow can be supplied with 1" top tap for test valve. Contact factory.
- All copper tubing is "K" weight.
- For special setting or resetting requirements, contact factory.

NOTE: 2" meter setters can be easily converted to 1 1/2" meter setters by cutting 4" out of 1" cross tube and/or bypass cross tube. Order 20A76 adapter kit to convert bottom inlet and outlet connections from 2" FNPT to 1 1/2" FNPT. Two bushings are provided with each kit, thread sealant should be used.

OPTIONS

- Insert stiffeners are required on all flexible plastic connections
- Not all combinations available, contact factory.

Meter Dimensions



Meter Size	5/8"	3/4" Short Meter, 5/8" x 3/4"	3/4"	3/4" x 1"	1"	1 1/2"	2"
A-Meter Threads	3/4"	1"	1"	1 1/4"	1 1/4"	Oval Flange	Oval Flange
B-Lay Length	7 1/2"	7 1/2"	9"	9"	10 3/4"	13"	17"
A.Y. McDonald Spacing*	7 13/16"	7 13/16"	9 5/16"	9 5/16"	11 3/32"	13 1/4"	17 1/4"

*Allows for meter and two gaskets.

5/8", 5/8" x 3/4", 3/4", & 1" | Series 740, 741, 742, 743, 744, 745, 746, 747, 748, 749

A.Y. McDonald Mfg. Co. is pleased to present its extensive line of copper meter insetters. These fine, high quality products offer the end user greater versatility due to the wide variety of end connections, heights, valve options, sizes, and special configurations.

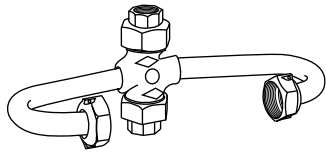
Versatility. That's the theme of our complete and flexible line of copper meter insetters. It also describes our system of model numbers. If you have requirements that are not contained in this catalog, please contact our customer service department at 1-800-292-2737. Our professional staff will be happy to work with you to select the product that will fit your needs.



- All cast brass parts conform to latest revision of AWWA C800.
- Copper tubing has a 13/16" O.D. for 5/8", 5/8" x 3/4" or 3/4" meter setters and 1 1/8" O.D. for 1" meter setters.
- Solder is no-lead.
- NSF rubber gaskets are furnished as standard. Contact factory for fiber or leather gaskets.
- All meter setters tested air under water at 85 PSIG.
- All meter swivel nuts have wire seal hole.
- Lockwing ball style meter valves are standard.
- All copper meter setters can be supplied with a test valve on the outlet tubing.
- For dual check backflow valves, see Single & Dual Check section.
- Unless specified all Components have meter nuts without saddles.

Model number **740** **-2** **--** **--** **MF** **33** means...

Engineering



Series

740-2----MF 33

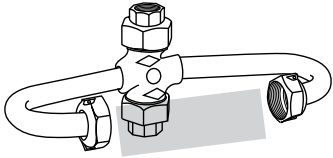
No-Lead Copper Meter Insetter Series

740, 741, 742, 743, 744, 745, 746, 747, 748, 749

Meter Size

740 **-2** ----MF 33

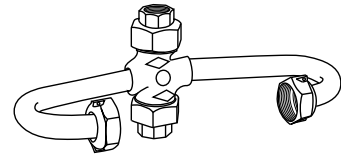
- 1 = 5/8" Meter
- 2 = 5/8" x 3/4" Meter
- 3 = 3/4" Meter
- 4 = 1" Meter



Tube Height

740 -2 -- --MF 33

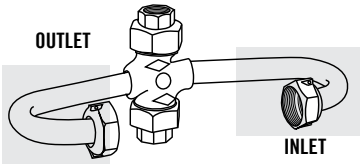
Not Applicable



Inlet/Outlet Valve Configuration

740 -2-- -- MF 33

Not Applicable for 740-1, 740-2, 740-3, series only

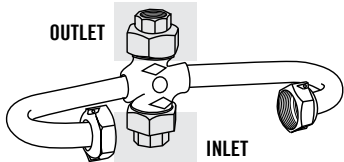


Inlet/Outlet End Connections

740 -2---- **MF** 33

- C = Copper Flare
- D = Double Purpose (Flare or FNPT)
- F = Female Union
- M = Male Union
- P = MNPT (No Coupling)
- Q = Q CTS
- S = Solder Union
- T = T CTS
- Z = -3Q PEP
- 2 = -22 CTS Mac-Pak
- 3 = -33 PEP-7 Mac-Pak
- 4 = -44 PVC Mac-Pak
- 5 = -55 IP Mac-Pak

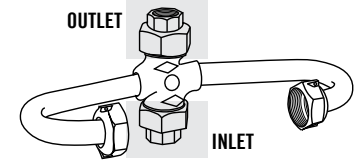
•Not all end connections available on all styles of meter setters.



Inlet/Outlet End Sizes

740 -2---- MF **33**

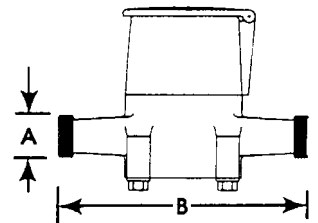
- 1 = 1/2"
- 2 = 5/8"
- 3 = 3/4"
- 4 = 1"



Meter Dimensions

Meter Size	5/8"	3/4" Short Meter, 5/8" x 3/4"	3/4"	3/4" x 1"	1"	1 1/2"	2"
A-Meter Threads	3/4"	1"	1"	1 1/4"	1 1/4"	Oval Flange	Oval Flange
B-Lay Length	7 1/2"	7 1/2"	9"	9"	10 3/4"	13"	17"
A.Y. McDonald Spacing*	7 13/16"	7 13/16"	9 5/16"	9 5/16"	11 3/32"	13 1/4"	17 1/4"

*Allows for meter and two gaskets.



715 & 716 Series - Single, Dual & Tandem

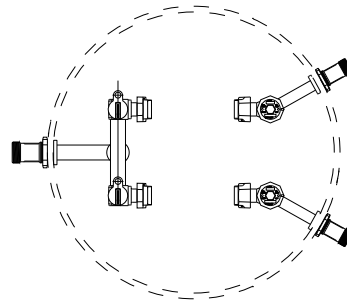
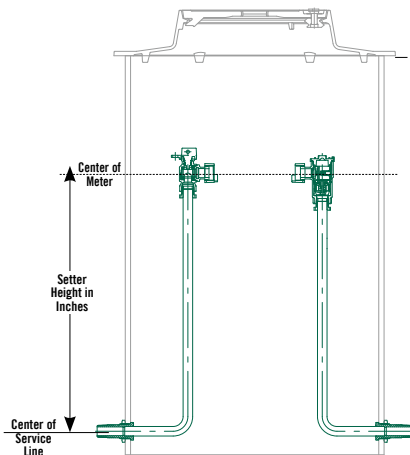
Series 715, 716, 780, 783, 7180, & 790 | Pit Assembly - Yoke, Flat Lid, & Coiled | Single, Dual & Tandem

Risers Only for 5/8" to 1" Threaded Meters

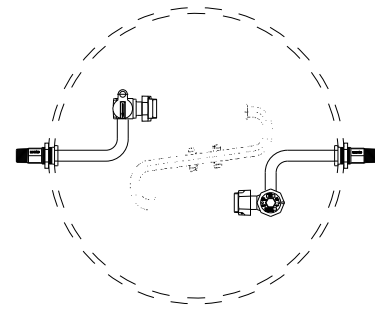
The A.Y. McDonald 715 series meter setter is designed for installation into your pit shell. Using your specific design criteria, the 715 series will provide the internal meter setting with valves, risers, and connections you call for. Pit diameter, wall thickness, and service line bury should be carefully considered when ordering the 715 series meter setter. Typical meter depth from the surface, or grade level, is 14", however you are in control when you apply this setter.

The frame and cover selection for this setting will also affect the overall height of the 715 series. As these castings will alter the distance from grade level to centerline of installed meter, and top of meter pit. For assistance in designing your 715 series meter pit, we recommend you review the 780 series complete meter pit assemblies in this brochure or contact our customer service department.

Typical 715 Series Installation



715 Series - Dual



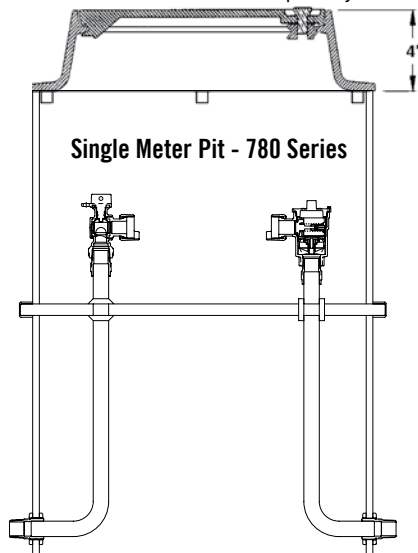
716 Series - Tandem

NOTES - All cast brass meets latest revision of AWWA C800.

780 Series - Pit Assembly

For 5/8" to 1" Threaded Meters

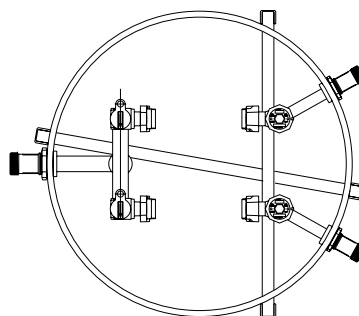
See Frame & Cover Section for optional frames and covers sold separately.



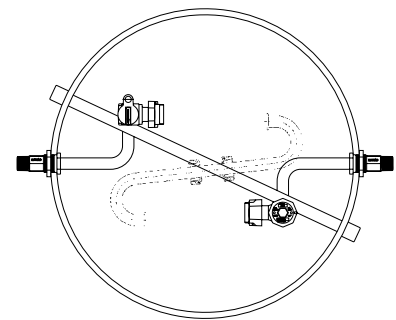
Single Meter Pit - 780 Series

A.Y. McDonald Mfg. Co. offers a quick and easy way to install your water meter. The series 780 for threaded meters is delivered completely assembled, is fully tested prior to leaving the factory, built to your specifications, and is set into service as a unit. This unit can be installed in minutes.

The 780 series assembly includes a smooth wall PVC shell, risers, and meter valves. Various service line connection styles are available or sold separately. Also taken into consideration when sizing the series 780 pit assembly is the service line depth and the wide range of covers available and sold separately.



Dual Meter Pit 781 Series



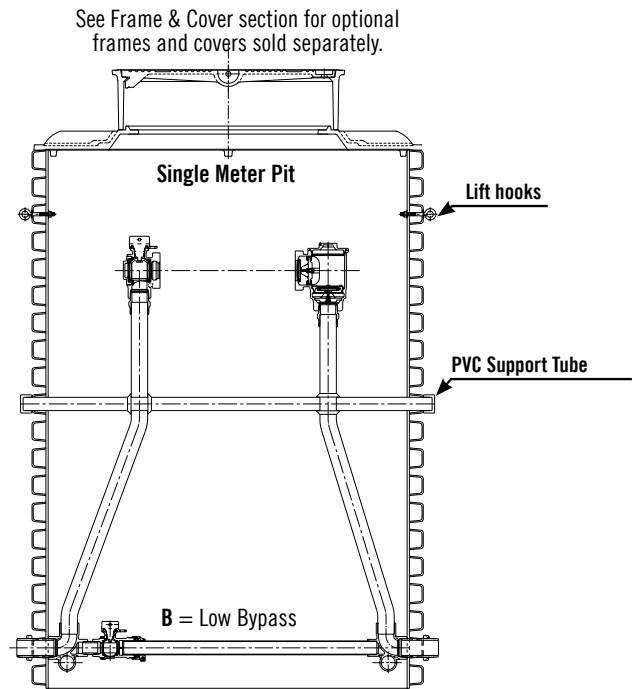
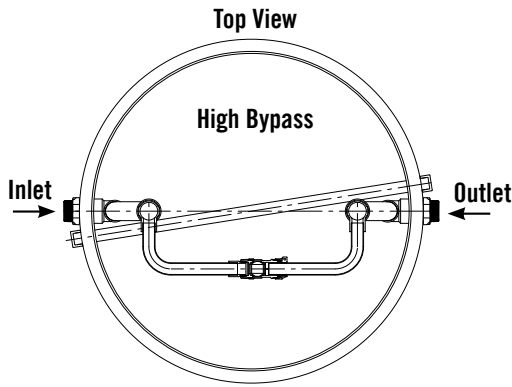
Tandem Meter Pit 782 Series

780 Series - Pit Assembly

For 1 1/2" and 2" Flanged Meters

A.Y. McDonald Mfg. Co. offers a quick and easy way to install your water meter. The series 780 for flanged meters is delivered completely assembled, is fully tested prior to leaving the factory, built to your specifications, and is set into service as a unit. This unit can be lifted into place with pre-installed lift hooks, and installed in minutes.

The 780 series assembly includes a corrugated PVC shell, risers, and flanged valves. Standard MNPT connections can be adapted to nearly any service line. Adapter ring and cover are sold separately.



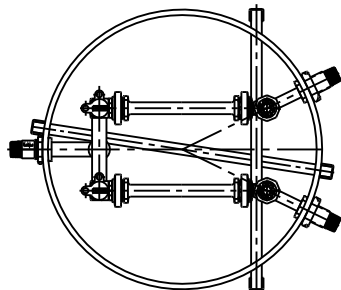
- High bypass option is offset to right side of meter
- Includes shut-off
- Dual check option available in bypass

783 Series - Yoke Pit Assembly

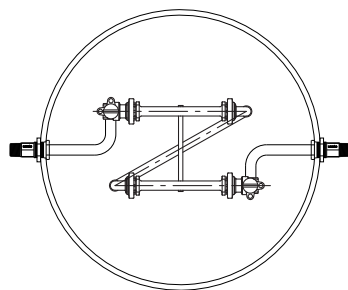
For 5/8" to 1" Threaded Meters

A.Y. McDonald Mfg. Co. offers a quick and easy way to install your water meter. The series 783 yoke style pit assembly is designed for 5/8" to 1" threaded meters. The 783 series is delivered completely assembled, is fully tested prior to leaving the factory, built to your specifications, and is set into service as a unit. This unit can be installed in minutes.

Comes complete with service line connections, risers, valves, and iron yoke meter cradle. May be ordered with or without meter expansion connection. Also taken into consideration when sizing the 783 series pit assembly is the service line depth, and optional frame and cover sold separately.

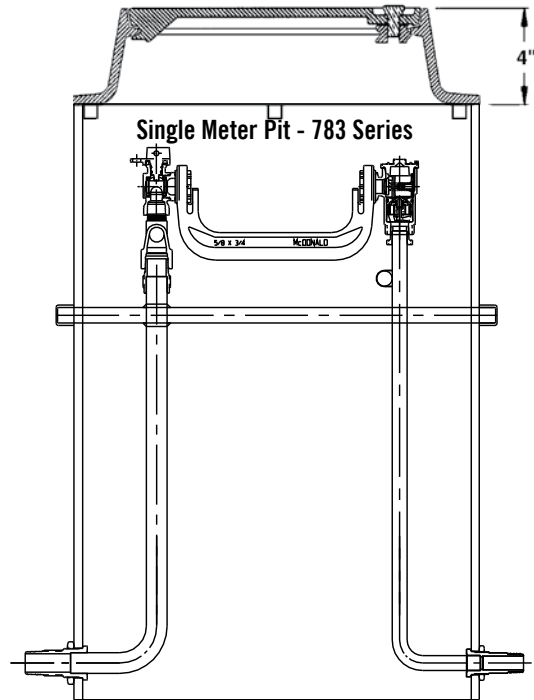


Dual Meter Pit 784 Series



Tandem Meter Pit 785 Series

See Frame & Cover section for optional frames and covers sold separately.



7180 Series - Flat Lid Pit Assembly

For 5/8" to 1" Threaded Meters

A.Y. McDonald Mfg. Co. offers a quick and easy way to install your water meter in a shallow setting. The series 7180 inline meter setting is delivered completely assembled and is fully tested prior to leaving the factory.

Each meter box assembly comes standard with a rigid PVC shell, AWWA compliant water service brass fittings, and valves, and NSF meter gaskets. Options include aluminum bottom closure, insulating pads, and several lid styles. Various service line connection styles are also available upon request. This versatile meter box can be sized to fit any standard size water meter and is easily adapted to remote read options.

Available for single, dual, and tandem meter installations.

FEATURES

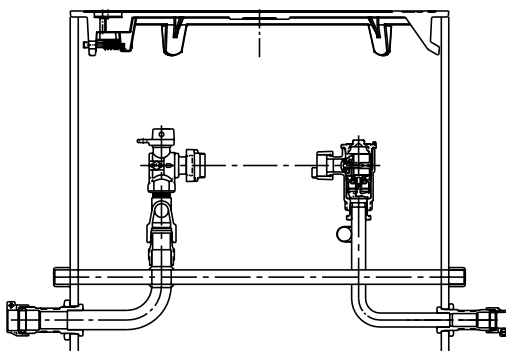
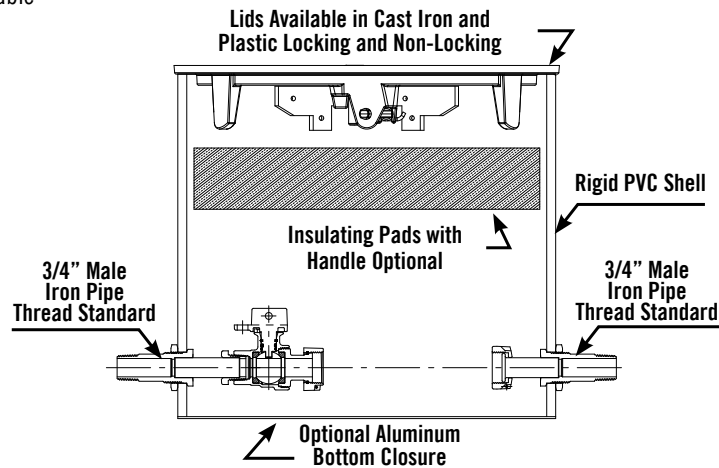
- Rigid PVC Shell
- Fully assembled
- White interior
- Factory tested
- All cast brass meets latest revision of AWWA C800
- Sized to fit your meter
- Compression connection available
- Adaptable to meet your needs

See Frame & Cover Brochure for optional frames and covers sold separately.

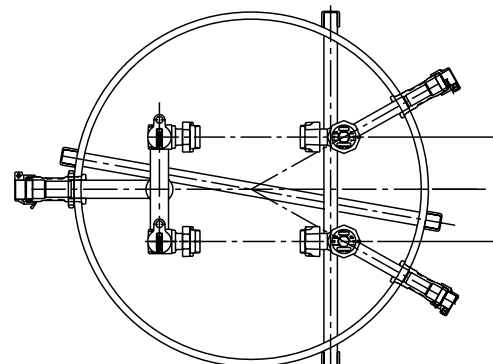


Top View - With Meter & Shut-Off Valve

Not all combinations are available - Contact Factory.



Single 7180 Series



Dual 7180 Series

790 Series - Coil Pit Assembly

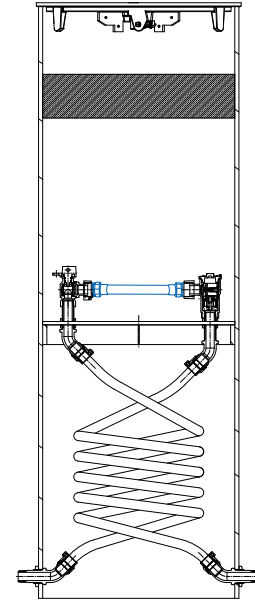
FOR 5/8" TO 1" THREADED METERS

The A.Y. McDonald Coil Pit Setter provides a means to allow a meter to be read and maintained even though it is set deep in the ground to resist freezing. The Coil Pit Setter is designed with the meter installed on a platform that normally sets near the bottom of the box where the ground temperatures are warmer. The meter and platform are connected to the service line by coils of tubing which allows the meter and platform to be raised to the surface for service or replacement.

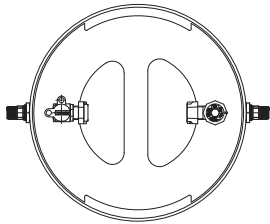
The body of the meter box is rigid PVC of various diameters. For extremely cold climates, an optional insulating pad is available which traps the relatively warm air rising from the earth, inside the meter box.

A.Y. McDonald Coil Pit Setters are shipped fully assembled, ready for meter and service line installation. Their light weight saves shipping costs and makes installation a one man job in most cases. Every box is factory tested and has a 150 psig maximum working pressure rating.

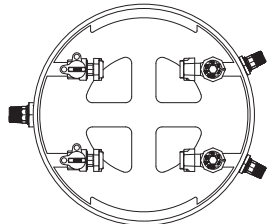
A.Y. McDonald Coil Pit Setters are available in single, dual, and tandem settings for 5/8" to 1" meters. A wide variety of end connections, control valves, box depths, lids and other options are available. Due to the almost endless combination of features offered, each meter box is custom built to your specifications.



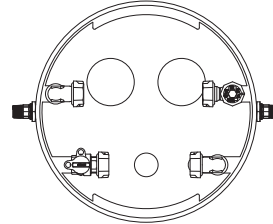
See Frame & Cover section for optional frames and covers sold separately. 790 series flat cover sold separately



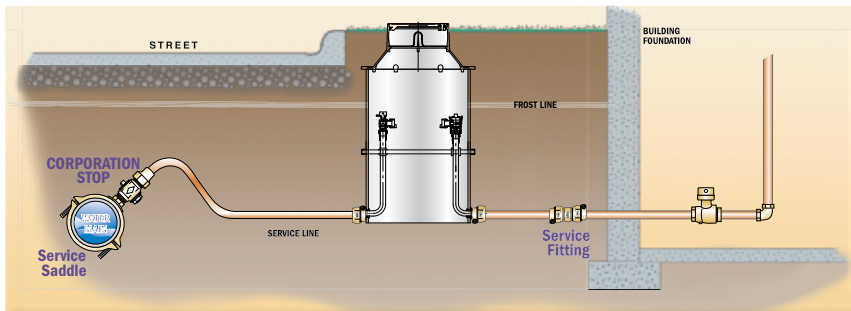
790 Series - Single



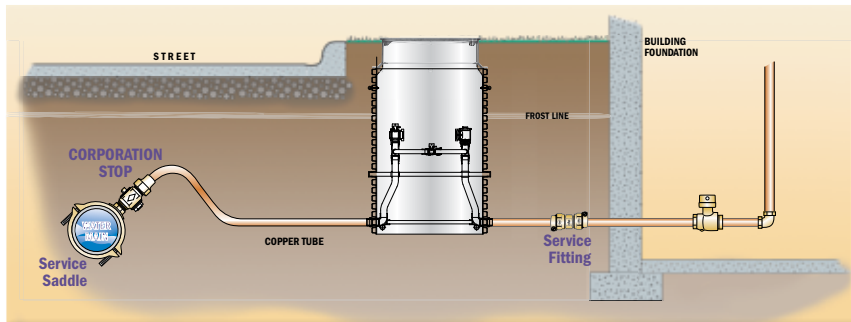
791 Series - Dual



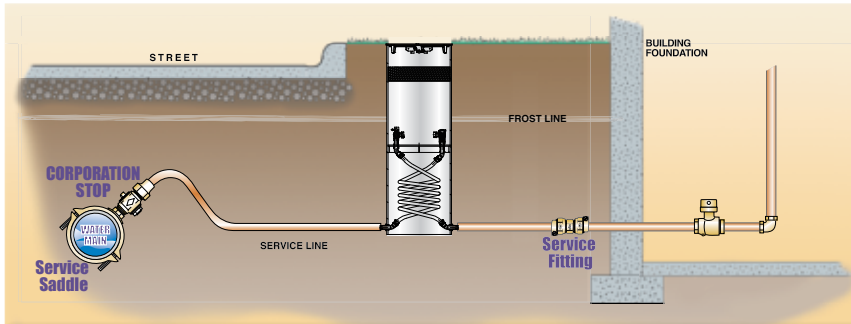
792 Series - Tandem



5/8", 5/8" x 3/4", 3/4" & 1" Meter Installations



1 1/2" & 2" Meter Installations



Coiled Pit Installations

Engineering

Meter Box Frames & Covers

Series 774M, 74MA, 74MC, 74MPR, 74MW, 74MX, 74R, 90L | Recessed & Non-Recessed | Rotational

A.Y. McDonald Mfg. Co. is pleased to offer a competitively priced line of superior quality cast iron meter box frames and covers made in North America. This line of products is designed for lawn and sidewalk installations. Contact factory for interchangeability options with other manufacturer products.

Features

- Extra heavy covers available on certain models. Contact factory for further information.
- Both flush mount and recessed covers available.
- Frames have cast centering lugs to center tile.
- Covers can be supplied for use with remote read meters.
- Covers can be private labeled (minimum order quantity is required). Contact factory for further information.
- Cast iron riser rings available with inner lid for use in colder climates.
- Locking worm gear swedged onto bronze pentagon bolt.
- Pentagon bolt available in two sizes.
- Extension rings available for 18" and 20" frames.

Materials

- Gray cast iron.
- Black paint coating.
- Bronze pentagon bolt/lifter style.
- Cast iron worm gear lock swedged to bronze pentagon bolt.
- Washers: (1) copper (1) plastic.



"M" Style



"A" Style



"C" Style

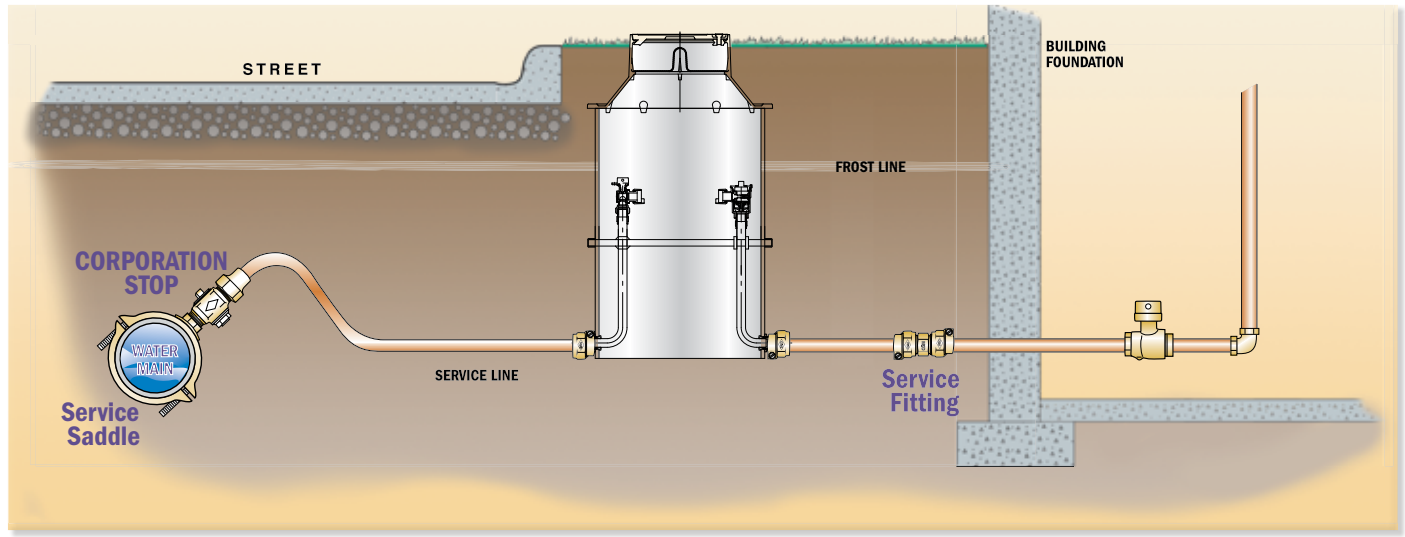


"W" Style



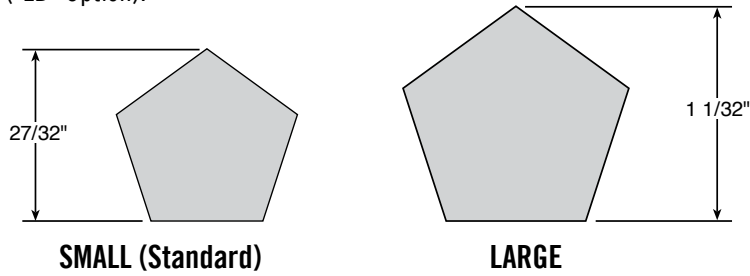
"R" Style

Typical Installation with Pit

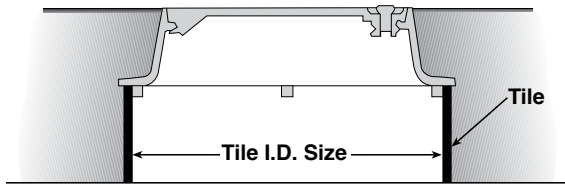


Pentagon Bolts

- Small water works pentagon bolt furnished as standard.
- Large pentagon bolt available ("LB" Option).



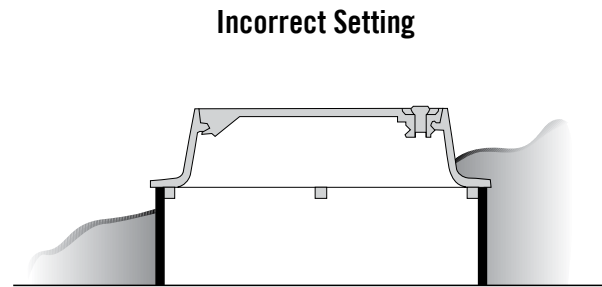
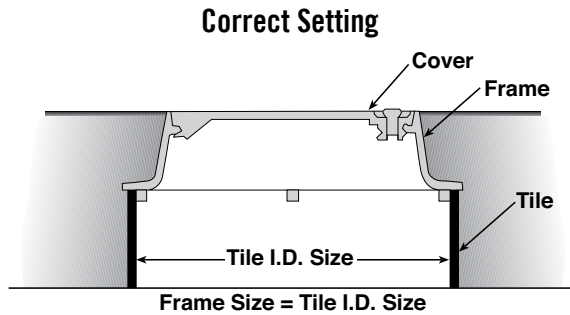
Easy Selection Guide for Tile Sizes



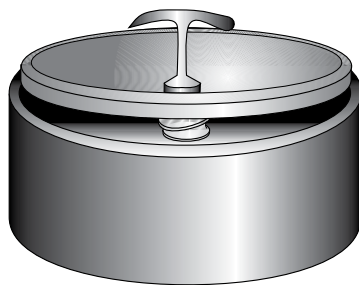
METER
FRAME
& COVER
OPTIONS

Models	Tile Sizes						
	15	18	20	21	24	30	36
74M					•	•	•
74MA	•	•	•	•			
74MC	•	•	•	•			
74MPR				•			
74MW	•	•	•	•			
74MX		•	•		•	•	•
74R		•	•				

Meter Box Frames & Covers Installation



1. Make sure the frame and cover fits securely onto the meter pit. A.Y. McDonald Mfg. Co. frames have positioning lugs that extend from bottom of frame to prevent the frame from sliding off of the meter pit.
2. Backfill around the frame and make certain the grade is level with the top of the cover. This will help avoid a tripping hazard.
3. Install cover onto frame and lock securely into place. Standard locking style covers are preferred in order to prevent unauthorized removal which could cause a safety hazard. If a lockless style cover is specified, make certain it fits properly into the frame and is not subject to sliding or tipping out of position. Lockless lids have extra long alignment lugs to help keep the lid in place.
4. Frames and covers are designed as a unit and it is not a good practice to intermingle frames and covers from various manufacturers. User assumes all risk of mixing A.Y. McDonald frame and cover with another manufacturer's frame and cover.
5. Check on a regular basis to ensure proper operation of locking devices and to make certain the meter box cover remains at ground level.



All locking covers feature a unique "worm" type gear. Two things happen as the key is turned and the cover is opened:

1. The cast iron worm gear rotates, applying a powerful screwjack action between the cover and frame to break any seal of ice or dirt.
2. The key attaches itself to the bronze pentagon bolt, forming a lifter handle for the cover, then automatically disengages from the bolt as the cover is locked.



Frame



Cover

Electronic Meter Reading Covers

A.Y. McDonald Mfg. Co. covers are available with 2" holes for a remote electronic meter reading module. These covers are especially configured for this purpose and are manufactured so that the electronic meter reading module will seat against a flat surface.

To Order: For single hole electronic meter reading covers, add one catalog number suffix letter to the model number (Example "T").

Example: When adding a single hole to a 74M32W frame and cover (for the installation of a single TouchRead™ module) the model number would be **74M32WT**. Add two T's for a Double Hole Electronic Meter Reading Cover. For example, **74M32WTT**.

Electronic Meter Reading Covers with Removable Plug

An optional cast iron plug (removable for future electronic meter reading module installations) is available for all electronic meter reading covers. This option is designated with a "TP" for a single hole with plug cover, or a "TTPP" for a double hole with double plug cover. **Example: 74M32WTP.**



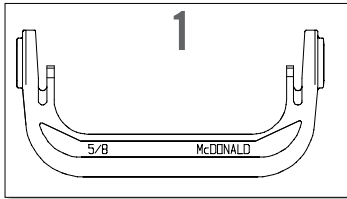
NOTE: Not all holes available on all covers.

Iron Yokes

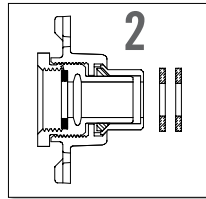
Yoke Bars | Angle & Straight Valves | Yoke Couplings | Angle Single Check Valves | Inline & Angle Dual Check Valves | U-Branch & Yoke

How to Order

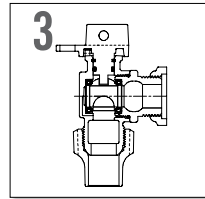
Be sure to order one of each to make up a complete assembly.



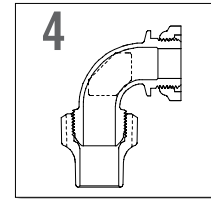
Cast Iron Yoke



Expansion Connection



Inlet Valve or Coupling



Outlet Valve, Coupling, or Dual Check Valve

Ball Valve Size Description

SIZE means: $\frac{3}{4}$ x $\frac{5}{8}$ x 01

End Connection Ball Opening Size

Meter Size
01 = 5/8"
02 = 5/8" x 3/4" or 3/4"
04 = 1"

Coupling Size Description

SIZE means: $\frac{3}{4}$ x 01

End Connection Meter Size

01 = 5/8"
02 = 5/8" x 3/4" or 3/4"
04 = 1"

Yokes Assemblies

Single Settings
714G425LEFF66



Dual Yoke Settings
714H425LEFF44



Tandem Yoke Settings
714-2--WY22 332



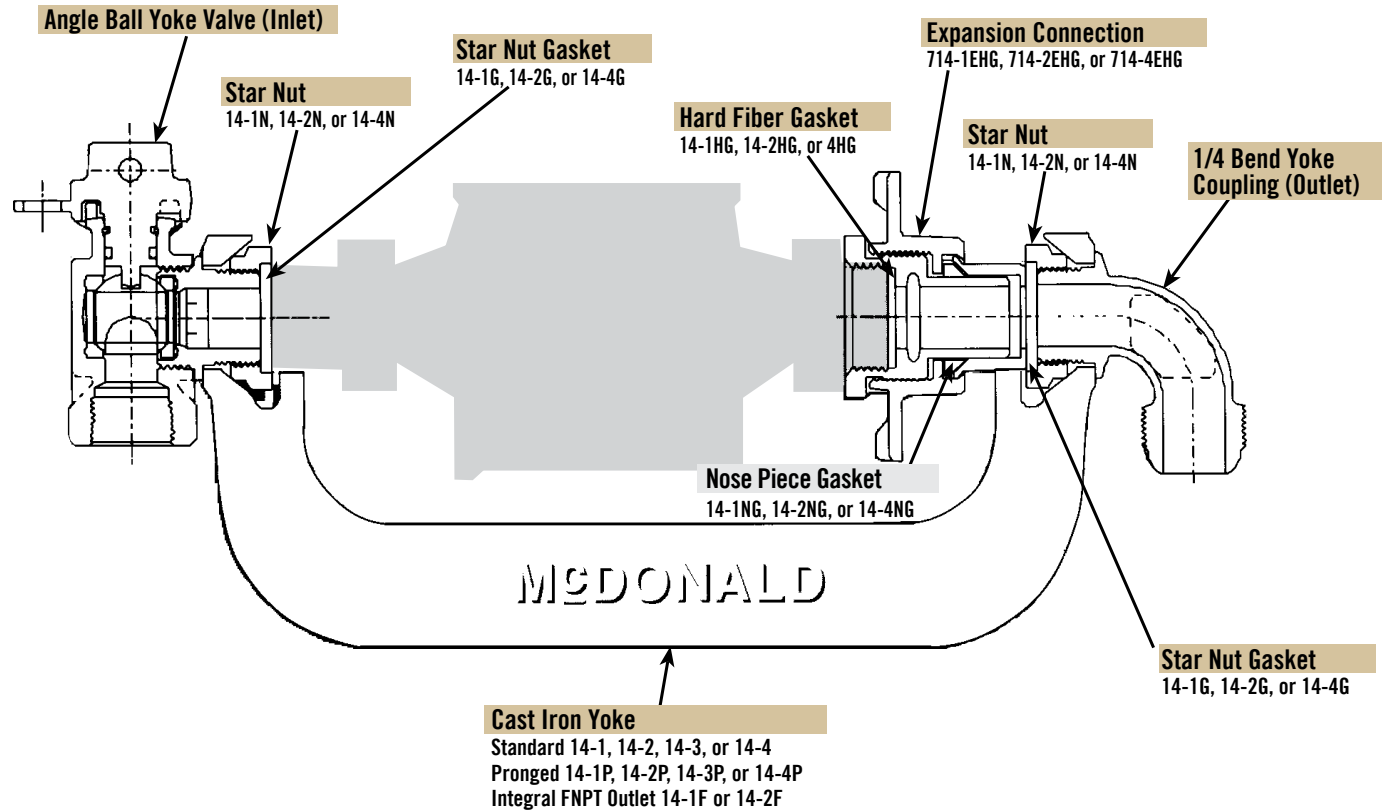
Yoke Bar Assembly Only
with Tie Bar

14-2-1TB,
14-2-2TB,
14-2-3TB,
14-4-4TB



THERMAL EXPANSION WARNING - Creating a "closed" condition in a hot water system with the installation of a non-return barrier (such as a Check Valve or Backflow Preventer between the system piping and the public supply) can result in extreme pressure rises caused by thermal expansion and/or water hammer. This thermal expansion can damage piping, valves, and other Components in the system. The installation of a pressure relief device or thermal expansion tank can avoid possible damages.

General Information



NOTES

- All cast brass parts comply with latest revision of AWWA C800.
- Yoke bar material is ASTM A126 Class B cast iron.
- All rubber gaskets are EPDM.
- Ball valves are rated at 300 PSIG water pressure - (See Meter Valve section).
- Plug valves are rated at 100 PSIG water pressure - (See Meter Valve section).
- Cast iron yoke is powder coated.
- Cast iron yoke has support lip to hold meter and expander during installation.
- Three piece brass expander has large tightening spokes and includes two star nut gaskets.

Meter Boxes - Yokebox & Longbox

Series 775 Yokebox | Series 776 Longbox | Series 777 "CR" Box

A.Y. McDonald Mfg. Co. Meter Boxes are complete, compact meter-setting packages, which are installed as a unit. They are the ideal water meter housing for moderate and warm climates. Meter Boxes provide automatic alignment for the water meter, which can be inserted any time during or after installation.

The body and lid are made of durable cast iron (ASTM A-48, Class 25 minimum) to provide many years of trouble-free service. The inlet, outlet, and expansion connection are manufactured of brass and meet or exceed the current AWWA Standard C800. All dual check valves are ASSE 1024 approved.



775 SERIES YOKEBOX

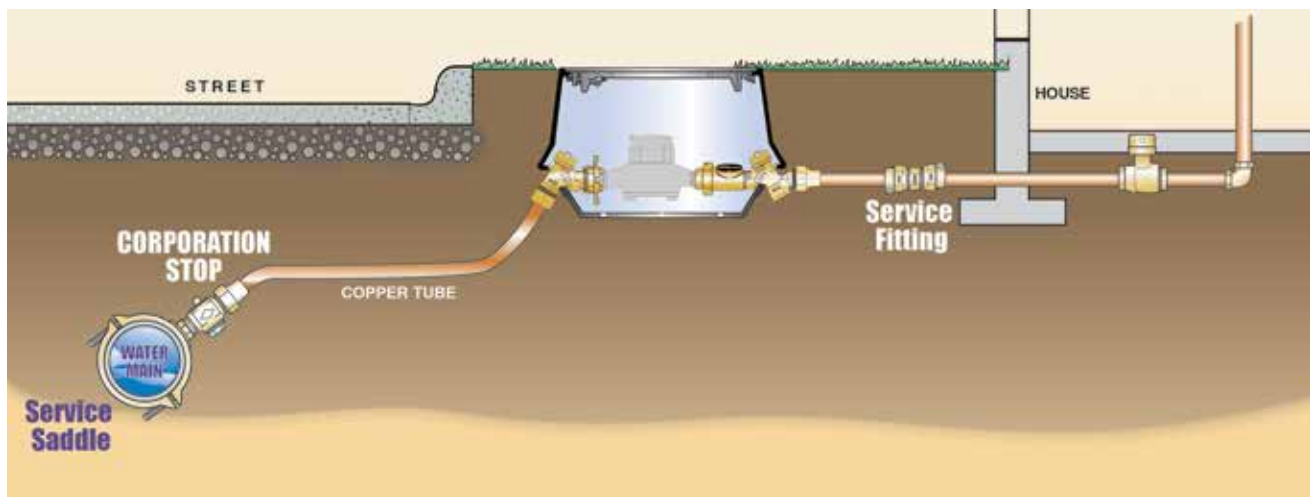
Yokeboxes are more compact. An inline dual check valve may be integral to the yokebox or installed outside the yokebox.



776 SERIES LONGBOX

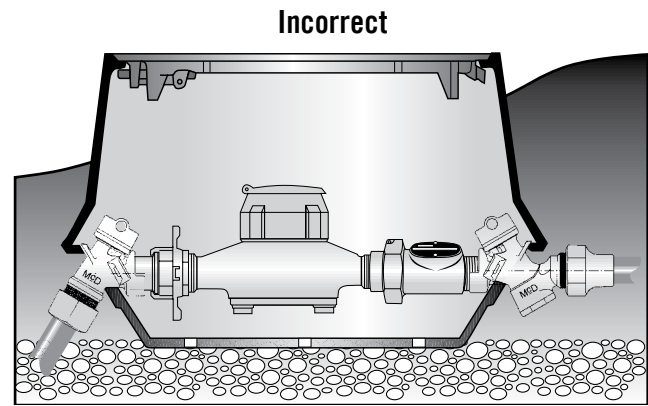
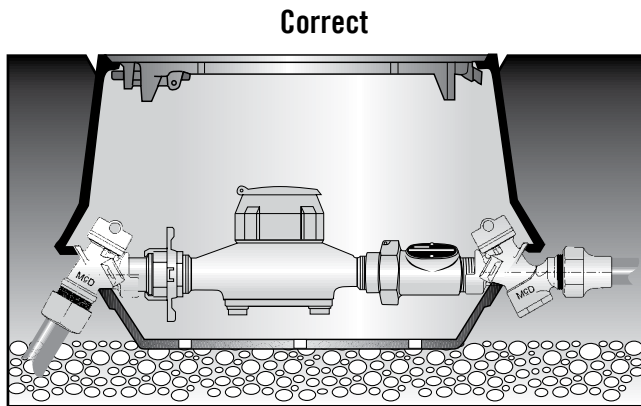
Longboxes include an inline dual check valve inside the box.

Common Meter Box Installation



Installation

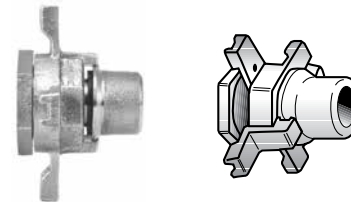
Engineering



1. Backfill to make certain the grade is level with the top of the box. This will help avoid a tripping hazard.
2. Lock lid securely into place. Locking style lids are preferred to prevent unauthorized removal which could create a safety hazard. If a lockless style lid is used, make certain it fits properly into the frame and is not subject to sliding or tipping out of position. A.Y. McDonald lockless lids have extra long alignment lugs to deter improper lid placement.
3. Lids and boxes are designed as a unit. Components are not interchangeable with other manufacturer's products. A.Y. McDonald is not responsible for users replacing or interchanging meter box lids with other manufacturers products.
4. Check periodically to ensure correct operation of locking devices and to make sure the lid remains at ground level.

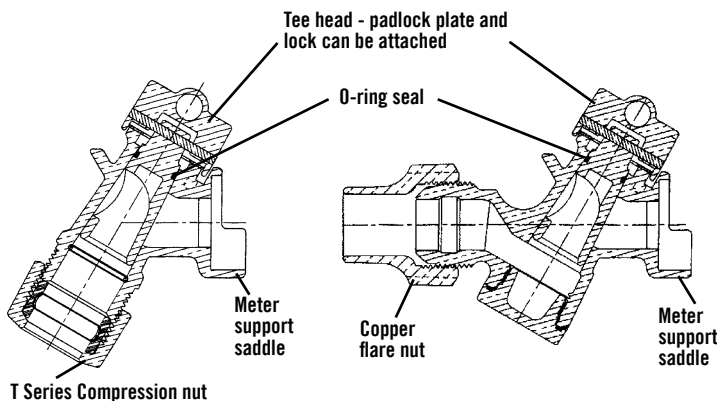
Expansion Connection

Longboxes and yokeboxes include a handwheel style expansion connection, eliminating the need for a wrench during meter changeouts.



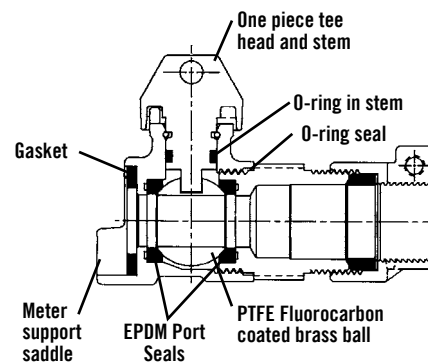
Plug Valve Features

The plug valve holds the plug in place using a drive pin and a spring washer. An o-ring provides additional leakage protection. Angle valves are 60° from horizontal. A variety of inlet and outlet couplings are available for copper or plastic tubing, PVC, PE, or iron pipe. Plug valves are rated to 100 PSI.



Ball Valve Features

The ball valve features a solid one piece tee-head and stem. An o-ring in the stem assures a watertight seal at the top. Molded rubber seats support the ball. The PTFE fluorocarbon coated brass ball will provide years of maintenance free service. A variety of inlet and outlet couplings are available for copper or plastic tubing, PVC, PE, or iron pipe. Ball valves are rated 300 PSI.

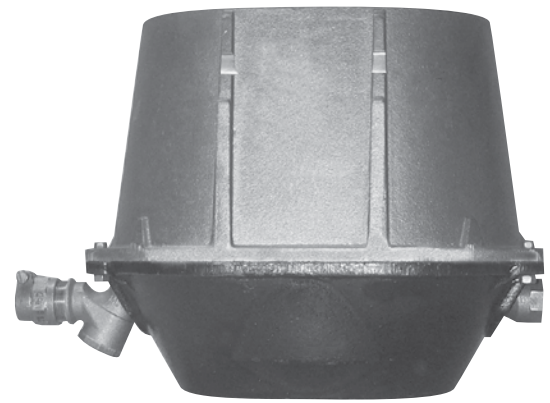


Series 775

5/8" or 5/8" x 3/4" Meters

Straight and angle valves are available for the yokebox inlet and outlet, 8" bury is standard. Angle valves are 60° from horizontal. Straight back flow or connection outlets are available. Cast iron base keeps out dirt, mud, and pests, resulting in a cleaner meter. Holes in the base provide drainage.

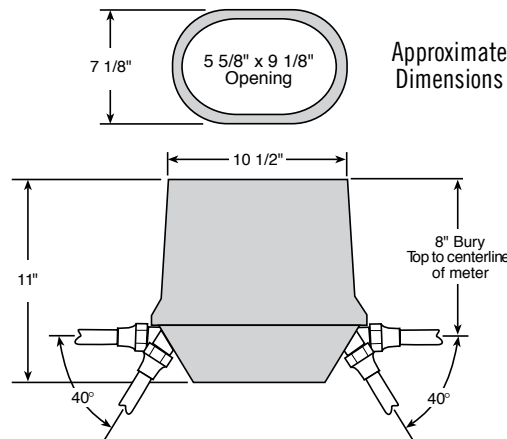
Cast iron base, upper section, and lid are black dip coated to prevent rust. Expansion connection and gaskets are also included with package. Designed for use with above or below ground potable water applications with temperature range of 34° -100°F.



Engineering

A standard fully assembled yokebox includes:

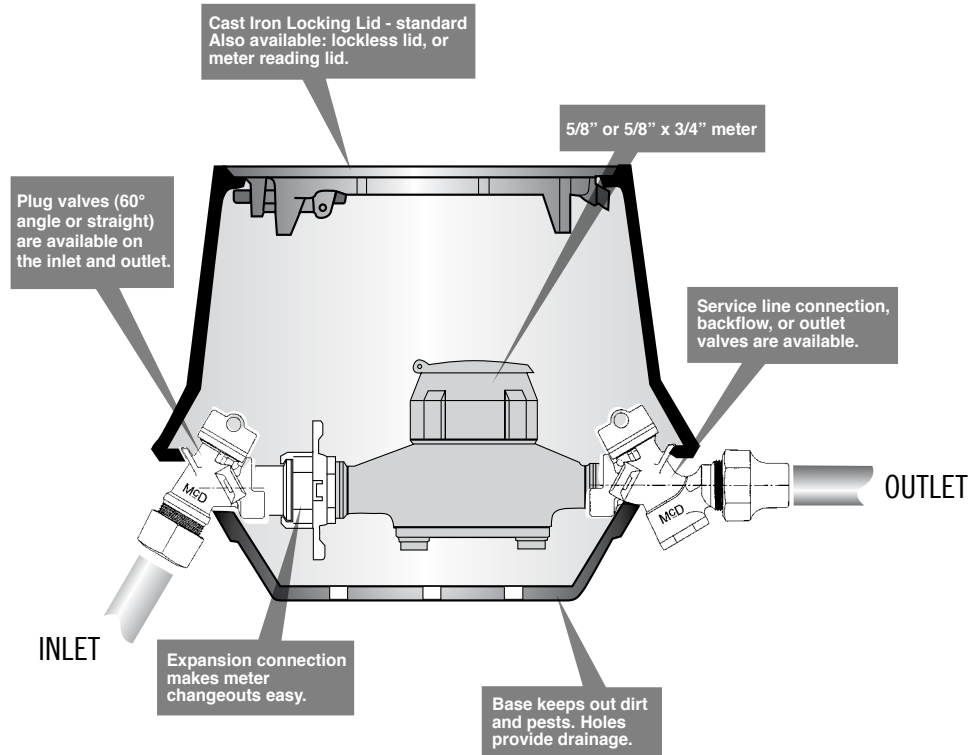
- Cast Iron Base
- 5/8" x 3/4" meter standard
- Upper Section (Cast Iron or Plastic)
- Cast Iron Locking lid standard
- Lockless and Plastic lid available
- Inlet and Outlet Connection
- Shallow center line of meter 8" below grade



NOTE: All combinations may not be available with all models. Contact factory for further information.

LID OPTIONS

For custom logo lids, contact factory.



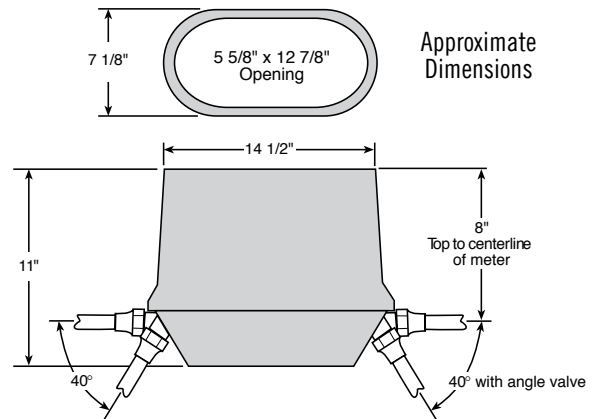
Series 776

5/8" or 5/8" x 3/4" Meters

Straight or angle valves are available for the longbox inlet and outlet, 8" bury is standard. Angle valves are 60° from horizontal. Straight connection outlets are also available.

Cast iron base keeps out dirt, mud, and pests, resulting in a cleaner meter. Holes in the base provide drainage. Cast iron base, upper section, and lid are black dip coated to prevent rust. Expansion connection, gaskets, and ASSE 1024 inline dual check valve are included with package.

Designed for use with above or below ground potable water applications with temperature range of 34° -100°F.



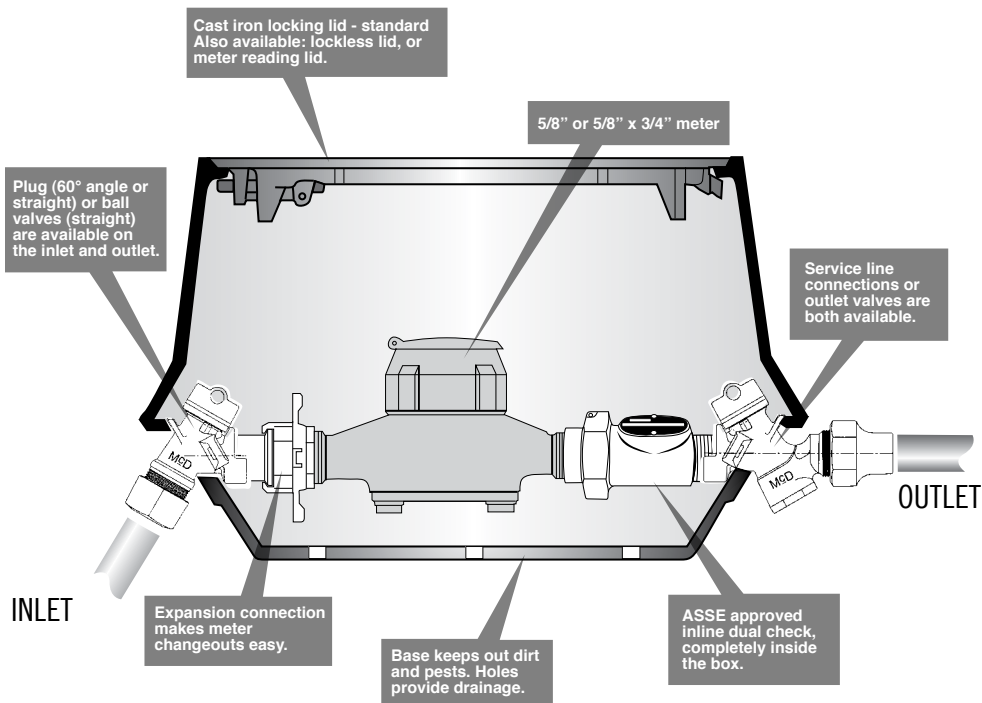
A standard fully assembled longbox includes:

- Cast Iron Base
- 5/8" x 3/4" meter standard
- Upper Section (Cast Iron or Plastic)
- Cast Iron Locking lid standard
- Lockless and Plastic lid available
- Inlet and Outlet Connection
- Shallow center line of meter 8" below grade

NOTE: All combinations may not be available with all models. Contact factory for further information.

LID OPTIONS

For custom logo lids, contact factory.



Engineering

Series 777

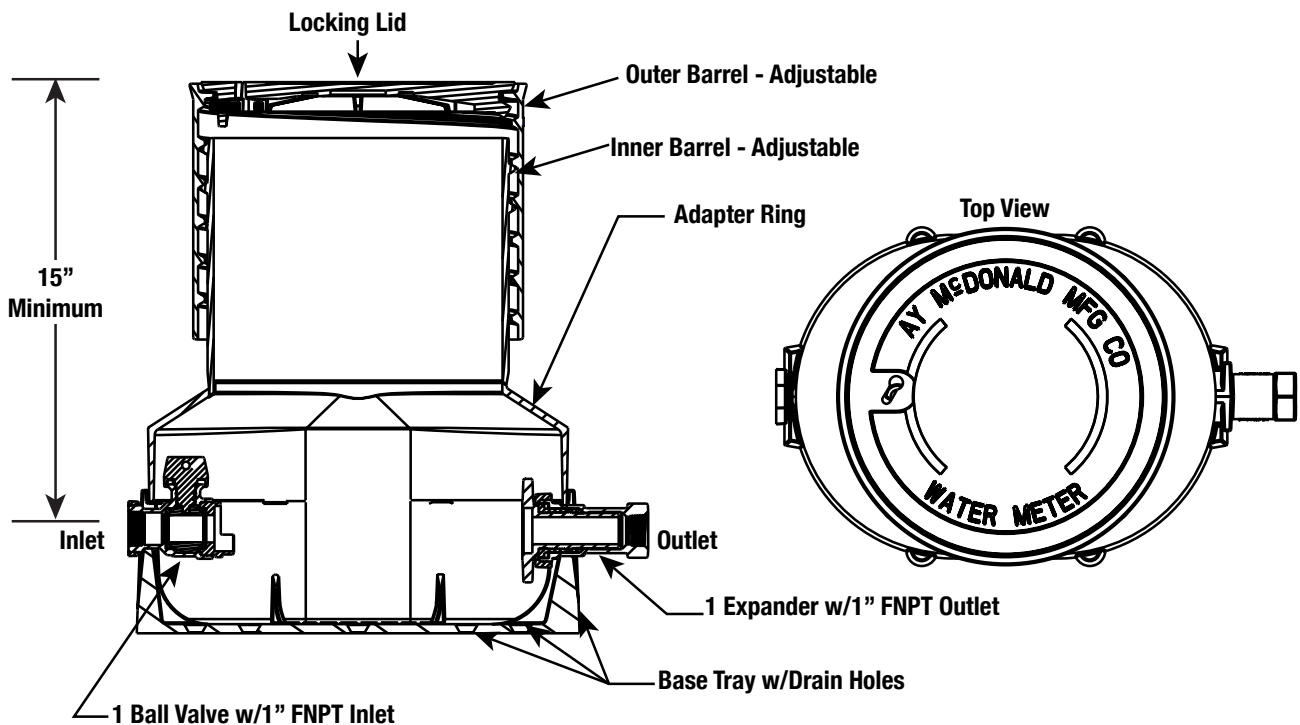
5/8", 5/8" x 3/4", 3/4", or 1" Meters

A.Y. McDonald Mfg. 777-Series meter box offers versatility in design and adaptability in service line connections. Adjustable to unexpected grade changes and service line specifications. The 777 Series provides a protective cast iron housing for water meters to one inch size and service line depths of 11 – 20". Options are available including integral Compression on 5/8" and 5/8" x 3/4" sizes, connection adapters, non-locking lids, lids for radio and touch read technology, and stationary non-adjustable top sections. Designed for use with above or below ground potable water applications with temperature range of 34° - 100°F. Brass conforms to AWWA C800 Latest Revisions.

Drainage Holes in Base Casting. Cast iron base, upper section, and lid are black dip coated to prevent rust.

A standard fully assembled "CR" Meter Box package includes:

- Cast Iron Housing Construction
- Adjustable Top Section
- 300 PSI rated Ball Style Inlet Valve
- Female Pipe Thread Connections
- Integral Expansion Connection to the Meter
- Cast Iron Locking or Lockless Lid



1" 777 SERIES "CR" BOX SHOWN



Corporation Stops

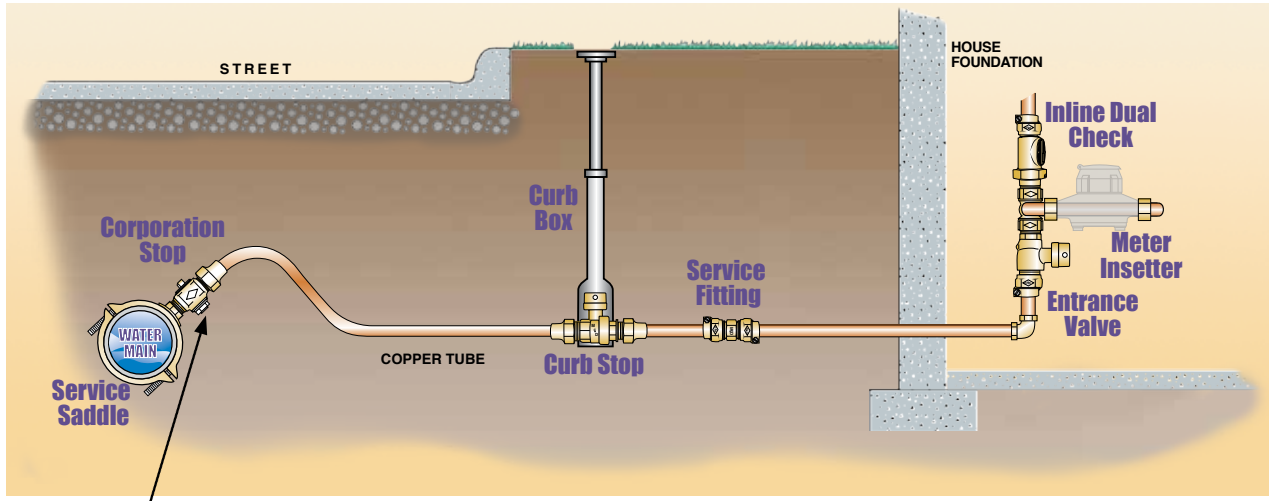


Corporation Stops

Water Works Catalog / Price List - July 2017

MORE THAN A BRAND. WE'RE A FAMILY.

Water Service Lateral



The Corporation Stop is the initial control valve of the service line.

Table of Contents

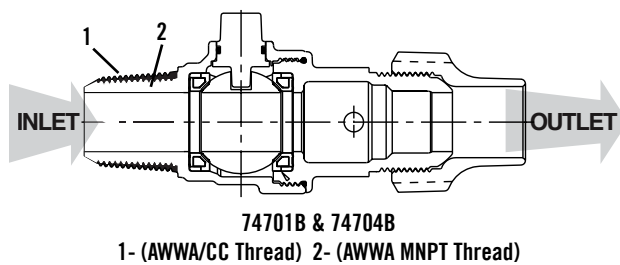
	Page		Page
Engineering/Technical Information.....	68-73	Plug Style - Threaded Inlets/Outlets.....	84
Ball Style - AWWA Inlet.....	74	73210 & 73120B Corporation Stops.....	85-87
Ball Style - MNPT Inlet.....	75	1/8 Bend Couplings used with 73120 & 73120B Corp Stops.....	86
Ball Style - Threaded Inlets/Outlet.....	76	Fixed Female Special Purpose.....	86
Ball Style Curb Corps with Removable Tee Heads.....	77-78	Swivel Female Special Purpose.....	86
Ball Style Curb Corps with Non-Removable Tee Heads.....	79-80	1/4 Bend Couplings used with 73120 & 73120B Corp Stops.....	87
Ball Style - Curb Corps.....	77-80	Fixed Female Special Purpose.....	87
Ball Style with Dielectric Bushings.....	81	Swivel Female Special Purpose.....	87
Plug Style - AWWA Inlets.....	82	Accessories.....	88-91
Plug Style - MNPT Inlets.....	83	Extra Long Lead Pipe Flanged Corps.....	88
		AWWA Corp Thread Fittings.....	88
		Nut & Gasket Assemblies.....	89-90
		Plugs.....	91
		Washers & Gaskets.....	91

Ball Style Corporation Stops

A.Y. McDonald Ball Style Corporation Stops come standard with 360° operating head and are designed for low turning torques and high pressures (300 PSIG). The PTFE coated brass ball is supported by two blow-out proof EPDM seals. The endpiece joint is sealed with an EPDM o-ring and thread locker. There is no metal-to-metal contact between the ball and the body which can cause higher torque and increased wear. The bubble-tight feature at 300 PSIG makes these valves a better choice than a plug valve when test or operating pressures over 100 PSIG are expected. All A.Y. McDonald Ball Style Corporation Stops are available with a wide variety of outlet connections. They are manufactured to meet or exceed the AWWA C800 (latest revision) standard, except where noted.

Rated for 300 PSIG

- Corporation stops with 360° operating head - standard
- For additional outlet connection options, see page 16.



Notes:

- + 74701B-44, 74704B-44 1" x 1 1/2", AWWA, MNPT x PVC Compression does not meet AWWA C800 envelope requirements. Will not fit in tapping machines.
- + 74701B, Size 1" x 1 1/4", AWWA x Flare ONLY does not meet AWWA C800 envelope requirements. Will not fit in tapping machines.
- + 747048, Size 1" x 1 1/4" AWWA x Flare ONLY does not meet AWWA C800 envelope requirements. Will not fit in tapping machines.

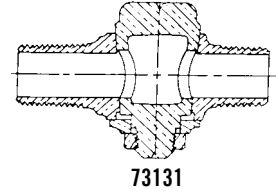
ADDITIONAL OPTIONS

- For companion couplings for flare end, refer to the Service Fitting section in catalog, starting on page 176
- Flare Thread Outlet (FT), 1 1/2" & 2" -22, G, T
- BCAP = Ball Valve Corp Stop with optional removable operating head, see page 77-78
- DB = Dielectric Bushing assembled water tight (may not fit tapping and drilling machines), see page 186
- BSP = British Standard Pipe thread outlet (contact factory)
- PITO = Corp Stop with Pito Tube inlet, see page 83

Plug Style Corporation Stops

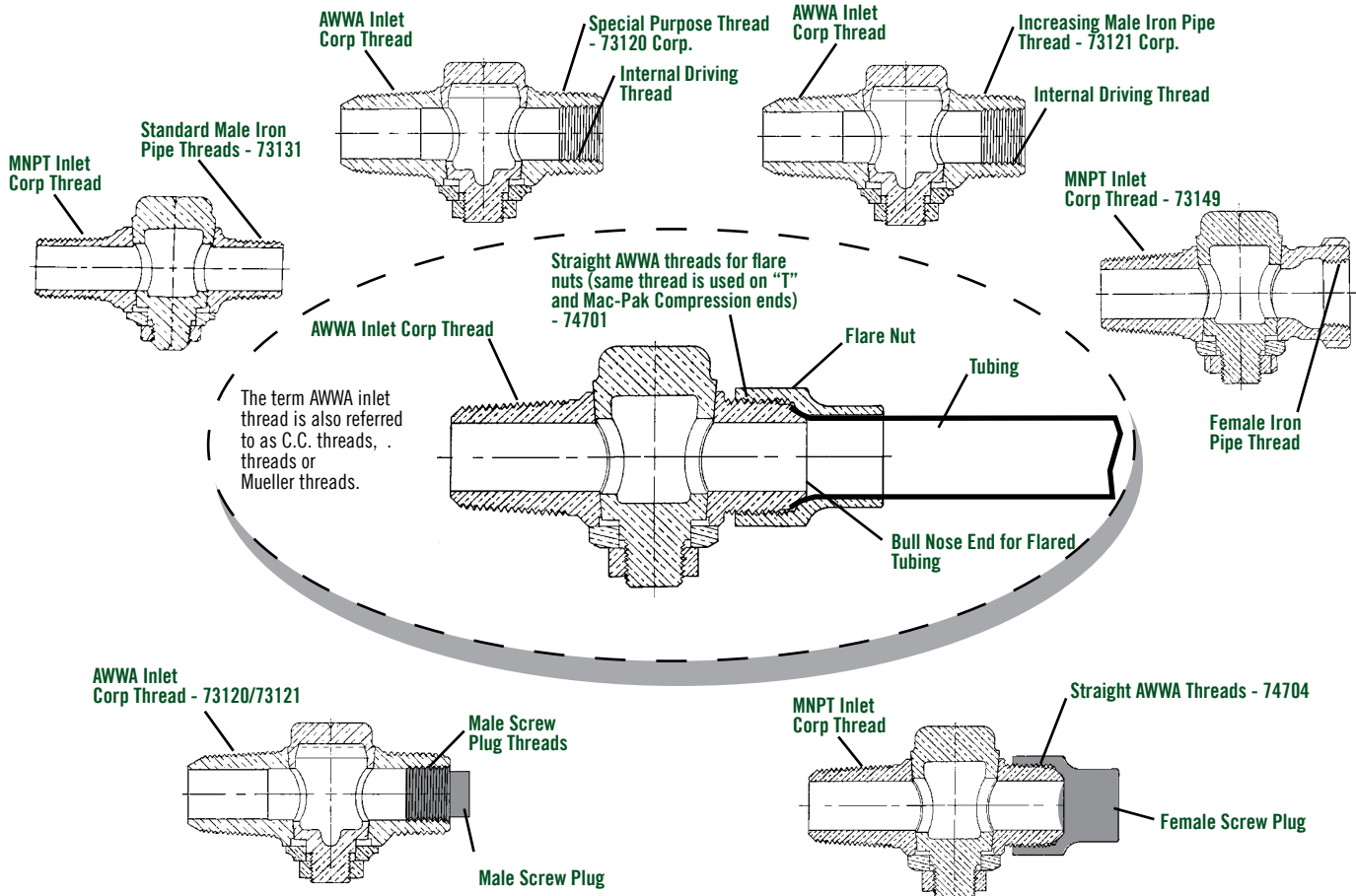
Plug Corps

A.Y. McDonald Plug Style Corporation Stops are precision machined to assure a perfect match between the plug and the body. This same machining precision carries over to the threads to assure A.Y. McDonald's high quality. Corporation stops come standard with 360° operating head. Pressure ratings are: 100 PSIG for 1/2", 3/4", 1" and 80 PSIG for 1 1/4", 1 1/2", 2".



- All A.Y. McDonald Corporation Stops are pressure tested prior to packaging.
- All A.Y. McDonald Corporation Stops are designed to be used with all known tapping and drilling machines.
- "Reclaimed Water" marking available. Contact factory.
- For drilling and tapping machine adapters, see pages 72-73.
- Assembly is shipped with a color coded inlet thread protector - Green for AWWA/CC threads, Yellow for AWWA MNPT.
- **NOTE: Materials meet or exceed A.W.W.A. standard C800.**

Corporation Stops

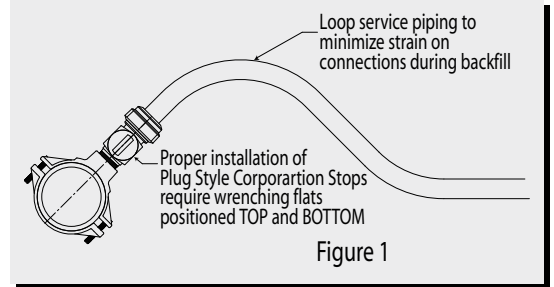


- A.Y. McDonald "Q", "T", "G", "H", C903-"K", Mac-Pak "-22" 3/4", 1" and 1 1/4" Q series Compression and flare outlets use the same female screw plug. 1 1/2" and 2" Q Series use special female screw plug.
- 3/4" and 1" "-33", "-44", "-55", and 1 1/2" "-33" are one size larger thread. Example: 3/4" "-33" is 1" AWWA flare nut thread. See charts pages 72-73.

A.Y. McDonald waterworks products are designed for reliable service. Like all brass products, however, they can be damaged by improper handling and use.

CAUTION:

1. **PROTECT THREADS** Nicks or distorted threads, especially on tapered threads, can cause leaks.
2. **USE A GOOD THREAD SEALANT** where threads are intended to provide a leak-proof connection. Do not overtighten.
3. **DO NOT** use Vaseline®, plumber's grease, or any other petroleum product on seals or o-rings.
4. **USE ONLY A SMOOTH JAWED ADJUSTABLE WRENCH** on the flats provided nearest the thread being made up. Serrated pipe wrenches apply a loose, improper fit that can distort the body and cause a leak, especially on valves.
5. Plug style corp valves should be installed so that the wrenching flats of a tightened valve are positioned top and bottom (see Figure 1).
6. **AVOID DROPPING** or the use of a hammer on any plug or key type valve. Impacts, causing dents or distortion, can cause leaks by unseating the plug portion of the valve.
7. **PRESSURE TEST** for leaks before backfilling.
8. **FIELD TESTING** Special high pressure field testing may require capping the outlet of corporation stops, curb stops and angle meter stops.
9. **HIGH PRESSURE INSTALLATION** Standard AWWA tapered plug valves are intended for not more than 100 PSIG water in sizes 1/2", 3/4" and 1" and 80 PSIG water for 1-1/4", 1-1/2" and 2" valves. If used for gas service, the maximum Pressure for all-brass plug valves is 25 PSIG.
10. **BACKFILL CAREFULLY** to avoid damage to the service line and connections. Loop service piping on corporation connections to minimize strain on the body and connections (See Figure 1).
11. Use extra care with high water pressures (over 100 PSIG) and pipe or tubing over 1". Consult factory if desired.
12. Keep valve clean and free from dirt and debris.
13. Protect valve from freezing, which may distort valve. In the event the valve does freeze, do not forcibly try to open or close the valve while the valve is frozen. This may destroy the valve.
14. If valve has compression style connection, read connection instruction sheet prior to installation.
15. All valves must be operated in the fully opened or fully closed position. Attempts to throttle flow by operating the valve in a partially open position may destroy the valve.



NOTE: For corps with C903 ends, remove C903 adaptor prior to drilling. Reassemble C903 adaptor to corp after drilling. Inspect all o-rings for damage prior to reassembly.

NOTE: For installations having pressures in excess of 100 PSIG (1/2", 3/4" and 1" corp stops) or 80 PSIG (1-1/4", 1-1/2" and 2" corp stops), the use of McDonald "ball-style" corporation stops is recommended. Ball corporations are for use with water only and are rated at 300 PSIG water pressure.

DAMAGE CAUSED BY IMPROPER USE AND HANDLING WILL VOID OUR WARRANTY.

Recommended Wrenching on Brass Valves and Fittings



Drilling Machine Adapters

Maximum Size Drills to be used with A.Y. McDonald Corporation Stops - Per AWWA C-800 Table 1

CORPORATION SIZE	1/2"	5/8"	5/8" x 3/4"	3/4"	3/4" x 1"	1"	1 1/4"	1 1/2"	2"
Corp Stop with AWWA Thread Inlet	7/16"	9/16"	9/16"	11/16"	11/16"	15/16"	1 3/16"	1 7/16"	1 7/8"
Corp Stop with I. P. Thread Inlet	7/16"	--	--	11/16"	11/16"	7/8"	1 1/8"	1 7/16"	1 3/4"

*Threads per AWWA C-800, Table 4

CORPORATION MODEL / SIZE		OUTLET THREADS*	MUELLER DRILLING MACHINES		ROMAC TAPMATE TOO	HAYS DRILLING MACHINES		FORD DRILLING MODEL 77	REED DRILLING		RIDGID			SIMTAP	
			E-4 & E-5	D-4 & D-5		5930	5935		DM1000 & 2000	DMPVC	RT 1000	RT 3422	MLT 3401		
74701-22	5/8 x 3/4	74701B-22	3/4	74704T	3/4	74701G	3/4								
74701T	5/8 x 3/4	74701BQ	3/4	74704B-22	3/4	74704G	3/4								
74701-22	3/4	74701BT	3/4	74704BQ	3/4	74701BG	3/4								
74701Q	3/4	74704-22	3/4	74704BT	3/4	74704BG	3/4								
74701T	3/4	74704Q	3/4												
74701-33	3/4	74701B-55	3/4	74704Q	1	74701-3G	3/4								
74701-3Q	3/4	74701B-22	3/4 x 1	74704T	3/4 x 1	74704-3G	3/4								
74701-44	3/4	74701B-22	1	74704T	1	74701B-3G	3/4								
74701-55	3/4	74701BQ	1	74704B-33	3/4	74704B-3G	3/4								
74701-22	3/4 x 1	74701BT	3/4 x 1	74704B-3Q	3/4	74701G	1								
74701-22	1	74701BT	1	74704B-44	3/4	74704G	1								
74701Q	1	74704-33	3/4	74704B-55	3/4	74701BG	1								
74701T	3/4 x 1	74704-3Q	3/4	74704B-22	3/4 x 1	74704BG	1								
74701T	1	74704-44	3/4	74704B-22	1										
74701B-33	3/4	74704-55	3/4	74704BQ	1										
74701B-3Q	3/4	74704-22	3/4 x 1	74704BT	3/4 x 1										
74701B-44	3/4	74704-22	1	74704BT	1										
74701-33	1	74701B-44	1	74704-22	1 1/4	74701-3G	1								
74701-3Q	1	74701B-55	1	74704Q	1 1/4	74704-3G	1								
74701-44	1	74701B-22	1 x 1 1/4	74704T	1 x 1 1/4	74701B-3G	1								
74701-55	1	74701BQ	1 x 1 1/4	74704T	1 1/4	74704B-3G	1								
74701-22	1 x 1 1/4	74701BT	1 x 1 1/4	74704B-33	1	74701BG	1 x 1 1/4								
74701-22	1 1/4	74704-33	1	74704B-3Q	1	74701G	1 1/4								
74701Q	1 1/4	74704-3Q	1	74704B-44	1	74704G	1 1/4								
74701T	1 x 1 1/4	74704-44	1	74704B-55	1										
74701T	1 1/4	74704-55	1	74704B-22	1 x 1 1/4										
74701B-33	1	74704-22	1 x 1 1/4	74704BT	1 x 1 1/4										
74701B-3Q	1														
74701Q	1 1/2	74701T	1 1/2	74704Q	1 1/2	74704G	1 1/2								
74701BQ	1 1/2	74701B-22	1 1/2	74704BQ	1 1/2	74701BG	1 1/2								
74701-22	1 1/2	74701BT	1 1/2	74701G	1 1/2	74704BG	1 1/2								
74701Q	2	74701B-22	1 1/2 x 2	74704B-22	1 1/2 x 2	74701G	2								
74701BQ	2	74701BT	1 1/2 x 2	74704BT	1 1/2 x 2	74704G	2								
74701-22	2	74704-22	2	74704Q	2	74701BG	2								
74701T	2	74704T	2	74704BQ	2	74704BG	2								
74701B-22	2	74704B-22	2												
74701BT	2	74704BT	2												
74701-22FT	1 1/2	74701B-44	1 1/2	74704B-22FT	1 1/2										
74701TFT	1 1/2	74704-22FT	1 1/2	74704BTFT	1 1/2										
74701B-22FT	1 1/2	74704TFT	1 1/2	74704B-44	1 1/2										
74701BTFT	1 1/2														
74701B-33	1 1/2	74701BTFT	2	74704-22FT	2										
74701B-22FT	1 1/2 x 2	74701B-33	2	74704TFT	2										
74701BTFT	1 1/2 x 2	74701B-44	2	74704B-22FT	2										
74701-22WFT	2	74704B-33	1 1/2	74704BTFT	2										
74701TFT	2	74704B-22FT	1 1/2 x 2	74704B-33	2										
74701B-22FT	2	74704BTFT	1 1/2 x 2	74704B-44	2										

Tapping Machine Adapters

CORPORATION MODEL / SIZE				OUTLET THREADS*	MUELLER TAPPING MACHINES			HAYS TAPPING MACH. NO. B-1	REED CDTM1000 & 2000;TM1000	RIDGID MLT3401
					NO. B-100 & B-101	NO. B	NO. A-2 & A-3			
74701-22	5/8 x 3/4			74701G	3/4					
74701T	5/8 x 3/4			74704G	3/4					
74701-22	3/4	74704-22	3/4	74701BG	3/4					
74701Q	3/4	74704Q	3/4	74704BG	3/4	680600	680600	680600	353-06-106	98423
74701T	3/4	74704T	3/4							92182
74701B-22	3/4	74704B-22	3/4							
74701BQ	3/4	74704BQ	3/4							
74701BT	3/4	74704BT	3/4	74701-3G	3/4					
74701-33	3/4	74704-33	3/4	74704-3G	3/4					
74701-3Q	3/4	74704-3Q	3/4	74701B-3G	3/4					
74701-44	3/4	74704-44	3/4	74704B-3G	3/4					
74701-55	3/4	74704-55	3/4	74701G	1					
74701-22	3/4 x 1	74704-22	3/4 x 1	74704G	1					
74701-22	1	74704-22	1	74701BG	1					
74701Q	1	74704Q	1	74704BG	1					
74701T	3/4 x 1	74704T	3/4 x 1							
74701T	1	74704T	1			680601	680601	680601	353-06-108	98424
74701B-33	3/4	74704B-33	3/4							92187
74701B-3Q	3/4	74704B-3Q	3/4							
74701B-44	3/4	74704B-44	3/4							
74701B-55	3/4	74704B-55	3/4							
74701B-22	3/4 x 1	74704B-22	3/4 x 1							
74701B-22	1	74704B-22	1							
74701BQ	1	74704BQ	1							
74701BT	3/4 x 1	74704BT	3/4 x 1	74701-3G	1					
74701BT	1	74704BT	1	74704-3G	1					
74701-33	1	74704-33	1	74701B-3G	1					
74701-3Q	1	74704-3Q	1	74704B-3G	1					
74701-44	1	74704-44	1	74701BG	1 x 1 1/4					
74701-55	1	74704-55	1	74701G	1 1/4					
74701-22	1 x 1 1/4	74704-22	1 x 1 1/4	74704G	1 1/4					
74701-22	1 1/4	74704-22	1 1/4							
74701Q	1 1/4	74704Q	1 1/4							
74701T	1 x 1 1/4	74704T	1 x 1 1/4			680602	--	680602	353-06-110	--
74701T	1 1/4	74704T	1 1/4							
74701B-33	1	74704B-33	1							
74701B-3Q	1	74704B-3Q	1							
74701B-44	1	74704B-44	1							
74701B-55	1	74704B-55	1							
74701B-22	1 x 1 1/4	74704B-22	1 x 1 1/4							
74701BQ	1 x 1 1/4	74704BT	1 x 1 1/4							
74701BT	1 x 1 1/4			74701G	1 1/2					
74701Q	1 1/2	74704Q	1 1/2	74704G	1 1/2					
74701BQ	1 1/2	74704BQ	1 1/2	74701BG	1 1/2					
74701-22	1 1/2	74704-22	1 1/2	74704BG	1 1/2	--	--	680421	--	--
74701T	1 1/2	74704T	1 1/2							
74701B-22	1 1/2	74704B-22	1 1/2	74701G	2					
74701BT	1 1/2	74704BT	1 1/2	74704G	2					
74701Q	2	74704Q	2	74701BG	2					
74701BQ	2	74704BQ	2	74704BG	2					
74701-22	2	74704-22	2							
74701T	2	74704T	2							
74701B-22	2	74704B-22	2			--	--	680422	--	--
74701BT	2	74704BT	2							
74701B-22	1 1/2 x 2	74704B-22	1 1/2 x 2							
74701BT	1 1/2 x 2	74704BT	1 1/2 x 2							
74701-22FT	1 1/2	74704-22FT	1 1/2							
74701TFT	1 1/2	74704TFT	1 1/2							
74701B-22FT	1 1/2	74704B-22FT	1 1/2			--	--	88640	--	--
74701BTFT	1 1/2	74704BTFT	1 1/2							
74701B-44	1 1/2	74704B-44	1 1/2							
74701B-33	1 1/2	74704B-33	1 1/2							
74701B-22FT	1 1/2 x 2	74704B-22FT	1 1/2 x 2							
74701BTFT	1 1/2 x 2	74704BTFT	1 1/2 x 2							
74701-22FT	2	74704-22FT	2							
74701TFT	2	74704TFT	2			--	--	88641	--	--
74701B-22FT	2	74704B-22FT	2							
74701BTFT	2	74704BTFT	2							
74701B-33	2	74704B-33	2							
74701B-44	2	74704B-44	2							

Corporation Stops

Ball Style - AWWA Inlets

A.Y. McDonald Ball Style Corporation Stops come standard with 360° operating head and are designed for low turning torques and high pressures (300 PSIG). The PTFE coated brass ball is supported by two blow-out proof EPDM seals. The endpiece joint is sealed with an EPDM o-ring and thread locker. There is no metal-to-metal contact between the ball and the body which can cause higher torque and increased wear. The bubble-tight feature at 300 PSIG makes these valves a better choice than a plug valve when test or operating pressures over 100 PSIG are expected. All A.Y. McDonald Ball Style Corporation Stops are available with a wide variety of outlet connections. They are manufactured to meet or exceed the AWWA C800 (latest revision) standard, except where noted.

Rated for 300 PSIG

- Corporation stops with 360° operating head - standard

74701B

AWWA x Flare



Size	Carton PCS/WT	Price
3/4"	15/25	\$ 76.69
3/4" x 1"	15/31	\$ 94.69
1"	15/38	\$ 98.42
1" x 1 1/4" +	15/32	\$ 145.43
1 1/4"	8/39	\$ 222.60
1 1/2"	4/25	\$ 233.01
1 1/2" x 2"	4/32	\$ 323.05
2"	2/21	\$ 407.03

74701BGFT

AWWA x G CTS



with Flared Thread

Size	Carton PCS/WT	Price
1 1/2"	4/24	\$ 233.01
1 1/2" x 2"	4/29	\$ 283.49
2"	2/18	\$ 385.40

74701B-33

AWWA x -33 PEP-7



Size	Carton PCS/WT	Price
3/4"	15/26	\$ 97.10
3/4" x 1"	15/33	\$ 111.40
1"	10/29	\$ 118.88
1 1/4"	8/39	\$ 262.25
1 1/2"	4/29	\$ 283.49
2"	2/18	\$ 407.03

74701B-22

AWWA x -22 CTS



Size	Carton PCS/WT	Price
3/4"	15/23	\$ 79.04
3/4" x 1"	15/27	\$ 97.10
1"	15/36	\$ 103.95
1" x 1 1/4"	10/29	\$ 150.45
1 1/4"	8/34	\$ 222.60
1 1/2"	4/22	\$ 233.01
1 1/2" x 2"	4/30	\$ 283.49
2"	2/16	\$ 385.40

74701BQ

AWWA x Q CTS



Size	Carton PCS/WT	Price
3/4"	15/23	\$ 79.04
3/4" x 1"	15/28	\$ 97.10
1"	15/37	\$ 103.95
1" x 1 1/4"	10/29	\$ 150.45
1 1/4"	8/34	\$ 222.60
1 1/2"	4/21	\$ 233.01
1 1/2" x 2"	4/24	\$ 283.49
2"	2/15	\$ 385.40

74701B-3G

AWWA x -3G PEP



Size	Carton PCS/WT	Price
3/4"	15/28	\$ 97.10
1"	10/31	\$ 118.88

74701B-22FT

AWWA x -22 CTS

with Flared Thread



Size	Carton PCS/WT	Price
1 1/2"	4/23	\$ 233.01
1 1/2" x 2"	4/30	\$ 283.49
2"	2/18	\$ 385.40

74701BT

AWWA x T CTS



Size	Carton PCS/WT	Price
3/4"	15/23	\$ 79.04
3/4" x 1"	15/27	\$ 97.10
1"	15/35	\$ 103.95
1" x 1 1/4"	10/31	\$ 150.45
1 1/4"	8/32	\$ 222.60
1 1/2"	4/20	\$ 233.01
1 1/2" x 2"	4/28	\$ 283.49
2"	2/15	\$ 385.40

74701B-3Q

AWWA x -3Q PEP



Size	Carton PCS/WT	Price
3/4"	15/28	\$ 97.10
1"	10/29	\$ 118.88

74701BG

AWWA x G CTS



Size	Carton PCS/WT	Price
3/4"	15/25	\$ 79.04
3/4" x 1"	15/29	\$ 97.10
1"	15/38	\$ 103.95
1" x 1 1/4"	10/29	\$ 150.45
1 1/4"	8/35	\$ 222.60
1 1/2"	4/23	\$ 233.01
2"	2/15	\$ 385.40

74701BTFT

AWWA x T CTS

with Flared Thread



Size	Carton PCS/WT	Price
1 1/2"	4/22	\$ 233.01
1 1/2" x 2"	4/28	\$ 283.49
2"	2/18	\$ 385.40

74701B-44

AWWA x -44 PVC



Size	Carton PCS/WT	Price
3/4"	15/26	\$ 97.10
3/4" x 1"	15/33	\$ 111.40
1"	10/29	\$ 118.88
1 1/4"	8/40	\$ 262.25
1" x 1 1/2" +	10/42	\$ 199.44
1 1/2"	4/29	\$ 283.49
2"	2/18	\$ 407.03

OPTIONS

+74701B-44, 1" x 1 1/2", AWWA, MNPT x PVC Compression does not meet AWWA C800 envelope requirements.

Will not fit in tapping machines.

+74701B, Size 1" x 1 1/4", AWWA x Flare ONLY does not meet AWWA C800 envelope requirements.

Will not fit in tapping machines.

For additional outlet connection options, see page 16.

Ball Style - MNPT Inlets

A.Y. McDonald Ball Style Corporation Stops come standard with 360° operating head and are designed for low turning torques and high pressures (300 PSIG). The PTFE coated brass ball is supported by two blow-out proof EPDM seals. The endpiece joint is sealed with an EPDM o-ring and thread locker. There is no metal-to-metal contact between the ball and the body which can cause higher torque and increased wear. The bubble-tight feature at 300 PSIG makes these valves a better choice than a plug valve when test or operating pressures over 100 PSIG are expected. All A.Y. McDonald Ball Style Corporation Stops are available with a wide variety of outlet connections. They are manufactured to meet or exceed the AWWA C800 (latest revision) standard, except where noted.

Rated for 300 PSIG

- Corporation stops with 360° operating head - standard

74704B

MNPT x Flare



Size	Carton PCS/WT	Price
3/4"	15/24	\$ 76.69
3/4" x 1"	15/35	\$ 94.69
1"	15/36	\$ 98.42
1" x 1 1/4" +	10/32	\$ 145.43
1 1/4"	8/37	\$ 222.60
1 1/2"	4/24	\$ 233.01
1 1/2" x 2"	4/32	\$ 323.05
2"	2/19	\$ 407.03

74704B-22

MNPT x -22 CTS



Size	Carton PCS/WT	Price
3/4"	15/21	\$ 79.04
3/4" x 1"	15/35	\$ 97.10
1"	15/35	\$ 103.95
1" x 1 1/4"	15/51	\$ 150.45
1 1/4"	8/32	\$ 222.60
1 1/2"	4/20	\$ 233.01
1 1/2" x 2"	4/34	\$ 283.49
2"	2/15	\$ 385.40

74704B-22FT

MNPT x -22 CTS with Flared Thread



Size	Carton PCS/WT	Price
1 1/2"	4/23	\$ 233.01
1 1/2" x 2"	4/27	\$ 283.49
2"	2/18	\$ 385.40

74704BG

MNPT x G CTS



Size	Carton PCS/WT	Price
3/4"	15/23	\$ 79.04
3/4" x 1"	15/35	\$ 97.10
1"	15/37	\$ 103.95
1" x 1 1/4"	15/51	\$ 150.45
1 1/4"	8/33	\$ 222.60
1 1/2"	4/21	\$ 233.01
2"	2/16	\$ 385.40

74704BGFT

MNPT x G CTS with Flared Thread



Size	Carton PCS/WT	Price
1 1/2"	4/21	\$ 233.01
1 1/2" x 2"	4/34	\$ 283.49
2"	2/17	\$ 385.40

74704BQ

MNPT x Q CTS



Size	Carton PCS/WT	Price
3/4"	15/23	\$ 79.04
3/4" x 1"	15/35	\$ 97.10
1"	15/37	\$ 103.95
1" x 1 1/4"	15/44	\$ 150.45
1 1/4"	8/33	\$ 222.60
1 1/2"	4/23	\$ 233.01
1 1/2" x 2"	4/24	\$ 283.49
2"	2/15	\$ 385.40

74704BT

MNPT x T CTS



Size	Carton PCS/WT	Price
3/4"	15/22	\$ 79.04
3/4" x 1"	15/31	\$ 97.10
1"	15/36	\$ 103.95
1" x 1 1/4"	15/44	\$ 150.45
1 1/4"	8/33	\$ 222.60
1 1/2"	4/21	\$ 233.01
1 1/2" x 2"	4/35	\$ 283.49
2"	2/14	\$ 385.40

74704BTFT

MNPT x T CTS with Flared Thread



Size	Carton PCS/WT	Price
1 1/2"	4/21	\$ 233.01
1 1/2" x 2"	4/31	\$ 283.49
2"	2/17	\$ 385.40

OPTIONS

±74704B-44, 1" x 1 1/2", AWWA, MNPT x PVC Compression does not meet AWWA C800 envelope requirements.

Will not fit in tapping machines.

±74704B, Size 1" x 1 1/4", AWWA x Flare ONLY does not meet AWWA C800 envelope requirements.

Will not fit in tapping machines.

For additional outlet connection options, see page 16.

74704B-33

MNPT x -33 PEP-7



Size	Carton PCS/WT	Price
3/4"	15/25	\$ 97.10
3/4" x 1"	15/31	\$ 111.40
1"	10/29	\$ 118.88
1 1/4"	8/38	\$ 262.25
1 1/2"	4/29	\$ 283.49
2"	2/18	\$ 407.03

74704B-3G

MNPT x -3G PEP



Size	Carton PCS/WT	Price
3/4"	15/28	\$ 97.10
1"	10/30	\$ 118.88

74704B-3Q

MNPT x -3Q PEP



Size	Carton PCS/WT	Price
3/4"	15/27	\$ 97.10
1"	10/29	\$ 118.88

74704B-44

MNPT x -44 PVC



Size	Carton PCS/WT	Price
3/4"	15/26	\$ 97.10
3/4" x 1"	15/32	\$ 111.40
1"	10/29	\$ 118.88
1 1/4"	8/40	\$ 262.25
1" x 1 1/2" +	10/39	\$ 199.44
1 1/2"	4/20	\$ 283.49
2"	2/17	\$ 407.03

Ball Style - Threaded Inlets / Outlets

A.Y. McDonald Ball Style Corporation Stops come standard with 360° operating head and are designed for low turning torques and high pressures (300 PSIG). The PTFE coated brass ball is supported by two blow-out proof EPDM seals. The endpiece joint is sealed with an EPDM o-ring and thread locker. There is no metal-to-metal contact between the ball and the body which can cause higher torque and increased wear. The bubble-tight feature at 300 PSIG makes these valves a better choice than a plug valve when test or operating pressures over 100 PSIG are expected. All A.Y. McDonald Ball Style Corporation Stops are available with a wide variety of outlet connections. They are manufactured to meet or exceed the AWWA C800 (latest revision) standard, except where noted.

Rated for 300 PSIG

AWWA INLETS

73120B

AWWA x Special Purpose Thread



Size	Carton PCS/WT	Price
3/4"	25/32	\$ 64.09
1"	15/31	\$ 95.08

NOTE: 73120B outlet has internal drive thread
End connections are found on pages 86-87

73128B

AWWA x MNPT



Size	Carton PCS/WT	Price
3/4"	15/18	\$ 68.13
1"	15/29	\$ 90.39
1 1/4"	8/29	\$ 203.60
1 1/2"	4/19	\$ 213.84
2"	2/13	\$ 364.65

73148B

AWWA x FNPT



Size	Carton PCS/WT	Price
3/4"	15/17	\$ 64.92
1"	15/27	\$ 87.58
1 1/4"	8/27	\$ 212.31
1 1/2"	4/17	\$ 225.46
1 1/2" x 2"	4/26	\$ 260.07
2"	2/14	\$ 364.65

73121B

AWWA x Increase MNPT Thread



Inlet	Outlet	Carton PCS/WT	Price
3/4"	1"	25/33	\$ 76.53
1"	1 1/4"	15/30	\$ 96.82
1 1/4"	1 1/2"	8/31	\$ 210.17
1 1/2"	2"	4/19	\$ 213.84
2"	2 1/2"	2/15	\$ 364.65

NOTE: 73121B outlet has internal drive thread

MNPT INLETS

73122B

MNPT x Increase MNPT Thread



Inlet	Outlet	Carton PCS/WT	Price
3/4"	1"	25/32	\$ 76.53
1"	1 1/4"	15/31	\$ 96.82
1 1/4"	1 1/2"	4/20	\$ 210.17
1 1/2"	2"	8/30	\$ 213.84
2"	2 1/2"	2/14	\$ 364.65

NOTE: 73122B outlet has internal drive thread

73131B

MNPT x MNPT



Size	Carton PCS/WT	Price
3/4"	15/18	\$ 68.13
1"	15/28	\$ 90.39
1 1/4"	8/27	\$ 203.60
1 1/2"	4/18	\$ 213.84
2"	2/13	\$ 364.65

73149B

MNPT x FNPT



Size	Carton PCS/WT	Price
3/4"	15/16	\$ 64.92
1"	15/27	\$ 87.58
1 1/4"	8/26	\$ 212.31
1 1/2"	4/17	\$ 225.46
1 1/2" x 2"	4/25	\$ 260.07
2"	2/12	\$ 364.65

OPTIONS

For additional outlet connection options, see page 16.

Ball Style Curb / Corps with Removable Tee Heads

AWWA INLETS

A.Y. McDonald Ball Style Corporation Stops come standard with 360° operating head and are designed for low turning torques and high pressures (300 PSIG). The PTFE coated brass ball is supported by two blow-out proof EPDM seals. The endpiece joint is sealed with an EPDM o-ring and thread locker. There is no metal-to-metal contact between the ball and the body which can cause higher torque and increased wear. The bubble-tight feature at 300 PSIG makes these valves a better choice than a plug valve when test or operating pressures over 100 PSIG are expected. All A.Y. McDonald Ball Style Corporation Stops are available with a wide variety of outlet connections. They are manufactured to meet or exceed the AWWA C800 (latest revision) standard, except where noted.

For use in applications requiring a corp stop, but with a tee head for use with a shut off rod. Meets AWWA C-800 envelope requirements by removing operating head via 9/64 hex head stainless steel set screw.



74101BCAPF

AWWA x FNPT



Size	Carton PCS/WT	Price
3/4"	15/22	\$ 82.25
1"	15/33	\$ 104.91
1 1/4"	8/31	\$ 229.64
1 1/2"	4/18	\$ 242.79
2"	8/29	\$ 381.98

74101BCAP-22FT

AWWA x -22 CTS with Flared Thread



Size	Carton PCS/WT	Price
1 1/2"	4/24	\$ 250.34
1 1/2" x 2"	4/31	\$ 300.82
2"	2/19	\$ 402.73

74101BCAPTFT

AWWA x T CTS with Flared Thread



Size	Carton PCS/WT	Price
1 1/2"	4/23	\$ 250.34
1 1/2" x 2"	4/31	\$ 300.82
2"	2/17	\$ 402.73

74101BCAPP

AWWA x MNPT



Size	Carton PCS/WT	Price
3/4"	15/22	\$ 85.46
1"	15/34	\$ 107.72
1 1/4"	8/33	\$ 220.93
1 1/2"	4/17	\$ 231.17
2"	2/13	\$ 381.98

74101BCAPG

AWWA x G CTS



Size	Carton PCS/WT	Price
3/4"	15/27	\$ 96.37
1"	15/42	\$ 121.28
1 1/4"	8/38	\$ 239.93
1 1/2"	4/26	\$ 250.34
1 1/2" x 2"	4/31	\$ 300.82
2"	2/16	\$ 402.73

74101BCAP-33

AWWA x -33 PEP-7



Size	Carton PCS/WT	Price
3/4"	15/31	\$ 114.43
1"	10/32	\$ 136.21
1 1/4"	8/43	\$ 279.58
1 1/2"	4/24	\$ 300.82
2"	2/19	\$ 424.36

74101BCAP

AWWA x Flare



Size	Carton PCS/WT	Price
3/4"	15/34	\$ 94.02
1"	15/42	\$ 115.76
1 1/4"	8/43	\$ 239.93
1 1/2"	4/35	\$ 250.33
2"	2/30	\$ 424.35

74101BCAPQ

AWWA x Q CTS



Size	Carton PCS/WT	Price
3/4"	15/28	\$ 96.37
1"	15/42	\$ 121.28
1 1/4"	8/38	\$ 239.93
1 1/2"	4/21	\$ 250.34
1 1/2" x 2"	4/25	\$ 300.82
2"	2/15	\$ 402.73

74101BCAP-3G

AWWA x -3G PEP



Size	Carton PCS/WT	Price
3/4"	15/31	\$ 114.43
1"	10/32	\$ 136.21

74101BCAP-22

AWWA x -22 CTS



Size	Carton PCS/WT	Price
3/4"	15/27	\$ 96.37
1"	15/42	\$ 121.28
1 1/4"	8/38	\$ 239.93
1 1/2"	4/26	\$ 250.34
1 1/2" x 2"	4/31	\$ 300.82
2"	2/16	\$ 402.73

74101BCAPT

AWWA x T CTS



Size	Carton PCS/WT	Price
3/4"	15/23	\$ 96.37
1"	15/40	\$ 121.28
1 1/4"	8/36	\$ 239.93
1 1/2"	4/23	\$ 250.34
1 1/2" x 2"	4/31	\$ 300.82
2"	2/19	\$ 402.73

74101BCAP-3Q

AWWA x -3Q PEP



Size	Carton PCS/WT	Price
3/4"	15/31	\$ 114.43
1"	10/32	\$ 136.21

74101BCAP-44

AWWA x -44 PVC



Size	Carton PCS/WT	Price
3/4"	15/31	\$ 114.43
1"	10/32	\$ 136.21
1 1/4"	8/43	\$ 279.58
1 1/2"	4/24	\$ 300.82
2"	2/19	\$ 424.36

OPTIONS

For 74101BCAPP, 74104BCAPP use 74754 and 74779 adapters. For more information, please see our Service Fittings section.

For 74101BCAPF, 74104BCAPF, use 74753 and 74779M adapters. For more information, please see our Service Fittings section. For additional outlet connection options, see page 16.

Ball Style Curb / Corps with Removable Tee Heads

MNPT INLETS

A.Y. McDonald Ball Style Curb Corps come standard with 90° on/off and 360° operating head and are designed for low turning torques and higher pressures (300 PSIG). The PTFE coated brass ball is supported by two blow-out proof EPDM seals. The endpiece joint is sealed with an EPDM o-ring and thread locker. There is no metal-to-metal contact which causes high torques. The bubble-tight feature at 300 PSIG makes these valves a better choice than a plug valve when test or operating pressures over 100 PSIG are expected. All A.Y. McDonald Ball Style Curb Corps are available with a wide variety of end connections. They are manufactured to meet or exceed the AWWA C800 (latest revision) standard, except where noted.

For use in applications requiring a corp stop inlet thread, but with a tee head for use with a shut off rod. Meets AWWA C-800 envelope requirements by removing operating head via 9/64 hex head set stainless steel screw.

74104BCAPF

MNPT x FNPT



Size	Carton PCS/WT	Price
3/4"	15/20	\$ 82.25
1"	15/31	\$ 104.91
1 1/4"	8/29	\$ 229.64
1 1/2"	4/18	\$ 242.79
2"	2/12	\$ 381.98

74104BCAPP

MNPT x MNPT



Size	Carton PCS/WT	Price
3/4"	15/22	\$ 85.46
1"	15/32	\$ 107.72
1 1/4"	8/33	\$ 220.93
1 1/2"	4/17	\$ 231.17
2"	2/13	\$ 381.98

74104BCAP

MNPT x Flare



Size	Carton PCS/WT	Price
3/4"	15/30	\$ 94.02
1"	15/42	\$ 115.76
1 1/4"	8/43	\$ 239.93
1 1/2"	4/35	\$ 250.33
2"	2/30	\$ 424.35

74104BCAP-22

MNPT x -22 CTS



Size	Carton PCS/WT	Price
3/4"	15/26	\$ 96.37
1"	15/40	\$ 121.28
1 1/4"	8/38	\$ 239.93
1 1/2"	4/22	\$ 250.34
1 1/2" x 2"	4/31	\$ 300.82
2"	2/17	\$ 402.73

74104BCAP-22FT

MNPT x -22 CTS with Flared Thread



Size	Carton PCS/WT	Price
1 1/2"	4/24	\$ 250.34
1 1/2" x 2"	4/31	\$ 300.82
2"	2/18	\$ 402.73

74104BCAPG

MNPT x G CTS



Size	Carton PCS/WT	Price
3/4"	15/27	\$ 96.37
1"	15/39	\$ 121.28
1 1/4"	8/39	\$ 239.93
1 1/2"	4/26	\$ 250.34
1 1/2" x 2"	4/31	\$ 300.82
2"	2/15	\$ 402.73

74104BCAPQ

MNPT x Q CTS



Size	Carton PCS/WT	Price
3/4"	15/28	\$ 96.37
1"	15/42	\$ 121.28
1 1/4"	8/39	\$ 239.93
1 1/2"	4/21	\$ 250.34
1 1/2" x 2"	4/25	\$ 300.82
2"	2/15	\$ 402.73

74104BCAPT

MNPT x T CTS



Size	Carton PCS/WT	Price
3/4"	15/23	\$ 96.37
1"	15/40	\$ 121.28
1 1/4"	8/39	\$ 239.93
1 1/2"	4/23	\$ 250.34
1 1/2" x 2"	4/31	\$ 300.82
2"	2/19	\$ 402.73

74104BCAPTFT

MNPT x T CTS with Flared Thread



Size	Carton PCS/WT	Price
1 1/4"	8/39	\$ 239.93
1 1/2"	4/23	\$ 250.34
1 1/2" x 2"	4/31	\$ 300.82
2"	2/17	\$ 402.73

74104BCAP-3G

MNPT x -3G PEP



Size	Carton PCS/WT	Price
3/4"	15/31	\$ 114.43
1"	10/32	\$ 136.21

74104BCAP-3Q

MNPT x -3Q PEP



Size	Carton PCS/WT	Price
3/4"	15/31	\$ 114.43
1"	10/32	\$ 136.21

74104BCAP-33

MNPT x -33 PEP-7



Size	Carton PCS/WT	Price
3/4"	15/28	\$ 114.43
1"	10/32	\$ 136.21
1 1/4"	8/43	\$ 279.58
1 1/2"	4/24	\$ 300.82
2"	2/19	\$ 424.36

74104BCAP-44

MNPT x -44 PVC



Size	Carton PCS/WT	Price
3/4"	15/28	\$ 114.43
1"	10/32	\$ 136.21
1 1/4"	8/43	\$ 279.58
1 1/2"	4/24	\$ 300.82
2"	2/19	\$ 424.36

4100CAP

Cap & Screw



Size	Carton PCS/WT	Price
3/4"	25/8	\$ 17.33
1"	25/9	\$ 17.33
1 1/4"		\$ 17.33

OPTIONS

For additional outlet connection options, see page 16.

Ball Style Curb / Corps with Non-Removable Tee Heads

AWWA INLETS

A.Y. McDonald Ball Style Curb Corps come standard with a 90° on/off operating head and are designed for low turning torques and higher pressures (300 PSIG). The PTFE coated brass ball is supported by two blow-out proof EPDM seals. The endpiece joint is sealed with an EPDM o-ring and thread locker. There is no metal-to-metal contact which causes high torques. The bubble-tight feature at 300 PSIG makes these valves a better choice than a plug valve when test or operating pressures over 100 PSIG are expected. All A.Y. McDonald Ball Style Curb Corps are available with a wide variety of end connections. They are manufactured to meet or exceed the AWWA C800 (latest revision) standard, except where noted.



74101BF
AWWA x FNPT

Size	Carton PCS/WT	Price
3/4"	15/23	\$ 82.25



74101BG
AWWA x G CTS

Size	Carton PCS/WT	Price
3/4"	15/29	\$ 96.37
1"	10/31	\$ 121.28
1 1/2"	3/17	\$ 250.34
2"	3/32	\$ 402.73



74101BTFT
AWWA x T CTS

Size	Carton PCS/WT	Price
1 1/2"	3/20	\$ 250.34
2"	3/31	\$ 402.73



74101B
AWWA x Flare

Size	Carton PCS/WT	Price
3/4"	15/30	\$ 94.02



74101BQ
AWWA x Q CTS

Size	Carton PCS/WT	Price
3/4"	15/29	\$ 96.37
1"	10/31	\$ 121.28
1 1/2"	3/17	\$ 250.34
2"	3/32	\$ 402.73



74101B-33
AWWA x -33 PEP-7

Size	Carton PCS/WT	Price
2"	2/20	\$ 424.36



74101B-22
AWWA x -22 CTS

Size	Carton PCS/WT	Price
3/4"	15/28	\$ 96.37
1"	10/30	\$ 121.28
1 1/2"	3/21	\$ 250.34
2"	3/33	\$ 402.73



74101BT
AWWA x T CTS

Size	Carton PCS/WT	Price
3/4"	15/29	\$ 96.37
1"	10/29	\$ 121.28
1 1/2"	3/21	\$ 250.34
2"	3/32	\$ 402.73



74101B-3Q
AWWA x -3Q PEP

Size	Carton PCS/WT	Price
1"	10/35	\$ 136.21



74101B-22FT
AWWA x -22 CTS

Size	Carton PCS/WT	Price
1 1/2"	3/20	\$ 250.34
2"	3/32	\$ 402.73



74104B-44
AWWA x -44 PVC

Size	Carton PCS/WT	Price
2"	3/32	\$ 424.36

OPTIONS

For additional outlet connection options, see page 16.

Ball Style Curb / Corps with Non-Removable Tee Heads

MNPT INLETS

A.Y. McDonald Ball Style Curb Corps come standard with a 90° on/off operating head and are designed for low turning torques and higher pressures (300 PSIG). The PTFE coated brass ball is supported by two blow-out proof EPDM seals. The endpiece joint is sealed with an EPDM o-ring and thread locker. There is no metal-to-metal contact which causes high torques. The bubble-tight feature at 300 PSIG makes these valves a better choice than a plug valve when test or operating pressures over 100 PSIG are expected. All A.Y. McDonald Ball Style Curb Corps are available with a wide variety of end connections. They are manufactured to meet or exceed the AWWA C800 (latest revision) standard, except where noted.

Corporation Stops

74104BF

MNPT x FNPT



Size	Carton PCS/WT	Price
3/4"	15/21	\$ 82.25
1"	10/23	\$ 104.91
1 1/2"	3/15	\$ 242.79
2"	3/21	\$ 381.98

74104BQ

MNPT x Q CTS



Size	Carton PCS/WT	Price
3/4"	15/29	\$ 96.37
1"	10/29	\$ 121.28
1 1/2"	3/18	\$ 250.34
2"	3/24	\$ 402.73

74104B-33

MNPT x -33 PEP-7



Size	Carton PCS/WT	Price
3/4"	15/32	\$ 114.43
1"	10/35	\$ 136.21

74104BP

MNPT x MNPT



Size	Carton PCS/WT	Price
3/4"	15/24	\$ 85.46
1"	10/24	\$ 107.72
1 1/2"	3/15	\$ 231.17
2"	3/23	\$ 381.98

74104BT

MNPT x T CTS



Size	Carton PCS/WT	Price
3/4"	15/27	\$ 96.37
1"	10/29	\$ 121.28
1 1/2"	3/19	\$ 250.34
2"	3/31	\$ 402.73

74104B-3Q

MNPT x -3Q PEP



Size	Carton PCS/WT	Price
1"	10/35	\$ 136.21

74104B-22

MNPT x -22 CTS



Size	Carton PCS/WT	Price
3/4"	15/27	\$ 96.37
1"	10/28	\$ 121.28
1 1/2"	3/18	\$ 250.34
2"	3/25	\$ 402.73

74104BTFT

MNPT x T CTS with Flared Thread



Size	Carton PCS/WT	Price
1 1/2"	3/18	\$ 250.34
2"	3/26	\$ 402.73

74104B-44

MNPT x -44 PVC



Size	Carton PCS/WT	Price
3/4"	10/32	\$ 114.43
1 1/2"	3/18	\$ 300.82
2"	3/29	\$ 424.36

74104B-22FT

MNPT x -22 CTS with Flared Thread



Size	Carton PCS/WT	Price
1 1/2"	3/19	\$ 250.34
2"	3/30	\$ 402.73

OPTIONS

For additional outlet connection options, see page 16.

Ball Style with Dielectric Bushings

A.Y. McDonald Ball Style Corporation Stops come standard with 360° operating head and are designed for low turning torques and higher pressures (300 PSIG). The PTFE coated brass ball is supported by two blow-out proof EPDM seals. The end piecejoint is sealed with an EPDM o-ring and thread locker. There is no metal-to-metal contact which causes high torques. The bubble-tight feature at 300 PSIG makes these valves a better choice than a plug valve when test or operating pressures over 100 PSIG are expected. All McDonald Ball Style Corporation Stops are available with a wide variety of end connections. They are manufactured to meet or exceed the AWWA C800 (latest revision) standard, except where noted.

Rated for 300 PSIG

- Valves with Dielectric bushings will not fit in tapping machines.
- Corp and Dielectric coupling may be ordered separately. Contact factory.
- These products are manufactured from components assembled watertight.

AWWA INLETS

74701BDB

AWWA x Flare



Size	Carton PCS/WT	Price
3/4"	15/30	\$ 117.31
1"	10/32	\$ 176.24
1 1/2"	4/30	\$ 396.60
2"	2/19	\$ 656.73

74701BDBG

AWWA x G CTS



Size	Carton PCS/WT	Price
3/4"	15/30	\$ 119.29
1"	10/28	\$ 168.38
1 1/2"	4/27	\$ 396.60
2"	2/15	\$ 656.73

74701BDBT

AWWA x T CTS



Size	Carton PCS/WT	Price
3/4"	15/30	\$ 119.29
1"	10/28	\$ 168.38
1 1/2"	4/27	\$ 396.60
2"	2/15	\$ 656.73

74701BDB-22

AWWA x -22 CTS



Size	Carton PCS/WT	Price
3/4"	15/30	\$ 119.29
1"	10/28	\$ 168.38
1 1/2"	4/27	\$ 396.60
2"	2/15	\$ 656.73

74701BDBQ

AWWA x Q CTS



Size	Carton PCS/WT	Price
3/4"	15/30	\$ 119.29
1"	10/28	\$ 168.38
1 1/2"	4/27	\$ 396.60
2"	2/19	\$ 656.73

MNPT INLETS

74704BDB

MNPT x Flare



Size	Carton PCS/WT	Price
3/4"	15/30	\$ 117.31
1"	10/27	\$ 176.24
1 1/2"	4/30	\$ 396.60
2"	2/19	\$ 656.73

74704BDBG

MNPT x G CTS



Size	Carton PCS/WT	Price
3/4"	15/30	\$ 119.29
1"	10/28	\$ 168.38
1 1/2"	4/27	\$ 396.60
2"	2/18	\$ 656.73

74704BDBT

MNPT x T CTS



Size	Carton PCS/WT	Price
3/4"	15/30	\$ 119.29
1"	10/28	\$ 168.38
1 1/2"	4/27	\$ 396.60
2"	2/11	\$ 656.73

74704BDB-22

MNPT x -22 CTS



Size	Carton PCS/WT	Price
3/4"	15/30	\$ 119.29
1"	10/27	\$ 168.38
1 1/2"	4/30	\$ 396.60
2"	2/19	\$ 656.73

74704BDBQ

MNPT x Q CTS



Size	Carton PCS/WT	Price
3/4"	15/30	\$ 119.29
1"	10/28	\$ 168.38
1 1/2"	4/24	\$ 396.60
2"	2/18	\$ 656.73

OPTIONS

For additional outlet connection options, see page 16.

Plug Style - AWWA Inlets

A.Y. McDonald Plug Style Corporation Stops are precision machined to assure a perfect match between the plug and the body. This same machining precision carries over to the threads to assure A.Y. McDonald's high quality. Corporation stops come standard with 360° operating head.

Pressure ratings are: 100 PSIG for 1/2", 3/4", 1" and 80 PSIG for 1 1/4", 1 1/2", 2"

74701

AWWA x Flare



Size	Carton PCS/WT	Price
1/2"	25/25	\$ 37.16
5/8" x 3/4"	25/39	\$ 47.60
3/4"	25/47	\$ 49.70
3/4" x 1"	20/45	\$ 61.63
1"	15/44	\$ 75.96
1 1/4"	5/27	\$ 230.43
1 1/2"	5/45	\$ 306.38
1 1/2" x 2"	3/37	\$ 361.43
2"	2/34	\$ 420.83

74701GFT

AWWA x G CTS with Flared Thread



Size	Carton PCS/WT	Price
1 1/2"	5/45	\$ 378.42
2"	2/30	\$ 581.18

74701-33

AWWA x -33 PEP-7



Size	Carton PCS/WT	Price
3/4"	25/48	\$ 66.32
3/4" x 1"	15/36	\$ 88.28
1"	10/30	\$ 111.67

74701-22

AWWA x -22 CTS



Size	Carton PCS/WT	Price
1/2"	25/26	\$ 44.86
5/8" x 3/4"	25/34	\$ 51.27
3/4"	25/41	\$ 53.44
3/4" x 1"	20/47	\$ 67.98
1"	15/39	\$ 80.83
1" x 1 1/4"	10/31	\$ 126.73
1 1/4"	5/25	\$ 260.07
1 1/2"	5/44	\$ 378.42
2"	2/30	\$ 581.18

74701Q

AWWA x Q CTS



Size	Carton PCS/WT	Price
3/4"	25/43	\$ 53.44
3/4" x 1"	25/50	\$ 67.98
1"	15/41	\$ 80.83
1 1/4"	5/25	\$ 260.07
1 1/2"	5/39	\$ 378.42
2"	2/27	\$ 581.18

74701-3G

AWWA x -3G PEP



Size	Carton PCS/WT	Price
3/4"	25/52	\$ 66.32
1"	10/32	\$ 111.67

74701-3Q

AWWA x -3Q PEP



Size	Carton PCS/WT	Price
3/4"	25/51	\$ 66.32
1"	10/32	\$ 111.67

74701-22FT

AWWA x -22 CTS with Flared Thread



Size	Carton PCS/WT	Price
1 1/2"	5/44	\$ 378.42
2"	2/32	\$ 581.18

74701T

AWWA x T CTS



Size	Carton PCS/WT	Price
5/8" x 3/4"	25/37	\$ 51.27
3/4"	25/42	\$ 53.44
3/4" x 1"	25/47	\$ 67.98
1"	15/41	\$ 80.83
1" x 1 1/4"	10/31	\$ 126.73
1 1/4"	5/25	\$ 260.07
1 1/2"	5/43	\$ 378.42
2"	2/27	\$ 581.18

74701-44

AWWA x -44 PVC



Size	Carton PCS/WT	Price
3/4"	25/48	\$ 66.32
3/4" x 1"	15/35	\$ 88.28
1"	10/30	\$ 111.67

74701G

AWWA x G CTS



Size	Carton PCS/WT	Price
5/8" x 3/4"	25/38	\$ 51.27
3/4"	25/45	\$ 53.44
3/4" x 1"	20/47	\$ 67.98
1"	15/42	\$ 80.83
1 1/4"	5/26	\$ 260.07
1 1/2"	5/43	\$ 378.42
2"	2/28	\$ 581.18

74701TFT

AWWA x T CTS with Flared Thread



Size	Carton PCS/WT	Price
1 1/2"	5/42	\$ 378.42
2"	2/29	\$ 581.18

OPTIONS

For additional outlet connection options, see page 16.

Plug Style - MNPT Inlets

A.Y. McDonald Plug Style Corporation Stops are precision machined to assure a perfect match between the plug and the body. This same machining precision carries over to the threads to assure A.Y. McDonald's high quality. Corporation stops come standard with 360° operating head.

Pressure ratings are: 100 PSIG for 1/2", 3/4", 1" and 80 PSIG for 1 1/4", 1 1/2", 2"

74704

MNPT x Flare



Size	Carton PCS/WT	Price
1/2"	25/26	\$ 37.16
3/4"	25/44	\$ 49.70
3/4" x 1"	25/48	\$ 61.63
1"	15/42	\$ 75.96
1 1/4"	5/28	\$ 230.43
1 1/2"	5/44	\$ 306.38
2"	2/32	\$ 420.83

74704GFT

MNPT x G CTS with Flared Thread



Size	Carton PCS/WT	Price
1 1/2"	5/44	\$378.42
2"	2/29	\$581.18

74704-33

MNPT x -33 PEP-7



Size	Carton PCS/WT	Price
3/4"	25/48	\$66.32
3/4" x 1"	15/34	\$88.28
1"	10/30	\$ 111.67

74704-22

MNPT x -22 CTS



Size	Carton PCS/WT	Price
1/2"	25/25	\$ 44.86
5/8" x 3/4"	25/34	\$ 51.27
3/4"	25/40	\$53.44
3/4" x 1"	20/45	\$67.98
1"	15/39	\$ 80.83
1" x 1 1/4"	10/31	\$ 126.73
1 1/4"	5/24	\$ 260.07
1 1/2"	5/44	\$ 378.42
2"	2/30	\$581.18

74704Q

MNPT x Q CTS



Size	Carton PCS/WT	Price
3/4"	25/40	\$53.44
3/4" x 1"	25/48	\$67.98
1"	15/40	\$ 80.83
1 1/4"	5/26	\$ 260.07
1 1/2"	5/38	\$ 378.42
2"	2/26	\$ 581.18

74704-3G

MNPT x -3G PEP



Size	Carton PCS/WT	Price
3/4"	25/52	\$ 66.32
1"	10/31	\$ 111.67

74704T

MNPT x T CTS



Size	Carton PCS/WT	Price
5/8" x 3/4"	25/24	\$ 51.27
3/4"	25/41	\$ 53.44
3/4" x 1"	25/47	\$ 67.98
1"	15/39	\$ 80.83
1" x 1 1/4"	10/31	\$ 126.73
1 1/4"	5/24	\$ 260.07
1 1/2"	5/36	\$ 378.42
2"	2/26	\$ 581.18

74704-3Q

MNPT x -3Q PEP



Size	Carton PCS/WT	Price
3/4"	25/49	\$ 66.32
1"	10/31	\$ 111.67

74704-22FT

MNPT x -22 CTS with Flared Thread



Size	Carton PCS/WT	Price
1 1/2"	5/43	\$ 378.42
2"	2/28	\$ 581.18

74704TFT

MNPT x T CTS with Flared Thread



Size	Carton PCS/WT	Price
1 1/2"	5/41	\$378.42
2"	2/26	\$581.18

74704-44

MNPT x -44 PVC



Size	Carton PCS/WT	Price
3/4"	25/47	\$66.32
3/4" x 1"	15/34	\$88.28
1"	10/30	\$ 111.67

74704G

MNPT x G CTS



Size	Carton PCS/WT	Price
3/4"	25/43	\$53.44
3/4" x 1"	25/50	\$67.98
1"	15/41	\$ 80.83
1 1/4"	5/26	\$ 260.07
1 1/2"	5/39	\$ 378.42
2"	2/26	\$ 581.18



OPTIONS

Pito Tube Corp (PITO) - 74701PITO, 74704PITO 3/4", 1" and 74701PITO-44, 74704PITO-44 1" do not meet AWWA C800 envelope requirements. Will not fit in tapping machines.

Contact factory for ordering Pito Tube Corporations.

For additional outlet connection options, see page 16

Plug Style - Threaded Inlets/Outlets

A.Y. McDonald Plug Style Corporation Stops are precision machined to assure a perfect match between the plug and the body. This same machining precision carries over to the threads to assure A.Y. McDonald's high quality. Corporation Stops come standard with 360° operating head.

Pressure ratings are: 100 PSIG for 1/2", 3/4", 1" and 80 PSIG for 1 1/4", 1 1/2", 2"

AWWA INLETS

73121

AWWA x Increase MNPT Thread



Inlet	Outlet	Carton PCS/WT	Price
1/2"	3/4"	25/21	\$ 37.16
5/8"	3/4"	25/27	\$ 43.36
3/4"	1"	25/37	\$ 46.96
1"	1 1/4"	15/35	\$ 70.96
1 1/4"	1 1/2"	8/23	\$ 186.17
1 1/2"	2"	5/38	\$ 264.75
2"	2 1/2"	2/25	\$ 382.43

NOTE: 73121 outlet has internal drive thread

73128

AWWA x MNPT



Size	Carton PCS/WT	Price
3/4"	25/35	\$ 46.96
1"	20/44	\$ 70.96
1 1/4"	10/41	\$ 194.15

73148

AWWA x FNPT (with wrench hex)



Size	Carton PCS/WT	Price
3/4"	25/36	\$ 54.73
1"	20/47	\$ 79.61

74000

Increasing Straight Thread w/ Gasket Swivel x MNPT



Size	Carton PCS/WT	Price
3/4"	40/23	\$ 42.56
1"	25/22	\$ 50.97
1 1/2"	4/10	\$ 96.61
2"	4/13	\$ 143.02

73120

AWWA x Special Purpose Thread



Size	Carton PCS/WT	Price
5/8"	25/29	\$ 62.97
3/4"	25/38	\$ 46.96
1"	15/35	\$ 69.66

NOTE: 73120 outlet has internal drive thread
End connections are found on pages 85-87

74746S

Increasing Straight Thread w/ Gasket Swivel x Flare

Size	Carton PCS/WT	Price
2"	4/30	\$ 333.06

MNPT INLETS

73122

MNPT x Increase MNPT Thread



Inlet	Outlet	Carton PCS/WT	Price
1/2"	3/4"	25/21	\$ 37.16
3/4"	1"	25/36	\$ 46.96
1"	1 1/4"	15/33	\$ 70.96

NOTE: 73122 outlet has internal drive thread

73149

MNPT x FNPT (with wrench hex)



Size	Carton PCS/WT	Price
3/4"	25/36	\$ 54.73
1"	15/33	\$ 79.61

73152

MNPT x MNPT (with wrench hex)

Size	Carton PCS/WT	Price
3/4"	25/32	\$ 49.22
1"	15/33	\$ 78.82

73131

MNPT x MNPT



Size	Carton PCS/WT	Price
1/2"	25/19	\$ 36.22
3/4"	25/34	\$ 46.96
1"	15/33	\$ 70.96
1 1/4"	5/21	\$ 210.39
1 1/2"	5/33	\$ 247.12
2"	2/23	\$ 377.01

OPTIONS

For additional outlet connection options, see page 16.

73120 & 73120B Corporation Stops

AWWA INLETS x SPECIAL PURPOSE THREAD OUTLETS

A.Y. McDonald Corporation Stops are precision machined to assure a perfect match between the plug and the body. This same machining precision carries over to the threads to assure A.Y. McDonald's high quality. Corporation Stops come standard with 360° operating head.

Pressure ratings are: 100 PSIG for 1/2", 3/4", 1" and 80 PSIG for 1 1/4", 1 1/2", 2"

Ball Valve style valves are rated at 300 PSIG and has a PTFE coated brass ball support by two EPDM seals.

Plug Valve style valves are rated at 100 PSIG and are precision machined to assure a perfect match between the plug and body.



73120 Plug Valve

AWWA x Special Purpose Thread

Size	Carton PCS/WT	Price
5/8"	25/29	\$ 62.97
3/4"	25/38	\$ 46.96
1"	15/35	\$ 69.66

NOTE: 73120 valve outlet has internal drive thread



73120B Ball Valve

AWWA x Special Purpose Thread

Size	Carton PCS/WT	Price
3/4"	25/32	\$ 64.09
1"	15/31	\$ 95.08

NOTE: 73120B valve outlet has internal drive thread

Couplings used with 73120 & 73120B Corporation Valves above



74742F

Female Special Purpose x FNPT

Size	Carton PCS/WT	Price
1/2" x 3/4"	50/24	\$ 17.99
5/8" x 3/4"	40/14	\$ 24.83
3/4"	40/16	\$ 23.08
3/4" x 1"	25/27	\$ 20.17
1"	20/12	\$ 39.71



74742-22

Female Special Purpose x -22 CTS

Size	Carton PCS/WT	Price
1/2" x 3/4"	50/24	\$ 31.18
5/8" x 3/4"	40/21	\$ 34.34
3/4"	40/24	\$ 31.21
3/4" x 1"	25/24	\$ 42.44
1"	20/17	\$ 41.89



74742T

Female Special Purpose x T CTS

Size	Carton PCS/WT	Price
1/2" x 3/4"	50/24	\$ 31.18
5/8" x 3/4"	40/22	\$ 34.34
3/4"	40/25	\$ 31.21
3/4" x 1"	25/24	\$ 42.44
1"	20/18	\$ 41.89



74742P

Female Special Purpose x MNPT

Size	Carton PCS/WT	Price
1/2" x 3/4"	50/24	\$17.71
3/4" x 1"	25/27	\$19.89



74742G

Female Special Purpose x G CTS

Size	Carton PCS/WT	Price
1/2" x 3/4"	50/24	\$ 31.18
5/8" x 3/4"	40/26	\$ 34.34
3/4"	40/29	\$ 33.75
3/4" x 1"	25/24	\$ 42.44
1"	20/21	\$ 45.24

74742CAP

Special Purpose Thread Corp Cap

Size	Carton PCS/WT	Price
3/4"	25/8	\$ 39.17
1"	25/7	\$ 63.35



74742

Female Special Purpose x Flare

Size	Carton PCS/WT	Price
1/2" x 3/4"	50/24	\$ 26.43
5/8" x 3/4"	40/28	\$ 30.28
3/4"	40/28	\$ 28.51
3/4" x 1"	25/27	\$ 39.41
1"	20/24	\$ 48.70



74742Q

Female Special Purpose x Q CTS

Size	Carton PCS/WT	Price
1/2" x 3/4"	50/24	\$ 31.18
5/8" x 3/4"	40/23	\$ 34.34
3/4"	40/25	\$ 33.75
3/4" x 1"	25/27	\$ 42.44
1"	20/28	\$ 45.24

OPTIONS

For additional outlet connection options, see page 16.

1/8 Bend Couplings used with 73120 & 73120B Corp Stops

FIXED FEMALE SPECIAL PURPOSE

74749F

Female Special Purpose x FNPT

Size	Carton PCS/WT	Price
5/8" x 3/4"	40/19	\$ 26.54
3/4"	20/10	\$ 24.86
1"	20/17	\$ 47.89

74749-22

Female Special Purpose x -22 CTS

Size	Carton PCS/WT	Price
1/2" x 3/4"	20/15	\$ 63.22
5/8" x 3/4"	40/28	\$ 34.93
5/8" x 1"	20/25	\$ 69.67
3/4"	20/14	\$ 33.08
3/4" x 1"	20/24	\$ 45.68
1"	20/22	\$ 56.11

74749Q

Female Special Purpose x Q CTS

Size	Carton PCS/WT	Price
1/2" x 3/4"	20/16	\$ 63.22
5/8" x 3/4"	40/28	\$ 34.93
5/8" x 1"	20/28	\$ 69.67
3/4"	20/15	\$ 33.08
3/4" x 1"	20/27	\$ 45.68
1"	20/24	\$ 56.11

74749

Female Special Purpose x Flare

Size	Carton PCS/WT	Price
1/2" x 3/4"	20/17	\$ 56.92
5/8" x 3/4"	40/32	\$ 32.00
5/8" x 1"	20/31	\$ 62.73
3/4"	20/16	\$ 30.35
3/4" x 1"	20/29	\$ 41.13
1"	20/27	\$ 56.90

74749G

Female Special Purpose x G CTS

Size	Carton PCS/WT	Price
1/2" x 3/4"	20/17	\$ 63.22
5/8" x 3/4"	40/32	\$ 34.93
5/8" x 1"	20/28	\$ 69.67
3/4"	20/16	\$ 33.08
3/4" x 1"	20/27	\$ 45.68
1"	20/26	\$ 56.11

74749T

Female Special Purpose x T CTS

Size	Carton PCS/WT	Price
1/2" x 3/4"	20/15	\$ 63.22
5/8" x 3/4"	40/29	\$ 34.93
5/8" x 1"	20/23	\$ 69.67
3/4"	20/15	\$ 33.08
3/4" x 1"	20/22	\$ 45.68
1"	20/23	\$ 56.11

SWIVEL FEMALE SPECIAL PURPOSE

74749SF

Female Special Purpose Swivel x FNPT

Size	Carton PCS/WT	Price
5/8" x 3/4"	25/20	\$ 46.11
3/4"	20/28	\$ 54.53
1"	20/24	\$ 47.95

74749S-22

Female Special Purpose Swivel x -22 CTS

Size	Carton PCS/WT	Price
5/8" x 3/4"	25/20	\$ 59.25
3/4"	20/25	\$ 37.64
1"	20/22	\$ 56.11

74749SQ

Female Special Purpose Swivel x Q CTS

Size	Carton PCS/WT	Price
5/8" x 3/4"	25/20	\$ 59.25
3/4"	20/19	\$ 37.64
1"	20/24	\$ 56.11

74749SP

Female Special Purpose Swivel x MNPT

Size	Carton PCS/WT	Price
5/8" x 3/4"	25/20	\$ 45.83
3/4"	20/28	\$ 48.67
1"	20/24	\$ 47.68

74749SG

Female Special Purpose Swivel x G CTS

Size	Carton PCS/WT	Price
5/8" x 3/4"	25/20	\$ 59.25
3/4"	20/25	\$ 37.64
1"	20/24	\$ 56.11

74749ST

Female Special Purpose Swivel x T CTS

Size	Carton PCS/WT	Price
5/8" x 3/4"	25/20	\$ 59.25
3/4"	20/25	\$ 37.64
1"	20/24	\$ 56.11

74749S

Female Special Purpose Swivel x Flare

Size	Carton PCS/WT	Price
5/8" x 3/4"	25/20	\$ 47.64
3/4"	20/25	\$ 45.16
1"	20/24	\$ 61.23

Corporation Stops

1/4 Bend Couplings used with 73120 & 73120B Corp Stops

FIXED FEMALE SPECIAL PURPOSE

74777F

Female Special Purpose x FNPT

Size	Carton PCS/WT	Price
5/8" x 3/4"	40/22	\$ 28.67
3/4"	20/12	\$ 27.26
1"	20/23	\$ 45.74

74777-22

Female Special Purpose x -22 CTS

Size	Carton PCS/WT	Price
5/8" x 3/4"	40/29	\$ 39.00
3/4"	20/16	\$ 37.80
1"	20/27	\$ 59.59



74777Q

Female Special Purpose x Q CTS

Size	Carton PCS/WT	Price
3/4"	20/18	\$ 37.80
1"	20/29	\$ 59.59



74777

Female Special Purpose x Flare

Size	Carton PCS/WT	Price
5/8" x 3/4"	40/36	\$ 34.13
3/4"	20/19	\$ 32.69
1"	20/33	\$ 54.46



74777G

Female Special Purpose x G CTS

Size	Carton PCS/WT	Price
3/4"	20/18	\$ 37.80
1"	20/29	\$ 59.59



74777T

Female Special Purpose x T CTS

Size	Carton PCS/WT	Price
5/8" x 3/4"	40/31	\$ 39.00
3/4"	20/17	\$ 37.80
1"	20/28	\$ 59.59



SWIVEL FEMALE SPECIAL PURPOSE

74777SF

Female Special Purpose Swivel x FNPT

Size	Carton PCS/WT	Price
5/8" x 3/4"	25/20	\$ 39.61
3/4"	20/15	\$ 35.29
1"	20/33	\$ 49.04



74777S-22

Female Special Purpose Swivel x -22 CTS

Size	Carton PCS/WT	Price
5/8" x 3/4"	25/29	\$ 39.03
3/4"	20/20	\$ 37.64
3/4" x 1"	25/30	\$ 45.94
1"	20/28	\$ 54.24



74777SQ

Female Special Purpose Swivel x Q CTS

Size	Carton PCS/WT	Price
5/8" x 3/4"	25/24	\$ 39.03
3/4"	20/22	\$ 37.64
3/4" x 1"	25/30	\$ 45.94
1"	20/28	\$ 54.24



74777SP

Female Special Purpose Swivel x MNPT

Size	Carton PCS/WT	Price
5/8" x 3/4"	25/17	\$ 39.34
3/4"	20/14	\$ 44.96
1"	20/26	\$ 56.42



74777SG

Female Special Purpose Swivel x G CTS

Size	Carton PCS/WT	Price
5/8" x 3/4"	25/24	\$ 39.03
3/4"	20/22	\$ 37.64
3/4" x 1"	25/30	\$ 45.94
1"	20/28	\$ 54.24



74777ST

Female Special Purpose Swivel x T CTS

Size	Carton PCS/WT	Price
5/8" x 3/4"	25/24	\$ 39.03
3/4"	20/22	\$ 37.64
3/4" x 1"	25/30	\$ 45.94
1"	20/28	\$ 54.24



74777S

Female Special Purpose Swivel x Flare

Size	Carton PCS/WT	Price
5/8" x 3/4"	25/28	\$ 40.73
3/4"	20/21	\$ 39.03
1"	20/32	\$ 53.31



74777S-3Q

Female Special Purpose Swivel x -3Q PEP

Size	Carton PCS/WT	Price
3/4"	25/30	\$ 45.94



Accessories

Fittings for Extra Strong Lead Pipe Flanged Corporations

74742LFF

Adapter Female XS x FNPT

Size	Carton PCS/WT	Price
1/2" x 3/4"	20/19	\$ 37.69
5/8" x 3/4"	20/13	\$ 25.11
3/4"	20/13	\$ 34.67
1"	25/22	\$ 67.35



74742LF-22

Adapter Female XS x -22 CTS

Size	Carton PCS/WT	Price
1/2" x 3/4"	20/19	\$ 53.21
5/8" x 3/4"	20/18	\$ 34.92
3/4"	20/18	\$ 34.92
1"	25/26	\$ 56.87

74742LFT

Adapter Female XS x T CTS

Size	Carton PCS/WT	Price
1/2" x 3/4"	20/19	\$ 53.21
5/8" x 3/4"	20/20	\$ 34.92
3/4"	20/17	\$ 34.92
1"	25/28	\$ 56.87



74742LFP

Adapter Female XS x MNPT

Size	Carton PCS/WT	Price
1/2" x 3/4"	20/19	\$ 37.33
5/8" x 3/4"	20/15	\$ 24.84
3/4"	20/11	\$ 34.40
1"	25/15	\$ 67.08



74742LFG

Adapter Female XS x G CTS

Size	Carton PCS/WT	Price
1/2" x 3/4"	20/19	\$ 53.21
5/8" x 3/4"	20/19	\$ 34.92
3/4"	20/18	\$ 34.92
1"	25/29	\$ 56.87

74742LFCAP

CAP XS LF Corp

Size	Carton PCS/WT	Price
5/8"	25/16	\$ 36.92
3/4"	25/14	\$ 46.48
1"	25/19	\$ 86.19

74742LF

Adapter Female XS x Flare

Size	Carton PCS/WT	Price
1/2" x 3/4"	20/19	\$ 46.29
5/8" x 3/4"	20/22	\$ 51.43
3/4"	20/19	\$ 55.43
1"	25/33	\$ 79.31



74742LFQ

Adapter Female XS x Q CTS

Size	Carton PCS/WT	Price
1/2" x 3/4"	20/19	\$ 53.21
5/8" x 3/4"	20/19	\$ 34.92
3/4"	20/18	\$ 34.92
1"	25/29	\$ 56.87



AWWA Corp Thread Fittings

74751

AWWA x Flare

Size	Carton PCS/WT	Price
3/4"	25/24	\$ 27.41
1"	20/31	\$ 50.54



74751G

AWWA x G CTS

Size	Carton PCS/WT	Price
3/4"	25/21	\$ 31.94
1"	20/27	\$ 52.63



74751T

AWWA x T CTS

Size	Carton PCS/WT	Price
3/4"	25/20	\$ 31.94
1"	20/25	\$ 52.63



74751-22

AWWA x-22 CTS

Size	Carton PCS/WT	Price
3/4"	25/20	\$ 31.94
1"	20/24	\$ 52.63



74751Q

AWWA x Q CTS

Size	Carton PCS/WT	Price
3/4"	25/21	\$ 31.94
1"	20/27	\$ 52.63



Accessories

Nut & Gasket Assemblies

4700

Flare



Size	Carton PCS/WT	Price
1/2"	50/8	\$ 3.68
3/4"	50/17	\$ 6.07
1"	50/28	\$ 10.03
1 1/4"	25/22	\$ 16.11
1 1/2"	20/27	\$ 27.98
2"	20/47	\$ 52.16

4700A

Flare Nut with Anode

Size	Carton PCS/WT	Price
3/4"	50/22	\$ 19.90
1"	50/35	\$ 19.86

4700G

G CTS



Size	Carton PCS/WT	Price
3/4"	50/17	\$ 11.05
1"	50/27	\$ 13.56
1 1/4"	25/20	\$ 21.33

4700G-16

G CTS



Size	Carton PCS/WT	Price
1 1/2"	25/14	\$ 37.11
2"	25/25	\$ 44.95

4700GFT

G CTS with Flare Thread



Size	Carton PCS/WT	Price
1 1/2"	20/24	\$ 37.14
2"	20/32	\$ 44.95

4700-22

-22 CTS



Size	Carton PCS/WT	Price
1/2"	50/11	\$ 6.58
3/4"	50/13	\$ 7.17
1"	50/17	\$ 11.05
1 1/4"	25/13	\$ 19.23

4700-22-16

-22 CTS



Size	Carton PCS/WT	Price
1 1/2"	25/20	\$ 23.30
2"	25/25	\$ 32.79

4700-22FT

-22 CTS with Flare Thread



Size	Carton PCS/WT	Price
1 1/2"	20/24	\$ 34.74
2"	20/32	\$ 44.01

4700-33

-33 PEP-7



Size	Carton PCS/WT	Price
3/4"	50/18	\$ 12.06
1"	25/13	\$ 19.78
1 1/4"	20/22	\$ 31.15
2"	20/31	\$ 42.08

4700-33A

PEP PAK Nut with Anode & Gasket

Size	Carton PCS/WT	Price
1 1/4"	20/24	\$ 40.98
2"	20/31	\$ 51.91

4700-3G

-3G PEP



Size	Carton PCS/WT	Price
3/4"	50/36	\$ 13.39
1"	25/19	\$ 21.35

4700Q

Q CTS



Size	Carton PCS/WT	Price
3/4"	50/14	\$ 11.05
1"	50/23	\$ 13.56
1 1/4"	25/14	\$ 21.33

4700QA

CTS with Anode Nut & Gasket



Size	Carton PCS/WT	Price
3/4"	50/18	\$ 20.88
1"	25/14	\$ 23.39

4700Q-16

Q CTS



Size	Carton PCS/WT	Price
1 1/2"	25/14	\$ 37.11
2"	25/25	\$ 44.95

4700T

T CTS



Size	Carton PCS/WT	Price
3/4"	50/14	\$ 9.27
1"	50/21	\$ 15.19
1 1/4"	25/19	\$ 21.33

4700TA

T CTS Anode Nut & Gasket



Size	Carton PCS/WT	Price
3/4"	50/16	\$ 19.10
1"	25/12	\$ 25.02

4700T-16

T CTS



Size	Carton PCS/WT	Price
1 1/2"	25/14	\$ 37.11
2"	25/25	\$ 44.95

4700TFT

T CTS with Flare Thread



Size	Carton PCS/WT	Price
1 1/2"	20/18	\$ 37.11
2"	20/28	\$ 44.95

Accessories

Nut & Gasket Assemblies

4700-3Q

-3Q PEP



Size	Carton PCS/WT	Price
3/4"	50/23	\$ 13.35
1"	50/28	\$ 21.33

4700-3QA

-3Q PEP with Anode



Size	Carton PCS/WT	Price
3/4"	25/14	\$ 23.18
1"	25/16	\$ 31.16

4700-44

-44 PVC



Size	Carton PCS/WT	Price
3/4"	50/18	\$ 9.30
1"	25/13	\$ 19.71
1 1/2"	20/20	\$ 33.09
2"	20/30	\$ 41.47

4700-22RWGA

CTS MAC-PAK



Size	Carton PCS/WT	Price
1 1/2"	10/1	\$ 4.00
2"	10/1	\$ 3.14

4700QGA

CTS McQuick



Size	Carton PCS/WT	Price
1 1/2"	10/1	\$ 11.00
2"	10/1	\$ 15.15

4700-22GA

CTS MAC-PAK



Size	Carton PCS/WT	Price
1 1/2"	10/1	\$ 4.58
2"	10/1	\$ 6.99

4700QA-16

CTS Anode

Size	Carton PCS/WT	Price
1 1/2"	25/17	\$ 38.73
2"	20/18	\$ 49.79

Gasket Assemblies

4700QGA

CTS McQuick

Size	1 Carton PCS/WT	Price
3/4"	50/1	\$ 4.29
1"	50/2	\$ 5.16
1 1/4"	10/1	\$ 6.82
1 1/2"	10/1	\$ 11.00
2"	10/1	\$ 15.15

4700GRWGA

T Compression

Size	Carton PCS/WT	Price
1 1/2"	10/1	\$ 12.43
2"	10/1	\$ 12.67

4700-22GA

CTS MAC-PAK

Size	Carton PCS/WT	Price
1/2"	50/1	\$ 1.29
3/4"	50/1	\$ 0.86
1"	50/1	\$ 1.08
1 1/4"	50/1	\$ 3.03

4700TRWGA

T Compression

Size	Carton PCS/WT	Price
1 1/2"	10/1	\$ 12.43
2"	10/1	\$ 12.67

4700GGA

T Compression

Size	Carton PCS/WT	Price
3/4"	25/1	\$ 3.11
1"	25/2	\$ 3.91
1 1/4"	10/1	\$ 6.71
1 1/2"	10/1	\$ 10.29
2"	10/2	\$ 15.43

4700QGA

CTS McQuick

Size	Carton PCS/WT	Price
3/4"	50/1	\$ 4.29
1"	50/1	\$ 5.16
1 1/4"	10/1	\$ 6.82

4700TGA

T Compression

Size	Carton PCS/WT	Price
3/4"	50/1	\$ 3.99
1"	50/1	\$ 4.94
1 1/4"	10/1	\$ 15.18
1 1/2"	10/1	\$ 13.13
2"	10/2	\$ 19.78

Accessories

Plugs

73206
Plug AWWA (Hollow Core)



Size	Carton PCS/WT	Price
1/2"	50/9	\$ 25.51
5/8"	50/15	\$ 25.88
3/4"	50/17	\$ 12.57
1"	25/10	\$ 18.29
1 1/4"	15/13	\$ 40.24
1 1/2"	15/17	\$ 41.02
2	10/16	\$ 53.18

73208
Plug (Hollow Core)
MNPT Corp Threads x Square Head



Size	Carton PCS/WT	Price
1/2"	50/10	\$ 11.74
3/4"	50/11	\$ 11.80
1"	25/7	\$ 18.85
1 1/4"	15/12	\$ 40.24
1 1/2"	15/12	\$ 43.43
2	10/11	\$ 53.18

732080
Plug - MNPT x Inside
Driving Threads



Size	Carton PCS/WT	Price
3/4" x 5/8"	50/23	\$ 28.24
1" x 5/8"	50/32	\$ 71.22

732060
Plug AWWA Thread with
Inside Driving Thread



Size	Carton PCS/WT	Price
5/8" x 5/8"	50/23	\$ 68.56
3/4" x 5/8"	50/25	\$ 62.02
1" x 5/8"	50/35	\$ 74.03

Washers & Gaskets

4742LFGSKT
Fiber Washer -
For 74742LF



Size	Carton PCS/WT	Price
1/2"	25/1	\$ 8.00
5/8"	25/1	\$ 1.86
3/4"	25/1	\$ 3.27
1"	25/1	\$ 5.34

4749GSKT
Fiber Washer -
For 74742, 74749, 74777



Size	Carton PCS/WT	Price
1/2"	25/1	\$ 1.58
5/8"	25/1	\$ 1.58
3/4"	25/1	\$ 1.68
1"	25/1	\$ 1.98

4749GCC
Copper Clad Gasket



Size	Carton PCS/WT	Price
3/4"	25/1	\$ 7.29
1"	25/1	\$ 11.75



Service Saddles & Repair Clamps



Service Saddles & Repair Clamps

Water Works Catalog / Price List - July 2017

MORE THAN A BRAND. WE'RE A FAMILY.

3801 AWWA / 3802 FNPT

IPS PVC PIPE (SCHEDULE 40 OR 80), ALL BRASS TWO BOLT SADDLES

A.Y. McDonald Mfg. Co. Model 3801, 3802 Brass Service Saddles are designed for use on PVC pipe and provide full circle support without cracking or distorting the pipe. The pressure capabilities equal, but do not exceed, the working pressure rating of the PVC pipe up to 200 PSIG.

MATERIALS

Top and Bottom

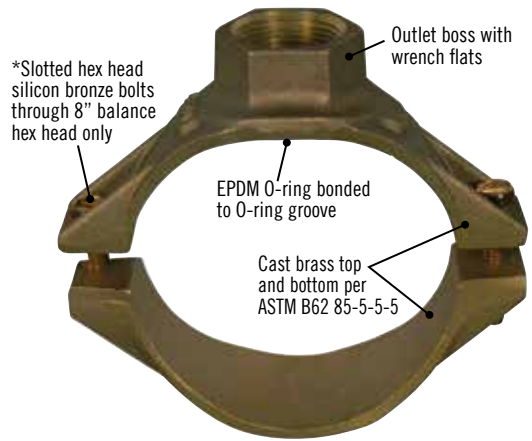
85-5-5-5 cast brass per ASTM B62

Silicon Bronze Bolts (standard)

- 1/2" Slotted Hex Head (3100-906)
5/16" - 18 UNC - 2A x 2" long
fits on 2", 2 1/2", 3", 4", 6" & 8" diameter saddles with 3/4" and 1" Taps
- 5/8" Slotted Hex Head (3100-908)
7/16" - 14 UNC - 2A x 2" long
fits on 4", 6" & 8" diameter saddles with 1 1/2" and 2" Taps
- 3/4" Hex Head (3100-915)
1/2" - 13 UNC - 2A x 3" long
fits on 10" & 12" diameter saddles with 1/2" - 2" Taps

NOTES

- Order Saddles by Model Number, Nominal Pipe Size and Tap Size (Example: 3801 6" x 3/4").
- All Saddles have cast Pipe O.D. range identification.
- All A.Y. McDonald Service Saddles meet A.W.W.A. standards.
- Use on cold water services only.



Installation instructions are provided with each saddle. Please read and follow instructions to ensure long lasting performance.

OPTIONS

- Contact factory for 1/2" or 1 1/4" tapped saddles.
- Contact factory for BSPT (British Standard Taper Thread) tapped saddles.
- Flat gasket - contact the factory
- Viton O-rings - add "V" to end of model number
i.e. 3801 = 3801V (see below for pricing)
- Viton® O-ring adder "V"
3/4".....\$ 10.68
1".....\$ 10.68
1 1/2".....\$ 15.44
2".....\$ 15.44
- SS Bolts - add "SS" to end of model number
i.e. 3801 = 3801SS (see below for pricing)
- Stainless Steel Bolts
\$ 5.45 per bolt

3801

			AWWA Tap							
Model	Nominal Size	Pipe O.D.	3/4"		1"		1 1/2"		2"	
			CTN/WT	Price	CTN/WT	Price	CTN/WT	Price	CTN/WT	Price
3801	2"	2.38	20/27	\$ 32.37	20/28	\$ 32.37				
3801	2 1/2"	2.88	20/30	\$ 40.53	20/32	\$ 40.53				
3801	3"	3.50	20/31	\$ 42.79	20/33	\$ 42.79				
3801	4"	4.50	10/23	\$ 50.36	10/23	\$ 50.36	10/34	\$ 108.39	10/37	\$ 108.39
3801	6"	6.63	10/28	\$ 75.10	10/32	\$ 75.10	10/39	\$ 141.70	10/44	\$ 141.70
3801	8"	8.63	6/25	\$ 103.19	6/24	\$ 103.19	6/31	\$ 146.13	6/30	\$ 146.13
3801	10"	10.75	3/27	\$ 199.10	3/27	\$ 199.10	3/33	\$ 284.05	3/30	\$ 284.05
3801	12"	12.75	3/32	\$ 264.90	3/32	\$ 264.90	3/38	\$ 306.00	3/36	\$ 306.00

3802

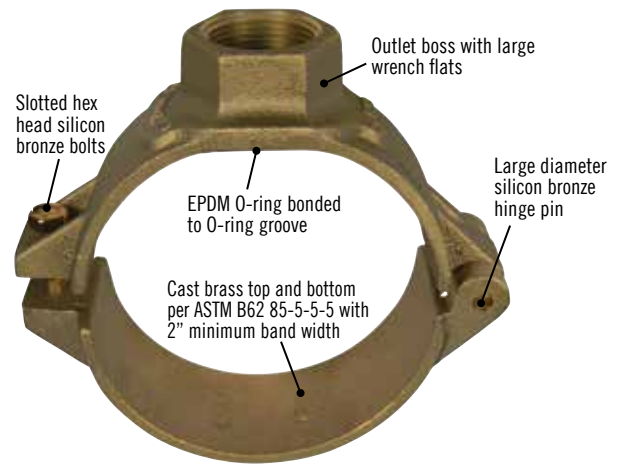
			FNPT Tap							
Model	Nominal Size	Pipe O.D.	3/4"		1"		1 1/2"		2"	
			CTN/WT	Price	CTN/WT	Price	CTN/WT	Price	CTN/WT	Price
3802	2"	2.38	20/28	\$ 32.37	20/28	\$ 32.37				
3802	2 1/2"	2.88	20/33	\$ 40.53	20/33	\$ 40.53				
3802	3"	3.50	20/33	\$ 42.79	20/35	\$ 42.79				
3802	4"	4.50	10/23	\$ 50.36	10/23	\$ 50.36	10/33	\$ 108.39	10/33	\$ 108.39
3802	6"	6.63	10/30	\$ 75.10	10/32	\$ 75.10	10/40	\$ 141.70	10/40	\$ 141.70
3802	8"	8.63	6/25	\$ 103.19	6/24	\$ 103.19	6/36	\$ 146.13	6/32	\$ 146.13
3802	10"	10.75	3/29	\$ 199.10	3/27	\$ 199.10	3/33	\$ 284.05	3/31	\$ 284.05
3802	12"	12.75	3/33	\$ 264.90	3/34	\$ 264.90	3/37	\$ 306.00	3/36	\$ 306.00

Service Saddles & Repair Clamps

3891 AWWA / 3892 FNPT

IPS PVC PIPE (SCHEDULE 40 OR 80), ALL BRASS HINGED SADDLES

A.Y. McDonald Mfg. Co. 3891 and 3892 Hinged Service Saddles are designed to give a positive water-tight seal with full support to the PVC pipe, without cracking or distorting the pipe. The pressure capabilities equal, but do not exceed the working pressure rating of the PVC pipe up to 200 PSIG.



Installation instructions are provided with each saddle. Please read and follow instructions to ensure long lasting performance.

MATERIALS

Top and Bottom

85-5-5-5 cast brass per ASTM B62

Silicon Bronze Bolts (standard)

- 1/2" Slotted Hex Head (3100-911)
- 5/16" - 18 UNC - 2A x 1 1/2" long
- One bolt for all 3/4" and 1" taps
- Two bolts for all 1 1/2" and 2" taps

Silicon Bronze Hinge Pin

- .25 diameter - Standard for all sizes

NOTES

- Order Saddles by Model Number, Nominal Pipe Size and Tap Size (Example: 3891 6" x 3/4").
- All Saddles have cast Pipe O.D. range identification.
- All A.Y. McDonald Service Saddles meet A.W.W.A. standards.
- Use on cold water services only.

OPTIONS

- Contact factory for 1/2" or 1 1/4" tapped saddles.
- Contact factory for BSPT (British Standard Taper Thread) tapped saddles.
- Flat gasket - contact the factory
- Viton O-rings - add "V" to end of model number
- i.e. 3891 = 3891V (see below for pricing)

Viton® O-ring adder "V"

3/4"	\$ 10.68
1"	\$ 10.68
1 1/2"	\$ 15.44
2"	\$ 15.44

- SS Bolts - add "SS" to end of model number
- i.e. 3891 = 3891SS (see below for pricing)

Stainless Steel Bolts

\$ 5.45 per bolt

3891

			AWWA Tap							
Model	Nominal Size	Pipe O.D.	3/4"		1"		1 1/2"		2"	
			CTN/WT	Price	CTN/WT	Price	CTN/WT	Price	CTN/WT	Price
3891	2"	2.38	20/36	\$ 32.37	20/37	\$ 32.37				
3891	2 1/2"	2.88	20/43	\$ 40.53	20/43	\$ 40.53				
3891	3"	3.50	20/43	\$ 42.79	20/47	\$ 42.79	5/21	\$ 138.43		
3891	4"	4.50	10/25	\$ 50.36	10/27	\$ 50.36	5/25	\$ 108.39	5/22	\$ 108.39
3891	6"	6.63	10/35	\$ 75.10	10/35	\$ 75.10	5/31	\$ 141.70	5/28	\$ 141.70
3891	8"	8.63	5/22	\$ 103.19	5/22	\$ 103.19	5/35	\$ 146.13	5/33	\$ 146.13

3892

			FNPT Tap							
Model	Nominal Size	Pipe O.D.	3/4"		1"		1 1/2"		2"	
			CTN/WT	Price	CTN/WT	Price	CTN/WT	Price	CTN/WT	Price
3892	2 1/2"	2.88	20/46	\$ 40.53	20/44	\$ 40.53				
3892	3"	3.50	20/43	\$ 42.79	20/46	\$ 42.79	5/21	\$ 138.43	5/19	\$ 138.43
3892	4"	4.50	10/27	\$ 50.36	10/27	\$ 50.36	5/25	\$ 108.39	5/23	\$ 108.39
3892	6"	6.63	10/35	\$ 75.10	10/36	\$ 75.10	5/31	\$ 141.70	5/28	\$ 141.70
3892	8"	8.63	5/24	\$ 103.19	5/23	\$ 103.19	5/33	\$ 146.13	5/34	\$ 146.13

3805 AWWA / 3806 FNPT

CAST IRON O.D. PVC PIPE (AWWA C900), ALL BRASS TWO BOLT SADDLES

A.Y. McDonald Mfg. Co. 3805 and 3806 Service Saddles are designed to give a positive water-tight seal with full support to the PVC pipe, without cracking or distorting the pipe. Order the correct saddles for your use from the charts below. **Not** for use with ductile iron, asbestos-cement, cast iron pipe or copper tube. The pressure capabilities equal, but do not exceed, the working pressure rating of the pipe, up to 200 PSIG.

MATERIALS

Top and Bottom

85-5-5-5 cast brass per ASTM B62

Silicon Bronze Bolts (standard)

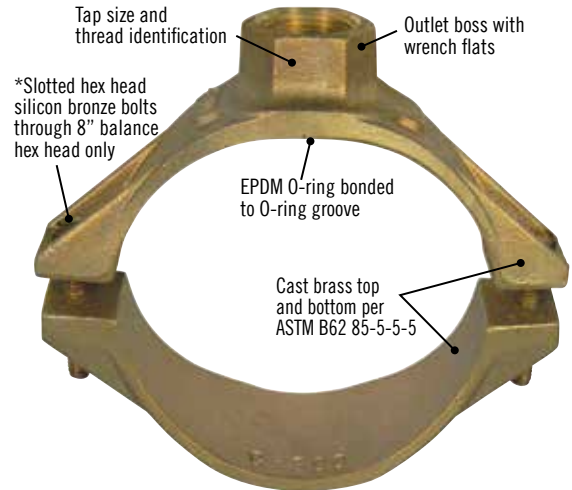
- 1/2" Slotted Hex Head (3100-906)
5/16" - 18 UNC - 2A x 2" long
fits on 2", 2 1/2", 3", 4", 6" & 8" diameter saddles with 3/4" and 1" Taps

- 5/8" Slotted Hex Head (3100-908)
7/16" - 14 UNC - 2A x 2" long
fits on 4", 6" & 8" diameter saddles with 1 1/2" and 2" Taps

- 3/4" Hex Head (3100-915)
1/2" - 13 UNC - 2A x 3" long
fits on 10" & 12" diameter saddles with 1/2" - 2" Taps

NOTES

- Order Saddles by Model Number, Nominal Pipe Size and Tap Size (**Example: 3805 10" x 1"**).
- All Saddles have cast Pipe O.D. range identification.
- All A.Y. McDonald Service Saddles meet A.W.W.A. standards.
- Use on cold water services only.



Installation instructions are provided with each saddle. Please read and follow instructions to ensure long lasting performance.

OPTIONS

- Contact factory for 1/2" or 1 1/4" tapped saddles.
- Contact factory for BSPT (British Standard Taper Thread) tapped saddles or BSPP (British Standard Parrell Pipe Thread)
- Flat gasket - contact the factory
- Viton O-rings - add "V" to end of model number
i.e. 3805 = 3805V (see below for pricing)
Viton® O-ring adder "V"
3/4"\$ 10.68
1"\$ 10.68
1 1/2"\$ 15.44
2"\$ 15.44
- SS Bolts - add "SS" to end of model number
i.e. 3805 = 3805SS (see below for pricing)
Stainless Steel Bolts
\$ 5.45 per bolt

3805

			AWWA Tap							
Model	Nominal Size	Pipe O.D.	3/4"		1"		1 1/2"		2"	
			CTN/WT	Price	CTN/WT	Price	CTN/WT	Price	CTN/WT	Price
3805	4"	4.80	10/24	\$ 54.96	10/24	\$ 54.96	10/33	\$ 137.54	10/37	\$ 137.54
3805	6"	6.90	10/30	\$ 75.10	10/29	\$ 75.10	10/41	\$ 141.70	10/43	\$ 141.70
3805	8"	9.05	6/25	\$ 105.11	6/25	\$ 105.11	6/35	\$ 161.79	6/32	\$ 161.79
3805	10"	11.10	3/28	\$ 284.05	3/27	\$ 284.05	3/32	\$ 284.05	3/30	\$ 284.05
3805	12"	13.20	3/34	\$ 306.00	3/33	\$ 306.00	3/38	\$ 306.00	3/37	\$ 306.00

3806

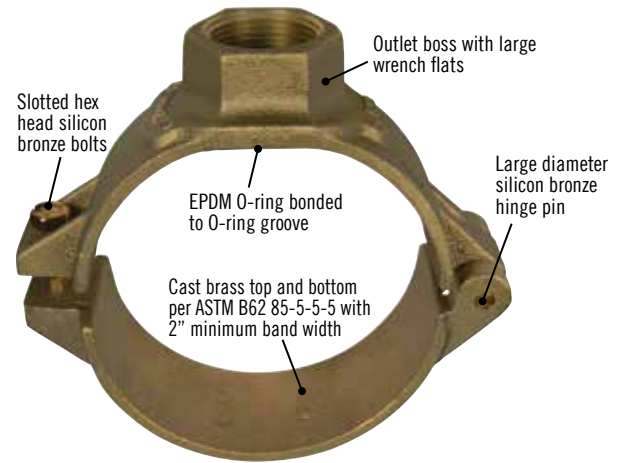
			FNPT Tap							
Model	Nominal Size	Pipe O.D.	3/4"		1"		1 1/2"		2"	
			CTN/WT	Price	CTN/WT	Price	CTN/WT	Price	CTN/WT	Price
3806	4"	4.80	10/23	\$ 54.96	10/24	\$ 54.96	10/33	\$ 137.54	10/34	\$ 137.54
3806	6"	6.90	10/29	\$ 75.10	10/30	\$ 75.10	10/37	\$ 141.70	10/40	\$ 141.70
3806	8"	9.05	6/26	\$ 105.11	6/25	\$ 105.11	6/35	\$ 161.79	6/35	\$ 161.79
3806	10"	11.10	3/27	\$ 284.05	3/27	\$ 284.05	3/34	\$ 284.05	3/30	\$ 284.05
3806	12"	13.20	3/34	\$ 306.00	3/32	\$ 306.00	3/38	\$ 306.00	3/38	\$ 306.00

Service Saddles & Repair Clamps

3895 AWWA / 3896 FNPT

CAST IRON O.D. PVC PIPE (AWWA C900), ALL BRASS HINGED SADDLES

A.Y. McDonald Mfg. Co. 3895 and 3896 Service Saddles are designed to give a positive water-tight seal with full support to the PVC pipe, without cracking or distorting the pipe. Order the correct saddles for your use from the following charts. **Not** for use with ductile iron, asbestos-cement or cast iron pipe or copper tube. The pressure capabilities equal, but do not exceed, the working pressure rating of the pipe, up to 200 PSIG.



Installation instructions are provided with each saddle. Please read and follow instructions to ensure long lasting performance.

MATERIALS

Top and Bottom

85-5-5 cast brass per ASTM B62

Silicon Bronze Bolts (standard)

- 1/2" Slotted Hex Head (3100-911)
- 5/16" - 18 UNC - 2A x 1 1/2" long
- One bolt for all 3/4" and 1" taps
- Two bolts for all 1 1/2" and 2" taps

Silicon Bronze Hinge Pin

- .25 diameter - Standard for all sizes

NOTES

- Order Saddles by Model Number, Nominal Pipe Size and Tap Size (**Example: 3895 8" x 1"**).
- All Saddles have cast Pipe O.D. range identification.
- All A.Y. McDonald Service Saddles meet A.W.W.A. standards.
- Use on cold water services only.

OPTIONS

- Contact factory for 1/2" or 1 1/4" tapped saddles.
- Contact factory for BSPT (British Standard Taper Thread) tapped saddles.
- Flat gasket - contact the factory
- Viton O-rings - add "V" to end of model number
i.e. 3895 = 3895V (see below for pricing)
- Viton® O-ring adder "V"**
- 3/4"\$ 10.68
- 1"\$ 10.68
- 1 1/2"\$ 15.44
- 2"\$ 15.44
- SS Bolts - add "SS" to end of model number
i.e. 3895 = 3895SS (see below for pricing)
- Stainless Steel Bolts**
- \$ 5.45 per bolt

Service Saddles & Repair Clamps

3895			AWWA Tap							
Model	Nominal Size	Pipe O.D.	3/4"		1"		1 1/2"		2"	
			CTN/WT	Price	CTN/WT	Price	CTN/WT	Price	CTN/WT	Price
3895	4"	4.80	10/30	\$ 54.96	10/27	\$ 54.96	5/25	\$ 137.54	5/23	\$ 137.54
3895	6"	6.90	10/37	\$ 75.10	10/35	\$ 75.10	5/31	\$ 141.70	5/29	\$ 141.70
3895	8"	9.05	5/24	\$ 105.11	5/24	\$ 105.11	5/36	\$ 161.79	5/34	\$ 161.79

3896			FNPT Tap							
Model	Nominal Size	Pipe O.D.	3/4"		1"		1 1/2"		2"	
			CTN/WT	Price	CTN/WT	Price	CTN/WT	Price	CTN/WT	Price
3896	4"	4.80	10/30	\$ 54.96	10/29	\$ 54.96	5/26	\$ 137.54	5/24	\$ 137.54
3896	6"	6.90	10/39	\$ 75.10	10/35	\$ 75.10	5/32	\$ 141.70	5/30	\$ 141.70
3896	8"	9.05	5/23	\$ 105.11	5/24	\$ 105.11	5/37	\$ 161.79	5/33	\$ 161.79

3815 AWWA / 3816 FNPT

DUCTILE IRON, ASBESTOS CEMENT OR CAST IRON O.D. PIPE, BRONZE SINGLE STRAP SADDLES WITH BRASS TOP

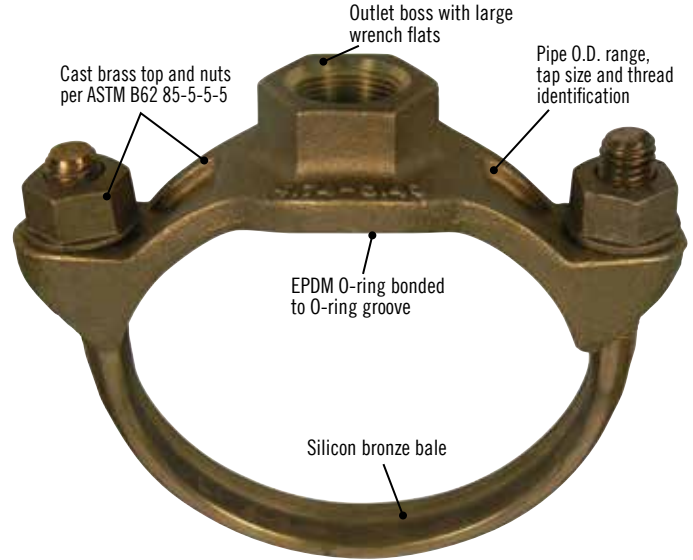
A.Y. McDonald Mfg. Co. Model 3815 and 3816 Single Bale Service Saddles are designed for use on service line connections to ductile iron, asbestos-cement or cast iron O.D. pipe water mains. The pressure capabilities equal, but do not exceed, the working pressure rating of the pipe, up to 200 PSIG.

MATERIALS

- Body** - 85-5-5-5 cast brass per ASTM B62
- Bale** - Silicon Bronze ASTM B98 C65100
- Nuts with enlarged washer bearing surface**
85-5-5-5 cast brass per ASTM B62

NOTES

- Order Saddles by Model Number, Nominal Pipe Size and Tap Size (**Example: 3815 8" x 1"**).
- All Saddles have Pipe O.D. size identification.
- All A.Y. McDonald Service Saddles meet A.W.W.A. standards.
- Use on cold water services only.



Installation instructions are provided with each saddle. Please read and follow instructions to ensure long lasting performance.

OPTIONS

- Contact factory for 1/2" or 1 1/4" tapped saddles.
- Contact factory for availability BSPT (British Standard Pipe Taper Thread) tapped saddles.
- Flat gasket - add "F" to end of model number
i.e. 3815 = 3815F (price is the same as standard o-ring).
- Viton O-rings - add "V" to end of model number
i.e. 3815 = 3815V (see below for pricing)

Viton® O-ring adder "V"

3/4"	\$ 10.68
1"	\$ 10.68
1 1/2"	\$ 15.44
2"	\$ 15.44

3815			AWWA Tap			
Model	Nominal Size	Pipe O.D.	3/4"		1"	
			CTN/WT	Price	CTN/WT	Price
3815	4"	4.74 - 5.40	8/28	\$ 79.13	8/27	\$ 79.13
3815	6"	6.84 - 7.50	8/35	\$ 96.30	8/34	\$ 96.30
3815	8"	8.99 - 9.67	8/41	\$ 122.74	8/40	\$ 122.74
3815	10"	11.04 - 12.12	6/35	\$ 160.59	6/35	\$ 160.59
3815	12"	13.20 - 14.38	6/39	\$ 171.09	6/41	\$ 171.09

3816			FNPT Tap			
Model	Nominal Size	Pipe O.D.	3/4"		1"	
			CTN/WT	Price	CTN/WT	Price
3816	4"	4.74 - 5.40	8/28	\$ 79.13	8/27	\$ 79.13
3816	6"	6.84 - 7.50	8/35	\$ 96.30	8/34	\$ 96.30
3816	8"	8.99 - 9.67	8/41	\$ 122.74	8/40	\$ 122.74
3816	10"	11.04 - 12.12	6/35	\$ 160.59	6/35	\$ 160.59
3816	12"	13.20 - 14.38	6/39	\$ 171.09	6/41	\$ 171.09

3825 AWWA / 3826 FNPT

DUCTILE IRON, ASBESTOS CEMENT OR CAST IRON O.D. PIPE, BRONZE DOUBLE STRAP SADDLES WITH BRASS TOP

A.Y. McDonald Mfg. Co. Model 3825, A & B and 3826, A & B Double Bale Service Saddles are designed for use on service line connections to ductile iron, asbestos-cement or cast iron O.D. pipe water mains. The pressure capabilities equal, but do not exceed, the working pressure rating of the pipe, up to 200 PSIG.

MATERIALS

Body - 85-5-5-5 cast brass per ASTM B62

Bale - Silicon Bronze ASTM B98 C65100

Nuts with enlarged washer bearing surface

85-5-5-5 cast brass per ASTM B62

NOTES

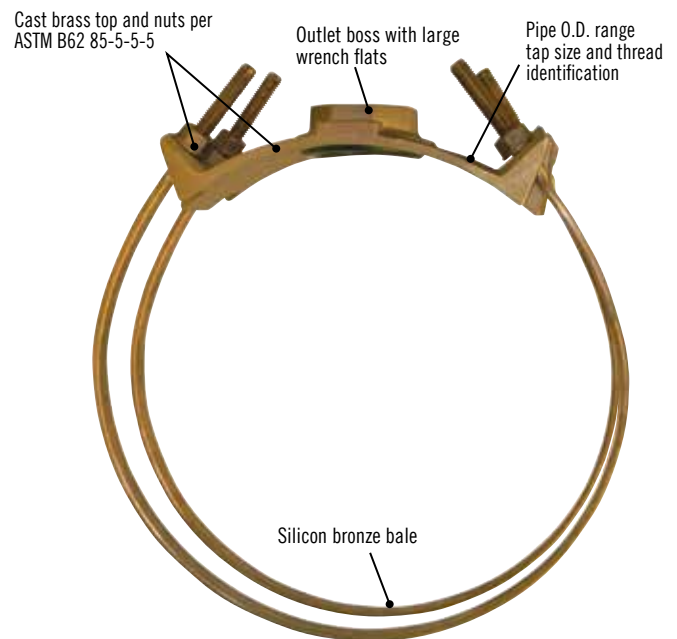
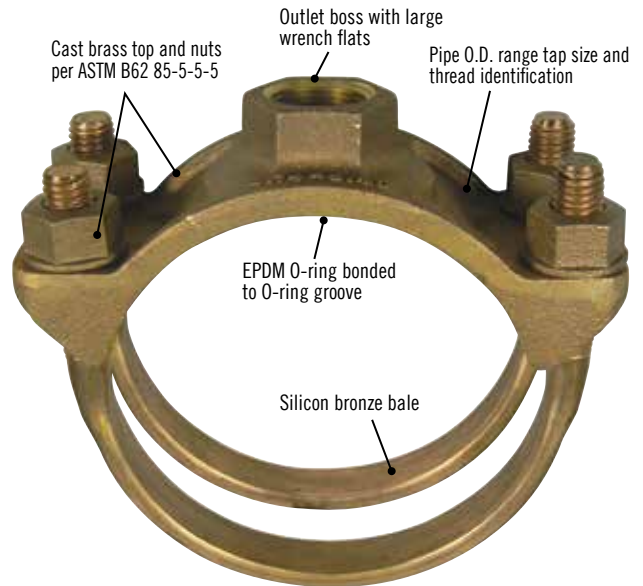
- Order Saddles by Model Number, Nominal Pipe Size and Tap Size (**Example: 3825A 8" x 1"**).
- All Saddles have Pipe O.D. size identification.
- All A.Y. McDonald Service Saddles meet A.W.W.A. standards.
- Use on cold water services only.

OPTIONS

- Contact factory for 1/2" or 1 1/4" tapped saddles.
- Contact factory for availability BSPT (British Standard Pipe Taper Thread) tapped saddles.
- Flat gasket - add "F" to end of model number
i.e. 3825 = 3825F (price is the same as standard o-ring).
- Viton O-rings - add "V" to end of model number
i.e. 3825 = 3825V (see below for pricing)

Viton® O-ring adder "V"

3/4"	\$ 10.68
1"	\$ 10.68
1 1/2"	\$ 15.44
2"	\$ 15.44



Installation instructions are provided with each saddle. Please read and follow instructions to ensure long lasting performance.

3825 AWWA / 3826 FNPT

DUCTILE IRON, ASBESTOS CEMENT OR CAST IRON O.D. PIPE,
BRONZE DOUBLE STRAP SADDLES WITH BRASS TOP

3825			AWWA Tap							
Model	Nominal Size	Pipe O.D.	3/4"		1"		1 1/2"		2"	
			CTN/WT	Price	CTN/WT	Price	CTN/WT	Price	CTN/WT	Price
3825	4"	4.74 - 5.40	5/30	\$ 143.59	5/30	\$ 143.59	5/37	\$ 167.46	5/38	\$ 182.28
3825	6"	6.84 - 7.50	5/37	\$ 169.12	5/37	\$ 169.12	5/43	\$ 193.37	5/44	\$ 212.44
3825	8"	8.99 - 9.67	5/45	\$ 209.30	5/43	\$ 209.30	4/40	\$ 220.35	4/41	\$ 239.90
3825	10"	11.04 - 12.12	3/32	\$ 259.32	3/33	\$ 259.32	3/35	\$ 284.78	3/36	\$ 305.86
3825	12"	13.20 - 14.38	3/38	\$ 303.48	3/37	\$ 303.48	3/41	\$ 342.28	3/41	\$ 348.45
3825A	14"	15.30 - 16.25	1/18	\$ 604.55	1/21	\$ 604.55	1/21	\$ 650.28	1/21	\$ 676.99
3825B	14"	16.30 - 17.25	1/22	\$ 690.40	1/22	\$ 690.40	1/22	\$ 741.72	1/21	\$ 828.36
3825A	16"	17.40 - 18.40	1/22	\$ 743.15	1/22	\$ 743.15	1/22	\$ 788.56	1/21	\$ 871.40
3825B	16"	18.50 - 19.25	1/22	\$ 743.15	1/22	\$ 743.15	1/22	\$ 788.56	1/21	\$ 871.40
3825	18"	19.50 - 20.50	1/20	\$ 1,016.86	1/24	\$ 1,016.86	1/23	\$ 1,016.86	1/19	\$ 1,016.86
3825A	20"	21.20 - 22.20	1/25	\$ 1,046.14	1/21	\$ 1,046.14	1/24	\$ 1,046.14	1/20	\$ 1,046.14
3825B	20"	22.50 - 23.50	1/26	\$ 1,077.69	1/26	\$ 1,077.69	1/24	\$ 1,077.69	1/24	\$ 1,077.69
3825A	24"	23.80 - 24.80	1/26	\$ 1,122.69	1/22	\$ 1,122.69	1/26	\$ 1,122.69	1/21	\$ 1,122.69
3825B	24"	25.60 - 26.50	1/27	\$ 1,148.63	1/27	\$ 1,148.63	1/27	\$ 1,148.63	1/26	\$ 1,148.63
3825	30"	31.74 - 32.74	1/30	\$ 1,457.47	1/30	\$ 1,457.47	1/26	\$ 1,457.47	1/29	\$ 1,457.47

3826			FNPT Tap							
Model	Nominal Size	Pipe O.D.	3/4"		1"		1 1/2"		2"	
			CTN/WT	Price	CTN/WT	Price	CTN/WT	Price	CTN/WT	Price
3826	4"	4.74 - 5.40	5/31	\$ 143.59	5/30	\$ 143.59	5/37	\$ 167.46	5/34	\$ 182.28
3826	6"	6.84 - 7.50	5/37	\$ 169.12	5/37	\$ 169.12	5/43	\$ 193.37	5/41	\$ 212.44
3826	8"	8.99 - 9.67	5/44	\$ 209.30	5/45	\$ 209.30	4/40	\$ 220.35	4/39	\$ 239.90
3826	10"	11.04 - 12.12	3/32	\$ 259.32	3/33	\$ 259.32	3/37	\$ 284.78	3/35	\$ 305.86
3826	12"	13.20 - 14.38	3/38	\$ 303.48	3/35	\$ 303.48	3/42	\$ 342.28	3/40	\$ 348.45
3826A	14"	15.30 - 16.25	1/18	\$ 604.55	1/22	\$ 604.55	1/18	\$ 650.28	1/17	\$ 676.99
3826B	14"	16.30 - 17.25	1/22	\$ 690.40	1/22	\$ 690.40	1/22	\$ 741.72	1/21	\$ 828.36
3826A	16"	17.40 - 18.40	1/22	\$ 743.15	1/22	\$ 743.15	1/22	\$ 788.56	1/21	\$ 871.40
3826B	16"	18.50 - 19.25	1/20	\$ 743.15	1/23	\$ 743.15	1/19	\$ 788.56	1/22	\$ 871.40
3826	18"	19.50 - 20.50	1/24	\$ 1,016.86	1/24	\$ 1,016.86	1/23	\$ 1,016.86	1/23	\$ 1,016.86
3826A	20"	21.20 - 22.20	1/25	\$ 1,046.14	1/25	\$ 1,046.14	1/24	\$ 1,046.14	1/25	\$ 1,046.14
3826B	20"	22.50 - 23.50	1/26	\$ 1,077.69	1/26	\$ 1,077.69	1/25	\$ 1,077.69	1/26	\$ 1,077.69
3826A	24"	23.80 - 24.80	1/26	\$ 1,122.69	1/22	\$ 1,122.69	1/26	\$ 1,122.69	1/22	\$ 1,122.69
3826B	24"	25.60 - 26.50	1/23	\$ 1,148.63	1/23	\$ 1,148.63	1/27	\$ 1,148.63	1/26	\$ 1,148.63
3826	30"	31.74 - 32.74	1/30	\$ 1,457.47	1/30	\$ 1,457.47	1/30	\$ 1,457.47	1/25	\$ 1,457.47

Service Saddles & Repair Clamps

3835 AWWA / 3836 FNPT

CAST IRON O.D. PVC PIPE (AWWA C900), STAINLESS STEEL SINGLE BAND SADDLES WITH BRASS TOP

A.Y. McDonald Mfg. Co. 3835 and 3836 Service Saddles with Stainless Steel Band are designed for use on service line connections to cast iron O.D. PVC pipe AWWA C-900 water mains. The pressure capabilities equal, but do not exceed, the working pressure rating of the pipe, up to 200 PSIG.

MATERIALS

- Body** - 85-5-5-5 cast brass per ASTM B62
- Band and Studs** - 304 Stainless Steel
- Nuts and Washers** - 304 Stainless Steel
- Nuts are supplied with Fluorocarbon coating

NOTES

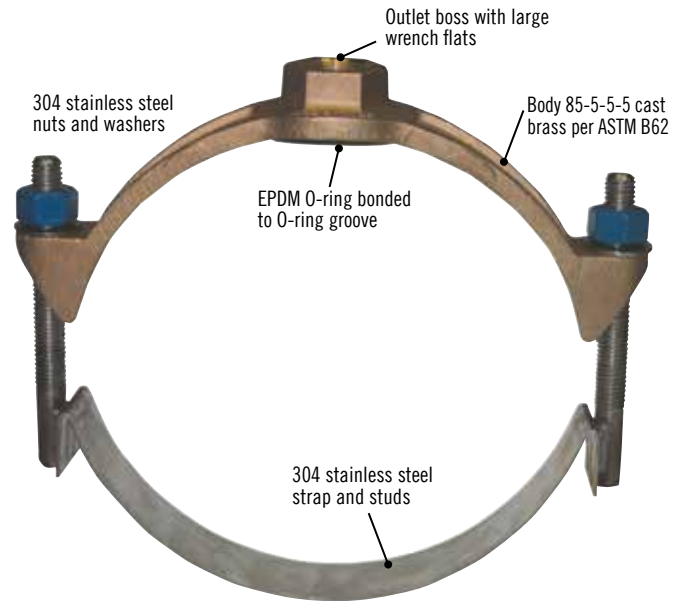
- Order Saddles by Model Number, Nominal Pipe Size and Tap Size (**Example: 3835 8" x 1"**).
- All Saddles have cast Pipe O.D. range identification.
- All A.Y. McDonald Service Saddles meet A.W.W.A. standards.
- Use on cold water services only.

OPTIONS

- Contact factory for 1/2" or 1 1/4" tapped saddles.
- Contact factory for availability BSPT (British Standard Pipe Taper Thread) tapped saddles.
- Flat gasket - add "F" to end of model number
i.e. 3835 = 3835F (price is the same as standard o-ring)
- 316 Stainless Steel Bands - add "-316" at end of model number
i.e. 3835 = 3835-316 (contact factory for pricing).
- Viton O-rings - add "V" to end of model number
i.e. 3835 = 3835V (see below for pricing)

Viton® O-ring adder "V"

3/4".....	\$ 10.68
1".....	\$ 10.68
1 1/2".....	\$ 15.44
2".....	\$ 15.44



Installation instructions are provided with each saddle. Please read and follow instructions to ensure long lasting performance.

Service Saddles & Repair Clamps

3835			AWWA Tap			
Model	Nominal Size	Pipe O.D.	3/4"		1"	
			CTN/WT	Price	CTN/WT	Price
3835	4"	4.80	8/28	\$ 91.64	8/28	\$ 91.64
3835	6"	6.90	8/33	\$ 111.50	8/34	\$ 111.50
3835	8"	9.05	8/40	\$ 142.10	8/38	\$ 142.10
3835	10"	11.10	6/33	\$ 185.91	6/32	\$ 185.91
3835	12"	13.20	6/38	\$ 198.05	6/38	\$ 198.05

3836			FNPT Tap			
Model	Nominal Size	Pipe O.D.	3/4"		1"	
			CTN/WT	Price	CTN/WT	Price
3836	4"	4.80	8/29	\$ 91.64	8/29	\$ 91.64
3836	6"	6.90	8/33	\$ 111.50	8/33	\$ 111.50
3836	8"	9.05	8/40	\$ 142.10	8/39	\$ 142.10
3836	10"	11.10	6/33	\$ 185.91	6/33	\$ 185.91
3836	12"	13.20	6/38	\$ 198.05	6/37	\$ 198.05

3845 AWWA / 3846 FNPT

CAST IRON O.D. PVC PIPE (AWWA C900, C905), WIDE STAINLESS STEEL BAND SADDLES WITH BRASS TOP

A.Y. McDonald Mfg. Co. 3845, A&B and 3846, A&B Service Saddles with Wide Stainless Steel Band are designed for use on service line connections to cast iron O.D. PVC pipe AWWA C900/C905 water mains. The pressure capabilities equal, but do not exceed, the working pressure rating of the pipe, up to 200 PSIG. For C900/C905 PVC Pipe.

MATERIALS

- Body** - 85-5-5-5 cast brass per ASTM B62
- Band and Studs** - 304 Stainless Steel
- Nuts and Washers** - 304 Stainless Steel
- Nuts are supplied with Fluorocarbon coating

NOTES

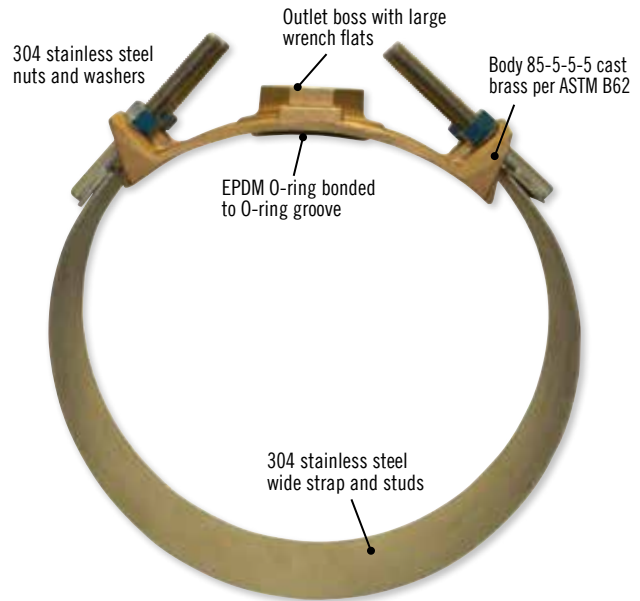
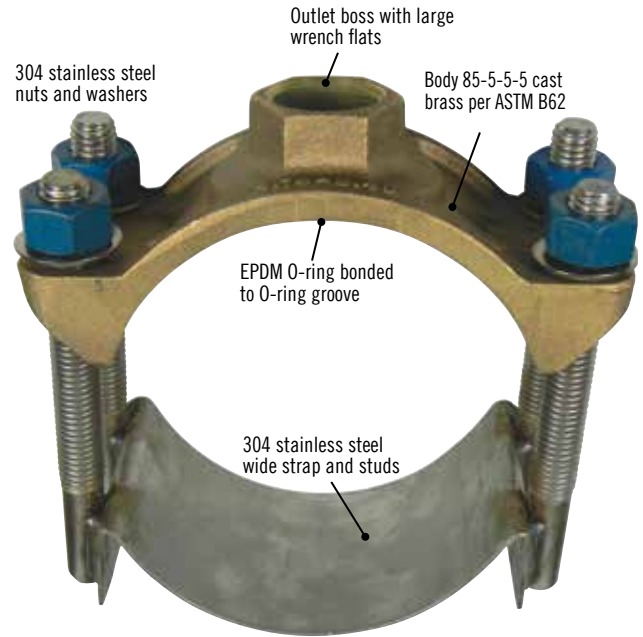
- Order Saddles by Model Number, Nominal Pipe Size and Tap Size (**Example: 3845 8" x 1"**).
- All Saddles have Pipe O.D. range identification.
- All A.Y. McDonald Service Saddles meet A.W.W.A. standards.
- Use on cold water services only.

OPTIONS

- Contact factory for 1/2" or 1 1/4" tapped saddles.
- Contact factory for availability BSPT (British Standard Pipe Taper Thread) tapped saddles.
- Flat gasket - add "F" to end of model number
i.e. 3845 = 3845F (price is the same as standard o-ring)
- 316 Stainless Steel Bands - add "-316" at end of model number
i.e. 3835 = 3845-316 (contact factory for pricing).
- Viton O-rings - add "V" to end of model number
i.e. 3845 = 3845V (see below for pricing)

Viton® O-ring adder "V"

3/4".....	\$ 10.68
1".....	\$ 10.68
1 1/2".....	\$ 15.44
2".....	\$ 15.44



Installation instructions are provided with each saddle. Please read and follow instructions to ensure long lasting performance.

3845 AWWA / 3846 FNPT

CAST IRON O.D. PVC PIPE (AWWA C900, C905), WIDE STAINLESS STEEL BAND SADDLES WITH BRASS TOP

3845			AWWA Tap							
Model	Nominal Size	Pipe O.D.	3/4"		1"		1 1/2"		2"	
			CTN/WT	Price	CTN/WT	Price	CTN/WT	Price	CTN/WT	Price
3845	4"	4.80	5/31	\$ 166.27	5/30	\$ 166.27	5/37	\$ 193.91	5/38	\$ 200.52
3845	6"	6.90	5/36	\$ 195.80	5/35	\$ 195.80	5/42	\$ 223.88	5/43	\$ 233.69
3845	8"	9.05	5/41	\$ 242.39	5/40	\$ 242.39	4/36	\$ 255.11	4/37	\$ 263.86
3845	10"	11.10	3/28	\$ 300.25	3/29	\$ 300.25	3/33	\$ 329.76	3/34	\$ 336.40
3845	12"	13.20	3/33	\$ 333.85	3/30	\$ 333.85	3/36	\$ 376.49	3/36	\$ 383.39
3845A	14"	15.30 - 16.25	1/22	\$ 726.57	1/19	\$ 726.57	1/21	\$ 781.55	1/22	\$ 813.65
3845B	14"	16.30 - 17.25	1/22	\$ 829.77	1/22	\$ 829.77	1/22	\$ 891.39	1/22	\$ 995.55
3845A	16"	17.40 - 18.40	1/21	\$ 878.54	1/20	\$ 878.54	1/20	\$ 932.21	1/22	\$ 1,030.22
3845B	16"	18.50 - 19.25	1/22	\$ 878.54	1/22	\$ 878.54	1/22	\$ 932.21	1/22	\$ 1,030.22
3845	18"	19.50 - 20.50	1/28	\$ 1,034.77	1/21	\$ 1,034.77	1/23	\$ 1,034.77	1/23	\$ 1,034.77
3845A	20"	21.20 - 22.20	1/23	\$ 1,064.83	1/23	\$ 1,064.83	1/23	\$ 1,064.83	1/23	\$ 1,064.83
3845B	20"	22.50 - 23.50	1/24	\$ 1,096.67	1/24	\$ 1,096.67	1/24	\$ 1,096.67	1/24	\$ 1,096.67
3845A	24"	23.80 - 24.80	1/25	\$ 1,142.42	1/25	\$ 1,142.42	1/25	\$ 1,142.42	1/25	\$ 1,142.42
3845B	24"	25.60 - 26.50	1/25	\$ 1,169.95	1/25	\$ 1,169.95	1/25	\$ 1,169.95	1/25	\$ 1,169.95
3845	30"	31.74 - 32.74	1/30	\$ 1,228.63	1/30	\$ 1,228.63	1/30	\$ 1,228.63	1/30	\$ 1,228.63

3846			FNPT Tap							
Model	Nominal Size	Pipe O.D.	3/4"		1"		1 1/2"		2"	
			CTN/WT	Price	CTN/WT	Price	CTN/WT	Price	CTN/WT	Price
3846	4"	4.80	5/31	\$ 166.27	5/30	\$ 166.27	5/38	\$ 193.91	5/36	\$ 200.52
3846	6"	6.90	5/36	\$ 195.80	5/36	\$ 195.80	5/42	\$ 223.88	5/40	\$ 233.69
3846	8"	9.05	5/41	\$ 242.39	5/40	\$ 242.39	4/38	\$ 255.11	4/36	\$ 263.86
3846	10"	11.10	3/29	\$ 300.25	3/29	\$ 300.25	3/32	\$ 329.76	3/31	\$ 336.40
3846	12"	13.20	3/33	\$ 333.85	3/33	\$ 333.85	3/36	\$ 376.49	3/35	\$ 383.39
3846A	14"	15.30 - 16.25	1/22	\$ 726.57	1/19	\$ 726.57	1/21	\$ 781.55	1/19	\$ 813.65
3846B	14"	16.30 - 17.25	1/21	\$ 711.64	1/22	\$ 829.77	1/22	\$ 891.39	1/22	\$ 995.55
3846A	16"	17.40 - 18.40	1/22	\$ 878.54	1/21	\$ 878.54	1/22	\$ 932.21	1/22	\$ 1,030.22
3846B	16"	18.50 - 19.25	1/22	\$ 878.54	1/22	\$ 878.54	1/22	\$ 932.21	1/22	\$ 1,030.22
3846	18"	19.50 - 20.50	1/23	\$ 1,034.77	1/23	\$ 1,034.77	1/23	\$ 1,034.77	1/21	\$ 1,034.77
3846A	20"	21.20 - 22.20	1/23	\$ 1,064.83	1/23	\$ 913.23	1/23	\$ 913.23	1/22	\$ 913.23
3846B	20"	22.50 - 23.50	1/24	\$ 1,096.67	1/24	\$ 1,096.67	1/24	\$ 1,096.67	1/24	\$ 1,096.67
3846A	24"	23.80 - 24.80	1/25	\$ 979.78	1/25	\$ 979.78	1/25	\$ 979.78	1/25	\$ 979.78
3846B	24"	25.60 - 26.50	1/25	\$ 1,169.95	1/25	\$ 1,169.95	1/25	\$ 1,169.95	1/24	\$ 1,169.95
3846	30"	31.74 - 32.74	1/30	\$ 1,228.63	1/30	\$ 1,228.63	1/30	\$ 1,228.63	1/30	\$ 1,228.63

Service Saddles & Repair Clamps

3855 AWWA / 3856 FNPT

CAST IRON O.D. PVC PIPE (AWWA C900) STAINLESS STEEL DOUBLE BAND SADDLES WITH BRASS TOP

A.Y. McDonald Mfg. Co. 3855 and 3856 Service Saddles with two Stainless Steel Bands are designed for use on service line connections to cast iron O.D. PVC pipe AWWA C-900 water mains. The pressure capabilities equal, but do not exceed, the working pressure rating of the pipe, up to 200 PSIG.

MATERIALS

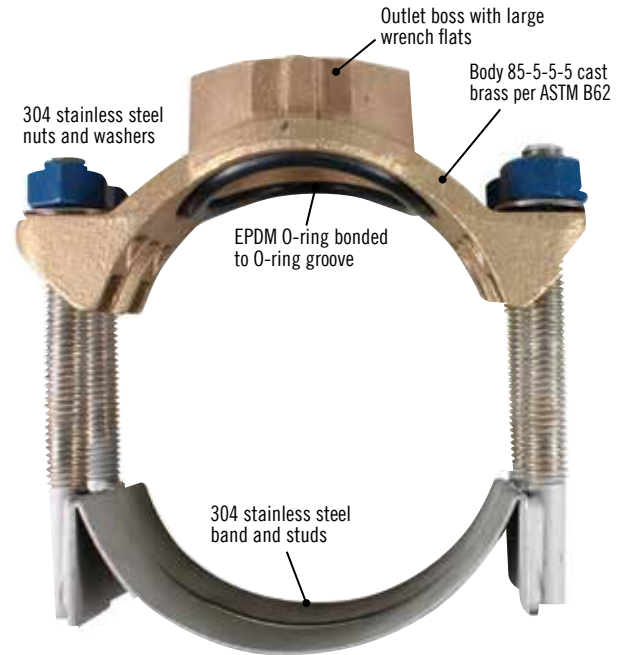
- Body** - 85-5-5-5 cast brass per ASTM B62
- Band and Studs** - 304 Stainless Steel
- Nuts and Washers** - 304 Stainless Steel
- Nuts are supplied with Fluorocarbon coating

NOTES

- Order Saddles by Model Number, Nominal Pipe Size and Tap Size (**Example: 3855 8" x 1"**).
- All Saddles have cast Pipe O.D. range identification.
- All A.Y. McDonald Service Saddles meet A.W.W.A. standards.
- Use on cold water services only.

OPTIONS

- Contact factory for 1/2" or 1 1/4" tapped saddles.
 - Contact factory for availability BSPT (British Standard Pipe Taper Thread) tapped saddles.
 - Flat gasket - add "F" to end of model number
i.e. 3855 = 3855F (price is the same as standard o-ring)
 - 316 Stainless Steel Bands - add "-316" at end of model number
i.e. 3855 = 3855-316 (contact factory for pricing).
 - Viton O-rings - add "V" to end of model number
i.e. 3855 = 3855V (see below for pricing)
- Viton® O-ring adder "V"**
- | | |
|--------------|----------|
| 3/4" | \$ 10.68 |
| 1" | \$ 10.68 |
| 1 1/2" | \$ 15.44 |
| 2" | \$ 15.44 |



Installation instructions are provided with each saddle. Please read and follow instructions to ensure long lasting performance.

3855

			AWWA Tap							
Model	Nominal Size	Pipe O.D.	3/4"		1"		1 1/2"		2"	
			CTN/WT	Price	CTN/WT	Price	CTN/WT	Price	CTN/WT	Price
3855	4"	4.80	5/34	\$ 166.27	5/31	\$ 166.27	5/37	\$ 193.91	5/39	\$ 200.52
3855	6"	6.90	5/36	\$ 195.80	5/36	\$ 195.80	5/42	\$ 223.88	5/43	\$ 233.69
3855	8"	9.05	5/42	\$ 242.39	5/41	\$ 242.39	4/39	\$ 255.11	4/39	\$ 264.09
3855	10"	11.10	3/30	\$ 301.64	3/30	\$ 301.64	3/34	\$ 329.76	3/33	\$ 336.40
3855	12"	13.20	3/34	\$ 333.85	3/33	\$ 333.85	3/39	\$ 376.49	3/37	\$ 383.39

3856

			FNPT Tap							
Model	Nominal Size	Pipe O.D.	3/4"		1"		1 1/2"		2"	
			CTN/WT	Price	CTN/WT	Price	CTN/WT	Price	CTN/WT	Price
3856	4"	4.80	5/34	\$ 166.27	5/31	\$ 166.27	5/37	\$ 193.91	5/37	\$ 200.52
3856	6"	6.90	5/37	\$ 195.80	5/36	\$ 195.80	5/43	\$ 223.88	5/42	\$ 233.69
3856	8"	9.05	5/42	\$ 242.39	5/42	\$ 242.39	4/39	\$ 255.11	4/38	\$ 264.09
3856	10"	11.10	3/30	\$ 301.64	3/30	\$ 301.64	3/34	\$ 329.76	3/33	\$ 336.40
3856	12"	13.20	3/33	\$ 333.85	3/33	\$ 333.85	3/37	\$ 376.49	3/36	\$ 383.39

Service Saddles & Repair Clamps

4815A, 4816A, 4825A, & 4826A

DUCTILE IRON PIPE, DUCTILE IRON BODY SADDLES, ASBESTOS CEMENT

A.Y. McDonald Ductile Iron Body Service Saddles have a wide range of specified models and are designed for use with asbestos cast, ductile iron or cement pipe. These saddles offer a trouble-free and efficient way of tapping a water main and are recommended for use on underground water mains. The pressure capabilities equal, but do not exceed, the working pressure rating of the pipe, up to 200 PSIG.

MATERIALS

Body - Ductile Iron

Coating - Fusion Epoxy

Bale - Zinc Plated Steel

Nuts - Xylan® coated 304 Stainless Steel

Washer - 304 Stainless Steel

NOTES

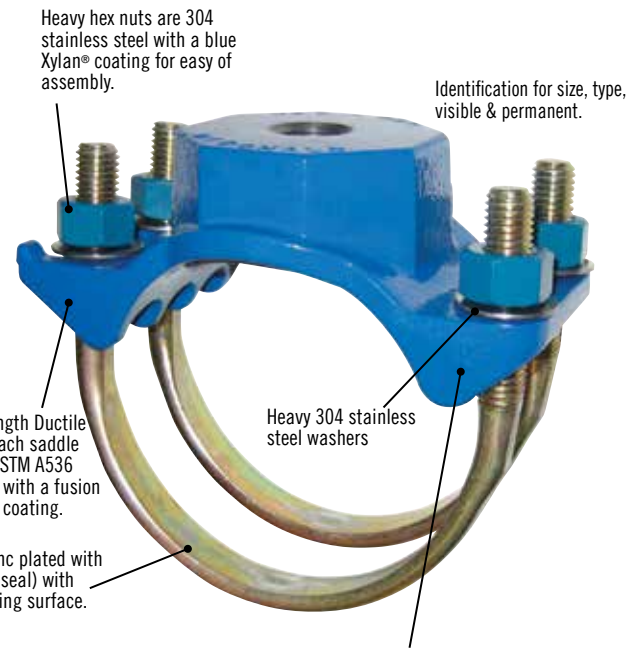
- Order Saddles by Model Number, Nominal Pipe Size and Tap Size (**Example: 4815A 8" x 1"**).
- All Saddles have Pipe O.D. size identification.
- All A.Y. McDonald Service Saddles meet A.W.W.A. standards.
- Use on cold water services only.

OPTIONS

- Contact factory for availability BSPT (British Standard Pipe Taper Thread) tapped saddles.
- Flat gasket - add "F" to end of model number
i.e. 4815A = 4815AF (price is the same as standard o-ring)
- Viton O-rings - add "V" to end of model number
i.e. 4815A = 4815AV (see below for pricing)

Viton® O-ring adder "V"

3/4"	\$ 10.68
1"	\$ 10.68
1 1/2"	\$ 15.44
2"	\$ 15.44



One side of the saddle has closed lugs to allow for pre-assembly, the other side has tapered open lugs with nubs to assist and make installation easier.

Installation instructions are provided with each saddle. Please read and follow instructions to ensure long lasting performance.



Single Bale
4815A AWWA Tap
4816A FNPT TAP



Double Bale
4825A AWWA Tap
4826A FNPT TAP

4815A, 4816A, 4825A, & 4826A

DUCTILE IRON PIPE, DUCTILE IRON BODY SADDLES, ASBESTOS CEMENT

4815A

Single Steel Bale

			AWWA Tap											
Model	Nominal Size	Pipe O.D.	1/2"		3/4"		1"		1 1/4"		1 1/2"		2"	
			CTN/WT	Price	CTN/WT	Price	CTN/WT	Price	CTN/WT	Price	CTN/WT	Price	CTN/WT	Price
4815A	4"	4.50 - 4.80	4/26	\$ 41.61	4/26	\$ 41.61	4/26	\$ 41.61	4/26	\$ 52.17	4/24	\$ 52.17	4/23	\$ 52.17
4815A	6"	6.63 - 6.90	4/28	\$ 48.20	4/28	\$ 48.20	4/27	\$ 48.20	4/27	\$ 56.63	4/27	\$ 56.63	4/25	\$ 56.63
4815A	8"	8.63 - 9.05	3/25	\$ 57.18	3/25	\$ 57.18	3/28	\$ 57.18	3/28	\$ 68.27	3/23	\$ 68.27	3/28	\$ 68.27
4815A	10"	10.75 - 11.10	3/32	\$ 63.51	3/32	\$ 63.51	3/31	\$ 63.51	3/31	\$ 77.59	3/31	\$ 77.59	3/31	\$ 77.59
4815A	12"	12.75 - 13.20	3/38	\$ 73.47	3/38	\$ 73.47	3/31	\$ 73.47	3/31	\$ 90.20	3/34	\$ 90.20	3/26	\$ 90.20

4816A

Single Steel Bale

			FNPT Tap											
Model	Nominal Size	Pipe O.D.	1/2"		3/4"		1"		1 1/4"		1 1/2"		2"	
			CTN/WT	Price	CTN/WT	Price	CTN/WT	Price	CTN/WT	Price	CTN/WT	Price	CTN/WT	Price
4816A	4"	4.50 - 4.80	4/26	\$ 41.61	4/26	\$ 41.61	4/29	\$ 41.61	4/29	\$ 52.17	4/25	\$ 52.17	4/24	\$ 52.17
4816A	6"	6.63 - 6.90	4/29	\$ 48.20	4/29	\$ 48.20	4/28	\$ 48.20	4/28	\$ 56.63	4/28	\$ 56.63	4/26	\$ 56.63
4816A	8"	8.63 - 9.05	3/29	\$ 57.18	3/29	\$ 57.18	3/28	\$ 57.18	3/28	\$ 68.27	3/28	\$ 68.27	3/25	\$ 68.27
4816A	10"	10.75 - 11.10	3/32	\$ 63.51	3/32	\$ 63.51	3/31	\$ 63.51	3/31	\$ 77.59	3/31	\$ 77.59	3/25	\$ 77.59
4816A	12"	12.75 - 13.20	3/30	\$ 73.47	3/30	\$ 73.47	3/34	\$ 73.47	3/34	\$ 90.20	3/34	\$ 90.20	3/31	\$ 90.20

4825A

Double Steel Bale

			AWWA Tap											
Model	Nominal Size	Pipe O.D.	1/2"		3/4"		1"		1 1/4"		1 1/2"		2"	
			CTN/WT	Price	CTN/WT	Price	CTN/WT	Price	CTN/WT	Price	CTN/WT	Price	CTN/WT	Price
4825A	4"	4.50 - 4.80	4/31	\$ 54.70	4/31	\$ 54.70	4/31	\$ 54.70	4/31	\$ 62.28	4/30	\$ 62.28	4/28	\$ 62.28
4825A	6"	6.63 - 6.90	4/35	\$ 62.98	4/35	\$ 62.98	4/34	\$ 62.98	4/34	\$ 71.87	4/32	\$ 71.87	4/33	\$ 71.87
4825A	8"	8.63 - 9.05	3/31	\$ 71.18	3/31	\$ 71.18	3/30	\$ 71.18	3/30	\$ 78.73	3/31	\$ 78.73	3/28	\$ 78.73
4825A	10"	10.75 - 11.10	3/33	\$ 93.72	3/33	\$ 93.72	3/38	\$ 93.72	3/38	\$ 107.02	3/31	\$ 107.02	3/30	\$ 107.02
4825A	12"	12.75 - 13.20	3/38	\$ 112.12	3/38	\$ 112.12	3/42	\$ 112.12	3/42	\$ 125.33	3/37	\$ 125.33	3/36	\$ 125.33

4826A

Double Steel Bale

			FNPT Tap											
Model	Nominal Size	Pipe O.D.	1/2"		3/4"		1"		1 1/4"		1 1/2"		2"	
			CTN/WT	Price	CTN/WT	Price	CTN/WT	Price	CTN/WT	Price	CTN/WT	Price	CTN/WT	Price
4826A	4"	4.50 - 4.80	4/33	\$ 54.70	4/33	\$ 54.70	4/31	\$ 54.70	4/31	\$ 62.28	4/31	\$ 62.28	4/31	\$ 62.28
4826A	6"	6.63 - 6.90	4/33	\$ 62.98	4/33	\$ 62.98	4/34	\$ 62.98	4/34	\$ 71.87	4/36	\$ 71.87	4/32	\$ 71.87
4826A	8"	8.63 - 9.05	3/32	\$ 71.18	3/32	\$ 71.18	3/30	\$ 71.18	3/30	\$ 78.73	3/32	\$ 78.73	3/30	\$ 78.73
4826A	10"	10.75 - 11.10	3/33	\$ 93.72	3/33	\$ 93.72	3/38	\$ 93.72	3/38	\$ 107.02	3/38	\$ 107.02	3/33	\$ 107.02
4826A	12"	12.75 - 13.20	3/39	\$ 112.12	3/39	\$ 112.12	3/41	\$ 112.12	3/41	\$ 125.33	3/42	\$ 125.33	3/36	\$ 125.33

Service Saddles & Repair Clamps

4835A, 4836A, 4845A, 4846A, 4855A, & 4856A

CAST IRON O.D., PVC PIPE (AWWA C900) STAINLESS STEEL BAND SADDLES WITH DUCTILE IRON TOP

A.Y. McDonald Ductile Iron Body Service Saddles have a wide range of specified models and are designed for use with cast or ductile iron, PVC and asbestos cement pipe. These saddles offer a trouble-free and efficient way of tapping a water main. They are recommended for use on underground water mains. The pressure capabilities equal, but do not exceed, the working pressure rating of the pipe, up to 200 PSIG. A.Y. McDonald Mfg. Co. recommends and supports the standard tapping practices and recommended material requirements for tapping PVC pipe outlined in the Uni-Bell Handbook of PVC Pipe and the AWWA Manual M23.

MATERIALS

- Body** - Ductile Iron
- Coating** - Fusion Epoxy
- Band** - Stainless Steel
- Nuts** - Xylan® coated 304 Stainless Steel
- Washer** - 304 Stainless Steel

NOTES

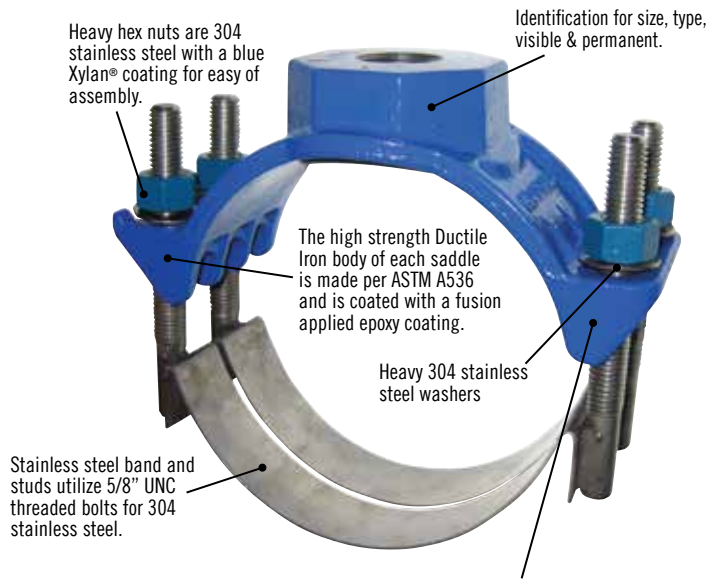
- Order Saddles by Model Number, Nominal Pipe Size and Tap Size (**Example: 4835A 8" x 1"**).
- All Saddles have Pipe O.D. size identification.
- All A.Y. McDonald Service Saddles meet A.W.W.A. standards.
- Use on cold water services only.

OPTIONS

- Contact factory for availability BSPT (British Standard Pipe Taper Thread) tapped saddles.
- Flat gasket - add "F" to end of model number
i.e. 4835A = 4835AF (price is the same as standard o-ring)
- 316 Stainless Steel Bands - add "-316" to end of model number
i.e. 4835A = 4835A-316 (contact factory for pricing)
- Viton O-rings - add "V" to end of model number
i.e. 4835A = 4835AV (see below for pricing)

Viton® O-ring adder "V"

3/4".....	\$ 10.68
1".....	\$ 10.68
1 1/2".....	\$ 15.44
2".....	\$ 15.44



One side of the saddle has closed lugs to allow for pre-assembly, the other side has tapered open lugs with nubs to assist and make installation easier.

Installation instructions are provided with each saddle. Please read and follow instructions to ensure long lasting performance.



Single Band
4835A AWWA Tap
4836A FNPT TAP



Single Wide-Band
4845A AWWA Tap
4846A FNPT TAP
3" Wide four bolt band



Double Band
4855A AWWA Tap
4856A FNPT TAP

Service Saddles

4835A, 4836A, 4845A, 4846A, 4855A, & 4856A

CAST IRON O.D., PVC PIPE (AWWA C900) STAINLESS STEEL
BAND SADDLES WITH DUCTILE IRON TOP

4835A

Single Stainless Steel Band

			AWWA Tap											
Model	Nominal Size	Pipe O.D.	1/2"		3/4"		1"		1 1/4"		1 1/2"		2"	
			CTN/WT	Price	CTN/WT	Price	CTN/WT	Price	CTN/WT	Price	CTN/WT	Price	CTN/WT	Price
4835A	4"	4.50 - 4.80	4/27	\$ 67.91	4/27	\$ 67.91	4/27	\$ 67.91	4/24	\$ 93.29	4/26	\$ 93.29	4/24	\$ 93.29
4835A	6"	6.63 - 6.90	4/31	\$ 72.70	4/31	\$ 72.70	4/31	\$ 72.70	4/36	\$ 89.39	4/27	\$ 89.39	4/28	\$ 89.39
4835A	8"	8.63 - 9.05	3/27	\$ 83.00	3/27	\$ 83.00	3/26	\$ 83.00	3/28	\$ 101.36	3/25	\$ 101.36	3/24	\$ 101.36
4835A	10"	10.75 - 11.10	3/26	\$ 95.18	3/26	\$ 95.18	3/27	\$ 95.18	3/31	\$ 123.36	3/25	\$ 123.36	3/23	\$ 123.36
4835A	12"	12.75 - 13.20	3/31	\$ 109.17	3/31	\$ 109.17	3/31	\$ 109.17	3/34	\$ 173.54	3/35	\$ 173.54	3/35	\$ 173.54

4836A

Single Stainless Steel Band

			FNPT Tap											
Model	Nominal Size	Pipe O.D.	1/2"		3/4"		1"		1 1/4"		1 1/2"		2"	
			CTN/WT	Price	CTN/WT	Price	CTN/WT	Price	CTN/WT	Price	CTN/WT	Price	CTN/WT	Price
4836A	4"	4.50 - 4.80	4/29	\$ 67.91	4/29	\$ 67.91	4/27	\$ 67.91	4/24	\$ 93.29	4/29	\$ 93.29	4/24	\$ 93.29
4836A	6"	6.63 - 6.90	4/29	\$ 72.70	4/29	\$ 72.70	4/28	\$ 72.70	4/36	\$ 89.39	4/28	\$ 89.39	4/27	\$ 89.39
4836A	8"	8.63 - 9.05	3/26	\$ 83.00	3/26	\$ 83.00	3/24	\$ 83.00	3/28	\$ 101.36	3/24	\$ 101.36	3/23	\$ 101.36
4836A	10"	10.75 - 11.10	3/32	\$ 95.18	3/32	\$ 95.18	3/26	\$ 95.18	3/31	\$ 123.36	3/31	\$ 123.36	3/31	\$ 123.36
4836A	12"	12.75 - 13.20	3/28	\$ 109.17	3/28	\$ 109.17	3/28	\$ 109.17	3/34	\$ 173.54	3/34	\$ 173.54	3/34	\$ 173.54

4845A

Wide Stainless Steel Band

			AWWA Tap											
Model	Nominal Size	Pipe O.D.	1/2"		3/4"		1"		1 1/4"		1 1/2"		2"	
			CTN/WT	Price	CTN/WT	Price	CTN/WT	Price	CTN/WT	Price	CTN/WT	Price	CTN/WT	Price
4845A	4"	4.50 - 4.80	4/33	\$ 106.57	4/33	\$ 106.57	4/33	\$ 106.57	4/32	\$ 112.78	4/31	\$ 112.78	4/29	\$ 112.78
4845A	6"	6.63 - 6.90	4/35	\$ 108.08	4/35	\$ 108.08	4/35	\$ 108.08	4/34	\$ 116.30	4/36	\$ 116.30	4/31	\$ 116.30
4845A	8"	8.63 - 9.05	3/31	\$ 130.51	3/31	\$ 130.51	3/31	\$ 130.51	3/29	\$ 139.33	3/28	\$ 139.33	3/28	\$ 139.33
4845A	10"	10.75 - 11.10	3/31	\$ 155.33	3/31	\$ 155.33	3/34	\$ 155.33	3/38	\$ 164.34	3/31	\$ 164.34	3/29	\$ 164.34
4845A	12"	12.75 - 13.20	3/36	\$ 177.40	3/36	\$ 177.40	3/37	\$ 177.40	3/33	\$ 181.55	3/33	\$ 181.55	3/31	\$ 181.55

4846A

Wide Stainless Steel Band

			FNPT Tap											
Model	Nominal Size	Pipe O.D.	1/2"		3/4"		1"		1 1/4"		1 1/2"		2"	
			CTN/WT	Price	CTN/WT	Price	CTN/WT	Price	CTN/WT	Price	CTN/WT	Price	CTN/WT	Price
4846A	4"	4.50 - 4.80	4/30	\$ 106.57	4/30	\$ 106.57	4/36	\$ 106.57	4/32	\$ 112.78	4/29	\$ 112.78	4/30	\$ 112.78
4846A	6"	6.63 - 6.90	4/35	\$ 108.08	4/35	\$ 108.08	4/37	\$ 108.08	4/36	\$ 116.30	4/36	\$ 116.30	4/35	\$ 116.30
4846A	8"	8.63 - 9.05	3/34	\$ 130.51	3/34	\$ 130.51	3/31	\$ 130.51	3/29	\$ 139.33	3/34	\$ 139.33	3/29	\$ 139.33
4846A	10"	10.75 - 11.10	3/32	\$ 155.33	3/32	\$ 155.33	3/30	\$ 155.33	3/38	\$ 164.34	3/31	\$ 164.34	3/30	\$ 164.34
4846A	12"	12.75 - 13.20	3/42	\$ 177.40	3/42	\$ 177.40	3/42	\$ 177.40	3/42	\$ 181.55	3/33	\$ 181.55	3/32	\$ 181.55

4855A

Double Stainless Steel Band

			AWWA Tap											
Model	Nominal Size	Pipe O.D.	1/2"		3/4"		1"		1 1/4"		1 1/2"		2"	
			CTN/WT	Price	CTN/WT	Price	CTN/WT	Price	CTN/WT	Price	CTN/WT	Price	CTN/WT	Price
4855A	4"	4.50 - 4.80	4/33	\$ 119.30	4/33	\$ 119.30	4/36	\$ 119.30	4/30	\$ 127.34	4/31	\$ 127.34	4/32	\$ 127.34
4855A	6"	6.63 - 6.90	4/37	\$ 121.33	4/37	\$ 121.33	4/37	\$ 121.33	4/35	\$ 130.94	4/39	\$ 130.94	4/33	\$ 130.94
4855A	8"	8.63 - 9.05	3/33	\$ 145.97	3/33	\$ 145.97	3/32	\$ 145.97	3/29	\$ 157.10	3/30	\$ 157.10	3/30	\$ 157.10
4855A	10"	10.75 - 11.10	3/35	\$ 175.39	3/35	\$ 175.39	3/32	\$ 175.39	3/38	\$ 185.71	3/31	\$ 185.71	3/21	\$ 185.71
4855A	12"	12.75 - 13.20	2/23	\$ 200.66	2/23	\$ 200.66	2/23	\$ 200.66	2/28	\$ 206.49	2/22	\$ 206.49	2/21	\$ 206.49

4856A

Double Stainless Steel Band

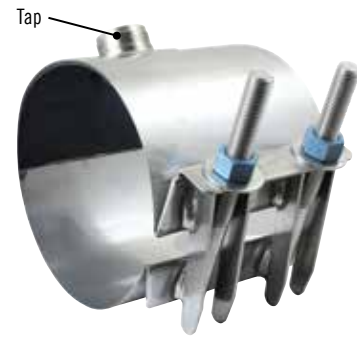
			FNPT Tap											
Model	Nominal Size	Pipe O.D.	1/2"		3/4"		1"		1 1/4"		1 1/2"		2"	
			CTN/WT	Price	CTN/WT	Price	CTN/WT	Price	CTN/WT	Price	CTN/WT	Price	CTN/WT	Price
4856A	4"	4.50 - 4.80	4/33	\$ 119.30	4/33	\$ 119.30	4/33	\$ 119.30	4/30	\$ 127.34	4/34	\$ 127.34	4/34	\$ 127.34
4856A	6"	6.63 - 6.90	4/36	\$ 121.33	4/36	\$ 121.33	4/36	\$ 121.33	4/42	\$ 130.94	4/36	\$ 130.94	4/34	\$ 130.94
4856A	8"	8.63 - 9.05	3/29	\$ 145.97	3/29	\$ 145.97	3/31	\$ 145.97	3/34	\$ 157.10	3/31	\$ 157.10	3/30	\$ 157.10
4856A	10"	10.75 - 11.10	3/38	\$ 175.39	3/38	\$ 175.39	3/32	\$ 175.39	3/38	\$ 185.71	3/31	\$ 185.71	3/30	\$ 185.71
4856A	12"	12.75 - 13.20	2/28	\$ 200.66	2/28	\$ 200.66	2/23	\$ 200.66	2/28	\$ 206.49	2/23	\$ 206.49	2/28	\$ 206.49

Service Saddles & Repair Clamps

8403 Series Service Saddles

STAINLESS STEEL SADDLES DOUBLE BOLT

Our Stainless Steel Series service saddles feature a fully welded bar, chemically passivated welds, anti-gall nuts, NBR Pad O-Ring gasket, and AWWA & FNPT taps. Multiple sizes are available including standard and custom diameter ranges.



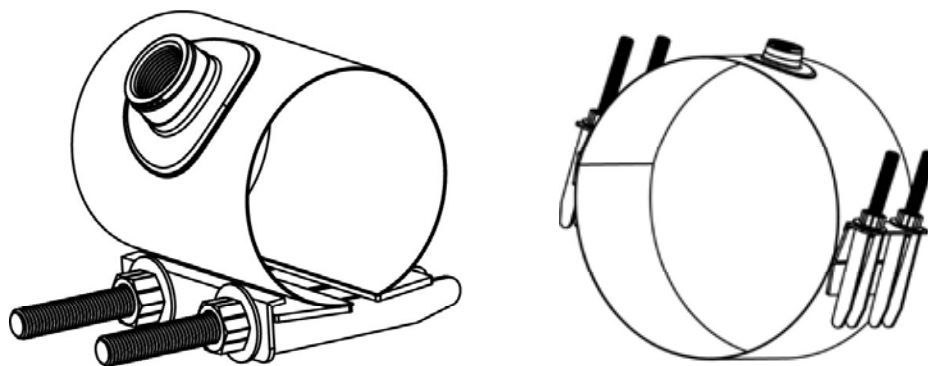
MATERIALS

- Band** - ASTM A240 Type 304 (18-8) Stainless Steel
- Lifter Plate** - ASTM A240 Type 304 (18-8) Stainless Steel
- Gasket** - Nitrile (NBR) Pad O-Ring Gasket meets ASTM D2000 & NSF 61
- Studs** - ASTM F593 Type 304 (18-8) Stainless Steel
- Nuts** - ASTM F594 Type 304 (18-8) Stainless Steel coated to prevent galling
- Washers** - ASME B18.22.1 Type 304 (18-8) Stainless Steel

NOTES

- Order Saddles by Model Number, for example 8403-0677-A3NPG
- All Saddles have Pipe O.D. range identification
- All A.Y. McDonald Saddles meet AWWA standards and are certified to NSF 61
- Rated for 250 PSI working pressure

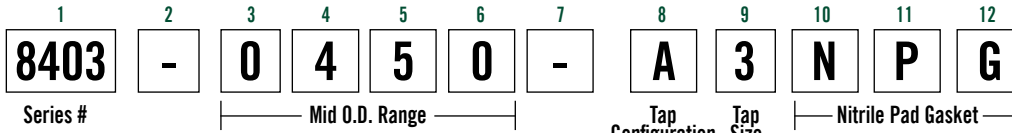
4" nominal size	A3/A4/F3/F4	20 Gauge	6" Wide
4" nominal size	A5/A6/A7/F5/F6/F7	20 Gauge	8" Wide
6" to 8" nominal size	A3/A4/F3/F4	20 Gauge	6" Wide
6" to 8" nominal size	A5/A6/A7/F5/F6/F7	18 Gauge	8" Wide
All 10" nominal size and larger	A3/A4/F3/F4	18 Gauge	6" Wide
All 10" nominal size and larger	A5/A6/A7/F5/F6/F7	18 Gauge	8" Wide



8403 Series Service Saddles

STAINLESS STEEL SADDLES DOUBLE BOLT

To order 8403 Series Model No. **8403-0450-A3NPG** means:



Product Example:
8403-0450-A3NPG (Nitrile Pad Gasket)
Standard NPG

4" nominal size	A3/A4/F3/F4	20 Gauge	6" Wide
4" nominal size	A5/A6/A7/F5/F6/F7	20 Gauge	8" Wide
6" to 8" nominal size	A3/A4/F3/F4	20 Gauge	6" Wide
6" to 8" nominal size	A5/A6/A7/F5/F6/F7	18 Gauge	8" Wide
All 10" nominal size and larger	A3/A4/F3/F4	18 Gauge	6" Wide
All 10" nominal size and larger	A5/A6/A7/F5/F6/F7	18 Gauge	8" Wide

Tap Configuration	Tap Size
A = AWWA	3 = 3/4"
F = FNPT	4 = 1"
	5 = 1 1/4"
	6 = 1 1/2"
	7 = 2"
4" to 12" - one piece design (2 bolts per)	
14" and larger - two piece design (4 bolts per)	

Nom. O.D.	O.D. Range	Pipe Material	Model #		Outlet A (AWWA) or F (FNPT)					
			Series #	Mid O.D. Range #	3/4" A3 or F3	1" A4 or F4	1 1/4" A5 or F5	1 1/2" A6 or F6	2" A7 or F7	Standard
4	4.30 - 4.70	IPS	8403-	0450-	\$ 77.04	\$ 77.04	\$ 152.94	\$ 152.94	\$ 152.94	NPG
4	4.45 - 4.85		8403-	0465-	\$ 77.04	\$ 77.04	\$ 152.94	\$ 152.94	\$ 152.94	NPG
4	4.60 - 5.00	C900, DIP, Cast A - D	8403-	0480-	\$ 77.04	\$ 77.04	\$ 152.94	\$ 152.94	\$ 152.94	NPG
6	6.43 - 6.83	IPS	8403-	0663-	\$ 110.23	\$ 110.23	\$ 157.40	\$ 157.40	\$ 157.40	NPG
6	6.54 - 7.00		8403-	0677-	\$ 110.23	\$ 110.23	\$ 157.40	\$ 157.40	\$ 157.40	NPG
6	6.70 - 7.10	C900, DIP, Cast A - D	8403-	0690-	\$ 110.23	\$ 110.23	\$ 157.40	\$ 157.40	\$ 157.40	NPG
8	8.43 - 8.83	IPS	8403-	0863-	\$ 111.82	\$ 111.82	\$ 162.84	\$ 162.84	\$ 162.84	NPG
8	8.63 - 9.08		8403-	0886-	\$ 111.82	\$ 111.82	\$ 162.84	\$ 162.84	\$ 162.84	NPG
8	8.85 - 9.25	C900, DIP, Cast A - B	8403-	0905-	\$ 111.82	\$ 111.82	\$ 162.84	\$ 162.84	\$ 162.84	NPG
10	10.55 - 10.95	IPS	8403-	1075-	\$ 136.28	\$ 136.28	\$ 172.90	\$ 172.90	\$ 172.90	NPG
10	10.70 - 11.16		8403-	1093-	\$ 136.28	\$ 136.28	\$ 172.90	\$ 172.90	\$ 172.90	NPG
10	10.90 - 11.30	C900, DIP, Cast A - B	8403-	1110-	\$ 136.28	\$ 136.28	\$ 172.90	\$ 172.90	\$ 172.90	NPG
12	12.55 - 12.95	IPS	8403-	1275-	\$ 139.38	\$ 139.38	\$ 181.98	\$ 181.98	\$ 181.98	NPG
12	12.74 - 13.21		8403-	1298-	\$ 139.38	\$ 139.38	\$ 181.98	\$ 181.98	\$ 181.98	NPG
12	13.00 - 13.40	C900, DIP, Cast A - B	8403-	1320-	\$ 139.38	\$ 139.38	\$ 181.98	\$ 181.98	\$ 181.98	NPG
14	13.60 - 14.40	IPS	8403-	1400-	\$ 247.83	\$ 247.83	\$ 258.23	\$ 258.23	\$ 258.23	NPG
14	14.00 - 14.47		8403-	1424-	\$ 247.83	\$ 247.83	\$ 258.23	\$ 258.23	\$ 258.23	NPG
14	14.90 - 15.70	C900/C905, DIP, Cast A - D	8403-	1530-	\$ 247.83	\$ 247.83	\$ 258.23	\$ 258.23	\$ 258.23	NPG
14	15.18 - 15.65		8403-	1542-	\$ 247.83	\$ 247.83	\$ 258.23	\$ 258.23	\$ 258.23	NPG
16	15.60 - 16.40	IPS	8403-	1600-	\$ 260.76	\$ 260.76	\$ 269.34	\$ 269.34	\$ 269.34	NPG
16	16.39 - 16.86		8403-	1663-	\$ 260.76	\$ 260.76	\$ 269.34	\$ 269.34	\$ 269.34	NPG
16	17.00 - 17.80	C900/C905, DIP, Cast A - D	8403-	1740-	\$ 260.76	\$ 260.76	\$ 269.34	\$ 269.34	\$ 269.34	NPG
16	17.28 - 17.75		8403-	1752-	\$ 260.76	\$ 260.76	\$ 269.34	\$ 269.34	\$ 269.34	NPG
18	17.60 - 18.40	IPS	8403-	1800-	\$ 267.03	\$ 267.03	\$ 279.90	\$ 279.90	\$ 279.90	NPG
18	18.64 - 19.11		8403-	1891-	\$ 267.03	\$ 267.03	\$ 279.90	\$ 279.90	\$ 279.90	NPG
18	19.10 - 19.90	C900/C905, DIP, Cast A - B	8403-	1950-	\$ 267.03	\$ 267.03	\$ 279.90	\$ 279.90	\$ 279.90	NPG
20	19.60 - 20.40	IPS	8403-	2000-	\$ 294.71	\$ 294.71	\$ 302.41	\$ 302.41	\$ 302.41	NPG
20	21.20 - 22.00	C900/C905, DIP, Cast A - B	8403-	2160-	\$ 294.71	\$ 294.71	\$ 302.41	\$ 302.41	\$ 302.41	NPG
24	23.60 - 24.40	IPS	8403-	2400-	\$ 306.02	\$ 306.02	\$ 331.28	\$ 331.28	\$ 331.28	NPG
24	25.40 - 26.20	C900/C905, DIP, Cast A - B	8403-	2580-	\$ 306.02	\$ 306.02	\$ 331.28	\$ 331.28	\$ 331.28	NPG
30	29.20 - 30.80	IPS	8403-	3000-	\$ 373.62	\$ 373.62	\$ 402.17	\$ 402.17	\$ 402.17	NPG
30	31.45 - 33.05	C900/C905, DIP, Cast A - D	8403-	3225-	\$ 373.62	\$ 373.62	\$ 402.17	\$ 402.17	\$ 402.17	NPG
36	35.20 - 36.80	IPS	8403-	3600-	\$ 473.24	\$ 473.24	\$ 501.80	\$ 501.80	\$ 501.80	NPG
36	37.80 - 39.40	C900/C905, DIP, Cast A - D	8403-	3860-	\$ 473.24	\$ 473.24	\$ 501.80	\$ 501.80	\$ 501.80	NPG

See page 122 for O.D. Chart

Different sizes and configurations available, please call for details



8403BW Belleville Washer Kit (for HDPE pipe) - \$ 20.25
Kit includes 8 washers, enough for 4 studs (2 per stud)
Washers should be positioned with the concave sides facing each other.

8403BW

Service Saddles & Repair Clamps

Repair Clamps

Our Stainless Steel repair clamps feature a fully welded bar, chemically passivated welds, roll plate, anti-gall nuts, NBR taper grid pattern gasket, optional AWWA or FNPT outlets, and optional conductivity patch. Multiple lengths and sizes are available including standard, custom, and O.D. specific diameter ranges.

MATERIALS

Band and Armor Plate - ASTM A240 Type 304 (18-8) Stainless Steel

TECK™ Fingers / Lifter Plate: - ASTM A240 Type 304 (18-8) Stainless Steel

Gasket - Nitrile (NBR) Taper Grid Gasket meets ASTM D2000 & NSF 61

Studs - ASTM F593 Type 304 (18-8) Stainless Steel

Nuts - ASTM F594 Type 304 (18-8) Stainless Steel coated to prevent galling

Washers - ASME B18.22.1 Type 304 (18-8) Stainless Steel

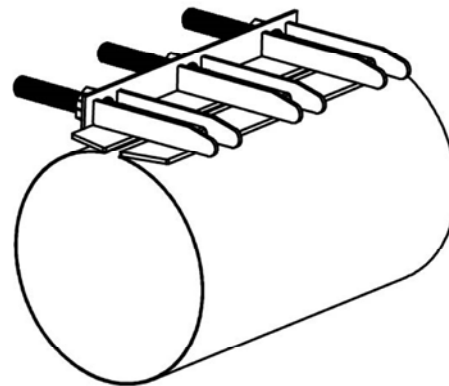
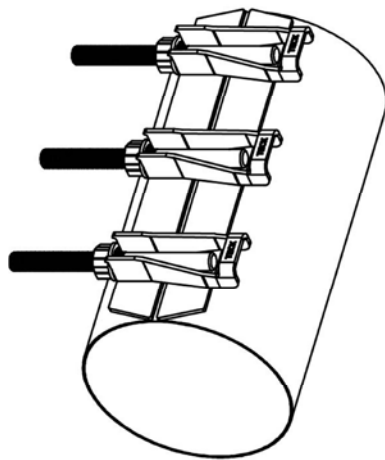
NOTES

- Order Clamps by Model Number, for example 425-0705-12TLP
- All Clamps have Pipe O.D. size identification
- All A.Y. McDonald Clamps meet AWWA standards and are certified to NSF 61
- Rated for 150 PSI working pressure

TECK™ (T) Fastening



Lifter Plate (TLP)



425 Series ONE SECTION

Product Example:
425-0705-08TLP
6" x 8"

Lifter Plate
(TLP)

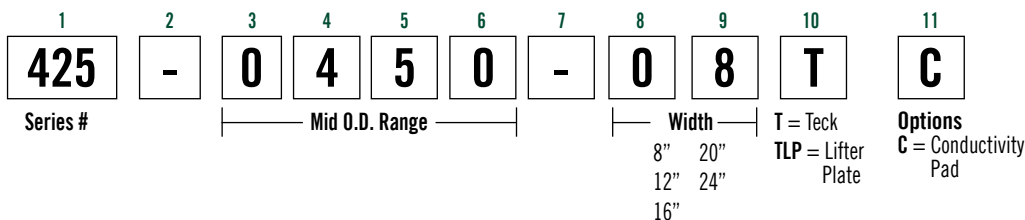


Product Example:
425-0705-12T
6" x 12" Taper Gasket
TECK™ Fastening

TECK™
(T)



To order 425 Series Model No. **425-0450-08T** means:



Options		
TLP	Taper Gasket & Lifter Plate Fastening System (Standard)	Deduct \$ 5.00
T	Taper Gasket & Teck™ Fastening System	List Price Above
C	Conductivity Pad	\$ 4.00 Adder



8403BW

8403BW Belleville Washer Kit (for HDPE pipe) - \$ 20.25
Kit includes 8 washers, enough for 4 studs (2 per stud)
Washers should be positioned with the concave sides
facing each other.

Nom. O.D.	O.D. Range	Pipe Material	Model #		Width					Standard
			Series #	Mid O.D. Range #	8" (2 bolt) Add -08	12" (3 bolt) Add -12	16" (4 bolt) Add -16	20" (5 bolt) Add -20	24" (6 bolt) Add -24	
4	4.30 - 4.70	IPS	425-	0450-	\$ 106.65	\$ 167.70	\$ 181.98	\$ 292.30	\$ 371.19	T
4	4.40 - 4.80		425-	0460-	\$ 106.65	\$ 167.70	\$ 181.98	\$ 292.30	\$ 371.19	T
4	4.60 - 5.00	C900/DIP/Cast A	425-	0480-	\$ 106.65	\$ 167.70	\$ 181.98	\$ 292.30	\$ 371.19	T
4	4.75 - 5.15		425-	0495-	\$ 106.65	\$ 167.70	\$ 181.98	\$ 292.30	\$ 371.19	T
4	4.80 - 5.20	Cast B, C, D	425-	0500-	\$ 106.65	\$ 167.70	\$ 181.98	\$ 292.30	\$ 371.19	T
4	5.00 - 5.40		425-	0520-	\$ 106.65	\$ 167.70	\$ 181.98	\$ 292.30	\$ 371.19	T
6	6.00 - 6.40		425-	0620-	\$ 127.33	\$ 200.58	\$ 221.30	\$ 361.22	\$ 434.18	T
6	6.40 - 6.80		425-	0660-	\$ 127.33	\$ 200.58	\$ 221.30	\$ 361.22	\$ 434.18	T
6	6.43 - 6.83	IPS	425-	0663-	\$ 127.33	\$ 200.58	\$ 221.30	\$ 361.22	\$ 434.18	T
6	6.55 - 6.95		425-	0675-	\$ 127.33	\$ 200.58	\$ 221.30	\$ 361.22	\$ 434.18	T
6	6.70 - 7.10	C900/DIP/Cast A	425-	0690-	\$ 127.33	\$ 200.58	\$ 221.30	\$ 361.22	\$ 434.18	T
6	6.80 - 7.20		425-	0700-	\$ 127.33	\$ 200.58	\$ 221.30	\$ 361.22	\$ 434.18	T
6	6.85 - 7.25		425-	0705-	\$ 127.33	\$ 200.58	\$ 221.30	\$ 361.22	\$ 434.18	T
6	6.90 - 7.30	Cast B, C, D	425-	0710-	\$ 127.33	\$ 200.58	\$ 221.30	\$ 361.22	\$ 434.18	T
6	7.10 - 7.50		425-	0730-	\$ 127.33	\$ 200.58	\$ 221.30	\$ 361.22	\$ 434.18	T
6	7.30 - 7.70		425-	0750-	\$ 127.33	\$ 200.58	\$ 221.30	\$ 361.22	\$ 434.18	T

See page 122 for O.D. Chart

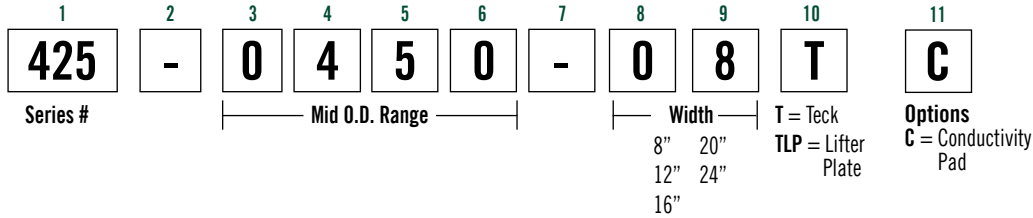
Different sizes and configurations available, please call for details. NBR grid gasket certified to Standard NSF 61.

For other widths contact factory

425 Series

ONE SECTION

To order 425 Series Model No. **425-0450-08T** means:



Options		
TLP	Taper Gasket & Lifter Plate Fastening System (Standard)	Deduct \$ 5.00
T	Taper Gasket & Teck™ Fastening System	List Price Above
C	Conductivity Pad	\$ 4.00 Adder



8403BW

8403BW Belleville Washer Kit (for HDPE pipe) - \$ 20.25
Kit includes 8 washers, enough for 4 studs (2 per stud)
Washers should be positioned with the concave sides facing each other.

Nom. O.D.	O.D. Range	Pipe Material	Model #		Width					Standard
			Series #	Mid O.D. Range #	8" (2 bolt) Add -08	12" (3 bolt) Add -12	16" (4 bolt) Add -16	20" (5 bolt) Add -20	24" (6 bolt) Add -24	
8	8.00 - 8.40		425-	0820-	\$ 148.45	\$ 334.98	\$ 267.89	\$ 389.87	\$ 485.89	T
8	8.40 - 8.80		425-	0860-	\$ 148.45	\$ 334.98	\$ 267.89	\$ 389.87	\$ 485.89	T
8	8.43 - 8.83	IPS	425-	0863-	\$ 148.45	\$ 334.98	\$ 267.89	\$ 389.87	\$ 485.89	T
8	8.65 - 9.05		425-	0885-	\$ 148.45	\$ 334.98	\$ 267.89	\$ 389.87	\$ 485.89	T
8	8.85 - 9.25	C900/DIP/Cast A, B	425-	0905-	\$ 148.45	\$ 334.98	\$ 267.89	\$ 389.87	\$ 485.89	T
8	8.98 - 9.38		425-	0918-	\$ 148.45	\$ 334.98	\$ 267.89	\$ 389.87	\$ 485.89	T
8	9.10 - 9.50	Cast C - D	425-	0930-	\$ 148.45	\$ 334.98	\$ 267.89	\$ 389.87	\$ 485.89	T
8	9.30 - 9.70		425-	0950-	\$ 148.45	\$ 334.98	\$ 267.89	\$ 389.87	\$ 485.89	T
10	10.10 - 10.50		425-	1030 -	\$ 202.60	\$ 315.21	\$ 361.95	\$ 481.67	\$ 709.43	T
10	10.50 - 10.90		425-	1070 -	\$ 202.60	\$ 315.21	\$ 361.95	\$ 481.67	\$ 709.43	T
10	10.55 - 10.95	IPS	425-	1075 -	\$ 202.60	\$ 315.21	\$ 361.95	\$ 481.67	\$ 709.43	T
10	10.75 - 11.15		425-	1095 -	\$ 202.60	\$ 315.21	\$ 361.95	\$ 481.67	\$ 709.43	T
10	10.90 - 11.30	C900, DIP, Cast A, B	425-	1110 -	\$ 202.60	\$ 315.21	\$ 361.95	\$ 481.67	\$ 709.43	T
10	11.05 - 11.45		425-	1125 -	\$ 202.60	\$ 315.21	\$ 361.95	\$ 481.67	\$ 709.43	T
10	11.20 - 11.60	Cast C, D	425-	1140 -	\$ 202.60	\$ 315.21	\$ 361.95	\$ 481.67	\$ 709.43	T
10	11.60 - 12.00		425-	1180 -	\$ 202.60	\$ 315.21	\$ 361.95	\$ 481.67	\$ 709.43	T
10	11.85 - 12.25		425-	1205 -	\$ 202.60	\$ 315.21	\$ 361.95	\$ 481.67	\$ 709.43	T
12	12.10 - 12.50		425-	1230 -	\$ 229.62	\$ 364.27	\$ 411.14	\$ 570.98	\$ 783.72	T
12	12.50 - 12.90		425-	1270 -	\$ 229.62	\$ 364.27	\$ 411.14	\$ 570.98	\$ 783.72	T
12	12.55 - 12.95	IPS	425-	1275 -	\$ 229.62	\$ 364.27	\$ 411.14	\$ 570.98	\$ 783.72	T
12	13.00 - 13.40	C900/DIP/ Cast A, B	425-	1320 -	\$ 229.62	\$ 364.27	\$ 411.14	\$ 570.98	\$ 783.72	T
12	13.15 - 13.55		425-	1335 -	\$ 229.62	\$ 364.27	\$ 411.14	\$ 570.98	\$ 783.72	T
12	13.10 - 13.70	Cast C, D	425-	1350 -	\$ 229.62	\$ 364.27	\$ 411.14	\$ 570.98	\$ 783.72	T
12	13.40 - 13.80		425-	1360 -	\$ 229.62	\$ 364.27	\$ 411.14	\$ 570.98	\$ 783.72	T
12	13.80 - 14.20		425-	1400 -	\$ 229.62	\$ 364.27	\$ 411.14	\$ 570.98	\$ 783.72	T
12	14.00 - 14.40		425-	1420 -	\$ 229.62	\$ 364.27	\$ 411.14	\$ 570.98	\$ 783.72	T

See page 122 for O.D. Chart

Different sizes and configurations available, please call for details. NBR grid gasket certified to Standard NSF 61.

For other widths contact factory

435 Series

ONE SECTION WITH TAPPED OUTLET

Product Example:
435-0705-12-A3T
6" x 12" x 3/4"
AWWA CC Taper Gasket
TECK™



Lifter Plate (TLP)

To order 435 Series Model No. **435-0450-08-A3T** means:

1	2	3	4	5	6	7	8	9	10	11	12	13
435	-	0	4	5	0	-	08	-	A	3	T	C
Series #		Mid O.D. Range					Width		Tap Configuration	Tap Size	T = Teck TLP = Lifter Plate	Options C = Conductivity Pad
							08 = 8" 12 = 12" 16 = 16" 20 = 20" 24 = 24"		A = AWWA F = FNPT	3 = 3/4" 4 = 1" 5 = 1 1/4" 6 = 1 1/2" 7 = 2"		

Options		
TLP	Taper Gasket & Lifter Plate Fastening System (Standard)	Deduct \$ 5.00
T	Taper Gasket & Teck™ Fastening System	List Price Above
C	Conductivity Pad	\$ 4.00 Adder

Tap - Adders		
Type	Outlet	
F = FNPT	A = AWWA	Size:
\$ 56.58	\$ 56.58	3 = 3/4"
\$ 56.58	\$ 56.58	4 = 1"
\$ 73.04	\$ 73.04	5 = 1 1/4"
\$ 73.04	\$ 73.04	6 = 1 1/2"
\$ 81.09	\$ 90.60	7 = 2"



8403BW

8403BW Belleville Washer Kit (for HDPE pipe) - \$ 20.25
Kit includes 8 washers, enough for 4 studs (2 per stud)
Washers should be positioned with the concave sides facing each other.

Nom. O.D.	O.D. Range	Pipe Material	Model #		Width					Standard
			Series #	Mid O.D. Range #	8" (2 bolt) Add -08	12" (3 bolt) Add -12	16" (4 bolt) Add -16	20" (5 bolt) Add -20	24" (6 bolt) Add -24	
4	4.30 - 4.70	IPS	435-	0450-	\$ 106.65	\$ 167.70	\$ 181.98	\$ 292.30	\$ 371.19	T
4	4.40 - 4.80		435-	0460-	\$ 106.65	\$ 167.70	\$ 181.98	\$ 292.30	\$ 371.19	T
4	4.60 - 5.00	C900/DIP/Cast A	435-	0480-	\$ 106.65	\$ 167.70	\$ 181.98	\$ 292.30	\$ 371.19	T
4	4.75 - 5.15		435-	0495-	\$ 106.65	\$ 167.70	\$ 181.98	\$ 292.30	\$ 371.19	T
4	4.80 - 5.20		435-	0500-	\$ 106.65	\$ 167.70	\$ 181.98	\$ 292.30	\$ 371.19	T
4	5.00 - 5.40	Cast B, C, D	435-	0520-	\$ 106.65	\$ 167.70	\$ 181.98	\$ 292.30	\$ 371.19	T
6	6.00 - 6.40		435-	0620-	\$ 127.33	\$ 200.58	\$ 221.30	\$ 361.22	\$ 434.18	T
6	6.40 - 6.80		435-	0660-	\$ 127.33	\$ 200.58	\$ 221.30	\$ 361.22	\$ 434.18	T
6	6.43 - 6.83	IPS	435-	0663-	\$ 127.33	\$ 200.58	\$ 221.30	\$ 361.22	\$ 434.18	T
6	6.55 - 6.95		435-	0675-	\$ 127.33	\$ 200.58	\$ 221.30	\$ 361.22	\$ 434.18	T
6	6.70 - 7.10	C900/DIP/Cast A	435-	0690-	\$ 127.33	\$ 200.58	\$ 221.30	\$ 361.22	\$ 434.18	T
6	6.80 - 7.20		435-	0700-	\$ 127.33	\$ 200.58	\$ 221.30	\$ 361.22	\$ 434.18	T
6	6.85 - 7.25		435-	0705-	\$ 127.33	\$ 200.58	\$ 221.30	\$ 361.22	\$ 434.18	T
6	6.90 - 7.30		435-	0710-	\$ 127.33	\$ 200.58	\$ 221.30	\$ 361.22	\$ 434.18	T
6	7.10 - 7.50	Cast B, C, D	435-	0730-	\$ 127.33	\$ 200.58	\$ 221.30	\$ 361.22	\$ 434.18	T
6	7.30 - 7.70		435-	0750-	\$ 127.33	\$ 200.58	\$ 221.30	\$ 361.22	\$ 434.18	T

See page 122 for O.D. Chart

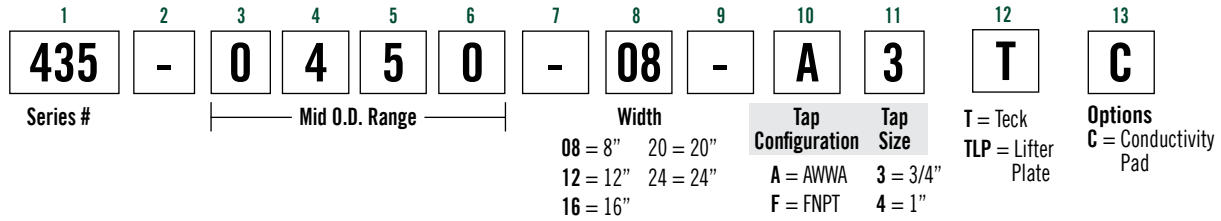
Different sizes and configurations available, please call for details. NBR grid gasket certified to Standard NSF 61.

For other widths contact factory

435 Series

ONE SECTION WITH TAPPED OUTLET

To order 435 Series Model No. **435-0450-08-A3T** means:



Options	
TLP	Taper Gasket & Lifter Plate Fastening System (Standard) Deduct \$ 5.00
T	Taper Gasket & Teck™ Fastening System List Price Above
C	Conductivity Pad \$ 4.00 Adder

Tap - Adders		
Type	A = AWWA	Outlet Size:
F = FNPT	\$ 56.58	3 = 3/4"
	\$ 56.58	4 = 1"
	\$ 73.04	5 = 1 1/4"
	\$ 73.04	6 = 1 1/2"
	\$ 81.09	7 = 2"



8403BW Belleville Washer Kit (for HDPE pipe) - \$ 20.25
Kit includes 8 washers, enough for 4 studs (2 per stud)
Washers should be positioned with the concave sides facing each other.

8403BW

Nom. O.D.	O.D. Range	Pipe Material	Model #		Width					Standard
			Series #	Mid O.D. Range #	8" (2 bolt) Add -08	12" (3 bolt) Add -12	16" (4 bolt) Add -16	20" (5 bolt) Add -20	24" (6 bolt) Add -24	
8	8.00 - 8.40		435-	0820-	\$ 148.45	\$ 334.98	\$ 267.89	\$ 389.87	\$ 485.89	T
8	8.40 - 8.80		435-	0860-	\$ 148.45	\$ 334.98	\$ 267.89	\$ 389.87	\$ 485.89	T
8	8.43 - 8.83	IPS	435-	0863-	\$ 148.45	\$ 334.98	\$ 267.89	\$ 389.87	\$ 485.89	T
8	8.65 - 9.05		435-	0885-	\$ 148.45	\$ 334.98	\$ 267.89	\$ 389.87	\$ 485.89	T
8	8.85 - 9.25	C900/DIP/Cast A, B	435-	0905-	\$ 148.45	\$ 334.98	\$ 267.89	\$ 389.87	\$ 485.89	T
8	8.98 - 9.38		435-	0918-	\$ 148.45	\$ 334.98	\$ 267.89	\$ 389.87	\$ 485.89	T
8	9.10 - 9.50	Cast C, D	435-	0930-	\$ 148.45	\$ 334.98	\$ 267.89	\$ 389.87	\$ 485.89	T
8	9.30 - 9.70		435-	0950-	\$ 148.45	\$ 334.98	\$ 267.89	\$ 389.87	\$ 485.89	T
10	10.10 - 10.50		435-	1030-	\$ 202.60	\$ 315.21	\$ 361.95	\$ 481.67	\$ 709.43	T
10	10.50 - 10.90		435-	1070-	\$ 202.60	\$ 315.21	\$ 361.95	\$ 481.67	\$ 709.43	T
10	10.55 - 10.95	IPS	435-	1075-	\$ 202.60	\$ 315.21	\$ 361.95	\$ 481.67	\$ 709.43	T
10	10.75 - 11.15		435-	1095-	\$ 202.60	\$ 315.21	\$ 361.95	\$ 481.67	\$ 709.43	T
10	10.90 - 11.30	C900/DIP/Cast A, B	435-	1110-	\$ 202.60	\$ 315.21	\$ 361.95	\$ 481.67	\$ 709.43	T
10	11.05 - 11.45		435-	1125-	\$ 202.60	\$ 315.21	\$ 361.95	\$ 481.67	\$ 709.43	T
10	11.20 - 11.60	Cast C, D	435-	1140-	\$ 202.60	\$ 315.21	\$ 361.95	\$ 481.67	\$ 709.43	T
10	11.60 - 12.00		435-	1180-	\$ 202.60	\$ 315.21	\$ 361.95	\$ 481.67	\$ 709.43	T
10	11.85 - 12.25		435-	1205-	\$ 202.60	\$ 315.21	\$ 361.95	\$ 481.67	\$ 709.43	T
12	12.10 - 12.50		435-	1230-	\$ 229.62	\$ 364.27	\$ 411.14	\$ 570.98	\$ 783.72	T
12	12.50 - 12.90		435-	1270-	\$ 229.62	\$ 364.27	\$ 411.14	\$ 570.98	\$ 783.72	T
12	12.55 - 12.95	IPS	435-	1275-	\$ 229.62	\$ 364.27	\$ 411.14	\$ 570.98	\$ 783.72	T
12	13.00 - 13.40	C900/DIP/Cast A, B	435-	1320-	\$ 229.62	\$ 364.27	\$ 411.14	\$ 570.98	\$ 783.72	T
12	13.15 - 13.55		435-	1335-	\$ 229.62	\$ 364.27	\$ 411.14	\$ 570.98	\$ 783.72	T
12	13.30 - 13.70	Cast C, D	435-	1350-	\$ 229.62	\$ 364.27	\$ 411.14	\$ 570.98	\$ 783.72	T
12	13.40 - 13.80		435-	1360-	\$ 229.62	\$ 364.27	\$ 411.14	\$ 570.98	\$ 783.72	T
12	13.80 - 14.20		435-	1400-	\$ 229.62	\$ 364.27	\$ 411.14	\$ 570.98	\$ 783.72	T
12	14.00 - 14.40		435-	1420-	\$ 229.62	\$ 364.27	\$ 411.14	\$ 570.98	\$ 783.72	T

See page 122 for O.D. Chart

Different sizes and configurations available, please call for details. NBR grid gasket certified to Standard NSF 61.

For other widths contact factory

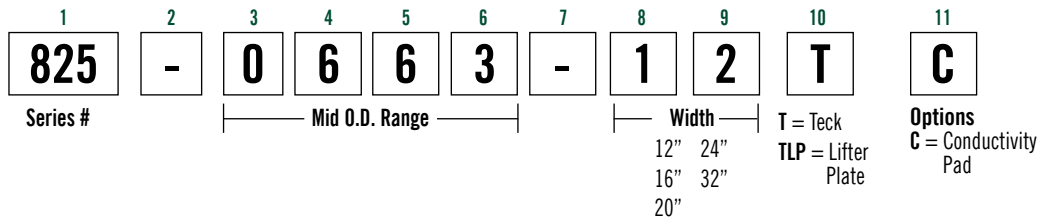
825 Series TWO SECTIONS

Product Example:
825-1760-20T
16" x 20" Taper Gasket
TECK™



Lifter Plate (TLP)

To order 825 Series Model No. **825-0663-12T** means:



Options		
TLP	Taper Gasket & Lifter Plate Fastening System (Standard)	Deduct \$ 5.00
T	Taper Gasket & Teck™ Fastening System	List Price Above
C	Conductivity Pad	\$ 4.00 Adder



8403BW

8403BW Belleville Washer Kit (for HDPE pipe) - \$ 20.25
Kit includes 8 washers, enough for 4 studs (2 per stud)
Washers should be positioned with the concave sides facing each other.

Nom. O.D.	O.D. Range	Pipe Material	Model #		Width					Standard
			Series #	Mid O.D. Range #	12" (3 bolt) Add -12	16" (4 bolt) Add -16	20" (5 bolt) Add -20	24" (6 bolt) Add -24	32" (8 bolt) Add -32	
6	6.23 - 7.03	IPS	825-	0663-	\$ 273.10	\$ 339.85	\$ 466.27	\$ 622.03	\$ 726.60	T
6	6.50 - 7.30	C900/DIP/Cast A	825-	0690-	\$ 273.10	\$ 339.85	\$ 466.27	\$ 622.03	\$ 726.60	T
6	6.60 - 7.40		825-	0700-	\$ 273.10	\$ 339.85	\$ 466.27	\$ 622.03	\$ 726.60	T
6	6.70 - 7.50	Cast B, C, D	825-	0710-	\$ 273.10	\$ 339.85	\$ 466.27	\$ 622.03	\$ 726.60	T
8	8.23 - 9.03	IPS	825-	0863-	\$ 303.39	\$ 387.28	\$ 528.50	\$ 709.76	\$ 815.52	T
8	8.60 - 9.40		825-	0900-	\$ 303.39	\$ 387.28	\$ 528.50	\$ 709.76	\$ 815.52	T
8	8.60 - 9.45	C900/DIP/Cast A, B	825-	0905-	\$ 303.39	\$ 387.28	\$ 528.50	\$ 709.76	\$ 815.52	T
8	8.90 - 9.70	Cast C, D	825-	0930-	\$ 303.39	\$ 387.28	\$ 528.50	\$ 709.76	\$ 815.52	T
10	10.35 - 11.15	IPS	825-	1075-	\$ 472.16	\$ 486.94	\$ 649.60	\$ 873.38	\$ 1,010.29	T
10	10.70 - 11.50	C900/DIP/Cast A, B	825-	1110-	\$ 472.16	\$ 486.94	\$ 649.60	\$ 873.38	\$ 1,010.29	T
10	11.00 - 11.80	Cast C - D	825-	1140-	\$ 472.16	\$ 486.94	\$ 649.60	\$ 873.38	\$ 1,010.29	T
12	12.35 - 13.15	IPS	825-	1275-	\$ 535.41	\$ 549.81	\$ 749.69	\$ 968.80	\$ 1,155.03	T
12	12.72 - 13.52		825-	1312-	\$ 535.41	\$ 549.81	\$ 749.69	\$ 968.80	\$ 1,155.03	T
12	12.80 - 13.60	C900/DIP/Cast A, B	825-	1320-	\$ 535.41	\$ 549.81	\$ 749.69	\$ 968.80	\$ 1,155.03	T
12	13.10 - 13.90	Cast C, D	825-	1350-	\$ 535.41	\$ 549.81	\$ 749.69	\$ 968.80	\$ 1,155.03	T
14	13.60 - 14.40	IPS	825-	1400-	\$ 604.56	\$ 660.95	\$ 846.64	\$ 1,094.47	\$ 1,307.60	T
14	14.90 - 15.70	C900/C905/DIP/Cast A, B	825-	1530-	\$ 604.56	\$ 660.95	\$ 846.64	\$ 1,094.47	\$ 1,307.60	T
14	15.00 - 15.80		825-	1540-	\$ 604.56	\$ 660.95	\$ 846.64	\$ 1,094.47	\$ 1,307.60	T
14	15.25 - 16.05	Cast C, D	825-	1565-	\$ 604.56	\$ 660.95	\$ 846.64	\$ 1,094.47	\$ 1,307.60	T

See page 122 for O.D. Chart

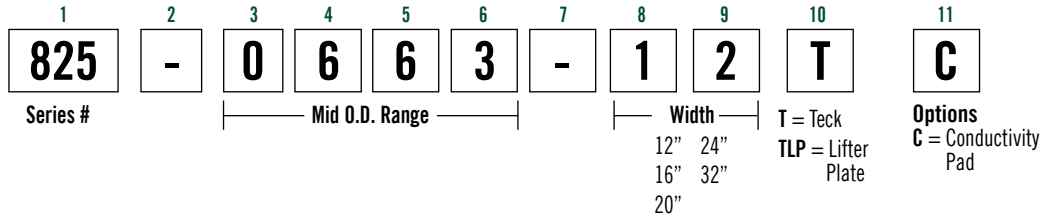
Different sizes and configurations available, please call for details. NBR grid gasket certified to Standard NSF 61.

For other widths contact factory

825 Series

TWO SECTIONS

To order 825 Series Model No. **825-0663-12T** means:



Options		
TLP	Taper Gasket & Lifter Plate Fastening System (Standard)	Deduct \$ 5.00
T	Taper Gasket & Teck™ Fastening System	List Price Above
C	Conductivity Pad	\$ 4.00 Adder



8403BW

8403BW Belleville Washer Kit (for HDPE pipe) - \$ 20.25
Kit includes 8 washers, enough for 4 studs (2 per stud)
Washers should be positioned with the concave sides facing each other.

Nom. O.D.	O.D. Range	Pipe Material	Model #		Width					Standard
			Series #	Mid O.D. Range #	12" (3 bolt) Add -12	16" (4 bolt) Add -16	20" (5 bolt) Add -200	24" (6 bolt) Add -24	32" (8 bolt) Add -32	
16	15.60 - 16.40	IPS	825-	1600-	\$ 651.26	\$ 723.83	\$ 941.89	\$ 1,219.30	\$ 1,499.44	T
16	17.00 - 17.80	C900/C905/DIP/Cast A, B	825-	1740-	\$ 651.26	\$ 723.83	\$ 941.89	\$ 1,219.30	\$ 1,499.44	T
16	17.20 - 18.00		825-	1760-	\$ 651.26	\$ 723.83	\$ 941.89	\$ 1,219.30	\$ 1,499.44	T
16	17.40 - 18.20	Cast C, D	825-	1780-	\$ 651.26	\$ 723.83	\$ 941.89	\$ 1,219.30	\$ 1,499.44	T
18	17.60 - 18.40	IPS	825-	1800-	\$ 773.57	\$ 866.14	\$ 1,081.43	\$ 1,404.36	\$ 1,727.27	T
18	19.10 - 19.90	C900/C905/DIP/Cast A, B	825-	1950-	\$ 773.57	\$ 866.14	\$ 1,081.43	\$ 1,404.36	\$ 1,727.27	T
18	19.20 - 20.00		825-	1960-	\$ 773.57	\$ 866.14	\$ 1,081.43	\$ 1,404.36	\$ 1,727.27	T
18	19.52 - 20.32	Cast C, D	825-	1992-	\$ 773.57	\$ 866.14	\$ 1,081.43	\$ 1,404.36	\$ 1,727.27	T
20	19.60 - 20.40	IPS	825-	2000-	\$ 940.44	\$ 1,057.37	\$ 1,333.50	\$ 1,665.63	\$ 1,994.24	T
20	21.20 - 22.00	C900/C905/DIP, Cast A, B	825-	2160-	\$ 940.44	\$ 1,057.37	\$ 1,333.50	\$ 1,665.63	\$ 1,994.24	T
20	21.40 - 22.20		825-	2180-	\$ 940.44	\$ 1,057.37	\$ 1,333.50	\$ 1,665.63	\$ 1,994.24	T
20	21.66 - 22.46	Cast C, D	825-	2206-	\$ 940.44	\$ 1,057.37	\$ 1,333.50	\$ 1,665.63	\$ 1,994.24	T

See page 122 for O.D. Chart

Different sizes and configurations available, please call for details. NBR gasket certified to Standard NSF 61.

For other widths contact factory

835 Series

TWO SECTIONS WITH TAPPED OUTLET

Product Example:
835-1760-20-A7T
16" x 20" x 2" AWWA
CC Taper Gasket
TECK™



Lifter Plate (TLP)

To order 835 Series Model No. **835-0663-12-A3T** means:

1	2	3	4	5	6	7	8	9	10	11	10	11
835	-	0	6	6	3	-	12	-	A	3	T	C
Series #	Mid O.D. Range						Width		Tap Configuration	Tap Size	T = Teck TLP = Lifter Plate	Options C = Conductivity Pad
							12 = 12" 16 = 16" 20 = 20"	24 = 24" 32 = 32"	A = AWWA F = FNPT	3 = 3/4" 4 = 1" 5 = 1 1/4" 6 = 1 1/2" 7 = 2"		

Options		
TLP	Taper Gasket & Lifter Plate Fastening System (Standard)	Deduct \$ 5.00
T	Taper Gasket & Teck™ Fastening System	List Price Above
C	Conductivity Pad	\$ 4.00 Adder

Tap - Adders		
Type		Outlet Size:
F = FNPT	A = AWWA	3 = 3/4"
\$ 56.58	\$ 56.58	4 = 1"
\$ 56.58	\$ 56.58	5 = 1 1/4"
\$ 73.04	\$ 73.04	6 = 1 1/2"
\$ 73.04	\$ 73.04	7 = 2"
\$ 81.09	\$ 90.60	



8403BW Belleville Washer Kit (for HDPE pipe) - \$ 20.25
Kit includes 8 washers, enough for 4 studs (2 per stud)
Washers should be positioned with the concave sides facing each other.

8403BW

Service Saddles & Repair Clamps

Nom. O.D.	O.D. Range	Pipe Material	Model #		Width					Standard
			Series #	Mid O.D. Range #	12" (3 bolt) Add -12	16" (4 bolt) Add -16	20" (5 bolt) Add -20	24" (6 bolt) Add -24	32" (8 bolt) Add -32	
6	6.23 - 7.03	IPS	835-	0663-	\$ 273.10	\$ 339.85	\$ 466.27	\$ 622.03	\$ 726.60	T
6	6.50 - 7.30	C900/DIP/Cast A	835-	0690-	\$ 273.10	\$ 339.85	\$ 466.27	\$ 622.03	\$ 726.60	T
6	6.60 - 7.40		835-	0700-	\$ 273.10	\$ 339.85	\$ 466.27	\$ 622.03	\$ 726.60	T
6	6.70 - 7.50	Cast B, C, D	835-	0710-	\$ 273.10	\$ 339.85	\$ 466.27	\$ 622.03	\$ 726.60	T
8	8.23 - 9.03	IPS	835-	0863-	\$ 303.39	\$ 387.28	\$ 528.50	\$ 709.76	\$ 815.52	T
8	8.60 - 9.40		835-	0900-	\$ 303.39	\$ 387.28	\$ 528.50	\$ 709.76	\$ 815.52	T
8	8.65 - 7.45	C900/DIP/Cast A, B	835-	0905-	\$ 303.39	\$ 387.28	\$ 528.50	\$ 709.76	\$ 815.52	T
8	8.90 - 9.70	Cast C, D	835-	0930-	\$ 303.39	\$ 387.28	\$ 528.50	\$ 709.76	\$ 815.52	T
10	10.35 - 11.15	IPS	835-	1075-	\$ 472.16	\$ 486.94	\$ 649.60	\$ 873.38	\$ 1,010.29	T
10	10.70 - 11.50	C900/DIP/Cast A	835-	1110-	\$ 472.16	\$ 486.94	\$ 649.60	\$ 873.38	\$ 1,010.29	T
10	11.00 - 11.80	Cast C, D	835-	1140-	\$ 472.16	\$ 486.94	\$ 649.60	\$ 873.38	\$ 1,010.29	T
12	12.35 - 13.15	IPS	835-	1275-	\$ 535.41	\$ 549.81	\$ 749.69	\$ 968.80	\$ 1,155.03	T
12	12.72 - 13.52		835-	1312-	\$ 535.41	\$ 549.81	\$ 749.69	\$ 968.80	\$ 1,155.03	T
12	12.80 - 13.60	C900/DIP/Cast A, B	835-	1320-	\$ 535.41	\$ 549.81	\$ 749.69	\$ 968.80	\$ 1,155.03	T
12	13.10 - 13.90	Cast C, D	835-	1350-	\$ 535.41	\$ 549.81	\$ 749.69	\$ 968.80	\$ 1,155.03	T
14	13.60 - 14.40	IPS	835-	1400-	\$ 604.56	\$ 660.95	\$ 846.64	\$ 1,094.47	\$ 1,307.60	T
14	14.90 - 15.70	C900/C905/DIP/Cast A, B	835-	1530-	\$ 604.56	\$ 660.95	\$ 846.64	\$ 1,094.47	\$ 1,307.60	T
14	15.00 - 15.80		835-	1540-	\$ 604.56	\$ 660.95	\$ 846.64	\$ 1,094.47	\$ 1,307.60	T
14	15.25 - 16.05	Cast C, D	835-	1565-	\$ 604.56	\$ 660.95	\$ 846.64	\$ 1,094.47	\$ 1,307.60	T

See page 122 for O.D. Chart

Different sizes and configurations available, please call for details. NBR grid gasket certified to Standard NSF 61.

For other widths contact factory

835 Series

TWO SECTIONS WITH TAPPED OUTLET

To order 835 Series Model No. **835-0663-12-A3-T-C** means:

1	2	3	4	5	6	7	8	9	10	11	10	11
835	-	0	6	6	3	-	12	-	A	3	T	C
Series #	Mid O.D. Range						Width		Tap Configuration	Tap Size	T = Teck TLP = Lifter Plate	Options C = Conductivity Pad
							12 = 12" 16 = 16" 20 = 20" 24 = 24" 32 = 32"		A = AWWA F = FNPT	3 = 3/4" 4 = 1" 5 = 1 1/4" 6 = 1 1/2" 7 = 2"		

Options		
TLP	Taper Gasket & Lifter Plate Fastening System (Standard)	Deduct \$ 5.00
T	Taper Gasket & Teck™ Fastening System	List Price Above
C	Conductivity Pad	\$ 4.00 Adder

Tap - Adders		
Type	Outlet	
F = FNPT	A = AWWA	Size:
\$ 56.58	\$ 56.58	3 = 3/4"
\$ 56.58	\$ 56.58	4 = 1"
\$ 73.04	\$ 73.04	5 = 1 1/4"
\$ 73.04	\$ 73.04	6 = 1 1/2"
\$ 81.09	\$ 90.60	7 = 2"



8403BW

8403BW Belleville Washer Kit (for HDPE pipe) - \$ 20.25
Kit includes 8 washers, enough for 4 studs (2 per stud)
Washers should be positioned with the concave sides facing each other.

Nom. O.D.	O.D. Range	Pipe Material	Model #		Width					Standard
			Series #	Mid O.D. Range #	12" (3 bolt) Add -12	16" (4 bolt) Add -16	20" (5 bolt) Add -20	24" (6 bolt) Add -24	32" (8 bolt) Add -32	
16	15.60 - 16.40	IPS	835-	1600-	\$ 651.26	\$ 723.83	\$ 941.89	\$ 1,219.30	\$ 1,499.44	T
16	17.00 - 17.80	C900/C905/DIP/Cast A, B	835-	1740-	\$ 651.26	\$ 723.83	\$ 941.89	\$ 1,219.30	\$ 1,499.44	T
16	17.20 - 18.00		835-	1760-	\$ 651.26	\$ 723.83	\$ 941.89	\$ 1,219.30	\$ 1,499.44	T
16	17.40 - 18.20	DIPS, Cast A - F	835-	1780-	\$ 651.26	\$ 723.83	\$ 941.89	\$ 1,219.30	\$ 1,499.44	T
18	17.60 - 18.40	IPS	835-	1800-	\$ 773.57	\$ 866.14	\$ 1,081.43	\$ 1,404.36	\$ 1,727.27	T
18	19.10 - 19.90	C900/C905/DIP/Cast A, B	835-	1950-	\$ 773.57	\$ 866.14	\$ 1,081.43	\$ 1,404.36	\$ 1,727.27	T
18	19.20 - 20.00		835-	1960-	\$ 773.57	\$ 866.14	\$ 1,081.43	\$ 1,404.36	\$ 1,727.27	T
18	19.52 - 20.32	Cast C, D	835-	1992-	\$ 773.57	\$ 866.14	\$ 1,081.43	\$ 1,404.36	\$ 1,727.27	T
20	19.60 - 20.40	IPS	835-	2000-	\$ 940.44	\$ 1,057.37	\$ 1,333.50	\$ 1,665.63	\$ 1,994.24	T
20	21.20 - 22.00	C900/C905/DIP/Cast A, B	835-	2160-	\$ 940.44	\$ 1,057.37	\$ 1,333.50	\$ 1,665.63	\$ 1,994.24	T
20	21.40 - 22.20		835-	2180-	\$ 940.44	\$ 1,057.37	\$ 1,333.50	\$ 1,665.63	\$ 1,994.24	T
20	21.66 - 22.46	Cast C, D	835-	2206-	\$ 940.44	\$ 1,057.37	\$ 1,333.50	\$ 1,665.63	\$ 1,994.24	T

See page 122 for O.D. Chart

Different sizes and configurations available, please call for details. NBR grid gasket certified to Standard NSF 61.

For other widths contact factory

1625 Series FOUR SECTIONS

Product Example:
1625-2580-24T
24" x 24" Taper Gasket
TECK™



Lifter Plate (TLP)

To order 1625 Series Model No. **1625-2400-12T** means:

1	2	3	4	5	6	7	8	9	10	11
1625	-	2	4	0	0	-	1	2	T	C
Series #	Mid O.D. Range					Width			T = Teck TLP = Lifter Plate	Options C = Conductivity Pad
							12 = 12"			
							16 = 16"			
							20 = 20"			
							24 = 24"			
							32 = 32"			

Options

TLP	Taper Gasket & Lifter Plate Fastening System (Standard)	Deduct \$ 5.00
T	Taper Gasket & Teck™ Fastening System	List Price Above
C	Conductivity Pad	\$ 4.00 Adder



8403BW

8403BW Belleville Washer Kit (for HDPE pipe) - \$ 20.25
Kit includes 8 washers, enough for 4 studs (2 per stud)
Washers should be positioned with the concave sides facing each other.

Nom. O.D.	O.D. Range	Pipe Material	Model #		Width					Standard
			Series #	Model Number	12" (3 bolt) Add -12	16" (4 bolt) Add -16	20" (5 bolt) Add -20	24" (6 bolt) Add -24	32" (8 bolt) Add -32	
24	23.20 - 24.80	IPS	1625-	2400-	\$ 1,076.27	\$ 1,543.89	\$ 2,089.31	\$ 2,672.85	\$ 3,521.56	T
24	24.60 - 26.20		1625-	2540-	\$ 1,076.27	\$ 1,543.89	\$ 2,089.31	\$ 2,672.85	\$ 3,521.56	T
24	25.00 - 26.60	C900/C905/DIP/Cast A, B	1625-	2580-	\$ 1,076.27	\$ 1,543.89	\$ 2,089.31	\$ 2,672.85	\$ 3,521.56	T
24	25.52 - 27.12	Cast C, D	1625-	2632-	\$ 1,076.27	\$ 1,543.89	\$ 2,089.31	\$ 2,672.85	\$ 3,521.56	T
30	29.20 - 30.80	IPS	1625-	3000-	\$ 1,411.22	\$ 1,714.80	\$ 2,363.52	\$ 3,049.68	\$ 3,849.42	T
30	30.94 - 32.54	Cast A	1625-	3174-	\$ 1,411.22	\$ 1,714.80	\$ 2,363.52	\$ 3,049.68	\$ 3,849.42	T
30	31.20 - 32.80	C900/C905/DIP/Cast B	1625-	3200-	\$ 1,411.22	\$ 1,714.80	\$ 2,363.52	\$ 3,049.68	\$ 3,849.42	T
30	31.60 - 33.20	Cast C	1625-	3240-	\$ 1,411.22	\$ 1,714.80	\$ 2,363.52	\$ 3,049.68	\$ 3,849.42	T
36	37.16 - 38.76	Cast A	1625-	3796-	\$ 1,833.09	\$ 2,351.73	\$ 3,129.77	\$ 3,936.61	\$ 5,029.12	T
36	37.50 - 39.10	C900/C905/DIP/Cast B	1625-	3830-	\$ 1,833.09	\$ 2,351.73	\$ 3,129.77	\$ 3,936.61	\$ 5,029.12	T
36	37.90 - 39.50	Cast C	1625-	3870-	\$ 1,833.09	\$ 2,351.73	\$ 3,129.77	\$ 3,936.61	\$ 5,029.12	T
36	38.36 - 39.96	Cast D	1625-	3916-	\$ 1,833.09	\$ 2,351.73	\$ 3,129.77	\$ 3,936.61	\$ 5,029.12	T

See page 122 for O.D. Chart

Different sizes and configurations available, please call for details. NBR grid gasket certified to Standard NSF 61.

For other widths contact factory

Service Saddles & Repair Clamps

1635 Series

FOUR SECTIONS WITH TAPPED OUTLET

Product Example:
1635-2580-24-A7T
24" x 24" x 2" AWWA
CC Taper Gasket
TECK™ Finger



Lifter Plate

To order 1635 Series Model No. **1635-2400-12-A3** means:

1	2	3	4	5	6	7	8	9	10	11
1635	-	2	4	0	0	-	12	-	A	3
Series #	Mid O.D. Range					Width	Tap Configuration	Tap Size		
						12 = 12"	A = AWWA	3 = 3/4"		
						16 = 16"	F = FNPT	4 = 1"		
						20 = 20"		5 = 1 1/4"		
						24 = 24"		6 = 1 1/2"		
						32 = 32"		7 = 2"		

Options		
TLP	Taper Gasket & Lifter Plate Fastening System (Standard)	Deduct \$ 5.00
T	Taper Gasket & Teck™ Fastening System	List Price Above
C	Conductivity Pad	\$ 4.00 Adder

Tap - Adders		
Type	A = AWWA	Outlet Size:
F = FNPT	\$ 56.58	3 = 3/4"
	\$ 56.58	4 = 1"
	\$ 73.04	5 = 1 1/4"
	\$ 73.04	6 = 1 1/2"
	\$ 81.09	7 = 2"



8403BW

8403BW Belleville Washer Kit (for HDPE pipe) - \$ 20.25
Kit includes 8 washers, enough for 4 studs (2 per stud)
Washers should be positioned with the concave sides facing each other.

Nom. O.D.	O.D. Range	Pipe Material	Model #		Width					Standard
			Series #	Model Number	12" (3 bolt) Add -12	16" (4 bolt) Add -16	20" (5 bolt) Add -20	24" (6 bolt) Add -24	32" (8 bolt) Add -32	
24	23.20 - 24.80	IPS	1635-	2400-	\$ 1,076.27	\$ 1,543.89	\$ 2,089.31	\$ 2,672.85	\$ 3,521.56	T
24	24.60 - 26.20		1635-	2540-	\$ 1,076.27	\$ 1,543.89	\$ 2,089.31	\$ 2,672.85	\$ 3,521.56	T
24	25.00 - 26.60	C900/C905/DIP/Cast A, B	1635-	2580-	\$ 1,076.27	\$ 1,543.89	\$ 2,089.31	\$ 2,672.85	\$ 3,521.56	T
24	25.52 - 27.12	Cast C - D	1635-	2632-	\$ 1,076.27	\$ 1,543.89	\$ 2,089.31	\$ 2,672.85	\$ 3,521.56	T
30	29.20 - 30.80	IPS	1635-	3000-	\$ 1,411.22	\$ 1,714.80	\$ 2,363.52	\$ 3,049.68	\$ 3,849.42	T
30	30.94 - 32.54	Cast A	1635-	3174-	\$ 1,411.22	\$ 1,714.80	\$ 2,363.52	\$ 3,049.68	\$ 3,849.42	T
30	31.20 - 32.80	C900/C905/DIP/Cast B	1635-	3200-	\$ 1,411.22	\$ 1,714.80	\$ 2,363.52	\$ 3,049.68	\$ 3,849.42	T
30	31.60 - 33.20	Cast C	1635-	3240-	\$ 1,411.22	\$ 1,714.80	\$ 2,363.52	\$ 3,049.68	\$ 3,849.42	T
36	37.16 - 38.76	Cast A	1635-	3796-	\$ 1,833.09	\$ 2,351.73	\$ 3,129.77	\$ 3,936.61	\$ 5,029.12	T
36	37.50 - 39.10	C900/C905/DIP/Cast B	1635-	3830-	\$ 1,833.09	\$ 2,351.73	\$ 3,129.77	\$ 3,936.61	\$ 5,029.12	T
36	37.90 - 39.50	Cast C	1635-	3870-	\$ 1,833.09	\$ 2,351.73	\$ 3,129.77	\$ 3,936.61	\$ 5,029.12	T
36	38.36 - 39.96	Cast D	1635-	3916-	\$ 1,833.09	\$ 2,351.73	\$ 3,129.77	\$ 3,936.61	\$ 5,029.12	T

See page 122 for O.D. Chart

Different sizes and configurations available, please call for details. NBR grid gasket certified to Standard NSF 61.

For other widths contact factory

Pipe O.D. Chart

Nom. O.D.	IPS PVC/HDPE Steel Size O.D.	DIP PVC C900/C905 O.D.	Cast Iron		Asbestos - Cement				Steel		Copper
			Classes		O.D.	Class	Machined End O.D.	Rough-Barrel O.D. (Min-Max)	Type	O.D.	O.D.
			Pit	Spun							
2"	2.38	2.50			2.50				STD	2.38	2.125
2 1/2"	2.88								STD	2.88	2.625
3"	3.50		A		3.80	100	3.74	4.00	O.D.	3.00	3.125
			B, C, D,	50 - 350	3.96	150	150	3.84	STD	3.50	3.125
						200	3.84	4.29			3.125
4"	4.50	4.80	A	50 - 350	4.80	100	4.64	4.79 - 5.14	O.D.	4.00	4.125
			B, C, D		5.00	150	4.81	4.97 - 5.27	STD	4.50	4.125
						200	4.81	5.22 - 5.57			4.125
6"	6.63	6.90	A	50 - 350	6.90	100	6.91	7.05 - 7.40	O.D.	6.00	6.125
			B, C, D		7.10	150	6.91	7.07 - 7.37	STD	6.63	6.125
				E, F		7.22	200	6.91	7.26 - 7.56		
8"	8.63	9.05	A, B	50 - 300	9.05	100	9.11	9.22 - 9.57	O.D.	8.00	
			C, D	350	9.30	150	9.11	9.27 - 9.57	STD	8.63	
				E, F		9.42	200	9.11	9.39 - 9.74		
10"	10.75	11.10	A, B	50 - 200	11.10	100	11.24	11.42 - 11.77	O.D.	10.00	
			C, D	250 - 350	11.40	150	11.66	11.82 - 12.12	STD	10.75	
				E, F		11.60	200	11.66	11.77 - 12.12		
12"	12.75	13.20	A, B	50 - 200	13.20	100	13.44	13.69 - 14.04	O.D.	12.00	
			C, D	250 - 350	13.50	150	13.92	14.08 - 14.38	STD	12.75	
				E, F		13.76	200	13.92	14.03 - 14.38		
14"	14.00	C900/C905 15.30	A, B	50 - 100	15.30	100	15.07	15.40 - 15.80	O.D.	14.00	
			C, D	150 - 300	15.65	150	16.22	16.38 - 16.73			
				E, F		15.98	200	16.22	16.48 - 16.88		
16"	16.00	C900/C905 17.40	A, B	50 - 100	17.40	100	17.14	17.54 - 17.94	O.D.	16.00	
			C, D	150 - 300	17.80	150	18.46	18.62 - 18.97			
				E, F		18.16	200	18.46	18.79 - 19.19		
18"	18.00	C900/C905 19.50	A, B	50 - 100	19.50	100	19.90	20.44	STD	18.00	
			C, D	150 - 250	19.92	150	20.94	21.20			
				A, B	50 - 100	21.60	100	22.12	22.50	STD	20.00
20"	20.00	C900/C905 21.60	C, D	150 - 200	22.06	150	23.28	23.54			
24"	24.00	C900/C905 25.80	A, B	50 - 100	25.80	100	26.48	27.17	STD	24.00	
			C, D	150 - 250	26.32	150	27.96	28.22			
30"	30.00	C900/C905 32.00	A, B	50 - 100	32.00				STD	30.00	
			C, D	150 - 250	32.74						
36"	36.00	C900/C905 38.30	B	50 - 350	38.30				STD	36.00	

Note: Outside diameters and specifications vary. Above dimensions are approximate
Determine pipe O.D. before ordering

Service Saddles & Repair Clamps

Model	Pipe Size	Tap Size	Saddle Style	No. of Bolts/Nuts	Screws/Bolt/Nut	Order Part No.	List (ea.)
3801 3802 3805 3806	2" - 8"	1/2" - 1"	Two piece brass	Two per saddle	5/16" x 2" x 18" Bronze bolt	3100-906	\$ 3.69
3801 3802 3805 3806	4" 6" 8"	1 1/2" - 2"	Two piece brass	Two per saddle	7/16" x 2" x 14" Bronze bolt	3100-908	\$ 3.39
3801 3802 3805 3806	10" - 12"	1/2" - 1"	Brass band	Two per saddle	1/2" x 3" Bronze bolt	3100-915	\$ 4.94
3815 3816 3825A, B 3826A, B	4" - 12" 4" - 30"	1/2" - 2"	Bronze bale style	Two per single Four per double	5/8" x 11" Brass nut	4148-537	\$ 5.75
3835 3836 3845A, B 3846A, B 3855 3856	4" - 12" 4" - 30" 4" - 12"	1/2" - 2"	Stainless band style	Two per single Four per double Four per wide	5/8" x 11" Stainless nut washer	4148-660 4148-513	\$ 7.88 \$ 0.50
3891 3892 3895 3896	2" - 8"	1/2" - 2"	Hinge style	One per 3/4", 1" Tap Two per 1 1/2", 2" Tap	5/16" x 1 1/2" x 18" Bronze bolt	3100-911	\$ 1.63

Viton® O-ring adder "V"
 3/4"\$ 10.68
 1"\$ 10.68
 1 1/2"\$ 15.44
 2"\$ 15.44

Stainless Steel Bolts
 \$ 5.45 per bolt

Model	Pipe Size	Tap Size	Saddle Style	No. of Bolts/Nuts	Screws/Bolt/Nut	Order Part No.	List (ea.)
4815A 4816A 4825A 4826A	4" - 12"	3/4" - 2"	Core ten steel bale	Two per single Four for double	5/16" x 2" x 18" Bronze bolt	4148-660 4148-573	\$ 7.88 \$ 0.50
4835A 4836A 4845A 4846A 4855A 4856A	4" - 12"	3/4" - 2"	Stainless steel band style	Two per single Four per double Four per wide	7/16" x 2" x 14" Bronze bolt	4148-660 4148-573	\$ 7.88 \$ 0.50

Brass Bushings

747011

AWWA x AWWA Bushing



3/4" x 1 1/2"

2" x 1 1/2"

Male AWWA	Female AWWA	Carton PCS/WT	Price
3/4"	x 1/2"	50/20	\$ 16.66
1"	x 3/4"	40/16	\$ 20.61
1 1/4"	x 3/4"	10/14	\$ 108.08
1 1/4"	x 1"	10/12	\$ 108.34
1 1/2"	x 3/4"	10/20	\$ 55.59
1 1/2"	x 1"	10/18	\$ 55.76
2"	x 3/4"	10/23	\$ 89.00
2"	x 1"	10/22	\$ 91.02
2"	x 1 1/4"	10/19	\$ 79.08
2"	x 1 1/2"	10/17	\$ 67.87

747014

AWWA x FNPT Bushing



3/4" x 1 1/2"

2" x 1 1/2"

Male AWWA	FNPT	Carton PCS/WT	Price
3/4"	x 1/2"	50/22	\$ 15.78
1"	x 3/4"	40/20	\$ 20.97
1 1/2"	x 1 1/4"	10/14	\$ 48.86
2"	x 1 1/4"	10/19	\$ 88.14
2"	x 1 1/2"	10/18	\$ 78.05

747041

MNPT x Female AWWA Bushing



1" x 3/4"

2" x 1 1/2"

MNPT	Female AWWA	Carton PCS/WT	Price
1"	x 3/4"	25/46	\$ 15.78
1 1/4"	x 3/4"	10/12	\$ 23.61
1 1/4"	x 1"	10/8	\$ 19.42
1 1/2"	x 3/4"	10/14	\$ 53.60
1 1/2"	x 1"	10/12	\$ 51.88
2"	x 3/4"	10/19	\$ 68.56
2"	x 1"	10/18	\$ 74.20
2"	x 1 1/4"	10/15	\$ 57.15
2"	x 1 1/2"	10/12	\$ 58.76

Plugs

73206

Plug AWWA (Hollow Core)



Size	Carton PCS/WT	Price
1/2"	50/9	\$ 25.51
5/8"	50/15	\$ 25.88
3/4"	50/17	\$ 12.57
1"	25/10	\$ 18.29
1 1/4"	15/13	\$ 40.24
1 1/2"	15/17	\$ 41.02
2	10/16	\$ 53.18

732060

Plug AWWA Thread with Inside Driving Thread



Size	Carton PCS/WT	Price
5/8" x 5/8"	50/23	\$ 68.56
3/4" x 5/8"	50/25	\$ 62.02
1" x 5/8"	50/35	\$ 74.03

73208

Plug IPT (Hollow Core) MNPT Corp Threads x Square Head



Size	Carton PCS/WT	Price
1/2"	50/10	\$ 11.74
3/4"	50/11	\$ 11.80
1"	25/7	\$ 18.85
1 1/4"	15/12	\$ 40.24
1 1/2"	15/12	\$ 43.43
2	10/11	\$ 53.18

732080

Plug - MNPT x Inside Driving Threads



Size	Carton PCS/WT	Price
3/4" x 5/8"	50/23	\$ 28.24
1" x 5/8"	50/32	\$ 71.22

73208S

Plug - MNPT Corp Threads x Square Head



Size	Carton PCS/WT	Price
1/2"	50/6	\$ 25.51
3/4"	50/10	\$ 21.97
1 1/2"	15/1	\$ 41.02
2	10/9	\$ 53.18

73209

Plug Male Copper Flare Thread x Square Head



Size	Carton PCS/WT	Price
1"	25/10	\$ 19.45



Curb Stops












Curb Stops

Water Works Catalog / Price List - July 2017

MORE THAN A BRAND. WE'RE A FAMILY.

Curb Stops

Ball Valves with:

	List Price Adders to Base
 <p>- 360° degree rotation of operating head, add "1" to fourth number in model number. Example: 76100 becomes 76110...74642B becomes 74652B</p>	\$ 2.18
 <p>- Cap for "Reclaimed Water" change model number by adding "RWC" to end of model number. Example: 76100W-22 3/4" becomes 76100W-22RWC 3/4"</p>	\$ 3.74 lockwing version
 <p>- Tag for "Reclaimed Water" change model number by adding "RWT" to end of model number. Example: 76100-22 3/4" becomes 76100-22RWT 3/4"</p>	\$ 15.89
<p>- Single Lockwing for locking in closed position For Single Lockwing add W to model number i.e. 76100 becomes 76100W</p>	\$ 3.44
 <p>- Double Lockwing for locking in open and closed position, For Double Lockwing add WW to model number i.e. 76100 becomes 76100WW</p>	\$ 6.89
<p>- For Handyloc - Replace "Q" or "-3Q" with "H" or "-3H" in 3/4" & 1" only.</p>	3/4" - "H" - \$ 3.27 1" - "H" - \$ 4.36 3/4" - "-3H" - \$ 4.36 1" - "-3H" - \$ 6.54
 <p>- C-903 connections, replace "Q" in model number with "K". Available in 3/4" & 1" sizes only. Example: 76100Q 3/4" becomes 76100K 3/4"</p>	3/4" - \$ 24.42 1" - \$ 33.59
 <p>- Anode, Tracer Wire, or Thaw wire connection add "A" to flared, "Q" connections. Example 76100 3/4" becomes 76100A 3/4" or 76100Q 3/4" becomes 76100QA 3/4".</p>	Any size \$ 9.83
 <p>- Factory assembled handles, contact factory (see Meter Valves section for handle options)</p>	See page 234
 <p>CTS IP - Cross type connection</p>	Contact Factory
 <p>Length - Special end-to-end lengths</p>	Contact Factory
<p>- British Standard Pipe threads</p>	Contact Factory
 <p>- Insert stiffeners are required on all flexible plastic connections ("G", -3G, "T", -3Q, "Q", -22, -33, & -34) See the Service Fittings section.</p>	
 <p>A brass 2" square operating head that is easily pinned to existing curb stops are available separately.</p>	See page 234

Ball Valves - Straight

REGULAR PATTERN - RATED FOR 300 PSIG - LESS LOCKWING

A.Y. McDonald Ball Valve Curb Stops maintain their low turning torques and bubble-tight 300 PSIG water pressure rating due to the PTFE coated brass ball that is supported by two blow-out proof EPDM seals. The endpiece joint is sealed with an EPDM o-ring and thread locker. McDonald Ball Curb Stops offer positive shut-off from either direction and are available with a wide variety of end connections.

76100
Flare x Flare



Size	Carton PCS/WT	Price
3/4" x 5/8" x 3/4"	20/40	\$ 66.16
3/4"	15/35	\$ 109.68
1" x 3/4" x 3/4"	10/27	\$ 119.36
1" x 3/4" x 1"	10/30	\$ 128.46
1"	10/38	\$ 151.42
1 1/4"	8/48	\$ 257.95
1 1/4" x 1" x 1"	10/48	\$ 204.14
1 1/4" x 1" x 1 1/4"	5/25	\$ 223.98
1 1/2"	3/25	\$ 367.91
2"	2/29	\$ 602.24

76100-22-55
-22 CTS x -55 IP



Size	Carton PCS/WT	Price
3/4"	15/33	\$ 128.45
1"	10/37	\$ 194.27

76100Q-3Q
Q CTS x -3Q PEP



Size	Carton PCS/WT	Price
3/4"	15/37	\$ 128.46
1"	10/40	\$ 194.27

76100-22
-22 CTS x -22 CTS



Size	Carton PCS/WT	Price
3/4" x 5/8" x 3/4"	20/34	\$ 66.90
3/4"	15/30	\$ 108.23
1" x 3/4" x 3/4"	10/23	\$ 117.50
1" x 3/4" x 1"	10/25	\$ 137.56
1"	10/31	\$ 162.68
1 1/4" x 1" x 1"	10/40	\$ 214.93
1 1/4" x 1" x 1 1/4"	8/32	\$ 223.98
1 1/4"	8/40	\$ 257.95
1 1/2"	3/20	\$ 389.32
2"	2/22	\$ 547.31

76100G
G CTS x G CTS



Size	Carton PCS/WT	Price
3/4" x 5/8" x 3/4"	20/36	\$ 66.90
3/4"	15/31	\$ 108.23
1" x 3/4" x 3/4"	10/24	\$ 117.50
1" x 3/4" x 1"	10/26	\$ 137.56
1"	10/34	\$ 162.68
1 1/4" x 1" x 1"	10/34	\$ 214.93
1 1/4" x 1" x 1 1/4"	8/34	\$ 223.98
1 1/4"	8/41	\$ 257.96
1 1/2"	3/20	\$ 389.32
2"	2/19	\$ 547.31

76100T
T CTS x T CTS



Size	Carton PCS/WT	Price
3/4" x 5/8" x 3/4"	20/35	\$ 66.90
3/4"	15/31	\$ 108.23
1" x 3/4" x 3/4"	10/23	\$ 117.50
1" x 3/4" x 1"	10/26	\$ 137.56
1"	10/33	\$ 162.68
1 1/4" x 1" x 1"	10/36	\$ 214.93
1 1/4" x 1" x 1 1/4"	8/33	\$ 223.98
1 1/4"	8/40	\$ 257.96
1 1/2"	3/18	\$ 389.32
2"	2/18	\$ 547.31

76100-22-33
-22 CTS x -33 PEP-7



Size	Carton PCS/WT	Price
3/4"	15/34	\$ 128.46
1"	10/37	\$ 194.27
2"	2/24	\$ 585.98

76100Q
Q CTS x Q CTS



Size	Carton PCS/WT	Price
3/4" x 5/8" x 3/4"	20/36	\$ 66.90
3/4"	15/31	\$ 108.23
1" x 3/4" x 3/4"	10/24	\$ 117.50
1" x 3/4" x 1"	10/26	\$ 137.56
1"	10/34	\$ 162.68
1 1/4" x 1" x 1"	10/34	\$ 214.93
1 1/4" x 1" x 1 1/4"	8/34	\$ 223.98
1 1/4"	8/41	\$ 257.95
1 1/2"	3/20	\$ 389.32
2"	2/19	\$ 547.31

76100-33
-33 PEP-7 x -33 PEP-7



Size	Carton PCS/WT	Price
3/4"	10/25	\$ 137.56
3/4" x 1" x 3/4"	10/27	\$ 141.35
3/4" x 1" x 1"	10/48	\$ 173.02
1"	8/33	\$ 209.48
1 1/4"	8/52	\$ 307.01
1 1/2" x 2" x 1 1/2"	2/27	\$ 404.31
2"	2/25	\$ 624.43

76100-22-44
-22 CTS x -44 PVC



Size	Carton PCS/WT	Price
3/4"	15/35	\$ 128.46
1"	10/37	\$ 191.03
2"	2/23	\$ 585.98

Ball Valves - Straight

REGULAR PATTERN - RATED FOR 300 PSIG - LESS LOCKWING

A.Y. McDonald Ball Valve Curb Stops maintain their low turning torques and bubble-tight 300 PSIG water pressure rating due to the PTFE coated brass ball that is supported by two blow-out proof EPDM seals. The endpiece joint is sealed with an EPDM o-ring and thread locker. McDonald Ball Curb Stops offer positive shut-off from either direction and are available with a wide variety of end connections.

76100-3G

-3G PEP x -3G PEP



Size	Carton PCS/WT	Price
3/4"	10/25	\$ 137.56
3/4" x 1" x 3/4"	10/27	\$ 141.35
3/4" x 1" x 1"	10/48	\$ 175.28
1"	8/33	\$ 209.48

76100-44

-44 PVC x -44 PVC



Size	Carton PCS/WT	Price
3/4"	10/25	\$ 137.56
3/4" x 1" x 3/4"	10/33	\$ 141.35
3/4" x 1" x 1"	10/50	\$ 173.02
1"	8/33	\$ 209.48
1 1/4"	3/18	\$ 331.63
1 1/2"	3/22	\$ 401.61
2"	2/26	\$ 602.24

76100-55

-55 IP x -55 IP



Size	Carton PCS/WT	Price
3/4"	10/23	\$ 134.99
3/4" x 1" x 3/4"	10/32	\$ 141.35
3/4" x 1" x 1"	10/50	\$ 183.36
1"	8/34	\$ 207.39
2"	2/25	\$ 572.17

76100-3Q

-3Q PEP x -3Q PEP



Size	Carton PCS/WT	Price
3/4"	10/27	\$ 137.56
3/4" x 1" x 3/4"	10/33	\$ 141.35
3/4" x 1" x 1"	10/38	\$ 175.28
1"	8/34	\$ 209.48

76100REP-22

-22 CTS x -22 CTS



Size	Carton PCS/WT	Price
3/4" x 10.12	8/23	\$ 139.74
1" x 10.50	8/33	\$ 198.90

76100REPQ

Q CTS x - Q CTS



Size	Carton PCS/WT	Price
3/4" x 10.12	8/23	\$ 139.74
1" x 10.50	8/35	\$ 198.90

Ball Valves - Straight

REGULAR PATTERN - RATED FOR 300 PSIG - WITH LOCKWING

A.Y. McDonald Ball Valve Curb Stops maintain their low turning torques and bubble-tight 300 PSIG water pressure rating due to the PTFE coated brass ball that is supported by two blow-out proof EPDM seals. The endpiece joint is sealed with an EPDM o-ring and thread locker. McDonald Ball Curb Stops offer positive shut-off from either direction and are available with a wide variety of end connections.

76100W
Flare x Flare



Size	Carton PCS/WT	Price
3/4" x 5/8" x 3/4"	20/44	\$ 69.61
3/4"	15/36	\$ 113.12
1" x 3/4" x 3/4"	10/26	\$ 122.88
1" x 3/4" x 1"	10/31	\$ 131.93
1"	10/39	\$ 154.93
1 1/4" x 1" x 1"	10/45	\$ 207.93
1 1/4" x 1" x 1 1/4"	10/52	\$ 227.80
1 1/2"	3/25	\$ 371.57
2"	2/28	\$ 605.91

76100WG
G CTS x G CTS



Size	Carton PCS/WT	Price
3/4" x 5/8" x 3/4"	20/36	\$ 70.39
3/4"	15/31	\$ 111.71
1" x 3/4" x 3/4"	10/23	\$ 120.90
1" x 3/4" x 1"	10/27	\$ 141.01
1"	10/34	\$ 166.17
1 1/4" x 1" x 1"	10/45	\$ 218.66
1 1/4" x 1" x 1 1/4"	10/47	\$ 228.02
1 1/4"	8/45	\$ 261.39
1 1/2"	3/19	\$ 393.01
2"	2/18	\$ 551.07

76100W-3Q
-3Q PEP x -3Q PEP



Size	Carton PCS/WT	Price
3/4"	10/25	\$ 141.01
1"	10/42	\$ 212.98

76100W-22
-22 CTS x -22 CTS



Size	Carton PCS/WT	Price
3/4" x 5/8" x 3/4"	20/35	\$ 70.39
3/4"	15/31	\$ 111.71
1" x 3/4" x 3/4"	10/22	\$ 120.90
1" x 3/4" x 1"	10/25	\$ 141.01
1"	10/32	\$ 166.17
1 1/4" x 1" x 1"	10/44	\$ 218.66
1 1/4" x 1" x 1 1/4"	10/42	\$ 228.02
1 1/4"	8/43	\$ 261.39
1 1/2"	3/20	\$ 393.01
2"	2/22	\$ 551.07

76100WQ
Q CTS x Q CTS



Size	Carton PCS/WT	Price
3/4" x 5/8" x 3/4"	20/36	\$ 70.39
3/4"	15/31	\$ 111.71
1" x 3/4" x 3/4"	10/23	\$ 120.90
1" x 3/4" x 1"	10/27	\$ 141.01
1"	10/34	\$ 166.17
1 1/4" x 1" x 1"	10/45	\$ 218.66
1 1/4" x 1" x 1 1/4"	10/47	\$ 228.02
1 1/4"	8/45	\$ 261.39
1 1/2"	3/19	\$ 393.01
2"	2/18	\$ 551.07

76100W-44
-44 PVC x -44 PVC



Size	Carton PCS/WT	Price
3/4"	10/25	\$ 141.01
3/4" x 1" x 1"	10/50	\$ 176.45
1"	10/44	\$ 212.98
1 1/4"	3/18	\$ 335.08
1 1/2"	3/25	\$ 405.31
2"	2/27	\$ 605.91

76100W-22-44
-22 CTS x -44 PVC



Size	Carton PCS/WT	Price
3/4" x 5/8" x 3/4"	20/40	\$ 87.11
3/4"	15/36	\$ 128.45
1"	10/38	\$ 194.47

76100WT
T CTS x T CTS



Size	Carton PCS/WT	Price
3/4" x 5/8" x 3/4"	20/37	\$ 70.39
3/4"	15/31	\$ 111.71
1" x 3/4" x 3/4"	10/23	\$ 120.90
1" x 3/4" x 1"	10/27	\$ 141.01
1"	10/35	\$ 166.17
1 1/4" x 1" x 1"	10/45	\$ 218.66
1 1/4" x 1" x 1 1/4"	10/41	\$ 228.02
1 1/4"	8/45	\$ 261.39
1 1/2"	3/19	\$ 393.01
2"	2/18	\$ 551.07

76100WG-44
G CTS x -44 PVC



Size	Carton PCS/WT	Price
3/4" x 5/8" x 3/4"	20/42	\$ 87.11
3/4"	15/36	\$ 128.45

76100W-22-55
-22 CTS x -55 IP



Size	Carton PCS/WT	Price
3/4"	15/36	\$ 131.91

76100WQ-44
Q CTS x -44 PVC



Size	Carton PCS/WT	Price
3/4"	15/34	\$ 128.45
1"	10/39	\$ 194.47

76100W-55
-55 IP x -55 IP



Size	Carton PCS/WT	Price
3/4"	10/26	\$ 138.41
3/4" x 1" x 1"	10/39	\$ 186.77
1"	10/44	\$ 210.84
2"	2/27	\$ 534.75

76100W-33
-33 PEP-7 x -33 PEP-7



Size	Carton PCS/WT	Price
3/4"	10/25	\$ 141.01
3/4" x 1" x 1"	10/50	\$ 176.45
1"	10/32	\$ 212.98

Curb Stops

Ball Valves - Straight

REGULAR PATTERN - RATED FOR 300 PSIG - LESS LOCKWING

A.Y. McDonald Ball Valve Curb Stops maintain their low turning torques and bubble-tight 300 PSIG water pressure rating due to the PTFE coated brass ball that is supported by two blow-out proof EPDM seals. The endpiece joint is sealed with an EPDM o-ring and thread locker. McDonald Ball Curb Stops offer positive shut-off from either direction and are available with a wide variety of end connections.

76102

Flare x FNPT



Size	Carton PCS/WT	Price
3/4" x 5/8" x 3/4"	20/31	\$ 58.11
3/4" x 5/8" x 4.00	20/34	\$ 53.08
3/4" x 3/4" x 1"	15/39	\$ 105.27
3/4"	15/27	\$ 99.42
1" x 3/4" x 3/4"	10/21	\$ 111.58
1" x 3/4" x 1"	10/22	\$ 116.30
1"	10/30	\$ 140.40
1" x 5.25	10/34	\$ 140.40
1 1/4" x 1" x 1"	10/44	\$ 190.66
1 1/4" x 1" x 1 1/4"	10/39	\$ 202.50
1 1/4"	8/37	\$ 235.57
1 1/2"	3/19	\$ 317.85
2"	3/30	\$ 466.68

76102Q

Q CTS x FNPT



Size	Carton PCS/WT	Price
3/4" x 5/8" x 3/4"	20/28	\$ 61.79
3/4"	15/24	\$ 95.03
3/4" x 3/4" x 1"	15/25	\$ 111.58
1" x 3/4" x 3/4"	10/18	\$ 106.45
1" x 3/4" x 1"	10/21	\$ 112.82
1"	10/28	\$ 145.94
1 1/4" x 1" x 1"	10/31	\$ 190.67
1 1/4" x 1" x 1 1/4"	10/32	\$ 204.14
1 1/4"	8/34	\$ 235.57
1 1/2"	3/17	\$ 317.85
2"	3/24	\$ 441.93

76102-3G

-3G PEP x FNPT



Size	Carton PCS/WT	Price
3/4" x 5/8" x 3/4"	20/36	\$ 69.35
3/4"	15/27	\$ 111.58
3/4" x 3/4" x 1"	10/19	\$ 123.78
3/4" x 1" x 1"	10/34	\$ 141.12
1"	10/30	\$ 158.44

76102-22

-22 CTS x FNPT



Size	Carton PCS/WT	Price
3/4" x 5/8" x 3/4"	20/27	\$ 61.79
3/4"	15/24	\$ 95.03
3/4" x 3.88	15/26	\$ 95.03
3/4" x 3/4" x 1"	15/25	\$ 111.58
1" x 3/4" x 3/4"	10/18	\$ 106.45
1" x 3/4" x 1"	10/19	\$ 112.82
1"	10/26	\$ 145.94
1 1/4" x 1" x 1"	10/30	\$ 190.67
1 1/4" x 1" x 1 1/4"	10/32	\$ 204.14
1 1/4"	8/34	\$ 235.57
1 1/2"	3/18	\$ 317.85
2"	3/25	\$ 441.93

76102T

T CTS x FNPT



Size	Carton PCS/WT	Price
3/4" x 5/8" x 3/4"	20/28	\$ 61.79
3/4"	15/26	\$ 95.03
3/4" x 3/4" x 1"	10/17	\$ 111.58
1" x 3/4" x 3/4"	10/19	\$ 106.45
1" x 3/4" x 1"	10/20	\$ 112.82
1"	10/27	\$ 145.94
1 1/4" x 1" x 1"	10/36	\$ 190.67
1 1/4" x 1" x 1 1/4"	10/31	\$ 204.14
1 1/2"	3/16	\$ 317.85
2"	3/23	\$ 441.93

76102-3Q

-3Q PEP x FNPT



Size	Carton PCS/WT	Price
3/4" x 5/8" x 3/4"	20/37	\$ 69.35
3/4"	15/28	\$ 111.58
3/4" x 3/4" x 1"	15/30	\$ 123.78
3/4" x 1" x 1"	10/30	\$ 141.12
1"	10/31	\$ 158.44

76102-44

-44 PVC x FNPT



Size	Carton PCS/WT	Price
3/4" x 5/8" x 3/4"	20/34	\$ 65.38
3/4"	15/27	\$ 111.58
3/4" x 3/4" x 1"	10/35	\$ 123.78
3/4" x 1" x 1"	10/34	\$ 141.12
1" x 3/4" x 3/4"	15/36	\$ 123.78
1"	10/30	\$ 158.44
1 1/4"	5/25	\$ 263.00
1 1/4" x 1" x 1"	5/25	\$ 262.96
1 1/4" x 1 1/2" x 1 1/2"	3/21	\$ 285.30
1 1/2"	3/19	\$ 334.51
2"	3/28	\$ 466.68

76102G

G CTS x FNPT



Size	Carton PCS/WT	Price
3/4" x 5/8" x 3/4"	20/27	\$ 61.79
3/4"	15/24	\$ 95.03
3/4" x 3/4" x 1"	15/25	\$ 111.58
1" x 3/4" x 3/4"	10/18	\$ 106.45
1" x 3/4" x 1"	10/19	\$ 112.82
1"	10/26	\$ 145.94
1 1/4"	8/24	\$ 204.14
1 1/4" x 1" x 1"	10/30	\$ 190.67
1 1/4" x 1" x 1 1/4"	10/32	\$ 235.57
1 1/2"	3/18	\$ 317.85
2"	3/25	\$ 441.93

76102-33

-33 PEP-7 x FNPT



Size	Carton PCS/WT	Price
3/4" x 5/8" x 3/4"	20/36	\$ 69.35
3/4"	15/27	\$ 111.58
3/4" x 3/4" x 1"	10/19	\$ 123.78
3/4" x 1" x 1"	10/34	\$ 141.12
1"	10/30	\$ 158.44
1" x 1" x 3/4"	10/34	\$ 123.78
1 1/4"	8/40	\$ 263.13
1 1/2"	3/19	\$ 345.96
2"	3/29	\$ 529.52

76102-55

-55 IP x FNPT



Size	Carton PCS/WT	Price
3/4" x 5/8" x 3/4"	20/36	\$ 65.38
3/4"	15/25	\$ 109.63
3/4" x 3/4" x 1"	10/33	\$ 134.30
3/4" x 1" x 1"	10/33	\$ 141.12
1"	10/32	\$ 156.86
2"	2/19	\$ 503.44

Ball Valves

REGULAR PATTERN - RATED FOR 300 PSIG - WITH LOCKWING

A.Y. McDonald Ball Valve Curb Stops maintain their low turning torques and bubble-tight 300 PSIG water pressure rating due to the PTFE coated brass ball that is supported by two blow-out proof EPDM seals. The endpiece joint is sealed with an EPDM o-ring and thread locker. McDonald Ball Curb Stops offer positive shut-off from either direction and are available with a wide variety of end connections.

76102W

Flare x FNPT



Size	Carton PCS/WT	Price
3/4" x 5/8" x 1/2"	20/35	\$ 61.49
3/4" x 5/8" x 3/4"	20/30	\$ 61.55
3/4" x 5/8" x 3/4" x 3.75"	20/33	\$ 62.59
3/4" x 5/8" x 3/4" x 4.50"	20/36	\$ 76.15
3/4" x 3/4" x 1"	15/39	\$ 108.69
3/4"	15/27	\$ 102.95
3/4" x 4.12"	15/29	\$ 102.95
3/4" x 3.75"	15/30	\$ 102.95
1" x 3/4" x 3/4"	10/28	\$ 115.04
1" x 3/4" x 1"	10/22	\$ 119.73
1" x 3/4" x 1" x 4.50"	10/23	\$ 114.34
1"	10/29	\$ 143.81
1" x 4.50"	10/31	\$ 143.81
1" x 5.00"	10/33	\$ 143.84
1" x 5.25"	10/34	\$ 143.85
1 1/4" x 1" x 1"	10/43	\$ 194.41
1 1/4" x 1" x 1 1/4"	10/39	\$ 188.61
1 1/4"	8/39	\$ 239.02
1 1/2"	3/20	\$ 321.50
2"	3/31	\$ 470.43

76102W-22

-22 CTS x FNPT



Size	Carton PCS/WT	Price
3/4" x 5/8" x 3/4"	20/29	\$ 65.19
3/4"	15/25	\$ 98.43
3/4" x 4.06	15/29	\$ 104.71
3/4" x 3/4" x 1"	15/26	\$ 115.04
1" x 5/8" x 3/4"	20/33	\$ 106.45
1" x 3/4" x 3/4"	10/19	\$ 110.00
1" x 3/4" x 1"	10/19	\$ 116.30
1"	10/27	\$ 149.35
1 1/4" x 1" x 1"	10/39	\$ 194.42
1 1/4" x 1" x 1 1/4"	10/33	\$ 188.60
1 1/4"	8/37	\$ 239.02
1 1/2"	3/18	\$ 321.62
2"	3/25	\$ 445.73

76102WG

G CTS x FNPT



Size	Carton PCS/WT	Price
3/4" x 5/8" x 3/4"	20/30	\$ 65.19
3/4"	15/25	\$ 98.43
3/4" x 5/8" x 3/4" x 3.31"	20/32	\$ 65.19
3/4" x 3/4" x 1"	15/27	\$ 115.04
1" x 5/8" x 3/4"	20/34	\$ 106.45
1" x 3/4" x 3/4"	10/19	\$ 110.00
1" x 3/4" x 1"	10/21	\$ 116.30
1"	10/28	\$ 149.35
1" x 4.50	10/29	\$ 149.35
1 1/4" x 1" x 1"	10/35	\$ 194.42
1 1/4" x 1" x 1 1/4"	10/34	\$ 188.60
1 1/4"	8/40	\$ 239.02
1 1/2"	3/18	\$ 321.62
2"	3/24	\$ 445.73

76102WQ

Q CTS x FNPT



Size	Carton PCS/WT	Price
3/4" x 5/8" x 3/4"	20/30	\$ 65.19
3/4"	15/25	\$ 98.43
3/4" x 5/8" x 3/4" x 3.31"	20/32	\$ 65.19
3/4" x 3/4" x 1"	15/27	\$ 115.04
1" x 5/8" x 3/4"	20/34	\$ 106.45
1" x 3/4" x 3/4"	10/19	\$ 110.00
1" x 3/4" x 1"	10/21	\$ 116.30
1"	10/28	\$ 149.35
1" x 4.50	10/29	\$ 149.35
1 1/4" x 1" x 1"	10/35	\$ 194.42
1 1/4" x 1" x 1 1/4"	10/34	\$ 188.60
1 1/4"	8/40	\$ 239.02
1 1/2"	3/18	\$ 321.62
2"	3/24	\$ 445.73

76102WT

T CTS x FNPT



Size	Carton PCS/WT	Price
3/4" x 5/8" x 3/4"	20/29	\$ 65.19
3/4"	15/26	\$ 98.43
3/4" x 3/4" x 1"	15/63	\$ 115.04
1" x 5/8" x 3/4"	20/34	\$ 106.45
1" x 3/4" x 3/4"	10/20	\$ 110.00
1" x 3/4" x 1"	10/20	\$ 116.30
1"	10/29	\$ 149.35
1 1/4" x 1" x 1"	10/36	\$ 194.42
1 1/4" x 1" x 1 1/4"	10/33	\$ 188.60
1 1/2"	3/17	\$ 321.62
2"	3/25	\$ 445.73

76102W-33

-33 PEP-7 x FNPT



Size	Carton PCS/WT	Price
3/4" x 5/8" x 3/4"	20/34	\$ 72.80
3/4"	15/29	\$ 115.04
3/4" x 3/4" x 1"	10/35	\$ 127.25
3/4" x 1" x 1"	10/40	\$ 144.56
1"	10/31	\$ 161.90
1 1/2"	3/19	\$ 349.40

76102W-3Q

-3Q PEP x FNPT



Size	Carton PCS/WT	Price
3/4" x 5/8" x 3/4"	20/35	\$ 72.80
3/4"	10/20	\$ 115.04
3/4" x 3/4" x 1"	10/19	\$ 127.25
3/4" x 1" x 1"	10/28	\$ 144.56
1"	10/32	\$ 161.90

76102W-44

-44 PVC x FNPT



Size	Carton PCS/WT	Price
3/4" x 5/8" x 3/4"	20/35	\$ 68.86
3/4"	15/28	\$ 115.04
3/4" x 3/4" x 1"	10/36	\$ 127.25
3/4" x 1" x 1"	10/40	\$ 144.56
1"	10/32	\$ 161.90
1 1/4"	3/14	\$ 266.41
1 1/4" x 1 1/2" x 1 1/2"	3/24	\$ 289.02
1 1/2"	3/17	\$ 338.18
2"	3/28	\$ 470.43

76102W-55

-55 IP x FNPT



Size	Carton PCS/WT	Price
3/4" x 5/8" x 3/4"	20/34	\$ 68.86
3/4"	15/26	\$ 113.05
3/4" x 3/4" x 1"	10/19	\$ 137.79
3/4" x 1" x 1"	10/40	\$ 144.56
1"	10/32	\$ 160.28

Ball Valves

REGULAR PATTERN - RATED FOR 300 PSIG

A.Y. McDonald Ball Valve Curb Stops maintain their low turning torques and bubble-tight 300 PSIG water pressure rating due to the PTFE coated brass ball that is supported by two blow-out proof EPDM seals. The endpiece joint is sealed with an EPDM o-ring and thread locker. McDonald Ball Curb Stops offer positive shut-off from either direction and are available with a wide variety of end connections.



76101

FNPT x FNPT

Size	Carton PCS/WT	Price
1/2" x 5/8" x 1/2"	20/23	\$ 51.68
3/4" x 5/8" x 3/4"	20/22	\$ 51.68
3/4" x 5/8" x 3/4" x 3.50"	20/26	\$ 56.44
3/4" x 5/8" x 3/4" x 3.75"	20/25	\$ 54.90
3/4" x 3.44"	15/20	\$ 84.10
3/4"	15/20	\$ 84.10
1" x 3/4" x 3/4"	15/21	\$ 90.37
1" x 3/4" x 1"	15/22	\$ 93.78
1" x 3/4" x 1" x 3.5	15/23	\$ 90.37
1" x 3.81"	10/23	\$ 130.69
1"	10/23	\$ 130.69
1 1/4"	8/28	\$ 212.11
1 1/4" x 1" x 1"	10/24	\$ 168.92
1 1/2"	3/14	\$ 267.63
2"	3/21	\$ 391.41
2 1/2" x 2" x 2 1/2"	2/19	\$ 502.17



76101W

FNPT x FNPT, Lockwing

Size	Carton PCS/WT	Price
1/2" x 5/8" x 1/2"	20/23	\$ 55.12
3/4" x 5/8" x 3/4"	20/24	\$ 55.12
3/4" x 5/8" x 3/4" x 2.94"	20/25	\$ 55.12
3/4" x 5/8" x 3/4" x 3.19"	20/26	\$ 58.35
3/4" x 5/8" x 3/4" x 3.38"	20/26	\$ 59.88
3/4" x 5/8" x 3/4" x 3.50"	20/28	\$ 59.88
3/4" x 5/8" x 3/4" x 3.75"	20/29	\$ 58.35
3/4" x 3.44"	15/22	\$ 87.54
3/4" x 3.75"	15/24	\$ 95.03
3/4"	15/21	\$ 87.54
1" x 3/4" x 3/4"	15/21	\$ 93.78
1" x 3/4" x 1"	15/23	\$ 97.30
1" x 3.81"	10/24	\$ 134.17
1" x 4.50"	10/27	\$ 151.35
1"	10/24	\$ 134.16
1 1/4"	8/33	\$ 216.55
1 1/4" x 1" x 1"	10/36	\$ 172.67
1 1/4" x 1" x 1 1/4"	10/29	\$ 184.35
1 1/2"	3/14	\$ 271.44
2"	3/20	\$ 395.23
2 1/2" x 2" x 2 1/2"	2/20	\$ 505.99

76100FDPK

C903 x Female Union Swivel

Size	Carton PCS/WT	Price
3/4"	10/23	\$ 133.90

Ball Valves

REGULAR PATTERN - RATED FOR 300 PSIG

A.Y. McDonald Ball Valve Curb Stops maintain their low turning torques and bubble-tight 300 PSIG water pressure rating due to the PTFE coated brass ball that is supported by two blow-out proof EPDM seals. The endpiece joint is sealed with an EPDM o-ring and thread locker. McDonald Ball Curb Stops offer positive shut-off from either direction and are available with a wide variety of end connections.

76103-22
-22 CTS x Flare



Size	Carton PCS/WT	Price
3/4"	15/33	\$ 104.32
1" x 3/4" x 3/4"	10/31	\$ 125.25
1"	10/36	\$ 157.09

76103Q
Q CTS x Flare



Size	Carton PCS/WT	Price
3/4"	15/34	\$ 104.32
1"	10/37	\$ 157.09

76103-3G
-3G PEP x Flare



Size	Carton PCS/WT	Price
3/4"	10/25	\$ 123.79

76103W-22
-22 CTS x Flare, Lockwing



Size	Carton PCS/WT	Price
1"	10/38	\$ 160.56

76103T
T CTS x Flare



Size	Carton PCS/WT	Price
3/4"	15/35	\$ 104.32
1" x 3/4" x 3/4"	10/31	\$ 125.25
1"	10/36	\$ 157.09

76103-3Q
-3Q PEP x Flare



Size	Carton PCS/WT	Price
3/4"	10/25	\$ 123.79

76103G
G CTS x Flare



Size	Carton PCS/WT	Price
3/4"	15/34	\$ 104.32
1" x 3/4" x 3/4"	10/31	\$ 125.25
1"	10/37	\$ 157.09

Ball Valves

DI-ELECTRIC CONNECTIONS - RATED FOR 300 PSIG

A.Y. McDonald Ball Curb Stops with Di-Electric connection maintain their low turning torques and bubble-tight 300 PSIG water pressure rating due to the PTFE coated brass ball that is supported by two blow-out proof EPDM seals. The endpiece joint is sealed with EPDM o-ring and thread locker. McDonald Ball Curb Stops offer positive shut-off from either direction and are available with a wide variety of end connections. A nylon bushing is available and factory assembled and tested. This nylon bushing is designed to stop the flow of stray electrical current. Many configurations are available, contact factory to design for your requirements.

76100DB

Flare with Di-electric Bushing Flare

Size	Carton PCS/WT	Price
3/4"	15/39	\$ 152.56
1"	10/44	\$ 229.29
1 1/2"	3/28	\$ 542.71
2"	2/33	\$ 906.20

76100DBQ

Q CTS with Di-electric Bushing Q CTS

Size	Carton PCS/WT	Price
3/4"	15/35	\$ 151.12
1"	10/41	\$ 209.88

76100DB-44

-44 PVC with Di-electric Bushing -44 PVC

Size	Carton PCS/WT	Price
2"	2/27	\$ 663.35

76100DB-22

-22 CTS with Di-electric Bushing -22 CTS

Size	Carton PCS/WT	Price
3/4"	15/35	\$ 151.12
1"	10/39	\$ 219.68
1 1/2"	3/24	\$ 473.79
2"	2/26	\$ 652.68

76100DBT

T CTS with Di-electric Bushing T CTS

Size	Carton PCS/WT	Price
3/4"	15/35	\$ 151.12
1"	10/41	\$ 219.68
1 1/2"	3/24	\$ 473.79
2"	2/26	\$ 652.68

76102DB-22

-22 CTS with Di-electric Bushing FNPT

Size	Carton PCS/WT	Price
3/4"	15/30	\$ 139.32

76104DBQ

Minneapolis Pattern

Q CTS with Di-electric Bushing

Size	Carton PCS/WT	Price
3/4"	15/44	\$ 161.01
1"	10/47	\$ 225.28

Ball Valves

REGULAR PATTERN - RATED FOR 300 PSIG - LESS LOCKWING

A.Y. McDonald Ball Valve Curb Stops maintain their low turning torques and bubble-tight 300 PSIG water pressure rating due to the PTFE coated brass ball that is supported by two blow-out proof EPDM seals. The endpiece joint is sealed with an EPDM o-ring and thread locker. McDonald Ball Curb Stops offer positive shut-off from either direction and are available with a wide variety of end connections.

76107
FNPT x MNPT



Size	Carton PCS/WT	Price
3/4"	15/22	\$ 86.64
1"	10/24	\$ 133.46
1 1/4"	8/29	\$ 245.85
1 1/2"	3/14	\$ 308.75
2"	3/23	\$ 464.30

76107G
G CTS x MNPT



Size	Carton PCS/WT	Price
3/4" x 3/4" x 1"	15/29	\$ 134.40
3/4"	15/27	\$ 110.43
1"	10/28	\$ 155.71
1 1/2"	3/17	\$ 354.40
1 1/2" X 1 1/2" X 2"	3/17	\$ 415.44
2"	3/26	\$ 476.48

76107-33
-33 PEP-7 x MNPT



Size	Carton PCS/WT	Price
1"	10/32	\$ 186.06

76107C
Flare x MNPT



Size	Carton PCS/WT	Price
1"	10/31	\$ 157.32
1 1/2"	3/20	\$ 328.71

76107Q
Q CTS x MNPT



Size	Carton PCS/WT	Price
3/4" x 3/4" x 1"	15/29	\$ 134.40
3/4"	15/27	\$ 110.43
1"	10/28	\$ 155.71
1 1/2"	3/17	\$ 354.40
1 1/2" X 1 1/2" X 2"	3/16	\$ 415.44
2"	3/26	\$ 476.48

76107-44
-44 PVC x MNPT



Size	Carton PCS/WT	Price
1"	10/32	\$ 186.06

76107P
MNPT x MNPT



Size	Carton PCS/WT	Price
1"	10/24	\$ 152.13
2"	3/23	\$ 481.45

76107T
T CTS x MNPT



Size	Carton PCS/WT	Price
3/4"	15/27	\$ 110.43
1"	10/27	\$ 155.71
1 1/2"	3/17	\$ 354.40
2"	3/26	\$ 476.48

76107-55
-55 IP x MNPT



Size	Carton PCS/WT	Price
1"	10/32	\$ 186.06

76107-22
-22 CTS x MNPT



Size	Carton PCS/WT	Price
3/4"	15/27	\$ 110.43
1"	10/27	\$ 155.71
1 1/2"	3/17	\$ 354.40
2"	3/26	\$ 476.48

76107REPQ
Q CTS x MNPT



Size	Carton PCS/WT	Price
3/4" x 10.50	10/26	\$ 141.94
1" x 11.12	10/40	\$ 191.93

Ball Valves

REGULAR PATTERN - RATED FOR 300 PSIG - WITH LOCKWING

A.Y. McDonald Ball Valve Curb Stops maintain their low turning torques and bubble-tight 300 PSIG water pressure rating due to the PTFE coated brass ball that is supported by two blow-out proof EPDM seals. The endpiece joint is sealed with an EPDM o-ring and thread locker. McDonald Ball Curb Stops offer positive shut-off from either direction and are available with a wide variety of end connections.

76107W
FNPT x MNPT



Size	Carton PCS/WT	Price
3/4"	15/21	\$ 90.10
3/4" x 5/8" x 3/4"	20/23	\$ 52.98
1"	10/25	\$ 136.98
1 1/2"	3/15	\$ 312.52
2"	3/21	\$ 468.10

76107WG
G CTS x MNPT



Size	Carton PCS/WT	Price
3/4"	2/19	\$ 113.89
1"	2/19	\$ 155.71
1 1/4"	2/19	\$ 246.74
2"	2/19	\$ 480.28

76107WT
T CTS x MNPT



Size	Carton PCS/WT	Price
3/4"	15/27	\$ 113.89
1"	10/29	\$ 155.71
1 1/4"	8/39	\$ 246.74
1 1/4" x 1" x 1 1/4"	10/35	\$ 196.98
2"	2/19	\$ 480.28

76107WP
MNPT x MNPT



Size	Carton PCS/WT	Price
1"	10/25	\$ 155.58
2"	3/23	\$ 484.65

76107WQ
Q CTS x MNPT



Size	Carton PCS/WT	Price
3/4"	15/27	\$ 113.89
1"	10/29	\$ 155.71
1 1/4"	8/39	\$ 246.74
2"	2/19	\$ 480.28

76107W-55
-55 IP x MNPT



Size	Carton PCS/WT	Price
2"	3/30	\$ 583.63

76107W-22
-22 CTS x MNPT



Size	Carton PCS/WT	Price
3/4"	15/27	\$ 113.89
1"	10/29	\$ 155.71
1 1/4" x 1" x 1 1/4"	10/35	\$ 196.98
1 1/4"	8/39	\$ 246.74
2"	2/19	\$ 480.28

Blow-Off Ball Valves

REGULAR PATTERN - RATED FOR 300 PSIG

A.Y. McDonald Ball Valve Curb Stops maintain their low turning torques and bubble-tight 300 PSIG water pressure rating due to the PTFE coated brass ball that is supported by two blow-out proof EPDM seals. The endpiece joint is sealed with an EPDM o-ring and thread locker. McDonald Ball Curb Stops offer positive shut-off from either direction and are available with a wide variety of end connections.



76109B
Flare x MNPT

Size	Carton PCS/WT	Price
1" x 1" x 3/4"	10/29	\$ 175.32
2" x 1 1/2" x 2"	2/21	\$ 640.22



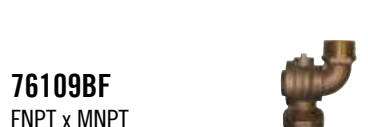
76109B-22
-22 CTS x MNPT

Size	Carton PCS/WT	Price
2" x 1 1/2" x 2"	2/13	\$ 464.73



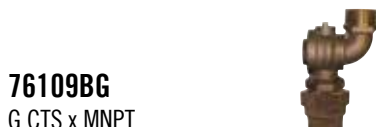
76109BQ
Q CTS x MNPT

Size	Carton PCS/WT	Price
2" x 1 1/2" x 2"	2/12	\$ 464.73



76109BF
FNPT x MNPT

Size	Carton PCS/WT	Price
2" x 1 1/2" x 2"	2/12	\$ 405.91



76109BG
G CTS x MNPT

Size	Carton PCS/WT	Price
2" x 1 1/2" x 2"	2/12	\$ 464.73



76109BT
T CTS x MNPT

Size	Carton PCS/WT	Price
2" x 1 1/2" x 2"	2/8	\$ 464.73

← **6122 2" square operating head (sold separately)**

Removable Cap →

In order to purchase a 76109BT with Removable Cap, you must change the model numbers for example: 76109BT to 76109BCAPT.



76109BCAPF
FNPT x MNPT

Size	Carton PCS/WT	Price
2" x 1 1/2" x 2"	2/12	\$ 430.18



76109BCAP
Flare x MNPT

Size	Carton PCS/WT	Price
1" x 1" x 3/4"	10/32	\$ 197.52
2" x 1 1/2" x 2"	2/21	\$ 664.49



76109BCAPQ
Q CTS x MNPT

Size	Carton PCS/WT	Price
2" x 1 1/2" x 2"	2/13	\$ 489.00

Stop & Drain Ball Valves

RATED FOR 150 PSIG - LESS LOCKWING

A.Y. McDonald Stop & Drain Ball Valves maintain their low turning torques and bubble-tight 150 PSIG water pressure rating due to the PTFE coated brass ball that is supported by two blow-out proof EPDM seals. The endpiece joint is sealed with an EPDM o-ring and thread locker. McDonald Stop and Drain Ball Curb Stops offer positive shut-off from inlet direction only, and are available with a wide variety of end connections.

- All Stop & Drain ball valves are directional.

76000

Flare x Flare



Size	Carton PCS/WT	Price
3/4"	15/36	\$ 137.24
1"	10/38	\$ 179.09
1 1/2"	3/26	\$ 459.13
2"	2/29	\$ 693.45

76000Q

Q CTS x Q CTS



Size	Carton PCS/WT	Price
3/4"	15/32	\$ 135.85
1"	10/34	\$ 190.35
1 1/2"	3/19	\$ 480.53
2"	2/19	\$ 638.55

76000T

T CTS x T CTS



Size	Carton PCS/WT	Price
3/4"	15/32	\$ 135.85
1"	10/35	\$ 190.35
1 1/2"	3/21	\$ 480.53
2"	2/19	\$ 638.55

76000-22

-22 CTS x -22 CTS



Size	Carton PCS/WT	Price
3/4"	10/30	\$ 135.85
1"	10/31	\$ 190.35
1 1/2"	3/20	\$ 480.53
2"	2/20	\$ 638.55

76000QC

Q CTS x Q CTS with check valve on drain



Size	Carton PCS/WT	Price
3/4"	15/35	\$ 240.75
1"	10/34	\$ 295.25

76000-44

-44 PVC x -44 PVC



Size	Carton PCS/WT	Price
1 1/2"	3/23	\$ 467.04

76000G

G CTS x G CTS



Size	Carton PCS/WT	Price
3/4"	15/34	\$ 135.85
1"	10/35	\$ 190.35
1 1/2"	3/19	\$ 480.53
2"	2/19	\$ 638.55

76001

FNPT x FNPT



Size	Carton PCS/WT	Price
3/4"	15/21	\$ 111.73
3/4" x 3.31"	15/23	\$ 111.73
1"	10/24	\$ 158.37
1" x 4.88"	10/27	\$ 158.37
1 1/4"	8/33	\$ 278.29
1 1/2"	3/16	\$ 358.84
2"	2/14	\$ 482.64

76001C

FNPT x FNPT with check valve on drain



Size	Carton PCS/WT	Price
3/4"	15/22	\$ 216.63
1"	10/25	\$ 263.27
1 1/2"	3/18	\$ 463.74
2"	2/16	\$ 587.54

For drain with check valve add "C" to model number, Example: 76001 becomes 76001C
Add \$104.90 to list price

Stop & Drain Ball Valves

RATED FOR 150 PSIG - LESS LOCKWING

A.Y. McDonald Stop & Drain Ball Valves maintain their low turning torques and bubble-tight 150 PSIG water pressure rating due to the PTFE coated brass ball that is supported by two blow-out proof EPDM seals. The endpiece joint is sealed with an EPDM o-ring and thread locker. McDonald Stop and Drain Ball Curb Stops offer positive shut-off from inlet direction only, and are available with a wide variety of end connections.

- All Stop & Drain ball valves are directional.

76002

Flare x FNPT



Size	Carton PCS/WT	Price
3/4"	15/28	\$ 127.06
1 1/4"	8/38	\$ 300.75

76002G

G CTS x FNPT



Size	Carton PCS/WT	Price
3/4"	15/26	\$ 122.64
1"	10/28	\$ 173.55
1 1/4"	8/37	\$ 300.75

76002T

T CTS x FNPT



Size	Carton PCS/WT	Price
3/4"	15/36	\$ 122.64
1"	10/25	\$ 173.55
1 1/4"	8/37	\$ 300.75

76002-22

-22 CTS x FNPT



Size	Carton PCS/WT	Price
3/4"	15/25	\$ 122.64
1"	10/29	\$ 173.55
1 1/4"	8/37	\$ 300.75

76002Q

Q CTS x FNPT



Size	Carton PCS/WT	Price
3/4"	15/26	\$ 122.64
1"	10/28	\$ 173.55
1 1/4"	8/37	\$ 300.75

For drain with check valve add "C" to model number, Example: 7600 becomes 76001C
Add \$104.90 to list price

Stop & Drain Ball Valves

MINNEAPOLIS STYLE - RATED FOR 150 PSIG

A.Y. McDonald Stop & Drain Ball Valves maintain their low turning torques and bubble-tight 150 PSIG water pressure rating due to the PTFE coated brass ball that is supported by two blow-out proof EPDM seals. The endpiece joint is sealed with an EPDM o-ring and thread locker. McDonald Stop and Drain Ball Curb Stops offer positive shut-off from inlet direction only, and are available with a wide variety of end connections or Minneapolis Curb Box Threads.

- All Stop & Drain ball valves are directional.

76004

Flare x Flare



Size	Carton PCS/WT	Price
3/4"	15/41	\$ 147.24
1"	10/41	\$ 189.02
1 1/4"	8/52	\$ 312.10
1 1/2"	3/27	\$ 470.47
2"	2/30	\$ 704.74

76004QC

Q CTS x Q CTS

with check valve on drain



Size	Carton PCS/WT	Price
3/4"	15/40	\$ 250.74
1"	10/40	\$ 305.17

76004GC

G CTS x G CTS

with check valve on drain



Size	Carton PCS/WT	Price
1"	10/40	\$ 305.17

76004-22

-22 CTS x -22 CTS



Size	Carton PCS/WT	Price
3/4"	15/36	\$ 145.84
1"	10/35	\$ 200.27
1 1/2"	3/22	\$ 491.94
2"	2/21	\$ 649.89

76004T

T CTS x T CTS



Size	Carton PCS/WT	Price
3/4"	15/37	\$ 145.84
1"	10/37	\$ 200.27
1 1/2"	3/20	\$ 491.94
2"	2/18	\$ 649.89

76005

FNPT x FNPT



Size	Carton PCS/WT	Price
3/4"	15/28	\$ 121.63
1"	10/25	\$ 168.29
1 1/4"	8/35	\$ 289.63
1 1/2"	3/16	\$ 370.22
2"	2/14	\$ 494.00

76004G

G CTS x G CTS



Size	Carton PCS/WT	Price
3/4"	15/37	\$ 145.84
1"	10/38	\$ 200.27
1 1/4"	8/46	\$ 312.10
1 1/2"	3/20	\$ 491.94
2"	2/20	\$ 649.89

76004-33

-33 PEP-7 x -33 PEP-7



Size	Carton PCS/WT	Price
1 1/2" x 2" x 1 1/2"	2/20	\$ 501.27
2"	1/12	\$ 649.88

76005C

FNPT x FNPT with check valve on drain



Size	Carton PCS/WT	Price
1"	10/27	\$ 273.19
2"	2/16	\$ 598.90

76004Q

Q CTS x Q CTS



Size	Carton PCS/WT	Price
3/4"	15/37	\$ 145.84
1"	10/38	\$ 200.27
1 1/4"	8/46	\$ 312.10
1 1/2"	3/20	\$ 491.94
2"	2/20	\$ 649.89

76004-44

-44 PVC x -44 PVC



Size	Carton PCS/WT	Price
1 1/2"	3/23	\$ 504.15
2"	2/27	\$ 704.74

76006-44

-44 PVC x FNPT



Size	Carton PCS/WT	Price
1 1/2"	3/20	\$ 437.06
2"	2/19	\$ 569.20

For drain with check valve add "C" to model number, Example: 7600 becomes 76001C
Add \$104.90 to list price

Right Open Stop & Drain Ball Valves

RATED FOR 150 PSIG - LESS LOCKWING

A.Y. McDonald Stop & Drain Ball Valves maintain their low turning torques and bubble-tight 150 PSIG water pressure rating due to the PTFE coated brass ball that is supported by two blow-out proof EPDM seals. The endpiece joint is sealed with an EPDM o-ring and thread locker. McDonald Stop and Drain Ball Curb Stops offer positive shut-off from inlet direction only, and are available with a wide variety of end connections.

- All Stop & Drain ball valves are directional.



76070

Flare x Flare



Size	Carton PCS/WT	Price
1 1/2"	3/27	\$ 448.63
2"	2/30	\$ 683.09

76070G

G CTS x G CTS



Size	Carton PCS/WT	Price
3/4"	15/32	\$ 145.20
1"	10/33	\$ 199.71
1 1/2"	3/19	\$ 470.05
2"	2/19	\$ 628.17

76070QC

Q CTS x Q CTS with check valve on drain

Size	Carton PCS/WT	Price
3/4"	15/35	\$ 250.10

76070NE

NE Flare x NE Flare - New England



Size	Carton PCS/WT	Price
3/4"	15/36	\$ 166.07
1"	10/39	\$ 215.26

76070Q

Q CTS x Q CTS



Size	Carton PCS/WT	Price
3/4"	15/32	\$ 145.20
1"	10/35	\$ 199.71
1 1/2"	3/20	\$ 470.05
2"	2/19	\$ 628.17

76071

FNPT x FNPT



Size	Carton PCS/WT	Price
3/4"	15/23	\$ 121.04
1"	10/24	\$ 167.67
1 1/2"	3/16	\$ 348.29
2"	2/14	\$ 472.19

76070-22

-22 CTS x -22 CTS



Size	Carton PCS/WT	Price
3/4"	15/30	\$ 145.20
1"	10/33	\$ 199.71
1 1/2"	3/21	\$ 470.05
2"	2/21	\$ 628.17

76070T

T CTS x T CTS



Size	Carton PCS/WT	Price
3/4"	15/32	\$ 145.20
1"	10/33	\$ 199.71
1 1/2"	3/19	\$ 470.05
2"	2/19	\$ 628.17

For drain with check valve add "C" to model number, Example: 7600 becomes 76001C
Add \$104.90 to list price

Right Open Ball Valves

(NOT STOP & DRAIN) RATED FOR 300 PSIG

A.Y. McDonald Ball Valve Curb Stops maintain their low turning torques and bubble-tight 300 PSIG water pressure rating due to the PTFE coated brass ball that is supported by two blow-out proof EPDM seals. The endpiece joint is sealed with an EPDM o-ring and thread locker. McDonald Ball Curb Stops offer positive shut-off from either direction and are available with a wide variety of end connections.



76170

Flare x Flare



Size	Carton PCS/WT	Price
1 1/4" x 1" x 1 1/4"	5/29	\$ 220.23
1 1/2"	3/25	\$ 383.44
2"	2/28	\$ 617.91

76170-22-55

-22 CTS x -55 IP



Size	Carton PCS/WT	Price
1"	10/37	\$ 213.90

76170T

T CTS x T CTS



Size	Carton PCS/WT	Price
3/4"	15/30	\$ 127.82
1"	10/32	\$ 178.13
1 1/2"	3/18	\$ 404.88
2"	2/17	\$ 562.99

76170NE

NE Flare x NE Flare - New England



Size	Carton PCS/WT	Price
3/4"	15/36	\$ 144.49
1"	10/39	\$ 193.68

76170G

G CTS x G CTS



Size	Carton PCS/WT	Price
3/4"	15/32	\$ 123.62
1"	10/34	\$ 178.13
1 1/2"	3/19	\$ 404.88
2"	2/19	\$ 562.99

76171

FNPT x FNPT



Size	Carton PCS/WT	Price
3/4"	15/20	\$ 99.46
1"	10/24	\$ 146.09
1 1/4" x 1" x 1 1/4"	10/27	\$ 180.48
1 1/2"	3/14	\$ 283.12
2"	3/23	\$ 407.01

76170-22

-22 CTS x -22 CTS



Size	Carton PCS/WT	Price
3/4"	15/30	\$ 127.82
1"	10/31	\$ 182.31
1 1/2"	3/20	\$ 404.88
2"	2/21	\$ 672.39

76170Q

Q CTS x Q CTS



Size	Carton PCS/WT	Price
3/4"	15/32	\$ 123.62
1"	10/34	\$ 178.13
1 1/2"	3/19	\$ 404.88
2"	2/19	\$ 562.99

Ball Valves

MINNEAPOLIS PATTERN - RATED FOR 300 PSIG

A.Y. McDonald Ball Valve Curb Stops maintain their low turning torques and bubble-tight 300 PSIG water pressure rating due to the PTFE coated brass ball that is supported by two blow-out proof EPDM seals. The endpiece joint is sealed with an EPDM o-ring and thread locker. McDonald Ball Curb Stops offer positive shut-off from either direction and are available with a wide variety of end connections or Minneapolis Curb Box Threads.

76104

Flare x Flare



Size	Carton PCS/WT	Price
3/4"	15/39	\$ 119.59
1" x 3/4" x 3/4"	10/30	\$ 129.32
1" x 3/4" x 1"	10/32	\$ 138.41
1"	10/40	\$ 161.39
1 1/4" x 1" x 1"	10/39	\$ 215.51
1 1/4" x 1" x 1 1/4"	5/27	\$ 235.32
1 1/4"	8/52	\$ 269.30
1 1/2"	3/27	\$ 379.25
2"	2/29	\$ 613.57

76104G

G CTS x G CTS



Size	Carton PCS/WT	Price
3/4"	15/36	\$ 118.24
1" x 3/4" x 3/4"	10/26	\$ 127.42
1" x 3/4" x 1"	10/30	\$ 147.49
1"	10/37	\$ 172.65
1 1/4" x 1" x 1 1/4"	10/44	\$ 235.32
1 1/4"	8/44	\$ 269.30
1 1/2"	3/20	\$ 400.66
2"	2/18	\$ 558.70

76104-33-44

-33 PEP-7 x -44 PVC



Size	Carton PCS/WT	Price
1"	8/42	\$ 219.46

76104-3G

-3G PEP x -3G PEP



Size	Carton PCS/WT	Price
3/4"	10/31	\$ 147.49
1"	8/35	\$ 219.46

76104-22

-22 CTS x -22 CTS



Size	Carton PCS/WT	Price
3/4"	15/33	\$ 118.19
1" x 3/4" x 3/4"	10/25	\$ 127.42
1" x 3/4" x 1"	10/27	\$ 147.49
1"	10/34	\$ 172.65
1 1/4" x 1" x 1"	10/41	\$ 226.29
1 1/4" x 1" x 1 1/4"	8/36	\$ 235.32
1 1/4"	8/43	\$ 269.30
1 1/2"	3/21	\$ 400.66
2"	2/22	\$ 558.70

76104Q

Q CTS x Q CTS



Size	Carton PCS/WT	Price
3/4"	15/36	\$ 118.24
1" x 3/4" x 3/4"	10/26	\$ 127.42
1" x 3/4" x 1"	10/30	\$ 147.49
1"	10/37	\$ 172.65
1 1/4" x 1" x 1 1/4"	10/44	\$ 235.32
1 1/4"	8/44	\$ 269.30
1 1/2"	3/20	\$ 400.66
2"	2/18	\$ 558.70

76104-3Q

-3Q PEP x -3Q PEP



Size	Carton PCS/WT	Price
3/4"	10/31	\$ 147.49
1"	8/35	\$ 219.46

76104-22-33

-22 CTS x -33 PEP-7



Size	Carton PCS/WT	Price
3/4"	10/25	\$ 138.38
1"	8/31	\$ 204.18

76104T

T CTS x T CTS



Size	Carton PCS/WT	Price
3/4"	15/35	\$ 118.19
1" x 3/4" x 3/4"	10/32	\$ 127.42
1" x 3/4" x 1"	10/34	\$ 147.49
1"	10/35	\$ 176.65
1 1/4" x 1" x 1"	10/43	\$ 226.29
1 1/4" x 1" x 1 1/4"	8/37	\$ 235.32
1 1/4"	8/44	\$ 269.30
1 1/2"	3/20	\$ 400.66
2"	2/18	\$ 558.70

76104-44

-44 PVC x -44 PVC



Size	Carton PCS/WT	Price
3/4"	10/28	\$ 147.49
3/4" x 1" x 1"	10/50	\$ 182.96
1"	8/36	\$ 219.46
1 1/4"	3/22	\$ 342.81
1 1/2"	3/23	\$ 412.97
2"	2/26	\$ 613.57

76104-22-44

-22 CTS x -44 PVC



Size	Carton PCS/WT	Price
3/4"	10/25	\$ 138.38
1"	10/38	\$ 204.18

76104-33

-33 PEP-7 x -33 PEP-7



Size	Carton PCS/WT	Price
3/4"	10/28	\$ 147.49
3/4" x 1" x 1"	10/38	\$ 182.96
1"	8/35	\$ 219.46
1 1/4"	8/54	\$ 318.36
1 1/2" x 2" x 1 1/2"	2/26	\$ 415.64
2"	2/24	\$ 635.74

76104-55

-55 IP x -55 IP



Size	Carton PCS/WT	Price
3/4"	10/28	\$ 144.82
3/4" x 1" x 1"	10/50	\$ 193.28
1"	8/37	\$ 217.34
2"	2/24	\$ 583.50

Ball Valves

MINNEAPOLIS PATTERN - RATED FOR 300 PSIG

A.Y. McDonald Ball Valve Curb Stops maintain their low turning torques and bubble-tight 300 PSIG water pressure rating due to the PTFE coated brass ball that is supported by two blow-out proof EPDM seals. The endpiece joint is sealed with an EPDM o-ring and thread locker. McDonald Ball Curb Stops offer positive shut-off from either direction and are available with a wide variety of end connections or Minneapolis Curb Box Threads.

76105

FNPT x FNPT



Size	Carton PCS/WT	Price
3/4"	15/23	\$ 94.07
1"	10/25	\$ 140.62
1 1/4" x 1" x 1 1/4"	10/31	\$ 191.89
1 1/4"	8/31	\$ 224.45
1 1/2"	3/14	\$ 279.00
2"	3/20	\$ 402.82

76106Q

Q CTS x FNPT



Size	Carton PCS/WT	Price
3/4"	15/29	\$ 104.92
1"	10/30	\$ 155.86
1" x 1" x 1 1/4"	10/50	\$ 228.99
1 1/4" x 1" x 1"	10/34	\$ 202.04
1 1/4"	8/36	\$ 246.92
1 1/2"	3/19	\$ 329.20
2"	3/27	\$ 453.31

76106-3G

-3G PEP x FNPT



Size	Carton PCS/WT	Price
3/4"	10/24	\$ 121.45
1"	10/33	\$ 168.32

76106

Flare x FNPT



Size	Carton PCS/WT	Price
3/4"	15/31	\$ 109.33
1"	10/32	\$ 150.30
1 1/4" x 1" x 1"	10/40	\$ 202.04
1 1/4"	8/41	\$ 246.92
1 1/2"	3/23	\$ 329.20
2"	3/33	\$ 478.03

76106T

T CTS x FNPT



Size	Carton PCS/WT	Price
3/4"	15/36	\$ 104.92
1"	10/29	\$ 155.86
1" x 1" x 1 1/4"	10/41	\$ 228.99
1 1/4" x 1" x 1"	10/32	\$ 202.04
1 1/2"	5/28	\$ 329.20
2"	3/27	\$ 453.31

76106-3Q

-3Q PEP x FNPT



Size	Carton PCS/WT	Price
3/4"	10/24	\$ 121.45
1"	10/33	\$ 168.32

76106-22

-22 CTS x FNPT



Size	Carton PCS/WT	Price
3/4"	15/29	\$ 104.92
1"	10/28	\$ 155.86
1" x 1" x 1 1/4"	10/50	\$ 228.99
1 1/4"	8/36	\$ 246.92
1 1/4" x 1" x 1"	10/41	\$ 202.04
1 1/2"	3/19	\$ 329.20
2"	3/26	\$ 453.31

76106-33

-33 PEP-7 x FNPT



Size	Carton PCS/WT	Price
3/4"	10/22	\$ 121.45
3/4" x 3/4" x 1"	15/53	\$ 133.64
1"	10/40	\$ 168.32
1 1/4"	8/42	\$ 274.47
1 1/2"	3/19	\$ 357.35
2"	3/30	\$ 540.86

76106-44

-44 PVC x FNPT



Size	Carton PCS/WT	Price
3/4"	10/22	\$ 121.45
3/4" x 3/4" x 1"	15/53	\$ 133.64
1"	10/40	\$ 168.32
1 1/4"	8/42	\$ 274.41
1 1/2"	3/19	\$ 345.88
2"	3/30	\$ 478.03

76106G

G CTS x FNPT



Size	Carton PCS/WT	Price
3/4"	15/29	\$ 104.92
1"	6/30	\$ 155.86
1 1/4"	8/36	\$ 246.92
1 1/4" x 1" x 1"	10/34	\$ 202.04
1 1/2"	3/19	\$ 329.20
2"	3/27	\$ 453.31

76106-55

-55 IP x FNPT



Size	Carton PCS/WT	Price
3/4"	10/21	\$ 119.57
3/4" x 3/4" x 1"	15/53	\$ 144.25
1"	10/34	\$ 166.76
2"	3/34	\$ 514.84

Ball Valves

MINNEAPOLIS PATTERN - RATED FOR 300 PSIG

A.Y. McDonald Ball Valve Curb Stops maintain their low turning torques and bubble-tight 300 PSIG water pressure rating due to the PTFE coated brass ball that is supported by two blow-out proof EPDM seals. The endpiece joint is sealed with an EPDM o-ring and thread locker. McDonald Ball Curb Stops offer positive shut-off from either direction and are available with a wide variety of end connections or Minneapolis Curb Box Threads.

76108-22 -22 CTS x Flare



Size	Carton PCS/WT	Price
3/4"	15/37	\$ 128.79
1"	10/37	\$ 167.17
1 1/2"	3/25	\$ 382.76
2"	2/24	\$ 532.04

76108-33 -33 PEP-7 x Flare



Size	Carton PCS/WT	Price
1 1/2"	3/29	\$ 407.73

76109 FNPT x MNPT



Size	Carton PCS/WT	Price
3/4"	15/30	\$ 96.65
1"	10/30	\$ 143.40
1 1/2"	3/17	\$ 320.09
2"	3/22	\$ 475.67

Inverted Plug Valves

REGULAR PATTERN - PRESSURE RATINGS ARE: 100 PSIG FOR 3/4" 1"

Inverted Plug style valves have the large diameter of the plug at the bottom of the valve. The plug is held in position by the bottom cap which also contains a treated leather gasket. A channel is cast into the Inlet side of the valve body to allow water at the main pressure to go under the plug, exerting an upward pressure on the plug which reseats it after cycling.

To cycle the valve, hit down on the top of the plug or rod. This forces the plug down slightly, breaking the plug away from the body taper, thus lowering the turning torque momentarily (the leather gasket in the bottom cap absorbs the blow). Water pressure from the main then reseats the plug. The valve must be placed on a brick or other solid foundation to properly support the valve when it is hit to lower turning torque. Most styles of end connections are available as well as Minneapolis Pattern Curb Box Threads.

- All valves are directional



73061
FNPT x FNPT

Size	Carton PCS/WT	Price
3/4"	15/32	\$ 66.28
1"	10/42	\$ 115.75



74713-22
-22 CTS x -22 CTS

Size	Carton PCS/WT	Price
3/4"	10/30	\$ 96.01
1"	5/25	\$ 148.27



74713T
T CTS x T CTS

Size	Carton PCS/WT	Price
3/4"	10/30	\$ 96.01
1"	5/26	\$ 148.27



74711
Flare x FNPT

Size	Carton PCS/WT	Price
3/4"	10/27	\$ 75.92
1"	5/24	\$ 132.64



74713G
G CTS x G CTS

Size	Carton PCS/WT	Price
3/4"	10/30	\$ 96.01
1"	5/26	\$ 148.27



74713
Flare x Flare

Size	Carton PCS/WT	Price
3/4"	10/32	\$ 87.25
1"	5/28	\$ 145.26



74713Q
Q CTS x Q CTS

Size	Carton PCS/WT	Price
3/4"	10/30	\$96.01
1"	5/27	\$ 148.27

Inverted And Tapered Plug Valves

MINNEAPOLIS PATTERN - PRESSURE RATINGS ARE: 100 PSIG FOR 3/4" 1" AND 80 PSIG FOR 1 1/4", 1 1/2", 2"

Inverted Plug style valves have the large diameter of the plug at the bottom of the valve. The plug is held in position by the bottom cap which also contains a treated leather gasket. A channel is cast into the Inlet side of the valve body to allow water at the main pressure to go under the plug, exerting an upward pressure on the plug which reseats it after cycling.

To cycle the valve, hit down on the top of the plug or rod. This forces the plug down slightly, breaking the plug away from the body taper, thus lowering the turning torque momentarily (the leather gasket in the bottom cap absorbs the blow). Water pressure from the main then reseats the plug. The valve must be placed on a brick or other solid foundation to properly support the valve when it is hit to lower turning torque. Most styles of end connections are available as well as Minneapolis Pattern Curb Box Threads.

- All valves are directional

Minneapolis Style

73081

FNPT x FNPT



Size	Carton PCS/WT	Price
3/4"	15/33	\$ 93.71
1"	10/43	\$ 138.76

74717

Flare x Flare



Size	Carton PCS/WT	Price
3/4"	10/32	\$ 99.75
1"	5/29	\$ 157.77

74717-22

-22 CTS x -22 CTS



Size	Carton PCS/WT	Price
3/4"	10/29	\$ 108.72
1"	5/28	\$ 160.63

74717G

G CTS x G CTS

Size	Carton PCS/WT	Price
3/4"	10/29	\$ 108.72
1"	5/28	\$ 160.63

74717Q

Q CTS x Q CTS

Size	Carton PCS/WT	Price
3/4"	10/29	\$ 108.72
1"	5/28	\$ 160.63

74717T

T CTS x T CTS

Size	Carton PCS/WT	Price
3/4"	10/29	\$ 108.72
1"	5/27	\$ 160.63

Tapered Plug



79711W

FNPT x FNPT x FNPT - Square Head

Size	Carton PCS/WT	Price
1/2"	25/21	\$ 69.51
3/4"	12/20	\$ 106.95
1"	10/27	\$ 141.92
1 1/4"	10/44	\$ 215.62
1 1/2"	6/30	\$ 257.55
2"	3/25	\$ 357.55

79802W

FNPT x FNPT - Square Head



Size	Carton PCS/WT	Price
1/2"	50/35	\$ 62.59
3/4"	50/52	\$ 65.74
1"	25/43	\$ 94.12
1 1/4"	15/37	\$ 146.46
1 1/2"	10/33	\$ 194.42
2"	5/36	\$ 301.92
2 1/2"	3/32	\$ 626.84

74723

Flare x Flare Tapered Plug Valve

Size	Carton PCS/WT	Price
3/4"	10/28	\$ 94.32
1"	10/41	\$ 154.14
1 1/4"	5/43	\$ 383.19
1 1/2"	3/40	\$ 521.02
2"	1/24	\$ 862.65

Full Port Angle

CURB VALVES

A.Y. McDonald Ball Valve Curb Stops maintain their low turning torques and bubble-tight 300 PSIG water pressure rating due to the PTFE coated brass ball that is supported by two blow-out proof EPDM seals. McDonald Ball Curb Stops offer positive shut-off from either direction and are available with a wide variety of end connections.

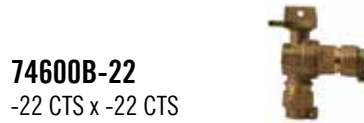
- 360° turn available, contact factory.
- Operating head includes lockwing.



74600B

Flare x Flare

Size	Carton PCS/WT	Price
3/4"	10/23	\$ 118.91
1"	10/43	\$ 178.57



74600B-22

-22 CTS x -22 CTS

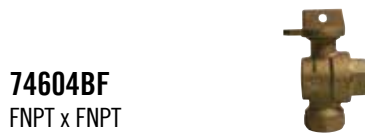
Size	Carton PCS/WT	Price
3/4"	10/20	\$ 135.48
1"	10/26	\$ 188.74



74600BT

T CTS x T CTS

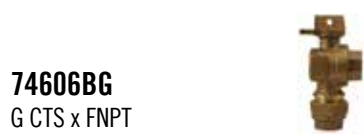
Size	Carton PCS/WT	Price
3/4"	10/21	\$ 135.48
1"	10/37	\$ 188.74



74604BF

FNPT x FNPT

Size	Carton PCS/WT	Price
3/4"	15/22	\$ 103.50
1"	10/23	\$ 153.58
2"	4/32	\$ 415.67



74606BG

G CTS x FNPT

Size	Carton PCS/WT	Price
3/4"	10/16	\$ 114.91
1"	10/29	\$ 170.16
2"	2/17	\$ 460.41



74606B-44

-44 PVC x FNPT

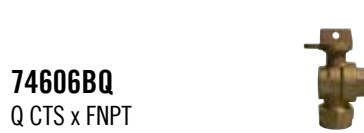
Size	Carton PCS/WT	Price
2"	4/40	\$ 584.22



74606B

Flare x FNPT

Size	Carton PCS/WT	Price
3/4"	10/17	\$ 111.35
1"	10/30	\$ 165.93



74606BQ

Q CTS x FNPT

Size	Carton PCS/WT	Price
3/4"	10/16	\$ 114.91
1"	10/29	\$ 170.16
2"	2/17	\$ 460.41



74606BP-22

-22 CTS x MNPT

Size	Carton PCS/WT	Price
3/4"	10/17	\$ 118.11



74606B-22

-22 CTS x FNPT

Size	Carton PCS/WT	Price
3/4"	10/17	\$ 114.91
1"	10/27	\$ 170.16
1 1/2" x 1" x 1"	10/40	\$ 252.66
2"	2/20	\$ 460.41



74606BT

T CTS x FNPT

Size	Carton PCS/WT	Price
3/4"	10/16	\$ 114.91
1"	10/24	\$ 170.16
2"	2/20	\$ 460.41



74608B

FNPT x Flare

Size	Carton PCS/WT	Price
3/4"	10/19	\$ 111.35
1"	10/53	\$ 165.22



74608B-22

FNPT x -22 CTS

Size	Carton PCS/WT	Price
3/4"	15/26	\$ 107.46
1"	10/29	\$ 174.62



74608BT

FNPT x T CTS

Size	Carton PCS/WT	Price
3/4"	15/29	\$ 107.46
1"	10/31	\$ 174.42

Angle Curb Valves

PLUG STYLE - RATED FOR 100 PSIG

- All plug valves are directional and operate 180° open/close.

74604F

FNPT x FNPT



Size	Carton PCS/WT	Price
3/4"	25/29	\$ 44.52

74606-22

-22 CTS x FNPT

Size	Carton PCS/WT	Price
3/4"	25/29	\$ 59.92
1"	10/23	\$ 101.03

74606Q

Q CTS x FNPT

Size	Carton PCS/WT	Price
3/4"	25/23	\$ 59.92

74606

Copper Flare x FNPT

Size	Carton PCS/WT	Price
3/4"	25/38	\$ 54.79
1"	20/51	\$ 87.29

74606G

G CTS x FNPT

Size	Carton PCS/WT	Price
3/4"	25/29	\$ 59.92
1"	10/23	\$ 101.03

74606T

T CTS x FNPT

Size	Carton PCS/WT	Price
3/4"	25/23	\$ 59.92
1"	10/23	\$ 101.03

Reduced Port Angle

CURB VALVES - RATED FOR 300 PSIG

- 360° turn available, contact factory.

- Operating head includes lockwing.

74640B

Flare x Flare



Size	Carton PCS/WT	Price
3/4"	20/42	\$ 71.20
1" x 3/4"	20/43	\$ 140.33
1"	10/24	\$ 144.78

74640BG

G CTS x G CTS



Size	Carton PCS/WT	Price
3/4"	20/39	\$ 90.10
1"	10/28	\$ 153.76

74640BT

T CTS x T CTS



Size	Carton PCS/WT	Price
3/4"	20/42	\$ 90.10
1" x 3/4"	20/43	\$ 146.09
1"	10/27	\$ 153.76

74640B-22

-22 CTS x -22 CTS



Size	Carton PCS/WT	Price
3/4"	20/35	\$ 90.10
1" x 3/4"	20/42	\$ 146.09
1"	10/26	\$ 153.76

74640BQ

Q CTS x Q CTS



Size	Carton PCS/WT	Price
3/4"	20/39	\$ 90.10
1"	10/28	\$ 153.76

Reduced Port Angle

CURB VALVES - RATED FOR 300 PSIG

- 360° turn available, contact factory.
- Operating head includes lockwing.



74644BF
FNPT x FNPT

Size	Carton PCS/WT	Price
3/4"	20/25	\$ 58.20
1"	10/18	\$ 112.83
1 1/4"	10/33	\$ 179.27



74646BT
T CTS x FNPT

Size	Carton PCS/WT	Price
3/4"	20/31	\$ 69.57
1" x 3/4"	20/35	\$ 91.25
1"	10/22	\$ 119.74



74648B
FNPT x Flare

Size	Carton PCS/WT	Price
3/4"	20/39	\$ 60.99
1"	10/33	\$ 125.21



74646B
Copper Flare x FNPT

Size	Carton PCS/WT	Price
3/4"	20/33	\$ 65.93
1" x 3/4"	20/39	\$ 87.60
1"	10/23	\$ 129.72



74646B-33
-33 PEP-7 x FNPT

Size	Carton PCS/WT	Price
3/4"	20/36	\$ 119.74



74648B-22
FNPT x -22 CTS

Size	Carton PCS/WT	Price
3/4"	20/15	\$ 69.57
1"	10/23	\$ 160.25



74646B-22
-22 CTS x FNPT

Size	Carton PCS/WT	Price
3/4"	20/30	\$ 69.57
1" x 3/4"	20/35	\$ 91.25
1"	10/20	\$ 119.74



74646B-44
-44 PVC x FNPT

Size	Carton PCS/WT	Price
3/4"	20/35	\$ 119.74



74648BT
FNPT x T CTS

Size	Carton PCS/WT	Price
3/4"	20/36	\$ 69.57
1"	10/24	\$ 160.25



74646BG
G CTS x FNPT

Size	Carton PCS/WT	Price
1"		\$ 119.74



74646B-55
-55 IP x FNPT

Size	Carton PCS/WT	Price
3/4"	20/33	\$ 119.74



Curb Boxes

Water Works Catalog / Price List - July 2017

MORE THAN A BRAND. WE'RE A FAMILY.

Small Arch Pattern Base

FOR USE WITH AYMCDONALD 3/4" AND 1" CURB STOPS

5601

- 1" I.D. Upper Section
- Includes 5660 stationary rod
- 5601L - Two hole Erie Lid



5601

1" Upper with Rod

Size	Carton PCS/WT	Price
2 1/2	1/11	\$ 53.96
3	1/12	\$ 56.63
3 1/2	1/13	\$ 60.24
4	1/14	\$ 63.81
4 1/2	1/15	\$ 66.61
5	1/16	\$ 69.54
5 1/2	1/17	\$ 72.29
6	1/20	\$ 76.74
6 1/2	1/19	\$ 79.70
7	1/20	\$ 82.45
7 1/2	1/22	\$ 87.10
8	1/22	\$ 90.19
8 1/2	1/23	\$ 94.85

5601LR

1" Upper L/Rod

Size	Carton PCS/WT	Price
2 1/2	100/975	\$ 43.89
3	100/1025	\$ 45.78
3 1/2	100/1075	\$ 48.25
4	100/1135	\$ 50.25
4 1/2	100/1220	\$ 52.15
5	100/1280	\$ 54.12
5 1/2	100/1355	\$ 55.86
6	100/1400	\$ 59.12
6 1/2	100/1500	\$ 60.19
7	100/1600	\$ 62.27
7 1/2	100/1600	\$ 65.79
8	100/1690	\$ 67.85
8 1/2	100/1795	\$ 71.40

5604

- 1 1/4" I.D. Upper Section
- Shut-off rod available
- 5614L Lid - with 1 1/4" brass pentagon plug



5604

1 1/4" Upper L/Rod

Size	Carton PCS/WT	Price
2 1/2	100/1145	\$ 53.80
3	100/1205	\$ 53.80
3 1/2	100/1320	\$ 56.17
4	100/1418	\$ 58.50
4 1/2	100/1500	\$ 60.97
5	100/1600	\$ 63.48
5 1/2	100/1685	\$ 66.01
6	100/1790	\$ 68.87
6 1/2	100/1862	\$ 71.68
7	100/1945	\$ 74.16
7 1/2	100/2060	\$ 77.36
8	100/2850	\$ 79.92

5601A - American Made

1" Upper with Rod

Size	Carton PCS/WT	Price
2 1/2	1/11	\$ 57.74
3	1/12	\$ 60.58
3 1/2	1/13	\$ 64.45
4	1/14	\$ 68.27
4 1/2	1/15	\$ 71.28
5	1/16	\$ 74.41
5 1/2	1/17	\$ 77.36
6	1/18	\$ 82.11
6 1/2	1/19	\$ 85.29
7	1/20	\$ 88.22
7 1/2	1/21	\$ 93.20
8	1/22	\$ 96.51
8 1/2	1/23	\$ 101.49

5601ALR - American Made

1" Upper L/Rod

Size	Carton PCS/WT	Price
2 1/2	100/975	\$ 46.96
3	100/1070	\$ 49.33
3 1/2	100/1075	\$ 51.64
4	100/1215	\$ 53.77
4 1/2	100/1280	\$ 55.79
5	100/1355	\$ 57.91
5 1/2	100/1425	\$ 59.76
6	100/1500	\$ 63.26
6 1/2	100/1500	\$ 64.41
7	100/1600	\$ 66.62
7 1/2	100/1600	\$ 70.39
8	100/1690	\$ 72.60
8 1/2	100/1880	\$ 76.39



NOTES

- Order by model number and maximum extended lengths from 2 1/2' thru 10' (in 6" increments). Example: 5603 8 1/2'
- When rods are furnished with Curb Boxes, they are 18" shorter than maximum extended length of Curb Box.
- All Curb Boxes telescope one foot. Lengths shown are at maximum extension:
Example: A 5' Curb Box can be used at depths ranging from 4' to 5'.
- Shut Off Rods (page 165) and Available Lid Options (page 164)

Small Arch Pattern Base

FOR USE WITH AY MCDONALD 3/4" AND 1" CURB STOPS

5605

- 1 1/2" I.D. Upper Section
- Shut-off rod available
- **5623L Lid - with 1 1/2" brass pentagon plug**



5623L

5607

- 1" I.D. Upper Section
- Includes 5660 stationary rod
- **5607L Lid - with 1" brass pentagon plug**



5607L

5605

1 1/2" Upper L/Rod

Size	Carton PCS/WT	Price
2 1/2	100/1300	\$ 65.55
3	100/1400	\$ 68.82
3 1/2	100/1445	\$ 72.13
4	100/1540	\$ 74.43
4 1/2	100/1620	\$ 77.28
5	100/1730	\$ 80.80
5 1/2	100/1855	\$ 82.75
6	100/2000	\$ 85.60
6 1/2	100/2100	\$ 89.00
7	100/2200	\$ 92.60
7 1/2	50/1150	\$ 96.18
8	50/1200	\$ 99.02

5607

1" Upper with Rod

Size	Carton PCS/WT	Price
2 1/2	1/10	\$ 60.28
3	1/13	\$ 64.90
3 1/2	1/14	\$ 68.56
4	1/15	\$ 72.04
4 1/2	1/16	\$ 74.93
5	1/17	\$ 77.86
5 1/2	1/18	\$ 80.66
6	1/19	\$ 85.02
6 1/2	1/20	\$ 88.03
7	1/21	\$ 90.73
7 1/2	1/22	\$ 91.69
8	1/23	\$ 98.50

5607LR

1" Upper L/Rod

Size	Carton PCS/WT	Price
2 1/2	100/987	\$ 50.22
3	100/1125	\$ 54.04
3 1/2	100/1125	\$ 56.58
4	100/1205	\$ 58.50
4 1/2	100/1275	\$ 60.46
5	100/1325	\$ 62.39
5 1/2	100/1400	\$ 64.24
6	100/1480	\$ 67.34
6 1/2	100/1475	\$ 68.54
7	100/1640	\$ 70.57
7 1/2	100/1685	\$ 72.95
8	100/1750	\$ 76.11

5605C

For 5605 with Cast Iron Plug
Deduct \$6.26 from 5605 and add "C"
to model number

5607A - American Made

1" Upper with Rod

Size	Carton PCS/WT	Price
2 1/2	1/10	\$ 61.48
3	1/13	\$ 66.20
3 1/2	1/14	\$ 69.62
4	1/15	\$ 73.47
4 1/2	1/16	\$ 76.43
5	1/17	\$ 79.42
5 1/2	1/18	\$ 82.26
6	1/19	\$ 86.73
6 1/2	1/20	\$ 89.78
7	1/21	\$ 92.55
7 1/2	1/22	\$ 93.51
8	1/23	\$ 100.47

5607ALR - American Made

1" Upper L/Rod

Size	Carton PCS/WT	Price
2 1/2	100/987	\$ 51.23
3	100/1125	\$ 55.12
3 1/2	100/1195	\$ 57.72
4	100/1265	\$ 59.67
4 1/2	100/1340	\$ 61.66
5	100/1395	\$ 63.65
5 1/2	100/1485	\$ 65.53
6	100/1565	\$ 68.68
6 1/2	100/1628	\$ 69.90
7	100/1725	\$ 72.16
7 1/2	100/1750	\$ 74.41
8	100/1840	\$ 77.63



NOTES

- Order by model number and maximum extended lengths from 2 1/2' thru 10' (in 6" increments). Example: 5603 8 1/2'
- When rods are furnished with Curb Boxes, they are 18" shorter than maximum extended length of Curb Box.
- All Curb Boxes telescope one foot. Lengths shown are at maximum extension:
Example: A 5' Curb Box can be used at depths ranging from 4' to 5'.
- **Shut Off Rods (page 165) and Available Lid Options (page 164)**

Large Arch Pattern Base

FOR USE WITH AY MCDONALD 1 1/4", 1 1/2" AND 2" CURB STOPS

5600

- 1 1/4" I.D. Upper Section
- Shut-off rod available
- 5614L Lid - with 1 1/4" brass pentagon plug



5603

- 1" I.D. Upper Section
- Includes 5674 stationary rod
- 5601L - Two hole Erie Lid



5600

1 1/4" Upper L/Rod

Size	Carton PCS/WT	Price
3	111/1899	\$ 78.29
3 1/2	100/1790	\$ 80.80
4	100/1890	\$ 85.01
4 1/2	100/1985	\$ 87.47
5	100/2072	\$ 88.06
5 1/2	100/2140	\$ 90.42
6	100/2200	\$ 92.96
6 1/2	100/2335	\$ 95.10
7	100/2460	\$ 97.52
7 1/2	100/2550	\$ 100.45
8	100/2612	\$ 103.24

5603

1" Upper with Rod

Size	Carton PCS/WT	Price
2 1/2	1/17	\$ 85.92
3	1/18	\$ 89.16
3 1/2	1/19	\$ 92.77
4	1/20	\$ 98.56
4 1/2	1/21	\$ 101.94
5	1/22	\$ 103.48
5 1/2	1/23	\$ 106.83
6	1/24	\$ 110.57
6 1/2	1/25	\$ 114.61
7	1/26	\$ 117.70
7 1/2	1/27	\$ 121.75
8	1/28	\$ 125.58

5603LR

1" Upper L/Rod

Size	Carton PCS/WT	Price
2 1/2	50/781	\$ 75.84
3	50/806	\$ 78.31
3 1/2	50/831	\$ 80.80
4	50/856	\$ 85.01
4 1/2	50/881	\$ 87.47
5	50/906	\$ 88.06
5 1/2	50/1000	\$ 90.42
6	50/1018	\$ 92.96
6 1/2	50/981	\$ 95.10
7	50/1006	\$ 97.52
7 1/2	50/1031	\$ 100.45
8	50/1056	\$ 103.24

5602

- 1" I.D. Upper Section
- Includes 5674 stationary rod
- 5607L Lid - with 1" brass pentagon plug
- For use with A.Y. McDonald 1 1/4", 1 1/2" and 2" curb stops



5606

- 2" I.D. Upper Section
- Shut-off rod available
- 5624L Lid - with 2" brass pentagon plug
- For use with A.Y. McDonald 1 1/4", 1 1/2" and 2" curb stops



5602

1" Upper with Rod

Size	Carton PCS/WT	Price
2 1/2	1/18	\$ 85.92
3	1/19	\$ 89.16
3 1/2	1/20	\$ 92.77
4	1/21	\$ 98.56
4 1/2	1/22	\$ 101.94
5	1/23	\$ 103.48
5 1/2	1/24	\$ 106.83
6	1/25	\$ 110.57
6 1/2	1/26	\$ 114.61
7	1/28	\$ 117.70
7 1/2	1/28	\$ 121.75
8	1/29	\$ 125.58

5602LR

1" Upper L/Rod

Size	Carton PCS/WT	Price
2 1/2	50/813	\$ 75.84
3	50/850	\$ 78.31
3 1/2	50/869	\$ 80.80
4	50/910	\$ 85.01
4 1/2	50/945	\$ 87.47
5	50/988	\$ 88.06
5 1/2	50/1030	\$ 90.42
6	50/1060	\$ 92.96
6 1/2	50/1095	\$ 95.10
7	50/1120	\$ 97.52
7 1/2	50/1175	\$ 100.45
8	50/1193	\$ 103.24

5606

2" Upper L/Rod

Size	Carton PCS/WT	Price
2 1/2	50/1010	\$ 103.40
3	50/1093	\$ 107.01
3 1/2	50/919	\$ 110.53
4	50/1254	\$ 114.09
4 1/2	50/1300	\$ 117.32
5	50/1350	\$ 123.82
5 1/2	50/1301	\$ 127.44
6	50/1500	\$ 131.26
6 1/2	50/1501	\$ 134.23
7	50/1602	\$ 143.56
7 1/2	25/851	\$ 149.84
8	25/901	\$ 152.81



NOTES

- Order by model number and maximum extended lengths from 2 1/2' thru 10' (in 6" increments). Example: 5603 8 1/2'
- When rods are furnished with Curb Boxes, they are 18" shorter than maximum extended length of Curb Box.
- All Curb Boxes telescope one foot. Lengths shown are at maximum extension:
Example: A 5' Curb Box can be used at depths ranging from 4' to 5'.
- Shut Off Rods (page 165) and Available Lid Options (page 164)

Minneapolis Pattern Base

BASE TAPPED 1 1/2"

5610

- 1" I.D. Upper Section
- Includes 5660 stationary rod
- **5607L - with 1" brass pentagon plug**
- For use with A.Y. McDonald 3/4" inverted plug style curb stops or 3/4", 1" ball style curb stops



5610

1" Upper with Rod

Size	Carton PCS/WT	Price
2 1/2	1/11	\$ 66.68
3	1/12	\$ 68.29
3 1/2	1/13	\$ 71.19
4	1/14	\$ 74.00
4 1/2	1/15	\$ 74.98
5	1/16	\$ 76.55
5 1/2	1/17	\$ 79.69
6	1/18	\$ 84.25
6 1/2	1/19	\$ 87.29
7	1/20	\$ 90.91
7 1/2	1/21	\$ 94.57
8	1/22	\$ 97.84

5610LR

1" Upper L/Rod

Size	Carton PCS/WT	Price
2 1/2	100/950	\$ 56.59
3	100/1025	\$ 57.43
3 1/2	100/1075	\$ 59.22
4	100/1125	\$ 60.46
4 1/2	100/1175	\$ 60.50
5	100/1225	\$ 61.13
5 1/2	100/1386	\$ 63.26
6	100/1325	\$ 66.63
6 1/2	100/1375	\$ 67.75
7	100/1610	\$ 70.73
7 1/2	100/1475	\$ 73.26
8	100/1740	\$ 75.50

5612

- 1" I.D. Upper Section
- Includes 5660 stationary rod
- **5601L - Two hole Erie Lid**
- For use with A.Y. McDonald 3/4" inverted plug style curb stops or 3/4", 1" ball style curb stops



5612

1" Upper with Rod

Size	Carton PCS/WT	Price
2 1/2	1/11	\$ 57.70
3	1/12	\$ 61.00
3 1/2	1/13	\$ 63.50
4	1/14	\$ 65.79
4 1/2	1/15	\$ 66.68
5	1/16	\$ 68.29
5 1/2	1/17	\$ 71.01
6	1/18	\$ 75.41
6 1/2	1/19	\$ 78.97
7	1/20	\$ 82.68
7 1/2	1/21	\$ 86.51
8	1/22	\$ 90.49

5612LR

1" Upper L/Rod

Size	Carton PCS/WT	Price
2 1/2	100/975	\$ 47.63
3	100/1025	\$ 50.14
3 1/2	100/1075	\$ 53.18
4	100/1125	\$ 52.24
4 1/2	100/1175	\$ 52.20
5	100/1225	\$ 52.85
5 1/2	100/1330	\$ 54.59
6	100/1325	\$ 57.78
6 1/2	100/1375	\$ 59.46
7	100/1425	\$ 62.49
7 1/2	100/1475	\$ 65.21
8	100/1685	\$ 68.16



NOTES

- Order by model number and maximum extended lengths from 2 1/2' thru 10' (in 6" increments). Example: 5614 8 1/2'
- When rods are furnished with Curb Boxes, they are 18" shorter than maximum extended length of Curb Box.
- All Curb Boxes telescope one foot. Lengths shown are at maximum extension:
Example: A 5' Curb Box can be used at depths ranging from 4' to 5'.
- **Shut Off Rods (page 165) and Available Lid Options (page 164)**

Minneapolis Pattern Base

BASE TAPPED 1 1/2"

5614

- 1 1/4" I.D. Upper Section
- Shut-off rod available
- **5614L - with 1 1/4" brass pentagon plug**
- For use with inverted plug type curb stops 3/4"
- For use with ball valve curb stops 3/4', 1"



5614

1 1/4" Upper L/Rod

Size	Carton PCS/WT	Price
2 1/2	100/1100	\$ 50.72
3	100/1200	\$ 52.90
3 1/2	100/1300	\$ 55.19
4	100/1455	\$ 57.49
4 1/2	100/1500	\$ 59.81
5	100/1635	\$ 62.61
5 1/2	100/1725	\$ 65.08
6	100/1770	\$ 67.34
6 1/2	100/1900	\$ 70.26
7	100/1975	\$ 72.60
7 1/2	100/2085	\$ 75.96
8	100/2150	\$ 78.64
8 1/2	50/1145	\$ 83.56
9	50/1180	\$ 88.48
9 1/2	50/1235	\$ 93.39
10	50/1420	\$ 98.32

5614A - American Made

1 1/4" Upper L/Rod

Size	Carton PCS/WT	Price
2 1/2	100/1100	\$ 56.29
3	100/1200	\$ 58.71
3 1/2	100/1380	\$ 61.26
4	100/1385	\$ 63.81
4 1/2	100/1535	\$ 66.39
5	100/1600	\$ 69.50
5 1/2	100/1735	\$ 72.25
6	100/1810	\$ 74.74
6 1/2	100/1935	\$ 77.99
7	100/1995	\$ 80.58
7 1/2	100/2070	\$ 84.31
8	100/2180	\$ 87.30
8 1/2	50/1145	\$ 92.75
9	50/1180	\$ 98.21
9 1/2	50/1235	\$ 103.67
10	50/1420	\$ 109.12

5622

- 1 1/2" I.D. Upper Section
- Shut-off rod available
- **5623L - with 1 1/2" brass pentagon plug**
- For use with inverted plug type curb stops 3/4"
- For use with ball valve curb stops 3/4", 1"
- Base casting includes 5622BUSH 2" x 1 1/2" Bushing 2" MNPT x 1 1/2" FNPT



5622

1 1/2" Upper L/Rod - Tap 2" with 1 1/2" x 2" Bushing

Size	Carton PCS/WT	Price
2 1/2	100/1900	\$ 81.00
3	100/1830	\$ 83.73
3 1/2	100/2100	\$ 86.46
4	100/2055	\$ 89.37
4 1/2	100/2300	\$ 91.63
5	100/2260	\$ 94.66
5 1/2	100/2350	\$ 97.00
6	100/2460	\$ 99.31
6 1/2	100/2580	\$ 102.21
7	100/2800	\$ 106.43
7 1/2	50/1450	\$ 110.66
8	50/1403	\$ 112.82
8 1/2	50/1465	\$ 119.88
9	50/1500	\$ 126.91

5622A - American Made

1 1/2" Upper L/Rod - Tap 2" with 1 1/2" x 2" Bushing

Size	Carton PCS/WT	Price
2 1/2	100/1900	\$ 76.83
3	100/1830	\$ 81.82
3 1/2	100/2100	\$ 86.81
4	100/2055	\$ 91.73
4 1/2	100/2300	\$ 96.95
5	100/2260	\$ 101.92
5 1/2	100/2350	\$ 106.80
6	100/2460	\$ 111.81
6 1/2	100/2580	\$ 116.77
7	100/2800	\$ 121.68
7 1/2	50/1450	\$ 126.66
8	50/1403	\$ 131.61
8 1/2	50/1465	\$ 136.59
9	50/1500	\$ 141.58

5622C

For 5622 with cast iron plug in lid
Deduct \$6.26 from 5622 and add "C" to model number

NOTES

- Order by model number and maximum extended lengths from 2 1/2' thru 10' (in 6" increments). Example: 5614 8 1/2'
- When rods are furnished with Curb Boxes, they are 18" shorter than maximum extended length of Curb Box.
- All Curb Boxes telescope one foot. Lengths shown are at maximum extension:
Example: A 5' Curb Box can be used at depths ranging from 4' to 5'.
- Shut Off Rods (page 165) and Available Lid Options (page 164)



Minneapolis Pattern Base

BASE TAPPED 2"

5611

- 1" I.D. Upper Section
- Includes 5660 stationary rod
- **5607L - with 1" brass pentagon plug**
- For use with A.Y. McDonald inverted plug type curb stops 1"
- For use with A.Y. McDonald ball valve curb stops 1 1/2", 2" (ball size)

5607L



5613

- 1" I.D. Upper Section
- Includes 5660 stationary rod
- **5601L - Two hole Erie Lid**
- For use with A.Y. McDonald inverted plug type curb stops 1"
- For use with A.Y. McDonald ball valve curb stops 1 1/2", 2" (ball size)

5601L



5611

1" Upper with Rod

Size	Carton PCS/WT	Price
2 1/2	1/11	\$ 66.68
3	1/12	\$ 68.29
3 1/2	1/13	\$ 71.19
4	1/14	\$ 74.00
4 1/2	1/15	\$ 74.98
5	1/16	\$ 76.55
5 1/2	1/17	\$ 79.69
6	1/18	\$ 84.25
6 1/2	1/19	\$ 87.29
7	1/20	\$ 90.91
7 1/2	1/21	\$ 94.57
8	1/22	\$ 97.84

5613

1" Upper with Rod

Size	Carton PCS/WT	Price
2 1/2	1/12	\$ 57.70
3	1/13	\$ 61.00
3 1/2	1/14	\$ 63.50
4	1/15	\$ 65.79
4 1/2	1/16	\$ 66.68
5	1/17	\$ 68.29
5 1/2	1/18	\$ 71.01
6	1/19	\$ 75.41
6 1/2	1/20	\$ 78.97
7	1/21	\$ 82.68
7 1/2	1/22	\$ 86.51
8	1/23	\$ 90.49

5611LR

1" Upper L/Rod

Size	Carton PCS/WT	Price
2 1/2	100/930	\$ 56.59
3	100/1025	\$ 57.43
3 1/2	100/1075	\$ 59.22
4	100/1125	\$ 60.46
4 1/2	100/1175	\$ 60.50
5	100/1225	\$ 61.13
5 1/2	100/1275	\$ 63.26
6	100/1475	\$ 66.63
6 1/2	100/1375	\$ 67.75
7	100/1425	\$ 70.73
7 1/2	100/1475	\$ 73.26
8	100/1525	\$ 75.50

5613LR

1" Upper L/Rod

Size	Carton PCS/WT	Price
2 1/2	100/1075	\$ 47.63
3	100/1125	\$ 50.14
3 1/2	100/1175	\$ 51.52
4	100/1100	\$ 52.24
4 1/2	100/1275	\$ 52.20
5	100/1325	\$ 52.85
5 1/2	100/1316	\$ 54.59
6	100/1360	\$ 57.78
6 1/2	100/1475	\$ 59.46
7	100/1525	\$ 62.49
7 1/2	100/1575	\$ 65.21
8	100/1625	\$ 68.16



NOTES

- Order by model number and maximum extended lengths from 2 1/2' thru 10' (in 6" increments). Example: 5613 8 1/2'
- When rods are furnished with Curb Boxes, they are 18" shorter than maximum extended length of Curb Box.
- All Curb Boxes telescope one foot. Lengths shown are at maximum extension:
Example: A 5' Curb Box can be used at depths ranging from 4' to 5'.
- **Shut Off Rods (page 165) and Available Lid Options (page 164)**

Minneapolis Pattern Base

BASE TAPPED 2"

5615

- 1 1/4" I.D. Upper Section
- Shut-off rod available
- **5614L - with 1 1/4" brass pentagon plug**
- For use with A.Y. McDonald inverted plug type curb stops 1"
- For use with A.Y. McDonald ball valve curb stops 1 1/2", 2" (ball size)



5623

- 1 1/2" I.D. Upper Section
- Shut-off rod available
- **5623L - with 1 1/2" brass pentagon plug**
- For use with A.Y. McDonald inverted plug type curb stops 1"
- For use with A.Y. McDonald ball valve curb stops 1 1/2", 2" (ball size)



5615

1 1/4" Upper L/Rod

Size	Carton PCS/WT	Price
2 1/2	100/1200	\$ 50.72
3	100/1300	\$ 52.90
3 1/2	100/1400	\$ 55.19
4	100/1410	\$ 57.49
4 1/2	100/1600	\$ 59.81
5	100/1600	\$ 62.61
5 1/2	100/1725	\$ 65.08
6	100/1820	\$ 67.34
6 1/2	100/1800	\$ 70.26
7	100/2000	\$ 72.60
7 1/2	100/2075	\$ 75.96
8	100/2135	\$ 78.64
8 1/2	50/1200	\$ 83.56
9	50/1200	\$ 88.48
9 1/2	50/1228	\$ 93.39
10	50/1500	\$ 98.32

5615A - American Made

1 1/4" Upper L/Rod

Size	Carton PCS/WT	Price
2 1/2	100/1200	\$ 56.29
3	100/1300	\$ 58.71
3 1/2	100/1400	\$ 61.26
4	100/1410	\$ 63.81
4 1/2	100/1600	\$ 66.39
5	100/1665	\$ 69.50
5 1/2	100/1700	\$ 72.25
6	100/1820	\$ 74.74
6 1/2	100/1955	\$ 77.99
7	100/2000	\$ 80.58
7 1/2	100/2050	\$ 84.31
8	100/2060	\$ 87.30
8 1/2	50/1200	\$ 92.75
9	50/1200	\$ 98.21
9 1/2	50/1228	\$ 103.67
10	50/1500	\$ 109.12

5623

1 1/2" Upper L/Rod

Size	Carton PCS/WT	Price
2 1/2	100/1800	\$ 72.95
3	100/1900	\$ 75.65
3 1/2	100/1810	\$ 78.39
4	100/1950	\$ 81.30
4 1/2	100/2200	\$ 83.55
5	100/2300	\$ 86.58
5 1/2	100/2300	\$ 88.99
6	100/2390	\$ 91.21
6 1/2	100/2495	\$ 94.14
7	100/2700	\$ 98.36
7 1/2	50/1400	\$ 101.84
8	50/1400	\$ 104.75
8 1/2	50/1468	\$ 111.29
9	50/1475	\$ 117.84

5623A - American Made

1 1/2" Upper L/Rod

Size	Carton PCS/WT	Price
2 1/2	100/1800	\$ 66.88
3	100/1900	\$ 71.87
3 1/2	100/1810	\$ 76.86
4	100/1950	\$ 81.78
4 1/2	100/2200	\$ 87.00
5	100/2300	\$ 91.97
5 1/2	100/2300	\$ 96.85
6	100/2390	\$ 101.86
6 1/2	100/2495	\$ 106.82
7	100/2700	\$ 111.73
7 1/2	50/1400	\$ 116.71
8	50/1400	\$ 121.65
8 1/2	50/1468	\$ 126.64
9	50/1475	\$ 131.63

5615WB

Available with 2" MNPT x 1 1/2" FNPT reducing bushing (Add "WB" to model number) Add \$5.72 to list

5615AWB

Available with 2" MNPT x 1 1/2" FNPT reducing bushing (Add "WB" to model number) Add \$9.95 to list

5622BUSH

2" x 1 1/2" Bushing

Size	Carton PCS/WT	Price
2" x 1 1/2"	20/13	\$ 5.72

5622ABUSH - American Made

2" x 1 1/2" Bushing

Size	Carton PCS/WT	Price
2" x 1 1/2"	20/13	\$ 9.95

5623ADPT Increase Adapter

- 2" MNPT x 2 1/2" FNPT
- Increases Minneapolis Pattern Curb Box Tapped 2" up to 2 1/2"
- Use with 1 1/4" inverted plug type curb stops (ball size)
- List price \$47.33



NOTES

- Order by model number and maximum extended lengths from 2 1/2' thru 10' (in 6" increments). Example: 5613 8 1/2'
- When rods are furnished with Curb Boxes, they are 18" shorter than maximum extended length of Curb Box.
- All Curb Boxes telescope one foot. Lengths shown are at maximum extension:
Example: A 5' Curb Box can be used at depths ranging from 4' to 5'.
- Shut Off Rods (page 165) and Available Lid Options (page 164)

Minneapolis Pattern Base

BASE TAPPED 3" AND 3 1/2"

5624

- 2" I.D. Upper Section
- Shut-off rod available
- **5624L - 2" brass pentagon plug**
- Base tapped 3"



5624

MPLS Tap 3" - 2" Upper L/Rod

Size	Carton PCS/WT	Price
3	50/1168	\$ 137.69
3 1/2	50/1450	\$ 141.20
4	50/1500	\$ 144.75
4 1/2	50/1550	\$ 148.22
5	50/1600	\$ 154.46
5 1/2	50/1475	\$ 158.28
6	50/1563	\$ 161.90
6 1/2	50/1750	\$ 165.47
7	50/1800	\$ 175.03
7 1/2	25/925	\$ 180.43
8	25/950	\$ 185.81

5624ABUSH

3" MNPT x 2" FNPT Bushing

Size	Carton PCS/WT	Price
3" x 2"	20/2	\$ 31.70

5625

- 2" I.D. Upper Section
- Shut-off rod available
- **5624L - 2" brass pentagon plug**
- Base tapped 3 1/2"



5625

MPLS Tap 3 1/2" - 2" Upper L/Rod

Size	Carton PCS/WT	Price
3	50/1350	\$ 137.69
3 1/2	50/1400	\$ 141.20
4	50/1500	\$ 144.75
4 1/2	50/1550	\$ 148.22
5	50/1650	\$ 154.46
5 1/2	50/1700	\$ 158.28
6	50/1800	\$ 161.90
6 1/2	50/1850	\$ 165.47
7	50/1950	\$ 175.03
7 1/2	25/1000	\$ 180.43
8	25/1050	\$ 185.81
9	25/1100	\$ 223.74



5624 Base Tapped 3"
5625 Base Tapped 3 1/2"

NOTES

- Order by model number and maximum extended lengths from 2 1/2' thru 10' (in 6" increments). Example: 5624 8 1/2'
- When rods are furnished with Curb Boxes, they are 18" shorter than maximum extended length of Curb Box.
- All Curb Boxes telescope one foot. Lengths shown are at maximum extension:
Example: A 5' Curb Box can be used at depths ranging from 4' to 5'.
- Shut Off Rods (page 165) and Available Lid Options (page 164)

Curb Boxes

Curb Box with Foot Piece

USE WITH 1/2" THROUGH 2" CURB STOPS

5627

- 2" I.D. Upper Section
- Shut-off rod available
- **5627L**
- 1 1/2" threaded support ring (5627R 1 1/2") in base casting
- For use with 1/2", 5/8", 3/4" Minneapolis Pattern inverted plug style curb stops



5628B

- 2" I.D. Upper Section
- Shut-off rod available
- **5627L**
- 1 1/2" threaded support ring (5628R 1 1/2") in base casting
- For use with 3/4", 1" Minneapolis Pattern Curb Stops



5627

MPLS Tap 1 1/2" Footpiece - 2" Upper

Size	Carton PCS/WT	Price
5	25/800	\$ 198.81
5 1/2	25/850	\$ 202.17
6	25/900	\$ 205.33
6 1/2	25/950	\$ 208.44
7	25/1000	\$ 211.79
7 1/2	25/1050	\$ 214.47
8	25/110	\$ 217.75

5628B

Same as 5628 but Ball Valves Only

Size	Carton PCS/WT	Price
3	25/717	\$ 210.15
4	25/779	\$ 219.99
5	25/835	\$ 229.85
7	25/1000	\$ 249.57
7 1/2	25/1000	\$ 254.48
8	25/1050	\$ 259.43
8 1/2	25/1049	\$ 264.35

5628

- 2" I.D. Upper Section
- Shut-off rod available
- **5627L**
- 2" threaded support ring (5628R 2") in base casting
- For use with 1" Minneapolis Pattern inverted plug type curb stops



5629B

- 2" I.D. Upper Section
- Shut-off rod available
- **5624L**
- 1 1/2" threaded support ring (5628R 1 1/2") in base casting
- For use with 3/4", 1" (ball size) Minneapolis Pattern Curb Stops



5628

MPLS Tap 2" Footpiece - 2" Upper

Size	Carton PCS/WT	Price
5	25/800	\$ 215.07
5 1/2	25/850	\$ 218.51
6	25/900	\$ 221.91
6 1/2	25/950	\$ 225.27
7	25/1000	\$ 228.94
7 1/2	25/1025	\$ 231.72
8	25/1100	\$ 235.28

5629B

Same Curb Box as 5628B, but with model 5624L Lid

Size	Carton PCS/WT	Price
5	25/825	\$ 216.67
7 1/2	25/1030	\$ 232.80



NOTES

- Order by model number and maximum extended lengths from 2 1/2' thru 10' (in 6" increments). Example: 5603 8 1/2'
- All Curb Boxes telescope one foot. Lengths shown are at maximum extension:
Example: A 5' Curb Box can be used at depths ranging from 4' to 5'.
- Shut Off Rods (page 165) and Available Lid Options (page 164)

Curb Box with Foot Piece

USE WITH 1/2" THROUGH 2" CURB STOPS

5630

- 2" I.D. Upper Section
- Shut-off rod available
- **5627L**
- For use with 1 1/2" Regular Pattern inverted plug type curb stops

5630

Enlarged footpiece model for 1 1/2" Valve - 2" Upper section

Size	Carton PCS/WT	Price
6	25/1025	\$ 229.45
7	25/1125	\$ 260.64
7 1/2	25/1100	\$ 269.09

5631

- 2" I.D. Upper Section
- Shut-off rod available
- **5627L**
- For use with 2" Regular Pattern inverted plug type curb stops

5631

Enlarged footpiece model for 2" Valve - 2" Upper section

Size	Carton PCS/WT	Price
7	25/1125	\$ 260.64
7 1/2	25/1175	\$ 269.08

5631B

- 2" I.D. Upper Section
- Shut-off rod available
- **5627L**
- 2" threaded support bracket (5690) in base casting
- For use with 1 1/2", 2" (ball size) Minneapolis Pattern Curb Stops

5631B

Same Curb Box as 5631 but for Ball Valves

Size	Carton PCS/WT	Price
3 1/2	25/875	\$ 214.45
4	25/915	\$ 223.17
5	25/964	\$ 241.28
7	25/1203	\$ 277.51
7 1/2	25/1150	\$ 284.45
8	25/1173	\$ 291.39
8 1/2	25/1200	\$ 298.33

NOTES

- Order by model number and maximum extended lengths from 2 1/2' thru 10' (in 6" increments). Example: 5603 8 1/2'
- All Curb Boxes telescope one foot. Lengths shown are at maximum extension:
Example: A 5' Curb Box can be used at depths ranging from 4' to 5'.
- Shut Off Rods (page 165) and Available Lid Options (page 164)



Curb Boxes

Standard Water Lids



5624L
Tapped 2"
\$ 27.74



5627L
\$ 32.71



5627C
Cap only for 5627L
\$ 7.84

Accessories



5627AB
Brass Anchor Bolt
\$ 6.98



5627AN
Anchor Nut
For 5627 Lid
\$ 7.11



5627R 1 1/2"
Support Ring
\$ 7.90



5628R 1 1/2"
Support Ring
\$ 7.90



5628R 2"
Support Ring
\$ 7.39



5690
Minneapolis Valve Support
Bracket - 2" Tap
\$ 28.85

Telescoping Curb Box

36" ADJUSTABLE

5504

Arch Curb Box Pentagon Lid with Rod

Size	Carton PCS/WT	Price
48 x 84	1/13	\$ 153.43

5504LR

Arch Curb Box Pentagon Lid L/Rod

Size	Carton PCS/WT	Price
48 x 84	1/7	\$ 96.79

5514

Minn Curb Box Pentagon Lid with Rod 1 1/2" Tap

Size	Carton PCS/WT	Price
48 x 84	1/12	\$ 144.20
66 x 108		\$ 185.40

5514LR

Minn Curb Box Pentagon Lid L/Rod 1 1/2" Tap

Size	Carton PCS/WT	Price
48 x 84	1/6	\$ 87.55
66 x 108		\$ 112.56

5515

Minn Curb Box Pentagon Lid with Rod 2" Tap

Size	Carton PCS/WT	Price
48 x 84	1/12	\$ 144.20
66 x 108		\$ 185.40

5515LR

Minn Curb Box Pentagon Lid L/Rod 2" Tap

Size	Carton PCS/WT	Price
48 x 84	1/7	\$ 87.55
66 x 108		\$ 112.56

5541

Arch Curb Box 2 Hole Lid with Rod

Size	Carton PCS/WT	Price
48 x 84	1/14	\$ 153.43

5541LR

Arch Curb Box 2 Hole Lid L/Rod

Size	Carton PCS/WT	Price
48 x 84	1/6	\$ 96.79

5542

Minn Curb Box 2 Hole Lid with Rod 1 1/2" Tap

Size	Carton PCS/WT	Price
48 x 84	1/14	\$ 144.20

5542LR

Minn Curb Box 2 Hole Lid L/Rod 1 1/2" Tap

Size	Carton PCS/WT	Price
48 x 84	1/6	\$ 87.55

5543

Minn Curb Box 2 Hole Lid with Rod 2" Tap

Size	Carton PCS/WT	Price
48 x 84	1/13	\$ 144.20

5543LR

Minn Curb Box 2 Hole Lid L/Rod 2" Tap

Size	Carton PCS/WT	Price
48 x 84	1/6	\$ 87.55

5514CPL6

Coupling

Size	Carton PCS/WT	Price
2" x 2"		\$ 19.75
1 1/2" x 2"		\$ 19.75

5504SA

Arch

Size	Carton PCS/WT	Price
		\$ 13.25

5541LAS

Erie Lid with Adapter

Size	Carton PCS/WT	Price
		\$ 37.25

5500REPNR

Lock Nut and Ring

Size	Carton PCS/WT	Price
		\$ 36.28

5504TRS

Top Repair Coupling

Size	Carton PCS/WT	Price
		\$ 40.00

5500SS

Telescoping Shutoff Rod

Size	Carton PCS/WT	Price
48 x 84	1/7	\$ 56.70
66 x 108		\$ 72.84



- Lightweight composite material reduces shipping expenses/damages
- Constructed of non-corrosive materials, solving hot corrosive soil issues
- 1 1/4" upper section
- Adjusts a full 30" (From 48" to 78")
- Greater extension range offers reduction of inventory without reduction in sales
- A repairable top section with repair parts available
- Comes with an optional stainless steel rod and interchangeable bases
- Converts easily from Minneapolis to Arch Base

Standard Water Lids



5700 Series

ARCH BASE

Screw (Buffalo) style design | Cast iron construction | Includes "WATER" lid - Black dip coated
Brass pentagon locking bolt lid | Rod sold separately

To order 2 1/2" Service Boxes: Model No. **5700S 27 x 39** means:

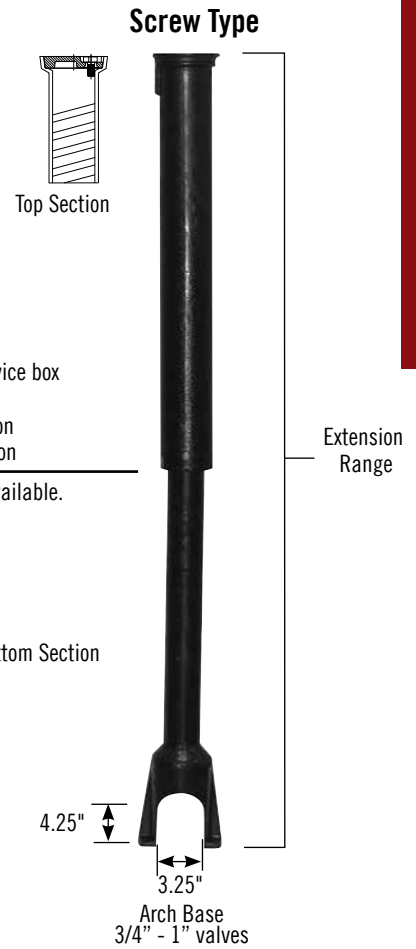
5700	S	27	X	39
-------------	----------	-----------	----------	-----------

Series
5700 - Screw Type

Parts and Options
B = Bottom Section
G = Gas Lid
L = Lid only-Water
LG = Lid only-Gas
LS = Lid only-Sewer
S = Sewer
SE = Extension
T = Top Section (water)
TG = Top Section (gas)
TS = Top Section Sewer

Minimum X Maximum Extension
 27 X 39
 34 X 49
 34 X 53
 41 X 60
 41 X 66
 64 X 76
 70 X 82
 -OR-
 Component length
 Example: 5700T 24

EXAMPLE:
 Model No. 5700S 27 x 39
 - Screw type 2 1/2" service box
 - Sewer lid
 - 24" minimum extension
 - 39" maximum extension
 - Not all combinations available.
 Contact factory.



Curb Boxes

MODEL	EXTENSION RANGE	TOP	BOTTOM SECTION	EXTENSION
5700 27 x 39	27" to 39"	5700T 20"	5700B 23"	NONE
5700 34 x 49	34" to 49"	5700T 20"	5700B 33"	NONE
5700 34 x 53	34" to 53"	5700T 24"	5700B 33"	NONE
5700 41 x 60	41" to 60"	5700T 24"	5700B 40"	NONE
5700 41 x 66	41" to 66"	5700T 30"	5700B 40"	NONE
5700 64 x 76	64" to 76"	5700T 24"	5700B 40"	5700SE 16"
5700 70 x 82	70" to 82"	5700T 30"	5700B 40"	5700SE 16"

5700

2 1/2" Service Box with Screw

Size	Carton PCS/WT	Price	Ref.
27 x 39	40/1124	\$77.29	92D
34 x 49	40/1268	\$109.95	93D
34 x 53	40/1360	\$114.07	93E
41 x 60	40/1600	\$125.60	94E
41 x 66	40/1799	\$138.94	95E
64 x 76	40/1844	\$156.37	100E
70 x 82	40/2156	\$170.02	100F

5700SE

Extensions - Screw Style

Size	Carton PCS/WT	Price
9	1/7	\$ 28.97
16	1/11	\$32.86
28	1/17	\$45.30
30	1/19	\$49.43

See page 165 for rods



5700L

Lid for Screw Top - Water

Size	Carton PCS/WT	Price
	1/2	\$ 7.65



For Gas lid add "G" to model number (i.e. 5700G 24 x 39) Add \$ 3.54
 For Sewer lid add "S" to model number (i.e. 5700S 24 x 39) Add \$ 2.98

5700T

Top Section - Screw Style

Size	Carton PCS/WT	Price
20	40/574	\$42.47
24	40/682	\$48.32
30	40/880	\$55.97

5700RING

Shut-Off Rod - Centering Ring

Size	Carton PCS/WT	Price
	10/6	\$ 10.53



5700RLNEW

2 1/2" Service Box Repair Lid - New Style

Size	Carton PCS/WT	Price
	1/2	\$ 42.30



5700RLOLD

2 1/2" Service Box Repair Lid - Old Style

Size	Carton PCS/WT	Price
	1/2	\$ 42.30



5700B

Bottom Section - Screw Style

Size	Carton PCS/WT	Price
23	40/520	\$34.81
33	40/712	\$48.32
40	40/862	\$55.97

5700AB

Pentagon Bolt (Sold Separately)

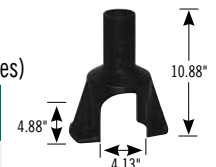
Size	Carton PCS/WT	Price
	1/1	\$ 5.85



5700EBASE

Enlarged Base (1 1/4" - 2" valves)

Size	Carton PCS/WT	Price
	1/10	\$ 30.91



Lids & Accessories



5601 Lids

Model	Marking	Price
5601L	"Water"	\$ 10.01
5601PL	"No Marking"	\$ 10.56



Tapped 1 1/4"

5614 Lids

Model	Marking	Price
5614L	"Water"	\$ 20.68
5614LG	"Gas"	\$ 20.68
5614LPS	"Sewer"	\$ 20.68
5614LTW Tracewire	"Water"	\$ 23.77
5614LSK	"Irrigation"	\$ 20.68
5614LRW	"Reclaimed Water"	\$ 20.68



Tapped 1"

5607 Lids

Model	Marking	Price
5607L	"Water"	\$ 16.25
*5607LG	"Gas"	\$ 16.25
*5607LPS	"Sewer"	\$ 16.25
5607LD	"Water"	\$ 17.06
5607LTW Tracewire	"Water"	\$ 19.34
5607LSK	"Irrigation"	\$ 16.25
5607LRW	"Reclaimed Water"	\$ 16.25

* Pentagon plug with rope-style threads

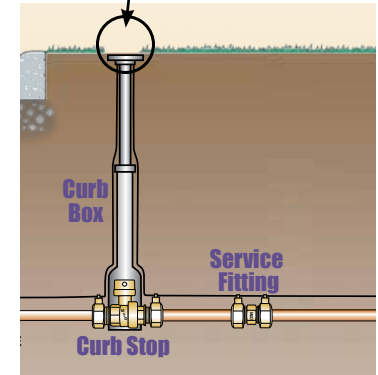
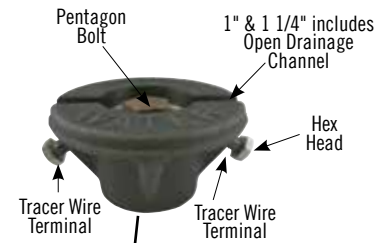


Tapped 2"

5624 Lids

Model	Marking	Price
5624L	"Water"	\$ 27.74
5624LG	"Gas"	\$ 27.74
5624LPS	"Sewer"	\$ 27.74
5624LTW Tracewire	"Water"	\$ 30.83
5624LFS	"Fire Sprinkler"	\$ 27.74

WITH TRACER WIRE OPTION



- Tracerwire option not available on all lids, consult factory



Tapped 1 1/2"

5623 Lids

Model	Marking	Price
5623L	"Water"	\$ 18.14
5623LG	"Gas"	\$ 18.14
5623LPS	"Sewer"	\$ 18.14
5623LTW Tracewire	"Water"	\$ 21.23
5623LCP Cast Iron Plug	"Water"	\$ 15.07

5607BP

1" Pentagon Plug

Size	Carton PCS/WT	Price
1"	25/5	\$ 6.07

5623BP

1 1/2" Brass Plug

Size	Carton PCS/WT	Price
1 1/2"	25/8	\$ 13.65

5624BP

2" Brass Plug

Size	Carton PCS/WT	Price
2"	34/8	\$ 14.30

5614BP

1 1/4" Pentagon Plug

Size	Carton PCS/WT	Price
1 1/4"	25/5	\$ 5.49

5623CP

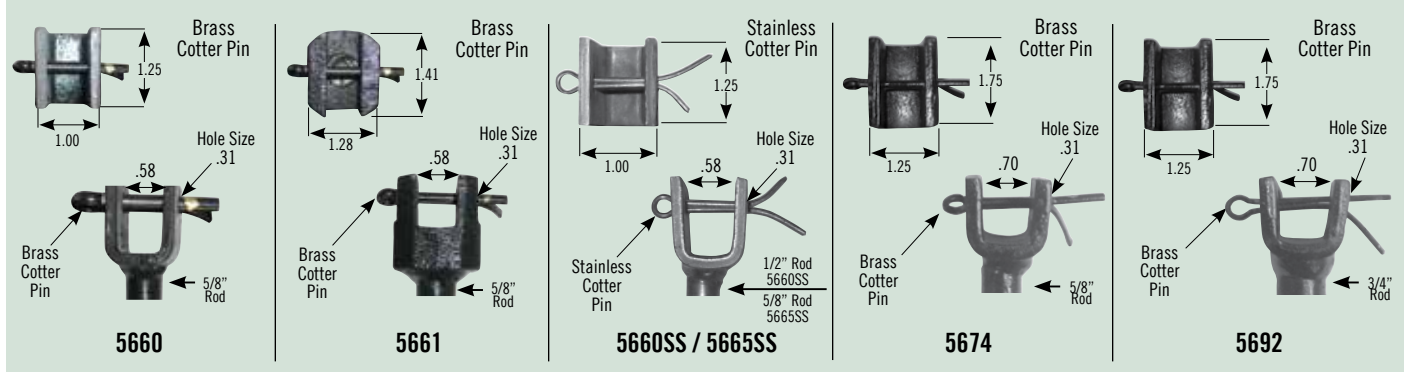
1 1/2" Cast Iron Plug

Size	Carton PCS/WT	Price
1 1/2"	25/6	\$ 3.73



- A pentagon plug allows access to curb stop or shut-off rod without removing lid.
- For lids with other markings or variations, contact factory.

Shut-Off Rods



5660/5661

Steel Key Cast Key

- 5/8" rod
- Small key-clamp welded to rod

For use with:

- Ball style curb stops 5/8", 3/4", 1", 1 1/2", 2" (ball size)
- Inverted plug style curb stops 1/2", 5/8", 3/4", 1"

5660

5/8" Shut-Off Rod - Small Key

Size	Carton PCS/WT	Price
12	1/2	\$18.32
18	1/2	\$18.32
24	1/3	\$18.54
30	1/3	\$18.99
36	1/4	\$19.08
42	1/4	\$19.81
48	1/5	\$20.81
54	1/5	\$21.29
60	1/6	\$21.42
66	1/6	\$24.35
72	1/7	\$25.31
78	1/7	\$26.21

5661

5/8" Shut-Off Rod - Cast Key

Size	Carton PCS/WT	Price
12	1/2	\$18.55
18	1/2	\$18.55
24	1/3	\$19.49
30	1/3	\$20.40
36	1/4	\$21.28
42	1/4	\$22.37
48	1/5	\$23.24
54	1/5	\$24.20
60	1/6	\$25.16
66	1/6	\$26.06
72	1/7	\$26.97
78	1/7	\$27.91

5660SS / 5665SS

- 1/2" Stainless steel rod (5660SS)
- 5/8" Stainless steel rod (5665SS)
- Small key-clamp welded to rod

For use with:

- Ball style curb stops 5/8", 3/4", 1", 1 1/2", 2" (ball size)
- Inverted plug style curb stops 1/2", 5/8", 3/4", 1"

5660SS

1/2" Stainless Steel Shut-Off Rod

Size	Carton PCS/WT	Price
12	1/2	\$24.74
18	1/2	\$37.11
24	1/3	\$37.61
30	1/3	\$38.49
36	1/4	\$38.68
42	1/4	\$40.45
45	1/5	\$41.31
48	1/5	\$42.17
54	1/6	\$42.80
60	1/6	\$43.40
66	1/7	\$47.33
72	1/7	\$51.25
78	1/5	\$55.18

5665SS

5/8" Stainless Steel Shut-Off Rod

Size	Carton PCS/WT	Price
18	1/1	\$53.58
30	1/2	\$56.84
36	1/3	\$63.34
42	1/3	\$66.53
48	1/4	\$69.69
54	1/3	\$72.88
60	1/4	\$76.04
66	1/4	\$79.20
72	1/4	\$82.38
78	1/5	\$85.54

5674

- 5/8" rod
- Large key-clamp welded to rod

For use with:

- Ball style curb stops 1 1/4", 1 1/2", 2" (ball size)
- Inverted plug style curb stops 1 1/4", 1 1/2", 2"

5674

5/8" Shut-Off Rod - Large Key

Size	Carton PCS/WT	Price
12	1/2	\$18.32
18	1/2	\$18.32
24	1/3	\$18.54
30	1/3	\$18.99
36	1/4	\$19.08
42	1/4	\$19.81
48	1/5	\$20.81
54	1/6	\$21.29
60	1/6	\$21.42
66	1/7	\$24.35
72	1/8	\$25.31
78	1/8	\$26.21

5692

(For use with 2" upper sections only)

- 3/4" rod
- Large key-clamp welded to rod

For use with:

- Ball style curb stops 1 1/2", 2" (ball size)
- Inverted plug style curb stops 1 1/4", 1 1/2", 2" (For use with 2" upper sections only)

5692

3/4" Shut-Off Rod - Large Key

Size	Carton PCS/WT	Price
30	1/3	\$44.93
36	1/4	\$39.23
42	1/4	\$45.00
48	1/5	\$46.09
54	1/6	\$46.83
60	1/6	\$48.56
66	1/7	\$50.28
72	1/8	\$54.84
78	1/8	\$59.43

5660SSA - American Made

1/2" Stainless Steel Shut-Off Rod

Size	Carton PCS/WT	Price
12	1/2	\$55.61
18	1/2	\$58.59
24	1/3	\$61.56
30	1/3	\$64.46
36	1/4	\$67.20
42	1/4	\$70.61
45	1/5	\$72.03
48	1/5	\$73.43
54	1/6	\$76.41
60	1/6	\$79.49
66	1/7	\$82.31
72	1/7	\$85.18
78	1/8	\$88.16
84	1/8	\$90.94



Extended box length in feet	2 1/2'	3'	3 1/2'	4'	4 1/2'	5'	5 1/2'	6'	6 1/2'	7'	7 1/2'	8'
Rod length in inches	12"	18"	24"	30"	36"	42"	48"	54"	60"	66"	72"	78"

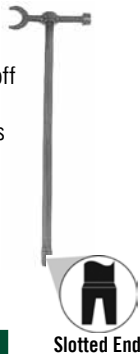
-Order by rod model number and length of rod in inches. Example: 5660 4'

Curb Box Parts & Accessories

Curb Boxes

304B

Heavy steel rod
Slotted key fits top of all shut-off rods. Spanner wrench end fits 5601L lid. Pentagon wrench fits 5607L, 5614L, 5623L, 5624L, and 5627L lids.



Slotted End

304B

Curb Box Key and Lid Wrench

Size	Carton PCS/WT	Price
2	1/4	\$50.28
3	1/6	\$50.28
4	1/7	\$50.84
5	1/8	\$60.17
6	1/10	\$59.76
7	1/10	\$69.59
8	1/12	\$76.51

304K

Pentagon Key
Fits 5607L, 5614L, 5623L, 5624L and 5627L lids.



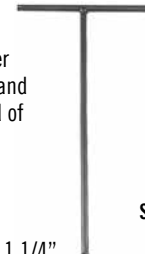
304K

Pentagon Key

Size	Carton PCS/WT	Price
	1/1	\$ 6.98

305

Fits in curb boxes with upper sections 1 1/4" and larger, and directly onto operating head of the curb stop.



Slotted End
.69 I.D.

305

Shut-Off Rod for Boxes over 1 1/4"

Size	Carton PCS/WT	Price
2	1/3	\$ 75.22
3	1/4	\$ 75.22
4	1/6	\$ 76.85
6	1/8	\$ 77.40
8	1/10	\$ 82.36
10	1/12	\$ 89.76



1.31 O.D.

5614RL

Repair Lid - Fits 1" or 1 1/4" pipe



Size	Carton PCS/WT	Price
	25/5	\$ 47.83

5660CP

Brass Cotter Pin for Shut-Off Rods 1 1/2" Long



Size	Carton PCS/WT	Price
1 1/4"	50/1	\$ 1.61

5639

Cast Iron Curb Box Receptacle
(For use with 1" upper section curb boxes (5601 Erie pattern).



Size	Carton PCS/WT	Price
	1/3	\$ 14.30

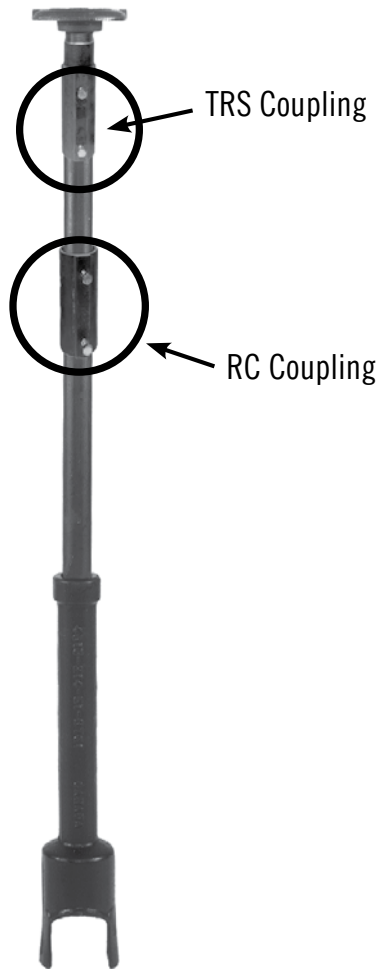
5660SSCP

Stainless Steel Cotter Pin for Shut-Off Rods 1 3/4" Long

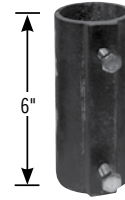


Size	Carton PCS/WT	Price
1 1/4"	10/1	\$ 3.24

Cast Iron Repair Couplings



"TRS" is used for top curb box thread repairs and extends height by 3"



"RC" couplings are used to repair or extend the upper section of curb box pipe

5601TRS

Curb Box Repair Coupling
For use with 1" upper section

1"

Size	Carton PCS/WT	Price
1"	1/3	\$ 10.73

5601RC

Curb Box Coupling
For use with 1" upper section

Size	Carton PCS/WT	Price
1"	1/2	\$ 8.34

5604TRS

Curb Box Repair Coupling
For use with 1 1/4" upper section

1 1/4"

Size	Carton PCS/WT	Price
1 1/4"	1/3	\$ 13.11

5604RC

Curb Box Coupling
For use with 1 1/4" upper section

Size	Carton PCS/WT	Price
1 1/4"	1/2	\$ 9.54

5605TRS

Curb Box Repair Coupling
For use with 1 1/2" upper section

1 1/2"

Size	Carton PCS/WT	Price
1 1/2"	1/4	\$ 16.69

5605RC

Curb Box Coupling
For use with 1 1/2" upper section

Size	Carton PCS/WT	Price
1 1/2"	1/3	\$ 10.73

5606TRS

Curb Box Repair Coupling
For use with 2" upper section

2"

Size	Carton PCS/WT	Price
2"	1/5	\$ 19.08

5606RC

Curb Box Coupling
For use with 2" upper section

Size	Carton PCS/WT	Price
2"	1/3	\$ 13.11



Service Fittings



Service Fittings

Water Works Catalog / Price List - July 2017

MORE THAN A BRAND. WE'RE A FAMILY.

Straight Couplings

CAMBRIDGE COUPLING

The Stainless Steel teeth provide electrical continuity from metallic pipes to the coupling body, eliminating the need for trace wires when metallic pipes are used. Accommodates pipes that are slightly oval or slightly deformed, saving time and materials in some sizing situations. The Cambridge Coupling has a 300 PSI working pressure rating and is simple to use. The connection is shipped ready to use, simply insert the pipe and tighten.



*Stainless Steel Insert Required

Dimensional Range

The Cambridge Couplings offers the greatest range of all couplings currently available; with a range of up to 0.400". The range of each coupling overlaps slightly to accommodate different installation scenarios. That is more than 3/8" range from the minimum to maximum pipe size accommodated. See table below for specific sizing.

Design features:

- The gripper body will form to the pipe OD and be in full contact and support the pipe around its entire circumference.
- The rubber seals conforms to the pipe diameter, providing high pressure sealing of the waterway as well as preventing contaminants and soil from entering the gripper area.
- The gripper sub-assembly is symmetrical, and therefore works in either direction regardless of the orientation.
- The gripper sub-assembly provides a snug fit in the nut, preventing loss of the gripper and seals in the trench.
- Accommodates pipes that are slightly oval or slightly deformed, saving time and materials in some sizing situations.

Pipe Material

Nominal Pipe Size and Model # Call-outs

	Stainless Steel Insert	1/2"	5/8"	3/4"	1"	1 1/4"	1 1/2"	2"
Copper (CTS)	Not Required	U2	U2, U3	U2, U3	U3, U4	U4, U5	U5, U6	U7
Polybutylene, Polyethylene, PET, PEX SDR9 (CTS)	6133T	U2	U2, U3	U2, U3	U3, U4	U4, U5	U5, U6	U7
Galvanized Steel (IPS)	Not Required	U2, U3	-	U3, U4	U4, U5	U5, U6	U6	U7
Polyethylene SDR9, SDR11 (PEP-OD)	SDR9 (6137), SDR11 (6138)	-	-	U3, U4	U4, U5	U5, U6	U6	U7
PVC	Not Required	U2, U3	-	U3, U4	U4, U5	U5, U6	U6	U7
Polybutylene, Polyethylene, PET, PEX SIDR7 (PEP)	6136	U2, U3	-	U3, U4	U4, U5	U6	U7	-
Lead Pipe - Strong (S or A)	Not Required	U2, U3	U3, U4	U4	U5	U5, U6	U6, U7	-
Lead Pipe - Extra Strong (XS or AA)	Not Required	U2, U3	U3, U4	U4	U5	U6	U7	-
Lead Pipe - Double Extra Strong (XXS or AAA)	Not Required	U3	U4	U4, U5	U5	U6	U7	-

Pipe OD Range Per Size

Model # Call-outs	Inches Min.	Inches Max.	Model # Call-outs	Inches Min.	Inches Max.
U2	0.600"	0.900"	U5	1.300"	1.700"
U3	0.735"	1.135"	U6	1.600"	2.000"
U4	1.000"	1.400"	U7	1.969"	2.381"

Straight Couplings

CAMBRIDGE COUPLING

The Stainless Steel teeth provide electrical continuity from metallic pipes to the coupling body, eliminating the need for trace wires when metallic pipes are used. Accommodates pipes that are slightly oval or slightly deformed, saving time and materials in some sizing situations. The Cambridge Coupling has a 300 PSI working pressure rating and is simple to use. The connection is shipped ready to use, simply insert the pipe and tighten.

74753U

Cambridge Coupling x MNPT



Model	Size	Compression Range		Size & Type (NPT)	Carton PCS/WT	Price
74753U2	3/4"	0.600" - 0.900"	x	3/4" Male	4/7	\$ 93.35
74753U3	3/4"	0.735" - 1.135"	x	3/4" Male	4/7	\$ 97.85
74753U4	1"	1.000" - 1.400"	x	1" Male	4/10	\$ 113.15
74753U5	1"	1.300" - 1.700"	x	1" Male	4/12	\$ 127.00
74753U5	1 1/2"	1.300" - 1.700"	x	1 1/2" Male	4/14	\$ 142.31
74753U6	1 1/2"	1.600" - 2.000"	x	1 1/2" Male	4/13	\$ 147.77
74753U7	2"	1.969" - 2.381"	x	2" Male	4/16	\$ 160.86

74758DBQ-U4

Q CTS x U4

Size	Carton PCS/WT	Price
3/4" x U4	5/19	\$ 177.40
1" x U4	5/20	\$ 173.59

74754U

Cambridge Coupling x FNPT



Model	Size	Compression Range		Size & Type (NPT)	Carton PCS/WT	Price
74754U2	3/4"	0.600" - 0.900"	x	3/4" Male	4/7	\$ 94.40
74754U3	3/4"	0.735" - 1.135"	x	3/4" Male	4/8	\$ 98.90
74754U4	1"	1.000" - 1.400"	x	1" Male	4/11	\$ 114.66
74754U5	1"	1.300" - 1.700"	x	1" Male	4/12	\$ 128.42
74754U5	1 1/2"	1.300" - 1.700"	x	1 1/2" Male	4/13	\$ 140.11
74754U6	1 1/2"	1.600" - 2.000"	x	1 1/2" Male	4/13	\$ 143.63
74754U7	2"	1.969" - 2.381"	x	2" Male	4/14	\$ 159.60

74758DBQ-U5

Q CTS x U5

Size	Carton PCS/WT	Price
1" x U5	5/20	\$ 188.19

74758U

Cambridge Coupling



Model	Compression Range		Compression Range	Carton PCS/WT	Price
74758U2	0.600" - 0.900"	x	0.600" - 0.900"	4/11	\$ 139.60
74758U2U3	0.600" - 0.900"	x	0.735" - 1.135"	4/11	\$ 144.32
74758U3	0.735" - 1.135"	x	0.735" - 1.135"	4/12	\$ 146.33
74758U3U4	0.735" - 1.135"	x	1.000" - 1.400"	4/14	\$ 155.55
74758U4	1.000" - 1.400"	x	1.000" - 1.400"	4/14	\$ 152.68
74758U4U5	1.000" - 1.400"	x	1.300" - 1.700"	4/18	\$ 181.84
74758U5	1.300" - 1.700"	x	1.300" - 1.700"	4/19	\$ 195.98
74758U5U6	1.300" - 1.700"	x	1.600" - 2.000"	4/21	\$ 213.29
74758U6	1.600" - 2.000"	x	1.600" - 2.000"	4/20	\$ 217.17
74758U6U7	1.600" - 2.000"	x	1.969" - 2.381"	4/23	\$ 239.44
74758U7	1.969" - 2.381"	x	1.969" - 2.381"	4/23	\$ 248.35

Straight Adaptors

ONE END MALE NATIONAL PIPE THREAD

A.Y. McDonald Service Fittings are manufactured to meet or exceed the AWWA C800 (latest revision) standard. Our service fittings are rated to withstand the same pressures as the tubing they are designed to fit. They are designed and tested for cold potable water only. EPDM rubber gaskets are used in our Compression fittings.

74753

Flare x MNPT



Size	Carton PCS/WT	Price
1/2"	50/17	\$ 14.22
1/2" x 3/4"	50/18	\$ 17.15
3/4"	50/32	\$ 21.78
3/4" x 1/2"	50/38	\$ 21.27
3/4" x 1"	50/36	\$ 25.06
1"	25/26	\$ 31.11
1" x 3/4"	25/27	\$ 33.23
1 1/4"	15/27	\$ 62.00
1 1/2"	12/31	\$ 95.95
2"	6/28	\$ 176.10

74753G

G CTS x MNPT



Size	Carton PCS/WT	Price
3/4"	50/34	\$ 24.50
3/4" x 1/2"	50/33	\$ 22.58
3/4" x 1"	50/35	\$ 26.75
1"	25/24	\$ 29.02
1" x 3/4"	25/22	\$ 27.12
1 1/4"	15/23	\$ 55.48
1 1/4" x 3/4"	15/21	\$ 54.06
1 1/4" x 1"	15/21	\$ 51.72
1 1/4" x 1 1/2"	10/16	\$ 62.66
1 1/2"	10/17	\$ 79.49
1 1/2" x 1"	15/24	\$ 71.79
1 1/2" x 1 1/4"	15/21	\$ 72.19
2"	10/25	\$ 115.81

74753T

T CTS x MNPT



Size	Carton PCS/WT	Price
3/4"	50/29	\$ 24.50
3/4" x 1/2"	50/29	\$ 22.58
3/4" x 1"	50/29	\$ 26.75
1"	25/21	\$ 29.02
1" x 3/4"	25/20	\$ 27.12
1 1/4"	15/20	\$ 55.48
1 1/4" x 3/4"	15/18	\$ 54.06
1 1/4" x 1"	15/21	\$ 51.72
1 1/4" x 1 1/2"	10/15	\$ 62.77
1 1/2"	15/20	\$ 79.49
1 1/2" x 1"	15/18	\$ 71.79
1 1/2" x 1 1/4"	15/20	\$ 72.19
2"	10/21	\$ 115.81
2" x 1 1/2"	10/17	\$ 95.69

74753-22

-22 CTS x MNPT



Size	Carton PCS/WT	Price
1/2"	50/20	\$ 23.78
1/2" x 3/4"	50/23	\$ 23.82
3/4"	50/28	\$ 24.50
3/4" x 1/2"	50/25	\$ 22.58
3/4" x 1"	50/28	\$ 26.75
1"	25/19	\$ 29.02
1" x 3/4"	25/17	\$ 27.12
1 1/4"	15/21	\$ 55.48
1 1/4" x 3/4"	15/18	\$ 54.06
1 1/4" x 1"	15/21	\$ 51.72
1 1/4" x 1 1/2"	10/16	\$ 62.77
1 1/2"	10/17	\$ 79.49
1 1/2" x 1"	15/24	\$ 71.79
1 1/2" x 1 1/4"	15/25	\$ 72.19
2"	10/27	\$ 115.81
2" x 1 1/2"	10/23	\$ 95.69
2 1/2"	10/35	\$ 139.16

74753QC

Q CTS x MNPT



Size	Carton PCS/WT	Price
1/2"	50/35	\$ 23.78
1/2" x 3/4"	25/18	\$ 23.82
5/8" x 3/4"	25/14	\$ 28.24

Not interchangeable with any
A.Y. McDonald compression system

74753Q

Q CTS x MNPT



Size	Carton PCS/WT	Price
3/4"	50/30	\$ 24.50
3/4" x 1/2"	50/28	\$ 22.58
3/4" x 1"	50/30	\$ 26.75
1"	25/23	\$ 29.02
1" x 3/4"	25/21	\$ 27.12
1 1/4"	15/21	\$ 55.48
1 1/4" x 3/4"	15/20	\$ 54.06
1 1/4" x 1"	15/21	\$ 51.72
1 1/4" x 1 1/2"	10/16	\$ 62.77
1 1/2"	10/15	\$ 79.49
1 1/2" x 1"	15/20	\$ 71.79
1 1/2" x 1 1/4"	15/21	\$ 72.19
2"	10/22	\$ 115.81

74753-33

-33 PEP-7 x MNPT



Size	Carton PCS/WT	Price
3/4"	25/19	\$ 32.47
3/4" x 1"	25/20	\$ 44.70
1"	15/21	\$ 47.14
1" x 3/4"	15/19	\$ 52.85
1" x 1 1/4"	15/20	\$ 63.41
1" x 1 1/2"	15/23	\$ 72.11
1 1/4"	10/20	\$ 71.41
1 1/4" x 1"	15/28	\$ 75.80
1 1/4" x 1 1/2"	10/21	\$ 80.16
1 1/2"	10/23	\$ 111.81
2"	6/21	\$ 177.69
2" x 1"	10/31	\$ 109.11

74753-3G

-3G PEP x MNPT



Size	Carton PCS/WT	Price
3/4"	25/24	\$ 32.47
3/4" x 1"	25/23	\$ 44.70
1"	15/23	\$ 47.14
1" x 3/4"	15/22	\$ 52.85
1" x 1 1/2"	15/39	\$ 72.13

74753-3Q

-3Q PEP x MNPT



Size	Carton PCS/WT	Price
3/4"	25/20	\$ 32.47
3/4" x 1"	25/23	\$ 44.70
1"	15/20	\$ 47.14
1" x 3/4"	15/21	\$ 52.85
1" x 1 1/2"	15/39	\$ 72.11

OPTIONS

See page 7 for pricing of the following:

- For Handyloc - Replace "Q" with "H" or "-3Q" with "3H" in 3/4" & 1".
- For C903 tube - Replace "Q" with "K". On "Q" Series options only 3/4" x 1" **only**.
- For valve or fitting less flare nut add "L" to end of model number.
- CTS Anode (QA) & Flare Anode (A) - Replace "Q" with "QA" or add "A" to flare.
- Insert stiffeners are **required** on all flexible plastic connections. (See page 18 for stiffeners)

Straight Adaptors

ONE END MALE NATIONAL PIPE THREAD

A.Y. McDonald Service Fittings are manufactured to meet or exceed the AWWA C800 (latest revision) standard. Our service fittings are rated to withstand the same pressures as the tubing they are designed to fit. They are designed and tested for cold potable water only. EPDM rubber gaskets are used in our Compression fittings.

74753-34

-34 PEP-9 x MNPT



Size	Carton PCS/WT	Price
3/4"	25/18	\$ 32.47
3/4" x 1"	25/19	\$ 44.70
1"	15/21	\$ 47.14
1" x 3/4"	15/19	\$ 52.85

74753-44

-44 PVC x MNPT



Size	Carton PCS/WT	Price
1/2"	50/25	\$ 29.19
1/2" x 3/4"	50/28	\$ 29.19
3/4"	25/18	\$ 32.47
3/4" x 1"	25/20	\$ 39.71
1"	15/21	\$ 50.62
1" x 3/4"	15/20	\$ 48.44
1" x 1 1/2"	15/24	\$ 74.92
1 1/4"	10/21	\$ 77.43
1 1/4" x 1"	15/31	\$ 82.07
1 1/4" x 1 1/2"	10/16	\$ 86.67
1 1/2"	10/21	\$ 99.57
1 1/2" x 1"	10/20	\$ 90.58
1 1/2" x 1 1/4"	10/19	\$ 91.64
2"	6/19	\$ 144.66
2" x 1"	10/35	\$ 95.29

74753-55

-55 IP x MNPT



Size	Carton PCS/WT	Price
3/4"	25/16	\$ 29.59
3/4" x 1"	25/18	\$ 43.76
1"	15/21	\$ 45.15
1" x 3/4"	15/20	\$ 43.49
1" x 1 1/2"	15/24	\$ 74.92
1 1/2"	10/21	\$ 91.18
1 1/2" x 1"	10/18	\$ 90.58
2"	6/18	\$ 118.86
2" x 1"	10/33	\$ 80.12

74753-67

-67 XStrong Lead x MNPT



Size	Carton PCS/WT	Price
1/2" x 3/4"	50/27	\$ 24.50
5/8" x 3/4"	25/19	\$ 32.47
3/4"	25/19	\$ 45.24
3/4" x 1"	25/19	\$ 55.40
1"	15/16	\$ 65.57
1" x 3/4"	15/16	\$ 60.50
1 1/4"	10/20	\$ 71.41
1 1/4" x 1"	15/28	\$ 71.41
1 1/2"	10/24	\$ 111.81
2"	6/26	\$ 222.41

74753-66

-66 Strong Lead x MNPT



Size	Carton PCS/WT	Price
5/8" x 3/4"	25/18	\$ 41.71
3/4"	25/18	\$ 43.98
1"	15/17	\$ 79.37
1" x 3/4"	15/18	\$ 70.58

74753-68

-68 XXStrong Lead x MNPT



Size	Carton PCS/WT	Price
1/2" x 3/4"	25/18	\$ 41.71
5/8" x 3/4"	25/19	\$ 43.98
3/4"	15/19	\$ 52.85
1"	15/19	\$ 73.98

74753REP-22

-22 CTS x MNPT

Size	Carton PCS/WT	Price
3/4" x 5.25	10/10	\$ 44.71
1" x 5.25	10/14	\$ 52.96

74753REP-33

-33 PEP x MNPT

Size	Carton PCS/WT	Price
3/4" x 5.25	25/36	\$ 56.41
3/4" x 1" x 5.25	15/29	\$ 65.96
1" x 5.25	10/21	\$ 75.51

74753REP-44

-44 PEP x MNPT

Size	Carton PCS/WT	Price
3/4" x 5.25	25/36	\$ 56.41
3/4" x 1" x 5.25	15/29	\$ 65.96
1" x 5.25	10/21	\$ 78.99

74753REPQ

Q CTS x MNPT



Size	Carton PCS/WT	Price
3/4" x 5.25	10/10	\$ 44.71
1" x 5.25	10/14	\$ 52.96

74753REP-55

-55 PEP x MNPT

Size	Carton PCS/WT	Price
3/4" x 5.25	25/36	\$ 53.53
3/4" x 1" x 5.25	15/29	\$ 65.96
1" x 5.25	10/21	\$ 73.52

OPTIONS

See page 7 for pricing of the following:

- For Handyloc - Replace "Q" with "H" or "-3Q" with "3H" in 3/4" & 1".
- For C903 tube - Replace "Q" with "K". On "Q" Series options only 3/4" x 1" **only**.
- For valve or fitting less flare nut add "L" to end of model number.
- CTS Anode (QA) & Flare Anode (A) - Replace "Q" with "QA" or add "A" to flare.
- Insert stiffeners are **required** on all flexible plastic connections. (See page 18 for stiffeners)

Straight Adaptors

ONE END FEMALE NATIONAL PIPE THREAD

A.Y. McDonald Service Fittings are manufactured to meet or exceed the AWWA C800 (latest revision) standard. Our service fittings are rated to withstand the same pressures as the tubing they are designed to fit. They are designed and tested for cold potable water only. EPDM rubber gaskets are used in our Compression fittings.

74754

Flare x FNPT



Size	Carton PCS/WT	Price
1/2"	50/22	\$ 24.06
1/2" x 3/4"	50/24	\$ 29.98
3/4"	50/34	\$ 21.52
3/4" x 1/2"	50/38	\$ 18.77
3/4" x 1"	25/18	\$ 28.19
1"	25/30	\$ 32.94
1" x 3/4"	25/27	\$ 32.99
1" x 1 1/4"	20/25	\$ 44.59
1 1/4"	15/38	\$ 61.92
1 1/2"	12/40	\$ 88.34
1 1/2" x 2"	12/39	\$ 112.31
2"	6/34	\$ 166.37

74754G

G CTS x FNPT



Size	Carton PCS/WT	Price
3/4"	50/31	\$ 25.76
3/4" x 1/2"	50/33	\$ 24.50
3/4" x 1"	25/18	\$ 30.68
1"	25/22	\$ 34.95
1" x 3/4"	25/21	\$ 30.36
1" x 1 1/4"	25/26	\$ 41.02
1" x 1 1/2"	10/18	\$ 52.88
1 1/4"	15/25	\$ 63.82
1 1/4" x 1"	25/32	\$ 54.48
1 1/2"	15/27	\$ 101.68
1 1/2" x 1"	15/23	\$ 91.63
2"	10/23	\$ 121.04

74754T

T CTS x FNPT



Size	Carton PCS/WT	Price
3/4"	50/27	\$ 25.76
3/4" x 1/2"	50/29	\$ 24.50
3/4" x 1"	25/16	\$ 30.68
1"	25/19	\$ 34.95
1" x 3/4"	25/18	\$ 30.36
1" x 1 1/4"	25/22	\$ 41.02
1" x 1 1/2"	10/18	\$ 52.88
1 1/4"	15/21	\$ 63.82
1 1/4" x 3/4"	15/17	\$ 57.56
1 1/4" x 1"	25/30	\$ 54.48
1 1/2"	10/14	\$ 101.68
1 1/2" x 1"	10/14	\$ 91.63
1 1/2" x 1 1/4"	15/20	\$ 76.03
2"	10/20	\$ 121.04
2" x 1 1/2"	10/18	\$ 102.50

74754-22

-22 CTS x FNPT



Size	Carton PCS/WT	Price
1/2"	50/22	\$ 27.20
1/2" x 3/4"	50/27	\$ 29.29
3/4"	50/25	\$ 25.76
3/4" x 1/2"	50/25	\$ 24.50
3/4" x 1"	25/15	\$ 30.68
3/4" x 1 1/4"	15/19	\$ 44.83
3/4" x 1 1/2"	15/23	\$ 63.75
1"	25/18	\$ 34.95
1" x 3/4"	25/17	\$ 30.36
1" x 1 1/4"	25/22	\$ 41.02
1" x 1 1/2"	10/13	\$ 52.88
1 1/4"	25/36	\$ 63.82
1 1/4" x 3/4"	15/21	\$ 57.56
1 1/4" x 1"	25/30	\$ 54.48
1 1/2"	10/18	\$ 101.68
1 1/2" x 1"	10/18	\$ 91.63
1 1/2" x 1 1/4"	15/24	\$ 76.03
2"	10/26	\$ 121.04
2" x 1 1/2"	10/24	\$ 102.50
2 1/2"	4/17	\$ 212.88

74754QC

Q CTS x FNPT



Size	Carton PCS/WT	Price
1/2"	50/38	\$ 27.20

Not interchangeable with any
A.Y. McDonald compression system

74754Q

Q CTS x FNPT



Size	Carton PCS/WT	Price
3/4"	50/27	\$ 25.76
3/4" x 1/2"	50/28	\$ 24.50
3/4" x 1"	25/15	\$ 30.68
3/4" x 1 1/4"	15/18	\$ 44.83
3/4" x 1 1/2"	15/23	\$ 63.75
1"	25/21	\$ 34.95
1" x 3/4"	25/19	\$ 30.36
1" x 1 1/4"	25/23	\$ 41.02
1" x 1 1/2"	10/14	\$ 52.88
1 1/4"	15/22	\$ 63.82
1 1/4" x 3/4"	25/35	\$ 57.56
1 1/4" x 1"	25/31	\$ 54.48
1 1/2"	15/22	\$ 101.68
1 1/2" x 1"	15/22	\$ 91.63
1 1/2" x 1 1/4"	15/21	\$ 76.03
2"	10/31	\$ 121.04

74754-33

-33 PEP-7 x FNPT



Size	Carton PCS/WT	Price
3/4"	50/35	\$ 31.71
3/4" x 1"	25/19	\$ 44.80
3/4" x 1 1/2"	10/18	\$ 74.86
1"	25/30	\$ 40.57
1" x 3/4"	15/20	\$ 44.10
1" x 1 1/4"	25/42	\$ 54.62
1 1/4"	10/21	\$ 58.48
1 1/4" x 1"	15/32	\$ 54.37
1 1/4" x 1 1/2"	10/27	\$ 77.56
1 1/2"	10/24	\$ 99.81
2"	6/21	\$ 161.08
2" x 3/4"	10/26	\$ 93.27
2" x 1"	10/24	\$ 97.86

74754-3G

-3G PEP x FNPT



Size	Carton PCS/WT	Price
3/4"	50/40	\$ 31.71
3/4" x 1"	25/21	\$ 40.57
3/4" x 1 1/2"	10/14	\$ 74.86
1"	25/31	\$ 40.57
1" x 3/4"	25/33	\$ 44.10
1" x 1 1/4"	15/21	\$ 49.00

74754-3Q

-3Q PEP x FNPT



Size	Carton PCS/WT	Price
3/4"	50/40	\$ 31.71
3/4" x 1"	25/21	\$ 44.80
3/4" x 1 1/2"	10/14	\$ 74.86
1"	25/31	\$ 40.57
1" x 3/4"	25/33	\$ 44.10

OPTIONS

See page 7 for pricing of the following:

- For Handyloc - Replace "Q" with "H" or "-3Q" with "3H" in 3/4" & 1".
- For C903 tube - Replace "Q" with "K". On "Q" Series options only 3/4" x 1" **only**.
- For valve or fitting less flare nut add "L" to end of model number.
- CTS Anode (QA) & Flare Anode (A) - Replace "Q" with "QA" or add "A" to flare.
- Insert stiffeners are **required** on all flexible plastic connections. (See page 18 for stiffeners)

Straight Adaptors

ONE END FEMALE NATIONAL PIPE THREAD

A.Y. McDonald Service Fittings are manufactured to meet or exceed the AWWA C800 (latest revision) standard. Our service fittings are rated to withstand the same pressures as the tubing they are designed to fit. They are designed and tested for cold potable water only. EPDM rubber gaskets are used in our Compression fittings.

74754-34

-34 PEP-9 x FNPT



Size	Carton PCS/WT	Price
3/4"	25/18	\$ 31.71
3/4" x 1"	25/18	\$ 44.80
1"	25/30	\$ 40.47
1" x 3/4"	15/19	\$ 44.10

74754-44

-44 PVC x FNPT



Size	Carton PCS/WT	Price
1/2"	50/26	\$ 25.60
1/2" x 3/4"	50/25	\$ 28.96
1/2" x 1"	50/31	\$ 32.06
3/4"	50/33	\$ 32.22
3/4" x 1"	25/19	\$ 44.80
3/4" x 1 1/2"	10/18	\$ 74.86
1"	25/30	\$ 49.69
1" x 3/4"	15/20	\$ 50.77
1" x 1 1/4"	25/45	\$ 48.98
1 1/4"	10/22	\$ 60.73
1 1/4" x 1 1/2"	10/17	\$ 77.89
1 1/2"	10/25	\$ 107.52
1 1/2" x 3/4"	10/20	\$ 89.95
1 1/2" x 1"	10/21	\$ 91.49
1 1/2" x 1 1/4"	10/20	\$ 92.81
2"	6/23	\$ 166.25
2" x 3/4"	10/40	\$ 80.80
2" x 1"	10/38	\$ 88.48

74754-55

-55 IP x FNPT



Size	Carton PCS/WT	Price
3/4"	50/29	\$ 29.35
3/4" x 1"	25/17	\$ 37.16
3/4" x 1 1/2"	10/18	\$ 74.86
1"	25/36	\$ 42.44
1" x 3/4"	15/20	\$ 40.60
1" x 1 1/4"	25/36	\$ 46.88
1 1/2"	10/24	\$ 101.68
1 1/2" x 1 1/4"	10/21	\$ 74.63
2"	6/21	\$ 142.57
2" x 3/4"	10/38	\$ 67.18
2" x 1"	10/36	\$ 72.68

74754-66

-66 Strong Lead x FNPT



Size	Carton PCS/WT	Price
5/8" x 3/4"	25/20	\$ 41.56
3/4"	25/18	\$ 42.14

74754-67

-67 XStrong Lead x FNPT



Size	Carton PCS/WT	Price
5/8" x 3/4"	50/34	\$ 31.78
5/8" x 1"	25/18	\$ 69.48
3/4"	25/19	\$ 60.48
1"	15/17	\$ 69.53

74754-68

-68 XXStrong Lead x FNPT



Size	Carton PCS/WT	Price
1/2" x 3/4"	25/21	\$ 41.56
5/8" x 3/4"	25/19	\$ 42.14
3/4"	15/20	\$ 44.10
1"	15/19	\$ 78.46

74754-22PLUG

-22 CTS x FNPT with Plug
Assembled Water Tight

Size	Carton PCS/WT	Price
3/4"	25/19	\$ 45.69
1"	25/25	\$ 56.48

74754-44PLUG

-44 PVC x FNPT with Plug
Assembled Water Tight

Size	Carton PCS/WT	Price
1"	25/38	\$ 71.96

74754-33PLUG

-33 PEP-7 x FNPT with Plug
Assembled Water Tight

Size	Carton PCS/WT	Price
1"	25/38	\$ 62.39

OPTIONS

See page 7 for pricing of the following:

- For Handyloc - Replace "Q" with "H" or "-3Q" with "3H" in 3/4" & 1".
- For C903 tube - Replace "Q" with "K". On "Q" Series options only 3/4" x 1" **only**.
- For valve or fitting less flare nut add "L" to end of model number.
- CTS Anode (QA) & Flare Anode (A) - Replace "Q" with "QA" or add "A" to flare.
- Insert stiffeners are **required** on all flexible plastic connections. (See page 18 for stiffeners)

Straight Adaptors

ONE END FEMALE COPPER FLARE

A.Y. McDonald Service Fittings are manufactured to meet or exceed the AWWA C800 (latest revision) standard. Our service fittings are rated to withstand the same pressures as the tubing they are designed to fit. They are designed and tested for cold potable water only. EPDM rubber gaskets are used in our Compression fittings.

The 74755 series fittings are designed to connect any A.Y. McDonald flare end to a different size or end connection.

- Note: 4755GSKT copper gasket included with all 74755 connections.

74755M

MNPT x Female Flare



Size	Carton PCS/WT	Price
1/2" x 3/4"	25/9	\$ 19.43
3/4"	25/8	\$ 14.08
1"	25/13	\$ 24.63
1 1/2"	10/14	\$ 53.40
2"	10/22	\$ 90.83

74755F

FNPT x Female Flare



Size	Carton PCS/WT	Price
1/2"	25/11	\$ 15.18
3/4"	25/11	\$ 17.79
3/4" x 1/2"	25/10	\$ 17.79
1"	25/15	\$ 30.06
1" x 3/4"	25/19	\$ 29.78
1" x 1 1/4"	20/24	\$ 65.97
1" x 1 1/2"	20/28	\$ 79.16
1" x 2"	10/22	\$ 121.00
1 1/4"	20/26	\$ 46.05
1 1/4" x 1"	25/27	\$ 57.79
1 1/4" x 1 1/2"	20/29	\$ 73.78
1 1/4" x 2"	10/26	\$ 130.46
1 1/2"	20/28	\$ 63.97
1 1/2" x 2"	10/22	\$ 130.61
2"	10/23	\$ 109.63
2" x 1 1/2"	10/20	\$ 72.75
2 1/2" x 2"	10/31	\$ 130.80

74755

Flare x Female Flare



Size	Carton PCS/WT	Price
1/2" x 3/4"	25/13	\$ 18.17
3/4" x 1/2"	25/17	\$ 21.68
3/4" x 1"	25/22	\$ 32.65
1" x 3/4"	25/32	\$ 32.99
1" x 1 1/4"	20/33	\$ 63.82
1" x 1 1/2"	10/19	\$ 98.87
1" x 2"	10/26	\$ 140.38
1 1/4" x 1"	15/40	\$ 66.76
1 1/4" x 1 1/2"	10/24	\$ 114.46
1 1/4" x 2"	10/34	\$ 170.39
1 1/2" x 1"	10/34	\$ 91.63
1 1/2" x 1 1/4"	10/38	\$ 103.55
1 1/2" x 2"	10/40	\$ 184.49

74755-22

-22 CTS x Female Flare



Size	Carton PCS/WT	Price
1/2" x 3/4"	25/15	\$ 30.26
3/4"	25/15	\$ 27.89
3/4" x 1/2"	25/14	\$ 31.18
3/4" x 1"	25/19	\$ 34.77
1"	25/21	\$ 40.97
1" x 3/4"	25/24	\$ 32.50
1" x 1 1/4"	20/26	\$ 48.23
1" x 1 1/2"	10/16	\$ 78.44
1" x 2"	10/24	\$ 108.77
1 1/4"	10/16	\$ 67.93
1 1/4" x 1"	15/24	\$ 68.98
1 1/4" x 1 1/2"	10/20	\$ 93.47
1 1/4" x 2"	10/29	\$ 124.28
1 1/2"	10/25	\$ 94.68
1 1/2" x 2"	10/35	\$ 147.87
2"	6/25	\$ 147.65

74755G

G CTS x Female Flare



Size	Carton PCS/WT	Price
3/4"	25/18	\$ 27.89
3/4" x 1/2"	25/15	\$ 31.18
3/4" x 1"	25/22	\$ 34.81
1"	25/26	\$ 40.97
1" x 3/4"	25/29	\$ 32.50
1" x 1 1/4"	20/30	\$ 47.47
1" x 1 1/2"	10/18	\$ 78.44
1 1/4"	10/18	\$ 67.93
1 1/4" x 3/4"	25/38	\$ 50.55
1 1/4" x 1"	15/25	\$ 68.98
1 1/4" x 2"	10/29	\$ 124.28
1 1/2"	10/25	\$ 86.07
1 1/2" x 2"	10/31	\$ 147.87
2"	6/22	\$ 147.65

74755Q

Q CTS x Female Flare



Size	Carton PCS/WT	Price
3/4"	25/16	\$ 27.89
3/4" x 1/2"	25/15	\$ 31.18
3/4" x 1"	25/21	\$ 34.77
1"	25/25	\$ 40.97
1" x 3/4"	25/27	\$ 32.50
1" x 1 1/4"	20/29	\$ 47.47
1" x 1 1/2"	10/17	\$ 78.44
1 1/4"	10/17	\$ 67.93
1 1/4" x 3/4"	25/38	\$ 50.55
1 1/4" x 1"	15/25	\$ 68.98
1 1/4" x 2"	10/29	\$ 124.28
1 1/2"	10/22	\$ 94.68
1 1/2" x 2"	10/31	\$ 147.87
2"	6/21	\$ 147.65

OPTIONS

See page 7 for pricing of the following:

- For Handyloc - Replace "Q" with "H" or "-3Q" with "3H" in 3/4" & 1".
- For C903 tube - Replace "Q" with "K". On "Q" Series options only 3/4" x 1" **only**.
- For valve or fitting less flare nut add "L" to end of model number.
- CTS Anode (QA) & Flare Anode (A) - Replace "Q" with "QA" or add "A" to flare.
- Insert stiffeners are **required** on all flexible plastic connections. (See page 18 for stiffeners)

Straight Adaptors

ONE END FEMALE COPPER FLARE

A.Y. McDonald Service Fittings are manufactured to meet or exceed the AWWA C800 (latest revision) standard. Our service fittings are rated to withstand the same pressures as the tubing they are designed to fit. They are designed and tested for cold potable water only. EPDM rubber gaskets are used in our Compression fittings.

The 74755 series fittings are designed to connect any A.Y. McDonald flare end to a different size or end connection.

- Note: 4755GSKT copper gasket included with all 74755 connections.

74755T

T CTS x Female Flare



Size	Carton PCS/WT	Price
3/4"	25/17	\$ 27.89
3/4" x 1/2"	25/15	\$ 31.18
3/4" x 1"	25/21	\$ 34.77
1"	25/25	\$ 40.97
1" x 3/4"	25/27	\$ 32.50
1" x 1 1/4"	20/34	\$ 48.23
1" x 1 1/2"	10/16	\$ 78.44
1" x 2"	10/23	\$ 108.77
1 1/4"	10/24	\$ 67.93
1 1/4" x 1"	15/22	\$ 68.98
1 1/4" x 1 1/2"	10/20	\$ 93.47
1 1/4" x 2"	10/28	\$ 124.28
1 1/2"	10/21	\$ 94.68
1 1/2" x 2"	10/30	\$ 147.87
2"	6/29	\$ 147.65

74755-33

-33 PEP-7 x Female Flare



Size	Carton PCS/WT	Price
3/4"	25/26	\$ 33.84
1"	15/23	\$ 54.62
1" x 1 1/4"	10/16	\$ 67.93
1" x 3/4"	25/33	\$ 48.53
1 1/4"	10/28	\$ 78.02
1 1/2"	10/20	\$ 120.96
2"	6/25	\$ 208.94

74755-3G

-3G PEP x Female Flare



Size	Carton PCS/WT	Price
3/4"	25/30	\$ 33.84
1"	15/25	\$ 54.62
1" x 3/4"	25/38	\$ 48.53
1" x 1 1/4"	10/19	\$ 67.93

74755-3Q

-3Q PEP x Female Flare



Size	Carton PCS/WT	Price
3/4"	25/30	\$ 33.84
1"	15/24	\$ 54.62
1" x 3/4"	25/38	\$ 48.53
1" x 1 1/4"	10/17	\$ 67.93

74755-34

-34 PEP-9 x Female Flare

Size	Carton PCS/WT	Price
3/4"	25/26	\$ 33.84
1"	15/23	\$ 54.62

74755-44

-44 PVC x Female Flare



Size	Carton PCS/WT	Price
3/4"	25/25	\$ 33.84
1"	15/24	\$ 54.62
1" x 3/4"	25/38	\$ 50.55
1" x 1 1/4"	10/17	\$ 67.93
1" x 2"	10/28	\$ 124.28
1 1/4"	20/34	\$ 78.02
1 1/2"	10/20	\$ 116.47
2"	6/28	\$ 181.18

74755-55

-55 IP x Female Flare



Size	Carton PCS/WT	Price
3/4"	25/25	\$ 33.90
1"	15/25	\$ 56.69
1" x 3/4"	25/38	\$ 50.55
1" x 1 1/4"	10/17	\$ 67.93
1" x 2"	10/28	\$ 124.28
1 1/4"	20/34	\$ 78.02
1 1/2"	10/20	\$ 131.36
2"	6/27	\$ 187.84

4755GSKT

Copper Gasket for 74755 Connection

Size	Carton PCS/WT	Price
1/2"	25/1	\$ 2.02
3/4"	25/1	\$ 2.02
1"	25/1	\$ 2.86
1 1/4"	10/1	\$ 3.25
1 1/2"	10/1	\$ 4.60
2"	10/1	\$ 5.82

76130CC

Female Flare x Copper Tube Compression Coupling



Size	Carton PCS/WT	Price
3/4"	40/20	\$ 27.45
1"	40/30	\$ 38.86

76130CE

Female Flare x CTS PE Compression Coupling includes Stiffener



Size	Carton PCS/WT	Price
3/4"	40/19	\$ 27.45
1"	40/31	\$ 38.86

OPTIONS

See page 7 for pricing of the following:

- For Handyloc - Replace "Q" with "H" or "-3Q" with "3H" in 3/4" & 1".
- For C903 tube - Replace "Q" with "K". On "Q" Series options only 3/4" x 1" **only**.
- For valve or fitting less flare nut add "L" to end of model number.
- CTS Anode (QA) & Flare Anode (A) - Replace "Q" with "QA" or add "A" to flare.
- Insert stiffeners are **required** on all flexible plastic connections. (See page 18 for stiffeners)

Straight Couplings

SAME CONNECTIONS ON BOTH ENDS - NO INTERNAL PIPE STOP

A.Y. McDonald Service Fittings are manufactured to meet or exceed the AWWA C800 (latest revision) standard. Our service fittings are rated to withstand the same pressures as the tubing they are designed to fit. They are designed and tested for cold potable water only. EPDM rubber gaskets are used in our Compression fittings.

74758

Flare x Flare



Size	Carton PCS/WT	Price
1/2"	50/28	\$ 30.84
1/2" x 3/4"	50/45	\$ 23.76
3/4"	25/25	\$ 27.50
3/4" x 1"	25/38	\$ 40.77
1"	25/42	\$ 48.19
1 1/4"	10/35	\$ 98.87
1 1/2"	6/30	\$ 144.65
2"	4/33	\$ 236.04

74758G

G CTS x G CTS



Size	Carton PCS/WT	Price
3/4"	25/27	\$ 29.83
3/4" x 1"	25/33	\$ 34.66
3/4" x 1 1/4"	25/41	\$ 64.40
1"	25/40	\$ 34.13
1" x 1 1/4"	15/31	\$ 55.09
1" x 1 1/2"	15/33	\$ 81.58
1 1/4"	10/25	\$ 58.91
1 1/4" x 1 1/2"	10/18	\$ 94.56
1 1/2"	10/29	\$ 114.18
2"	10/39	\$ 154.19

74758T

T CTS x T CTS



Size	Carton PCS/WT	Price
3/4"	25/23	\$ 29.83
3/4" x 1"	25/28	\$ 34.66
3/4" x 1 1/4"	15/23	\$ 64.40
1"	25/33	\$ 34.13
1" x 1 1/4"	15/28	\$ 55.09
1" x 1 1/2"	15/25	\$ 81.58
1 1/4"	10/20	\$ 58.91
1 1/4" x 1 1/2"	10/18	\$ 94.56
1 1/2"	10/21	\$ 114.18
1 1/2" x 2"	10/22	\$ 124.41
2"	10/30	\$ 154.19

74758-22

-22 CTS x -22 CTS



Size	Carton PCS/WT	Price
1/2"	50/32	\$ 31.20
1/2" x 3/4"	25/19	\$ 30.54
3/4"	25/20	\$ 29.83
3/4" x 1"	25/24	\$ 34.66
3/4" x 1 1/4"	15/24	\$ 64.40
13/16	25/19	\$ 45.92
13/16 x 3/4"	25/19	\$ 37.88
1"	25/28	\$ 34.13
1" x 1 1/4"	15/27	\$ 55.09
1" x 1 1/2"	15/30	\$ 81.58
1 1/4"	10/21	\$ 58.91
1 1/4" x 1 1/2"	10/24	\$ 94.56
1 1/4" x 2"	10/31	\$ 118.41
1 1/2"	10/28	\$ 114.18
1 1/2" x 2"	10/32	\$ 124.41
2"	5/21	\$ 154.19
2 1/2"	4/21	\$ 228.30

74758QC

Q CTS x Q CTS



Size	Carton PCS/WT	Price
1/2"	25/24	\$ 31.16
1/2" x 5/8"	25/21	\$ 34.29
1/2" x 3/4"	25/24	\$ 30.54
5/8"	25/20	\$ 37.52
5/8" x 3/4"	25/22	\$ 29.51

Not interchangeable with any
A.Y. McDonald compression system

74758-33

-33 PEP-7 x -33 PEP-7



Size	Carton PCS/WT	Price
3/4"	25/31	\$ 37.26
3/4" x 1"	15/27	\$ 57.56
3/4" x 2"	10/38	\$ 123.49
1"	10/21	\$ 74.45
1" x 1 1/2"	10/31	\$ 118.41
1 1/4"	5/18	\$ 105.28
1 1/2"	5/22	\$ 162.20
2"	4/21	\$ 218.57

74758Q

Q CTS x Q CTS



Size	Carton PCS/WT	Price
3/4"	25/23	\$ 29.83
3/4" x 1"	25/29	\$ 34.66
3/4" x 1 1/4"	25/42	\$ 64.40
1"	25/36	\$ 34.13
1" x 1 1/4"	15/30	\$ 55.09
1" x 1 1/2"	15/27	\$ 81.58
1 1/4"	10/20	\$ 58.91
1 1/4" x 1 1/2"	10/23	\$ 94.56
1 1/2"	10/23	\$ 114.18
2"	10/31	\$ 154.19

74758-3G

-3G PEP x -3G PEP



Size	Carton PCS/WT	Price
3/4"	25/41	\$ 37.26
3/4" x 1"	15/33	\$ 57.65
1"	10/24	\$ 74.45

74758-3Q

-3Q PEP x -3Q PEP



Size	Carton PCS/WT	Price
3/4"	25/36	\$ 37.26
3/4" x 1"	15/29	\$ 57.65
1"	10/21	\$ 74.45

OPTIONS

See page 7 for pricing of the following:

- For Handyloc - Replace "Q" with "H" or "-3Q" with "3H" in 3/4" & 1".
- For C903 tube - Replace "Q" with "K". On "Q" Series options only 3/4" x 1" **only**.
- For valve or fitting less flare nut add "L" to end of model number.
- CTS Anode (QA) & Flare Anode (A) - Replace "Q" with "QA" or add "A" to flare.
- Insert stiffeners are **required** on all flexible plastic connections. (See page 18 for stiffeners)

74758-34

-34 PEP-9 x -34 PEP-9



Size	Carton PCS/WT	Price
3/4"	25/30	\$ 37.26
3/4" x 1"	15/27	\$ 57.56
1"	10/18	\$ 74.75

Straight Couplings

SAME CONNECTIONS ON BOTH ENDS - NO INTERNAL PIPE STOP

A.Y. McDonald Service Fittings are manufactured to meet or exceed the AWWA C800 (latest revision) standard. Our service fittings are rated to withstand the same pressures as the tubing they are designed to fit. They are designed and tested for cold potable water only. EPDM rubber gaskets are used in our Compression fittings.

74758-44

-44 PVC x -44 PVC



Size	Carton PCS/WT	Price
1/2"	25/21	\$ 29.83
3/4"	25/30	\$ 43.56
3/4" x 1"	15/27	\$ 59.45
3/4" x 2"	10/40	\$ 126.69
1"	10/19	\$ 73.98
1 1/4"	10/26	\$ 106.14
1 1/2"	5/15	\$ 144.36
2"	4/21	\$ 218.37

74756 Two Part Union

Flare x Flare

Size	Carton PCS/WT	Price
3/4"	50/32	\$ 24.23
1"	25/26	\$ 37.53
1 1/4"	20/43	\$ 68.18
1 1/2"	10/25	\$ 90.49
2"	6/26	\$ 174.97

74756-CTS

Fast Connect Fitting



Size	Carton PCS/WT	Price
3/4"	25/15	\$ 29.83
3/4" x 1"	25/24	\$ 34.66
1"	25/26	\$ 34.13
1 1/4"	20/32	\$ 58.91
1 1/2"	10/17	\$ 114.18
2"	10/23	\$ 154.19

74756-PEP

Fast Connect Fitting

Size	Carton PCS/WT	Price
3/4"	25/29	\$ 37.26
1"	20/32	\$ 74.45

OPTIONS

See page 7 for pricing of the following:

- For Handyloc - Replace "Q" with "H" or "-3Q" with "3H" in 3/4" & 1".
- For C903 tube - Replace "Q" with "K". On "Q" Series options only 3/4" x 1" **only**.
- For valve or fitting less flare nut add "L" to end of model number.
- CTS Anode (QA) & Flare Anode (A) - Replace "Q" with "QA" or add "A" to flare.
- Insert stiffeners are **required** on all flexible plastic connections. (See page 18 for stiffeners)

74758-55

-55 IP x -55 IP



Size	Carton PCS/WT	Price
3/4"	25/25	\$ 32.85
3/4" x 1"	15/26	\$ 42.41
3/4" x 2"	10/38	\$ 88.05
1"	10/20	\$ 58.00
1 1/2"	5/15	\$ 113.15
2"	4/20	\$ 148.95

74758-66

-66 Strong Lead x -66 Strong Lead



Size	Carton PCS/WT	Price
5/8"	25/30	\$ 50.09
3/4"	25/25	\$ 50.09
1"	10/17	\$ 104.77

74756WR

Wedding Ring for Two Part Union

Size	Carton PCS/WT	Price
3/4"	50/2	\$ 4.72
1"	50/4	\$ 5.46
1 1/4"	50/6	\$ 6.80
1 1/2"	50/19	\$ 8.68
2"	50/30	\$ 16.59

74758REP-22

-22 CTS x -22 CTS



Size	Carton PCS/WT	Price
3/4" x 4.75	10/13	\$ 49.27
1" x 4.75	10/16	\$ 56.34
1 1/4" x 4.75	10/27	\$ 84.27

74758REP-33

-33 PEP x -33 PEP

Size	Carton PCS/WT	Price
3/4" x 4.75	10/13	\$ 59.47
1" x 4.75	10/16	\$ 99.81

74758REP-44

-44 PVC x -44 PVC

Size	Carton PCS/WT	Price
3/4" x 4.75	10/13	\$ 65.77
1" x 4.75	10/16	\$ 99.34

74758-67

-67 XStrong Lead x -67 XStrong Lead



Size	Carton PCS/WT	Price
1/2"	25/20	\$ 29.83
5/8"	25/33	\$ 37.26
3/4"	25/38	\$ 61.29
1"	10/22	\$ 115.30
1 1/4"	5/18	\$ 105.28

74758-68

-68 XXStrong Lead x -68 XXStrong Lead



Size	Carton PCS/WT	Price
1/2"	25/21	\$ 50.09
5/8"	25/25	\$ 50.09
3/4"	10/5	\$ 74.45

74758REPQ

Q CTS x Q CTS

Size	Carton PCS/WT	Price
3/4" x 4.75	10/15	\$ 49.27
1" x 4.75	10/19	\$ 56.34
1 1/4" x 4.75	10/27	\$ 84.27

74758REPG

G CTS x G CTS

Size	Carton PCS/WT	Price
3/4" x 4.75	10/15	\$ 49.27
1" x 4.75	10/16	\$ 56.34
1 1/4" x 4.75	10/27	\$ 84.27

74758REPT

T CTS x T CTS

Size	Carton PCS/WT	Price
3/4" x 4.75	10/13	\$ 49.27
1" x 4.75	10/14	\$ 56.34
1 1/4" x 4.75	10/27	\$ 84.27

74758REP-3Q

-3Q PEP x -3Q PEP

Size	Carton PCS/WT	Price
3/4" x 4.75	10/13	\$ 59.47
1" x 4.75	10/16	\$ 99.81

74758REP-55

-55 IP x -55 IP

Size	Carton PCS/WT	Price
3/4" x 4.75	10/13	\$ 55.06
1" x 4.75	10/16	\$ 83.96

Straight Couplings

ONE END FLARE NUT

A.Y. McDonald Service Fittings are manufactured to meet or exceed the AWWA C800 (latest revision) standard. Our service fittings are rated to withstand the same pressures as the tubing they are designed to fit. They are designed and tested for cold potable water only. EPDM rubber gaskets are used in our Compression fittings.

74758C-22

Flare x -22 CTS



Size	Carton PCS/WT	Price
3/4"	25/22	\$ 41.06
3/4" x 1"	25/30	\$ 42.77
1"	25/36	\$ 66.44
1" x 3/4"	25/35	\$ 54.61
1" x 1 1/4"	15/31	\$ 80.95

74758C-33

Flare x -33 PEP-7



Size	Carton PCS/WT	Price
3/4"	25/32	\$ 42.94
1"	15/30	\$ 70.11
1" x 3/4"	25/37	\$ 63.90
1" x 2"	10/38	\$ 169.05

74758C-44

Flare x -44 PVC



Size	Carton PCS/WT	Price
3/4"	25/32	\$ 44.98
1"	15/30	\$ 79.31
1" x 3/4"	25/37	\$ 70.46
1" x 2"	10/41	\$ 167.66

74758CG

Flare x G CTS



Size	Carton PCS/WT	Price
3/4"	25/24	\$ 41.06
3/4" x 1"	25/34	\$ 42.77
1"	25/39	\$ 66.44
1" x 3/4"	25/25	\$ 54.61
1" x 1 1/4"	15/35	\$ 80.95

74758C-3G

Flare x -3G PEP



Size	Carton PCS/WT	Price
3/4"	25/31	\$ 42.94
1"	15/30	\$ 70.16
1" x 3/4"	25/48	\$ 63.90

74758C-55

Flare x -55 IP



Size	Carton PCS/WT	Price
3/4"	25/28	\$ 42.16
1"	15/32	\$ 67.73
1" x 3/4"	25/35	\$ 60.19
1" x 2"	10/40	\$ 142.10

74758CQ

Flare x Q CTS



Size	Carton PCS/WT	Price
3/4"	25/24	\$ 41.06
3/4" x 1"	25/31	\$ 42.77
1"	25/39	\$ 66.44
1" x 3/4"	25/25	\$ 54.61
1" x 1 1/4"	15/31	\$ 80.95

74758C-3Q

Flare x -3Q PEP



Size	Carton PCS/WT	Price
3/4"	25/31	\$ 42.94
1"	15/31	\$ 66.52
1" x 3/4"	25/48	\$ 63.90

74758C-66

Flare x -66 Strong Lead



Size	Carton PCS/WT	Price
3/4"	25/29	\$ 45.86
3/4" x 5/8"	25/32	\$ 46.96
1"	15/27	\$ 95.57
1" x 5/8"	25/37	\$ 70.90
1" x 3/4"	25/34	\$ 80.39

74758CT

Flare x T CTS



Size	Carton PCS/WT	Price
3/4"	25/24	\$ 41.06
3/4" x 1"	25/28	\$ 42.77
1"	25/38	\$ 66.44
1" x 3/4"	25/25	\$ 54.61
1" x 1 1/4"	15/34	\$ 80.95

74758C-34

Flare x -34 PEP-9



Size	Carton PCS/WT	Price
1"	15/30	\$ 70.11
3/4"	25/32	\$ 42.94
1" x 3/4"	25/37	\$ 63.90

74758C-67

Flare x -67 XStrong Lead



Size	Carton PCS/WT	Price
3/4"	25/29	\$ 54.19
3/4" x 1/2"	25/22	\$ 41.06
3/4" x 5/8"	25/30	\$ 42.94
1"	15/26	\$ 68.13
1" x 5/8"	25/37	\$ 50.37
1" x 3/4"	25/21	\$ 77.48

74758C-68

Flare x -68 XXStrong Lead



Size	Carton PCS/WT	Price
3/4"	15/24	\$ 63.88
3/4" x 1/2"	25/32	\$ 46.96
3/4" x 5/8"	25/28	\$ 45.86
1"	15/30	\$ 86.19
1" x 1/2"	25/37	\$ 78.93
1" x 5/8"	25/36	\$ 80.39
1" x 3/4"	15/30	\$ 77.48

OPTIONS

See page 7 for pricing of the following:

- For Handyloc - Replace "Q" with "H" or "-3Q" with "3H" in 3/4" & 1".
- For C903 tube - Replace "Q" with "K". On "Q" Series options only 3/4" x 1" **only**.
- For valve or fitting less flare nut add "L" to end of model number.
- CTS Anode (QA) & Flare Anode (A) - Replace "Q" with "QA" or add "A" to flare.
- Insert stiffeners are **required** on all flexible plastic connections. (See page 18 for stiffeners)

Straight Couplings

CROSS CONNECTIONS

A.Y. McDonald Service Fittings are manufactured to meet or exceed the AWWA C800 (latest revision) standard. Our service fittings are rated to withstand the same pressures as the tubing they are designed to fit. They are designed and tested for cold potable water only. EPDM rubber gaskets are used in our Compression fittings.

74758-22-33

-22 CTS x -33 PEP-7



Size	Carton PCS/WT	Price
3/4"	25/24	\$ 35.66
3/4" x 1"	15/24	\$ 56.31
1"	15/26	\$ 53.86
1" x 3/4"	25/30	\$ 37.19
1" x 1 1/4"	15/36	\$ 92.93
1" x 2"	10/36	\$ 117.67
1 1/4" x 1"	10/21	\$ 53.56
1 1/2"	10/32	\$ 157.06
1 1/2" x 1 1/4"	5/19	\$ 136.58
2"	4/19	\$ 183.41
2" x 1"	10/31	\$ 118.41

74758-22-34

-22 CTS x -34 PEP-9



Size	Carton PCS/WT	Price
3/4"	25/24	\$ 35.66
3/4" x 1"	15/27	\$ 56.31
1"	25/30	\$ 53.86
1" x 3/4"	15/23	\$ 37.19

74758-22-44

-22 CTS x -44 PVC



Size	Carton PCS/WT	Price
1/2"	25/19	\$ 34.25
3/4"	25/27	\$ 40.31
3/4" x 1/2"	25/20	\$ 29.83
3/4" x 1"	15/24	\$ 56.44
1"	15/27	\$ 58.26
1" x 3/4"	25/30	\$ 42.56
1" x 1 1/4"	15/38	\$ 89.16
1" x 2"	10/41	\$ 117.67
1 1/4"	10/23	\$ 149.40
1 1/4" x 1"	10/21	\$ 53.56
1 1/2"	5/18	\$ 157.13
2"	4/20	\$ 183.41
2" x 1"	10/31	\$ 118.41

74758REP-22-33

-22 CTS x -33 PEP-7

Size	Carton PCS/WT	Price
1" x 3/4" x 4.75	25/30	\$ 59.40
1 1/4" x 1" x 4.75	15/23	\$ 99.81

OPTIONS

See page 7 for pricing of the following:

- For Handyloc - Replace "Q" with "H" or "-3Q" with "3H" in 3/4" & 1".
- For C903 tube - Replace "Q" with "K". On "Q" Series options only 3/4" x 1" **only**.
- For valve or fitting less flare nut add "L" to end of model number.
- CTS Anode (QA) & Flare Anode (A) - Replace "Q" with "QA" or add "A" to flare.
- Insert stiffeners are **required** on all flexible plastic connections. (See page 18 for stiffeners)

74758-22-55

-22 CTS x -55 IP

Size	Carton PCS/WT	Price
3/4"	25/24	\$ 33.03
3/4" x 1"	15/24	\$ 45.55
1"	15/28	\$ 44.31
1" x 3/4"	25/28	\$ 37.13
1" x 2"	10/39	\$ 99.51
1 1/4" x 1"	10/21	\$ 53.56
1 1/2"	5/17	\$ 147.72
2"	5/18	\$ 160.49
2" x 1"	10/31	\$ 118.41

74758-22-66

-22 CTS x -66 Strong Lead



Size	Carton PCS/WT	Price
3/4"	25/24	\$ 55.00
3/4" x 5/8"	25/28	\$ 50.28
1"	15/23	\$ 101.88
1" x 3/4"	25/26	\$ 51.24
1 1/4" x 1"	10/20	\$ 62.28

74758-22-67

-22 CTS x -67 X Strong Lead



Size	Carton PCS/WT	Price
3/4"	25/26	\$ 62.44
3/4" x 1/2"	25/21	\$ 29.83
3/4" x 5/8"	25/26	\$ 35.66
3/4" x 1"	15/21	\$ 96.78
1"	15/22	\$ 99.65
1" x 5/8"	25/31	\$ 37.19
1" x 3/4"	25/36	\$ 79.06
1" x 1 1/4"	15/36	\$ 125.55
1 1/4" x 1"	10/20	\$ 60.03
1 1/2"	10/32	\$ 160.73
1 1/2" x 1 1/4"	5/18	\$ 136.58
2"	4/19	\$ 259.65

74758-22-68

-22 CTS x -68 XX Strong Lead



Size	Carton PCS/WT	Price
3/4"	15/23	\$ 56.31
3/4" x 1/2"	25/29	\$ 50.28
3/4" x 5/8"	25/24	\$ 55.00
3/4" x 1"	15/23	\$ 94.12
1"	15/25	\$ 91.37
1" x 5/8"	25/27	\$ 51.24
1" x 3/4"	15/26	\$ 79.06
1 1/4" x 1"	10/20	\$ 51.76

74758G-22

- G CTS x -22 CTS



Size	Carton PCS/WT	Price
3/4" x 1/2"	25/21	\$ 30.54

74758G-33

- G CTS x -33 PEP-7



Size	Carton PCS/WT	Price
3/4"	25/29	\$ 35.66
3/4" x 1"	15/24	\$ 56.24
1"	15/30	\$ 53.86
1" x 3/4"	25/33	\$ 42.56
1" x 2"	10/37	\$ 120.34
2"	4/17	\$ 183.41

74758G-3G

- G CTS x -3G PEP



Size	Carton PCS/WT	Price
3/4"	25/34	\$ 35.66
3/4" x 1"	15/28	\$ 56.31
1"	15/32	\$ 53.86
1" x 3/4"	25/36	\$ 40.14

74758G-3Q

- G CTS x -3Q PEP



Size	Carton PCS/WT	Price
3/4"	25/34	\$ 35.66
3/4" x 1"	15/28	\$ 56.31
1"	15/29	\$ 53.86
1" x 3/4"	25/36	\$ 40.14

Straight Couplings

CROSS CONNECTIONS

A.Y. McDonald Service Fittings are manufactured to meet or exceed the AWWA C800 (latest revision) standard. Our service fittings are rated to withstand the same pressures as the tubing they are designed to fit. They are designed and tested for cold potable water only. EPDM rubber gaskets are used in our Compression fittings.

74758G-44
G CTS x -44 PVC



Size	Carton PCS/WT	Price
3/4"	25/29	\$ 40.31
3/4"x 1/2"	25/24	\$ 29.83
3/4" x 1"	15/26	\$ 56.44
1"	15/29	\$ 58.26
1" x 3/4"	25/35	\$ 42.58
1" x 2"	10/41	\$ 120.33
1 1/4"	10/44	\$ 149.40
2"	4/19	\$ 183.41

74758G-55
G CTS x -55 IP



Size	Carton PCS/WT	Price
3/4"	25/25	\$ 33.01
3/4" x 1"	15/26	\$ 45.55
1"	15/30	\$ 44.31
1" x 3/4"	25/33	\$ 37.13
1" x 2"	10/41	\$ 120.33
2"	4/18	\$ 160.49

74758G-67
G CTS x -67 X Strong Lead



Size	Carton PCS/WT	Price
3/4"	25/28	\$ 62.44
1"	15/25	\$ 99.65

74758G-68
G CTS x -68 XX Strong Lead



Size	Carton PCS/WT	Price
3/4"	15/25	\$ 56.31

74758Q-22
Q CTS x -22 CTS



Size	Carton PCS/WT	Price
3/4" x 1/2"	25/19	\$ 30.54

OPTIONS

See page 7 for pricing of the following:

- For Handyloc - Replace "Q" with "H" or "-3Q" with "3H" in 3/4" & 1".
- For C903 tube - Replace "Q" with "K". On "Q" Series options only 3/4" x 1" **only**.
- For valve or fitting less flare nut add "L" to end of model number.
- CTS Anode (QA) & Flare Anode (A) - Replace "Q" with "QA" or add "A" to flare.
- Insert stiffeners are **required** on all flexible plastic connections. (See page 18 for stiffeners)

74758Q-33
Q CTS x -33 PEP



Size	Carton PCS/WT	Price
3/4"	20/23	\$ 35.66
3/4" x 1"	15/24	\$ 56.31
1"	15/29	\$ 53.86
1" x 3/4"	25/33	\$ 42.56
1" x 2"	10/37	\$ 120.34
2"	4/17	\$ 183.41

74758Q-3Q
Q CTS x -3Q PEP



Size	Carton PCS/WT	Price
3/4"	25/29	\$ 41.08
3/4" x 1"	25/40	\$ 56.31
1"	15/29	\$ 53.86
1" x 3/4"	25/36	\$ 40.14

74758REPQ-3Q
Q CTS x -3Q PEP

Size	Carton PCS/WT	Price
1" x 3/4" x 4.75	25/29	\$ 59.40
1 1/4" x 1" x 4.75	25/40	\$ 99.81

74758Q-34
Q CTS x -34 PEP-9



Size	Carton PCS/WT	Price
3/4"	25/28	\$ 35.66
3/4" x 1"	25/26	\$ 56.31
1"	15/28	\$ 53.86
1" x 3/4"	25/36	\$ 37.19

74758Q-44
Q CTS x -44 PVC



Size	Carton PCS/WT	Price
3/4"	25/26	\$ 40.31
3/4" x 1/2"	25/22	\$ 29.83
3/4" x 1"	15/24	\$ 56.44
1"	15/29	\$ 58.26
1" x 1 1/4"	15/39	\$ 62.10
1" x 3/4"	25/33	\$ 42.56
1" x 2"	10/41	\$ 120.34
1 1/4"	10/24	\$ 149.40
2"	4/19	\$ 183.41

74758Q-55
Q CTS x -55 IP



Size	Carton PCS/WT	Price
3/4"	25/24	\$ 33.03
3/4" x 1"	15/24	\$ 45.55
1"	15/29	\$ 44.31
1" x 3/4"	25/31	\$ 37.13
1" x 2"	10/39	\$ 99.51
2"	4/17	\$ 160.49

74758Q-66
Q CTS x -66 Strong Lead



Size	Carton PCS/WT	Price
3/4"	25/25	\$ 55.00

74758Q-67
Q CTS x -67 X Strong Lead



Size	Carton PCS/WT	Price
3/4" x 1/2"	25/21	\$ 29.83
3/4" x 5/8"	25/26	\$ 35.66
3/4"	25/26	\$ 62.44
1"	15/24	\$ 99.65

74758Q-68
Q CTS x -68 XX Strong Lead



Size	Carton PCS/WT	Price
3/4"	15/24	\$ 56.31
3/4" x 5/8"	25/26	\$ 55.00
1"	15/22	\$ 91.37

74758T-22
T CTS x -22 CTS



Size	Carton PCS/WT	Price
3/4"	25/21	\$ 29.83
3/4" x 1/2"	25/20	\$ 30.54
1"	25/31	\$ 34.13
2"	10/38	\$ 154.19
2" x 1/2"	10/25	\$ 124.41

Straight Couplings

CROSS CONNECTIONS

A.Y. McDonald Service Fittings are manufactured to meet or exceed the AWWA C800 (latest revision) standard. Our service fittings are rated to withstand the same pressures as the tubing they are designed to fit. They are designed and tested for cold potable water only. EPDM rubber gaskets are used in our Compression fittings.

74758T-33

T CTS x -33 PEP-7



Size	Carton PCS/WT	Price
3/4"	25/27	\$ 35.66
3/4" x 1"	15/24	\$ 56.31
1"	15/25	\$ 53.86
1" x 3/4"	25/33	\$ 37.19
1" x 2"	10/36	\$ 117.67
1 1/2"	10/32	\$ 157.06
2"	4/17	\$ 183.41

74758T-3G

T CTS X -3G PEP

Size	Carton PCS/WT	Price
1"	15/30	\$ 53.86

74758T-34

T CTS X -34 PEP-9



Size	Carton PCS/WT	Price
3/4"	25/27	\$ 35.66
3/4" x 1"	15/24	\$ 56.31
1"	15/25	\$ 53.86
1" x 3/4"	25/33	\$ 37.19

74758T-44

T CTS x -44 PVC



Size	Carton PCS/WT	Price
3/4"	25/38	\$ 40.31
3/4" x 1/2"	25/23	\$ 29.83
3/4" x 1"	15/25	\$ 56.44
1"	15/28	\$ 58.26
1" x 3/4"	25/32	\$ 42.56
1" x 2"	10/40	\$ 117.67
1 1/4"	10/44	\$ 149.40
1 1/2"	5/16	\$ 157.13
2"	4/19	\$ 183.41

OPTIONS

See page 7 for pricing of the following:

- For Handyloc - Replace "Q" with "H" or "-3Q" with "3H" in 3/4" & 1".
- For C903 tube - Replace "Q" with "K". On "Q" Series options only 3/4" x 1" **only**.
- For valve or fitting less flare nut add "L" to end of model number.
- CTS Anode (QA) & Flare Anode (A) - Replace "Q" with "QA" or add "A" to flare.
- Insert stiffeners are **required** on all flexible plastic connections. (See page 18 for stiffeners)

74758T-55

T CTS x -55 IP



Size	Carton PCS/WT	Price
3/4"	25/24	\$ 33.03
3/4" x 1"	15/24	\$ 45.61
1"	15/29	\$ 44.31
1" x 3/4"	25/30	\$ 37.13
1" x 2"	10/39	\$ 99.51
1 1/2"	5/16	\$ 147.71
2"	4/17	\$ 160.49

74758T-67

T CTS x -67 X Strong Lead



Size	Carton PCS/WT	Price
3/4"	25/27	\$ 62.44
3/4" x 5/8"	25/27	\$ 35.66

74758T-68

T CTS x -68 XX Strong Lead



Size	Carton PCS/WT	Price
3/4" x 1/2"	25/33	\$ 50.28
3/4" x 5/8"	25/25	\$ 55.00

74758-33-44

-33 PEP-7 x -44 PVC



Size	Carton PCS/WT	Price
3/4"	25/31	\$ 45.61
3/4" x 1"	15/27	\$ 60.51
3/4" x 2"	10/49	\$ 126.69
1"	10/21	\$ 74.45
1" x 3/4"	15/29	\$ 60.51
1 1/4"	5/18	\$ 94.19
1 1/4" x 1 1/2"	5/18	\$ 152.60
2"	4/26	\$ 218.49

74758-33-55

-33 PEP-7 x -55 IP



Size	Carton PCS/WT	Price
3/4"	25/29	\$ 40.57
3/4" x 1"	15/27	\$ 60.51
3/4" x 2"	10/40	\$ 88.05
1"	10/21	\$ 67.62
1" x 3/4"	15/26	\$ 56.75

74758-33-66

-33 PEP-7 x -66 Strong Lead



Size	Carton PCS/WT	Price
3/4"	25/27	\$ 35.66
3/4" x 5/8"	25/31	\$ 35.66

74758-33-67

-33 PEP-7 x -67 X Strong Lead



Size	Carton PCS/WT	Price
3/4" x 1/2"	25/28	\$ 35.66
3/4" x 5/8"	25/33	\$ 37.26
1 1/2"	5/25	\$ 162.21

74758-33-68

-33 PEP-7 x -68 XX Strong Lead



Size	Carton PCS/WT	Price
3/4"	15/26	\$ 57.65
3/4" x 5/8"	25/31	\$ 47.44
3/4" x 1/2"	25/31	\$ 35.66
1" x 3/4"	10/19	\$ 74.45

74758-3G-55

-3G PEP x -55 IP

Size	Carton PCS/WT	Price
1"	10/22	\$ 74.45
1" x 3/4"	15/28	\$ 56.75

74758-3Q-44

-3Q PEP x -44 PVC



Size	Carton PCS/WT	Price
1"	10/22	\$ 74.45
1" x 3/4"	15/28	\$ 56.75

74758-44-55

-44 PVC x -55 IP



Size	Carton PCS/WT	Price
3/4"	25/28	\$ 39.52
3/4" x 2"	10/40	\$ 126.69
1"	15/29	\$ 68.78
1" x 3/4"	15/24	\$ 56.75
2"	4/20	\$ 204.72

Straight Couplings with Internal Pipe Stop

SAME CONNECTION ON BOTH SIDES

A.Y. McDonald Service Fittings are manufactured to meet or exceed the AWWA C800 (latest revision) standard. Our service fittings are rated to withstand the same pressures as the tubing they are designed to fit. They are designed and tested for cold potable water only. EPDM rubber gaskets are used in our Compression fittings.

74759-22

-22 CTS x -22 CTS



Size	Carton PCS/WT	Price
1/2"	50/33	\$ 36.67
3/4"	25/21	\$ 29.83
1"	25/29	\$ 34.13
1 1/2"	10/28	\$ 114.18
2"	10/43	\$ 154.19

74759T

T CTS x T CTS



Size	Carton PCS/WT	Price
3/4"	25/22	\$ 29.83
3/4" x 1"	25/30	\$ 33.23
1"	25/32	\$ 34.13
1 1/2"	10/22	\$ 114.18
2"	10/34	\$ 154.19

74759-3Q

-3Q PEP x -3Q PEP



Size	Carton PCS/WT	Price
3/4"	25/37	\$ 37.26

74759G

G CTS x G CTS



Size	Carton PCS/WT	Price
3/4"	25/23	\$ 29.83
3/4" x 1"	25/30	\$ 33.18
1"	25/35	\$ 34.13
1 1/2"	10/24	\$ 114.18
2"	10/32	\$ 154.19

74759-33

-33 PEP-7 x -33 PEP-7



Size	Carton PCS/WT	Price
3/4"	25/32	\$ 37.26

74759-44

-44 PVC x -44 PVC



Size	Carton PCS/WT	Price
3/4"	25/31	\$ 43.56

74759Q

Q CTS x Q CTS



Size	Carton PCS/WT	Price
3/4"	25/23	\$ 29.83
3/4" x 1"	25/30	\$ 33.23
1"	25/35	\$ 34.13
1 1/2"	10/24	\$ 114.18
2"	10/32	\$ 154.19

74759-3G

-3G PEP x -3G PEP



Size	Carton PCS/WT	Price
3/4"	25/37	\$ 37.26

74759-55

-55 IP x -55 IP



Size	Carton PCS/WT	Price
3/4"	25/26	\$ 32.85

OPTIONS

See page 7 for pricing of the following:

- For Handyloc - Replace "Q" with "H" or "-3Q" with "3H" in 3/4" & 1".
- For C903 tube - Replace "Q" with "K". On "Q" Series options only 3/4" x 1" **only**.
- For valve or fitting less flare nut add "L" to end of model number.
- CTS Anode (QA) & Flare Anode (A) - Replace "Q" with "QA" or add "A" to flare.
- Insert stiffeners are **required** on all flexible plastic connections. (See page 18 for stiffeners)

Di-Electric Straight Assemblies

PREVENTS ELECTRICITY FROM PASSING THROUGH THE LINE

A.Y. McDonald Service Fittings are manufactured to meet or exceed the AWWA C800 (latest revision) standard. Our service fittings are rated to withstand the same pressures as the tubing they are designed to fit. They are designed and tested for cold potable water only. EPDM rubber gaskets are used in our Compression fittings.

74758DB

Flare x Flare



Size	Carton PCS/WT	Price
3/4"	25/37	\$ 77.29
1"	25/58	\$ 113.37
1 1/2"	4/26	\$ 263.05
2"	4/46	\$ 490.19

74758DB-22-55

-22 CTS x -55 IP



Size	Carton PCS/WT	Price
3/4"	15/19	\$ 136.98
3/4" x 1"	25/45	\$ 74.60
1"	15/35	\$ 109.48
1" x 3/4"	25/34	\$ 95.06
1 1/2"	10/42	\$ 224.99
2"	4/25	\$ 338.06

74758DBQ

Q CTS x Q CTS



Size	Carton PCS/WT	Price
3/4"	25/31	\$ 70.20
1"	25/48	\$ 90.75

74758DB-22

-22 CTS x -22 CTS

Size	Carton PCS/WT	Price
3/4"	25/28	\$ 70.20
1"	25/41	\$ 90.75
1 1/2"	10/47	\$ 213.30
2"	4/25	\$ 335.01

74758DB-22-67

-22 CTS x -67 X Strong Lead

Size	Carton PCS/WT	Price
1" x 3/4"	15/23	\$ 128.60

74758DBT

T CTS x T CTS



Size	Carton PCS/WT	Price
3/4"	25/30	\$ 70.20
1"	25/45	\$ 90.75
1 1/2"	10/32	\$ 213.30
2"	4/24	\$ 363.89

74758DB-22-44

-22 CTS x -44 PVC



Size	Carton PCS/WT	Price
3/4"	15/19	\$ 136.98
3/4" x 1"	25/45	\$ 74.60
1"	15/35	\$ 109.48
1" x 3/4"	25/34	\$ 95.06
1 1/2"	10/42	\$ 224.99
2"	4/25	\$ 338.06

74758DBG

G CTS x G CTS



Size	Carton PCS/WT	Price
3/4"	25/31	\$ 70.20
1"	25/52	\$ 90.75

OPTIONS

See page 7 for pricing of the following:

- For Handyloc - Replace "Q" with "H" or "-3Q" with "3H" in 3/4" & 1".
- For C903 tube - Replace "Q" with "K". On "Q" Series options only 3/4" x 1" **only**.
- For valve or fitting less flare nut add "L" to end of model number.
- CTS Anode (QA) & Flare Anode (A) - Replace "Q" with "QA" or add "A" to flare.
- Insert stiffeners are **required** on all flexible plastic connections. (See page 18 for stiffeners)

Di-Electric Straight Assemblies

PREVENTS ELECTRICITY FROM PASSING THROUGH THE LINE

A.Y. McDonald Service Fittings are manufactured to meet or exceed the AWWA C800 (latest revision) standard. Our service fittings are rated to withstand the same pressures as the tubing they are designed to fit. They are designed and tested for cold potable water only. EPDM rubber gaskets are used in our Compression fittings.

74755DB

Flare x Female Flare



Size	Carton PCS/WT	Price
3/4"	25/27	\$ 58.45
3/4" x 1"	25/31	\$ 72.65
1"	25/45	\$ 86.84
1 1/2"	10/46	\$ 202.26
2"	4/32	\$ 355.11

74755DBQ

Q CTS x Female Flare



Size	Carton PCS/WT	Price
3/4"	25/24	\$ 63.26
1"	25/38	\$ 87.41
1 1/2"	10/33	\$ 210.77
2"	4/21	\$ 333.66

74779DBT Quarter Bend

T CTS x FNPT

Size	Carton PCS/WT	Price
2"	3/26	\$ 413.26

74755DB-22

-22 CTS x Female Flare



Size	Carton PCS/WT	Price
3/4"	25/24	\$ 63.26
1"	25/36	\$ 87.41
1 1/2"	10/35	\$ 210.77
2"	4/23	\$ 333.6

74755DBT

T CTS x Female Flare



Size	Carton PCS/WT	Price
3/4"	25/25	\$ 63.26
1"	25/38	\$ 87.41
1 1/2"	10/33	\$ 210.77
2"	4/21	\$ 333.66

OPTIONS

See page 7 for pricing of the following:

- For Handyloc - Replace "Q" with "H" or "-3Q" with "3H" in 3/4" & 1".
- For C903 tube - Replace "Q" with "K". On "Q" Series options only 3/4" x 1" **only**.
- For valve or fitting less flare nut add "L" to end of model number.
- CTS Anode (QA) & Flare Anode (A) - Replace "Q" with "QA" or add "A" to flare.
- Insert stiffeners are **required** on all flexible plastic connections. (See page 18 for stiffeners)

Elbows - 1/8 Bend

ONE END MALE NATIONAL PIPE THREAD

A.Y. McDonald Service Fittings are manufactured to meet or exceed the AWWA C800 (latest revision) standard. Our service fittings are rated to withstand the same pressures as the tubing they are designed to fit. They are designed and tested for cold potable water only. EPDM rubber gaskets are used in our Compression fittings.

74750P-22 -22 CTS x MNPT



Size	Carton PCS/WT	Price
3/4"	25/17	\$ 29.86
1"	25/25	\$ 40.60
1 1/4" x 1"	25/35	\$ 61.50
1 1/2" x 1"	25/44	\$ 95.36

74750PT T CTS x MNPT



Size	Carton PCS/WT	Price
3/4"	25/18	\$ 29.86
1"	25/25	\$ 40.60
1 1/4" x 1"	25/35	\$ 61.50
1 1/2" x 1"	25/34	\$ 95.36

74750P-3Q -3Q PEP x MNPT



Size	Carton PCS/WT	Price
3/4" x 1"	25/37	\$ 44.69
1"	25/37	\$ 68.29

74750PG G CTS x MNPT



Size	Carton PCS/WT	Price
3/4"	25/18	\$ 29.86
1"	25/25	\$ 40.60
1 1/4" x 1"	25/40	\$ 61.50
1 1/2" x 1"	25/44	\$ 95.36

74750P-33 -33 PEP-7 x MNPT



Size	Carton PCS/WT	Price
3/4" x 1"	25/37	\$ 44.69
1"	25/36	\$ 68.29

74750P-44 -44 PVC x MNPT



Size	Carton PCS/WT	Price
3/4" x 1"	25/36	\$ 44.69
1"	25/36	\$ 68.29

74750PQ Q CTS x MNPT



Size	Carton PCS/WT	Price
3/4"	25/18	\$ 29.86
1"	25/25	\$ 40.60
1 1/4" x 1"	25/37	\$ 61.50
1 1/2" x 1"	25/37	\$ 95.36

74750P-3G -3G PEP x MNPT



Size	Carton PCS/WT	Price
3/4" x 1"	25/40	\$ 44.69
1"	25/40	\$ 68.29

74750P-55 -55 IP x MNPT

Size	Carton PCS/WT	Price
3/4" x 1"	25/40	\$ 44.69
1"	25/40	\$ 68.29

OPTIONS

See page 7 for pricing of the following:

- For Handyloc - Replace "Q" with "H" or "-3Q" with "3H" in 3/4" & 1".
- For C903 tube - Replace "Q" with "K". On "Q" Series options only 3/4" x 1" **only**.
- For valve or fitting less flare nut add "L" to end of model number.
- CTS Anode (QA) & Flare Anode (A) - Replace "Q" with "QA" or add "A" to flare.
- Insert stiffeners are **required** on all flexible plastic connections. (See page 18 for stiffeners)

Elbows - 1/8 Bend

ONE END FEMALE NATIONAL PIPE THREAD

A.Y. McDonald Service Fittings are manufactured to meet or exceed the AWWA C800 (latest revision) standard. Our service fittings are rated to withstand the same pressures as the tubing they are designed to fit. They are designed and tested for cold potable water only. EPDM rubber gaskets are used in our Compression fittings.

74747

Flare x FNPT



Size	Carton PCS/WT	Price
3/4"	25/20	\$ 29.94
3/4" x 1"	25/24	\$ 26.02
1"	25/29	\$ 49.98
1" x 1 1/4"	20/31	\$ 48.46
1 1/4" x 1 1/2"	10/23	\$ 110.29
1 1/2" x 2"	6/20	\$ 140.89
2" x 2 1/2"	4/25	\$ 262.69

74747Q

Q CTS x FNPT



Size	Carton PCS/WT	Price
3/4"	25/18	\$ 38.72
3/4" x 1"	25/22	\$ 37.47
1"	25/28	\$ 76.26
1" x 3/4"	25/34	\$ 57.77
1" x 1 1/4"	20/25	\$ 52.77

74747-3Q

-3Q PEP x FNPT



Size	Carton PCS/WT	Price
3/4"	25/34	\$ 52.32
3/4" x 1 1/4"	20/25	\$ 52.32

should be 33.65 rwd
05/25/18

74747-22

-22 CTS x FNPT



Size	Carton PCS/WT	Price
3/4"	25/17	\$ 38.72
3/4" x 1"	25/22	\$ 37.47
1"	25/24	\$ 76.26
1" x 3/4"	25/31	\$ 57.77
1 1/4" x 1 1/2"	10/22	\$ 112.36
1 1/2" x 2"	6/15	\$ 143.54
2" x 2 1/2"	4/14	\$ 229.25

74747T

T CTS x FNPT



Size	Carton PCS/WT	Price
3/4"	25/18	\$ 38.72
3/4" x 1"	25/23	\$ 37.47
1"	25/26	\$ 76.26
1" x 3/4"	25/31	\$ 57.77
1 1/4" x 1 1/2"	10/22	\$ 112.36
1 1/2" x 2"	6/15	\$ 143.54
2" x 2 1/2"	4/14	\$ 229.25

74747-44

-44 PVC x FNPT



Size	Carton PCS/WT	Price
1 1/2" x 2"	6/19	\$ 197.52
2" x 2 1/2"	4/21	\$ 368.27

74747G

G CTS x FNPT



Size	Carton PCS/WT	Price
3/4"	25/21	\$ 38.72
3/4" x 1"	25/24	\$ 37.47
1"	25/28	\$ 76.26
1" x 3/4"	25/34	\$ 57.77
1" x 1 1/4"	20/25	\$ 52.77

74747-33

-33 PEP-7 x FNPT



Size	Carton PCS/WT	Price
3/4"	25/32	\$ 52.32
2" x 2 1/2"	4/20	\$ 368.27

OPTIONS

See page 7 for pricing of the following:

- For Handyloc - Replace "Q" with "H" or "-3Q" with "3H" in 3/4" & 1".
- For C903 tube - Replace "Q" with "K". On "Q" Series options only 3/4" x 1" **only**.
- For valve or fitting less flare nut add "L" to end of model number.
- CTS Anode (QA) & Flare Anode (A) - Replace "Q" with "QA" or add "A" to flare.
- Insert stiffeners are **required** on all flexible plastic connections. (See page 18 for stiffeners)

Elbows - 1/8 Bend

ONE END FEMALE COPPER FLARE

A.Y. McDonald Service Fittings are manufactured to meet or exceed the AWWA C800 (latest revision) standard. Our service fittings are rated to withstand the same pressures as the tubing they are designed to fit. They are designed and tested for cold potable water only. EPDM rubber gaskets are used in our Compression fittings.

74750



Fixed Female Flare x Flare

Size	Carton PCS/WT	Price
3/4"	25/24	\$ 30.36
1"	25/39	\$ 44.76

74750G



Fixed Female Flare x G CTS

Size	Carton PCS/WT	Price
3/4"	25/23	\$ 32.20
1"	25/28	\$ 52.12

74750T



Fixed Female Flare x T CTS

Size	Carton PCS/WT	Price
3/4"	25/22	\$ 32.20
1"	25/33	\$ 52.08

74750S



Swivel Female Flare x Flare

Size	Carton PCS/WT	Price
3/4"	25/31	\$ 39.00
1"	20/40	\$ 53.15
1 1/4"	10/28	\$ 132.87
1 1/2"	6/32	\$ 240.84
2"	3/26	\$ 340.91

74750SG



Swivel Female Flare x G CTS

Size	Carton PCS/WT	Price
3/4"	25/30	\$ 44.00
1"	20/37	\$ 62.58
1 1/4"	10/26	\$ 156.45
1 1/2"	6/26	\$ 219.29
2"	3/18	\$ 310.40

74750ST



Swivel Female Flare x T CTS

Size	Carton PCS/WT	Price
3/4"	25/28	\$ 44.00
1"	20/35	\$ 62.58
1 1/4"	10/24	\$ 156.45
1 1/2"	6/24	\$ 219.29
2"	3/18	\$ 310.40

74750-22



Fixed Female Flare x -22 CTS

Size	Carton PCS/WT	Price
3/4"	25/20	\$ 32.20
1"	25/31	\$ 52.08

74750Q



Fixed Female Flare x Q CTS

Size	Carton PCS/WT	Price
3/4"	25/24	\$ 32.20
1"	25/32	\$ 52.12

74750S-33



Swivel Female Flare x -33 PEP-7

Size	Carton PCS/WT	Price
1"	10/22	\$ 95.38

74750-3Q



Fixed Female Flare x -3Q PEP

Size	Carton PCS/WT	Price
1 x 3/4"	25/32	\$ 57.51

74750S-22



Swivel Female Flare x -22 CTS

Size	Carton PCS/WT	Price
3/4"	25/26	\$ 44.00
1"	20/33	\$ 62.58
1 1/4"	10/24	\$ 156.45
1 1/2"	6/26	\$ 219.29
2"	3/20	\$ 310.40

74750SQ



Swivel Female Flare x Q CTS

Size	Carton PCS/WT	Price
3/4"	25/27	\$ 44.00
1"	20/36	\$ 62.58
1 1/4"	10/26	\$ 156.45
1 1/2"	6/25	\$ 219.29
2"	3/18	\$ 310.40

74750S-3Q



Swivel Female Flare x -3Q PEP

Size	Carton PCS/WT	Price
1"	10/22	\$ 95.38

74750S-34



Swivel Female Flare x -34 PEP-9

Size	Carton PCS/WT	Price
1"	10/22	\$ 95.38

74750S-44



Swivel Female Flare x -44 PVC

Size	Carton PCS/WT	Price
1 1/2"	6/28	\$ 190.83
2"	3/23	\$ 283.35

OPTIONS

See page 7 for pricing of the following:

- For Handyloc - Replace "Q" with "H" or "-3Q" with "3H" in 3/4" & 1".
- For C903 tube - Replace "Q" with "K". On "Q" Series options only 3/4" x 1" **only**.
- For valve or fitting less flare nut add "L" to end of model number.
- CTS Anode (QA) & Flare Anode (A) - Replace "Q" with "QA" or add "A" to flare.
- Insert stiffeners are **required** on all flexible plastic connections. (See page 18 for stiffeners)

Elbows - 1/4 Bend

ONE END MALE NATIONAL PIPE THREAD

A.Y. McDonald Service Fittings are manufactured to meet or exceed the AWWA C800 (latest revision) standard. Our service fittings are rated to withstand the same pressures as the tubing they are designed to fit. They are designed and tested for cold potable water only. EPDM rubber gaskets are used in our Compression fittings.

74779MF

FNPT x MNPT



Size	Carton PCS/WT	Price
1"	25/23	\$ 50.21
1 1/2"	5/13	\$ 188.82
2"	6/27	\$ 270.01

74779MQ

Q CTS x MNPT



Size	Carton PCS/WT	Price
3/4"	25/21	\$ 26.82
1"	25/32	\$ 44.64
1" x 3/4"	25/29	\$ 36.38
1 1/4" x 1"	20/39	\$ 74.88
1 1/2"	8/17	\$ 129.64
2"	8/23	\$ 185.80

74779M-3G

-3G PEP x MNPT



Size	Carton PCS/WT	Price
3/4"	25/31	\$ 41.86
1"	20/40	\$ 68.35

74779M

Flare x MNPT



Size	Carton PCS/WT	Price
3/4"	25/23	\$ 23.34
1"	25/33	\$ 38.72
1" x 3/4"	25/30	\$ 32.69
1 1/2"	5/20	\$ 138.71
2"	6/39	\$ 236.44

74779MT

T CTS x MNPT



Size	Carton PCS/WT	Price
3/4"	25/21	\$ 26.82
1"	25/29	\$ 44.64
1" x 3/4"	25/27	\$ 36.38
1 1/4" x 1"	20/37	\$ 74.88
1 1/2"	8/17	\$ 129.64
2"	8/22	\$ 185.80

74779M-3Q

-3Q PEP x MNPT



Size	Carton PCS/WT	Price
3/4"	25/28	\$ 41.86
1"	20/37	\$ 68.35

74779M-22

-22 CTS x MNPT



Size	Carton PCS/WT	Price
3/4"	25/20	\$ 26.82
1"	25/29	\$ 44.64
1" x 3/4"	25/24	\$ 36.38
1 1/4" x 1"	20/37	\$ 74.88
1 1/2"	5/12	\$ 129.64
2"	6/21	\$ 185.80

74779M-34

-34 PEP-9 x MNPT



Size	Carton PCS/WT	Price
3/4"	25/26	\$ 41.86
1"	25/36	\$ 68.35

74779M-33

-33 PEP-7 x MNPT



Size	Carton PCS/WT	Price
3/4"	25/26	\$ 41.86
1"	20/36	\$ 68.35
2"	6/32	\$ 177.92

74779M-44

-44 PVC x MNPT



Size	Carton PCS/WT	Price
3/4"	25/27	\$ 35.82
1"	20/36	\$ 58.55
1 1/2"	5/17	\$ 146.18
2"	6/32	\$ 193.77

74779MG

G CTS x MNPT



Size	Carton PCS/WT	Price
3/4"	25/23	\$ 26.82
1"	25/32	\$ 44.64
1" x 3/4"	25/30	\$ 36.38
1 1/4" x 1"	20/39	\$ 74.88
1 1/2"	8/19	\$ 129.64
2"	8/26	\$ 185.80

74779M-55

-55 IP x MNPT



Size	Carton PCS/WT	Price
3/4"	25/24	\$ 30.95
1"	20/38	\$ 54.61
1 1/2"	5/18	\$ 137.18
2"	6/29	\$ 207.95

OPTIONS

See page 7 for pricing of the following:

- For Handyloc - Replace "Q" with "H" or "-3Q" with "3H" in 3/4" & 1".
- For C903 tube - Replace "Q" with "K". On "Q" Series options only 3/4" x 1" **only**.
- For valve or fitting less flare nut add "L" to end of model number.
- CTS Anode (QA) & Flare Anode (A) - Replace "Q" with "QA" or add "A" to flare.
- Insert stiffeners are **required** on all flexible plastic connections. (See page 18 for stiffeners)

Elbows - 1/4 Bend

ONE END FEMALE NATIONAL PIPE THREAD

A.Y. McDonald Service Fittings are manufactured to meet or exceed the AWWA C800 (latest revision) standard. Our service fittings are rated to withstand the same pressures as the tubing they are designed to fit. They are designed and tested for cold potable water only. EPDM rubber gaskets are used in our Compression fittings.

74761F

FNPT x FNPT

Size	Carton PCS/WT	Price
1"	25/31	\$ 50.40

74779

Flare x FNPT



Size	Carton PCS/WT	Price
3/4"	25/23	\$ 26.15
3/4" x 1"	20/19	\$ 33.33
1"	25/42	\$ 43.11
1" x 1 1/4"	20/30	\$ 55.18
1 1/2"	6/28	\$ 139.21
2"	3/24	\$ 232.04

74779-22

-22 CTS x FNPT



Size	Carton PCS/WT	Price
3/4"	20/17	\$ 34.77
3/4" x 1"	20/16	\$ 35.89
3/4" x 1 1/4"	20/40	\$ 65.17
1"	25/36	\$ 56.67
1" x 3/4"	25/24	\$ 62.39
1" x 1 1/4"	20/25	\$ 65.17
1 1/4" x 1"	20/38	\$ 63.48
1 1/2"	6/17	\$ 143.49
2"	4/17	\$ 205.14

74779G

G CTS x FNPT



Size	Carton PCS/WT	Price
3/4"	20/19	\$ 34.77
3/4" x 1"	20/19	\$ 38.38
3/4" x 1 1/4"	20/41	\$ 65.17
1"	25/41	\$ 56.67
1" x 3/4"	25/28	\$ 62.39
1" x 1 1/4"	20/29	\$ 65.17
1 1/4" x 1"	20/49	\$ 63.48
1 1/2"	6/16	\$ 143.49
2"	4/17	\$ 205.14

74779Q

Q CTS x FNPT



Size	Carton PCS/WT	Price
3/4"	20/17	\$ 34.77
3/4" x 1"	20/17	\$ 38.38
3/4" x 1 1/4"	20/35	\$ 65.17
1"	25/39	\$ 56.67
1" x 3/4"	25/27	\$ 62.39
1" x 1 1/4"	20/28	\$ 65.17
1 1/4" x 1"	20/39	\$ 63.48
1 1/2"	6/14	\$ 143.49
2"	4/15	\$ 205.14

74779T

T CTS x FNPT



Size	Carton PCS/WT	Price
3/4"	20/17	\$ 34.77
3/4" x 1"	20/17	\$ 35.89
3/4" x 1 1/4"	20/40	\$ 65.17
1"	25/38	\$ 56.67
1" x 3/4"	25/27	\$ 62.39
1" x 1 1/4"	20/28	\$ 65.17
1 1/4" x 1"	20/37	\$ 63.48
1 1/2"	6/14	\$ 143.49
2"	4/15	\$ 205.14

74779-33

-33 PEP-7 x FNPT



Size	Carton PCS/WT	Price
3/4"	25/26	\$ 62.39
1"	20/40	\$ 63.48

74779-3G

-3G PEP x FNPT



Size	Carton PCS/WT	Price
3/4"	25/30	\$ 62.39
1"	20/38	\$ 63.48

74779-3Q

-3Q PEP x FNPT



Size	Carton PCS/WT	Price
3/4"	25/28	\$ 62.39
1"	20/36	\$ 63.48

74779-44

-44 PVC x FNPT



Size	Carton PCS/WT	Price
3/4"	25/17	\$ 51.03
1"	20/35	\$ 51.93
1 1/2"	6/23	\$ 145.49
2"	3/19	\$ 211.84

74779-55

-55 IP x FNPT



Size	Carton PCS/WT	Price
3/4"	25/24	\$ 51.03
1"	20/38	\$ 44.69
1 1/2"	5/23	\$ 145.49
2"	3/18	\$ 211.84

OPTIONS

See page 7 for pricing of the following:

- For Handyloc - Replace "Q" with "H" or "-3Q" with "3H" in 3/4" & 1".
- For C903 tube - Replace "Q" with "K". On "Q" Series options only 3/4" x 1" **only**.
- For valve or fitting less flare nut add "L" to end of model number.
- CTS Anode (QA) & Flare Anode (A) - Replace "Q" with "QA" or add "A" to flare.
- Insert stiffeners are **required** on all flexible plastic connections. (See page 18 for stiffeners)

Elbows - 1/4 Bend

COPPER FLARE & COMPRESSION

A.Y. McDonald Service Fittings are manufactured to meet or exceed the AWWA C800 (latest revision) standard. Our service fittings are rated to withstand the same pressures as the tubing they are designed to fit. They are designed and tested for cold potable water only. EPDM rubber gaskets are used in our Compression fittings.

74761

Flare x Flare



Size	Carton PCS/WT	Price
3/4"	25/27	\$ 29.34
1"	10/19	\$ 48.84
1 1/2"	6/37	\$ 205.75
2"	3/32	\$ 283.57

74761-22-44

-22 CTS x -44 PVC

Size	Carton PCS/WT	Price
3/4"	25/32	\$ 42.30
1"	20/40	\$ 65.13
1" x 3/4"	10/8	\$ 67.30

74761G-3G

G CTS x -3G PEP

Size	Carton PCS/WT	Price
3/4"	25/40	\$ 42.95

74761-22

-22 CTS x -22 CTS

Size	Carton PCS/WT	Price
3/4"	25/24	\$ 38.53
3/4" x 1"	25/30	\$ 43.44
1"	10/15	\$ 49.57
1 1/4"	15/36	\$ 89.47
1 1/2"	8/27	\$ 159.05
2"	5/25	\$ 321.79

74761-22-55

-22 CTS x -55 IP



Size	Carton PCS/WT	Price
3/4"	25/29	\$ 42.39
1"	20/40	\$ 65.13
1" x 3/4"	10/8	\$ 67.30

74761G-55

G CTS x -55 IP



Size	Carton PCS/WT	Price
3/4"	25/30	\$ 42.39

74761-22-33

-22 CTS x -33 PEP-7

Size	Carton PCS/WT	Price
3/4"	25/31	\$ 42.95
1"	20/40	\$ 65.13
1" x 3/4"	10/8	\$ 67.30

74761G

G CTS x G CTS



Size	Carton PCS/WT	Price
3/4"	25/29	\$ 38.53
3/4" x 1"	25/38	\$ 43.44
1"	15/27	\$ 49.57
1" x 1 1/4"	20/40	\$ 65.81
1 1/4"	15/38	\$ 89.47
1 1/2"	8/27	\$ 159.05
2"	5/23	\$ 321.79

74761Q

Q CTS x Q CTS



Size	Carton PCS/WT	Price
3/4"	25/26	\$ 38.53
3/4" x 1"	25/32	\$ 43.44
1"	10/18	\$ 49.57
1" x 1 1/4"	20/40	\$ 65.81
1 1/4"	15/38	\$ 89.47
1 1/2"	8/23	\$ 159.05
2"	5/20	\$ 321.79

OPTIONS

See page 7 for pricing of the following:

- For Handyloc - Replace "Q" with "H" or "-3Q" with "3H" in 3/4" & 1".
- For C903 tube - Replace "Q" with "K". On "Q" Series options only 3/4" x 1" **only**.
- For valve or fitting less flare nut add "L" to end of model number.
- CTS Anode (QA) & Flare Anode (A) - Replace "Q" with "QA" or add "A" to flare.
- Insert stiffeners are **required** on all flexible plastic connections. (See page 18 for stiffeners)

Elbows - 1/4 Bend

COPPER FLARE & COMPRESSION

A.Y. McDonald Service Fittings are manufactured to meet or exceed the AWWA C800 (latest revision) standard. Our service fittings are rated to withstand the same pressures as the tubing they are designed to fit. They are designed and tested for cold potable water only. EPDM rubber gaskets are used in our Compression fittings.

74761Q-3Q

Q CTS x -3Q PEP



Size	Carton PCS/WT	Price
3/4"	25/32	\$ 42.95
1"	20/47	\$ 65.81
1" x 3/4"	10/8	\$ 67.30

74761T-44

T CTS x -44 PVC



Size	Carton PCS/WT	Price
3/4"	25/32	\$ 42.30

74761-3Q

-3Q PEP x -3Q PEP

Size	Carton PCS/WT	Price
3/4"	10/18	\$ 54.31
3/4" x 1"	20/40	\$ 65.81
1"	15/37	\$ 84.27

74761T

T CTS x T CTS



Size	Carton PCS/WT	Price
3/4"	25/25	\$ 38.53
3/4" x 1"	25/32	\$ 43.44
1"	10/16	\$ 49.57
1 1/4"	15/34	\$ 89.47
1 1/2"	8/21	\$ 159.05
2"	5/19	\$ 321.79

74761T-55

T CTS x -55 IP



Size	Carton PCS/WT	Price
3/4"	25/29	\$ 42.39

74761-34

-34 PEP-9 x -34 PEP-9

Size	Carton PCS/WT	Price
3/4"	10/15	\$ 54.31
1"	15/35	\$ 84.27

74761T-33

T CTS x -33 PEP-7



Size	Carton PCS/WT	Price
3/4"	25/32	\$ 42.95

74761-33

-33 PEP-7 x -33 PEP-7

Size	Carton PCS/WT	Price
3/4"	10/15	\$ 54.31
1"	15/36	\$ 84.27
1 1/2"	3/25	\$ 202.13
2"	3/22	\$ 360.09

74761-44

-44 PVC x -44 PVC

Size	Carton PCS/WT	Price
3/4"	10/15	\$ 51.54
1"	15/36	\$ 91.04
1 1/4"	6/34	\$ 174.51
1 1/2"	8/34	\$ 198.00
2"	3/22	\$ 348.73

74761Q-33

Q CTS x -33 PEP

Size	Carton PCS/WT	Price
3/4"	25/32	\$ 42.95
1"	20/40	\$ 65.90
1" x 3/4"	10/16	\$ 67.30

74761-3G

-33 PEP-7 x -3G PEP

Size	Carton PCS/WT	Price
3/4"	10/19	\$ 54.31
3/4" x 1"	20/40	\$ 65.81
1"	15/36	\$ 84.27

74761-44-55

-44 PVC x -55 IP



Size	Carton PCS/WT	Price
3/4"	10/15	\$ 51.54
1"	15/36	\$ 91.04
2"	3/22	\$ 305.51

74761-55

-55 IP x -55 IP



Size	Carton PCS/WT	Price
3/4"	10/14	\$ 45.56
1"	15/37	\$ 82.07
1 1/2"	8/35	\$ 113.15
2"	3/21	\$ 262.31

OPTIONS

See page 7 for pricing of the following:

- For Handyloc - Replace "Q" with "H" or "-3Q" with "3H" in 3/4" & 1".
- For C903 tube - Replace "Q" with "K". On "Q" Series options only 3/4" x 1" **only**.
- For valve or fitting less flare nut add "L" to end of model number.
- CTS Anode (QA) & Flare Anode (A) - Replace "Q" with "QA" or add "A" to flare.
- Insert stiffeners are **required** on all flexible plastic connections. (See page 18 for stiffeners)

Elbows - 1/4 Bend

ONE END FEMALE COPPER FLARE

A.Y. McDonald Service Fittings are manufactured to meet or exceed the AWWA C800 (latest revision) standard. Our service fittings are rated to withstand the same pressures as the tubing they are designed to fit. They are designed and tested for cold potable water only. EPDM rubber gaskets are used in our Compression fittings.

74776

Fixed Female Flare x Flare



Size	Carton PCS/WT	Price
3/4"	35/32	\$ 32.43
1"	20/31	\$ 51.57
1 1/4"	10/34	\$ 123.26

74776S-22

Swivel Female Flare x -22 CTS



Size	Carton PCS/WT	Price
3/4"	25/29	\$ 49.15
1"	20/37	\$ 67.02
1 1/4"	10/21	\$ 167.57
1 1/4" x 1"	20/53	\$ 98.67
1 1/2"	6/30	\$ 174.14
2"	3/21	\$ 293.93

74776Q

Fixed Female Flare x Q CTS



Size	Carton PCS/WT	Price
3/4"	35/31	\$ 35.89
1"	20/30	\$ 54.46

74776S

Swivel Female Flare x Flare



Size	Carton PCS/WT	Price
3/4"	25/33	\$ 43.24
1"	20/40	\$ 61.04
1 1/4"	10/21	\$ 152.60
1 1/2"	6/34	\$ 178.73
2"	3/29	\$ 313.15

74776G

Fixed Female Flare x G CTS



Size	Carton PCS/WT	Price
3/4"	35/31	\$ 35.89
1"	20/29	\$ 54.46

74776SQ

Swivel Female Flare x Q CTS



Size	Carton PCS/WT	Price
3/4"	25/30	\$ 49.15
1"	20/38	\$ 67.02
1 1/4"	10/28	\$ 167.57
1 1/4" x 1"	20/54	\$ 98.67
1 1/2"	6/29	\$ 174.14
2"	3/20	\$ 293.93

74776-22

Fixed Female Flare x -22 CTS



Size	Carton PCS/WT	Price
3/4"	35/28	\$ 35.89
1"	20/25	\$ 54.46
1 1/4"	20/58	\$ 113.92

74776SG

Swivel Female Flare x G CTS



Size	Carton PCS/WT	Price
3/4"	25/33	\$ 49.15
1"	6/28	\$ 67.02
1 1/4"	10/28	\$ 167.57
1 1/4" x 1"	20/54	\$ 98.67
1 1/2"	6/28	\$ 174.14
2"	3/21	\$ 293.93

OPTIONS

See page 7 for pricing of the following:

- For Handyloc - Replace "Q" with "H" or "-3Q" with "3H" in 3/4" & 1".
- For C903 tube - Replace "Q" with "K". On "Q" Series options only 3/4" x 1" **only**.
- For valve or fitting less flare nut add "L" to end of model number.
- CTS Anode (QA) & Flare Anode (A) - Replace "Q" with "QA" or add "A" to flare.
- Insert stiffeners are **required** on all flexible plastic connections. (See page 18 for stiffeners)

Service Fittings

Elbows - 1/4 Bend

ONE END FEMALE COPPER FLARE

A.Y. McDonald Service Fittings are manufactured to meet or exceed the AWWA C800 (latest revision) standard. Our service fittings are rated to withstand the same pressures as the tubing they are designed to fit. They are designed and tested for cold potable water only. EPDM rubber gaskets are used in our Compression fittings.

74776T

Fixed Female Flare x T CTS



Size	Carton PCS/WT	Price
3/4"	35/30	\$ 35.89
1"	20/28	\$ 54.46
1 1/4"	20/55	\$ 113.92

74776S-3G

Swivel Female Flare x -3G PEP



Size	Carton PCS/WT	Price
1"	20/46	\$ 83.81

74776S-44

Swivel Female Flare x -44 PVC



Size	Carton PCS/WT	Price
1"	20/46	\$ 90.08
1 1/2"	6/39	\$ 207.37
2"	3/26	\$ 316.53

74776ST

Swivel Female Flare x T CTS



Size	Carton PCS/WT	Price
3/4"	25/31	\$ 49.15
1"	20/39	\$ 67.02
1 1/4"	10/21	\$ 167.57
1 1/4" x 1"	20/45	\$ 98.67
1 1/2"	6/28	\$ 174.14
2"	3/18	\$ 293.93

74776S-3Q

Swivel Female Flare x -3Q PEP



Size	Carton PCS/WT	Price
1"	20/47	\$ 83.81

74776S-55

Swivel Female Flare x -55 IP



Size	Carton PCS/WT	Price
1"	20/53	\$ 80.31
1 1/2"	6/39	\$ 207.37
2"	3/26	\$ 316.53

74776S-33

Swivel Female Flare x -33 PEP-7



Size	Carton PCS/WT	Price
1"	20/48	\$ 83.81
2"	3/25	\$ 316.53

74776S-34

Swivel Female Flare x -34 PEP-9



Size	Carton PCS/WT	Price
1"	20/48	\$ 83.81

OPTIONS

See page 7 for pricing of the following:

- For Handyloc - Replace "Q" with "H" or "-3Q" with "3H" in 3/4" & 1".
- For C903 tube - Replace "Q" with "K". On "Q" Series options only 3/4" x 1" **only**.
- For valve or fitting less flare nut add "L" to end of model number.
- CTS Anode (QA) & Flare Anode (A) - Replace "Q" with "QA" or add "A" to flare.
- Insert stiffeners are **required** on all flexible plastic connections. (See page 18 for stiffeners)

Tees

SAME END CONNECTIONS ON ALL THREE SIDES

A.Y. McDonald Service Fittings are manufactured to meet or exceed the AWWA C800 (latest revision) standard. Our service fittings are rated to withstand the same pressures as the tubing they are designed to fit. They are designed and tested for cold potable water only. EPDM rubber gaskets are used in our Compression fittings.

74760P

MNPT x MNPT x MNPT



Size	Carton PCS/WT	Price
3/4"	25/13	\$ 30.04
3/4" x 1" x 9"	10/9	\$ 75.54
1"	15/10	\$ 46.98
1" x 2"	6/10	\$ 99.63
1 1/2"	4/7	\$ 136.32
2"	4/10	\$ 204.91

74760

Flare x Flare x Flare

Size	Carton PCS/WT	Price
3/4"	25/43	\$ 51.67
3/4" x 1"	20/44	\$ 61.79
1"	15/45	\$ 86.69
1" x 3/4"	15/41	\$ 69.51
1" x 1 1/4"	10/37	\$ 112.30
1 1/2"	4/31	\$ 226.45
2"	4/56	\$ 424.90

74760G

G CTS x G CTS x G CTS



Size	Carton PCS/WT	Price
3/4"	25/45	\$ 72.23
3/4" x 1"	20/41	\$ 76.93
1"	15/37	\$ 77.23
1" x 3/4"	15/34	\$ 79.32
1" x 1 1/4"	10/30	\$ 132.79
1" x 1 1/2"	10/30	\$ 148.71
1" x 2"	6/22	\$ 191.64
1 1/4"	10/40	\$ 149.21
1 1/2"	4/18	\$ 172.27
2"	4/24	\$ 420.46

74760F

FNPT x FNPT x FNPT



Size	Carton PCS/WT	Price
3/4"	25/19	\$ 30.04
1"	15/19	\$ 42.80
1 1/4"	10/24	\$ 93.63
1 1/2"	4/19	\$ 122.68
1 1/2" x 3/4"	4/10	\$ 92.72
1 1/2" x 1"	4/9	\$ 97.39
2"	4/11	\$ 186.31
2" x 3/4"	4/9	\$ 135.16
2" x 1"	4/9	\$ 139.83

74760-22

-22 CTS x -22 CTS x -22 CTS



Size	Carton PCS/WT	Price
3/4"	25/34	\$ 72.23
3/4" x 1"	20/33	\$ 76.93
1"	15/30	\$ 77.23
1" x 3/4"	15/28	\$ 79.32
1" x 1 1/4"	10/27	\$ 132.79
1" x 1 1/2"	10/30	\$ 148.71
1 1/4"	10/35	\$ 149.21
1 1/2"	4/18	\$ 172.27
1" x 2"	6/24	\$ 191.64
2"	4/27	\$ 420.46

74760-A

Flare x Flare x Flare

Assembled Water Tight

Size	Carton PCS/WT	Price
2" x 1"	3/38	\$ 497.20

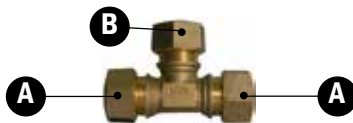
74760-A-22

-22 CTS x -22 CTS x -22 CTS

Assembled Water Tight



Size	Carton PCS/WT	Price
2" x 1"	3/17	\$ 225.16



KEY TO SIZES	
A	B
3/4" x	1"

OPTIONS

See page 7 for pricing of the following:

- For Handyloc - Replace "Q" with "H" or "-3Q" with "3H" in 3/4" & 1".
- For C903 tube - Replace "Q" with "K". On "Q" Series options only 3/4" x 1" only.
- For valve or fitting less flare nut add "L" to end of model number.
- CTS Anode (QA) & Flare Anode (A) - Replace "Q" with "QA" or add "A" to flare.
- Insert stiffeners are **required** on all flexible plastic connections. (See page 18 for stiffeners)

Tees

SAME END CONNECTIONS ON ALL THREE SIDES

A.Y. McDonald Service Fittings are manufactured to meet or exceed the AWWA C800 (latest revision) standard. Our service fittings are rated to withstand the same pressures as the tubing they are designed to fit. They are designed and tested for cold potable water only. EPDM rubber gaskets are used in our Compression fittings.

74760Q

Q CTS x Q CTS x Q CTS



Size	Carton PCS/WT	Price
3/4"	25/26	\$ 72.23
3/4" x 1"	20/38	\$ 76.93
1"	15/34	\$ 77.23
1" x 3/4"	15/31	\$ 79.32
1" x 1 1/4"	10/13	\$ 132.79
1" x 1 1/2"	10/29	\$ 148.71
1" x 2"	6/22	\$ 191.64
1 1/4"	10/36	\$ 149.21
1 1/2"	4/14	\$ 172.27
1 1/2" x 3/4"	6/21	\$ 163.22
2"	4/20	\$ 420.46

74760T

T CTS x T CTS x T CTS



Size	Carton PCS/WT	Price
3/4"	25/36	\$ 72.23
3/4" x 1"	20/37	\$ 76.93
1"	15/32	\$ 77.23
1" x 3/4"	15/30	\$ 79.32
1" x 1 1/4"	10/30	\$ 132.79
1" x 1 1/2"	10/30	\$ 148.71
1" x 2"	6/22	\$ 191.64
1 1/4"	10/33	\$ 149.21
1 1/2"	4/13	\$ 172.27
2"	4/20	\$ 420.46

74760-33

-33 PEP-7 x -33 PEP-7 x -33 PEP-7



Size	Carton PCS/WT	Price
3/4"	15/30	\$ 102.89
1"	10/35	\$ 178.24
1 1/2"	4/30	\$ 267.92
2"	4/38	\$ 502.74

74760-3G

-3G PEP x -3G PEP x -3G PEP



Size	Carton PCS/WT	Price
3/4"	15/39	\$ 102.89
1"		\$ 178.24

74760-3Q

-3Q PEP x -3Q PEP x -3Q PEP



Size	Carton PCS/WT	Price
3/4"	15/35	\$ 102.89
1"	10/35	\$ 178.24

74760-34

-34 PEP-9 x -34 PEP-9 x -34 PEP-9



Size	Carton PCS/WT	Price
3/4"	15/30	\$ 102.89
1"	10/35	\$ 178.24

74760-44

-44 PVC x -44 PVC x -44 PVC

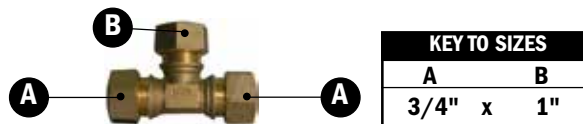


Size	Carton PCS/WT	Price
3/4"	15/32	\$ 102.89
1"	10/36	\$ 178.24
1 1/2"	4/25	\$ 267.92
2"	4/43	\$ 502.74

74760-55

-55 IP x -55 IP x -55 IP

Size	Carton PCS/WT	Price
3/4"	15/25	\$ 108.16
1"	10/37	\$ 178.24
1 1/2"	4/24	\$ 267.92



OPTIONS

See page 7 for pricing of the following:

- For Handyloc - Replace "Q" with "H" or "-3Q" with "3H" in 3/4" & 1".
- For C903 tube - Replace "Q" with "K". On "Q" Series options only 3/4" x 1" **only**.
- For valve or fitting less flare nut add "L" to end of model number.
- CTS Anode (QA) & Flare Anode (A) - Replace "Q" with "QA" or add "A" to flare.
- Insert stiffeners are **required** on all flexible plastic connections. (See page 18 for stiffeners)

Tees

CROSS SIZE END CONNECTIONS

A.Y. McDonald Service Fittings are manufactured to meet or exceed the AWWA C800 (latest revision) standard. Our service fittings are rated to withstand the same pressures as the tubing they are designed to fit. They are designed and tested for cold potable water only. EPDM rubber gaskets are used in our Compression fittings.

74760-22-33

-22 CTS x -22 CTS x -33 PEP-7

Size	Carton PCS/WT	Price
3/4"	20/33	\$ 76.93
1"	10/28	\$ 120.74

74760-22-55

-22 CTS x -22 CTS x -55 IP

Size	Carton PCS/WT	Price
3/4"	20/33	\$ 76.93
1"	10/28	\$ 131.05

74760Q-3Q

Q CTS x Q CTS x -3Q PEP



Size	Carton PCS/WT	Price
3/4"	20/37	\$ 76.93

74760-22-44

-22 CTS x -22 CTS x -44 PVC

Size	Carton PCS/WT	Price
3/4"	20/32	\$ 76.93
1"	10/27	\$ 120.74

74760G-3G

G CTS x G CTS x -3G PEP

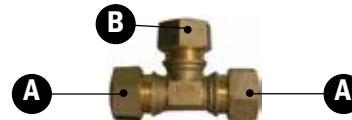


Size	Carton PCS/WT	Price
3/4"	20/37	\$ 76.93

74760-55-33

-55 IP x -55 IP x -33 PEP-7

Size	Carton PCS/WT	Price
3/4"	15/28	\$ 106.41



KEY TO SIZES	
A	B
3/4"	1"

OPTIONS

See page 7 for pricing of the following:

- For Handyloc - Replace "Q" with "H" or "-3Q" with "3H" in 3/4" & 1".
- For C903 tube - Replace "Q" with "K". On "Q" Series options only 3/4" x 1" **only**.
- For valve or fitting less flare nut add "L" to end of model number.
- CTS Anode (QA) & Flare Anode (A) - Replace "Q" with "QA" or add "A" to flare.
- Insert stiffeners are **required** on all flexible plastic connections. (See page 18 for stiffeners)

Tees

MALE NATIONAL PIPE THREAD OUTLET

A.Y. McDonald Service Fittings are manufactured to meet or exceed the AWWA C800 (latest revision) standard. Our service fittings are rated to withstand the same pressures as the tubing they are designed to fit. They are designed and tested for cold potable water only. EPDM rubber gaskets are used in our Compression fittings.

74762

Flare x Flare x MNPT



Size	Carton PCS/WT	Price
3/4"	25/34	\$ 47.14
3/4" x 1"	20/31	\$ 51.47
1"	20/45	\$ 76.10

74762G

G CTS x G CTS x MNPT



Size	Carton PCS/WT	Price
3/4"	25/33	\$ 52.46
3/4" x 1"	20/31	\$ 77.13
1"	20/38	\$ 72.37
1 1/4" x 1 1/2"	10/32	\$ 105.95

74762-3G

-3G PEP x -3G PEP x MNPT



Size	Carton PCS/WT	Price
1" x 1 1/2"	10/32	\$ 172.12

74762T

T CTS x T CTS x MNPT



Size	Carton PCS/WT	Price
3/4"	25/29	\$ 52.46
3/4" x 1"	20/25	\$ 77.13
1"	20/33	\$ 72.37
1 1/4" x 1 1/2"	10/32	\$ 105.95

74762Q

Q CTS x Q CTS x MNPT



Size	Carton PCS/WT	Price
3/4"	25/29	\$ 52.46
3/4" x 1"	20/27	\$ 77.13
1"	20/35	\$ 72.37
1 1/4" x 1 1/2"	10/32	\$ 105.95
1 1/2"	8/25	\$ 246.33
2"	6/22	\$ 342.40

74762-3Q

-3Q PEP x -3Q PEP x MNPT



Size	Carton PCS/WT	Price
3/4" x 2"	6/18	\$ 136.88
1" x 1 1/2"	10/32	\$ 172.12

74762-22

-22 CTS x -22 CTS x MNPT



Size	Carton PCS/WT	Price
3/4"	25/27	\$ 52.46
3/4" x 1"	20/26	\$ 77.13
1"	20/30	\$ 72.37
1 1/4" x 1 1/2"	10/32	\$ 105.95

74762-33

-33 PEP-7 x -33 PEP-7 x MNPT



Size	Carton PCS/WT	Price
1" x 1 1/2"	10/32	\$ 172.12

74762-44

-44 PVC x -44 PVC x MNPT



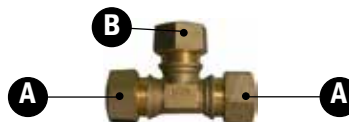
Size	Carton PCS/WT	Price
1" x 1 1/2"	10/32	\$ 172.12

74762-55

-55 IP x -55 IP x MNPT



Size	Carton PCS/WT	Price
1" x 1 1/2"	10/32	\$ 172.12



KEY TO SIZES	
A	B
3/4"	1"

OPTIONS

See page 7 for pricing of the following:

- For Handyloc - Replace "Q" with "H" or "-3Q" with "3H" in 3/4" & 1".
- For C903 tube - Replace "Q" with "K". On "Q" Series options only 3/4" x 1" only.
- For valve or fitting less flare nut add "L" to end of model number.
- CTS Anode (QA) & Flare Anode (A) - Replace "Q" with "QA" or add "A" to flare.
- Insert stiffeners are **required** on all flexible plastic connections. (See page 18 for stiffeners)

Tees

MALE NATIONAL PIPE THREAD RUN

A.Y. McDonald Service Fittings are manufactured to meet or exceed the AWWA C800 (latest revision) standard. Our service fittings are rated to withstand the same pressures as the tubing they are designed to fit. They are designed and tested for cold potable water only. EPDM rubber gaskets are used in our Compression fittings.

74763F

MNPT x MNPT x FNPT

Size	Carton PCS/WT	Price
3/4" x 1" x 9"	10/8	\$ 64.46

74763-22

MNPT x MNPT x -22 CTS

Size	Carton PCS/WT	Price
3/4" x 1"	20/25	\$ 59.66
3/4" x 1" x 9"	10/23	\$ 80.58
1"	20/22	\$ 70.62
1" x 1 1/4"	10/18	\$ 109.38
1" x 1 1/2"	10/20	\$ 115.81
1" x 2"	6/16	\$ 171.48



74763Q

MNPT x MNPT x Q CTS

Size	Carton PCS/WT	Price
3/4" x 1"	20/25	\$ 59.66
3/4" x 1" x 9"	10/24	\$ 80.58
1"	20/27	\$ 70.62
1" x 1 1/4"	10/26	\$ 109.38
1" x 1 1/2"	10/18	\$ 115.81
1" x 2"	6/16	\$ 171.48

74763

MNPT x MNPT x Flare

Size	Carton PCS/WT	Price
3/4"	25/23	\$ 39.16
3/4" x 1"	20/29	\$ 51.67
3/4" x 1" x 9"	10/19	\$ 76.32
1"	20/31	\$ 64.71
1" x 1 1/4"	10/22	\$ 100.78

74763G

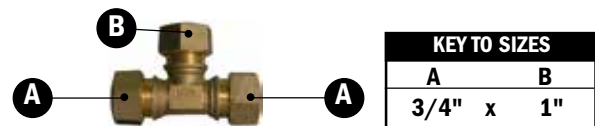
MNPT x MNPT x G CTS

Size	Carton PCS/WT	Price
3/4" x 1"	20/25	\$ 59.66
3/4" x 1" x 9"	10/24	\$ 80.58
1"	20/27	\$ 70.62
1" x 1 1/4"	10/26	\$ 109.38
1" x 1 1/2"	10/25	\$ 115.81
1" x 2"	6/16	\$ 171.48

74763T

MNPT x MNPT x T CTS

Size	Carton PCS/WT	Price
3/4" x 1"	20/25	\$ 59.66
3/4" x 1" x 9"	10/24	\$ 80.58
1"	20/27	\$ 70.62
1" x 1 1/4"	10/26	\$ 109.38
1" x 1 1/2"	10/25	\$ 115.81
1" x 2"	6/16	\$ 171.48



OPTIONS

See page 7 for pricing of the following:

- For Handyloc - Replace "Q" with "H" or "-3Q" with "3H" in 3/4" & 1".
- For C903 tube - Replace "Q" with "K". On "Q" Series options only 3/4" x 1" **only**.
- For valve or fitting less flare nut add "L" to end of model number.
- CTS Anode (QA) & Flare Anode (A) - Replace "Q" with "QA" or add "A" to flare.
- Insert stiffeners are **required** on all flexible plastic connections. (See page 18 for stiffeners)

Tees

FEMALE OUTLET

A.Y. McDonald Service Fittings are manufactured to meet or exceed the AWWA C800 (latest revision) standard. Our service fittings are rated to withstand the same pressures as the tubing they are designed to fit. They are designed and tested for cold potable water only. EPDM rubber gaskets are used in our Compression fittings.

74764

Flare x Flare x FNPT

Size	Carton PCS/WT	Price
1" x 1 1/4"	10/25	\$ 86.80
1" x 1 1/2"	10/25	\$ 102.73

74764-22

-22 CTS x -22 CTS x FNPT



Size	Carton PCS/WT	Price
3/4"	25/29	\$ 59.56
3/4" x 1"	20/29	\$ 60.97
1"	20/36	\$ 73.86
1" x 1 1/4"	10/25	\$ 121.50
1" x 1 1/2"	10/25	\$ 161.67
1 1/4"	10/35	\$ 126.20
1 1/4" x 3/4"	10/34	\$ 119.44
1 1/4" x 1"	10/34	\$ 126.11
1 1/2" x 3/4"	6/23	\$ 138.71
1 1/2" x 1"	6/24	\$ 138.71
2" x 3/4"	6/28	\$ 193.42
2" x 1"	6/28	\$ 193.42

74764G

G CTS x G CTS x FNPT



Size	Carton PCS/WT	Price
3/4"	25/37	\$ 59.56
3/4" x 1"	20/34	\$ 60.97
1"	20/41	\$ 73.86
1" x 1 1/4"	10/25	\$ 121.50
1" x 1 1/2"	10/25	\$ 161.67
1 1/4"	10/35	\$ 126.11
1 1/4" x 3/4"	10/36	\$ 119.44
1 1/4" x 1"	10/36	\$ 126.11
1 1/2" x 3/4"	6/20	\$ 138.71
1 1/2" x 1"	6/23	\$ 138.71
2" x 3/4"	6/21	\$ 193.42
2" x 1"	6/25	\$ 193.42

74764Q

Q CTS x Q CTS x FNPT



Size	Carton PCS/WT	Price
3/4"	25/30	\$ 59.56
3/4" x 1"	20/28	\$ 60.97
1"	20/37	\$ 73.86
1" x 1 1/4"	10/25	\$ 121.50
1" x 1 1/2"	10/25	\$ 161.67
1 1/4"	10/35	\$ 126.11
1 1/4" x 3/4"	10/36	\$ 119.44
1 1/4" x 1"	10/36	\$ 126.11
1 1/2"	8/26	\$ 246.33
1 1/2" x 3/4"	6/20	\$ 138.71
1 1/2" x 1"	6/20	\$ 138.71
2"	6/23	\$ 342.40
2" x 3/4"	6/22	\$ 193.42
2" x 1"	6/21	\$ 193.42

74764Q-CC

Q CTS x Q CTS x AWWA Thread Female

Size	Carton PCS/WT	Price
2" x 3/4"	6/21	\$ 193.42

74764T

T CTS x T CTS x FNPT



Size	Carton PCS/WT	Price
3/4"	25/31	\$ 59.56
3/4" x 1"	20/29	\$ 60.97
1"	20/38	\$ 73.86
1" x 1 1/4"	10/25	\$ 121.50
1" x 1 1/2"	10/25	\$ 161.67
1 1/4"	10/35	\$ 126.11
1 1/4" x 3/4"	10/36	\$ 119.44
1 1/4" x 1"	10/36	\$ 126.11
1 1/2" x 3/4"	6/20	\$ 138.71
1 1/2" x 1"	6/18	\$ 138.71
2" x 3/4"	6/21	\$ 193.42
2" x 1"	6/21	\$ 193.42

74764-3G

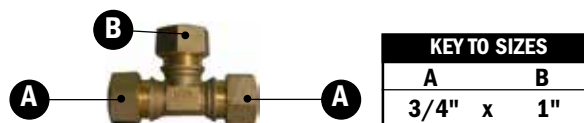
-3G PEP x -3G PEP x FNPT

Size	Carton PCS/WT	Price
3/4" x 1 1/4"	10/25	\$ 121.50
3/4" x 1 1/2"	10/25	\$ 161.67
1" x 3/4"	10/40	\$ 126.11
1"	10/40	\$ 126.11

74764-3Q

-3Q PEP x -3Q PEP x FNPT

Size	Carton PCS/WT	Price
3/4" x 1 1/4"	10/25	\$ 121.50
3/4" x 1 1/2"	10/25	\$ 161.67
1" x 3/4"	10/40	\$ 126.11
1"	10/40	\$ 126.11



OPTIONS

See page 7 for pricing of the following:

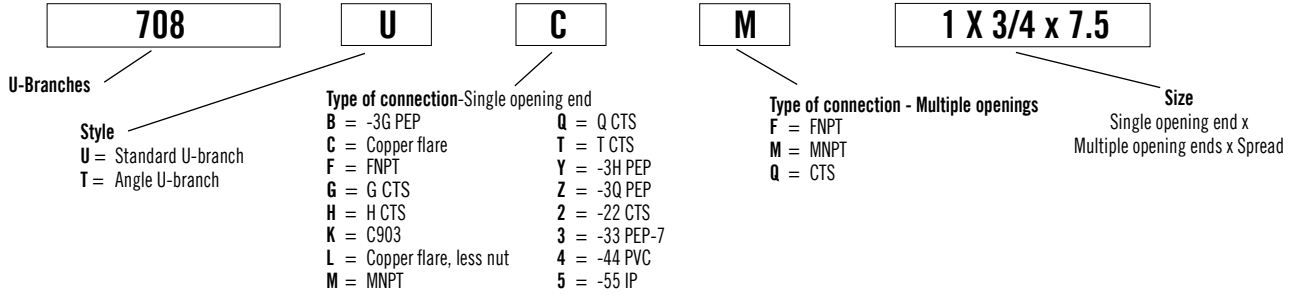
- For Handyloc - Replace "Q" with "H" or "-3Q" with "3H" in 3/4" & 1".
- For C903 tube - Replace "Q" with "K". On "Q" Series options only 3/4" x 1" **only**.
- For valve or fitting less flare nut add "L" to end of model number.
- CTS Anode (QA) & Flare Anode (A) - Replace "Q" with "QA" or add "A" to flare.
- Insert stiffeners are **required** on all flexible plastic connections. (See page 18 for stiffeners)

U-Branches

A.Y. McDonald Service Fittings are manufactured to meet or exceed the AWWA C800 (latest revision) standard. Our service fittings are rated to withstand the same pressures as the tubing they are designed to fit. They are designed and tested for cold potable water only. EPDM rubber gaskets are used in our Compression fittings.

U-branches available with valve assembled - contact factory. (See meter valve section, page 209)

To order U-Branch: Model No. 708UCM 1 x 3/4 x 7.5 means:



708UMM MNPT x MNPT



Size	Carton PCS/WT	Price
1" x 3/4" x 7.5	15/23	\$ 61.28
1" x 3/4" x 14	10/27	\$ 118.50
1" x 1" x 7.5	15/27	\$ 91.80
1" x 1" x 18	10/33	\$ 402.29
1 1/2" x 1" x 9	5/11	\$ 125.44
1 1/2" x 1" x 12	6/18	\$ 168.71
2" x 1" x 9	6/14	\$ 121.38

708UFQ FNPT x Q CTS



Size	Carton PCS/WT	Price
1" x 3/4" x 6.5	15/53	\$ 87.19

708UGM G CTS x MNPT



Size	Carton PCS/WT	Price
1" x 3/4" x 6.5	15/35	\$ 67.36
1" x 3/4" x 7.5	15/37	\$ 73.64
1" x 3/4" x 14	10/35	\$ 147.73
1" x 1" x 7.5	15/35	\$ 77.50
1" x 1" x 18	10/42	\$ 436.21
1 1/2" x 3/4" x 7.5	10/25	\$ 132.84
1 1/2" x 1" x 9	6/17	\$ 166.27

708UFF FNPT x FNPT



Size	Carton PCS/WT	Price
1" x 3/4" x 6.5	15/46	\$ 60.31
1" x 3/4" x 7.5	15/32	\$ 61.28
1" x 1" x 18	10/41	\$ 402.29

708UCM Flare x MNPT



Size	Carton PCS/WT	Price
3/4" x 3/4" x 6.5 x 100	15/41	\$ 59.08
1" x 3/4" x 6.5	15/37	\$ 65.03
1" x 3/4" x 7.5	15/33	\$ 71.30
1" x 3/4" x 14	10/36	\$ 123.93
1" x 1" x 7.5	15/38	\$ 106.82
1" x 1" x 18	10/40	\$ 434.89

708UQQ Q CTS x Q CTS

Size	Carton PCS/WT	Price
1" x 3/4" x 6.5	15/61	\$ 100.28

708UFM FNPT x MNPT



Size	Carton PCS/WT	Price
1" x 3/4" x 6.5	15/32	\$ 57.96
1" x 3/4" x 7.5	15/25	\$ 64.18
1" x 3/4" x 14	10/30	\$ 115.74
1" x 1" x 7.5	15/21	\$ 97.53
1" x 1" x 14	6/18	\$ 119.59
1" x 1" x 18	10/36	\$ 402.29
1 1/2" x 3/4" x 7.5	10/19	\$ 126.73
1 1/2" x 1" x 9		\$ 126.88

708U2M -22 CTS x MNPT



Size	Carton PCS/WT	Price
1" x 3/4" x 6.5	15/33	\$ 67.36
1" x 3/4" x 7.5	15/29	\$ 73.64
1" x 3/4" x 14	10/33	\$ 147.73
1" x 1" x 7.5	15/35	\$ 77.50
1" x 1" x 18	10/39	\$ 436.21
1 1/2" x 3/4" x 7.5	10/25	\$ 132.84
1 1/2" x 1" x 9	6/24	\$ 166.27

708UQM Q CTS x MNPT



Size	Carton PCS/WT	Price
1" x 3/4" x 6.5	15/37	\$ 67.36
1" x 3/4" x 7.5	15/31	\$ 73.64
1" x 3/4" x 14	10/35	\$ 147.73
1" x 1" x 7.5	15/34	\$ 77.50
1" x 1" x 18	10/38	\$ 436.21
1 1/2" x 3/4" x 7.5	10/24	\$ 132.84
1 1/2" x 1" x 9	6/17	\$ 166.27

OPTIONS

See page 7 for pricing of the following:

- For Handyloc - Replace "Q" with "H" or "-3Q" with "3H" in 3/4" & 1".
- For C903 tube - Replace "Q" with "K". On "Q" Series options only 3/4" x 1" **only**.
- For valve or fitting less flare nut add "L" to end of model number.
- CTS Anode (QA) & Flare Anode (A) - Replace "Q" with "QA" or add "A" to flare.
- Insert stiffeners are **required** on all flexible plastic connections. (See page 18 for stiffeners)

708UQF Q CTS x FNPT

Size	Carton PCS/WT	Price
1" x 3/4" x 6.5	15/52	\$ 73.40

U-Branches

A.Y. McDonald Service Fittings are manufactured to meet or exceed the AWWA C800 (latest revision) standard. Our service fittings are rated to withstand the same pressures as the tubing they are designed to fit. They are designed and tested for cold potable water only. EPDM rubber gaskets are used in our Compression fittings.

708UTM

T CTS x MNPT



Size	Carton PCS/WT	Price
1" x 3/4" x 6.5	15/36	\$ 67.36
1" x 3/4" x 7.5	15/33	\$ 73.64
1" x 3/4" x 14	10/34	\$ 147.73
1" x 1" x 7.5	15/35	\$ 77.50
1" x 1" x 18	10/42	\$ 436.21
1 1/2" x 3/4" x 7.5	10/22	\$ 132.84
1 1/2" x 1" x 9	6/17	\$ 166.27

708UBM

-3G PEP x MNPT

Size	Carton PCS/WT	Price
1" x 3/4" x 7.5	10/25	\$ 84.10

708U4M

-44 PVC x MNPT

Size	Carton PCS/WT	Price
1" x 3/4" x 7.5	10/23	\$ 84.10
1 1/4" x 1" x 9	6/20	\$ 174.74
1 1/2" x 3/4" x 7.5	10/29	\$ 153.09

708U3M

-33 PEP-7 x MNPT



Size	Carton PCS/WT	Price
1" x 3/4" x 7.5	10/22	\$ 84.10

708UZM

-3Q PEP x MNPT

Size	Carton PCS/WT	Price
1" x 3/4" x 7.5	10/24	\$ 84.10

708U5M

-55 IP x MNPT

Size	Carton PCS/WT	Price
1 1/2" x 3/4" x 7.5	10/27	\$ 176.87

Angle U-Branches

708TMM

MNPT x MNPT

Size	Carton PCS/WT	Price
1 1/2" x 1" x 12	6/18	\$ 168.71

708TFQ

FNPT x Q CTS

Size	Carton PCS/WT	Price
1" x 3/4" x 6.5	15/62	\$ 83.34

708T2M

-22 CTS x MNPT

Size	Carton PCS/WT	Price
1" x 3/4" x 6.5	15/33	\$ 77.87

708TFF

FNPT x FNPT

Size	Carton PCS/WT	Price
1" x 3/4" x 6.5	15/46	\$ 72.88

708TCM

Flare x MNPT

Size	Carton PCS/WT	Price
1" x 3/4" x 6.5	15/37	\$ 70.80

708TQQ

Q CTS x Q CTS

Size	Carton PCS/WT	Price
1" x 3/4" x 6.5	15/70	\$ 89.62

708TFM

FNPT x MNPT

Size	Carton PCS/WT	Price
1" x 3/4" x 6.5	15/29	\$ 64.71

708TCF

Flare x FNPT

Size	Carton PCS/WT	Price
1" x 3/4" x 6.5	15/38	\$ 78.04

708TQF

Q CTS x FNPT

Size	Carton PCS/WT	Price
1" x 3/4" x 6.5	15/52	\$ 79.16

OPTIONS

See page 7 for pricing of the following:

- For Handyloc - Replace "Q" with "H" or "-3Q" with "3H" in 3/4" & 1".
- For C903 tube - Replace "Q" with "K". On "Q" Series options only 3/4" x 1" **only**.
- For valve or fitting less flare nut add "L" to end of model number.
- CTS Anode (QA) & Flare Anode (A) - Replace "Q" with "QA" or add "A" to flare.
- Insert stiffeners are **required** on all flexible plastic connections. (See page 18 for stiffeners)

708TTM

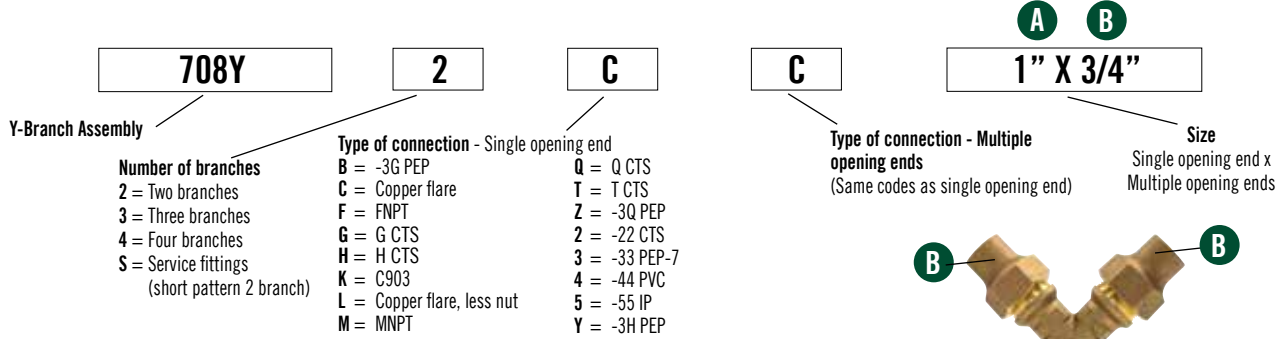
T CTS x MNPT

Size	Carton PCS/WT	Price
1" x 3/4" x 6.5	15/34	\$ 77.87

Y-Branches

A.Y. McDonald Service Fittings are manufactured to meet or exceed the AWWA C800 (latest revision) standard. Our service fittings are rated to withstand the same pressures as the tubing they are designed to fit. They are designed and tested for cold potable water only. EPDM rubber gaskets are used in our Compression fittings.

To order Y-Branch Assemblies: Model No. 708Y2CC 1" x 3/4" means:



708YSMM

MNPT x MNPT

Size	Carton PCS/WT	Price
1" x 3/4"	20/13	\$ 57.31

708YSMQ

MNPT x Q CTS

Size	Carton PCS/WT	Price
1" x 3/4"	20/26	\$ 57.97
1" x 1"	20/33	\$ 88.29

708YSMC

MNPT x Flare

Size	Carton PCS/WT	Price
1" x 3/4"	20/28	\$ 53.20

708YSMT

MNPT x T CTS

Size	Carton PCS/WT	Price
1" x 3/4"	20/25	\$ 57.97
1" x 1"	20/33	\$ 88.29

708YSM2

MNPT x -22 CTS

Size	Carton PCS/WT	Price
1" x 3/4"	20/23	\$ 57.97
1" x 1"	20/34	\$ 88.29

708YSM3

MNPT x -33 PEP-7

Size	Carton PCS/WT	Price
1" x 3/4"	15/27	\$ 88.63

708YSMG

MNPT x G CTS

Size	Carton PCS/WT	Price
1" x 3/4"	20/26	\$ 57.97
1" x 1"	20/33	\$ 88.29

708YSMZ

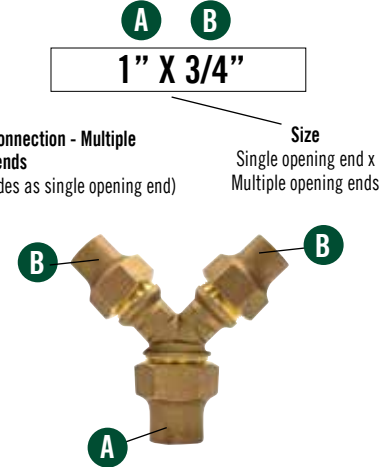
MNPT x -3Q PEP

Size	Carton PCS/WT	Price
1" x 3/4"	15/29	\$ 88.63

OPTIONS

See page 7 for pricing of the following:

- For Handyloc - Replace "Q" with "H" or "-3Q" with "3H" in 3/4" & 1".
- For C903 tube - Replace "Q" with "K". On "Q" Series options only 3/4" x 1" **only**.
- For valve or fitting less flare nut add "L" to end of model number.
- CTS Anode (QA) & Flare Anode (A) - Replace "Q" with "QA" or add "A" to flare.
- Insert stiffeners are **required** on all flexible plastic connections. (See page 18 for stiffeners)



708YSCC

Flare x Flare

Size	Carton PCS/WT	Price
1" x 3/4"	20/42	\$ 59.45
1" x 1"	10/25	\$ 105.76

708YSCM

Flare x MNPT

Size	Carton PCS/WT	Price
1" x 1"	20/28	\$ 78.95

708YS22

-22 CTS x -22 CTS

Size	Carton PCS/WT	Price
1" x 3/4"	20/31	\$ 61.75
1" x 1"	10/23	\$ 94.61
1 1/4" x 1"	10/32	\$ 131.74
1 1/2" x 1"	8/23	\$ 149.33
2" x 1"	8/30	\$ 172.62

708YS2M

-22 CTS x MNPT

Size	Carton PCS/WT	Price
1" x 1"	20/24	\$ 86.15

Y-Branches

A.Y. McDonald Service Fittings are manufactured to meet or exceed the AWWA C800 (latest revision) standard. Our service fittings are rated to withstand the same pressures as the tubing they are designed to fit. They are designed and tested for cold potable water only. EPDM rubber gaskets are used in our Compression fittings.

708YS23

-22 CTS x -33 PEP-7

Size	Carton PCS/WT	Price
1" x 3/4"	10/25	\$ 94.83

708YSTT

T CTS x T CTS

Size	Carton PCS/WT	Price
1" x 3/4"	20/34	\$ 61.75
1" x 1"	10/26	\$ 94.62
1 1/4" x 1"	10/30	\$ 131.74
1 1/2" x 1"	8/21	\$ 149.33
2" x 1"	8/27	\$ 172.62



708Y2M2

MNPT x -22 CTS

Size	Carton PCS/WT	Price
1 1/2" x 1"	8/15	\$ 94.03
2" x 1"	8/17	\$ 120.39

708YSGG

G CTS x G CTS

Size	Carton PCS/WT	Price
1" x 3/4"	20/40	\$ 61.75
1" x 1"	10/29	\$ 94.62
1 1/4" x 1"	10/37	\$ 131.74
1 1/2" x 1"	8/26	\$ 149.33
2" x 1"	8/27	\$ 172.62



708YS33

-33 PEP-7 x -33 PEP-7

Size	Carton PCS/WT	Price
1" x 3/4"	10/31	\$ 127.48



708Y2MG

MNPT x G CTS

Size	Carton PCS/WT	Price
1 1/2" x 1"	8/18	\$ 94.03
2" x 1"	8/20	\$ 120.39



708YSQQ

Q CTS x Q CTS

Size	Carton PCS/WT	Price
1" x 3/4"	20/35	\$ 61.75
1" x 1"	10/26	\$ 94.61
1 1/4" x 1"	10/33	\$ 131.74
1 1/2" x 1"	8/23	\$ 149.33
2" x 1"	8/28	\$ 172.62



708YSZZ

-3Q PEP x -3Q PEP

Size	Carton PCS/WT	Price
1" x 3/4"	10/33	\$ 127.48

708Y2MQ

MNPT x Q CTS

Size	Carton PCS/WT	Price
1 1/2" x 1"	8/17	\$ 94.03
2" x 1"	8/19	\$ 120.39

708YSQM

Q CTS x MNPT

Size	Carton PCS/WT	Price
1" x 1"	20/26	\$ 86.15

708YS44

-44 PVC x -44 PVC

Size	Carton PCS/WT	Price
1" x 3/4"	10/34	\$ 127.48

708Y2MT

MNPT x T CTS Compression

Size	Carton PCS/WT	Price
1 1/2" x 1"	8/17	\$ 94.03
2" x 1"	8/18	\$ 120.39

708YSQZ

Q CTS x -3Q PEP

Size	Carton PCS/WT	Price
1" x 3/4"	10/26	\$ 94.83

708YS55

-55 IP x -55 IP

Size	Carton PCS/WT	Price
1" x 3/4"	10/28	\$ 127.48

OPTIONS

See page 7 for pricing of the following:

- For Handyloc - Replace "Q" with "H" or "-3Q" with "3H" in 3/4" & 1".
- For C903 tube - Replace "Q" with "K". On "Q" Series options only 3/4" x 1" **only**.
- For valve or fitting less flare nut add "L" to end of model number.
- CTS Anode (QA) & Flare Anode (A) - Replace "Q" with "QA" or add "A" to flare.
- Insert stiffeners are **required** on all flexible plastic connections. (See page 18 for stiffeners)

Y-Branches

A.Y. McDonald Service Fittings are manufactured to meet or exceed the AWWA C800 (latest revision) standard. Our service fittings are rated to withstand the same pressures as the tubing they are designed to fit. They are designed and tested for cold potable water only. EPDM rubber gaskets are used in our Compression fittings.

Service Fittings

708Y2CC

Flare x Flare



Size	Carton PCS/WT	Price
1" x 3/4"	1/3	\$ 144.62
1" x 1"	1/4	\$ 148.58
1 1/4" x 3/4"	1/4	\$ 160.81
1 1/2" x 1"	1/5	\$ 170.04

708Y4MG

MNPT x G CTS



Size	Carton PCS/WT	Price
2" x 3/4"	1/6	\$ 395.24

708Y422

-22 CTS x -22 CTS

Size	Carton PCS/WT	Price
2" x 3/4"	1/7	\$ 455.50
2" x 1"	1/8	\$ 465.31

708Y3MC

MNPT x Flare

Size	Carton PCS/WT	Price
2" x 1"	1/6	\$ 244.09

708Y4MQ

MNPT x Q CTS

Size	Carton PCS/WT	Price
2" x 3/4"	1/6	\$ 395.24

708Y4GG

G CTS x G CTS

Size	Carton PCS/WT	Price
2" x 3/4"	1/7	\$ 455.50
2" x 1"	1/8	\$ 465.31

708Y4MC

MNPT x Flare



Size	Carton PCS/WT	Price
2" x 3/4"	1/6	\$ 385.42
2" x 1"	1/7	\$ 431.11

708Y4MT

MNPT x T CTS

Size	Carton PCS/WT	Price
2" x 3/4"	1/6	\$ 395.24
2" x 1"	1/7	\$ 405.19

708Y4QQ

Q CTS x Q CTS

Size	Carton PCS/WT	Price
2" x 3/4"	1/7	\$ 455.50
2" x 1"	1/8	\$ 465.31

708Y4M2

MNPT x -22 CTS

Size	Carton PCS/WT	Price
2" x 3/4"	1/6	\$ 395.24
2" x 1"	1/6	\$ 405.19

708Y4CC

Flare x Flare



Size	Carton PCS/WT	Price
2" x 3/4"	1/10	\$ 413.28
2" x 1"	1/11	\$ 408.29

708Y4TT

T CTS x T CTS

Size	Carton PCS/WT	Price
2" x 3/4"	1/6	\$ 455.50
2" x 1"	1/8	\$ 465.31

74765

Multi-Service Y FNPT x (Four) FNPT



Size	Carton PCS/WT	Price
2" x 1"	10/28	\$ 120.39

OPTIONS

See page 7 for pricing of the following:

- For Handyloc - Replace "Q" with "H" or "-3Q" with "3H" in 3/4" & 1".
- For C903 tube - Replace "Q" with "K". On "Q" Series options only 3/4" x 1" **only**.
- For valve or fitting less flare nut add "L" to end of model number.
- CTS Anode (QA) & Flare Anode (A) - Replace "Q" with "QA" or add "A" to flare.
- Insert stiffeners are **required** on all flexible plastic connections. (See page 18 for stiffeners)

Nuts & Gaskets

4700

Copper Flare Nut



Size	Carton PCS/WT	Price
1/2"	50/7	\$ 3.68
3/4"	50/17	\$ 6.06
1"	50/28	\$ 10.03
1 1/4"	25/22	\$ 16.10
1 1/2"	20/26	\$ 28.00
2"	20/46	\$ 52.20

4700A

Copper Flare Nut with Anode



Size	Carton PCS/WT	Price
3/4"	50/22	\$ 15.90
1"	50/35	\$ 19.86

4700-22

Mac Pak -22 CTS Pack Nut & Gasket Assembly



Size	Carton PCS/WT	Price
1/2"	50/11	\$ 6.54
3/4"	50/13	\$ 7.20
1"	50/17	\$ 11.05
1 1/4"	25/13	\$ 19.76
2 1/2"	5/9	\$ 56.05

4700-22-12

Mac Pak -22 CTS Pack Nut & Gasket Assembly



Size	Carton PCS/WT	Price
1 1/2"	20/16	\$ 23.30
2"	20/28	\$ 32.79

4700-22-16

Mac Pak -22 CTS Pack Nut & Gasket Assembly



Size	Carton PCS/WT	Price
1 1/2"	25/21	\$ 23.30
2"	25/33	\$ 32.79

4700-22FT

Mac Pak -22 CTS Pack Nut & Gasket Assembly



Size	Carton PCS/WT	Price
1 1/2"	20/24	\$ 34.76
2"	20/32	\$ 44.08

4700-22GA

Mac Pak -22 CTS Gasket Assembly



Size	Carton PCS/WT	Price
1/2"	50/1	\$ 1.29
3/4"	50/1	\$.86
1"	50/1	\$ 1.08
1 1/4"	50/1	\$ 3.03
1 1/2"	10/1	\$ 4.58
2"	10/1	\$ 6.99

4700-22RWGA

Mac Pak -22 CTS Gasket Assembly



Size	Carton PCS/WT	Price
1 1/2"	10/1	\$ 4.00
2"	10/1	\$ 3.14

4700CSS

Mac Pak Small Clamp Screw

Size	Carton PCS/WT	Price
	25/1	\$ 1.00

4700CSL

Mac Pak Large Clamp Screw

Size	Carton PCS/WT	Price
	25/1	\$ 1.96

4700G

McGrip G CTS Grip Nut & Gasket Assembly



Size	Carton PCS/WT	Price
3/4"	50/19	\$ 9.32
1"	50/27	\$ 15.22
1 1/4"	25/20	\$ 21.34

4700G-12

McGrip G CTS Grip Nut & Gasket Assembly



Size	Carton PCS/WT	Price
1 1/2"	25/22	\$ 27.27
2"	25/28	\$ 37.71

4700G-16

McGrip G CTS Grip Nut & Gasket Assembly



Size	Carton PCS/WT	Price
1 1/2"	25/22	\$ 27.27
2"	25/28	\$ 37.71

4700GFT

McGrip G CTS Grip Nut & Gasket Assembly



Size	Carton PCS/WT	Price
1 1/2"	25/26	\$ 37.14
2"	25/35	\$ 44.95

4700GGA

McGrip G CTS Gasket Assembly

Size	Carton PCS/WT	Price
3/4"	25/1	\$ 3.11
1"	25/2	\$ 3.91
1 1/4"	10/1	\$ 6.71
1 1/2"	10/1	\$ 10.29
2"	10/12	\$ 15.43

4700GRWGA

McGrip G CTS Gasket Assembly

Size	Carton PCS/WT	Price
1 1/2"	10/1	\$ 9.73
2"	10/12	\$ 9.93

4700HAYS

Haystite Nut & Gasket Assembly

Size	Carton PCS/WT	Price
3/4"	60/20	\$ 14.74
1"	24/13	\$ 18.07

4700H

Handy-Loc H CTS Nut & Gasket Assembly



Size	Carton PCS/WT	Price
3/4"	50/15	\$ 14.32
1"	50/22	\$ 17.92

Nuts & Gaskets

4700HGR

Handy-Loc H CTS Gripper

Size	Carton PCS/WT	Price
3/4"	10/1	\$ 1.72
1"	10/1	\$ 1.72

4700HOR

Handy-Loc H CTS O-Ring

Size	Carton PCS/WT	Price
3/4"	10/0	\$ 2.89
1"	10/1	\$ 2.89

74700K

C903 K Nut & Gasket Assembly

Size	Carton PCS/WT	Price
3/4"	10/6	\$ 38.58
1"	10/8	\$ 50.97

4700KA

C903 K Nut with Anode & Gasket Assembly

Size	Carton PCS/WT	Price
3/4"	10/6	\$ 34.27

4700KGR

C903 K Grip Ring

Size	Carton PCS/WT	Price
3/4"	10/2	\$ 8.29
1"	10/1	\$ 8.83

74700QCAP

Cap for CTS end

Size	Carton PCS/WT	Price
3/4"	25/7	\$ 39.17
1"	25/17	\$ 63.35

4700KOKIT

C903 K O-Ring

Size	Carton PCS/WT	Price
3/4"	10/1	\$ 5.88
1"	10/1	\$ 7.64

4700Q

McQuick Q CTS Quick Nut & Gasket Assembly



Size	Carton PCS/WT	Price
3/4"	50/14	\$ 11.05
1"	50/23	\$ 13.56
1 1/4"	25/14	\$ 22.20

4700Q-12

McQuick Q CTS Quick Nut & Gasket Assembly



Size	Carton PCS/WT	Price
1 1/2"	20/12	\$ 28.90
2"	20/15	\$ 39.96

4700Q-16

McQuick Q CTS Quick Nut & Gasket Assembly



Size	Carton PCS/WT	Price
1 1/2"	25/14	\$ 28.90
2"	25/25	\$ 39.96

4700QA

McQuick Q CTS Quick Nut with Anode & Gasket Assembly

Size	Carton PCS/WT	Price
3/4"	50/18	\$ 20.88
1"	25/13	\$ 23.39
1 1/4"	25/15	\$ 31.16

4700QA-12

McQuick Q CTS Quick Nut with Anode & Gasket Assembly

Size	Carton PCS/WT	Price
1 1/2"	20/16	\$ 38.73
2"	20/18	\$ 49.79

4700QA-16

McQuick Q CTS Quick Nut with Anode & Gasket Assembly

Size	Carton PCS/WT	Price
1 1/2"	25/17	\$ 38.73
2"	20/18	\$ 49.79

4700QGA

McQuick Q CTS Gasket Assembly

Size	Carton PCS/WT	Price
3/4"	50/1	\$ 4.29
1"	50/1	\$ 5.16
1 1/4"	10/1	\$ 6.82
1 1/2"	10/1	\$ 11.00
2"	10/1	\$ 15.15

4700T

T CTS Nut & Gasket Assembly



Size	Carton PCS/WT	Price
3/4"	50/14	\$ 9.27
1"	50/21	\$ 15.19
1 1/4"	25/18	\$ 21.33

4700T-12

T CTS Nut & Gasket Assembly



Size	Carton PCS/WT	Price
1 1/2"	20/9	\$ 27.24
2"	20/15	\$ 37.68

4700T-16

T CTS Nut & Gasket Assembly



Size	Carton PCS/WT	Price
1 1/2"	20/9	\$ 37.11
2"	20/15	\$ 44.95

Nuts & Gaskets

4700TFT

T CTS Nut & Gasket Assembly



Size	Carton PCS/WT	Price
1 1/2"	20/17	\$ 37.11
2"	20/28	\$ 44.95

4700TA

T CTS Nut with Anode & Gasket Assembly



Size	Carton PCS/WT	Price
3/4"	50/16	\$ 19.10
1"	25/12	\$ 25.02

4700TGA

T CTS Gasket Assembly

Size	Carton PCS/WT	Price
3/4"	50/1	\$ 3.99
1"	50/1	\$ 4.94
1 1/4"	10/4	\$ 15.18
1 1/2"	10/1	\$ 13.13
2"	10/2	\$ 19.78

4700TRWGA

T CTS Gasket Assembly

Size	Carton PCS/WT	Price
1 1/2"	10/1	\$ 12.43
2"	10/1	\$ 12.67

4700-33

Mac Pak -33 SIDR 7 PEP
Pack Nut & Gasket Assembly



Size	Carton PCS/WT	Price
3/4"	50/18	\$ 12.02
1"	25/13	\$ 19.76
1 1/4"	20/22	\$ 31.17
2"	20/30	\$ 42.12

4700-33A

Mac Pak -33 SIDR 7 & PEP with Anode Connection

Size	Carton PCS/WT	Price
1 1/4"	20/23	\$ 40.98
2"	20/31	\$ 51.91

4700-33-12

Mac Pak -33 SIDR 7 PEP
Pack Nut & Gasket Assembly



Size	Carton PCS/WT	Price
1 1/2"	20/27	\$ 32.32

4700-33FT

Mac Pak -33 SIDR 7 PEP
Pack Nut & Gasket Assembly



Size	Carton PCS/WT	Price
1 1/2"	20/32	\$ 44.22

4700-33GA

Mac Pak -33 SIDR 7 PEP Gasket Assembly



Size	Carton PCS/WT	Price
3/4"	50/1	\$ 3.12
1"	25/1	\$ 3.03
1 1/4"	10/5	\$ 7.13
1 1/2"	10/1	\$ 6.99
2"	10/92	\$ 4.35

4700-33RWGA

Mac Pak -33 SIDR 7 PEP Gasket Assembly



Size	Carton PCS/WT	Price
1 1/2"	10/1	\$ 3.14

4700-34

Mac Pak -34 SIDR 9 PEP
Pack Nut & Gasket Assembly



Size	Carton PCS/WT	Price
3/4"	50/18	\$ 12.06
1"	25/13	\$ 19.78
1 1/4"	20/22	\$ 31.17

4700-3G

McGrip -3G SIDR 7 PEP
Grip Nut & Gasket Assembly



Size	Carton PCS/WT	Price
3/4"	50/26	\$ 13.39
1"	25/19	\$ 21.34

4700-3GGA

McGrip -3G SIDR 7 PEP Gasket Assembly

Size	Carton PCS/WT	Price
3/4"	25/1	\$ 5.95
1"	25/1	\$ 6.71

4700-3H

Handy-Loc -3H SIDR 7 PEP
Nut & Gasket Assembly



Size	Carton PCS/WT	Price
3/4"	50/24	\$ 17.71
1"	50/34	\$ 27.87

4700-3HGR

Handy-Loc -3H SIDR 7 PEP Gripper

Size	Carton PCS/WT	Price
3/4"	10/1	\$ 1.72
1"	10/1	\$ 1.72

4700-3HOR

Handy-Loc -3H SIDR 7 PEP O-Ring

Size	Carton PCS/WT	Price
3/4"	10/1	\$ 2.89
1"	10/1	\$ 2.89

4700-3Q

McQuick -3Q SIDR 7 PEP
Quick Nut & Gasket Assembly



Size	Carton PCS/WT	Price
3/4"	50/22	\$ 16.82
1"	50/28	\$ 22.20

Nuts & Gaskets

4700-3QA

McQuick -3Q SIDR 7 PEP Quick Nut with Anode & Gasket Assembly

Size	Carton PCS/WT	Price
3/4"	25/14	\$ 23.18
1"	25/16	\$ 31.16

4700-3QGA

McQuick -3Q SIDR 7 PEP Gasket Assembly

Size	Carton PCS/WT	Price
3/4"	50/1	\$ 4.98
1"	10/1	\$ 6.82

4700-44

Mac Pak -44 PVC Pack Nut & Gasket Assembly

Size	Carton PCS/WT	Price
3/4"	50/18	\$ 12.02
1"	25/13	\$ 19.74
1 1/2"	20/20	\$ 33.10
2"	20/29	\$ 41.53

4700-44-12

Mac Pak -44 PVC Pack Nut & Gasket Assembly

Size	Carton PCS/WT	Price
1 1/4"	20/16	\$ 21.11

4700-44FT

Mac Pak -44 PVC Pack Nut & Gasket Assembly

Size	Carton PCS/WT	Price
1 1/4"	20/24	\$ 38.84

4700-44GA

Mac Pak -44 PVC Gasket Assembly

Size	Carton PCS/WT	Price
3/4"	50/1	\$ 3.12
1"	50/1	\$ 3.03
1 1/4"	10/1	\$ 6.94
1 1/2"	10/1	\$ 3.01
2"	10/1	\$ 6.29

4700-44RWGA

Mac Pak -44 PVC Gasket Assembly

Size	Carton PCS/WT	Price
1 1/4"	10/1	\$ 2.76

4700-55

Mac Pak -55 IP Pack Nut & Gasket Assembly

Size	Carton PCS/WT	Price
3/4"	50/12	\$ 7.72
1"	20/13	\$ 13.39
1 1/2"	20/23	\$ 25.10
2"	20/27	\$ 31.75

4700-55GA

Mac Pak -55 IP Gasket Assembly

Size	Carton PCS/WT	Price
3/4"	50/1	\$ 1.77
1"	50/2	\$ 1.93
1 1/2"	10/4	\$ 3.01
2"	10/8	\$ 3.50

4700-66

Mac Pak -66 Strong Lead Pack Nut & Gasket Assembly

Size	Carton PCS/WT	Price
5/8"		\$ 12.16
3/4"		\$ 11.74
1"	25/13	\$ 19.99

4700-66GA

Mac Pak -66 Strong Lead Gasket Assembly

Size	Carton PCS/WT	Price
5/8"	10/1	\$ 1.77
3/4"	10/1	\$ 1.08
1"	10/2	\$ 2.23

4700-67

Mac Pak -67 X Strong Lead Pack Nut & Gasket Assembly

Size	Carton PCS/WT	Price
1/2"	50/18	\$ 7.20
5/8"		\$ 11.84
3/4"	50/20	\$ 16.07
1"	25/13	\$ 19.76
1 1/4"		\$ 21.53
1 1/2"		\$ 39.17
2"		\$ 67.68

4700-67GA

Mac Pak -67 X Strong Lead Gasket Assembly

Size	Carton PCS/WT	Price
1/2"	10/1	\$.86
5/8"	10/1	\$ 1.77
3/4"	10/1	\$ 1.93
1"	10/2	\$ 2.23
1 1/4"	10/1	\$ 2.26
1 1/2"	10/4	\$ 3.14
2"	10/8	\$ 6.76

4700-68

Mac Pak -68 XX Strong Lead Pack Nut & Gasket Assembly

Size	Carton PCS/WT	Price
1/2"	50/18	\$ 12.16
5/8"		\$ 11.74
3/4"		\$ 15.14
1"	25/13	\$ 19.76

4700-68GA

Mac Pak -68 XX Strong Lead Gasket Assembly

Size	Carton PCS/WT	Price
1/2"	10/1	\$ 1.77
5/8"	10/1	\$ 1.08
3/4"	10/1	\$ 2.27
1"	10/1	\$ 2.15

4772 CTS Chamfer Tool



Size	Carton PCS/WT	Price
3/4"	1/1	\$ 32.51
1"	1/1	\$ 32.51

4773 PEP Chamfer Tool



Size	Carton PCS/WT	Price
3/4"	1/1	\$ 32.51
1"	1/1	\$ 32.51

6125 Solid Copper Disc

Size	Carton PCS/WT	Price
3/4"	1/1	\$ 2.26
1"	1/1	\$ 3.01
1 1/4"	1/1	\$ 4.47
1 1/2"	1/1	\$ 7.42
2"	1/1	\$ 8.24

6131T Plastic CTS Insert Stiffener

Size	Carton PCS/WT	Price
3/4"	50/1	\$ 1.64
1"	50/1	\$ 2.27

74692 CTS x Flare Conversion Insert

Size	Carton PCS/WT	Price
3/4"	25/3	\$ 17.09
1"	10/3	\$ 21.27
1 1/4"	10/5	\$ 126.19

74692CPLL Female CTS Conversion Coupling to Flare

Size	Carton PCS/WT	Price
1 1/2"	10/20	\$ 114.98
-16 1 1/2"	10/20	\$ 114.98

4773R Replacement Blades for Handy-Loc Chamfer Tools (25 per)

Size	Carton PCS/WT	Price
	25/25	\$ 21.26

4774FR Flaring/Rounding Tools

Size	Carton PCS/WT	Price
3/4"	1/2	\$ 73.28
1"	1/3	\$ 84.98
1 1/4"	1/4	\$ 104.00
1 1/2"	1/5	\$ 120.10
2"	1/8	\$ 140.60

6133T Stainless Steel CTS Insert Stiffener ASTM D2737 SDR 9

Size	Carton PCS/WT	Price
3/4"	50/2	\$ 2.32
1"	50/3	\$ 2.46
1 1/4"	50/4	\$ 3.03
1 1/2"	50/4	\$ 3.39
2"	50/5	\$ 3.39

6136 Stainless Steel PEP Insert Stiffener ASTM D2239 SDR 7 and 9

Size	Carton PCS/WT	Price
3/4"	50/3	\$ 2.63
1"	50/4	\$ 3.03
1 1/4"	50/5	\$ 4.50
1 1/2"	50/6	\$ 3.39
2"	25/3	\$ 5.42

74692CPLQ Female CTS x CTS

Size	Carton PCS/WT	Price
2" x 1 1/2"	10/31	\$ 152.60

74692PEP PEP to Flare Conversion Insert

Size	Carton PCS/WT	Price
3/4"	10/3	\$ 21.27

74694-33-22 Conversion Coupling PEP to CTS

Size	Carton PCS/WT	Price
3/4" x 1"	10/46	\$ 89.04

4775N Flaring Tools



Size	Carton PCS/WT	Price
3/4"	1/1	\$ 27.75
1"	1/2	\$ 39.21
1 1/4"	1/2	\$ 61.81
1 1/2"	1/3	\$ 77.05
2"	1/4	\$ 105.96

6137 Stainless Steel IPS Insert Stiffener ASTM D3035 SDR 9

Size	Carton PCS/WT	Price
3/4"	50/3	\$ 2.32
1"	50/4	\$ 2.46
1 1/4"	25/2	\$ 4.95
1 1/2"	25/3	\$ 5.31
2"	25/4	\$ 6.00

6138 Stainless Steel IPS Insert Stiffener ASTM D3035 SDR 11

Size	Carton PCS/WT	Price
3/4"	50/3	\$ 2.32
1"	50/3	\$ 2.46
1 1/4"	25/3	\$ 4.95
1 1/2"	25/3	\$ 5.31
2"	25/4	\$ 6.00

74692T CTS x CTS Reducing Adapter

Size	Carton PCS/WT	Price
1" x 3/4"	1/1	\$ 38.92

74692Q CTS x CTS Reducing Adapter

Size	Carton PCS/WT	Price
1" x 3/4"	1/1	\$ 38.92

74693 Plug Kit for CTS

Size	Carton PCS/WT	Price
3/4"	10/4	\$ 47.50
1"	10/6	\$ 51.61



Meter Valves



Meter Valves

Water Works Catalog / Price List - July 2017

MORE THAN A BRAND. WE'RE A FAMILY.

Meter Couplings - Straight

Meter swivel nuts are less saddle, have internal straight threads per AWWA C700 and include hole for wire seal unless otherwise indicated. EPDM rubber gaskets are supplied and are standard. (For Meter Dimensions see page 235)

3/4" METER SWIVEL FITS 5/8" X 3/4", OR 3/4" METERS

74620

Meter Swivel x MNPT



Size	Meter Size	Length	MNPT Outlet	Carton PCS/WT	Price
5/8" x 1/2" x 2.38	5/8"	2 3/8"	1/2"	50/17	\$ 14.05
5/8" x 3/4" x 2.19	5/8"	2 3/16"	3/4"	50/21	\$ 17.53
3/4" x 3/4" x 2.50	5/8" x 3/4" or 3/4"	2 1/2"	3/4"	50/20	\$ 15.90
3/4" x 1/2" x 2.38	5/8" x 3/4" or 3/4"	2 3/8"	1/2"	50/20	\$ 20.17
3/4" x 1" x 2.50	5/8" x 3/4" or 3/4"	2 1/2"	1"	50/31	\$ 24.75
3/4" x 3/4" x 2.00	5/8" x 3/4" or 3/4"	2"	3/4"	50/20	\$ 15.90
3/4" x 3/4" x 2.25	5/8" x 3/4" or 3/4"	2 1/4"	3/4"	50/19	\$ 15.90
3/4" x 3/4" x 2.75	5/8" x 3/4" or 3/4"	2 3/4"	3/4"	50/23	\$ 17.68
3/4" x 3/4" x 3.00	5/8" x 3/4" or 3/4"	3"	3/4"	50/25	\$ 19.29
3/4" x 3/4" x 3.28	5/8" x 3/4" or 3/4"	3 1/4"	3/4"	50/25	\$ 20.42
3/4" x 3/4" x 3.50	5/8" x 3/4" or 3/4"	3 1/2"	3/4"	50/28	\$ 21.96
3/4" x 3/4" x 8.50	5/8" x 3/4" or 3/4"	8 1/2"	3/4"	20/22	\$ 40.97
3/4" x 3/4" x 12.00	5/8" x 3/4" or 3/4"	12"	3/4"	20/43	\$ 83.61
1" x 1" x 2.63	1"	2 5/8"	1"	50/30	\$ 24.50
1" x 3/4" x 1.75	1"	1 3/4"	3/4"	50/27	\$ 23.82
1" x 1" x 3.00	1"	3"	1"	50/31	\$ 27.71
1" x 1" x 3.35	1"	3 3/8"	1"	50/35	\$ 31.75
1" x 1" x 3.50	1"	3 1/2"	1"	50/17	\$ 31.75
1" x 1" x 8.50	1"	8 1/2"	1"	20/41	\$ 55.45
1" x 1" x 12.00	1"	12"	1"	20/57	\$ 78.27
1 1/2" x 1 1/2" x 2.84	1 1/2"	2 3/4"	1 1/2"	25/45	\$ 67.84
2" x 2" x 3.00	2"	3"	2"	15/33	\$ 94.52

74620KIT

Meter Swivel x MNPT

Size	Meter Size	Length	MNPT Outlet	Carton PCS/WT	Price
5/8" x 1/2" x 2.38	5/8"	2 3/8"	1/2"	25/17	\$ 28.10
3/4" x 3/4" x 2.50	5/8" x 3/4" or 3/4"	2 1/2"	3/4"	25/21	\$ 31.81
3/4" x 1/2" x 2.38	5/8" x 3/4" or 3/4"	2 3/8"	1/2"	25/20	\$ 40.33
1" x 1" x 2.63	1"	2 5/8"	1"	25/29	\$ 49.01
1 1/2" x 1 1/2" x 2.75*	1 1/2"	2 3/4"	1 1/2"	4/23	\$ 255.15
2" x 2" x 3.00*	2"	3"	2"	4/29	\$ 362.16

*(Two pieces per bag w/gaskets, order in bag quantities)
Includes 2 Bushings 74620BB

74620H

Meter Swivel x MNPT with Internal Driving Hex



Size	Meter Size	Length	MNPT Outlet	Carton PCS/WT	Price
3/4" x 1 1/2"	5/8" x 3/4" or 3/4"	1 1/2"	3/4"	50/17	\$ 18.09
3/4" x 1 5/8"	5/8" x 3/4" or 3/4"	1 5/8"	3/4"	50/18	\$ 15.89
3/4" x 1 7/16"	5/8" x 3/4" or 3/4"	1 7/16"	3/4"	50/16	\$ 18.09

4620HEX

Driving Key for Internal Hex Meter Couplings



Size	Meter Size	Length	MNPT Outlet	Carton PCS/WT	Price
5/8" (74620H)	N/A	4"		1/1	\$ 10.98
13/16" (74628H)	N/A	4"		1/1	\$ 13.12

74622

Meter Swivel x MNPT less wire seal hole



Size	Meter Size	Length	MNPT Outlet	Carton PCS/WT	Price
5/8" x 1/2" x 2.38	5/8"	2 3/8"	1/2"	50/17	\$ 12.43
3/4" x 3/4" x 2.50	5/8" x 3/4" or 3/4"	2 1/2"	3/4"	50/21	\$ 14.30
1" x 1" x 2.63	1"	2 5/8"	1"	50/30	\$ 22.91

74624

Meter Swivel less wire seal hole x MNPT Smooth Barrel



Size	Meter Size	Length	MNPT Outlet	Carton PCS/WT	Price
5/8" x 1/2" x 2.38	5/8"	2 3/8"	1/2"	50/18	\$ 20.07
3/4" x 3/4" x 2.50	5/8" x 3/4" or 3/4"	2 1/2"	3/4"	50/24	\$ 23.61
3/4" x 3/4" x 1.81	5/8" x 3/4" or 3/4"	1 13/16"	3/4"	50/19	\$ 23.61
3/4" x 3/4" x 2.00	5/8" x 3/4" or 3/4"	2"	3/4"	50/21	\$ 23.61
3/4" x 3/4" x 2.25	5/8" x 3/4" or 3/4"	2 1/4"	3/4"	50/23	\$ 23.61
3/4" x 3/4" x 2.68	5/8" x 3/4" or 3/4"	2 11/16"	3/4"	50/25	\$ 23.61
1" x 1" x 2.63	1"	2 5/8"	1"	50/35	\$ 28.19
1" x 1" x 1.81	1"	1 13/16"	1"	50/28	\$ 28.19
1" x 1" x 2.00	1"	2"	1"	50/30	\$ 28.19
1" x 1" x 2.68	1"	2 11/16"	1"	50/35	\$ 28.19
1" x 1" x 2.25	1"	2 1/4"	1"	50/32	\$ 28.19
1" x 1" x 2.50	1"	2 1/2"	1"	50/34	\$ 28.19

746201

Meter Couplings with Single Check Valves



Size	Meter Size	Length	MNPT Outlet	Carton PCS/WT	Price
3/4" x 3/4" x 2.50	5/8" x 3/4" or 3/4"	2 1/2"	3/4"	50/28	\$ 40.46
1" x 1" x 2.63	1"	2 5/8"	1"	50/40	\$ 50.71

746202

Meter Couplings with Dual Check Valves



Size	Meter Size	Length	MNPT Outlet	Carton PCS/WT	Price
5/8" x 1/2" x 2.38	5/8"	2 3/8"	1/2"	50/14	\$ 37.77
3/4" x 3/4" x 2.50	5/8" x 3/4" or 3/4"	2 1/2"	3/4"	50/28	\$ 42.95
1" x 1" x 2.63	1"	2 5/8"	1"	50/42	\$ 59.27

Meter Couplings - Straight

Meter swivel nuts are less saddle, have internal straight threads per AWWA C700 and include hole for wire seal unless otherwise indicated. EPDM rubber gaskets are supplied and are standard.

(For Meter Dimensions see page 235)

3/4" METER SWIVEL FITS 5/8" X 3/4", OR 3/4" METERS

74628

Meter Swivel x MNPT Smooth Barrel



Size	Meter Size	Length	MNPT Outlet	Carton PCS/WT	Price
5/8" x 1/2" x 1.25	5/8"	1 1/4"	1/2"	50/14	\$ 20.07
5/8" x 1/2" x 1.50	5/8"	1 1/2"	1/2"	50/15	\$ 20.07
5/8" x 1/2" x 1.75	5/8"	1 3/4"	1/2"	50/15	\$ 15.67
5/8" x 1/2" x 2.00	5/8"	2	1/2"	50/18	\$ 20.07
5/8" x 1/2" x 2.17	5/8"	2 1/8"	1/2"	50/19	\$ 20.07
5/8" x 1/2" x 2.38	5/8"	2 3/8"	1/2"	50/19	\$ 20.07
3/4" x 3/4" x 1.25	5/8" x 3/4" or 3/4"	1 1/4"	3/4"	50/16	\$ 23.61
3/4" x 3/4" x 2.00	5/8" x 3/4" or 3/4"	2	3/4"	50/20	\$ 23.61
3/4" x 3/4" x 2.50	5/8" x 3/4" or 3/4"	2 1/2"	3/4"	50/23	\$ 23.61
1" x 1" x 2.00	1"	2	1"	50/30	\$ 31.78
1" x 1" x 2.62	1"	2 5/8"	1"	50/37	\$ 28.19

74628KIT

Meter Swivel x MNPT (Two pieces per bag w/gaskets, order in bag quantities) Smooth Barrel

Size	Meter Size	Length	MNPT Outlet	Carton PCS/WT	Price
5/8" x 1/2" x 1.25	5/8"	1.25	1/2"	25/15	\$ 40.11
3/4" x 3/4" x 1.25	5/8" x 3/4" or 3/4"	1.25	3/4"	25/18	\$ 47.22

74628H

Meter Swivel x MNPT w/Internal Hex Drive



Size	Meter Size	Length	MNPT Outlet	Carton PCS/WT	Price
1" x 1" x 1.50	1"	1 1/2"	1"	50/28	\$ 23.82
1" x 1" x 2.00	1"	2"	1"	50/33	\$ 23.82

74619A

MNPT x Male Meter Thread

Size	Carton PCS/WT	Price
3/4" x .62"	24/5	\$ 26.09

74619

MNPT x Male Meter Thread

Size	Carton PCS/WT	Price
5/8"	25/7	\$ 21.27
5/8" x 1/2"	25/8	\$ 21.27
3/4"	25/9	\$ 15.94
3/4" x 1" x 2.18	25/9	\$ 42.41
3/4" x 2.43	25/9	\$ 39.55
1"	25/12	\$ 21.88
1" x 1 1/4" x 2.12	25/13	\$ 39.17
1 1/2"	20/20	\$ 41.81
2"	10/19	\$ 74.88

74619F

FNPT x Male Meter Thread



Size	Carton PCS/WT	Price
3/4"	25/10	\$ 19.12
1"	25/9	\$ 21.88

74620BB

Male Meter Thread x FNPT



Size	Carton PCS/WT	Price
1 1/2" x 1 1/2"	25/25	\$ 54.61
2" x 2"	25/36	\$ 86.54

74620MM

Meter Swivel x Meter Swivel



Size	Carton PCS/WT	Price
3/4" x 3/4" x 2.20	25/25	\$ 25.80

74620TUB Copper Tube Flange

Meter Swivel x Male Pipe Thread

Size	Carton PCS/WT	Price
3/4" x 3/4" x 4.00	25/13	\$ 38.37
3/4" x 3/4" x 12.50	25/25	\$ 69.76
3/4" x 1" x 12.00	25/25	\$ 78.13
1" x 1" x 10.00	25/38	\$ 86.50

Meter Couplings - Straight

Meter swivel nuts are less saddle, have internal straight threads per AWWA C700, and include hole for wire seal unless otherwise indicated. EPDM rubber gaskets are supplied and are standard. (For Meter Dimensions see page 235)

- Insert stiffeners are required on all flexible plastic connections, see the Service Fittings section for more information.

3/4" METER SWIVEL FITS 5/8" X 3/4", OR 3/4" METERS

74636

Meter Swivel x Male Meter Thread



Size	Carton PCS/WT	Price
3/4" x 1"	25/27	\$ 44.20

74638G

Meter Swivel x G CTS



Size	Carton PCS/WT	Price
3/4" x 3/4"	50/47	\$ 30.51
3/4" x 1"	25/26	\$ 32.89
3/4" x 1 1/4"	25/43	\$ 37.30
1" x 1"	25/33	\$ 41.13
1" x 1 1/4"	25/48	\$ 64.86

74638-3G

Meter Swivel x -3G PEP



Size	Carton PCS/WT	Price
3/4" x 3/4"	25/27	\$ 36.81
3/4" x 1"	25/38	\$ 39.70
1" x 1"	25/43	\$ 60.99

74637

Meter Swivel x FNPT



Size	Carton PCS/WT	Price
3/4" x 3/4"	50/33	\$ 23.33
3/4" x 1"	50/32	\$ 26.17
1" x 1"	50/38	\$ 33.62
1" x 1 1/4"	25/34	\$ 41.11

74638Q

Meter Swivel x Q CTS



Size	Carton PCS/WT	Price
3/4" x 3/4"	50/43	\$ 30.51
3/4" x 1"	25/27	\$ 32.89
3/4" x 1 1/4"	25/43	\$ 37.30
1" x 1"	25/34	\$ 41.13
1" x 1 1/4"	25/48	\$ 64.86

74638-3Q

Meter Swivel x -3Q PEP



Size	Carton PCS/WT	Price
3/4" x 3/4"	25/27	\$ 36.81
3/4" x 1"	25/38	\$ 39.70
1" x 1"	25/43	\$ 60.99

74638

Meter Swivel x Flare

Size	Carton PCS/WT	Price
3/4" x 3/4"	50/45	\$ 27.99
1" x 1"	25/33	\$ 46.99

74638T

Meter Swivel x T CTS



Size	Carton PCS/WT	Price
3/4" x 3/4"	50/43	\$ 30.51
3/4" x 1"	25/26	\$ 32.89
3/4" x 1 1/4"	25/38	\$ 37.30
1" x 1"	25/29	\$ 41.13
1" x 1 1/4"	25/43	\$ 64.86

74638-44

Meter Swivel x -44 PVC



Size	Carton PCS/WT	Price
3/4" x 3/4"	25/24	\$ 36.81
3/4" x 1"	25/40	\$ 39.70
1" x 1"	25/42	\$ 62.00

74638-22

Meter Swivel x -22 CTS



Size	Carton PCS/WT	Price
5/8" x 1/2"	50/31	\$ 27.90
5/8" x 3/4"	50/41	\$ 28.87
3/4" x 3/4"	50/40	\$ 30.51
3/4" x 1"	25/24	\$ 32.89
3/4" x 1 1/4"	25/38	\$ 37.30
1" x 1"	25/29	\$ 41.13
1" x 1 1/4"	25/43	\$ 64.86

74638-33

Meter Swivel x -33 PEP-7



Size	Carton PCS/WT	Price
3/4" x 3/4"	25/25	\$ 36.81
3/4" x 1"	25/39	\$ 39.70
1" x 1"	25/44	\$ 60.99

74638-55

Meter Swivel x -55 IP

Size	Carton PCS/WT	Price
3/4" x 3/4"	25/23	\$ 34.52
3/4" x 1"	25/40	\$ 39.70
1" x 1"	25/44	\$ 62.00

OPTIONS

See page 7 for pricing of the following:

- For Handyloc - Replace "Q" with "H" or "-3Q" with "3H" in 3/4" & 1".
- For C903 tube - Replace "Q" with "K". On "Q" Series options only 3/4" x 1" **only**.
- For valve or fitting less flare nut add "L" to end of model number.
- CTS Anode (QA) & Flare Anode (A) - Replace "Q" with "QA" or add "A" to flare.
- Insert stiffeners are **required** on all flexible plastic connections. (See page 18 for stiffeners)

Meter Valves

Meter Couplings - 90° Angle

Meter swivel nuts are less saddle, have internal straight threads per AWWA C700, and include hole for wire seal unless otherwise indicated. EPDM rubber gaskets are supplied and are standard.

- Insert stiffeners are required on all flexible plastic connections, see the Service Fittings section for more information.

3/4" METER SWIVEL FITS 5/8" X 3/4", OR 3/4" METERS

74621

Meter Swivel x MNPT



Size	Carton PCS/WT	Price
5/8" x 1/2"	50/23	\$23.44
5/8" x 3/4"	50/33	\$23.40
3/4" x 3/4"	50/27	\$23.37
3/4" x 1/2"	50/28	\$24.03
3/4" x 1"	20/15	\$27.21
1" x 1"	50/43	\$33.40

74623

Meter Swivel x MNPT less wire seal hole



Size	Carton PCS/WT	Price
5/8" x 1/2"	50/24	\$24.55
3/4" x 3/4"	50/26	\$21.79
1" x 1"	50/45	\$30.26

74632

Meter Swivel x FNPT



Size	Carton PCS/WT	Price
5/8" x 3/4"	25/21	\$22.39
3/4" x 3/4"	25/17	\$27.60
3/4" x 1"	25/23	\$32.06
1" x 1"	25/30	\$40.60

74621KIT

Meter Swivel x MNPT (Two pieces per bag w/Rubber Gaskets) (Order in carton quantities)

Size	Carton PCS/WT	Price
5/8" x 1/2"	25/23	\$46.87
3/4" x 3/4"	25/26	\$46.74
1" x 1"	25/22	\$66.80

Meter Couplings - 45° Angle

3/4" METER SWIVEL FITS 5/8", 5/8" X 3/4", OR 3/4" METERS

Meter swivel nuts are less saddle, have internal straight threads per AWWA C700, and include hole for wire seal unless otherwise indicated. EPDM rubber gaskets are supplied and are standard.

- Insert stiffeners are required on all flexible plastic connections, see the Service Fittings section for more information.

74745S

Meter Swivel x Flare

Size	Carton PCS/WT	Price
5/8" x 3/4"	25/22	\$25.76
3/4" x 3/4"	25/26	\$31.58
1" x 1"	20/24	\$48.81

74745SP

Meter Swivel x MNPT

Size	Carton PCS/WT	Price
5/8" x 3/4"	25/20	\$20.99
3/4" x 3/4"	25/15	\$38.65
1" x 1"	20/24	\$39.14

74745SQ

Meter Swivel x Q CTS

Size	Carton PCS/WT	Price
5/8" x 3/4"	25/13	\$29.31
3/4" x 3/4"	25/23	\$33.52
1" x 1"	20/24	\$58.08

74745SF

Meter Swivel x FNPT

Size	Carton PCS/WT	Price
5/8" x 3/4"	25/15	\$21.27
3/4" x 3/4"	25/19	\$38.92
1" x 1"	20/24	\$39.41

OPTIONS

See page 7 for pricing of the following:

- For Handyloc - Replace "Q" with "H" or "-3Q" with "3H" in 3/4" & 1".
- For C903 tube - Replace "Q" with "K". On "Q" Series options only 3/4" x 1" **only**.
- For valve or fitting less flare nut add "L" to end of model number.
- CTS Anode (QA) & Flare Anode (A) - Replace "Q" with "QA" or add "A" to flare.
- Insert stiffeners are **required** on all flexible plastic connections. (See page 18 for stiffeners)

Meter Couplings - 90° Angle

Meter swivel nuts are less saddle, have internal straight threads per AWWA C700, and include hole for wire seal unless otherwise indicated. EPDM rubber gaskets are supplied and are standard.

- Insert stiffeners are required on all flexible plastic connections, see the Service Fittings section for more information.

3/4" METER SWIVEL FITS 5/8" X 3/4", OR 3/4" METERS

74783S

Meter Swivel x Flare



Size	Carton PCS/WT	Price
5/8" x 3/4"	25/28	\$ 26.87
3/4" x 3/4"	25/30	\$ 32.65
1" x 1"	25/42	\$ 49.87

74783SQ

Meter Swivel x Q CTS



Size	Carton PCS/WT	Price
5/8" x 3/4"	25/24	\$ 30.48
3/4" x 3/4"	25/27	\$ 34.67
3/4" x 1"	25/34	\$ 54.51
1" x 1"	25/35	\$ 59.13

74783S-3G

Meter Swivel x -3G PEP



Size	Carton PCS/WT	Price
3/4" x 1"	25/34	\$ 70.80

74783S-22

Meter Swivel x -22 CTS



Size	Carton PCS/WT	Price
5/8" x 3/4"	25/23	\$ 30.48
3/4" x 3/4"	25/25	\$ 34.67
3/4" x 1"	25/32	\$ 40.28
1" x 1"	25/35	\$ 54.89

74783ST

Meter Swivel x T CTS



Size	Carton PCS/WT	Price
5/8" x 3/4"	25/25	\$ 30.48
3/4" x 3/4"	25/27	\$ 34.67
3/4" x 1"	25/34	\$ 54.51
1" x 1"	25/38	\$ 54.89

74783S-3Q

Meter Swivel x -3Q PEP



Size	Carton PCS/WT	Price
3/4" x 1"	20/42	\$ 70.80

74783SG

Meter Swivel x G CTS



Size	Carton PCS/WT	Price
5/8" x 3/4"	25/25	\$ 30.48
3/4" x 3/4"	25/27	\$ 34.67
3/4" x 1"	25/34	\$ 54.51
1" x 1"	25/35	\$ 54.89

74783S-33

Meter Swivel x -33 PEP-7



Size	Carton PCS/WT	Price
3/4" x 1"	20/42	\$ 70.80

OPTIONS

See page 7 for pricing of the following:

- For Handyloc - Replace "Q" with "H" or "-3Q" with "3H" in 3/4" & 1".
- For C903 tube - Replace "Q" with "K". On "Q" Series options only 3/4" x 1" **only**.
- For valve or fitting less flare nut add "L" to end of model number.
- CTS Anode (QA) & Flare Anode (A) - Replace "Q" with "QA" or add "A" to flare.
- Insert stiffeners are **required** on all flexible plastic connections. (See page 18 for stiffeners)

Angle Valves - Plug Style

Meter swivel nuts are less saddle unless otherwise indicated, have internal straight threads per AWWA C700, and include hole for wire seal unless otherwise indicated. EPDM rubber gaskets are supplied and are standard.

- Insert stiffeners are required on all flexible plastic connections, see page 18 for stiffeners.
- Angle plug valve operating head rotates 180° open to close.
- When one size is displayed, inlet & outlet are the same size.
- All Angle Plug Valves have a locking to lock in the closed position.
- Plug valves are directional.

3/4" METER SWIVEL FITS 5/8" X 3/4", OR 3/4" METERS

74604

FNPT x Meter Swivel w/Saddle Nut



Size	Carton PCS/WT	Price
3/4"	25/32	\$ 50.84
3/4" x 5/8"	10/12	\$ 47.47
1"	20/38	\$ 77.95
1" x 5/8"	10/14	\$ 57.50
1" x 3/4"	25/36	\$ 54.28
1 1/4" x 1"	10/24	\$ 94.72

74602Q

Q CTS x Meter Swivel



Size	Carton PCS/WT	Price
3/4"	25/37	\$ 65.03
3/4" x 5/8"	10/15	\$ 61.69
1"	20/46	\$ 88.99
1" x 5/8"	10/18	\$ 68.46
1" x 3/4"	20/36	\$ 71.92

74602-3Q

-3Q PEP x Meter Swivel



Size	Carton PCS/WT	Price
3/4"	20/34	\$ 71.92
3/4" x 5/8"	10/18	\$ 68.46
1"	10/26	\$ 107.89

74602

Flare x Meter Swivel



Size	Carton PCS/WT	Price
3/4"	25/40	\$ 61.03
3/4" x 5/8"	10/16	\$ 57.50
1"	20/50	\$ 83.11
1" x 5/8"	10/19	\$ 64.32
1" x 3/4"	20/39	\$ 67.77

74602T

T CTS x Meter Swivel



Size	Carton PCS/WT	Price
3/4"	25/37	\$ 65.03
3/4" x 5/8"	10/15	\$ 61.69
1"	20/45	\$ 88.99
1" x 5/8"	10/16	\$ 68.46
1" x 3/4"	20/36	\$ 71.92
1 1/4" x 1"	10/26	\$ 124.91

74602-44

-44 PVC x Meter Swivel



Size	Carton PCS/WT	Price
3/4"	20/34	\$ 71.92
3/4" x 5/8"	10/13	\$ 68.46
1"	10/26	\$ 107.89

74602-22

-22 CTS x Meter Swivel



Size	Carton PCS/WT	Price
3/4"	25/35	\$ 65.03
3/4" x 5/8"	10/15	\$ 61.69
1"	20/43	\$ 88.99
1" x 5/8"	10/16	\$ 68.46
1" x 3/4"	20/33	\$ 71.92
1 1/4" x 1"	10/25	\$ 124.91

74602-33

-33 PEP-7 x Meter Swivel



Size	Carton PCS/WT	Price
3/4"	20/35	\$ 71.92
3/4" x 5/8"	10/17	\$ 68.46
1"	10/25	\$ 107.89

74602-55

-55 IP x Meter Swivel

Size	Carton PCS/WT	Price
3/4"	20/28	\$ 71.92
3/4" x 5/8"	10/15	\$ 68.46
1"	10/26	\$ 107.89

74602G

G CTS x Meter Swivel



Size	Carton PCS/WT	Price
3/4"	25/35	\$ 65.03
3/4" x 5/8"	10/15	\$ 61.69
1"	20/43	\$ 88.99
1" x 5/8"	10/16	\$ 68.46
1" x 3/4"	20/33	\$ 71.92

74602-3G

-3G PEP x Meter Swivel



Size	Carton PCS/WT	Price
3/4"	20/35	\$ 71.92
3/4" x 5/8"	10/17	\$ 68.46
1"	10/25	\$ 107.89

OPTIONS

- See page 7 for pricing of the following:
- For Handyloc - Replace "Q" with "H" or "-3Q" with "3H" in 3/4" & 1".
- For C903 tube - Replace "Q" with "K". On "Q" Series options only 3/4" x 1" **only**.
- For valve or fitting less flare nut add "L" to end of model number.
- CTS Anode (QA) & Flare Anode (A) - Replace "Q" with "QA" or add "A" to flare.
- Insert stiffeners are **required** on all flexible plastic connections. (See page 18 for stiffeners)

Full Port Angle Valves - Ball Style

300 PSI - LOCKWING | FOR 5/8", 5/8" x 3/4", 3/4", 1", 1 1/2" OR 2" METERS

Meter swivel nuts are less saddle unless otherwise indicated have internal straight threads per AWWA C700, and include hole for wire seal unless otherwise indicated. EPDM rubber gaskets are supplied and are standard.

- Insert stiffeners are required on all flexible plastic connections, see page 18 for stiffeners.
- Angle ball valve operating head rotates 90° open to close. (360° available, see page 7 for pricing)
- Angle meter ball valves are non-directional
- When one size is displayed - Inlet, Port Size and Meter Size are the same size (3/4" meter swivel fits 5/8" x 3/4" or 3/4" meters)
- 2" Oval flange is drilled for both 1 1/2" & 2" meters.
- All angle ball valves have a lockwing for locking in the closed position.
- Brass and stainless steel handles are available, contact factory.
- Double Lockwing available, contact factory.
- For Telescoping Meter Flange option, add \$41.15 to list price, add "E" to the model number, i.e. 74604B 2" becomes 7E4604B 2".



*Oval Flange

74604B

FNPT x Meter Swivel with Saddle or Oval Flange

Size	Carton PCS/WT	Price
3/4"	10/18	\$ 112.83
3/4" x 3/4" x 5/8"	10/17	\$ 111.35
1"	10/30	\$ 170.02
1" x 3/4" x 5/8"	10/19	\$ 116.04
1" x 3/4" x 3/4"	10/19	\$ 117.38
*1 1/2"	4/28	\$ 368.95
*2"	4/36	\$ 435.37

*Oval Flange

74602BG

G CTS x Meter Swivel or Oval Flange

Size	Carton PCS/WT	Price
3/4"	10/19	\$ 124.02
3/4" x 3/4" x 5/8"	10/20	\$ 122.65
1"	10/32	\$ 186.11
1" x 3/4" x 5/8"	10/23	\$ 139.43
1" x 3/4" x 3/4"	10/23	\$ 140.77
1 1/4" x 1" x 1"	10/49	\$ 242.71
*1 1/2"	2/15	\$ 429.37
*2"	2/19	\$ 544.97

*Oval Flange

74602B

Flare x Meter Swivel or Oval Flange

Size	Carton PCS/WT	Price
3/4"	10/20	\$ 120.58
3/4" x 3/4" x 5/8"	10/20	\$ 118.91
1"	10/35	\$ 179.95
1" x 3/4" x 5/8"	10/23	\$ 129.32
1" x 3/4" x 3/4"	10/25	\$ 130.79
*1 1/2"	2/19	\$ 410.35
*2"	2/25	\$ 523.25

*Oval Flange

74602BQ

Q CTS x Meter Swivel or Oval Flange

Size	Carton PCS/WT	Price
3/4"	10/19	\$ 124.02
3/4" x 3/4" x 5/8"	10/20	\$ 122.65
1"	10/32	\$ 186.11
1" x 3/4" x 5/8"	10/23	\$ 139.43
1" x 3/4" x 3/4"	10/23	\$ 140.77
1 1/4" x 1" x 1"	10/49	\$ 242.71
*1 1/2"	2/15	\$ 429.37
*2"	2/19	\$ 544.97

*Oval Flange

74602B-22

-22 CTS x Meter Swivel or Oval Flange

Size	Carton PCS/WT	Price
3/4"	10/19	\$124.02
3/4" x 3/4" x 5/8"	10/19	\$122.65
1"	10/32	\$ 186.11
1" x 3/4" x 5/8"	10/22	\$ 139.43
1" x 3/4" x 3/4"	10/22	\$ 140.77
1 1/4" x 3/4" x 3/4"	10/28	\$ 174.68
1 1/4" x 1" x 1"	10/38	\$ 242.71
*1 1/2"	2/16	\$ 429.37
*2"	2/21	\$ 544.97

*Oval Flange

74602BT

T CTS x Meter Swivel or Oval Flange

Size	Carton PCS/WT	Price
3/4"	10/20	\$124.02
3/4" x 3/4" x 5/8"	10/19	\$122.65
1"	10/33	\$ 186.11
1" x 3/4" x 5/8"	10/27	\$ 139.43
1" x 3/4" x 3/4"	10/22	\$ 140.77
1 1/4" x 3/4" x 3/4"	10/28	\$ 174.68
*1 1/2"	2/14	\$ 429.37
*2"	2/19	\$ 544.97

*Oval Flange

74602B-33

-33 PEP-7 x Meter Swivel

Size	Carton PCS/WT	Price
3/4"	10/22	\$ 140.77
1"	10/38	\$ 202.72
1" x 3/4" x 3/4"	10/28	\$ 153.41

74602B-3G

-3G PEP x Meter Swivel

Size	Carton PCS/WT	Price
3/4"	10/23	\$ 140.77
3/4" x 1" x 1"	10/34	\$ 171.76
1"	10/39	\$ 202.72
1" x 3/4" x 3/4"	10/28	\$ 153.41

74602B-3Q

-3Q PEP x Meter Swivel

Size	Carton PCS/WT	Price
3/4"	10/23	\$ 140.77
3/4" x 1" x 1"	10/34	\$ 171.76
1"	10/39	\$ 202.72
1" x 3/4" x 3/4"	10/28	\$ 153.41

74602B-44

-44 PVC x Meter Swivel or Oval Flange

Size	Carton PCS/WT	Price
3/4"	10/23	\$ 140.77
1"	10/38	\$ 202.72
1" x 3/4" x 3/4"	10/28	\$ 153.41
*1 1/2"	2/18	\$ 315.39
*2"	2/22	\$ 653.13

*Oval Flange

74602B-55

-55 IP x Meter Swivel or Oval Flange

Size	Carton PCS/WT	Price
1" x 3/4" x 3/4"	10/27	\$ 170.32
*1 1/2"	2/17	\$ 297.08
*2"	2/25	\$ 414.77

*Oval Flange

Confined Space Oval Flanged Ball Valves

300 PSI - LOCKWING | FOR 1 1/2" OR 2" METERS

Stainless steel meter support brackets furnished with all oval flanged meter valves. EPDM rubber gaskets are supplied and are standard. Oval meter flanges are faced and drilled per AWWA C700.

- Insert stiffeners are required on all flexible plastic connections, see page 18 for stiffeners.
- Angle ball valve operating head rotates 90° open to close. (360° available, see page 7 for pricing)
- Angle meter ball valves are non-directional
- 2" oval flanged meter valves have slotted bolt holes to accept 1 1/2" or 2" meters.
- Bolt hole diameters on 1 1/2" oval flange = .72, 2" oval flange = .81.
- All angle ball valves have a lockwing for locking in the closed position.
- 2" ball valves have 1 1/2" port.
- For Telescoping Meter Flange option, add \$41.15 to list price, add "E" to the model number, i.e. 74604B 2" becomes 7E4604B 2".



7E4704B



74602BCS

Copper Flare x Oval Flange

Size	Carton PCS/WT	Price
1 1/2"	2/16	\$ 300.65
2"	2/16	\$ 404.43



74602BCSG

G CTS x Oval Flange

Size	Carton PCS/WT	Price
1 1/2"	2/14	\$ 303.07
2"	2/17	\$ 389.06



74602BCST

T CTS x Oval Flange

Size	Carton PCS/WT	Price
1 1/2"	2/13	\$ 303.07
2"	2/16	\$ 389.06



74602BCS-22

-22 CTS x Oval Flange

Size	Carton PCS/WT	Price
1 1/2"	2/14	\$ 303.07
2"	2/17	\$ 389.06



74602BCSQ

Q CTS x Oval Flange

Size	Carton PCS/WT	Price
1 1/2"	2/14	\$ 303.07
2"	2/16	\$ 389.06

74604BCS

FNPT x Oval Flange

Size	Carton PCS/WT	Price
1 1/2"	4/26	\$ 243.62
2"	4/28	\$ 269.80

Standard Port Ball Style Angle Valves

300 PSI - LOCKWING | FOR 5/8", 5/8" x 3/4", 3/4", OR 1" METERS

Meter swivel nuts are less saddle unless otherwise indicated have internal straight threads per AWWA C700, and include hole for wire seal unless otherwise indicated. EPDM rubber gaskets are supplied and are standard. Fiber or leather gaskets sold separately.

- 3/4" meter swivel fits 5/8" x 3/4" or 3/4" meters.
- Order Meter Valves by Model Number & Valve Size
- Insert stiffeners are required on all flexible plastic connections. (see page 18 for stiffeners)
- Angle ball valve operating head rotates 90° open to close. (360° available, see page 7 for pricing)
- Angle meter ball valves are non-directional
- When 5/8" size is displayed by itself = 3/4" connection x 5/8" port x 5/8" meter.
- When 3/4" size is displayed by itself = 3/4" connection x 5/8" port x 5/8" x 3/4" or 3/4" meter.
- When 1" size is displayed by itself = 1" connection x 3/4" port x 1" meter.
- When two sizes are displayed - first size is connection and second size is meter size.

74644B

FNPT x Meter Swivel with Saddle



Size	Carton PCS/WT	Price
5/8"	20/29	\$ 58.87
3/4"	20/31	\$ 61.84
1"	10/22	\$ 124.02

74642BG

G CTS x Meter Swivel



Size	Carton PCS/WT	Price
5/8"	20/35	\$ 69.77
3/4"	20/36	\$ 72.62
1"	10/24	\$ 147.53
1" x 5/8"	20/40	\$ 90.83
1" x 3/4"	20/40	\$ 93.67
1 1/4" x 1"	10/29	\$ 187.39

74642B-3G

-3G PEP x Meter Swivel



Size	Carton PCS/WT	Price
3/4"	20/42	\$ 88.56
1"	10/29	\$ 164.35

74642B

Flare x Meter Swivel



Size	Carton PCS/WT	Price
5/8"	20/36	\$ 82.97
3/4"	20/37	\$ 78.55
1"	10/26	\$ 137.56
1" x 5/8"	20/42	\$ 98.27
1" x 3/4"	20/44	\$ 92.34

74642BQ

Q CTS x Meter Swivel



Size	Carton PCS/WT	Price
5/8"	20/35	\$ 69.77
3/4"	20/36	\$ 72.62
1"	10/24	\$ 147.53
1" x 5/8"	20/40	\$ 90.83
1" x 3/4"	20/40	\$ 93.67
1 1/4" x 1"	10/29	\$ 187.39

74642B-3Q

-3Q PEP x Meter Swivel



Size	Carton PCS/WT	Price
3/4"	20/42	\$ 88.56
1"	10/29	\$ 164.35

74642B-22

-22 CTS x Meter Swivel



Size	Carton PCS/WT	Price
5/8"	20/33	\$ 69.77
3/4"	20/35	\$ 72.62
1"	10/23	\$ 147.53
1" x 5/8"	20/38	\$ 90.83
1" x 3/4"	20/39	\$ 93.67
1 1/4" x 1"	10/29	\$ 187.39

74642BT

T CTS x Meter Swivel



Size	Carton PCS/WT	Price
5/8"	20/34	\$ 69.77
3/4"	20/35	\$ 72.62
1"	10/17	\$ 147.53
1" x 5/8"	20/39	\$ 90.83
1" x 3/4"	20/41	\$ 93.67
1 1/4" x 1"	10/28	\$ 187.39

74642B-44

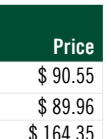
-44 PVC x Meter Swivel



Size	Carton PCS/WT	Price
5/8"	20/42	\$ 89.45
3/4"	20/39	\$ 88.56
1"	10/29	\$ 164.35

74642B-55

-55 IP x Meter Swivel



Size	Carton PCS/WT	Price
5/8"	20/42	\$ 90.55
3/4"	20/40	\$ 89.96
1"	10/29	\$ 164.35

74642B-33

-33 PEP-7 x Meter Swivel



Size	Carton PCS/WT	Price
5/8"	20/39	\$ 89.45
3/4"	20/42	\$ 88.56
1"	10/29	\$ 164.35

Oval Meter Flange

1 1/2" & 2" METERS

EPDM rubber gaskets are supplied and are standard. Oval meter flanges are faced and drilled per AWWA C700. All 7610 model oval flanges in 2" have bolt holes for 2" meter only unless otherwise indicated.

- Insert stiffeners are required on all flexible plastic connections, see page 18 for stiffeners.
- Stainless steel meter support brackets not included.
- Bolt hole diameters on 1 1/2" oval flange = .72, 2" oval flange = .81.

7610F

Meter Flange x FNPT



Size	Carton PCS/WT	Price
1 1/2"	10/24	\$ 70.82
1 1/2" x .81"*	10/24	\$ 70.82
1 1/2" x 1"	10/18	\$ 78.70
2"	10/26	\$ 92.48

*Denotes hole diameter

7610FKIT

Meter Flange Kit, Includes 2 each of flanges, gaskets, 4 bolts & 4 nuts



Size	Carton PCS/WT	Price
1 1/2"	1/6	\$ 155.11
2"	1/7	\$ 212.95

7610FD

Meter Flange x FNPT = Slotted for 1 1/2" or 2" Meters



Size	Carton PCS/WT	Price
2"	10/25	\$ 92.48

7610-22

Meter Flange x -22 CTS



Size	Carton PCS/WT	Price
1 1/2"	5/21	\$ 127.46
2"	5/25	\$ 156.30

7610G

Meter Flange x G CTS

Size	Carton PCS/WT	Price
1 1/2"	5/20	\$ 127.46
2"	5/23	\$ 156.30

7610Q

Meter Flange x Q CTS -

Size	Carton PCS/WT	Price
1 1/2"	5/20	\$ 127.46
2"	5/23	\$ 156.30

7610T

Meter Flange x T CTS

Size	Carton PCS/WT	Price
1 1/2"	5/19	\$ 127.46
2"	5/24	\$ 156.30

7610-44

Meter Flange x -44 PVC



Size	Carton PCS/WT	Price
1 1/2"	5/21	\$133.59
2"	5/30	\$190.83

7610-55

Meter Flange x -55 IP



Size	Carton PCS/WT	Price
1 1/2"	5/21	\$ 131.27
1 1/2" x .81"*	5/21	\$ 131.27
2"	5/29	\$ 169.83

*Denotes hole diameter

7610A-55

Collapsible Meter Flange Coupling x MNPT



Size	Carton PCS/WT	Price
1 1/2"	1/6	\$ 184.28
2"	1/11	\$ 221.02

7610AKIT-55

Collapsible Meter Flange Coupling x MNPT (includes 7610M)

Size	Carton PCS/WT	Price
1 1/2"	1/8	\$ 260.79
2"	1/11	\$ 323.07

7610M

Meter Flange x MNPT



Size	Carton PCS/WT	Price
1 1/2"	8/19	\$ 76.52
2" x 1 15/16"*	8/23	\$ 92.93
2" x 2 1/8"*	8/24	\$ 102.05

*Denotes width

7610MD

Meter Flange x MNPT Slotted for 1 1/2" or 2" meters

Size	Carton PCS/WT	Price
2" x 1 15/16"*	8/22	\$ 92.93
2" x 2 1/8"*	8/23	\$ 102.05

*Denotes width

7610S

Meter Flange x Solder



Size	Carton PCS/WT	Price
1 1/2"	8/19	\$ 70.82
2"	8/22	\$ 92.48

7610SD

Meter Flange x Solder Slotted for 1 1/2" or 2" Meters

Size	Carton PCS/WT	Price
2"	8/21	\$ 92.48

OPTIONS (see page 7 for pricing of the following)

- "Q" compression nuts are available with anode connection; add "A" to end of model number, i.e. (7610Q=7610QA).
- Dual bolt holes are available; contact factory.

Round Flanges - 3", 4", & 6" Meters

- EPDM rubber gaskets are supplied and are standard.
- Oval meter flanges are faced and drilled per AWWA C700.



610BK

Bolt Kit

Size	Carton PCS/WT	Price
3 (4) 5/8" Bolts	1/2	\$ 16.27
4 (8) 5/8" Bolts	1/4	\$ 31.72
6 (8) 5/8" Bolts	1/6	\$ 56.47

610RG

Gasket - Round Flange

Size	Carton PCS/WT	Price
3	10/3	\$ 29.33
4	10/5	\$ 43.64
6	10/6	\$ 86.57

7610RK

Flange Kit (2 Flanges, Gaskets, Bolts)

Size	Carton PCS/WT	Price
3	1/22	\$ 396.08
4	1/35	\$ 632.83
6	1/51	\$ 1,321.37

7610R

Flange - Round Brass



Size	Carton PCS/WT	Price
3	4/37	\$ 185.21
4	4/54	\$ 290.74
6	2/41	\$ 609.42

7611-44

Meter Coupling -44 PVC x MNPT w/Gasket for FNPT Meters

Size	Carton PCS/WT	Price
2"	10/36	\$ 147.25

7611-55

Meter Coupling -55 IP x MNPT w/Gasket for FNPT Meters

Size	Carton PCS/WT	Price
2"	10/35	\$ 147.25



611GSKT

Round Rubber Gasket

Size	Carton PCS/WT	Price
2"	10/1	\$ 21.67

Meter Test Tee

Test 1 1/2" and 2" meters while in line

- For new installations or for retrofitting existing installations
- Completely assembled



720-HNN

Tee Oval Flange x MNPT x MNPT

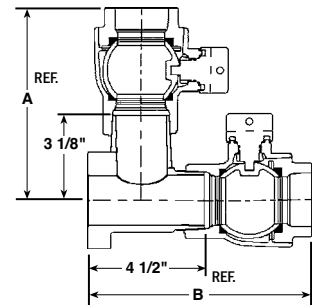
Size	Carton PCS/WT	Price
2"		\$ 229.91

720-HT

Tee Assembly with 2 76101 Ball Valves

Size	Carton PCS/WT	Price
2"		\$ 949.64

- Valves available with or without lockwings.
- 6120B handles are optional.
- Other end connections available, contact factory.



SIZE	A	B
1 1/2"	7 5/16"	8 5/8"
2"	7 13/16"	9 1/16"

Straight Valves - Ball Style

300 PSI | FOR 5/8", 5/8" x 3/4", 3/4", 1", 1 1/2", OR 2" METERS

Meter swivel nuts are less saddle, have internal straight threads per AWWA C700, and include hole for wire seal unless otherwise indicated. EPDM rubber gaskets are supplied and are standard.

- Order Meter Valves by Model Number & Valve Size.
- Insert stiffeners are required on all flexible plastic connections.
- Straight ball valve operating head rotates 90° open to close. (360° available, see page 7 for pricing)
- When size is displayed by itself = Connection size x Port size x Meter size are all the same.
- 3/4" Meter Swivel fits 5/8" x 3/4" or 3/4" meters.
- When multiple sizes appear = Connection size x Port size x Meter size - Lay length.
- Bolt hole diameters on 1 1/2" oval flange = .72, 2" oval flange = .81.
- 2" oval flanged meter valves have slotted bolt holes to accept 1 1/2" or 2" meters.
- For Telescoping Meter Flange option, add \$41.15 to list price, add "E" to the model number, i.e. 74604B 2" becomes 7E4604B 2".

76100M

Flare x Meter Swivel / Oval Flange

Size	Carton PCS/WT	Price
3/4"	10/27	\$ 104.51
3/4" x 5/8" x 5/8"	20/34	72.90
3/4" x 5/8" x 3/4"	20/39	65.41
1"	10/35	157.12
1" x 3/4" x 3/4"	10/30	115.44
1" x 3/4" x 1"	10/35	\$ 127.44
1 1/4" x 1" x 1"	10/48	\$ 193.54
1 1/2"	2/22	\$ 327.80
2"	2/29	\$ 528.45

76100M-22

-22 CTS x Meter Swivel / Oval Flange

Size	Carton PCS/WT	Price
3/4"	10/19	\$ 109.22
3/4" x 5/8" x 5/8"	20/31	\$ 76.61
3/4" x 5/8" x 3/4"	20/33	\$ 70.14
1"	10/31	\$ 163.11
1" x 3/4" x 3/4"	10/22	\$ 118.34
1" x 3/4" x 1"	10/30	\$ 132.06
1 1/4" x 1" x 1"	8/32	\$ 195.22
1 1/2"	2/21	\$ 294.10
2"	2/24	\$ 500.77

76100MG

G CTS x Meter Swivel / Oval Flange

Size	Carton PCS/WT	Price
3/4"	10/19	\$ 109.22
3/4" x 5/8" x 5/8"	20/31	\$ 76.61
3/4" x 5/8" x 3/4"	20/33	\$ 70.14
1"	10/31	\$ 163.11
1" x 3/4" x 3/4"	10/22	\$ 118.34
1" x 3/4" x 1"	10/30	\$ 132.06
1 1/4" x 1" x 1"	8/32	\$ 195.22
1 1/2"	2/21	\$ 293.90
2"	2/24	\$ 500.77

OPTIONS

See page 7 for pricing of the following:

- For Handyloc - Replace "Q" with "H" or "-3Q" with "3H" in 3/4" & 1".
- For C903 tube - Replace "Q" with "K". On "Q" Series options only 3/4" x 1" **only**.
- For valve or fitting less flare nut add "L" to end of model number.
- CTS Anode (QA) & Flare Anode (A) - Replace "Q" with "QA" or add "A" to flare.
- Insert stiffeners are **required** on all flexible plastic connections. (See page 18 for stiffeners)

76100MQ

Q CTS x Meter Swivel / Oval Flange

Size	Carton PCS/WT	Price
3/4"	10/20	\$ 109.22
3/4" x 5/8" x 5/8"	20/38	\$ 76.61
3/4" x 5/8" x 3/4"	20/33	\$ 70.14
1"	10/32	\$ 163.11
1" x 3/4" x 3/4"	10/22	\$ 118.34
1" x 3/4" x 1"	10/30	\$ 132.06
1 1/4" x 1" x 1"	8/33	\$ 195.22
1 1/2"	2/16	\$ 293.90
2"	2/21	\$ 500.77

76100MT

T CTS x Meter Swivel / Oval Flange

Size	Carton PCS/WT	Price
3/4"	10/19	\$ 109.22
3/4" x 5/8" x 5/8"	20/32	\$ 76.61
3/4" x 5/8" x 3/4"	20/32	\$ 70.14
1"	10/40	\$ 163.11
1" x 3/4" x 3/4"	10/21	\$ 118.34
1" x 3/4" x 1"	10/30	\$ 132.06
1 1/4" x 1" x 1"	8/34	\$ 195.22
1 1/2"	2/15	\$ 294.10
2"	2/29	\$ 500.77

76100M-33

-33 PEP-7 x Meter Swivel / Oval Flange

Size	Carton PCS/WT	Price
3/4"	10/22	\$ 118.34
1"	8/33	\$ 178.37
1 1/2"	2/21	\$ 340.86
2"	2/27	\$ 539.59

76100M-3Q

-3Q PEP x Meter Swivel

Size	Carton PCS/WT	Price
3/4"	10/22	\$ 118.34
1"	8/28	\$ 178.37

76100M-3G

-3Q PEP x Meter Swivel

Size	Carton PCS/WT	Price
3/4"	10/23	\$ 118.34
1"	8/31	\$ 178.37

76100M-44

-44 PVC x Meter Swivel / Oval Flange

Size	Carton PCS/WT	Price
3/4"	10/22	\$ 118.41
1"	8/29	\$ 178.37
1 1/2"	2/16	\$ 345.30
2"	2/27	\$ 528.45

76100M-55

-55 IP x Meter Swivel / Oval Flange

Size	Carton PCS/WT	Price
1"	10/38	\$ 205.23
1 1/2"	2/15	\$ 330.14
2"	2/26	\$ 514.60



76101M

FNPT x Meter Swivel / Oval Flange

Size	Carton PCS/WT	Price
3/4"	10/16	\$ 96.80
3/4" x 5/8" x 5/8"	20/27	\$ 56.03
3/4" x 5/8" x 3/4"	20/28	\$ 57.65
1"	10/27	\$ 146.51
1" x 3/4" x 3/4"	10/16	\$ 101.57
1 1/2"	4/27	\$ 277.51
2"	2/19	\$ 444.87

76107M

MNPT x Meter Swivel / Oval Flange

Size	Carton PCS/WT	Price
1 1/2"	4/27	\$ 294.82
2"	2/21	\$ 479.35

Straight Valves - Ball Style

300 PSI | FOR 5/8", 5/8" x 3/4", 3/4", 1", 1 1/2", OR 2" METERS

Meter swivel nuts are less saddle, have internal straight threads per AWWA C700, and include hole for wire seal unless otherwise indicated. EPDM rubber gaskets are supplied and are standard.

- Order Meter Valves by Model Number & Valve Size.
- Insert stiffeners are required on all flexible plastic connections. (see page 18)
- Straight ball valve operating head rotates 90° open to close. (360° available, see page 7 for pricing)
- When size is displayed by itself = Connection size x Port size x Meter size are all the same.
- 3/4" Meter Swivel fits 5/8" x 3/4" or 3/4" meters.
- When multiple sizes appear = Connection size x Port size x Meter size - Lay length.
- Bolt hole diameters on 1 1/2" oval flange = .72, 2" oval flange.
- 2" oval flanged meter valves have slotted bolt holes to accept 1 1/2" or 2" meters.
- For Telescoping Meter Flange option, add \$41.15 to list price, add "E" to the model number, i.e. 74604B 2" becomes 7E4604B 2".

76100MW

Flare x Meter Swivel / Oval Flange



Size	Carton PCS/WT	Price
3/4"	10/17	\$ 107.94
3/4" x 5/8" x 5/8"	20/35	\$ 76.38
3/4" x 5/8" x 3/4"	20/36	\$ 68.87
3/4" x 5/8" x 3/4" x 3.91	20/38	\$ 68.87
3/4" x 3/4" x 5/8"	10/21	\$ 105.25
1"	10/36	\$ 160.58
1" x 3/4" x 5/8"	10/24	\$ 122.88
1" x 3/4" x 3/4"	10/25	\$ 118.89
1" x 3/4" x 1"	10/27	\$ 130.87
*1 1/2"	2/18	\$ 331.57
*2"	2/30	\$ 532.23

*With Oval Flange

76100MWG

G CTS x Meter Swivel / Oval Flange



Size	Carton PCS/WT	Price
3/4"	10/20	\$ 112.70
3/4" x 5/8" x 5/8"	20/33	\$ 71.94
3/4" x 5/8" x 3/4"	10/36	\$ 73.64
3/4" x 5/8" x 3/4" x 3.56	20/36	\$ 73.64
3/4" x 5/8" x 3/4" x 3.75	20/40	\$ 73.64
3/4" x 5/8" x 3/4" x 3.88	20/36	\$ 73.64
3/4" x 3/4" x 5/8"	10/21	\$ 109.14
1"	10/33	\$ 166.54
1" x 5/8" x 3/4"	20/44	\$ 94.98
1" x 3/4" x 5/8"	10/22	\$ 127.26
1" x 3/4" x 3/4"	10/23	\$ 121.80
1" x 3/4" x 1"	10/24	\$ 135.50
*1 1/2"	2/15	\$ 297.80
*2"	2/23	\$ 504.53

*With Oval Flange

76100MWT

T CTS x Meter Swivel / Oval Flange



Size	Carton PCS/WT	Price
3/4"	10/20	\$ 112.70
3/4" x 5/8" x 5/8"	20/33	\$ 71.94
3/4" x 5/8" x 3/4"	20/34	\$ 73.64
3/4" x 5/8" x 3/4" x 3.56	20/36	\$ 73.64
3/4" x 5/8" x 3/4" x 3.75	20/36	\$ 73.64
3/4" x 5/8" x 3/4" x 3.88	20/36	\$ 73.64
3/4" x 3/4" x 5/8"	10/21	\$ 109.14
1"	10/32	\$ 166.54
1" x 5/8" x 3/4"	20/38	\$ 94.98
1" x 3/4" x 5/8"	10/23	\$ 127.26
1" x 3/4" x 3/4"	10/21	\$ 121.80
1" x 3/4" x 1"	10/24	\$ 135.50
*1 1/2"	2/16	\$ 297.80
*2"	2/23	\$ 504.53

*With Oval Flange

76100MW-22

-22 CTS x Meter Swivel / Oval Flange



Size	Carton PCS/WT	Price
3/4"	10/20	\$ 112.70
3/4" x 5/8" x 5/8"	20/32	\$ 71.94
3/4" x 5/8" x 3/4"	20/34	\$ 73.64
3/4" x 5/8" x 3/4" x 3.75	20/37	\$ 73.64
3/4" x 5/8" x 3/4" x 3.88	20/36	\$ 73.64
3/4" x 3/4" x 5/8"	10/19	\$ 109.14
1"	10/33	\$ 166.54
1" x 5/8" x 3/4"	20/40	\$ 94.98
1" x 3/4" x 5/8"	10/21	\$ 127.26
1" x 3/4" x 3/4"	10/21	\$ 121.80
1" x 3/4" x 1"	10/23	\$ 135.50
1 1/4" x 1" x 1"	10/35	\$ 181.86
*1 1/2"	2/17	\$ 297.80
*2"	2/21	\$ 504.53

*With Oval Flange

76100MWQ

Q CTS x Meter Swivel / Oval Flange



Size	Carton PCS/WT	Price
3/4"	10/20	\$ 112.70
3/4" x 5/8" x 5/8"	20/33	\$ 71.94
3/4" x 5/8" x 3/4"	20/34	\$ 73.64
3/4" x 5/8" x 3/4" x 3.56	20/34	\$ 73.64
3/4" x 5/8" x 3/4" x 3.75	20/37	\$ 73.64
3/4" x 5/8" x 3/4" x 3.88	20/37	\$ 73.64
3/4" x 3/4" x 5/8"	10/19	\$ 109.14
1"	10/32	\$ 166.54
1" x 5/8" x 3/4"	20/42	\$ 94.98
1" x 3/4" x 5/8"	10/23	\$ 127.26
1" x 3/4" x 3/4"	10/23	\$ 121.80
1" x 3/4" x 1"	10/24	\$ 135.50
*1 1/2"	2/16	\$ 297.80
*2"	2/23	\$ 504.53

*With Oval Flange

76100MW-33

-33 PEP-7 x Meter Swivel / Oval Flange



Size	Carton PCS/WT	Price
3/4"	10/23	\$ 121.80
3/4" x 5/8" x 3/4"	20/41	79.31
3/4" x 3/4" x 5/8"	10/23	\$ 127.26
1"	10/36	\$ 181.59
1" x 3/4" x 3/4"	10/25	\$ 104.75
*1 1/2"	2/17	\$ 344.61
*2"	2/27	\$ 543.38

*With Oval Flange

76100MW-3Q

-3Q PEP x Meter Swivel



Size	Carton PCS/WT	Price
3/4"	10/22	\$ 121.80
3/4" x 5/8" x 3/4"	20/43	\$ 79.31
3/4" x 3/4" x 5/8"	10/22	\$ 127.26
1" x 3/4" x 3/4"	10/25	\$ 134.08
1" x 3/4" x 1"	10/27	\$ 144.80

Straight Valves - Ball Style

300 PSI | FOR 5/8", 5/8" x 3/4", 3/4", 1", 1 1/2", OR 2" METERS

Meter swivel nuts are less saddle, have internal straight threads per AWWA C700, and include hole for wire seal unless otherwise indicated. EPDM rubber gaskets are supplied and are standard.

- Order Meter Valves by Model Number & Valve Size.
- Insert stiffeners are required on all flexible plastic connections. (see page 18 for stiffeners)
- Straight ball valve operating head rotates 90° open to close. (360° available, see page 7 for pricing)
- When size is displayed by itself = Connection size x Port size x Meter size are all the same.
- 3/4" Meter Swivel fits 5/8" x 3/4" or 3/4" meters.
- When multiple sizes appear = Connection size x Port size x Meter size - Lay length.
- Bolt hole diameters on 1 1/2" oval flange = .72, 2" oval flange = .81.
- 2" oval flanged meter valves have slotted bolt holes to accept 1 1/2" or 2" meters.
- For Telescoping Meter Flange option, add \$41.15 to list price, add "E" to the model number, i.e. 74604B 2" becomes 7E4604B 2".



76100MW-3G

-3G PEP x Meter Swivel



Size	Carton PCS/WT	Price
3/4"	10/21	\$ 121.80
3/4" x 5/8" x 3/4"	20/42	\$ 79.31
3/4" x 3/4" x 5/8"	10/30	\$ 127.26
1" x 3/4" x 3/4"	10/23	\$ 134.08
1" x 3/4" x 1"	10/24	\$ 144.80

76100MW-44

-44 PVC x Meter Swivel / Oval Flange



Size	Carton PCS/WT	Price
3/4"	10/21	\$ 121.86
3/4" x 5/8" x 3/4"	20/42	\$ 79.31
3/4" x 3/4" x 5/8"	10/30	\$ 127.26
1"	8/29	\$ 181.59
*1 1/2"	2/16	\$ 348.24
*2"	2/27	\$ 532.23

*With Oval Flange

76100MW-55

-55 IP x Meter Swivel / Oval Flange

Size	Carton PCS/WT	Price
3/4"	10/21	\$ 127.09
3/4" x 5/8" x 3/4"	20/39	\$ 79.31
*1 1/2"	2/16	\$ 333.05
*2"	2/27	\$ 517.05

*With Oval Flange

76101MW

FNPT x Meter Swivel / Oval Flange



Size	Carton PCS/WT	Price
1/2" x 5/8" x 5/8"	20/27	\$ 59.45
3/4"	10/17	\$ 100.26
3/4" x 5/8" x 5/8"	20/26	\$ 60.60
3/4" x 5/8" x 3/4"	20/28	\$ 61.08
3/4" x 5/8" x 3/4" x 3.12	20/29	\$ 61.08
3/4" x 5/8" x 3/4" x 3.75	20/36	\$ 82.73
3/4" x 5/8" x 3/4" x 4.00	20/33	\$ 82.73
3/4" x 5/8" x 3/4" x 4.42	20/27	\$ 82.73
3/4" x 3/4" x 5/8"	10/17	\$ 98.84
3/4" x 3.75	10/17	\$ 100.26
1"	10/29	\$ 149.93
1" x 3/4" x 5/8"	10/17	\$ 101.45
1" x 3/4" x 3/4"	10/17	\$ 104.99
1" x 3/4" x 1"	10/19	\$ 109.33
1 1/4" x 1" x 1"	10/30	\$ 197.34
*1 1/2"	4/26	\$ 281.33
*2"	2/20	\$ 448.64
*2" x 1 1/2" x 1 1/2"		\$ 301.20

*With Oval Flange

76107MW

MNPT x Meter Swivel / Oval Flange



Size	Carton PCS/WT	Price
3/4"	10/17	\$ 101.60
3/4" x 5/8" x 5/8"	20/26	\$ 63.59
3/4" x 5/8" x 3/4"	20/27	\$ 64.79
1"	10/29	\$ 146.93
*1 1/2"	2/14	\$ 297.83
*2"	2/22	\$ 481.94

*With Oval Flange

Oval Flanged - 1/4 Bends

Stainless steel meter support brackets furnished with all oval flanged meter valves. Oval meter flanges are faced and drilled per AWWA C700. EPDM rubber gaskets are supplied and are standard.

- Insert stiffeners are required on all flexible plastic connections, see page 18 for stiffeners.
- Bolt hole diameters on 1 1/2" oval flange = .72, 2" oval flange = .81.
- 2" oval flanged meter valves have slotted bolt holes to accept 1 1/2" or 2" meters.



74783FF

- FNPT x Oval Flange

Size	Carton PCS/WT	Price
1 1/2"	4/14	\$ 129.86
2"	4/20	\$ 191.71

74783F-22

-22 CTS x Oval Flange

Size	Carton PCS/WT	Price
1 1/2"	4/18	\$ 170.35
2"	4/25	\$ 230.11

74783FT

T CTS x Oval Flange

Size	Carton PCS/WT	Price
1 1/2"	4/17	\$ 170.39
2"	4/26	\$ 230.11

74783F

Flare x Oval Flange

Size	Carton PCS/WT	Price
2"	1/10	\$ 311.64

74783FQ

Q CTS x Oval Flange

Size	Carton PCS/WT	Price
1 1/2"	4/16	\$ 170.39
2"	4/23	\$ 230.11

74783F-44

-44 PVC x Oval Flange

Size	Carton PCS/WT	Price
2"	1/8	\$ 232.38

OPTIONS

See page 7 for pricing of the following:

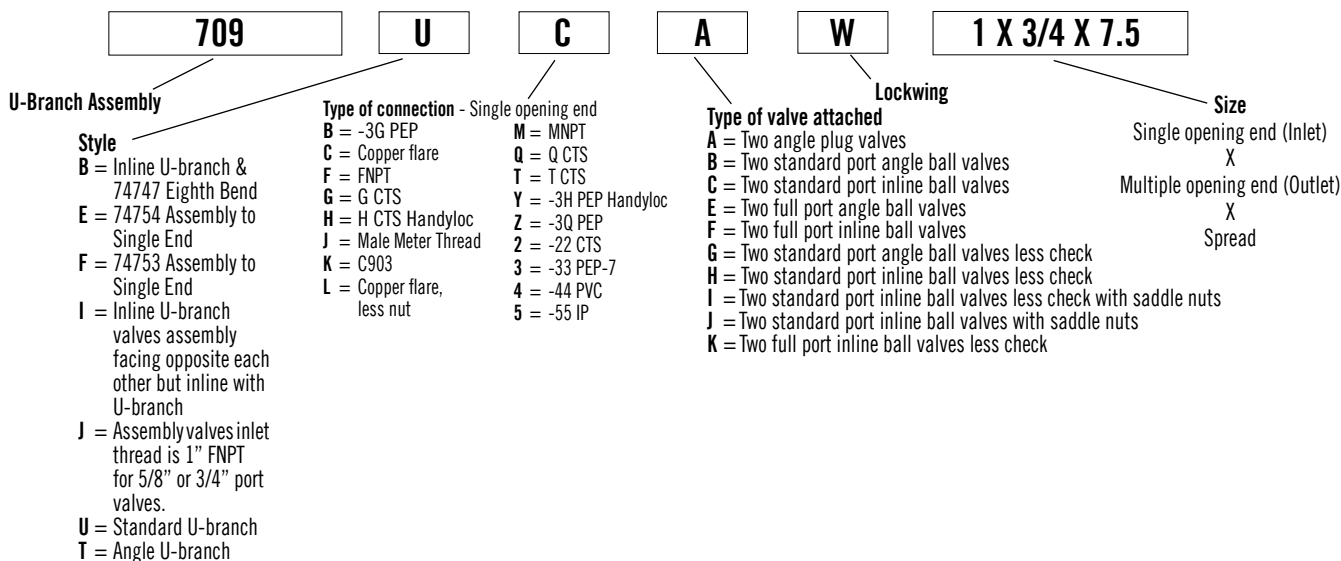
- Product available marked for Reclaimed Water, denote at end of model number; "RWP" (pinned stamped) i.e. (74783FRW).
- Flared ends are available less flare nut; add "L" to end of model number, i.e. (74783F = 74783FL).
- Flare nuts available with anode connection; add "A" to end of model number, i.e. (74783F = 74783FA).
- "Q" compression nuts are available with anode connection; add "A" to end of model number, i.e. (74783FQ = 74783FQA).

U-Branch & Assemblies with Valves

Meter swivel nuts include saddle, have internal straight threads per AWWA C700, and include hole for wire seal unless otherwise indicated. EPDM rubber gaskets are supplied and are standard.

- Insert stiffeners are required on all flexible plastic connections, see page 18 for stiffeners.
- Angle ball valves operating head rotates 90° open to close unless otherwise indicated.
- Angle plug valve operating head rotates 180° open to close.
- U-branch assemblies with yoke valves can be found in Iron Yoke session. i.e. (709UFCW 1x02x7.5)

To order U-Branch Assemblies: Model No. 709UCAW 1 x 3/4 x 7.5 means:



Angle U-Branches with Valves

709TFBW

FNPT - Standard Port Angle Ball Valves

Size	Carton PCS/WT	Price
1" x 3/4" x 6.5	10/51	\$ 213.98

709T2AW

CTS - Angle Plug Valves

Size	Carton PCS/WT	Price
1" x 3/4" x 6.5	10/49	\$ 211.81

709TFEW

FNPT - Full Port Angle Ball Valves

Size	Carton PCS/WT	Price
1" x 3/4" x 6.5	10/56	\$ 302.59

709TTEW

T CTS - Full Port Angle Ball Valves

Size	Carton PCS/WT	Price
1" x 3/4" x 6.5	5/31	\$ 316.70

709T2BW

-22 CTS - Standard Port Angle Ball Valves

Size	Carton PCS/WT	Price
1" x 5/8" x 6.5	10/58	\$ 228.30
1" x 3/4" x 6.5	10/56	\$ 226.76

U-Branch & Assemblies with Valves

Meter swivel nuts have internal straight threads per AWWA C700, and include hole for wire seal unless otherwise indicated. EPDM rubber gaskets are supplied and are standard.

709UCAW

Flare - Angle Plug Valves

Size	Carton PCS/WT	Price
1" x 3/4" x 7.5	10/44	\$ 205.23

709JFCW

FNPT - Standard Port Inline Ball Valves less saddle on swivel nut

Size	Carton PCS/WT	Price
1" x 3/4" x 6.5	10/48	\$ 199.07
1" x 3/4" x 7.5	10/48	\$ 186.35

709UQAW

Q CTS - Angle Plug Valves

Size	Carton PCS/WT	Price
1" x 3/4" x 7.5	10/46	\$ 207.58

709UCBW

Flare - Standard Port Angle Ball Valves

Size	Carton PCS/WT	Price
1" x 5/8" x 7.5	10/54	\$ 221.64
1" x 3/4" x 7.5	10/51	\$ 214.21

709UFFW

FNPT - Full Port Inline Ball Valves less saddle on swivel nut

Size	Carton PCS/WT	Price
1" x 3/4" x 7.5	10/55	\$ 277.84

709UQBW

Q CTS - Standard Port Angle Ball Valves

Size	Carton PCS/WT	Price
1 1/2" x 3/4" x 7.5	5/29	\$ 277.95

709UCEW

Flare - Full Port Angle Ball Valves



Size	Carton PCS/WT	Price
1" x 3/4" x 7.5	5/37	\$ 310.15

709UFJW

FNPT - Standard Port Inline Ball Valves

Size	Carton PCS/WT	Price
1" x 3/4" x 6.5	10/50	\$ 199.07

709UQCW

Q CTS - Standard Port Inline Ball Valves

Size	Carton PCS/WT	Price
1" x 3/4" x 7.5	10/53	\$ 204.94

709UFAW

FNPT - Angle Plug Valves

Size	Carton PCS/WT	Price
1" x 3/4" x 7.5	10/45	\$ 198.12
1" x 3/4" x 14	5/28	\$ 256.40

709UFF

FNPT - Full Port Inline Ball Valve less lockwing / saddle on swivel nut

Size	Carton PCS/WT	Price
1" x 3/4" x 7.5	10/58	\$ 270.96

709UQEW

Q CTS - Full Port Angle Ball Valves

Size	Carton PCS/WT	Price
1" x 3/4" x 7.5	10/58	\$ 306.12
1" x 1" x 7.5 x 7.00	5/41	\$ 441.96
1" x 3/4" x 14	5/34	\$ 392.05
1" x 3/4" x 7.5 x 701	5/35	\$ 386.76

709UFBW

FNPT - Standard Port Angle Ball Valves

Size	Carton PCS/WT	Price
1" x 3/4" x 6.5	10/51	\$ 197.53
1" x 3/4" x 7.5	10/50	\$ 203.79

709UMGW

MNPT - Standard Port Angle Ball Valves less check

Size	Carton PCS/WT	Price
1" x 3/4" x 7.5	10/49	\$ 215.31

709UQFW

Q CTS - Full Port Inline Ball Valves

Size	Carton PCS/WT	Price
1" x 3/4" x 7.5	10/60	\$ 280.98

U-Branches & Assemblies with Valves

Meter swivel nuts have internal straight threads per AWWA C700, and include hole for wire seal unless otherwise indicated. EPDM rubber gaskets are supplied and are standard.

709UTAW

CTS - Angle Plug Valves

Size	Carton PCS/WT	Price
1" x 3/4" x 7.5	10/48	\$ 207.58

709U2AW

-22 CTS - Angle Plug Valves

Size	Carton PCS/WT	Price
1" x 3/4" x 6.5	10/45	\$ 207.19
1" x 3/4" x 7.5	10/46	\$ 182.52
1" x 3/4" x 14	5/28	\$ 267.63
1" x 1" x 7.5	5/30	\$ 233.40
1 1/2" x 3/4" x 7.5	5/25	\$ 253.99

709U2EW

-22 CTS - Full Port Angle Ball Valves

Size	Carton PCS/WT	Price
1" x 3/4" x 6.5	10/55	\$ 293.00
1" x 3/4" x 7.5	10/52	\$ 299.28
1" x 3/4" x 14	5/33	\$ 354.03
1 1/2" x 3/4" x 7.5	5/29	\$ 410.18
1 1/2" x 1" x 9	5/48	\$ 532.31

709UTBW

T CTS - Standard Port Angle Ball Valves

Size	Carton PCS/WT	Price
1" x 3/4" x 6.5	10/56	\$ 216.65
1" x 3/4" x 7.5	10/55	\$ 222.94
1 1/2" x 3/4" x 7.5	5/28	\$ 277.93

709U2BW

-22 CTS - Standard Port Angle Ball Valves

Size	Carton PCS/WT	Price
1" x 5/8" x 7.5	10/52	\$ 224.06
1" x 3/4" x 6.5	10/55	\$ 216.65
1" x 3/4" x 7.5	10/49	\$ 222.94
1" x 3/4" x 14	5/31	\$ 264.49
1 1/2" x 3/4" x 7.5	5/29	\$ 277.93

709U2FWF

-22 CTS - Full Port Inline Ball Valves (FNPT Outlet)

Size	Carton PCS/WT	Price
1" x 3/4" x 7.5	10/49	\$ 248.75

709UTCW

CTS - Standard Port Inline Ball Valves

Size	Carton PCS/WT	Price
1" x 3/4" x 7.5	10/52	\$ 204.94

709U2C

-22 CTS - Standard Port Inline Ball Valve less locking

Size	Carton PCS/WT	Price
1" x 3/4" x 6.5	10/53	\$ 195.07

709U2HW

-22 CTS - Standard Port Inline Ball Valve less check

Size	Carton PCS/WT	Price
1" x 3/4" x 6.5	10/53	\$ 200.61
1" x 3/4" x 7.5	10/51	\$ 205.96
1 1/2" x 3/4" x 7.5	5/30	\$ 259.39

709UTEW

T CTS - Full Port Angle Ball Valves

Size	Carton PCS/WT	Price
1" x 3/4" x 7.5	5/28	\$ 306.12
1" x 1" x 18	5/54	\$ 815.06

709U2CW

-22 CTS - Standard Port Inline Ball Valves

Size	Carton PCS/WT	Price
1" x 3/4" x 6.5	10/53	\$ 196.29
1" x 3/4" x 7.5	10/48	\$ 204.94
1 1/2" x 3/4" x 7.5	5/27	\$ 279.86

709U2IW

-22 CTS - Reduced Port Inline Ball Valve less check

Size	Carton PCS/WT	Price
1" x 3/4" x 6.5	5/25	\$ 200.61

709UTHW

T CTS - Standard Port Inline Ball Valve less check

Size	Carton PCS/WT	Price
1" x 3/4" x 7.5	10/51	\$ 205.96

709U2CWF

-22 CTS - Standard Port Inline Ball Valves (FNPT Outlet)

Size	Carton PCS/WT	Price
1" x 3/4" x 7.5	10/45	\$ 197.56

U-Branches & Assemblies with Valves

Meter swivel nuts have internal straight threads per AWWA C700, and include hole for wire seal unless otherwise indicated. EPDM rubber gaskets are supplied and are standard.

709UMBW

MNPT - Standard Port Angle Ball Valves

Size	Carton PCS/WT	Price
1" x 3/4" x 7.5	1/5	\$ 194.02

709UZAW

-3Q PEP - Angle Plug Valves

Size	Carton PCS/WT	Price
1" x 3/4" x 7.5	10/44	\$ 220.03

709B2FWF

-22 CTS - Full Port Inline Ball Valves

Size	Carton PCS/WT	Price
1" x 3/4" x 7.5	8/43	\$ 312.61

709UGBW

G CTS - Standard Port Angle Ball Valves

Size	Carton PCS/WT	Price
1" x 3/4" x 14	5/31	\$ 283.87

709U4CW

-44 PVC - Standard Port Inline Ball Valves

Size	Carton PCS/WT	Price
1" x 3/4" x 7.5	10/55	\$ 206.27

709J2EW

-22 CTS - Full Port Angle Ball Valves

Size	Carton PCS/WT	Price
1 1/2" x 3/4" x 9	10/69	\$ 416.49

709U3AW

-33 PEP-7 - Angle Plug Valves

Size	Carton PCS/WT	Price
1" x 3/4" x 7.5	10/45	\$ 224.37

709U4BW

-44 PVC - Standard Port Angle Ball Valves

Size	Carton PCS/WT	Price
1" x 3/4" x 7.5	5/28	\$ 220.23

709U3BW

-33 PEP-7 - Standard Port Angle Ball

Size	Carton PCS/WT	Price
1" x 3/4" x 7.5	10/60	\$ 233

709U4EW

-44 PVC - Full Port Angle Ball Valves

Size	Carton PCS/WT	Price
1" x 3/4" x 7.5	5/29	\$ 309.77

Fire / Sprinkler Assemblies with Valves

Meter swivel nuts have internal straight threads per AWWA C700, and include hole for wire seal unless otherwise indicated. EPDM rubber gaskets are supplied and are standard.

701-200WDCC

1 1/2" FNPT x 1 1/2" FNPT x 3/4" FNPT Ball Valve x Dual Check and 5/8" x 3/4" meter

Size	Carton PCS/WT	Price
66/2x995x098	1/35	\$ 1,566.92

701-4--QN--

7 1/2" U-Branch - 1" Male Meter x 4637 1" & 6101MW 1" with handle

Size	Carton PCS/WT	Price
44x440	5/29	\$ 288.27

701-4--JEFF

1" Meter Swivel x 1" FNPT x 1" FNPT vertical/horizontal

Size	Carton PCS/WT	Price
44	5/23	\$ 342.35

701-200WDQI

1 1/2" Q CTS x 1 1/2" FNPT x 3/4" Q CTS Ball Valve x Dual Check and 5/8" x 3/4" meter

Size	Carton PCS/WT	Price
66/2x088	1/32	\$ 1,455.29

701-4--QN--

7 1/2" U-Branch - 1" Male Meter x 4637 1" & 6101MW 1"

Size	Carton PCS/WT	Price
44x444	5/28	\$ 281.19

701-4--JEQQ

1" Meter Swivel x 1" Q CTS x 1" Q CTS vertical/horizontal

Size	Carton PCS/WT	Price
44	5/27	\$ 365.96

701-200WDQI

1 1/2" Q CTS x 1 1/2" FNPT x 3/4" Q CTS Ball Valve x Dual Check and 5/8" x 3/4" meter (Tall Dual Check)

Size	Carton PCS/WT	Price
66/2x995x088	1/33	\$ 1,455.29

Accessories

BALL VALVE HANDLES / METER SUPPORT BRACKET

6120

Stainless Steel Handle
For all McDonald Ball Valves
Order by valve size: 5/8", 3/4", & 1"

Size	Carton PCS/WT	Price
5/8" - 3.25 Long	25/2	\$ 6.54
3/4" & 1" - 4.25 Long	25/3	\$ 7.25

6120D

Stainless Steel w/Hole - 4 1/4" Long
For all McDonald Ball Valves
Order by valve size: 5/8", 3/4", & 1"

Size	Carton PCS/WT	Price
3/4" & 1"	25/3	\$ 9.06

6120B

Brass Ball Valve Handle
For all McDonald Ball Valves
Order by valve size: 5/8", 3/4", & 1"

Size	Carton PCS/WT	Price
5/8" - 3 3/8" Long	25/6	\$ 6.54
3/4" & 1" - 4 3/8" Long	25/7	\$ 7.25

Fits 5/8", 3/4", & 1" valves



6120BS

Brass Ball Valve Handle - Short 4 3/8 Long
For all McDonald Ball Valves
Order by valve size: 1 1/2" & 2"

Size	Carton PCS/WT	Price
1 1/2" & 2" - 4 3/8" Long	25/7	\$ 17.24

6120BRW

Brass Handle - Reclaimed Water 4 3/8 Long
Order by valve size: 3/4" & 1"

Size	Carton PCS/WT	Price
3/4" & 1" - 4 3/8" Long	25/7	\$ 10.67

6120BSRW

Brass Handle - Reclaimed Water
Short 4 3/8 Long
Order by valve size: 1 1/2" & 2"

Size	Carton PCS/WT	Price
1 1/2" & 2" - 4 3/8" Long	25/7	\$ 20.67

6120BRWPP

Brass Handle - Reclaimed Water
Short 4 3/8 Long - Painted Purple
Order by valve size: 3/4" & 1"

Size	Carton PCS/WT	Price
3/4" & 1" - 4 3/8" Long	25/67	\$ 13.01

6122

Square Head 2" Wrench Adapt
with Cotter Pin

Size	Carton PCS/WT	Price
2"	25/26	\$ 23.47

6121

Flanged Meter Support Bracket

Size	Carton PCS/WT	Price
1 1/2" & 2"	10/1	\$ 10.82



Flange Meter Support Bracket

Comes standard with every flanged valve.



FH

Fixed Handle

To order add "FH" to model number
Example: 76101MFH

Must be assembled by factory. Available on all 3/4", 1", 1 1/2", and 2" non-lockwing ball valves

Gaskets

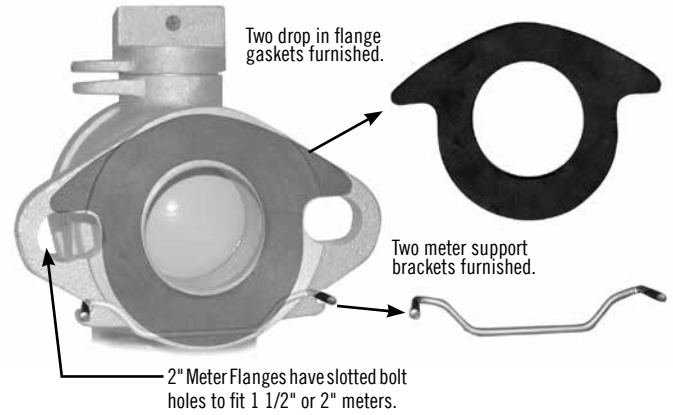


MODEL	DESCRIPTION	METER SIZE	LIST PRICE
18-G1	5/8" Rubber	5/8"	\$ 0.32
18-G1F	5/8" Fiber	5/8"	\$ 1.28
18-G1L	5/8" Waxed Leather	5/8"	\$ 0.77
18-G2	3/4" Rubber	5/8" x 3/4" or 3/4"	\$ 0.41
18-G2F	3/4" Fiber	5/8" x 3/4" or 3/4"	\$ 1.36
18-G2L	3/4" Waxed Leather	5/8" x 3/4" or 3/4"	\$ 0.74
18-G4	1" Rubber	1"	\$ 0.44
18-G4F	1" Fiber	1"	\$ 1.90
18-G4L	1" Waxed Leather	1"	\$ 0.83



MODEL	DESCRIPTION	METER SIZE	LIST PRICE
18-G6	1 1/2" Flange-Rubber	1 1/2"	\$ 3.62
18-G7	2" Flange-Rubber	2"	\$ 4.11
4620G	1 1/2" Round-Rubber	1 1/2"	\$ 3.25
4620G	2" Round-Rubber	2"	\$ 3.68

MODEL	DESCRIPTION	METER SIZE	LIST PRICE
18-GFF6	1 1/2" Full Flange	1 1/2"	\$ 3.62
18-GFF7	2" Full Flange	2"	\$ 4.14



Meter Bushings

Changes thread size only



- 10J12** - Converts 5/8" meter spud to 5/8" x 3/4" meter spud - one bushing \$ 5.47
- 10J12KIT** - Converts 5/8" meter spud to 5/8" x 3/4" meter spud - two pieces per bag \$ 10.93



- 10J34B** - Converts 3/4" meter spud to 1" meter spud - one bushing \$ 16.35



- 10J45** - Converts 1" meter spud to 1 1/4" meter spud - one bushing \$ 9.88

Meter Adapters

Converts meter size and laying length



- 710J13** - Converts 5/8" meter to 3/4" meter - two pieces required per meter \$ 13.32



- 710J13KIT** - Converts 5/8" meter to 3/4" meter - two pieces per kit \$ 26.65



- 710J14** - Converts 5/8" meter to 1" meter - two pieces required per meter \$ 16.66



- 710J14KIT** - Converts 5/8" meter to 1" meter - two pieces per kit \$ 33.30



- 710J23** - Converts 5/8" x 3/4" meter to 3/4" meter - one piece required per meter \$ 16.93



- 710J24** - Converts 5/8" x 3/4" meter to 1" meter - two pieces required per meter \$ 20.36



- 710J24KIT** - Converts 5/8" x 3/4" meter to 1" meter - two pieces per kit \$ 40.70



- 710J34** - Converts 3/4" meter to 1" meter - two pieces required per meter \$ 15.63



- 710J34KIT** - Converts 3/4" meter to 1" meter - two pieces per kit \$ 31.25



- 710J46** - Converts 1" meter to 1 1/2" flanged meter size and length - two pieces required per meter \$ 118.16



- 710J46KIT** - Converts 1" meter to 1 1/2" flanged meter size and length - two pieces per kit \$ 236.31



- 710J47** - Converts 1" meter to 2" flanged meter size and length two pieces required per meter \$ 120.92



- 710J47KIT** - Converts 1" meter to 2" flanged meter size and length two pieces per kit \$ 241.86



- 710J67** - Converts 1 1/2" flanged meter to 2" flanged meter size and length - two pieces required per meter - two bolts included \$ 159.97



- 710J67KIT** - Converts 1 1/2" flanged meter to 2" flanged meter size and length - two pieces per kit - four bolts included \$ 319.94

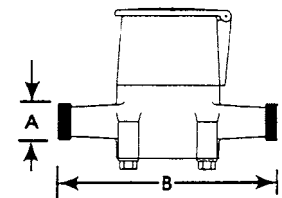
- 710J67DH** - Converts 1 1/2" flanged meter to 2" flanged meter size and length - two pieces required per meter Slotted holes for 1 1/2" or 2" meters - does not include bolts and nuts \$ 159.97

- 710J77DHX2 X1.75** - Converts 2" x 15.25" flanged meter to 2" x 17" flanged meter size and length -one piece required per meter. Slotted holes for 1 1/2" or 2" meters - does not include bolts and nuts \$ 159.97

- 6121NB** - 5/8" hex bolt and nut, zinc plated - 2 each per bag for 1 1/2" and 2" oval flange assembly \$ 7.82

Meter Dimensions

Meter Size	5/8"	3/4" Short Meter, 5/8" x 3/4"	3/4"	3/4" x 1"	1"	1 1/2"	2"
A-Meter Threads	3/4"	1"	1"	1 1/4"	1 1/4"	Oval Flange	Oval Flange
B-Lay Length	7 1/2"	7 1/2"	9"	9"	10 3/4"	13"	17"
A.Y. McDonald Spacing*	7 13/16"	7 13/16"	9 5/16"	9 5/16"	11 3/32"	13 1/4"	17 1/4"



*Allows for meter and two gaskets.

Note: A.Y. McDonald uses the above standards for typical meter applications. If your application is special or in question, you should always measure the meter as shown above. Other meter lay lengths must be specified. An additional 3/8" is added to top spacing to allow for gaskets through 1" meters: Standard 2" top spacing = 17 1/4".



Back Flow, Single & Dual Checks

Back Flow, Single & Dual Checks

Water Works Catalog / Price List - July 2017

MORE THAN A BRAND. WE'RE A FAMILY.

701 & 7101 Inline Single Check Valves

A.Y. McDonald's unique Inline Single Check Back Flow Valves have a wide variety of inlet / outlet configurations.

Backflow prevention will stop the house water from flowing into a meter pit or on the floor while removing the meter for service.



701-322 33

Features

- Available with a wide variety of threaded or Compression outlet connections.

How to Order

(Example):

- Inline style valve
- Valve size 3/4"
- Inlet - Meter swivel integral with saddle (5/8 x 3/4 meter)
- Outlet - 3/4" FNPT

Order Model 701-3HE 43

701

Model Number

701 = Inline single check valve

7101 = Inline Accessible

-

Dash

- = Standard

3

Check Valve Size

3 = 3/4"
4 = 1"
7 = 2"

HE

Inlet & Outlet Connection

Inlet & Outlet Connection -

- A = Male meter thread integral
- D = Oval flange
- E = FNPT integral
- H = Meter swivel integral with support lip
- J = Meter swivel integral without support lip
- K = K Style male thread integral
- P = MNPT integral
- S = H CTS integral
- T = T CTS integral
- U = G CTS integral
- V = Q CTS integral
- 2 = -22 CTS integral
- Z = Female K thread

Blank

4 3

Inlet Outlet

METER THREAD

5/8" Meter
5/8" x 3/4" Meter
3/4" Meter
1" Meter

THREAD SIZE DESIGNATION

3
4
4
5

IRON PIPE, YOKE OR K-THREAD

3/4" Thread
1" Thread

THREAD SIZE DESIGNATION

3
4

Not all combinations available, contact factory.

701 & 7101 Inline Single Check Valves

701-322 -22 CTS x -22 CTS



Size	Inlet/Outlet	Carton PCS/WT	Price
33	3/4" / 3/4"	20/1	\$ 78.99

701-3EE FNPT x FNPT

Size	Inlet/Outlet	Carton PCS/WT	Price
33	3/4" / 3/4"	20/1	\$ 48.65

701-3TT T CTS x T CTS

Size	Inlet/Outlet	Carton PCS/WT	Price
33	3/4" / 3/4"	20/1	\$ 78.99

701-3UU G CTS x G CTS

Size	Inlet/Outlet	Carton PCS/WT	Price
33	3/4" / 3/4"	20/1	\$ 78.99

701-3VV Q CTS x Q CTS

Size	Inlet/Outlet	Carton PCS/WT	Price
33	3/4" / 3/4"	20/1	\$ 78.99

7101-3J2 Integral Meter Swivel without Support Lip x -22 CTS

Size	Inlet/Outlet	Carton PCS/WT	Price
43	5/8" x 3/4" or 3/4" / 3/4"	20/27	\$ 70.77

7101-3JE Integral Meter Swivel without Support Lip x FNPT

Size	Inlet/Outlet	Carton PCS/WT	Price
43	5/8" x 3/4" or 3/4" / 3/4"	20/23	\$ 51.66

7101-3JP Integral Meter Swivel without Support Lip x MNPT

Size	Inlet/Outlet	Carton PCS/WT	Price
43	5/8" x 3/4" or 3/4" / 3/4"	20/21	\$ 57.68

7101-3JV Integral Meter Swivel without Support Lip x Q CTS

Size	Inlet/Outlet	Carton PCS/WT	Price
43	5/8" x 3/4" or 3/4" / 3/4"	20/28	\$ 51.08

7101-4J2 Integral Meter Swivel without Support Lip x -22 CTS

Size	Inlet/Outlet	Carton PCS/WT	Price
54	1" / 1"	10/19	\$ 96.39

7101-4JE Integral Meter Swivel without Support Lip x FNPT

Size	Inlet/Outlet	Carton PCS/WT	Price
54	1" / 1"	10/17	\$ 62.76

7101-4JP Integral Meter Swivel without Support Lip x MNPT

Size	Inlet/Outlet	Carton PCS/WT	Price
54	1" / 1"	10/15	\$ 64.22

7101-4JV Integral Meter Swivel without Support Lip x Q CTS

Size	Inlet/Outlet	Carton PCS/WT	Price
54	1" / 1"	10/21	\$ 96.39

701-7DE Oval Meter Flange x FNPT

Size	Inlet/Outlet	Carton PCS/WT	Price
66	1 1/2" / 1 1/2"	1/7	\$ 283.26
77	2" / 2"	1/8	\$ 343.49

701-7EE Oval Meter FNPT x FNPT

Size	Inlet/Outlet	Carton PCS/WT	Price
66	1 1/2" / 1 1/2"		\$ 239.96
77	2" / 2"		\$ 303.31

702 Angle Single Check Valves

A.Y. McDonald's unique Angle Single Check Back Flow Valves have meter swivel nut inlets and a wide variety of outlet configurations. Angle single checks can be ordered on our copper meter setters, resetters, insetters, and iron yokes, or they can be used independently.

Our top cap and unique perpendicular check module design ensures convenient access for inspections, maintenance or replacements without removing the valve from the line. It also allows for a lower profile than traditional top entry check. Backflow prevention will stop the house water from flowing into a meter pit or on the floor while removing the meter for service. This check design has less flow restriction than standard check valves.



702-3H2 43

Features

- Angle check valve cap available with Pentagon Test Plug.
- Available with a wide variety of threaded or Compression outlet connections.

How to Order

(Example):

- Angle style valve
- No test valve
- Valve size 3/4"
- Inlet - Meter swivel integral with saddle (5/8" x 3/4" meter)
- Outlet - FNPT integral 3/4"

Order Model 702-3HE 33

702	-	3	HE	Blank	4	3										
Model Number	Dash	Check Valve Size	Inlet & Outlet Connection		Inlet	Outlet										
702 = Angle single check valve	- = Standard W = Pentagon test plug in cap	3 = 3/4" 4 = 1"														
			Inlet & Outlet Connection -													
			E = FNPT integral		<table border="1"> <thead> <tr> <th>METER THREAD</th> <th>THREAD SIZE DESIGNATION</th> </tr> </thead> <tbody> <tr> <td>5/8" Meter</td> <td>3</td> </tr> <tr> <td>5/8" x 3/4" Meter</td> <td>4</td> </tr> <tr> <td>3/4" Meter</td> <td>4</td> </tr> <tr> <td>1" Meter</td> <td>5</td> </tr> </tbody> </table>		METER THREAD	THREAD SIZE DESIGNATION	5/8" Meter	3	5/8" x 3/4" Meter	4	3/4" Meter	4	1" Meter	5
METER THREAD	THREAD SIZE DESIGNATION															
5/8" Meter	3															
5/8" x 3/4" Meter	4															
3/4" Meter	4															
1" Meter	5															
			H = Meter swivel integral with support lip													
			J = Meter swivel integral without support lip		<table border="1"> <thead> <tr> <th>IRON PIPE, YOKE OR K-THREAD</th> <th>THREAD SIZE DESIGNATION</th> </tr> </thead> <tbody> <tr> <td>3/4" Thread</td> <td>3</td> </tr> <tr> <td>1" Thread</td> <td>4</td> </tr> </tbody> </table>		IRON PIPE, YOKE OR K-THREAD	THREAD SIZE DESIGNATION	3/4" Thread	3	1" Thread	4				
IRON PIPE, YOKE OR K-THREAD	THREAD SIZE DESIGNATION															
3/4" Thread	3															
1" Thread	4															
			Q = Q CTS integral													
			R = Copper Flare integral													
			S = H CTS integral													
			T = T CTS integral													
			U = G CTS integral													
			2 = -22 CTS integral													

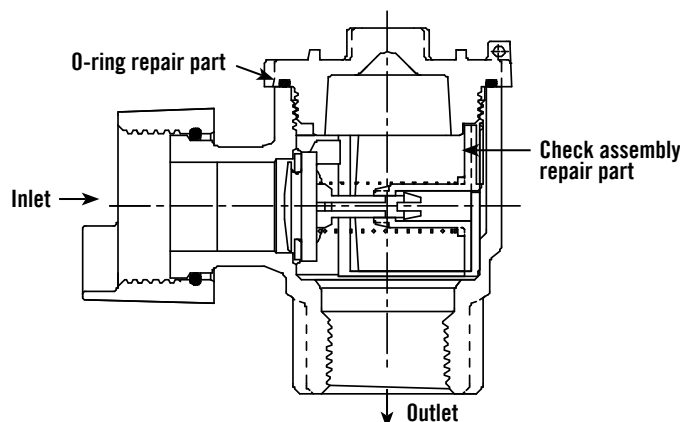
For Test Port/Drain in Cap
Add \$ 17.02 to list price and replace "-" in model number with "W"
i.e. 702-3HE -33 = 702W3HE -33

Not all combinations available, contact factory.

Components and Repair Parts

Most check valves are made to order, please allow two weeks for delivery.

Contact factory for repair parts.



702 Angle Single Check Valves

702-3HE

Meter Swivel with Support Lip x FNPT

Size	Inlet/Outlet	Carton PCS/WT	Price
33	5/8" / 3/4"	10/17	\$ 56.12
43	5/8" x 3/4" or 3/4" / 3/4"	10/12	\$ 56.12

702-3JE

Meter Swivel without Support Lip x FNPT

Size	Inlet/Outlet	Carton PCS/WT	Price
33	5/8" / 3/4"	10/18	\$ 56.12
43	5/8" x 3/4" or 3/4" / 3/4"	10/13	\$ 56.12

702-3J2

Meter Swivel without Support Lip x -22 CTS

Size	Inlet/Outlet	Carton PCS/WT	Price
33	5/8" / 3/4"	10/15	\$ 65.88

702-3H2

Meter Swivel with Support Lip x -22 CTS



Size	Inlet/Outlet	Carton PCS/WT	Price
33	5/8" / 3/4"	10/15	\$ 65.88
43	5/8" x 3/4" or 3/4" / 3/4"	10/16	\$ 65.88

702-3HQ

Meter Swivel with Support Lip x Q CTS

Size	Inlet/Outlet	Carton PCS/WT	Price
33	5/8" / 3/4"	10/20	\$ 65.88
43	5/8" x 3/4" or 3/4" / 3/4"	10/17	\$ 65.88

702-3HT

Meter Swivel with Support Lip x T CTS

Size	Inlet/Outlet	Carton PCS/WT	Price
33	5/8" / 3/4"	10/21	\$ 65.88
43	5/8" x 3/4" or 3/4" / 3/4"	10/16	\$ 65.88

702-4HE

Meter Swivel with Support Lip x FNPT

Size	Inlet/Outlet	Carton PCS/WT	Price
54	1" / 1"	10/23	\$ 67.41

702-4JE

Meter Swivel Nut without Support Lip x FNPT

Size	Inlet/Outlet	Carton PCS/WT	Price
54	1" / 1"	10/22	\$ 67.41

702-4H2

Meter Swivel with Support Lip x -22 CTS

Size	Inlet/Outlet	Carton PCS/WT	Price
54	1" / 1"	10/27	\$ 70.42

702-4HQ

Meter Swivel with Support Lip x Q CTS

Size	Inlet/Outlet	Carton PCS/WT	Price
54	1" / 1"	10/30	\$ 70.42

702-4HU

Meter Swivel with Support Lip x G CTS

Size	Inlet/Outlet	Carton PCS/WT	Price
54	1" / 1"	10/29	\$ 70.42

702-4HR

Metering Swivel with Support Lip x Flare

Size	Inlet/Outlet	Carton PCS/WT	Price
54	1" / 1"	10/28	\$ 72.56

702-4HT

Metering Swivel with Support Lip x T CTS

Size	Inlet/Outlet	Carton PCS/WT	Price
54	1" / 1"	10/29	\$ 70.42

02-3RK

Repair Kit for Model 702-3 Single Check (Includes Check Cartridge and O-Rings)

Size	Carton PCS/WT	Price
3/4"	1/1	\$ 22.20

02-4RK

Repair Kit for Model 702-4 Single Check Valves (Includes Check Cartridge and O-Rings)

Size	Carton PCS/WT	Price
1"	1/1	\$ 38.67

711 Inline Dual Check Valves

A.Y. McDonald Inline Dual Check Valves protect the public water supply by preventing the reverse flow of water from the building back into the water main. The Series 711 dual check valve is available with a wide variety of end connections to connect directly to water meters or other types of piping.



711-3F2 33

Features

- Available with a wide variety of threaded or Compression connections.
- Dual checks work independently of each other.
- Valve will operate with either check removed.
- Designed Tested to ANSI/ASSE 1024 requirements.



7311-3JF 43

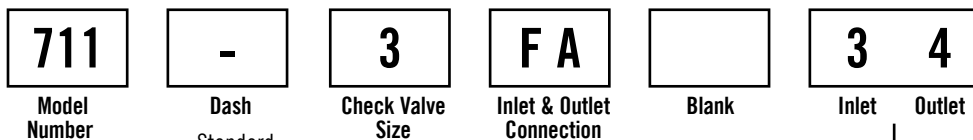
7311 Style - Integral Meter Swivel x FNPT union Special end to end lay length 4.10
See page 243

How to Order

(Example):

- Inline style valve
- Valve size 3/4"
- Inlet - FNPT union 3/4"
- Outlet - Male meter thread integral (5/8" x 3/4" meter)

Order Model 711-3FA 34



711 = Inline Dual Check valve (Two inline checks)

- = Standard

3 = 3/4"
4 = 1"

Inlet & Outlet Connection

- A = Male meter thread integral
- B = Male meter thread union
- C = -22 CTS union
- D = G CTS union
- E = FNPT integral
- F = FNPT union
- G = T CTS union
- H = Meter swivel integral with support lip
- J = Meter swivel integral without support lip
- K = K Style male thread integral
- L = K Style female thread integral
- M = MNPT union

- N = Female meter thread union
- O = PE CTS union
- P = MNPT integral
- Q = K style male thread union
- R = Q CTS union
- S = H CTS integral
- T = T CTS integral
- U = G CTS integral
- V = Q CTS integral
- 2 = -22 CTS integral

Not all combinations available, contact factory.

METER THREAD

- 5/8" Meter
- 5/8" x 3/4" Meter
- 3/4" Meter
- 1" Meter

THREAD SIZE DESIGNATION

- 3
- 4
- 4
- 5

IRON PIPE, YOKE OR K-THREAD

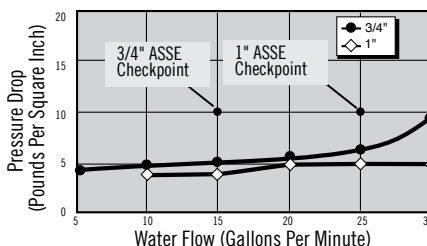
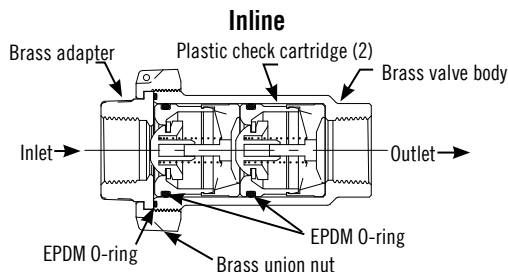
- 3/4" Thread
- 1" Thread

THREAD SIZE DESIGNATION

- 3
- 4

Components and Repair Parts

Most check valves are made to order, please allow two weeks for delivery.



For repair kit, order 11-3RK. Kit includes cap o-ring and two cartridges with o-rings.

11-3RK

Repair Kit

3 EPDM O-rings, 2 Plastic Check Cartridges

Size	Carton PCS/WT	Price
3/4"		\$ 21.72

11-4RK

Repair Kit

3 EPDM O-rings, 2 Plastic Check Cartridges

Size	Carton PCS/WT	Price
1"		\$ 40.62

711 Inline Dual Check Valves

711-3AF

3/4" Male Meter Thread x 3/4" FNPT

Size	Inlet/Outlet	Carton PCS/WT	Price
43	5/8" x 3/4" or 3/4" / 3/4"	1/2	\$ 96.36

711-3AN

Male Meter Thread Integral x Female Meter Thread Union

Size	Inlet/Outlet	Carton PCS/WT	Price
33	5/8" / 3/4"	1/2	\$ 96.36
34	5/8" x 3/4" or 3/4"	1/2	\$ 96.36
44	5/8" x 3/4" or 3/4" / 3/4"	16/23	\$ 96.36

711-3BA

Male Meter Thread Union x Male Meter Thread Integral

Size	Inlet/Outlet	Carton PCS/WT	Price
44	5/8" x 3/4" or 3/4" / 5/8" x 3/4" or 3/4"	1/2	\$ 92.22

711-3C2

-22 CTS Union x -22 CTS Integral

Size	Inlet/Outlet	Carton PCS/WT	Price
33	3/4" / 3/4"	1/3	\$ 119.13

711-3CE

-22 CTS Union x FNPT Integral

Size	Inlet/Outlet	Carton PCS/WT	Price
33	3/4" / 3/4"	1/2	\$ 108.23

711-3CP

-22 CTS Union x MNPT Integral

Size	Inlet/Outlet	Carton PCS/WT	Price
33	3/4" / 3/4"	1/3	\$ 108.23

711-3F2

FNPT Union x -22 CTS Integral

Size	Inlet/Outlet	Carton PCS/WT	Price
33	3/4" / 3/4"	1/2	\$ 108.23

711-3FE

FNPT Union x FNPT Integral

Size	Inlet/Outlet	Carton PCS/WT	Price
11	1/2" / 1/2"	1/3	\$ 96.36
33	3/4" / 3/4"	1/2	\$ 96.36



711-3FP

FNPT Union x MNPT Integral

Size	Inlet/Outlet	Carton PCS/WT	Price
33	3/4" / 3/4"	1/2	\$ 96.36



711-3FT

FNPT Union x T CTS Integral

Size	Inlet/Outlet	Carton PCS/WT	Price
33	3/4" / 3/4"	1/2	\$ 108.23

711-3FV

FNPT Union x Q CTS Integral

Size	Inlet/Outlet	Carton PCS/WT	Price
33	3/4" / 3/4"	16/35	\$ 108.23

711-3GE

T CTS Union x FNPT Integral

Size	Inlet/Outlet	Carton PCS/WT	Price
33	3/4" / 3/4"	1/3	\$ 108.23

711-3GP

T CTS Union x MNPT Integral

Size	Inlet/Outlet	Carton PCS/WT	Price
33	3/4" / 3/4"	1/3	\$ 108.23

711-3GT

T CTS Union x T CTS Integral

Size	Inlet/Outlet	Carton PCS/WT	Price
33	3/4" / 3/4"	1/3	\$ 119.13

711-3HB

Meter Swivel with Support Lip Integral x Male Meter Thread Union

Size	Inlet/Outlet	Carton PCS/WT	Price
44	5/8" x 3/4" or 3/4" / 5/8" x 3/4" or 3/4"	1/3	\$ 105.99

711-3JR

Meter Swivel Nut without Support Lip x Q CTS Union

Size	Inlet/Outlet	Carton PCS/WT	Price
43	5/8" x 3/4" or 3/4" / 3/4"		\$ 122.92

711-3JB

Meter Swivel Nut Integral without Support Lip x Male Meter Thread Union

Size	Inlet/Outlet	Carton PCS/WT	Price
44	5/8" x 3/4" or 3/4" / 5/8" x 3/4" or 3/4"	1/2	\$ 105.99

711-3JC

Meter Swivel Nut Integral without Support Lip x -22 CTS Union

Size	Inlet/Outlet	Carton PCS/WT	Price
33	5/8" / 3/4"	1/3	\$ 122.92
44	5/8" x 3/4" or 3/4" / 5/8" x 3/4" or 3/4"	1/3	\$ 122.92

711-3JF

Meter Swivel Nut Integral without Support Lip x FNPT Union

Size	Inlet/Outlet	Carton PCS/WT	Price
33	5/8" / 3/4"	1/3	\$ 105.99
43	5/8" x 3/4" or 3/4" / 3/4"	1/3	\$ 105.99



711-3JG

Meter Swivel Nut Integral without Support Lip x T CTS Union

Size	Inlet/Outlet	Carton PCS/WT	Price
33	5/8" / 3/4"	1/3	\$ 122.92
43	5/8" x 3/4" or 3/4" / 3/4"	1/3	\$ 122.92



711-3JM

Meter Swivel Nut Integral without Support Lip x MNPT Union

Size	Inlet/Outlet	Carton PCS/WT	Price
33	5/8" / 3/4"	1/3	\$ 105.99
43	5/8" x 3/4" or 3/4" / 3/4"	1/2	\$ 105.99



711-3JV

Meter Swivel Nut without Support Lip x Q CTS Integral

Size	Inlet/Outlet	Carton PCS/WT	Price
33	5/8" / 3/4"	1/3	\$ 122.92
43	5/8" x 3/4" or 3/4" / 3/4"	1/3	\$ 122.92

711 Inline Dual Check Valves

711-3M2

MNPT Union x -22 CTS Integral

Size	Inlet/Outlet	Carton PCS/WT	Price
33	3/4" / 3/4"	1/4	\$ 108.23

711-3MP

MNPT Union x MNPT Integral



Size	Inlet/Outlet	Carton PCS/WT	Price
33	3/4" / 3/4"	1/2	\$ 92.22

711-3NE

Female Meter Thread Union x FNPT Integral

Size	Inlet/Outlet	Carton PCS/WT	Price
33	5/8" / 3/4"	1/2	\$ 96.36
43	5/8" x 3/4" or 3/4" / 3/4"	1/2	\$ 96.36

711-3MA

MNPT Union x Male Meter Thread Integral

Size	Inlet/Outlet	Carton PCS/WT	Price
33	3/4" / 5/8"	1/2	\$ 92.22
34	3/4" / 5/8" x 3/4" or 3/4"	1/2	\$ 92.22

711-3MT

MNPT Union x T CTS Integral

Size	Inlet/Outlet	Carton PCS/WT	Price
33	3/4" / 3/4"	1/3	\$ 108.23

711-3NP

Female Meter Thread Union x MNPT Integral

Size	Inlet/Outlet	Carton PCS/WT	Price
33	5/8" / 3/4"	1/2	\$ 96.36
43	5/8" x 3/4" or 3/4" / 3/4"	1/2	\$ 96.36
44	5/8" x 3/4" or 3/4" / 1"	1/2	\$ 96.36

711-3ME

MNPT Union x FNPT Integral



Size	Inlet/Outlet	Carton PCS/WT	Price
33	3/4" / 3/4"	1/2	\$ 96.36

711-3MV

MNPT Union x Q CTS Integral

Size	Inlet/Outlet	Carton PCS/WT	Price
33	3/4" / 3/4"	1/4	\$ 108.23

711-3NT

Female Meter Thread Union x T CTS Integral

Size	Inlet/Outlet	Carton PCS/WT	Price
33	5/8" / 3/4"	1/2	\$ 108.23
43	5/8" x 3/4" or 3/4" / 3/4"	1/2	\$ 108.23

711-3MJ

MNPT Union x Meter Swivel Integral without Support Lip

Size	Inlet/Outlet	Carton PCS/WT	Price
33	3/4" / 5/8"	1/2	\$ 105.99

711-3N2

Female Meter Thread Union x -22 CTS Integral

Size	Inlet/Outlet	Carton PCS/WT	Price
33	5/8" / 3/4"	1/2	\$ 108.23
43	5/8" x 3/4" or 3/4" / 3/4"	1/2	\$ 108.23

711-3NV

Female Meter Thread Union x Q CTS Integral

Size	Inlet/Outlet	Carton PCS/WT	Price
33	5/8" / 3/4"	16/27	\$ 108.23
43	5/8" x 3/4" or 3/4" / 3/4"	1/2	\$ 108.23

711-3NA

Female Meter Thread Union x Male Meter Thread Integral



Size	Inlet/Outlet	Carton PCS/WT	Price
33	5/8" / 3/4"	1/2	\$ 96.36
43	5/8" x 3/4" or 3/4" / 5/8"	1/2	\$ 96.36
44 x 3.63	5/8" x 3/4" or 3/4" / 5/8" x 3/4" or 3/4"	1/2	\$ 96.36
44	5/8" x 3/4" or 3/4" / 5/8" x 3/4" or 3/4"	1/2	\$ 96.36

711-3PF

MNPT Integral x FNPT Union

Size	Inlet/Outlet	Carton PCS/WT	Price
33	3/4" / 3/4"	1/2	\$ 96.36

711-3PN

MNPT Integral x Female Meter Thread Union

Size	Inlet/Outlet	Carton PCS/WT	Price
34	3/4" / 5/8" x 3/4" or 3/4"	1/2	\$ 91.78

711 Inline Dual Check Valves

711-3RV

Q CTS Union x Q CTS Integral

Size	Inlet/Outlet	Carton PCS/WT	Price
33	3/4" / 3/4"	1/3	\$ 108.23

7311-3JF

Integral Meter Swivel without Support Lip x FNPT Union



Size	Inlet/Outlet	Carton PCS/WT	Price
33	5/8" / 3/4"	1/2	\$ 101.18
43	5/8" x 3/4" or 3/4" / 3/4"	1/2	\$ 101.18

7311-3JM

Integral Meter Swivel without Support Lip x MNPT Union



Size	Inlet/Outlet	Carton PCS/WT	Price
43	5/8" x 3/4" or 3/4" / 3/4"	1/2	\$ 101.18

711-4NA

Female Meter Thread Union x Male Meter Thread Integral

Size	Inlet/Outlet	Carton PCS/WT	Price
55	1" / 1"	1/1	\$ 219.87

711-4EM

FNPT Integral x MNPT Union

Size	Inlet/Outlet	Carton PCS/WT	Price
44	1" / 1"	1/3	\$ 185.55

711-4FE

FNPT Union x FNPT Integral



Size	Inlet/Outlet	Carton PCS/WT	Price
44	1" / 1"	1/3	\$ 185.55

711-4HB

Meter Swivel Integral with Support Lip x Male Meter Union

Size	Inlet/Outlet	Carton PCS/WT	Price
55	1" x 1"	1/4	\$ 197.66

711-4JB

Meter Swivel Integral without Support Lip x Male Meter Union

Size	Inlet/Outlet	Carton PCS/WT	Price
55	1" x 1"	12/37	\$ 197.66

711-4JF

Meter Swivel Integral without Support Lip x FNPT Union



Size	Inlet/Outlet	Carton PCS/WT	Price
54	1" x 1"	1/3	\$ 197.66

711-4JM

Meter Swivel Integral without Support Lip x MNPT Union



Size	Inlet/Outlet	Carton PCS/WT	Price
54	1" x 1"	1/4	\$ 197.66

711-4MJ

MNPT Union x Meter Swivel Integral without Support Lip

Size	Inlet/Outlet	Carton PCS/WT	Price
45	1" / 1"	1/4	\$ 197.66

711-4ME

MNPT Union x FNPT Integral

Size	Inlet/Outlet	Carton PCS/WT	Price
44	1" / 1"	1/3	\$ 185.55

711-7DE

Oval Flange x FNPT

Size	Inlet/Outlet	Carton PCS/WT	Price
66	1 1/2" x 1 1/2"	1/8	\$ 369.16
77	2" x 2"	1/7	\$ 447.66

711-7EE

FNPT x FNPT - Inline Accessible

Size	Inlet/Outlet	Carton PCS/WT	Price
66	1 1/2" x 1 1/2"		\$ 309.07
77	2" x 2"		\$ 386.86

711 Inline Dual Check Valves

711X3JF

Integral Meter Swivel without Support Lip x FNPT Union (reduced weight)

Size	Inlet/Outlet	Carton PCS/WT	Price
43	5/8" x 3/4" or 3/4" / 3/4"	1/2	\$ 56.68
54	1" / 1"	1/2	\$ 62.13

711X4FE

FNPT Union x FNPT Integral (reduced weight)

Size	Inlet/Outlet	Carton PCS/WT	Price
44	1" / 1"	1/2	\$ 111.18

7311X3JF

Meter Swivel without Support Lip x FNPT Union

Size	Inlet/Outlet	Carton PCS/WT	Price
43	5/8" x 3/4" or 3/4" / 3/4"	1/1	\$ 45.78

711X3JM

Integral Meter Swivel without Support Lip x MNPT Union (reduced weight)

Size	Inlet/Outlet	Carton PCS/WT	Price
43	5/8" x 3/4" or 3/4" / 3/4"	1/2	\$ 59.95
54	1" / 1"	1/2	\$ 68.67

711X4JF

Integral Meter Swivel without Support Lip x FNPT Union (reduced weight)

Size	Inlet/Outlet	Carton PCS/WT	Price
54	1" x 1"	1/2	\$ 117.72

7311X3JM

Meter Swivel without Support Lip x MNPT Union

Size	Inlet/Outlet	Carton PCS/WT	Price
43	5/8" x 3/4" or 3/4" / 3/4"	1/1	\$ 49.05

711X3NA

Meter Swivel Union x Male Meter Thread Integral

Size	Inlet/Outlet	Carton PCS/WT	Price
44	5/8" x 3/4" or 3/4" / 3/4"	1/1	\$ 88.40

711X4JM

Integral Meter Swivel without Support Lip x MNPT Union (reduced weight)

Size	Inlet/Outlet	Carton PCS/WT	Price
54	1" x 1"	1/2	\$ 124.26

711X4ME

MNPT Union x FNPT Integral (reduced weight)

Size	Inlet/Outlet	Carton PCS/WT	Price
44	1" x 1"	1/2	\$ 117.72

712 Angle Dual Check Valves

A.Y. McDonald's unique Angle Dual Check Back Flow Valves have meter swivel nut inlet and a wide variety of outlet configurations. Angle dual checks can be ordered on our copper meter setters, resetters, insetters and iron yokes or they can be used independently.

Our top cap and unique perpendicular check module design ensures convenient access to both checks for inspections, maintenance or replacements without removing the valve from the line. It also allows for a lower profile than traditional top entry dual checks. Backflow of water is still deterred if either of the checks are removed or inoperable. This check design has less flow restriction than standard check valves.



712-3JE 43

Features

- Angle check valve available with Pentagon Test Plug in cap.
- Available with a wide variety of threaded or compression connections.
- Dual checks work independently of each other.
- Valve will operate with either check removed.
- Design Tested to ANSI/ASSE 1024 requirements.

How to Order

(Example):

- Angle style valve
- No test valve
- Valve size 3/4"
- Inlet - Meter swivel nut (5/8" x 3/4" meter)
- Outlet - 3/4" FNPT

Order Model 712-3JE 43

712	-	3	JE		3	3
Model Number	Dash	Check Valve Size	Inlet & Outlet Connection	Blank	Inlet	Outlet
712 = Angle Dual Check valve	- = Standard W = Pentagon test plug in cap	3 = 3/4" 4 = 1"				

Inlet & Outlet Connection	T	U	Z	2	3	4	5
B = -3G PEP integral	T = T CTS integral	U = G CTS integral	Z = -3Q PEP integral	2 = -22 CTS integral	3 = -33 PEP-7 integral	4 = -44 PVC integral	5 = -55 IPS integral
E = FNPT integral							
H = Meter swivel integral with support lip							
I = -3H PEP integral							
J = Meter swivel integral without support lip							
Q = Q CTS integral							
R = Copper Flare integral							
S = H CTS integral							

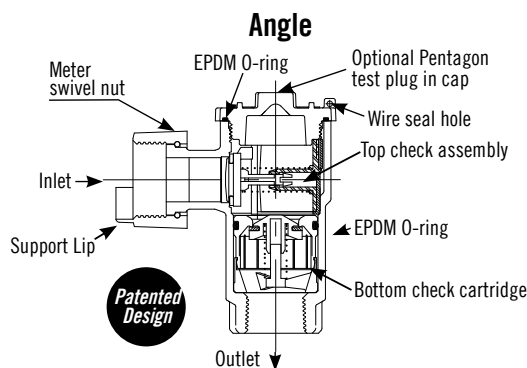
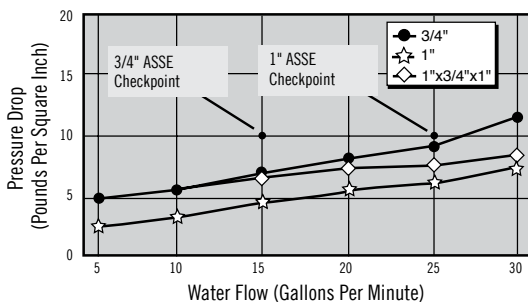
METER THREAD	THREAD SIZE DESIGNATION
5/8" Meter	3
5/8" x 3/4" Meter	4
3/4" Meter	4
1" Meter	5

IRON PIPE, YOKE OR K-THREAD	THREAD SIZE DESIGNATION
3/4" Thread	3
1" Thread	4

Not all combinations available, contact factory.

Components and Repair Parts

Most check valves are made to order, please allow two weeks for delivery.



For repair kit, order 12-3RK. Kit includes top check, bottom check with o-ring and cap o-ring.

712 Angle Dual Check Valves

For Test Port/Drain in Cap
Add \$ 17.02 to list price and replace “-” in model number with “W”
i.e. 712-3HE = 712W3HE

712-3HE

Meter Swivel Nut with Support Lip x FNPT

Size	Inlet/Outlet	Carton PCS/WT	Price
33	5/8" / 3/4"	12/19	\$ 113.00
43	5/8" x 3/4" or 3/4" / 3/4"	12/19	\$ 113.00
54	1" / 1"	12/19	\$ 128.23

712-3JR

Meter Swivel without Support Lip x Flare

Size	Inlet/Outlet	Carton PCS/WT	Price
33	5/8" / 3/4"	12/24	\$ 126.75
43	5/8" x 3/4" or 3/4" / 3/4"	12/24	\$ 126.75
54	1" / 1"	12/30	\$ 140.26

712-3J2

Meter Swivel without Support Lip x -22 CTS

Size	Inlet/Outlet	Carton PCS/WT	Price
33	5/8" / 3/4"	12/22	\$ 127.50
43	5/8" x 3/4" or 3/4" / 3/4"	12/23	\$ 127.50
54	1" / 1"	12/27	\$ 141.16

712-3HR

Meter Swivel Nut with Support Lip x Flare

Size	Inlet/Outlet	Carton PCS/WT	Price
33	5/8" / 3/4"	12/24	\$ 126.75
43	5/8" x 3/4" or 3/4" / 3/4"	12/26	\$ 126.75
54	1" / 1"	12/30	\$ 140.26

712-3HQ

Meter Swivel with Support Lip x Q CTS

Size	Inlet/Outlet	Carton PCS/WT	Price
33	5/8" / 3/4"	12/24	\$ 127.50
43	5/8" x 3/4" or 3/4" / 3/4"	12/24	\$ 127.50
54	1" / 1"	12/29	\$ 141.16

712-3JQ

Meter Swivel without Support Lip x Q CTS

Size	Inlet/Outlet	Carton PCS/WT	Price
33	5/8" / 3/4"	12/24	\$ 127.50
43	5/8" x 3/4" or 3/4" / 3/4"	12/24	\$ 127.50
54	1" / 1"	12/28	\$ 141.16

712-3H2

Meter Swivel Nut with Support Lip x -22 CTS

Size	Inlet/Outlet	Carton PCS/WT	Price
33	5/8" / 3/4"	12/22	\$ 127.50
43	5/8" x 3/4" or 3/4" / 3/4"	12/22	\$ 127.50
54	1" / 1"	12/28	\$ 141.16

712-3HT

Meter Swivel Nut with Support Lip x T CTS

Size	Inlet/Outlet	Carton PCS/WT	Price
33	5/8" / 3/4"	12/21	\$ 127.50
43	5/8" x 3/4" or 3/4" / 3/4"	12/24	\$ 127.50
54	1" / 1"	12/29	\$ 141.16

712-3JT

Meter Swivel without Support Lip x T CTS

Size	Inlet/Outlet	Carton PCS/WT	Price
33	5/8" / 3/4"	12/25	\$ 127.50
43	5/8" x 3/4" or 3/4" / 3/4"	12/24	\$ 127.50
54	1" / 1"	12/28	\$ 141.16

712-3HU

Meter Swivel with Support Lip x G CTS

Size	Inlet/Outlet	Carton PCS/WT	Price
43	5/8" x 3/4" or 3/4" / 3/4"		\$ 127.50

712-3JE

Meter Swivel without Support Lip x FNPT

Size	Inlet/Outlet	Carton PCS/WT	Price
33	5/8" / 3/4"	12/20	\$ 113.00
43	5/8" x 3/4" or 3/4" / 3/4"	12/20	\$ 113.00
54	1" / 1"	12/20	\$ 128.23

12-3RK

Repair Kit for 3/4" Check - Vertical/Horizontal

Size	Carton PCS/WT	Price
3/4"	1/1	\$ 32.13

712-4H2

Meter Swivel Nut with Support Lip x -22 CTS

Size	Inlet/Outlet	Carton PCS/WT	Price
54	1" x 1"	10/33	\$ 221.04

712-4HT

Meter Swivel Nut with Support Lip x T CTS

Size	Inlet/Outlet	Carton PCS/WT	Price
54	1" x 1"	10/33	\$ 221.04

712-4JE

Meter Swivel x FNPT

Size	Inlet/Outlet	Carton PCS/WT	Price
54	1" x 1"	10/25	\$ 196.09

712-4HU

Meter Swivel Nut with Support Lip x G CTS

Size	Inlet/Outlet	Carton PCS/WT	Price
54	1" x 1"		\$ 221.04

712-4HE

Meter Swivel Nut with Support Lip x FNPT

Size	Inlet/Outlet	Carton PCS/WT	Price
54	1" x 1"	12/29	\$ 196.09

712-4JR

Meter Swivel without Support Lip x Flare

Size	Inlet/Outlet	Carton PCS/WT	Price
54	1" x 1"	10/33	\$ 219.25

712-4HQ

Meter Swivel Nut with Support Lip x Q CTS

Size	Inlet/Outlet	Carton PCS/WT	Price
54	1" x 1"	10/33	\$ 221.04

712-4HR

Meter Swivel Nut with Support Lip x Flare

Size	Inlet/Outlet	Carton PCS/WT	Price
54	1" x 1"	10/33	\$ 219.25

12-4RK

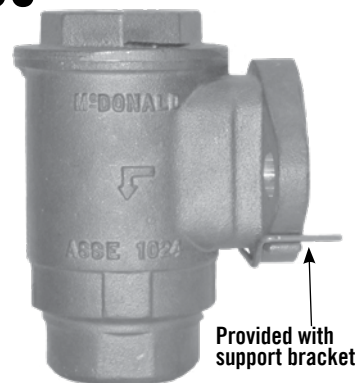
Repair Kit for 1" Check Vertical / Horizontal

Size	Carton PCS/WT	Price
1"	1/1	\$ 41.11

712 Oval Flanged Angle Dual Check Valves

A.Y. McDonald's unique Angle Dual Check Back Flow Valves have meter oval flange inlet and FNPT outlet configurations. Angle dual checks can be ordered on our copper meter setters and resetters or they can be used independently.

Our top cap and unique perpendicular check module design ensures convenient access to both checks for inspections, maintenance, or replacements without removing the valve from the line. It also allows for a lower profile than traditional top entry dual checks. Backflow of water is still deterred if either of the checks are removed or inoperable.



712-7DE 77

Features

- Dual checks work independently of each other.
- Valve will operate with either check removed.
- Top cap is available with 1", 1 1/2", or 2" FNPT taps.
- Design Tested to ANSI/ASSE 1024 requirements.

How to Order

(Example):

- Angle style valve
- No test valve
- Valve size 2"
- Inlet - Meter flange 2"
- Outlet - FNPT integral 2"

Order Model 712-7DE 77

712	-	7	DE		7	7						
Model Number	Dash	Check Valve Size	Inlet & Outlet Connection	Blank	Inlet	Outlet						
712 = Flanged Angle Dual Check valve	- = Standard C = With 1" FNPT tap in cap F = With 1 1/2" FNPT tap in cap G = With 2" FNPT tap in cap	7 = 2"										
					<table border="1"> <thead> <tr> <th>METER THREAD</th> <th>THREAD SIZE DESIGNATION</th> </tr> </thead> <tbody> <tr> <td>1 1/2" Meter</td> <td>6</td> </tr> <tr> <td>2" Meter</td> <td>7</td> </tr> </tbody> </table>		METER THREAD	THREAD SIZE DESIGNATION	1 1/2" Meter	6	2" Meter	7
METER THREAD	THREAD SIZE DESIGNATION											
1 1/2" Meter	6											
2" Meter	7											
					<table border="1"> <thead> <tr> <th>IRON PIPE, YOKE OR K-THREAD</th> <th>THREAD SIZE DESIGNATION</th> </tr> </thead> <tbody> <tr> <td>1 1/2" Thread</td> <td>6</td> </tr> <tr> <td>2" Thread</td> <td>7</td> </tr> </tbody> </table>		IRON PIPE, YOKE OR K-THREAD	THREAD SIZE DESIGNATION	1 1/2" Thread	6	2" Thread	7
IRON PIPE, YOKE OR K-THREAD	THREAD SIZE DESIGNATION											
1 1/2" Thread	6											
2" Thread	7											
	Inlet & Outlet Connection D = Meter Flanged with meter support brackets (2" flange provided with bolt holes for 1 1/2" and 2" meter) E = FNPT integral G = "G" CTS Integral Q = "Q" CTS Integral T = "T" CTS Integral 2 = "-22" CTS Integral											

712-7DE

Oval Flange x FNPT

Size	Inlet/Outlet	Carton PCS/WT	Price
66	1 1/2" / 1 1/2"	1/9	\$ 447.38
77	2" / 2"	1/9	\$ 447.38

712-7DG

Oval Flange x G CTS

Size	Inlet/Outlet	Carton PCS/WT	Price
77	2" / 2"	1/9	\$ 526.86

712-7DT

Oval Flange x T CTS

Size	Inlet/Outlet	Carton PCS/WT	Price
77	2" / 2"	1/9	\$ 526.86

712-7D2

Oval Flange x -22 CTS

Size	Inlet/Outlet	Carton PCS/WT	Price
77	2" / 2"	1/9	\$ 526.86

712-7DQ

Oval Flange x Q CTS

Size	Inlet/Outlet	Carton PCS/WT	Price
77	2" / 2"	1/9	\$ 526.86

712-7RK

Angle Dual Check Repair Kit 2" Check

Size	Inlet/Outlet	Carton PCS/WT	Price
2		1/1	\$ 122.19

7111 Inline Accessible Dual Check Valves

A.Y. McDonald's unique Inline Accessible Dual Check Back Flow Valves have meter swivel nut inlets and a wide variety of outlet configurations.

Our top cap and unique check module design ensures convenient access to both checks for inspections, maintenance or replacements without removing the valve from the line. Backflow of water is still deterred if either of the checks are removed or inoperable.



Features

- Available with a wide variety of threaded or Compression connections.
- Dual checks work independently of each other.
- Valve will operate with either check removed.
- Design Tested to ANSI/ASSE 1024 requirements.

How to Order

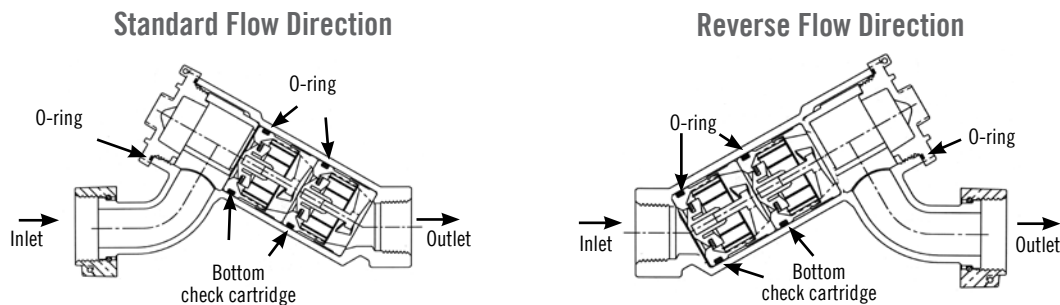
(Example):

- Inline style valve
- Valve size 3/4"
- No test valve
- Inlet - Meter swivel nut (5/8" x 3/4" meter)
- Outlet - FNPT integral 3/4"

Order Model 7111-3JE 43

7111	-	3	JE		4	3
Model Number	Dash	Check Valve Size	Inlet & Outlet Connection	Blank	Inlet	Outlet
7111 = Inline Accessible Dual Check valve (Two inline checks)	- = Standard W = Pentagon test plug in cap R = Reverse Direction	3 = 3/4" 4 = 1"	E = FNPT integral H = Meter swivel integral with support lip J = Meter swivel integral without support lip P = MNPT integral			
		Inlet & Outlet Connection E = FNPT integral H = Meter swivel integral with support lip J = Meter swivel integral without support lip P = MNPT integral				
		Not all combinations available, contact factory.				
					METER THREAD	THREAD SIZE DESIGNATION
					5/8" Meter	3
					5/8" x 3/4" Meter	4
					3/4" Meter	4
					1" Meter	5
					IRON PIPE, YOKE OR K-THREAD	THREAD SIZE DESIGNATION
					3/4" Thread	3
					1" Thread	4

Components and Repair Parts



7111 Inline Accessible Dual Check Valves

7111-3JE

Meter Swivel without Support Lip x FNPT

Size	Inlet/Outlet	Carton PCS/WT	Price
33	5/8" / 3/4"	6/16	\$ 118.72
43	5/8" x 3/4" or 3/4" / 3/4"	6/13	\$ 118.72

7111-3JP

Meter Swivel without Support Lip x MNPT

Size	Inlet/Outlet	Carton PCS/WT	Price
33	5/8" / 3/4"	6/15	\$ 118.72
43	5/8" x 3/4" or 3/4" / 3/4"	6/15	\$ 118.72

7111-4JE

Meter Swivel without Support Lip x MNPT

Size	Inlet/Outlet	Carton PCS/WT	Price
54	1" x 1"	6/20	\$ 204.90

7111R3EE

FNPT x FNPT (reverse direction)

Size	Inlet/Outlet	Carton PCS/WT	Price
33	3/4" / 3/4"	6/13	\$ 117.28

7111R4EJ

FNPT x Meter Swivel without Support Lip (reverse direction)

Size	Inlet/Outlet	Carton PCS/WT	Price
45	1" x 1"	6/15	\$ 226.77

7112 Angle Dual Check Valves

A.Y. McDonald's unique Angle Dual Check Back Flow Valves have meter swivel nut inlet and a wide variety of outlet configurations. Angle dual checks can be ordered on our copper meter setters, resetters, insetters, and iron yokes, or they can be used independently.

Our top cap and unique check module design ensures convenient access to both checks for inspections, maintenance or replacements without removing the valve from the line. Backflow of water is still deterred if either of the checks are removed or inoperable.



Features

- Available with a wide variety of threaded or compression connections.
- Dual checks work independently of each other.
- Valve will operate with either check removed.
- Design Tested to ANSI/ASSE 1024 requirements.

How to Order

(Example):

- Angle style valve
- Inlet - Meter swivel with meter support saddle (5/8" x 3/4" meter)
- No test valve
- Outlet - FNPT integral 3/4"
- Valve size 3/4"

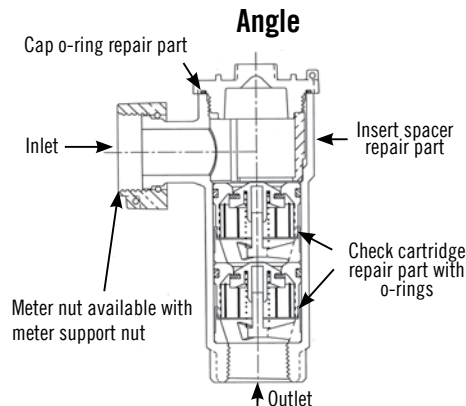
Order Model 7112-3HE 43

7112	-	3	HE		4	3
Model Number	Dash	Check Valve Size	Inlet & Outlet Connection	Blank	Inlet	Outlet
7112 = Angle Dual Check valve (Two inline checks)	- = Standard R = Reverse direction W = Pentagon test plug in cap M = 1/4" MNPT in cap with cap	3 = 3/4" 4 = 1"				
Inlet & Outlet Connection					METER THREAD	THREAD SIZE DESIGNATION
B = "-3G" PEP integral			T = "T" CTS integral		5/8" Meter	3
E = FNPT integral			U = "G" CTS integral		5/8" x 3/4" Meter	4
H = Meter swivel integral with support lip			Z = "-3Q" PEP integral		3/4" Meter	4
I = "-3H" PEP integral			2 = "-22" CTS integral		1" Meter	5
J = Meter swivel integral without support lip			3 = "-33" PEP-7 integral			
Q = "Q" CTS integral			4 = "-44" PVC integral		IRON PIPE, YOKE OR K-THREAD	THREAD SIZE DESIGNATION
R = Copper Flare integral			5 = "-55" IPS integral		3/4" Thread	3
S = "H" CTS integral					1" Thread	4

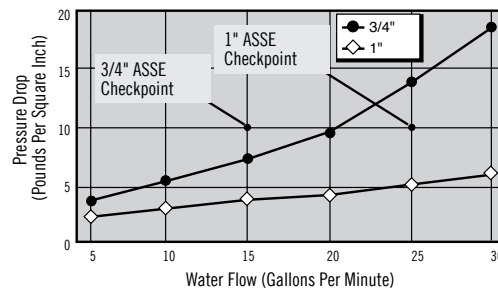
Not all combinations available, contact factory.

Components and Repair Parts

Most check valves are made to order, please allow two weeks for delivery.



For Test Port/Drain in Cap
Add \$ 19.03 to list price and replace "-" in model number with "W"
i.e. 7112-3HE = 7112W3HE



Back Flow, Single & Dual Checks

7112 Angle Dual Check Valves

7112-3HE

Meter Swivel with Support Lip x FNPT

Size	Inlet/Outlet	Carton PCS/WT	Price
33	5/8" / 3/4"	6/15	\$ 113.00
43	5/8" x 3/4" or 3/4" / 3/4"	6/13	\$ 113.00
54	1" / 1"	6/14	\$ 128.23

7112-3HR

Meter Swivel with Support Lip x Flare

Size	Inlet/Outlet	Carton PCS/WT	Price
43	5/8" x 3/4" or 3/4" / 3/4"	6/16	\$ 126.75

7112-3H2

Meter Swivel with Support Lip x -22 CTS

Size	Inlet/Outlet	Carton PCS/WT	Price
43	5/8" x 3/4" or 3/4" / 3/4"	6/16	\$ 127.50

7112-4HE

Meter Swivel with Support Lip x FNPT, 1"

Size	Inlet/Outlet	Carton PCS/WT	Price
54	1" x 1"	6/21	\$ 196.09

7112-4HR

Meter Swivel with Support Lip x Flare, 1"

Size	Inlet/Outlet	Carton PCS/WT	Price
54	1" x 1"	6/24	\$ 219.25

7112-4H2

Meter Swivel with Support Lip x -22 CTS, 1"

Size	Inlet/Outlet	Carton PCS/WT	Price
54	1" x 1"	6/25	\$ 221.04

7112-3HQ

Meter Swivel with Support Lip x Q CTS

Size	Inlet/Outlet	Carton PCS/WT	Price
43	5/8" x 3/4" or 3/4" / 3/4"	6/13	\$ 127.50

7112-3HT

Meter Swivel with Support Lip x T CTS

Size	Inlet/Outlet	Carton PCS/WT	Price
43	5/8" x 3/4" or 3/4" / 3/4"	6/15	\$ 127.50

7112-3JE

Meter Swivel without Support Lip x FNPT

Size	Inlet/Outlet	Carton PCS/WT	Price
33	5/8" / 3/4"	6/14	\$ 113.00
43	5/8" x 3/4" or 3/4" / 3/4"	6/13	\$ 113.00
54	1" / 1"	6/13	\$ 128.23

7112-4HQ

Meter Swivel with Support Lip x Q CTS, 1"

Size	Inlet/Outlet	Carton PCS/WT	Price
54	1" x 1"	6/29	\$ 221.04

7112-4HT

Meter Swivel with Support Lip x T CTS, 1"

Size	Inlet/Outlet	Carton PCS/WT	Price
54	1" x 1"	6/25	\$ 221.04

7112-4JE

Meter Swivel without Support Lip x FNPT

Size	Inlet/Outlet	Carton PCS/WT	Price
54	1" x 1"	6/24	\$ 186.76

7112R3EH

FNPT x Meter Swivel with Support Lip (reverse direction)

Size	Inlet/Outlet	Carton PCS/WT	Price
33	5/8" / 3/4"	6/11	\$ 113.00
43	5/8" x 3/4" or 3/4" / 3/4"	6/9	\$ 124.33

7112M3JE

Meter Swivel without Support Lip x FNPT (with 1/4" MNPT on Cap with Brass Cap Assembled)

Size	Inlet/Outlet	Carton PCS/WT	Price
43	5/8" x 3/4" or 3/4" / 3/4"		\$ 126.60

112-3RK

Repair Kit for 3/4" Port Two Vertical Checks

Size	Carton PCS/WT	Price
3/4"	1/1	\$ 33.55

7112R4EH

FNPT x Meter Swivel with Support Lip (reverse direction)

Size	Inlet/Outlet	Carton PCS/WT	Price
45	1" / 1"	6/19	\$ 196.09

112-4RK

Repair Kit for 1" Port Two Vertical Checks

Size	Carton PCS/WT	Price
1"	1/1	\$ 62.77

7312 Angle Cascading Dual Check

7312-3HE

Meter Swivel with Support Lip x FNPT

Size	Inlet/Outlet	Carton PCS/WT	Price
33	5/8" / 3/4"	15/15	\$ 103.12
43	5/8" x 3/4" or 3/4" / 3/4"	15/18	\$ 103.12
54	1" / 1"	10/14	\$ 107.19

7411 Inline Y Pattern Cascading Dual Check

These inline cascading dual checks can be an integral part of a meter installation and are intended for service use as stipulated by ASSE 1024. This product can be used for supplying dual check backflow prevention to a service line. The check cartridge is also accessible without disturbing the service line.

The water pressure head loss through the checks is lower than the maximum allowed by ASSE, ensuring adequate pressure to the customer. It has excellent corrosion resistance which is provided by stainless steel and acetyl plastic parts and lead free cast brass made to AWWA C800 standard. The cascading dual check is designed to meet or exceed ASSE 1024 requirements.



7411-3HE 43

How to Order

(Example):

- Angle style valve
- No test valve
- Valve size 3/4"
- Inlet - Meter swivel with meter support saddle (5/8" x 3/4" meter)
- Outlet - FNPT integral 3/4"

Order Model 7411-3HE 33



7411
Model Number
7411 = Inline Accessible Cascading Dual Check

-
Dash
- = Standard
W = Pentagon test plug in cap

3
Check Valve Size
3 = 3/4"

HE
Inlet & Outlet Connection

Blank

3 3
Inlet Outlet

Inlet
H = Meter swivel integral with support lip
J = Meter swivel integral without support lip
L = K - thread swivel

Outlet
E = FNPT integral
P = MNPT integral
K = Male K thread integral

Not all combinations available, contact factory.

METER THREAD	THREAD SIZE DESIGNATION
5/8" Meter	3
5/8" x 3/4" Meter	4
3/4" Meter	4
1" Meter	5

IRON PIPE, YOKE OR K-THREAD	THREAD SIZE DESIGNATION
3/4" Thread	3
1" Thread	4

7411-3HE

Meter Nut with Saddle x FNPT

Size	Inlet x Outlet	Carton PCS/WT	Price
33	5/8" x 3/4"	15/15	\$ 103.12
43	3/4" x 3/4"	15/18	\$ 103.12
43 x 4.03	3/4" x 3/4"	10/14	\$ 103.12
54	1" x 1"	10/17	\$ 112.06

7411-3JE

Meter Nut Less Saddle x FNPT

Size	Inlet x Outlet	Carton PCS/WT	Price
33	5/8" x 3/4"	15/15	\$ 103.12
43	3/4" x 3/4"	15/18	\$ 103.12
43 x 4.03	3/4" x 3/4"	10/14	\$ 103.12
54	1" x 1"	10/17	\$ 112.06

7411-3HP

Meter Nut with Saddle x MNPT

Size	Inlet x Outlet	Carton PCS/WT	Price
33	5/8" x 3/4"	15/15	\$ 103.12
43	3/4" x 3/4"	15/18	\$ 103.12

7411-3JP

Meter Nut Less Saddle x MNPT

Size	Inlet x Outlet	Carton PCS/WT	Price
33	5/8" x 3/4"	15/15	\$ 103.12
43	3/4" x 3/4"	15/18	\$ 103.12



THERMAL EXPANSION WARNING - Creating a "closed" condition in a hot water system with the installation of a non-return barrier (such as a Check Valve or Backflow Preventer between the system piping and the public supply) can result in extreme pressure rises caused by thermal expansion and/or water hammer. This thermal expansion can damage piping, valves, and other Components in the system. The installation of a pressure relief device or thermal expansion tank can avoid possible damages.



Unmeasured Flow Reducer (UFR)



Unmeasured Flow Reducer (UFR)

Water Works Catalog / Price List - July 2017

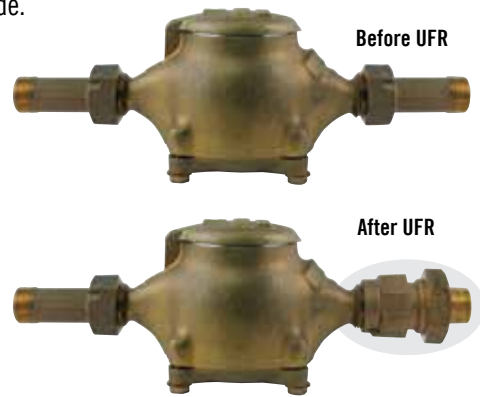
MORE THAN A BRAND. WE'RE A FAMILY.

7201 Meter Coupling

A.Y. McDonald Mfg. Series 7201 Style UFR Meter Coupling is an innovative design that allows low volumes of water usage (previously unmeasured by the water meter) to be measured simply by batching the usage. Studies show that 5% to 10% of total water consumption is lost due to low, unmeasured flows. This device is in service worldwide.

FOR 5/8", 5/8" X 3/4", & 3/4" WATER METERS

- Cast brass housing construction conforms to AWWA C-800 (latest revision)
- Self-cleaning internal components
- Lay length equal to a standard meter coupling (2 1/2") for ease in retrofitting
- Meter swivel nut inlet and MNPT outlet
- Available as a non-check valve where thermal expansion is an issue, add x001 to model number
- For use with Volumetric (Positive Displacement) & Multi-Jet meters
- UFR is directional



How to Order

Order Model 7201-3JM 431

7201	-	3	J	M		4	3	1	
Model Number Prevention Required	Standard	Check Valve Size	Inlet & Outlet Connection		Space	Thread Size	Sizes - Outlet Connection	Meter Type	Backflow
7201 = Inline UFR		3 = 3/4"	J = Meter swivel integral without support lip M = MNPT Integral				1 = 1/2" 3 = 3/4"		X001 - Without Backflow Prevention
								1 - Volumetric Meter (V) Positive Displacement 2 - Multi-Jet Meter (M2) Contact factory with name of meter, manufacturer, and model number for assistance in determining appropriate UFR or see table on the following page.	

METER SIZE	THREAD SIZED	THREAD DESIGNATION
5/8"	3/4"	3
5/8" x 3/4"	1"	4
3/4"	1"	4

Example:

- 311 = 5/8" Meter x 1/2" MNPT x PD Meter
- 312 = 5/8" Meter x 1/2" MNPT x MJ Meter
- 431 = 5/8" x 3/4" or 3/4" Meter x 3/4" MNPT x PD Meter
- 432 = 5/8" x 3/4" or 3/4" Meter x 3/4" MNPT x MJ Meter

7201-3JM

Female Meter Swivel Nut without Support Lip x MNPT

Size	Carton PCS/WT	Price
311	25/23	\$ 139.28
311 x 001	25/23	\$ 149.64
312	25/22	\$ 139.28
312 x 001	25/22	\$ 149.64
431	25/23	\$ 139.28
431 x 001	25/22	\$ 149.64
432	25/22	\$ 139.28
432 x 001	25/23	\$ 149.64

7201 Meter Coupling

GENERAL INFORMATION

- **WARNING** - Do **NOT** use UFR with improper meter. The type of meter the UFR is to be used with is marked on the product as follows:
 V = Volumetric Meter M2 = Multi-Jet Meter
- If uncertain of meter type being used, contact factory with meter manufacturer and model number. UFR's without backflow prevention will also be marked "NCV" following the "V" or "M2".
- The UFR can be installed in either the horizontal or vertical position.
- The UFR can be installed either before or after the meter as long as the arrow points in the direction of flow.
- The UFR requires a minimum line pressure of 14 1/2 PSI to operate correctly.
- If used in a system with a pressure regulating valve, best results will be obtained by locating the pressure regulating valve before the UFR or at least 25' after the UFR.
- The UFR does not require regular maintenance.
- Do **NOT** attempt to repair the UFR or replace internal components.
- Replacing the UFR at the time the meter is changed out is highly recommended.

ASSEMBLY INSTRUCTIONS

- Service lines should be thoroughly flushed before installing device. Excessive pipe sealant or Teflon tape may prevent the UFR from working properly. A suitable strainer should be installed upstream of the device.
- The UFR **MUST** be installed so that the arrow on the UFR points in the direction of water flow.
- A pressure relief valve or an expansion tank is recommended downstream of the UFR if thermal expansion conditions are possible. Not required for non-check valve (NCV) UFR's (X001).
- Use only on cold water service lines under 110°F. Protect from freezing.
- The UFR is not recommended for pressures exceeding 235 PSI.

Meter Manufacturer	Model(s)	Measurement Element	Meter Type	➔	UFR Type	UFR Marking	No Check UFR Marking
Neptune	T10	Rotating Disc	Volumetric Displacement Positive Displacement (PD)	➔	Volumetric	UFR - V	UFR - V - NCV
Badger	25 - 35						
Hersey	400 Series - II's						
Sensus / Rockwell	SR - SR11	Oscillating Piston	Velocity	➔	Multi-Jet	UFR - M2	UFR - M2 - NCV
Elster / Kent Amco	C700						
Master Meter	MMPD						
Master Meter	BLMJ - MMMJ	Multi-Jet	Velocity	➔	N/A	N/A	N/A
Sensus	PMM						
Elster Amco	M140 (MO-C)						
Hays	MR - MT						
Precision	PM - PMM						
Sensus	iPERL	Magnetic	Solid State	➔	Contact Factory	Contact Factory	Contact Factory
Badger	E-Series	Ultrasonic					
Elster	SM-700	Fluidic Oscillation					
Actaris		Single Jet	Velocity	➔	Contact Factory	Contact Factory	Contact Factory
	MC15 - MC20	Multi-Jet	Velocity		Contact Factory	Contact Factory	Contact Factory
	MSD - TNII	(not sold in US)	Velocity		Contact Factory	Contact Factory	Contact Factory

Meter shall comply with the AWWA C700-90 accuracy requirements as specified in section 3.8 of the standard.

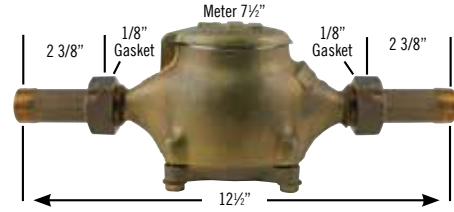
7201 5/8" Meter - Change-Out Kit

A.Y. McDonald Mfg. Series 7201 Style UFR Meter Coupling is an innovative design that allows low volumes of water usage (previously unmeasured by the water meter) to be measured simply by batching the usage. Studies show that 5% to 10% of total water consumption is lost due to low, unmeasured flows. This device is in service worldwide.

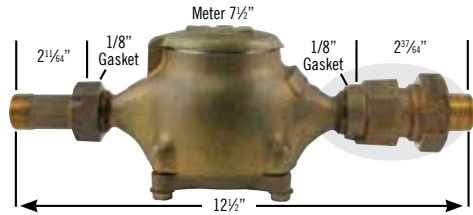
KIT FOR 5/8" METER CHANGE-OUT

- Kit consists of one special length 5/8" x 1/2" meter coupling for inlet side of meter, one 5/8" x 1/2" special length UFR device for outlet side of meter, and two meter gaskets.
- Male threads are protected with plastic thread protectors.

Before UFR Kit



After UFR Kit



7201-3JMKIT

Female Meter Swivel Nut without Support Lip x MNPT

Size	Carton PCS/WT	Price
311	25/32	\$ 159.34
311 x 001	25/31	\$ 169.70
312	25/31	\$ 159.34
312 x 001	25/31	\$ 169.70

7201C Straight Couplings

A.Y. McDonald Mfg. Series 7201C Style UFR Meter Coupling is an innovative design that allows low volumes of water usage (previously unmeasured by the water meter) to be measured simply by batching the usage. Studies show that 5% to 10% of total water consumption is lost due to low, unmeasured flows. This device is in service worldwide.

FOR 5/8", 5/8" X 3/4" & 3/4" WATER METERS

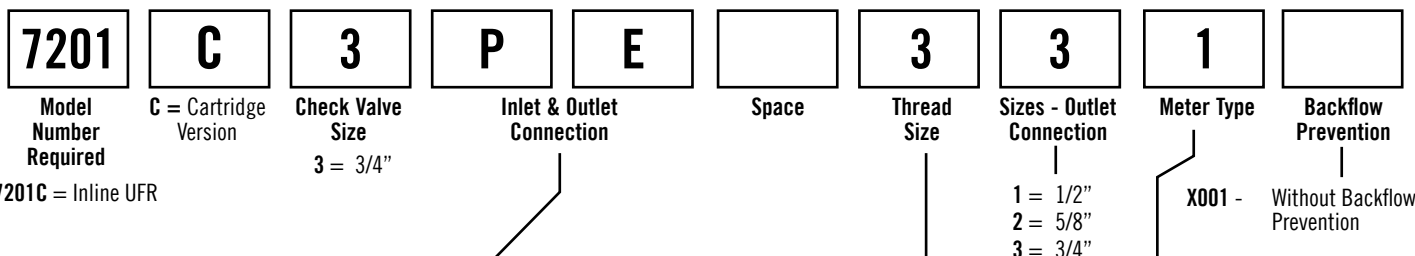
- Cast brass housing construction conforms to AWWA C-800 (latest revision)
- Self-cleaning internal Components
- Available with a wide variety of meter, threaded, or compression connections
- Available as a non-check valve where thermal expansion is an issue, add x001 to model number
- For use with Volumetric (Positive Displacement) & Multi-Jet meters
- UFR is directional



Unmeasured Flow Reducer (UFR)

How to Order

Order Model 7201C3PE 331



Inlet & Outlet Connection -

- A = Male meter thread integral
- E = FNPT Integral
- G = British Standard Pipe Thread (BSPT) Female threads - Integral
- H = Meter swivel integral with support lip
- J = Meter swivel integral without support lip
- K = K-Style male thread integral
- L = K-Style female thread integral
- P = MNPT Integral
- R = Copper flare
- S = "H" CTS integral
- T = "T" CTS integral
- U = "G" CTS integral
- V = "Q" CTS integral
- Y = Yoke style thread male integral
- 2 = "-22" CTS integral

METER SIZE	THREAD SIZED	THREAD DESIGNATION
5/8"	3/4"	3
5/8" x 3/4"	1"	4
3/4"	1"	4
1"	1 1/4"	5

For Iron Yokes use the following designation

METER SIZE	THREAD SIZE	THREAD DESIGNATION
5/8"	-	2
5/8" x 3/4"	-	3
3/4"	-	3
1"	-	4

- 1 - Volumetric Meter (V) Positive Displacement
- 2 - Multi-Jet Meter (M2) Contact factory with name of meter, manufacturer, and model number for assistance in determining appropriate UFR or see table on the following page.

7201C Straight Couplings

Unmeasured Flow Reducer (UFR)

Meter Manufacturer	Model(s)	Measurement Element	Meter Type	➔	UFR Type	UFR Marking	No Check UFR Marking
Neptune	T10	Nutating Disc	Volumetric Displacement Positive Displacement (PD)	➔	Volumetric	White Tag	White Tag - NCV
Badger	25 - 35						
Hersey	400 Series - II's						
Sensus / Rockwell	SR - SR11	Oscillating Piston					
Elster / Kent Amco	C700						
Master Meter	MMPD						
Master Meter	BLMJ - MMMJ	Multi-Jet	Velocity	➔	Multi-Jet	Blue Tag	Blue Tag - NCV
Sensus	PMM						
Elster Amco	M140 (MO-C)						
Hays	MR - MT						
Precision	PM - PMM						
Sensus	iPERL	Magnetic	Solid State	➔	N/A	N/A	N/A
Badger	E-Series	Ultrasonic					
Elster	SM-700	Fluidic Oscillation					
Actaris	MC15 - MC20	Single Jet	Velocity	➔	Contact Factory	Contact Factory	Contact Factory
		Multi-Jet (not sold in US)	Velocity		Contact Factory	Contact Factory	Contact Factory
			Velocity		Contact Factory	Contact Factory	Contact Factory
MSD - TNII					Contact Factory	Contact Factory	Contact Factory

Meter shall comply with the AWWA C700-90 accuracy requirements as specified in section 3.8 of the standard.

7201C322

-22 CTS x -22 CTS

Size	Carton PCS/WT	Price
331	10/10	\$ 198.12
331 x 001	10/10	\$ 208.38
332	10/10	\$ 198.12
332 x 001	10/10	\$ 208.38

7201C32E

-22 CTS x FNPT

Size	Carton PCS/WT	Price
331	10/10	\$ 193.25
331 x 001	10/10	\$ 203.61
332	10/10	\$ 193.25
332 x 001	10/10	\$ 203.61

7201C3E2

FNPT x -22 CTS

Size	Carton PCS/WT	Price
331	10/10	\$ 193.25
331 x 001	10/10	\$ 203.61
332	10/10	\$ 193.25
332 x 001	10/10	\$ 203.61

7201C3EE

FNPT x FNPT

Size	Carton PCS/WT	Price
331	10/10	\$ 167.77
331 x 001	10/14	\$ 178.14
332	10/11	\$ 167.77
332 x 001	10/11	\$ 178.14

7201C3EP

FNPT x MNPT

Size	Carton PCS/WT	Price
331	10/10	\$ 164.94
331 x 001	10/10	\$ 175.29
332	10/10	\$ 164.94
332 x 001	10/10	\$ 175.29

7201C3JA

Meter Swivel without
Support Lip x Male Meter Thread

Size	Carton PCS/WT	Price
441	10/10	\$ 175.83
441 x 001	10/10	\$ 186.17
442	10/10	\$ 175.83
442 x 001	10/10	\$ 186.17

7201C Straight Couplings

7201C3JE

Meter Swivel without Support Lip x FNPT

Size	Carton PCS/WT	Price
431	10/10	\$ 169.88
431 x 001	10/10	\$ 180.23
432	10/10	\$ 169.88
432 x 001	10/10	\$ 180.23

7201C3PP

MNPT x MNPT

Size	Carton PCS/WT	Price
331	10/9	\$ 169.42
331 x 001	10/9	\$ 179.77
332	10/9	\$ 169.42
332 x 001	10/9	\$ 179.77

7201C3PE

MNPT x FNPT

Size	Carton PCS/WT	Price
331	10/10	\$ 164.94
331 x 001	10/10	\$ 175.29
332	10/10	\$ 164.94
332 x 001	10/10	\$ 175.29

7201C3VV

Q CTS x Q CTS

Size	Carton PCS/WT	Price
331	10/10	\$ 198.12
331 x 001	10/10	\$ 208.47
332	10/10	\$ 198.12
332 x 001	10/10	\$ 208.47

7202 Angle Single Check & Non-Check Valve

A.Y. McDonald Mfg. 7202 Series UFR Angle Single Check Valve is an innovative design that allows low volumes of water usage (previously unmeasured by the water meter) to be measured simply by batching the usage. Studies show that 5% to 10% of total water consumption is lost due to low, unmeasured flows. This device is in service worldwide.

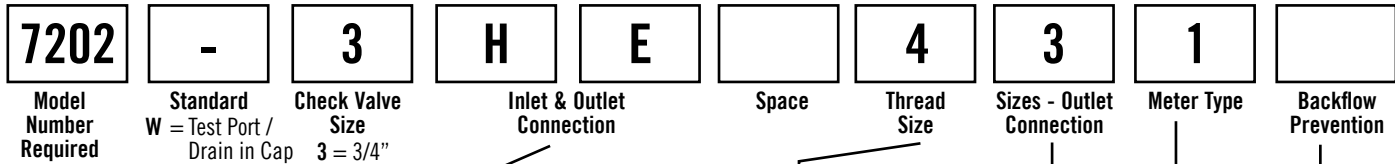
FOR 5/8", 5/8" X 3/4" & 3/4" WATER METERS

- Cast brass housing construction conforms to AWWA C-800 (latest revision)
- Self-cleaning cartridge assembly
- Available as a non-check valve where thermal expansion is an issue, add x001 to model number
- Meter swivel nut inlet with optional FNPT, CTS (G, Q, T, -22 series), and flare outlets
- For use with Volumetric (Positive Displacement) & Multi-jet meters
- Designed to be installed after the meter
- UFR is directional
- Equal to A.Y. McDonald 712 series dual check lay lengths for ease of retrofitting



How to Order

Order Model 7202-3HE 431



7202 = Angle Single UFR

Inlet & Outlet Connection -

- A = Male meter thread integral
- B = "-3G" PEP integral
- E = FNPT Integral
- G = British Standard Pipe Thread (BSPT) Female threads - integral
- H = Meter swivel integral with support lip
- I = -3H PEP integral
- J = Meter swivel integral without support lip
- K = K-Style male thread integral
- L = K-Style female thread integral
- P = MNPT integral
- R = Copper flare
- S = "H" CTS integral
- T = "T" CTS integral
- U = "G" CTS integral
- V = "Q" CTS integral
- Y = Yoke style thread male integral
- Z = "-3Q" PEP integral
- 2 = "-22" CTS integral
- 3 = "-33" PEP-7 integral
- 4 = "-44" PVC integral
- 5 = "-55" IP integral

METER SIZE	THREAD SIZED	THREAD DESIGNATION
5/8"	3/4"	3
5/8" x 3/4"	1"	4
3/4"	1"	4

For Iron Yokes use the following designation

METER SIZE	THREAD SIZE	THREAD DESIGNATION
5/8"	-	2
5/8" x 3/4"	-	3
3/4"	-	3

- 1 - Volumetric Meter (V) Positive Displacement
- 2 - Multi-Jet Meter (M2) Contact factory with name of meter, manufacturer, and model number for assistance in determining appropriate UFR or see table on the following page.

7202 Angle Single Check & Non-Check Valve

Meter Manufacturer	Model(s)	Measurement Element	Meter Type	➔	UFR Type	UFR Marking
Neptune	T10	Nutating Disc	Volumetric Displacement Positive Displacement (PD)	➔	Volumetric	White Tag
Badger	25 - 35					
Hersey	400 Series - II's					
Sensus / Rockwell	SR - SR11	Oscillating Piston		➔	Volumetric	White Tag
Elster / Kent Amco	C700					
Master Meter	MMPD					
Master Meter	BLMJ - MMMJ	Multi-Jet	Velocity	➔	Multi-Jet	Blue Tag
Sensus	PMM					
Elster Amco	M140 (MO-C)					
Hays	MR - MT					
Precision	PM - PMM					
Sensus	iPERL	Magnetic	Solid State	➔	N/A	N/A
Badger	E-Series	Ultrasonic				
Elster	SM-700	Fluidic Oscillation				
Actaris	MC15 - MC20 MSD - TN11	Single Jet	Velocity	➔	Contact Factory	Contact Factory
		Multi-Jet (not sold in US)	Velocity		Contact Factory	Contact Factory
			Velocity		Contact Factory	Contact Factory

Meter shall comply with the AWWA C700-90 accuracy requirements as specified in section 3.8 of the standard.

7202-3HE

Meter Swivel Nut with Support Lip x FNPT

Size	Carton PCS/WT	Price
331	12/19	\$ 175.25
331 x 001	12/19	\$ 185.61
332	12/19	\$ 175.25
332 x 001	12/19	\$ 185.61
431	12/19	\$ 175.25
431 x 001	12/20	\$ 185.61
432	12/19	\$ 175.25
432 x 001	12/20	\$ 185.61

7202-3JE

Meter Swivel without Support Lip x FNPT

Size	Carton PCS/WT	Price
331	12/19	\$ 175.25
331 x 001	12/19	\$ 185.61
332	12/19	\$ 175.25
332 x 001	12/19	\$ 185.61
431	12/20	\$ 175.25
431 x 001	12/20	\$ 185.61
432	12/20	\$ 175.25
432 x 001	12/20	\$ 185.61

7202-3JT

Meter Swivel Nut without Support Lip x T CTS

Size	Carton PCS/WT	Price
431	12/19	\$ 190.29

7211 Inline Dual Check

A.Y. McDonald Mfg. 7211 Series UFR Style Inline Dual Check Valve is an innovative design that allows low volumes of water usage (previously unmeasured by the water meter) to be measured simply by batching the usage. Studies show that 5% to 10% of total water consumption is lost due to low, unmeasured flows.

FOR 5/8", 5/8" X 3/4" & 3/4" WATER METERS

- Cast brass housing construction conforms to AWWA C-800 (latest revision)
- Self-cleaning cartridge assembly
- Available with a wide variety of meter, threaded, or compression connections
- Check Valve is equal to the McDonald 711 Series lay lengths for ease in retrofitting
- For use with Volumetric (Positive Displacement) & Multi-jet meters
- Designed to be installed after the meter
- UFR is directional



How to Order

Order Model 7211-3JM 431



7211
Model Number Required
7211 = Inline Dual Check with UFR

-
Standard

3
Check Valve Size
3 = 3/4"

J
Inlet & Outlet Connection

M
Space

4
Thread Size

3
Sizes - Outlet Connection
1 = 1/2" 3 = 3/4"
2 = 5/8" 4 = 1"

1
Meter Type

Inlet & Outlet Connection -

- A = Male meter thread integral
- B = Male meter thread union
- C = "-22" CTS union
- D = "G" CTS union
- E = FNPT integral
- F = FNPT union
- G = "T" CTS union
- H = Meter swivel integral with saddle nut
- J = Meter swivel integral
- K = K-Style male thread integral
- L = K-Style female thread integral
- M = MNPT union
- N = Meter female thread union
- O = "H" CTS union
- P = MNPT integral
- Q = K Style male thread union
- R = "Q" CTS union
- S = "H" CTS integral
- T = "T" CTS integral
- U = "G" CTS integral
- V = "Q" CTS integral
- W = Yoke box cradle
- Y = Yoke style thread male integral
- Z = K style female thread integral

METER SIZE	THREAD SIZED	THREAD DESIGNATION
5/8"	3/4"	3
5/8" x 3/4"	1"	4
3/4"	1"	4

For Iron Yokes use the following designation

METER SIZE	THREAD SIZE	THREAD DESIGNATION
5/8"	-	2
5/8" x 3/4"	-	3
3/4"	-	3

- 1 - Volumetric Meter (V) Positive Displacement
- 2 - Multi-Jet Meter (M2)
Contact factory with name of meter, manufacturer, and model number for assistance in determining appropriate UFR or see table on the following page.

7211 Inline Dual Check

Meter Manufacturer	Model(s)	Measurement Element	Meter Type	➔	UFR Type	UFR Marking
Neptune	T10	Nutating Disc	Volumetric Displacement Positive Displacement (PD)	➔	Volumetric	White Tag
Badger	25 - 35					
Hersey	400 Series - II's					
Sensus / Rockwell	SR - SR11	Oscillating Piston	Volumetric Displacement Positive Displacement (PD)	➔	Volumetric	White Tag
Elster / Kent Amco	C700					
Master Meter	MMPD					
Master Meter	BLMJ - MMMJ	Multi-Jet	Velocity	➔	Multi-Jet	Blue Tag
Sensus	PMM					
Elster Amco	M140 (MO-C)					
Hays	MR - MT					
Precision	PM - PMM					
Sensus	iPERL	Magnetic	Solid State	➔	N/A	N/A
Badger	E-Series	Ultrasonic				
Elster	SM-700	Fluidic Oscillation				
Actaris	MC15 - MC20 MSD - TN11	Single Jet	Velocity	➔	Contact Factory	Contact Factory
		Multi-Jet	Velocity		Contact Factory	Contact Factory
		(not sold in US)	Velocity		Contact Factory	Contact Factory

Meter shall comply with the AWWA C700-90 accuracy requirements as specified in section 3.8 of the standard.

7211-3FE

FNPT x FNPT

Size	Carton PCS/WT	Price
112	1/2	\$ 215.47
331	1/2	\$ 215.47
332	1/2	\$ 215.47

7211-3JC

Integral Meter Swivel without Support Lip x -22 CTS

Size	Carton PCS/WT	Price
331	1/3	\$ 242.03
332	1/3	\$ 242.03
431	1/3	\$ 242.03
432	1/3	\$ 242.03

7211-3JM

Integral Meter Swivel without Support Lip x MNPT

Size	Carton PCS/WT	Price
331	1/2	\$ 225.12
332	1/3	\$ 225.12
431	1/3	\$ 225.12
432	1/3	\$ 225.12

7211-3HB

Integral Meter Swivel with Meter Support Lip x Male Meter Thread Union

Size	Carton PCS/WT	Price
441	1/3	\$ 225.12
442	1/3	\$ 225.12

7211-3JF

Integral Meter Swivel without Support Lip x FNPT

Size	Carton PCS/WT	Price
312	1/2	\$ 225.12
331	1/2	\$ 225.12
332	1/2	\$ 225.12
431	1/2	\$ 225.12
432	1/2	\$ 225.12

7211-3JQ

Integral Meter Swivel without Support Lip x Q CTS

Size	Carton PCS/WT	Price
331	1/3	\$ 228.22
332	1/3	\$ 228.22
431	1/2	\$ 228.70
432	1/3	\$ 228.70

7211-3JB

Integral Meter Swivel without Meter Support Lip x Male Meter Thread Union

Size	Carton PCS/WT	Price
441	1/2	\$ 225.12
442	1/2	\$ 225.12

7211-3JG

Integral Meter Swivel without Support Lip x T CTS

Size	Carton PCS/WT	Price
331	1/3	\$ 242.03
332	1/3	\$ 242.03
431	1/3	\$ 242.03
432	1/3	\$ 242.03

7211-3FP

FNPT Union x FNPT Integral

Size	Carton PCS/WT	Price
331	1/2	\$ 215.47

7211 Inline Dual Check

Unmeasured Flow Reducer (UFR)

7211-3ME

MNPT Union x FNPT

Size	Carton PCS/WT	Price
332	1/2	\$ 215.47

7211-3NA

Female Meter Thread Union x
Male Meter Thread

Size	Carton PCS/WT	Price
331	1/2	\$ 215.47
332	1/2	\$ 215.47
431	1/2	\$ 215.47
432	1/2	\$ 215.47
441	1/2	\$ 215.47
442	1/2	\$ 215.47

7211-3MP

MNPT x MNPT

Size	Carton PCS/WT	Price
331	1/2	\$ 211.34
332	1/2	\$ 211.34

7211-3NP

Female Meter Thread Union x
MNPT Integral

Size	Carton PCS/WT	Price
431	1/2	\$ 215.47
441	1/2	\$ 215.47
442	1/2	\$ 215.47

7212 Angle Dual Check

A.Y. McDonald Mfg. 7212 Series UFR Style Angle Dual Check Valve is an innovative design that allows low volumes of water usage (previously unmeasured by the water meter) to be measured simply by batching the usage. Studies show that 5% to 10% of total water consumption is lost due to low, unmeasured flows. This device is in service worldwide.

FOR 5/8", 5/8" X 3/4" & 3/4" WATER METERS

- Cast brass housing construction conforms to AWWA C-800 (latest revision)
- Self-cleaning cartridge assembly
- Check valve is equal to the McDonald 7112 Series lay lengths for ease in retrofitting
- Meter swivel nut inlet with optional FNPT, CTS (G, Q, T, -22 series), and flare outlets
- Can be incorporated in to any settings that currently accept our 7112 series angle dual check valve configuration
- For use with Volumetric (Positive Displacement) & Multi-Jet meters
- Designed to be installed after the meter
- UFR is directional



Unmeasured Flow Reducer (UFR)

How to Order

Order Model 7212-3HE 431



7212 = Angle Dual Check with UFR

Standard
W = Test Port / Drain in Cap

Check Valve Size
3 = 3/4"

Inlet & Outlet Connection

Space

Thread Size

Sizes - Outlet Connection
3 = 3/4"

Meter Type

- Inlet & Outlet Connection -**
B = "-3G" PEP integral
E = FNPT integral
H = Meter swivel integral with saddle nut
I = "-3H" PEP integral
J = Meter swivel integral
Q = "Q" CTS integral
R = Copper flare integral
S = "H" CTS integral
T = "T" CTS integral
U = "G" CTS integral
Y = Iron yoke male thread integral
Z = "-3Q" PEP integral
2 = "-22" CTS integral

METER SIZE	THREAD SIZED	THREAD DESIGNATION
5/8"	3/4"	3
5/8" x 3/4"	1"	4
3/4"	1"	4
1"	1 1/4"	5

For Iron Yokes use the following designation

METER SIZE	THREAD SIZE	THREAD DESIGNATION
5/8"	-	2
5/8" x 3/4"	-	3
3/4"	-	3
1"	-	4

- 1 - Volumetric Meter (V) Positive Displacement
- 2 - Multi-Jet Meter (M2)
Contact factory with name of meter, manufacturer, and model number for assistance in determining appropriate UFR or see table on the following page.

Unmeasured Flow Reducer (UFR)

7212 Angle Dual Check

Unmeasured Flow Reducer (UFR)

Meter Manufacturer	Model(s)	Measurement Element	Meter Type	➔	UFR Type	UFR Marking
Neptune	T10	Nutating Disc	Volumetric Displacement Positive Displacement (PD)	➔	Volumetric	Model # on tag
Badger	25 - 35					
Hersey	400 Series - II's					
Sensus / Rockwell	SR - SR11					
Elster / Kent Amco	C700					
Master Meter	MMPD	Oscillating Piston				
Master Meter	BLMJ - MMMJ	Multi-Jet	Velocity	➔	Multi-Jet	Model # on tag
Sensus	PMM					
Elster Amco	M140 (MO-C)					
Hays	MR - MT					
Precision	PM - PMM					
Sensus	iPERL	Magnetic	Solid State	➔	N/A	N/A
Badger	E-Series	Ultrasonic				
Elster	SM-700	Fluidic Oscillation				
Actaris	MC15 - MC20	Single Jet	Velocity	➔	Contact Factory	Contact Factory
		Multi-Jet	Velocity		Contact Factory	Contact Factory
		(not sold in US)	Velocity		Contact Factory	Contact Factory

Meter shall comply with the AWWA C700-90 accuracy requirements as specified in section 3.8 of the standard.

7212-3HE

Meter Swivel Nut with
Support Lip x FNPT

Size	Carton PCS/WT	Price
331	6/15	\$ 232.14
332	6/15	\$ 232.14
431	6/12	\$ 232.14
432	6/11	\$ 232.14

7212-3JE

Meter Swivel Nut without
Support Lip x FNPT

Size	Carton PCS/WT	Price
331	6/15	\$ 232.14
332	6/15	\$ 232.14
431	6/14	\$ 232.14
432	6/11	\$ 232.14

7214 Inline Accessible Dual Check

A.Y. McDonald Mfg. 7214 Series UFR Style Inline Accessible Dual Check Valve is an innovative design that allows low volumes of water usage (previously unmeasured by the water meter) to be measured simply by batching the usage. Studies show that 5% to 10% of total water consumption is lost due to low, unmeasured flows. This device is in service worldwide.

FOR 5/8", 5/8" X 3/4" & 3/4" WATER METERS

- Cast brass housing construction conforms to AWWA C-800 (latest revision)
- Self-cleaning cartridge assembly
- Check valve is equal to the McDonald 7111 Series lay lengths for ease in retrofiting
- Meter swivel nut inlet with optional FNPT, CTS (G, Q, T, -22 series), & Flare outlets
- Available with a wide variety of meter, threaded or compression connections
- Offers access to the individual cartridge checks without disturbing the piping system on which it is installed
- Top cap on check valve is sealed with an EPDM O-ring and allows easy access to check cartridges
- For use with Volumetric (Positive Displacement) & Multi-Jet meters
- Designed to be installed after the meter
- UFR is directional



How to Order

Order Model 7214-3JE 431



7214 = Inline Accessible Dual Check with UFR

- Inlet & Outlet Connection -**
- E = FNPT Integral
 - G = "G" CTS integral
 - H = Meter swivel integral with saddle nut
 - J = Meter swivel integral
 - K = K Style male thread integral
 - P = MNPT integral
 - Q = "Q" CTS integral
 - T = "T" CTS integral
 - Y = Iron yoke male thread integral
 - 2 = "-22" CTS integral

METER SIZE	THREAD SIZED	THREAD DESIGNATION
5/8"	3/4"	3
5/8" x 3/4"	1"	4
3/4"	1"	4
1"	1 1/4"	5

For Iron Yokes use the following designation

METER SIZE	THREAD SIZE	THREAD DESIGNATION
5/8"	-	2
5/8" x 3/4"	-	3
3/4"	-	3
1"	-	4

1 = 1/2" 3 = 3/4"
2 = 5/8" 4 = 1"

- 1 - Volumetric Meter (V) Positive Displacement
- 2 - Multi-Jet Meter (M2) Contact factory with name of meter, manufacturer, and model number for assistance in determining appropriate UFR or see table on the following page.

7214 Inline Accessible Dual Check

Unmeasured Flow Reducer (UFR)

Meter Manufacturer	Model(s)	Measurement Element	Meter Type	➔	UFR Type	UFR Marking
Neptune	T10	Nutating Disc	Volumetric Displacement Positive Displacement (PD)	➔	Volumetric	White Tag
Badger	25 - 35					
Hersey	400 Series - II's					
Sensus / Rockwell	SR - SR11	Oscillating Piston				
Elster / Kent Amco	C700					
Master Meter	MMPD					
Master Meter	BLMJ - MMMJ	Multi-Jet	Velocity	➔	Multi-Jet	Blue Tag
Sensus	PMM					
Elster Amco	M140 (MO-C)					
Hays	MR - MT					
Precision	PM - PMM					
Sensus	iPERL	Magnetic	Solid State	➔	N/A	N/A
Badger	E-Series	Ultrasonic				
Elster	SM-700	Fluidic Oscillation				
Actaris	MC15 - MC20 MSD - TNII	Single Jet	Velocity	➔	Contact Factory	Contact Factory
		Multi-Jet	Velocity		Contact Factory	Contact Factory
		(not sold in US)	Velocity		Contact Factory	Contact Factory

Meter shall comply with the AWWA C700-90 accuracy requirements as specified in section 3.8 of the standard.

7214-3JE

Integral Meter Swivel Nut without Support Lip x FNPT

Size	Carton PCS/WT	Price
331	12/31	\$ 237.84
332	12/31	\$ 237.84
431	12/28	\$ 237.84
432	12/28	\$ 237.84

7214-3JP

Integral Meter Swivel Nut without Support Lip x MNPT

Size	Carton PCS/WT	Price
331	12/30	\$ 237.84
332	12/30	\$ 237.84
431	12/28	\$ 237.84
432	12/24	\$ 237.84

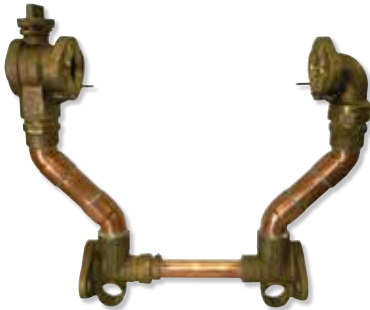
7214-3JQ

Integral Meter Swivel Nut without Support Lip x Q CTS Compression

Size	Carton PCS/WT	Price
431	12/24	\$ 252.32
432	12/24	\$ 252.32



Copper Meter Resettlers



Copper Meter Resettlers

Water Works Catalog / Price List - July 2017

MORE THAN A BRAND. WE'RE A FAMILY.

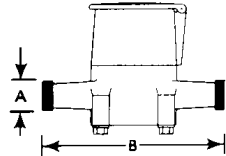
710 Series

The A.Y. McDonald Meter Resetter is a unique and patented product designed to easily retrofit existing meter installations to include a dual check backflow preventer, or pressure relief valve. This is accomplished without the high risk of cutting into old service lines, or the expensive process of digging up and replacing existing meter boxes or pits. This retrofitting can be easily performed in even the most confined meter boxes.



Before

NOTE: Meter box sold separately



Meter Dimensions

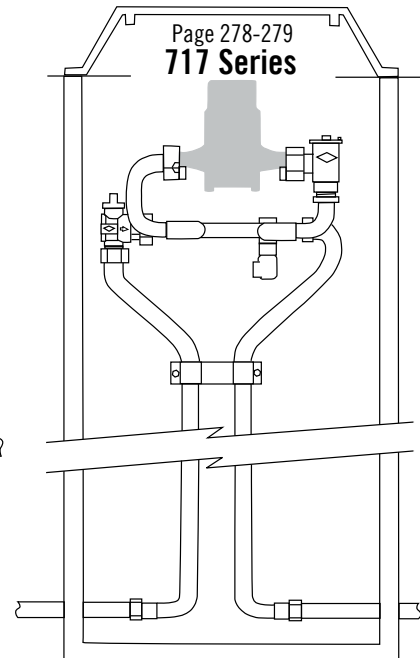
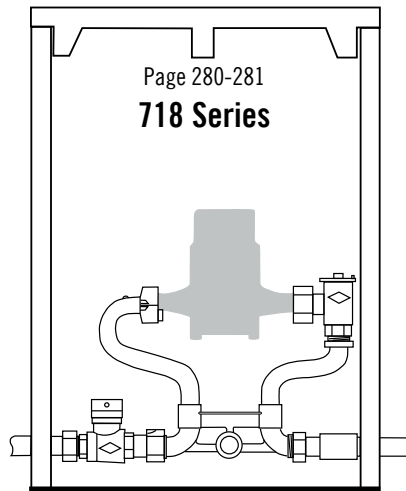
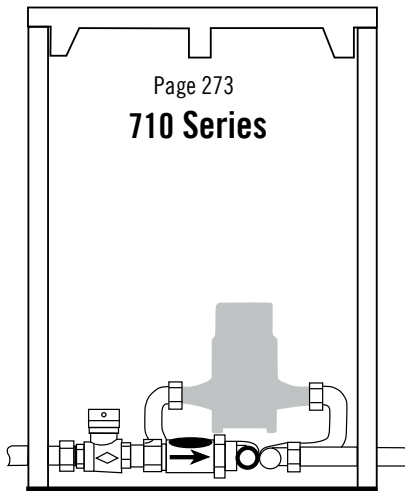
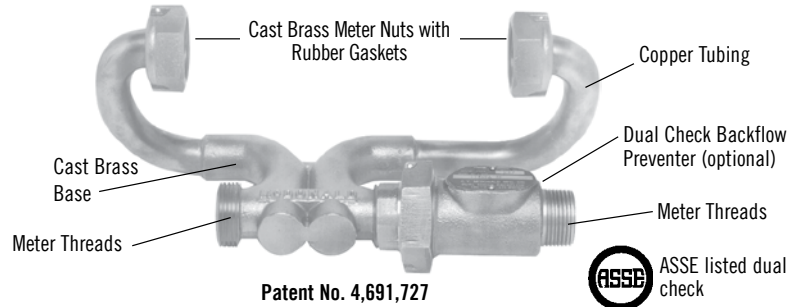
METER SIZE	5/8"	5/8" x 3/4"	3/4"
A-Meter Threads	3/4"	1"	1"
B-Lay Length	7½"	7½"	9"
A.Y. McDonald Spacing*	7 ¹³ / ₁₆ "	7 ¹³ / ₁₆ "	9 ⁵ / ₁₆ "



After

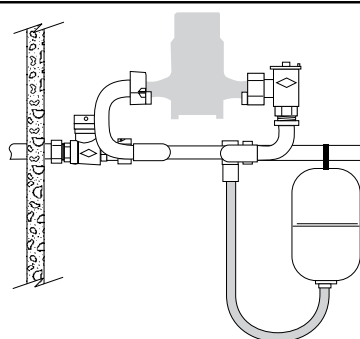
NOTE: Meter box sold separately

Available for 5/8", 5/8" x 3/4", or 3/4" meters



717-204XDCA

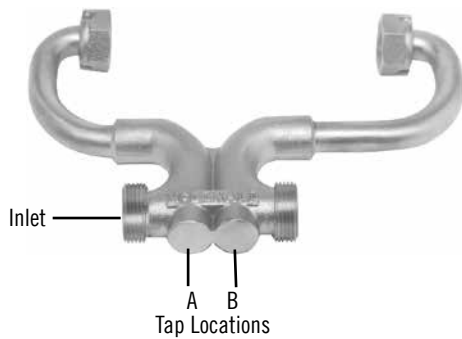
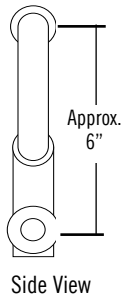
Series 717 with Backflow Preventer and Thermal Expansion Tank (Tank and hose must be purchased separately).



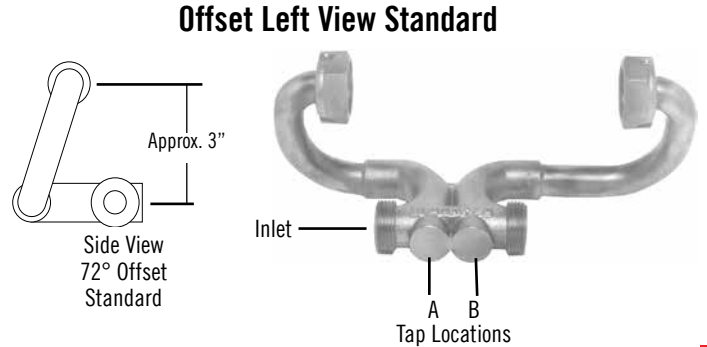
717-204XDCC

Series 717 used to retrofit existing high rise meter pit and standard meter resetter with backflow preventer and pressure relief valve.

710 Series



Model 710-106NN - - X72



Model 710-103NN - - X72

710	-	1	06	N	N	-	-		X72
Series 710	Dash = Standard	Meter Size 1 = 5/8" 2 = 5/8"x3/4" 3 = 3/4"	Height 3" 6"	Inlet Valve N = No valve (meter nut only without saddle) Q = Lockwing ball valve (without saddle)	Outlet Valve	Bottom Bar Options	1/2" Bottom Bar Tap	Space	Tube Offset
						<ul style="list-style-type: none"> - = No option C = Dual check on inlet H = Dual check on outlet J = Adapter idler (sized to fit meter) 	<ul style="list-style-type: none"> - = No tap A = Tap inlet, no plug B = Tap outlet, no plug L = Tap inlet, 125# PRV D = Tap outlet, 125# PRV E = Tap inlet, 175# PRV F = Tap outlet, 175# PRV G = Tap inlet, with plug H = Tap outlet, with plug S = Sampling Station (Inlet is city side, outlet is house side) 		

*For angle ball valves integral to resetter, contact factory.
- Resetters with cross-over meter sizes are available, contact factory.

Copper Meter Resetters

Ordering Options Separately



Dual Check Backflow Preventer (Inlet side)
Inlet: Male meter thread
Outlet: Female meter thread (union)
711-3AN 33 For 5/8" meter \$ 96.36 **
711-3AN 44 For 5/8"x3/4" and 3/4" meter...\$ 96.36 **



Dual Check Backflow Preventer (Outlet side)
Inlet: Female meter thread (union)
Outlet: Male meter thread
711-3NA 33 For 5/8" meter \$ 96.36 **
711-3NA 44 For 5/8"x3/4" and 3/4" meter...\$ 96.36 **



Pressure Relief Valve
 1/2" MNPT thread
710P125 125 lb. rated \$ 44.44
710P175 175 lb. rated \$ 48.44



Plug
73208 1/2" \$ 11.74 **



710J11
5/8" Meter Adapter Idler \$ 52.96
 3 3/4" long with gasket, adapts basic 710 Series unit (less backflow preventer) to 7 1/2" laying length 5/8" meter



710J22
5/8"x3/4" Meter Adapter Idler \$ 55.86
 3 3/4" long with gasket, adapts basic 710 Series unit (less backflow preventer) to 7 1/2" laying length 5/8 X 3/4" meter



Both Required for 710-3
710J23
Meter Adapter Idler \$ 16.93
 1 1/2" long with gasket. Use with 710 Series unit and backflow preventer to increase laying length 3/4" meter

Copper Meter Resetters

5/8"

SIZE	PRICE	CARTON PCS / WT
710-103NN-- X72 MSR STYLE RESETER	\$ 121.44 **	8/ 23
710-103NN-L X72 MSR STYLE RESETER	\$ 183.96 **	8/ .0
710-103NNC- X72 MSR STYLE RESETER	\$ 232.10 **	8/ 32
710-103NNH- X72 MSR STYLE RESETER	\$ 217.79 **	8/ 31
710-103NNJ- X72 MSR STYLE RESETER	\$ 177.22	8/ 24
710-103NNCD X72 MSR STYLE RESETER	\$ 294.64	8/ 32
710-103NNHA X72 MSR STYLE RESETER	\$ 234.44 **	8/ 36
710-103NNHL X72 MSR STYLE RESETER	\$ 294.64	8/ .0
710-103NNJA X72 MSR STYLE RESETER	\$ 181.21 **	8/ 28
710-103NNJL X72 MSR STYLE RESETER	\$ 239.72	8/ .0
710-103QNH- X72 MSR STYLE RESETER	\$ 419.30 **	5/ 23

5/8"

710-106NN-- MSR STYLE RESETER	\$ 121.44 **	5/ 17
710-106NN-L MSR STYLE RESETER	\$ 183.96	5/ .0
710-106NNC- MSR STYLE RESETER	\$ 232.10	5/ 21
710-106NNH- MSR STYLE RESETER	\$ 217.79 **	5/ 20
710-106NNJ- MSR STYLE RESETER	\$ 177.22	5/ .0
710-106NNCD MSR STYLE RESETER	\$ 294.64	5/ 27
710-106NNHL MSR STYLE RESETER	\$ 294.64	5/ .0
710-106NNJL MSR STYLE RESETER	\$ 239.72	5/ .0

5/8" x 3/4"

710-203NN-- X72 MSR STYLE RESETER	\$ 121.44 **	8/ 19
710-203NN-A X72 MSR STYLE RESETER	\$ 125.36 **	8/ 25
710-203NN-A X90 MSR STYLE RESETER	\$ 125.36	8/ 24

5/8" x 3/4"

SIZE	PRICE	CARTON PCS / WT
710-203NN-B X72 MSR STYLE RESETER	\$ 125.36	8/ 20
710-203NN-L X72 MSR STYLE RESETER	\$ 183.96	8/ 27
710-203NNC- X72 MSR STYLE RESETER	\$ 232.10 **	8/ 38
710-203NNCB X72 MSR STYLE RESETER	\$ 235.97	8/ 37
710-203NNCD X72 MSR STYLE RESETER	\$ 294.64	8/ 35
710-203NNH- X72 MSR STYLE RESETER	\$ 217.79	8/ 31
710-203NNHA X72 MSR STYLE RESETER	\$ 235.97 **	8/ 32
710-203NNHB X72 MSR STYLE RESETER	\$ 235.97	8/ 32
710-203NNHL X72 MSR STYLE RESETER	\$ 294.64	8/ 59
710-203NNJ- X72 MSR STYLE RESETER	\$ 177.22 **	8/ 31
710-203NNJA X72 MSR STYLE RESETER	\$ 181.21 **	8/ 28
710-203NNJL X72 MSR STYLE RESETER	\$ 239.72	8/ 26
710-203NQCD X72 MSR STYLE RESETER	\$ 362.69	5/ 35
710-203QNH- X72 MSR STYLE RESETER	\$ 279.60 **	5/ 30
710-203QNHA X72 MSR STYLE RESETER	\$ 302.42	5/ 33
710-203QN-G X72 MSR STYLE RESETER	\$ 212.67	5/ 20
710-206NN-- MSR STYLE RESETER	\$ 121.44 **	5/ 10
710-206NNC- MSR STYLE RESETER	\$ 232.10	5/ 21

5/8" x 3/4"

710-206NN-- MSR STYLE RESETER	\$ 121.44 **	5/ 10
710-206NNC- MSR STYLE RESETER	\$ 232.10	5/ 21

5/8" x 3/4"

SIZE	PRICE	CARTON PCS / WT
710-206NNCB MSR STYLE RESETER	\$ 235.97	5/ 23
710-206NNCD MSR STYLE RESETER	\$ 294.64	5/ 22
710-206NNH- MSR STYLE RESETER	\$ 232.10 **	5/ 22
710-206NNHL MSR STYLE RESETER	\$ 294.64	5/ .0
710-206NNJ- MSR STYLE RESETER	\$ 177.22	5/ 18
710-206NNJL MSR STYLE RESETER	\$ 239.72	5/ .0
710-206NQC- MSR STYLE RESETER	\$ 303.22	5/ 28
710-206NQCD MSR STYLE RESETER	\$ 362.69	5/ 35
710-206QNH- MSR STYLE RESETER	\$ 303.22	5/ 30

3/4"

710-303NN-- X72 MSR STYLE RESETER	\$ 137.11	8/ 24
710-303NN-L X72 MSR STYLE RESETER	\$ 199.67	8/ 32
710-303NNC- X72 MSR STYLE RESETER	\$ 247.76 **	8/ 42
710-303NNCD X72 MSR STYLE RESETER	\$ 310.30	8/ 44
710-303NNH- X72 MSR STYLE RESETER	\$ 247.76 **	8/ 40
710-303NNHA X72 MSR STYLE RESETER	\$ 267.82 **	8/ 37
710-303NNHL X72 MSR STYLE RESETER	\$ 310.30	8 .0
710-303NNJ- X72 MSR STYLE RESETER	\$ 192.97	8/ .0
710-303NNJA X72 MSR STYLE RESETER	\$ 203.15	8/ 28
710-303NNJL X72 MSR STYLE RESETER	\$ 255.35	8/ .0

3/4"

710-306NN-- MSR STYLE RESETER	\$ 137.11	5/ 15
710-306NN-L MSR STYLE RESETER	\$ 199.67	5/ .0
710-306NNC- MSR STYLE RESETER	\$ 247.76	5/ 25

3/4"

SIZE	PRICE	CARTON PCS / WT
710-306NNCD MSR STYLE RESETER	\$ 310.30	5/ .0
710-306NNH- MSR STYLE RESETER	\$ 247.76 **	5/ 25
710-306NNHL MSR STYLE RESETER	\$ 310.30	5/ .0
710-306NNJ- MSR STYLE RESETER	\$ 192.97	5/ .0
710-306NNJL MSR STYLE RESETER	\$ 255.35	5/ .0
710-306QN-- MSR STYLE RESETER	\$ 205.23	5/ 20

Sampling Station

A.Y. McDonald offers a variety of water Sampling Stations to include meter resetting devices for 5/8", 5/8" x 3/4", 3/4" and 1" meter sets along with a Dead End Line option. The basic sampling station meter re-setter is compact enough to fit in most meter boxes and allows a sampling station to be added wherever you have access to a meter set. These meter resetters provide a sampling point on public right-of-way; options for additional shut off valves, and/or dual check valves for backflow protection. Its below grade design provides protection from freezing, vandals and traffic. Simple to install, no digging or plumbing is required.

The sampling portion of these re-setters is protected from contaminants by a PVC cap and o-ring seal. Once the cap is removed, it allows you access to a quick connect valve for taking water samples with our sampling rod faucet. The sampling rod faucet is made of stainless steel and no-lead brass and includes a no-lead shut off valve. It also includes a pressure gauge for determining line pressure at the point of sample, up to 160 PSIG. The quick disconnect is protected from contaminants via o-ring seal and PVC cap. A water sample is drawn by connecting the male quick connect on the sampling rod to the female quick connect on the sampling re-setter.

710-103/203

5/8" or 5/8" x 3/4" Meter Resetter, 3" Height with In-Line Dual Cartridge Check Valve and tube set at 72° angle with Quick Connect Valve and ABS Plastic Dirt Cap



Model	Size	Carton PCS/WT	Price
710-103NNHS X72	5/8"	1/6	\$ 758.10
710-203NNHS X72	5/8" x 3/4"	1/5	\$ 726.86



710-303

3/4" Meter Resetter, 3" Height with In-Line Dual Cartridge Check Valve and tube set at 72° angle with Quick Connect Valve and ABS Plastic Dirt Cap

Model	Size	Carton PCS/WT	Price
710-303NNHS X72	3/4"	1/6	\$ 838.38

717-406WDAS X60

1" Meter Resetter, 6" Height with Angle Ball Valve, Dual Cartridge Check Valve and tube set at 60° angle with Quick Connect Valve and ABS Plastic Dirt Cap

Model	Size	Carton PCS/WT	Price
717-406WDAS X60	1"	1/12	\$ 1,463.39

717-406XDAS X60

1" Meter Resetter, 6" Height with Angle Dual Cartridge Check Valve and tube set at 60° angle with Quick Connect Valve and ABS Plastic Dirt Cap

Model	Size	Carton PCS/WT	Price
717-406XDAS X60	1"	1/9	\$ 1,332.35



717-406XXAS X60

1" Meter Resetter, 6" Height with tube set at 60° angle with Quick Connect Valve and ABS Plastic Dirt Cap

Model	Size	Carton PCS/WT	Price
717-406XXAS X60	1"	1/9	\$ 978.17

710SSFAUCET 3/4"

Sampling Faucet Assembly with Stainless Steel and No-Lead Components, Male Quick Connect, Shut Off Valve, Pressure Gauge (0-160 PISG) and PVC Quick Connect Deactivator.

Model	Carton PCS/WT	Price
710SSFAUCET 3/4"	1/2	\$ 412.41

710SSFAUCET 3/4" x780

Sampling Faucet Assembly with Stainless Steel and No-Lead Components, Male Quick Connect Thread Type, Shut Off Valve, Pressure Gauge (0-160 PISG) and PVC Quick Connect Deactivator.

Model	Carton PCS/WT	Price
710SSFAUCET 3/4" x780		\$ 412.41



Sampling Station



710SSDEA

Dead End Unit to include 3/4" FNPT Union x Quick Connect Dual Check Valve, PVC Mounting Stake and ABS Plastic Dirt Cap with O-Ring

Model	Carton PCS/WT	Price
710SSDEA	1/4	\$ 562.59



710SSCAP

ABS Plastic Dirt Cap

Model	Carton PCS/WT	Price
710SSCAP	2/1	\$ 42.73

710SSOR

Dirt Cap O-ring

Model	Carton PCS/WT	Price
710SSOR	10/1	\$ 7.41

710SSGAGE

Sampling Faucet Pressure Gauge (0-160 PSIG)

Model	Carton PCS/WT	Price
710SSGAGE	10/2	\$ 39.24

710SSQC

Brass Elbow and Quick Connect Valve Assembly

Model	Carton PCS/WT	Price
710SSQC	1/1	\$ 262.42

710SSQCM

Sampling Faucet Male Quick Disconnect

Model	Carton PCS/WT	Price
710SSQCM	10/3	\$ 50.58

710SSDESM

PVC Mounting Stake

Model	Carton PCS/WT	Price
710SSDESM	1/1	\$ 47.02

710-203NNHS x72

Meter Resetter Sampling Station with Quick Connection



Model	Carton PCS/WT	Price
710-203NNHS x72		\$ 726.86

710-203NNHS x72x780

Meter Resetter Sampling Station with Stainless Steel Quick Connection



Model	Carton PCS/WT	Price
710-203NNHS x72 x780		\$ 726.86

74754-SMP 3/4"

Adapter FNPT x Quick Connect



Model	Carton PCS/WT	Price
74754-SMP 3/4"		\$ 466.24

74754-SMP 3/4" x 780

Adapter FNPT x Stainless Steel Thread Connect



Model	Carton PCS/WT	Price
74754-SMP 3/4" x 780		\$ 466.24

710SSCASE

Sampling Faucet PVC Case

Model	Carton PCS/WT	Price
710SSCASE	1/9	\$ 183.12

76101W-SMP 3/4"

Ball Curb FNPT x Quick Connect



Model	Carton PCS/WT	Price
76101WSMP 3/4"		\$ 553.77

76101W-SMP 3/4" x 780

Ball Curb FNPT x Stainless Steel Thread Connect



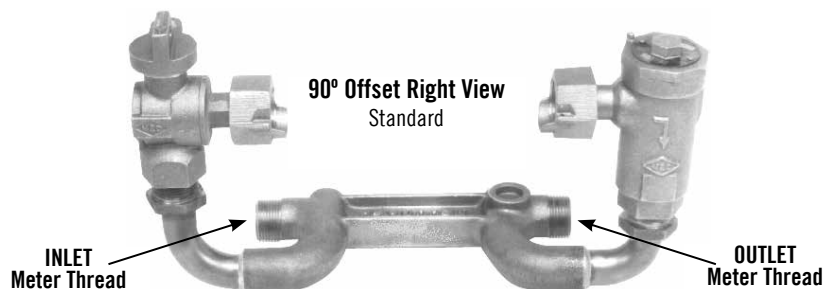
Model	Carton PCS/WT	Price
76101WSMP 3/4" x 780		\$ 553.77

717 Series

Low Rise Style Resetter

90° tubing to bottom bar is standard, contact factory for other options.

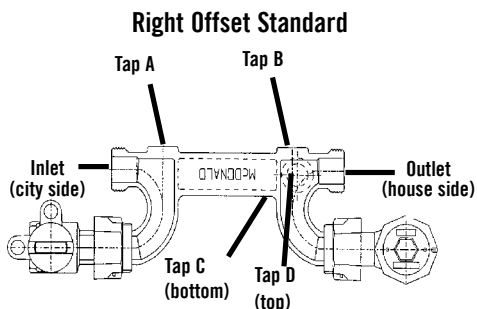
The A.Y. McDonald 717 Series low rise resetter allows you to reset a meter incorporating an inlet or outlet shut off valve or check valve. It also offers several options for taps to incorporate pressure relief valves or sampling valves before or after the meter. Ninety degree tubing to bottom bar is standard, other options are available (contact factory for information).



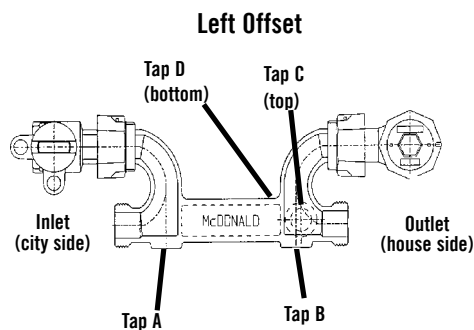
Model 717-204WD - -

717	-	2	04	W	D	-	-	
Series	Style	Meter Size	Meter Height	Inlet Valve	Outlet Valve	Bottom Bar Tap Location	FNPT Bottom Bar Tap	Optional Offset
717	- = Standard X = Offset Left For crossed sized meter sets A = 5/8" (Standard) B = 5/8" x 3/4" (Standard) C = 3/4" (Standard) U = 5/8" (Offset Left) V = 5/8" x 3/4" (Offset Left) W = 3/4" (Offset Left)	1 = 5/8" 2 = 5/8" x 3/4" 3 = 3/4" 4 = 1"	4" (5/8", 5/8" x 3/4", 3/4" meters) 6" (1" meters) Additional heights available, contact factory	C = 3/4" & 1" Port Angle Single Check Valve D = 3/4" Port Angle Dual Check Valve (ASSE 1024) L = Angle lockwing Plug valve J = 3/4" & 1" Port Angle Lockwing Ball Valve M = 1" Port Angle Dual Check Valve (ASSE 1024) W = Standard Port Angle Lockwing Ball Valve X = Flanged Tubing with Meter Nut For other special meter connections, contact factory.		- = No Tap A = Inlet B = Outlet C = Outlet D = Outlet See chart below for tap position	- = No tap A = 1/2" FNPT - no plug B = 1/2" FNPT - with brass square head plug C = 1/2" FNPT - 125# PRV D = 3/4" FNPT - no plug (only 1" resetter) E = 3/4" FNPT - with brass square head plug (only 1" resetter)	X45 = 45° X60 = 60° X180 = 180°

Tap Position Options



Put "-" In Model Number



Put "X" In Model Number

Series 717 is typically viewed from the inlet side, and is fabricated as a "right offset" (see photo above and at right). This is critical when considering tap locations. Left offset is available upon special request - contact factory.

OPTIONS

- Assemblies shipped with two 1/8" EPDM rubber meter gaskets.
- Not all combinations available, contact factory with your requirements.

- MOST METER SETTERS ARE MADE TO ORDER AND ARE NOT RETURNABLE.
- Please verify with the factory that the model number you have configured is available and meets your requirements.

717 Series

FOR 5/8", 5/8" X 3/4", 3/4", OR 1" METERS

LOW RISE HORIZONTAL IN/OUT METER RESETTERS



5/8" Meter Size	Carton PCS/WT	Price	5/8" x 3/4" Meter Size	Carton PCS/WT	Price	3/4" Meter Size	Carton PCS/WT	Price	1" Meter Size	Carton PCS/WT	Price
717-104WX--	6/35	\$ 170.11	717-204WX--	6/27	\$ 170.11	717-304WX--	6/28	\$ 181.81	717-406WX--	3/27	\$ 417.72

Contact Factory for the following:

1. Cross size resetters available.
 2. 60°, 45°, 180° tube rotation available.
 3. Test/PRV taps available.
 4. Stainless steel or brass handles assembled to ball valves available
 5. Pentagon plug test valve on check valve available
 6. Left offset is available upon special request
 6. LESS CHECK / 360° TURN OPERATING HEAD, less check on ball valve, **Add \$ 2.18**
- Contact Factory for pricing

NOTES: - Meter nuts with saddle, wire seal hose, and angle ball valves with locking are standard.
 - Series 717 is typically viewed from the inlet side, and is fabricated as a "right offset" (see diagram shown below). This is critical when considering tap locations.
 - Thermal expansion tank and hose available, contact factory.

Tap Options	Price
A - 1/2" tap - no plug	\$ 10.19
B - 1/2" tap - with brass sq. head plug	\$ 18.63
C - 1/2" tap - with 125 lb. pressure relief valve	\$ 58.53
D - 3/4" tap - no plug (only on 1" resetters)	\$ 13.54
E - 3/4" tap - with brass sq. head plug (only on 1" resetters)	\$ 23.66
F - 1/4" tap - no plug	\$ 10.19
G - 1/2" tap x 3/4" NPSM Adaptor - no plug	\$ 31.45

Single Setter (with Saddle Nut)

		1	2	3	4
Options - add or subtract from base setter model		5/8"	5/8" x 3/4"	3/4"	1"
Standard Ball Valve	W	\$ 61.80	\$ 61.80	\$ 61.80	\$ 124.02
Full Port Ball Valve	J	\$ 112.86	\$ 112.86	\$ 112.86	\$ 170.02
Plug Valve	L	\$ 50.86	\$ 50.86	\$ 50.86	\$ 77.98
Dual Check - ASSE	D	\$ 112.97	\$ 112.97	\$ 112.97	\$ 107.14
Dual Check - ASSE - Full Port	M	N/C	N/C	N/C	\$ 196.08
Dual Check - Cascading (* adds x992 to end of model)	D*	\$ 103.09	\$ 103.09	\$ 103.09	\$ 107.15
Meter Swivel Nut	X	N/C	N/C	N/C	N/C
Additional height in 3" increments	X	\$ 6.91	\$ 6.91	\$ 9.53	\$ 11.07

NOTES: - 12" minimum height for 1" setter with dual check
 - Horizontal bracing eye, wire seal hole and locking are standard.
 - **N/C** = No additional charge.

Contact Factory for the following options:

1. Handles for ball valves
2. Test cap on check valves
4. 360° turn valve cap (less check)

Tandem Setter (less Saddle Nut)

Change model from 720 series to 75 series

		1	2	3	4
Options - add or subtract from base setter model		5/8"	5/8" x 3/4"	3/4"	1"
Standard Ball Valve	Q	\$ 61.80	\$ 61.80	\$ 61.80	\$ 124.02
Full Port Ball Valve	K	\$ 112.86	\$ 112.86	\$ 112.86	\$ 170.02
Plug Valve	G	\$ 50.86	\$ 50.86	\$ 50.86	\$ 77.98
Dual Check - ASSE	F	\$ 112.97	\$ 112.97	\$ 112.97	\$ 107.14
Dual Check - ASSE - Full Port	P	N/C	N/C	N/C	\$ 196.08
Dual Check - Cascading (* adds x992 to end of model)	F*	\$ 103.09	\$ 103.09	\$ 103.09	\$ 107.15
Meter Swivel Nut	N	N/C	N/C	N/C	N/C
Height adder	7" - 9"	\$ 121.72	\$ 130.05	\$ 158.11	--
	12"	\$ 121.72	\$ 130.05	\$ 159.11	\$ 237.46
	15"	\$ 107.01	\$ 115.29	\$ 144.41	\$ 237.46
	18" - 21"	\$ 110.47	\$ 118.85	\$ 147.95	\$ 237.46
	24"	\$ 110.47	\$ 118.85	\$ 147.95	\$ 249.25

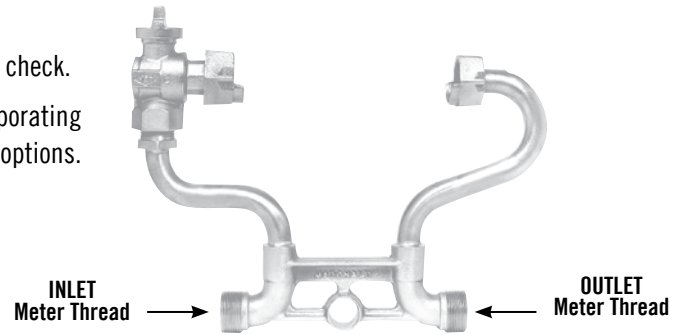
Tandem Setters or resetters include (2) 74619 connections and "S" tube with meter swivel nuts

718 Series

Horizontal Style Resetter

Minimum 10" height on 1" resetters, or 12" on 1" resetter with angle dual check.

The A.Y. McDonald 718 horizontal resetter allows you to reset a meter incorporating an inlet or outlet shut off valve or check valve while offering several height options. Depending on valve configurations, minimum heights may vary.

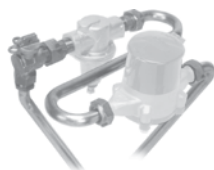


Model 718-207WX

718	-	2	07	W	X	 Contact Factory for pricing
Series	Style	Meter Size	Meter Height	Inlet Valves	Outlet Valves	
718	- = Standard 13/16 Tube 5/8", 5/8" x 3/4", 3/4" 1 1/8 tube 1"	1 = 5/8" 2 = 5/8" x 3/4" 3 = 3/4" 4 = 1"	07" (5/8", 5/8" x 3/4", 3/4" meters only) 09" (5/8", 5/8" x 3/4", 3/4" meters only)			
	For crossed sized meter sets A = 5/8" B = 5/8" x 3/4" C = 3/4"		10" 12" 15" 18" 21" 24" 27" 18" and taller includes brace support bar Additional heights available, contact factory.	C = Full Port Angle Single Check Valve D = 3/4" Port Angle Dual Check Valve (ASSE 1024) L = Angle lockwing Plug valve J = 3/4" & 1" Port Angle Lockwing Ball Valve M = 1" Port Angle Dual Check Valve (ASSE 1024) W = Standard Port Angle Lockwing Ball Valve X = Flanged Tubing with Meter Nut For other special meter connections, contact factory.		

For Tandem Series

**758
Series
Horizontal
Tandem
Setter**



Example 758-207WX
Tandem resetters are supplied with adapters and "S" tube. Please specify device length and threads when ordering.

- A** = Full Port Angle Single Check Valve
- F** = 3/4" Port Angle Dual Check Valve (ASSE 1024)
- G** = Angle Lockwing Plug Valve
- K** = 3/4" & 1" Port Angle Lockwing Ball Valve
- N** = Flanged Tubing with Meter Nut
- P** = 1" Port Angle Dual Check Valve (ASSE 1024)
- Q** = Standard Port Angle Lockwing Ball Valve

NOTE: Unless specified all tandem components have meter nuts without support lip.

- Standard device for 5/8", 5/8" x 3/4", 3/4" = 4"- 5" Long FNPT x FNPT
- Standard device for 1" = 5"- 6" Long FNPT x FNPT

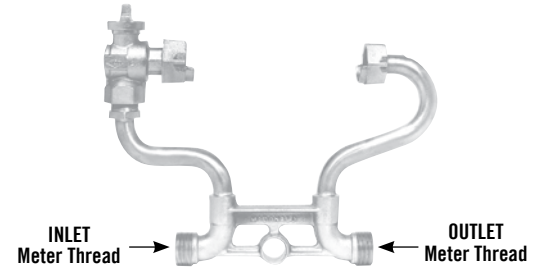
OPTIONS

- Assemblies shipped with two 1/8" EPDM rubber meter gaskets.
- **Not all combinations available, contact factory with your requirements.**
- **MOST METER SETTERS ARE MADE TO ORDER AND ARE NOT RETURNABLE.**
- Please verify with the factory that the model number you have configured is available and meets your requirements.

718 Series

FOR 5/8", 5/8" X 3/4", 3/4", OR 1" METERS

Horizontal Style



5/8" Meter Size	Carton PCS/WT	Price	5/8" x 3/4" Meter Size	Carton PCS/WT	Price	3/4" Meter Size	Carton PCS/WT	Price	1" Meter Size	Carton PCS/WT	Price
718-107WX	6/24	\$ 151.64	718-207WX	6/24	\$ 157.60	718-307WX	6/27	\$ 183.52	718-410WX	3/26	\$ 326.16
718-109WX	6/21	\$ 153.52	718-209WX	6/24	\$ 159.43	718-309WX	6/37	\$ 193.05	718-412WX	3/23	\$ 332.79
718-112WX	6/30	\$ 158.74	718-212WX	6/24	\$ 164.64	718-312WX	6/30	\$ 198.52	718-415WX	3/24	\$ 340.81
718-115WX	6/30	\$ 165.27	718-215WX	6/27	\$ 171.10	718-315WX	6/42	\$ 205.80	718-418WX	3/27	\$ 388.35
718-118WX	6/33	\$ 187.34	718-218WX	6/30	\$ 193.48	718-318WX	6/39	\$ 230.82	718-421WX	3/33	\$ 405.65
718-121WX	6/59	\$ 193.54	718-221WX	6/40	\$ 199.68	718-321WX	6/35	\$ 248.99	718-424WX	3/27	\$ 418.27
718-124WX	6/36	\$ 200.30	718-224WX	6/33	\$ 206.40	718-324WX	6/45	\$ 256.87			

Single Setter (with Saddle Nut)

Options - add or subtract from base setter model		1	2	3	4
		5/8"	5/8" x 3/4"	3/4"	1"
Standard Ball Valve	W	\$ 61.80	\$ 61.80	\$ 61.80	\$ 124.02
Full Port Ball Valve	J	\$ 112.86	\$ 112.86	\$ 112.86	\$ 170.02
Plug Valve	L	\$ 50.86	\$ 50.86	\$ 50.86	\$ 77.98
Dual Check - ASSE	D	\$ 112.97	\$ 112.97	\$ 112.97	\$ 107.14
Dual Check - ASSE - Full Port	M	N/C	N/C	N/C	\$ 196.08
Dual Check - Cascading (* adds x992 to end of model)	D*	\$ 103.09	\$ 103.09	\$ 103.09	\$ 107.15
Meter Swivel Nut	X	N/C	N/C	N/C	N/C
Additional height in 3" increments	X	\$ 6.91	\$ 6.91	\$ 9.53	\$ 11.07

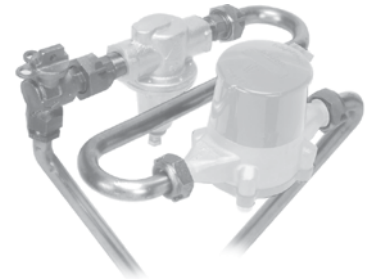
Options	3" Increments
5/8"	\$ 6.91
5/8" X 3/4"	\$ 6.91
3/4"	\$ 9.53
1"	\$ 11.07

Additional heights in 3" increments

Tandem Setter (less Saddle Nut)

Change model from 71 series to 75 series

Options - add or subtract from base setter model		1	2	3	4
		5/8"	5/8" x 3/4"	3/4"	1"
Standard Ball Valve	Q	\$ 61.80	\$ 61.80	\$ 61.80	\$ 124.02
Full Port Ball Valve	K	\$ 112.86	\$ 112.86	\$ 112.86	\$ 170.02
Plug Valve	G	\$ 50.86	\$ 50.86	\$ 50.86	\$ 77.98
Dual Check - ASSE	F	\$ 112.97	\$ 112.97	\$ 112.97	\$ 107.14
Dual Check - ASSE - Full Port	P	N/C	N/C	N/C	\$ 196.08
Dual Check - Cascading (* adds x992 to end of model)	F*	\$ 103.09	\$ 103.09	\$ 103.09	\$ 107.15
Meter Swivel Nut	N	N/C	N/C	N/C	N/C
Height adder	7" - 9"	\$ 121.72	\$ 130.05	\$ 158.11	--
	12"	\$ 121.72	\$ 130.05	\$ 159.11	\$ 237.46
	15"	\$ 107.01	\$ 115.29	\$ 144.41	\$ 237.46
	18" - 21"	\$ 110.47	\$ 118.85	\$ 147.95	\$ 237.46
	24"	\$ 110.47	\$ 118.85	\$ 147.95	\$ 249.25



Tandem Setters or resetters include (2) 74619 connections and "S" tube with meter swivel nuts

- NOTES:**
- 12" minimum height for 1" setter with dual check
 - Horizontal bracing eye, wire seal hole and lockwing are standard.
 - N/C = No additional charge.

Contact Factory for the following options:

1. Handles for ball valves
2. Test cap on check valves
4. 360° turn valve cap (less check)

719 Series

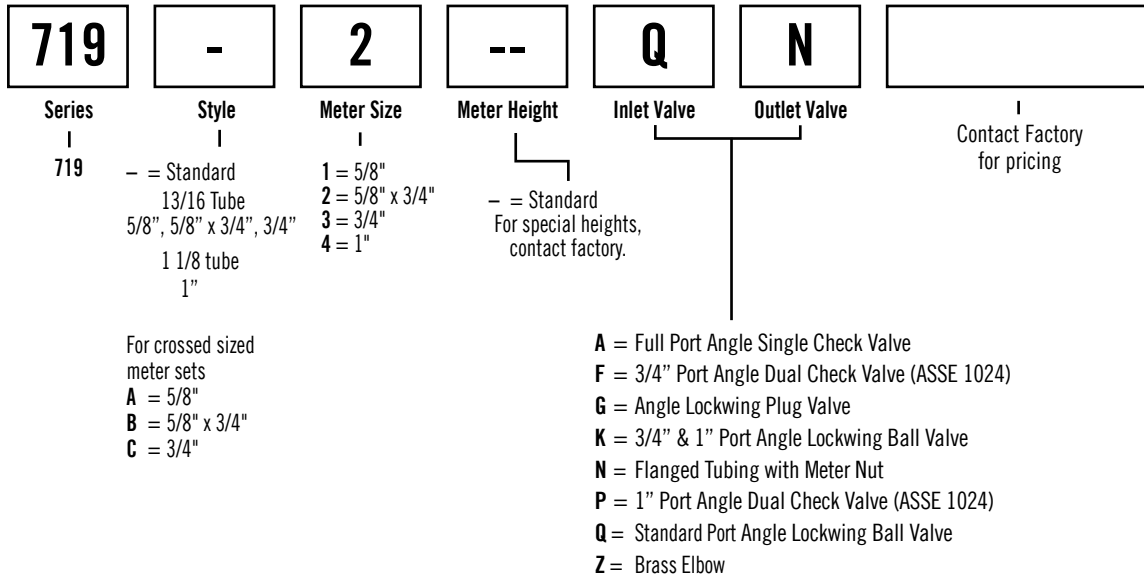
Vertical Style Resetter - Meter Thread x Meter Thread

The A.Y. McDonald 719 vertical to horizontal resetter allows you to reset a meter currently in a vertical position to a horizontal position incorporating an inlet or outlet shut off valve or check valve.

- Meter swivel nuts are less saddle



Model 719-2



OPTIONS

- Assemblies shipped with two 1/8" EPDM rubber meter gaskets.
- Not all combinations available, contact factory with your requirements.
- MOST METER SETTERS ARE MADE TO ORDER AND ARE NOT RETURNABLE.
- Please verify with the factory that the model number you have configured is available and meets your requirements.

719 Series

FOR 5/8", 5/8" X 3/4", 3/4", OR 1" METERS

Vertical Resetters



5/8" Meter Size	Carton PCS/WT	Price	5/8" x 3/4" Meter Size	Carton PCS/WT	Price	3/4" Meter Size	Carton PCS/WT	Price	1" Meter Size	Carton PCS/WT	Price
719-1	6/18	\$ 87.58	719-2	6/18	\$ 93.37	719-3	6/18	\$ 102.73	719-4	6/36	\$ 217.64

Single Setter (with Saddle Nut)

		1	2	3	4
Options - add or subtract from base setter model		5/8"	5/8" x 3/4"	3/4"	1"
Standard Ball Valve	W	\$ 61.80	\$ 61.80	\$ 61.80	\$ 124.02
Full Port Ball Valve	J	\$ 112.86	\$ 112.86	\$ 112.86	\$ 170.02
Plug Valve	L	\$ 50.86	\$ 50.86	\$ 50.86	\$ 77.98
Dual Check - ASSE	D	\$ 112.97	\$ 112.97	\$ 112.97	\$ 107.14
Dual Check - ASSE - Full Port	M	N/C	N/C	N/C	\$ 196.08
Dual Check - Cascading (* adds x992 to end of model)	D*	\$ 103.09	\$ 103.09	\$ 103.09	\$ 107.15
Meter Swivel Nut	X	N/C	N/C	N/C	N/C
Additional height in 3" increments	X	\$ 6.91	\$ 6.91	\$ 9.53	\$ 11.07

Options 3" Increments

Options	3" Increments
5/8"	\$ 6.91
5/8" X 3/4"	\$ 6.91
3/4"	\$ 9.53
1"	\$ 11.07

Additional heights in 3" increments

Tandem Setter (less Saddle Nut)

Change model from 71 series to 75 series

		1	2	3	4
Options - add or subtract from base setter model		5/8"	5/8" x 3/4"	3/4"	1"
Standard Ball Valve	Q	\$ 61.80	\$ 61.80	\$ 61.80	\$ 124.02
Full Port Ball Valve	K	\$ 112.86	\$ 112.86	\$ 112.86	\$ 170.02
Plug Valve	G	\$ 50.86	\$ 50.86	\$ 50.86	\$ 77.98
Dual Check - ASSE	F	\$ 112.97	\$ 112.97	\$ 112.97	\$ 107.14
Dual Check - ASSE - Full Port	P	N/C	N/C	N/C	\$ 196.08
Dual Check - Cascading (* adds x992 to end of model)	F*	\$ 103.09	\$ 103.09	\$ 103.09	\$ 107.15
Meter Swivel Nut	N	N/C	N/C	N/C	N/C
Height adder	7" - 9"	\$ 121.72	\$ 130.05	\$ 158.11	--
	12"	\$ 121.72	\$ 130.05	\$ 159.11	\$ 237.46
	15"	\$ 107.01	\$ 115.29	\$ 144.41	\$ 237.46
	18" - 21"	\$ 110.47	\$ 118.85	\$ 147.95	\$ 237.46
	24"	\$ 110.47	\$ 118.85	\$ 147.95	\$ 249.25

Tandem Setters or resetters include (2) 74619 connections and "S" tube with meter swivel nuts

- NOTES:**
- 12" minimum height for 1" setter with dual check
 - Horizontal bracing eye, wire seal hole and lockwing are standard.
 - N/C = No additional charge.

Contact Factory for the following options:

1. Handles for ball valves
2. Test cap on check valves
4. 360° turn valve cap (less check)

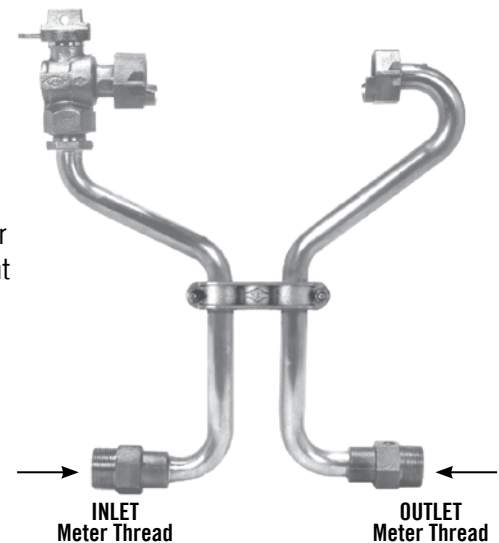
768 Series

FOR 5/8", 5/8" X 3/4", 3/4", OR 1" METERS

Horizontal "F" Style Flexible Resetter

Minimum 15" height on 1" resetters.

The A.Y. McDonald 768 horizontal "F Style" (Flexible) resetter allows you to reset a meter incorporating an inlet or outlet shut off valve or check valve. It also offers several height options and flexibility if existing set is not aligned correctly.



Model 768-112WX

768	-	1	12	W	X
Series	Style	Meter Size	Meter Height	Inlet Valve	Outlet Valve
768	- = Standard 13/16 Tube 5/8", 5/8" x 3/4", 3/4" 1 1/8 tube 1" H = Horizontal Brace Eye	1 = 5/8" 2 = 5/8" x 3/4" 3 = 3/4" 4 = 1"	12" 15" 18" 21" 24" Additional heights available, contact factory.		
	For crossed sized meter sets A = 5/8" B = 5/8" x 3/4" C = 3/4"			C = 3/4" & 1" Port Angle Single Check Valve D = 3/4" Port Angle Dual Check Valve (ASSE 1024) L = Angle lockwing Plug valve J = 3/4" & 1" Port Angle Lockwing Ball Valve M = 1" Port Angle Dual Check Valve (ASSE 1024) W = Standard Port Angle Lockwing Ball Valve X = Flanged Tubing with Meter Nut For other special meter connections, contact factory.	

For Tandem Series

761
Series
Horizontal
Tandem
Setter



Example 761-112WX
Tandem resetters are supplied with adapters and "S" tube. Please specify device length and threads when ordering.

A = 3/4" & 1" Port Angle Single Check Valve
F = 3/4" Port Angle Dual Check Valve (ASSE 1024)
G = Angle Lockwing Plug Valve
K = 3/4" & 1" Port Angle Lockwing Ball Valve
N = Flanged Tubing with Meter Nut
P = 1" Port Angle Dual Check Valve (ASSE 1024)
Q = Standard Port Angle Lockwing Ball Valve
Z = Brass Elbow

NOTE: Unless specified all tandem components have meter nuts without support lip.

- Standard device for 5/8", 5/8" x 3/4", 3/4" = 4" - 5" Long FNPT x FNPT
- Standard device for 1" = 5" - 6" Long FNPT x FNPT

OPTIONS

- Assemblies shipped with two 1/8" EPDM rubber meter gaskets.
- **Not all combinations available, contact factory with your requirements.**
- **MOST METER SETTERS ARE MADE TO ORDER AND ARE NOT RETURNABLE.**
- Please verify with the factory that the model number you have configured is available and meets your requirements.

768 Series

FOR 5/8", 5/8" X 3/4", 3/4", OR 1" METERS

Horizontal Inlet and Outlet "F" Style Meter Resetters

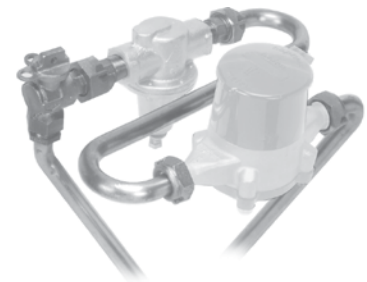
5/8" Meter Size	Carton PCS/WT	Price	5/8" x 3/4" Meter Size	Carton PCS/WT	Price	3/4" Meter Size	Carton PCS/WT	Price	1" Meter Size	Carton PCS/WT	Price
768-112WX	6/27	\$ 181.41	768-212WX	6/29	\$ 191.93	768-312WX	6/32	\$ 223.52	768-415WX	3/25	\$ 381.64
768-115WX	6/29	\$ 186.19	768-215WX	6/29	\$ 196.69	768-315WX	6/30	\$ 233.98	768-418WX	3/36	\$ 410.44
768-118WX	6/33	\$ 202.01	768-218WX	6/42	\$ 212.55	768-318WX		\$ 246.61	768-421WX		\$ 435.64
768-121WX		\$ 210.97	768-221WX	6/41	\$ 221.50	768-321WX		\$ 256.20	768-424WX	3/27	\$ 439.10
768-124WX	6/43	\$ 218.10	768-224WX	6/42	\$ 228.57	768-324WX		\$ 266.24			

Single Setter (with Saddle Nut)		1	2	3	4
Options - add or subtract from base setter model		5/8"	5/8" x 3/4"	3/4"	1"
Standard Ball Valve	W	\$ 61.80	\$ 61.80	\$ 61.80	\$ 124.02
Full Port Ball Valve	J	\$ 112.86	\$ 112.86	\$ 112.86	\$ 170.02
Plug Valve	L	\$ 50.86	\$ 50.86	\$ 50.86	\$ 77.98
Dual Check - ASSE	D	\$ 112.97	\$ 112.97	\$ 112.97	\$ 107.14
Dual Check - ASSE - Full Port	M	N/C	N/C	N/C	\$ 196.08
Dual Check - Cascading (* adds x992 to end of model)	D*	\$ 103.09	\$ 103.09	\$ 103.09	\$ 107.15
Meter Swivel Nut	X	N/C	N/C	N/C	N/C
Additional height in 3" increments	X	\$ 6.91	\$ 6.91	\$ 9.53	\$ 11.07

Options	3" Increments
5/8"	\$ 6.91
5/8" X 3/4"	\$ 6.91
3/4"	\$ 9.53
1"	\$ 11.07

Additional heights in 3" increments
STP = Standard **FP** = Full Port

Tandem Setter (less Saddle Nut)		1	2	3	4
Change model from 768 series to 761 series		5/8"	5/8" x 3/4"	3/4"	1"
Standard Ball Valve	Q	\$ 61.80	\$ 61.80	\$ 61.80	\$ 124.02
Full Port Ball Valve	K	\$ 112.86	\$ 112.86	\$ 112.86	\$ 170.02
Plug Valve	G	\$ 50.86	\$ 50.86	\$ 50.86	\$ 77.98
Dual Check - ASSE	F	\$ 112.97	\$ 112.97	\$ 112.97	\$ 107.14
Dual Check - ASSE - Full Port	P	N/C	N/C	N/C	\$ 196.08
Dual Check - Cascading (* adds x992 to end of model)	F*	\$ 103.09	\$ 103.09	\$ 103.09	\$ 107.15
Meter Swivel Nut	N	N/C	N/C	N/C	N/C
Height adder	7" - 9"	\$ 121.72	\$ 130.05	\$ 158.11	--
	12"	\$ 121.72	\$ 130.05	\$ 159.11	\$ 237.46
	15"	\$ 107.01	\$ 115.29	\$ 144.41	\$ 237.46
	18" - 21"	\$ 110.47	\$ 118.85	\$ 147.95	\$ 237.46
	24"	\$ 110.47	\$ 118.85	\$ 147.95	\$ 249.25



Tandem Setters or resetters include (2) 74619 connections and "S" tube with meter swivel nuts

- NOTES:**
- 12" minimum height for 1" setter with dual check
 - Horizontal bracing eye, wire seal hole and locking are standard.
 - **N/C** = No additional charge.

- Contact Factory for the following options:**
1. Handles for ball valves
 2. Test cap on check valves
 4. 360° turn valve cap (less check)

758 Series

Crab Style Tandem Resetter

Made to set two meter thread x meter thread devices.
The A.Y. McDonald 758 tandem resetter allows you to reset a meter and a device in one low profile compact setting.

- Meter swivel nuts are less saddle
- For other combinations, contact factory



Model 758-2--NN X419

758	-	2	--	N	N		X419
Series	Style	Meter Size	Meter Height	Meter Connections		Blank Space	Crab Style
758 Tandem	- = Standard	1 = 5/8" 2 = 5/8" x 3/4" 3 = 3/4" 4 = 1"	For special heights, contact factory.	N = No valve - meter nut only For other special meter connections and valves, contact factory.			

Model	Description	List Price
758-1--NN X419	5/8" Crab Style Tandem Resetter	\$ 358.56
758-2--NN X419	5/8" x 3/4" Crab Style Tandem Resetter	\$ 358.56
758-3--NN X419	3/4" Crab Style Tandem Resetter	\$ 400.06
758-4--NN X419	1" Crab Style Tandem Resetter	\$ 698.04

Inverted Tandem

For installing a regulator and meter in an existing setting and there is little room above 2" rise from original meter height. The A.Y. McDonald 758 inverted tandem resetter allows you to reset a meter and a device with minimal rise as long as there is room below the existing meter.

- Meter swivel nuts are less saddle



Model 758-202NN X406

758	-	2	02	N	N		X406
Series	Style	Meter Size	Meter Height	Meter Connections		Blank Space	Inverted Style
758 Tandem	- = Standard	1 = 5/8" 2 = 5/8" x 3/4" 3 = 3/4" 4 = 1"	For special heights, contact factory.	N = No valve - meter nut only For other special meter connections, contact factory.			

Meter swivel nuts are less saddle.

Model	Description	List Price
758-102NN X406	5/8" Inverted Tandem Resetter	\$ 207.20
758-202NN X406	5/8" x 3/4" Inverted Tandem Resetter	\$ 225.84
758-302NN X406	3/4" Inverted Tandem Resetter	\$ 252.94
758-403NN X406	1" Inverted Tandem Resetter	\$ 439.58

OPTIONS

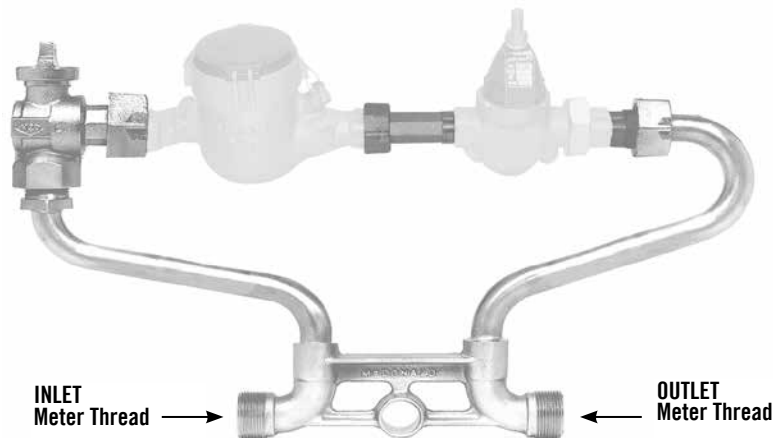
- Assemblies shipped with two 1/8" EPDM rubber meter gaskets.
- Insert stiffeners are required on all flexible plastic connections.
- Not all combinations available, contact factory with your requirements.
- MOST METER SETTERS ARE MADE TO ORDER AND ARE NOT RETURNABLE.
- Please verify with the factory that the model number you have configured is available and meets your requirements.

758I Series

Inline Tandem Resetter

The A.Y. McDonald 758I inline tandem resetter with additional options for shut off or check valves plumbed into the tubing to accept inline, a meter and a pressure regulating device. Please supply device length and end connection configuration when ordering.

- Resetters include 74620 meter coupling and 74619 adapter and gaskets.
- Meter swivel nuts are less saddle



Model 758I207QN X15.81

758	I	2	07	Q	N		X15.81
Series	Style	Meter Size	Meter Height	Inlet Valve	Outlet Valve	Blank Space	Flange to Flange Spread
758	I = Inline Tandem Resetter	1 = 5/8" 2 = 5/8" x 3/4" 3 = 3/4" 4 = 1"	07" 09" 10" 12" 15" 18" 21" 24" Additional heights available, contact factory.	A = Full Port Angle Single Check Valve F = 3/4" Port Angle Dual Check Valve (ASSE 1024) G = Angle Lockwing Plug Valve K = 3/4" & 1" Port Angle Lockwing Ball Valve N = Flanged Tubing with Meter Nut P = 1" Port Angle Dual Check Valve (ASSE 1024) Q = Standard Port Angle Lockwing Ball Valve Z = Brass Elbow			

NOTE: Unless specified all tandem components have meter nuts without support lip.
For other specialty connections, contact factory.

OPTIONS

- Assemblies shipped with two 1/8" EPDM rubber meter gaskets.
- **Not all combinations available, contact factory with your requirements.**
- **MOST METER SETTERS ARE MADE TO ORDER AND ARE NOT RETURNABLE.**
- Please verify with the factory that the model number you have configured is available and meets your requirements.

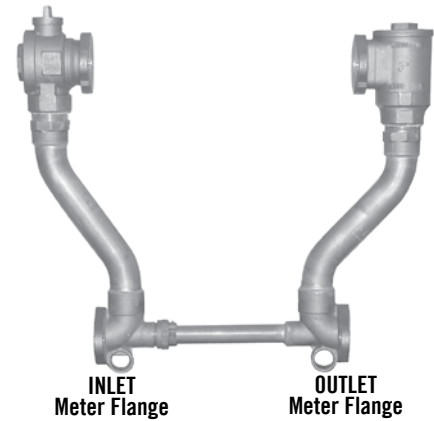
Copper Meter Resetters

718 Series

Horizontal Style Resetters 1 1/2" & 2"

The A.Y. McDonald 718 1 1/2" and 2" oval flanged horizontal resetter allows you to reset a meter incorporating an inlet or outlet shut off valve or check valve while offering several height options. It also offers bypass options. Depending on valve configurations, minimum heights may vary.

- Brass eye holes accept 1" iron pipe or 1" PVC
- 2" Meter flanges have slotted bolt holes to fit 1 1/2" or 2" meters
- Two drop in flange gaskets furnished.
- Two meter support brackets furnished.
- 1 1/4" bypass includes a 1" x 1" x 1 1/4" ball valve.
- Resetter with bypass requires a check valve or ball valve on outlet
- Cross sized resetters available, contact factory.



Model 718-618WD



Series
718

Bypass

Meter Size
6 = 1 1/2"
7 = 2"

Meter Height
12"
15"
18"
21"
24"

Inlet Valve

Outlet Valve

- = Standard
- B = Low bypass
- R = High Offset

Additional heights available, contact factory. Minimum height may apply based on configuration of setter.

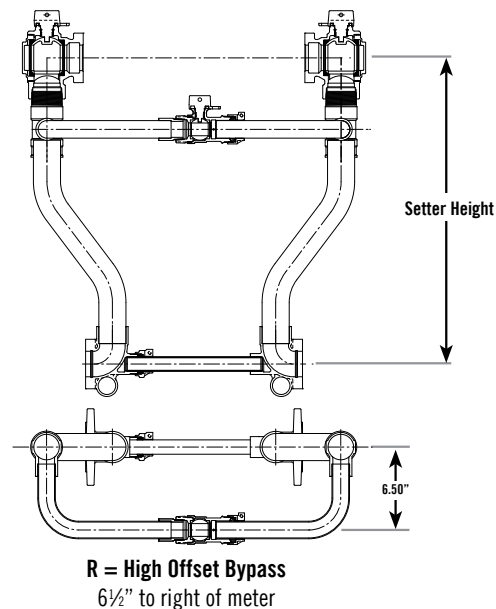
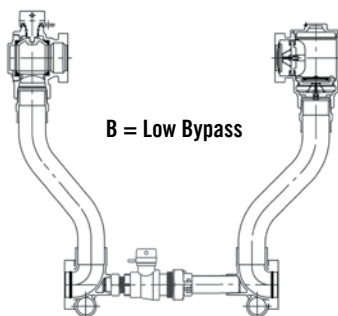
- D = Full Port angle dual check valve (ASSE 1024)
- E = Angle dual check valve with 1" tap in cap with 1" NPT plug assembly
- F = Angle dual check valve with 1 1/2" tap in cap with 1 1/2" NPT plug assembly
- G = Angle dual check valve with 2" tap in cap with 2" NPT plug assembly
- N = Flanged elbow
- W = Full Port angle lockwing ball valve

For Tandem Series

758 Series Tandem Setter



Example 758-618WD
Tandem resetters are supplied with 610M adapters and "S" tube. Please specify device length and threads when ordering.



OPTIONS

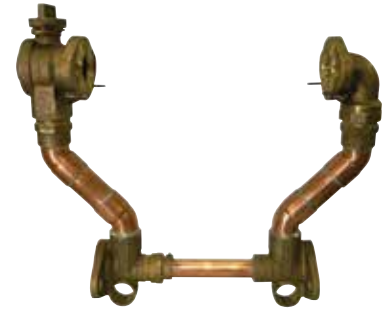
- Not all combinations available, contact factory with your requirements.
- MOST METER RESETTERS ARE MADE TO ORDER AND ARE NOT RETURNABLE.
- Please verify with the factory that the model number you have configured is available and meets your requirements.

718 Series

Horizontal Style Resetters 1 1/2" & 2"

1 1/4" Copper cross tube is standard for no by-pass setters.

The A.Y. McDonald 718 1 1/2" and 2" oval flanged horizontal resetter allows you to reset a meter incorporating an inlet or outlet shut off valve or check valve while offering several height options. It also offers bypass options and several options for taps to incorporate pressure relief valves or sampling valves before or after the meter. Depending on valve configurations, minimum heights may vary. Brass eye holes accept 1" iron pipe or 1" PVC.



Meter Flange Inlet x Meter Flange Outlet

Model	Meter & Service Size	Carton PCS/WT	Price
718-615WN	1 1/2"		\$ 1,717.68
718-715WN	2"		\$ 1,898.30

Adder for Tandem Setter (If Applicable)

Size	Carton PCS/WT	Price
1 1/2"		\$ 753.96
2"		\$ 791.70

NOTE: FOR 718 SERIES THE 718 BECOMES 758

NOTE: METER SETTERS WITH FLANGED ELBOWS ARE NOT AVAILABLE WITH A BY-PASS

Model Description	Size	List Price Adder	
		1 1/2"	2"
NO BYPASS	N/A	\$ 0.00	\$ 0.00
LOW INLINE BYPASS	1 1/4"	\$ 116.09	\$ 116.09
LOW INLINE BYPASS	1 1/2"	\$ 351.92	\$ 351.92
HIGH OFFSET BYPASS	1 1/4"	\$ 659.84	\$ 691.61
HIGH OFFSET BYPASS	1 1/2"	\$ 895.67	\$ 927.44

Height	List Price Adder	
	1 1/2"	2"
15"	\$ 0.00	\$ 0.00
18"	\$ 43.97	\$ 0.00
21"	\$ 87.94	\$ 54.15
24"	\$ 131.91	\$ 108.30
27"	\$ 175.88	\$ 162.45

Description Meter Inlet & Outlet	List Price Adder	
	1 1/2"	2"
BALL VALVE	\$ 222.09	\$ 227.54
DUAL CHECK	\$ 326.84	\$ 237.67

NOTE: ADD FOR EACH VALVE ADDED TO METER SETTER

NOTE: ADD FOR EACH VALVE ADDED TO METER SETTER

OPTIONS

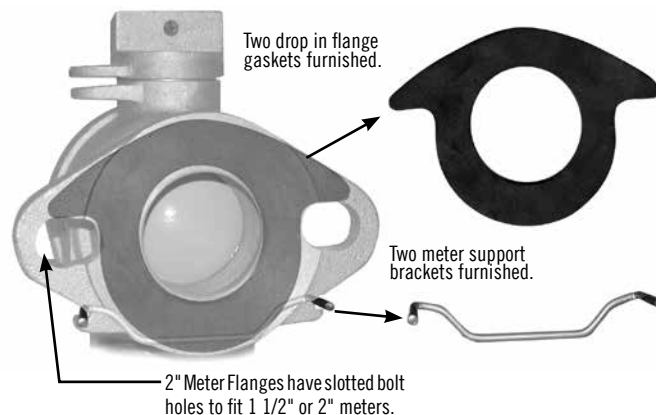
- Not all combinations available, contact factory with your requirements.
- MOST METER RESETTERS ARE MADE TO ORDER AND ARE NOT RETURNABLE.
- Please verify with the factory that the model number you have configured is available and meets your requirements.

Copper Meter Resetters

Gaskets



MODEL	DESCRIPTION	METER SIZE	LIST PRICE
18-G1	5/8" Rubber	5/8"	\$ 0.32
18-G1F	5/8" Fiber	5/8"	\$ 1.28
18-G1L	5/8" Waxed Leather	5/8"	\$ 0.77
18-G2	3/4" Rubber	5/8" x 3/4" or 3/4"	\$ 0.41
18-G2F	3/4" Fiber	5/8" x 3/4" or 3/4"	\$ 1.36
18-G2L	3/4" Waxed Leather	5/8" x 3/4" or 3/4"	\$ 0.74
18-G4	1" Rubber	1"	\$ 0.44
18-G4F	1" Fiber	1"	\$ 1.90
18-G4L	1" Waxed Leather	1"	\$ 0.83



MODEL	DESCRIPTION	METER SIZE	LIST PRICE
18-G6	1 1/2" Flange-Rubber	1 1/2"	\$ 3.62
18-G7	2" Flange-Rubber	2"	\$ 4.11
4620G	1 1/2" Round-Rubber	1 1/2"	\$ 3.25
4620G	2" Round-Rubber	2"	\$ 3.68

MODEL	DESCRIPTION	METER SIZE	LIST PRICE
18-GFF6	1 1/2" Full Flange	1 1/2"	\$ 3.62
18-GFF7	2" Full Flange	2"	\$ 4.14

Meter Bushings

Changes thread size only



10J12 - Converts 5/8" meter spud to 5/8" x 3/4" meter spud - one bushing \$ 5.47

10J12KIT - Converts 5/8" meter spud to 5/8" x 3/4" meter spud - two pieces per bag \$ 10.93



10J34B - Converts 3/4" meter spud to 1" meter spud - one bushing \$ 16.35



10J45 - Converts 1" meter spud to 1 1/4" meter spud - one bushing \$ 9.88

Meter Adapters

Converts meter size and laying length



710J13 - Converts 5/8" meter to 3/4" meter - two pieces required per meter \$ 13.32

710J13KIT - Converts 5/8" meter to 3/4" meter - two pieces per kit \$ 26.65



710J14 - Converts 5/8" meter to 1" meter - two pieces required per meter \$ 16.66

710J14KIT - Converts 5/8" meter to 1" meter - two pieces per kit \$ 33.30



710J23 - Converts 5/8" x 3/4" meter to 3/4" meter - one piece required per meter \$ 16.93



710J24 - Converts 5/8" x 3/4" meter to 1" meter - two pieces required per meter \$ 20.36

710J24KIT - Converts 5/8" x 3/4" meter to 1" meter - two pieces per kit \$ 40.70



710J34 - Converts 3/4" meter to 1" meter - two pieces required per meter \$ 15.63

710J34KIT - Converts 3/4" meter to 1" meter - two pieces per kit \$ 31.25



710J46 - Converts 1" meter to 1 1/2" flanged meter size and length - two pieces required per meter \$ 118.16



710J46KIT - Converts 1" meter to 1 1/2" flanged meter size and length - two pieces per kit \$ 236.31

710J47 - Converts 1" meter to 2" flanged meter size and length two pieces required per meter... \$ 120.92

710J47KIT - Converts 1" meter to 2" flanged meter size and length two pieces per kit \$ 241.86



710J67 - Converts 1 1/2" flanged meter to 2" flanged meter size and length - two pieces required per meter - two bolts included \$ 159.97



710J67KIT - Converts 1 1/2" flanged meter to 2" flanged meter size and length - two pieces per kit - four bolts included \$ 319.94



710J67DH - Converts 1 1/2" flanged meter to 2" flanged meter size and length - two pieces required per meter Slotted holes for 1 1/2" or 2" meters - does not include bolts and nuts \$ 159.97



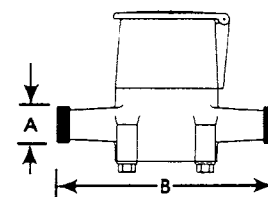
710J77DHX2 X1.75 - Converts 2" x 15.25" flanged meter to 2" x 17" flanged meter size and length - one piece required per meter. Slotted holes for 1 1/2" or 2" meters - does not include bolts and nuts \$ 159.97



6121 - Meter support bracket - 1 1/2" and 2" \$ 10.82

Meter Dimensions

Meter Size	3/4" Short Meter,		3/4"	3/4" x 1"	1"	1 1/2"	2"
	5/8"	5/8" x 3/4"					
A-Meter Threads	3/4"	1"	1"	1 1/4"	1 1/4"	Oval Flange	Oval Flange
B-Lay Length	7 1/2"	7 1/2"	9"	9"	10 3/4"	13"	17"
A.Y. McDonald Spacing*	7 13/16"	7 13/16"	9 5/16"	9 5/16"	11 3/32"	13 1/4"	17 1/4"



*Allows for meter and two gaskets.

Note: A.Y. McDonald uses the above standards for typical meter applications. If your application is special or in question, you should always measure the meter as shown above. Other meter lay lengths must be specified. An additional 3/8" is added to top spacing to allow for gaskets through 1" meters: Standard 2" top spacing = 17 1/4".

Copper Meter Resetters

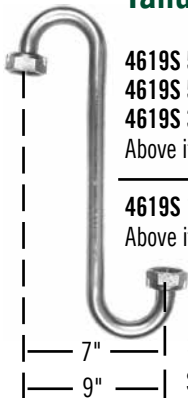
Tandem Options

All A.Y. McDonald tandem copper setters are designed to provide the user with the option of placing an auxiliary device in addition to a water meter in a space as small as 18" in diameter (see Table I). The auxiliary device could be a pressure regulator, pressure relief valve, backflow preventer, etc. Table I shows typical lay lengths available for these devices. Other lengths can be provided. Contact our customer service department for details.

- Standard centerline spread for 5/8", 5/8" x 3/4", 3/4" meters is 7". 1" meter is 9".
- Tandem meter setter "S" bar (4619S-size) and brass adapters (74619-size) come as standard when ordering tandem resetters, but are also available separately (see below). Contact factory.
- Resetters with cross-over meter sizes are available, contact factory.

TABLE I		
Meter Size	Device Length (FNPT x FNPT)	Minimum Recommended Inside Pit Diameter
5/8"	4" to 5"	18"
5/8" x 3/4"	4" to 5"	18"
3/4"	4" to 5"	20"
1"	5" to 6"	21"

Tandem "S" Bar



- | | |
|--|-------------------|
| | List Price |
| 4619S 5/8" x 4.50 - for use with 5/8" meter tandem | \$ 62.47 |
| 4619S 5/8" x 3/4" x 4.50 - for use with 5/8" x 3/4" meter tandem... | \$ 66.32 |
| 4619S 3/4" x 4.50 - for use with 3/4" meter tandem | \$ 78.49 |
| Above items for use with 4"-5" device | |
| <hr/> | |
| 4619S 1" x 5.50 - for use with 1" meter tandem | \$ 120.09 |
| Above item for use with 5"-6" device | |

- 7" Spread for 5/8", 5/8" x 3/4" and 3/4" Meters
- 9" Spread for 1" Meters

Note: Special length cross tubes and inverted tandem cross tubes are available, contact factory.

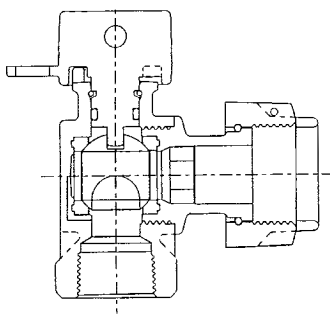
"S" Bar Adapter



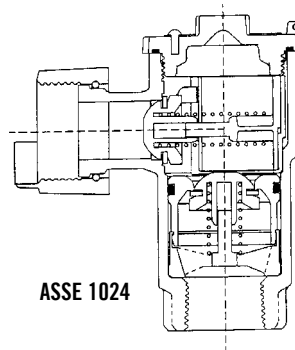
Two pieces required per device

- | | |
|--|-------------------|
| | List Price |
| 74619 5/8" - (5/8" meter x 3/4" NPT) | \$ 21.27 |
| 74619 3/4" - (5/8" x 3/4" or 3/4" meter x 3/4" NPT) ... | \$ 15.94 |
| 74619 1" - (1" meter x 1" NPT) | \$ 21.88 |

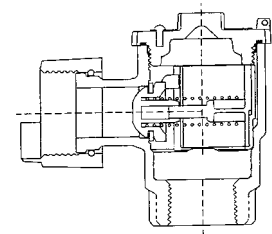
Sectional View



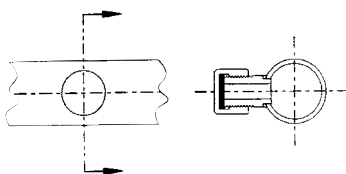
Angle Meter Valve Ball Style



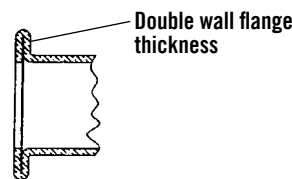
Angle Dual Poppet Check Valve



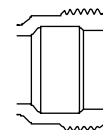
Single Poppet Check Valve



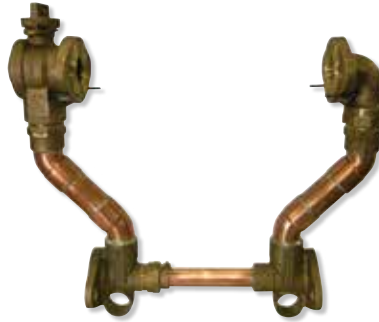
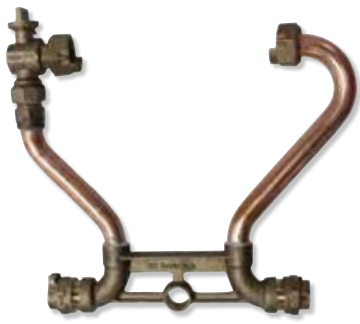
Test Valve in Tubing



Copper Tube Flange



Meter Threads



Copper Meter Setters



Copper Meter Setters

Water Works Catalog / Price List - July 2017

MORE THAN A BRAND. WE'RE A FAMILY.

Copper Meter Setters

Single Setter (with Saddle Nut)

		1	2	3	4
Options - add or subtract from base setter model		5/8"	5/8" x 3/4"	3/4"	1"
Standard Ball Valve	W	\$ 61.80	\$ 61.80	\$ 61.80	\$ 124.02
Full Port Ball Valve	J	\$ 112.86	\$ 112.86	\$ 112.86	\$ 170.02
Single Check Valve	C	\$ 56.11	\$ 56.11	\$ 56.11	\$ 67.45
Plug Valve	L	\$ 50.86	\$ 50.86	\$ 50.86	\$ 77.98
Dual Check - ASSE	D	\$ 112.97	\$ 112.97	\$ 112.97	\$ 107.14
Dual Check - ASSE - Full Port	M	N/C	N/C	N/C	\$ 196.08
Dual Check - Cascading (* adds x992 to end of model)	D*	\$ 103.09	\$ 103.09	\$ 103.09	\$ 107.15
Meter Swivel Nut	X	N/C	N/C	N/C	N/C
Additional height in 3" increments	X	\$ 6.91	\$ 6.91	\$ 9.53	\$ 11.07

Tandem Setter (less Saddle Nut)

Change model from 72 series to 75 series

		1	2	3	4
Options - add or subtract from base setter model		5/8"	5/8" x 3/4"	3/4"	1"
Standard Ball Valve	Q	\$ 61.80	\$ 61.80	\$ 61.80	\$ 124.02
Full Port Ball Valve	K	\$ 112.86	\$ 112.86	\$ 112.86	\$ 170.02
Single Check Valve	A	\$ 56.11	\$ 56.11	\$ 56.11	\$ 67.45
Plug Valve	G	\$ 50.86	\$ 50.86	\$ 50.86	\$ 77.98
Dual Check - ASSE	F	\$ 112.97	\$ 112.97	\$ 112.97	\$ 107.14
Dual Check - ASSE - Full Port	P	N/C	N/C	N/C	\$ 196.08
Dual Check - Cascading (* adds x992 to end of model)	F*	\$ 103.09	\$ 103.09	\$ 103.09	\$ 107.15
Meter Swivel Nut	N	N/C	N/C	N/C	N/C
Height adder	7" - 9"	\$ 121.72	\$ 130.05	\$ 158.11	--
	12"	\$ 121.72	\$ 130.05	\$ 159.11	\$ 237.46
	15"	\$ 107.01	\$ 115.29	\$ 144.41	\$ 237.46
	18" - 21"	\$ 110.47	\$ 118.85	\$ 147.95	\$ 237.46
	24"	\$ 110.47	\$ 118.85	\$ 147.95	\$ 249.25

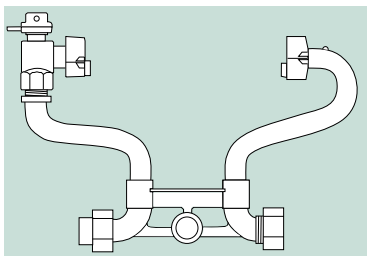
Tandem Setters or resetters include (2) 74619 connections and "S" tube with meter swivel nuts

LESS CHECK / 360° TURN OPERATING HEAD

Less check on ball valve, Add \$ 2.18 ea.

- 12" minimum height for 1" setters and resetters with angle dual checks, except for low profile options.
- Bracing eye, meter nuts with saddle, wire seal hole, and angle ball valves with lockwing are standard except where noted.
- Weights and package sizes will vary with additional options.
- Cross size resetters available, contact factory.
- 7/8" O.D. Tube option on 3/4 meter setter.

Model number **723** **-2** **09** **WX** **DT** **33** means...

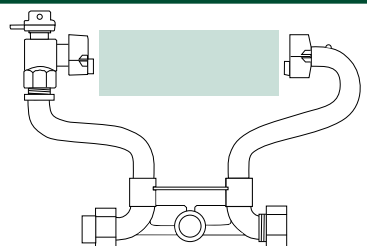


723 -209WXDT 33

No-Lead Copper Meter Setter Series

(includes resetters)

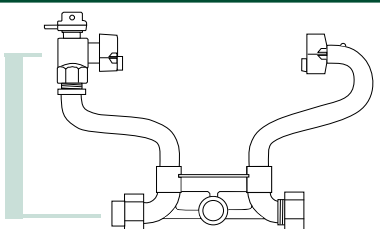
717, 718, 720, 721, 722, 723, 724, 725, 726, 727, 728, 729, 730, 731, 732, 737, 738, 739, 750, 751, 752, 753, 754, 755, 756, 757, 758, 759, 760, 761, 762, 763, 764, 768, 770



723 **-2** 09WXDT 33

Meter Sizes

- 1 = 5/8" Meter
- 2 = 5/8" x 3/4" Meter
- 3 = 3/4" Meter
- 4 = 1" Meter
- 5 = 1 1/2" Meter
- 6 = 2" Meter



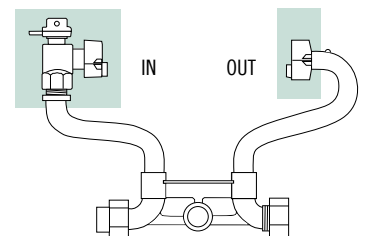
723-2 **09** WXDT 33

Vertical Height

07", 09", 10", 12", 15", 18", 21", 24"

Others on special order (i.e., 08", 20", 30", etc.)

- 10" minimum height on 1" meter setters.
- 12" minimum height on 1" meter setters with angle dual check valves.

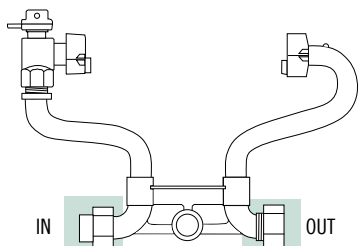


723-209 **WX** DT 33
IN OUT

Meter Valve/Nut/Dual or Single Check

- C** = Angle check valve (Single Cartridge)
- D** = Angle dual check valve (ASSE 1024)
- W** = Angle locking ball valve
- X** = Flanged tubing with meter nut
- Saddle nut style standard. Consult factory for less saddle.
- Ball valve with locking and checks are standard.

For Tandem Setters Designation A, F, Q & N, Replace C, D, W & X



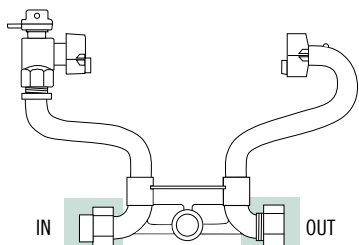
723-209WX **DT** 33
IN OUT

Bottom Bar End Connection

- C** = Copper Flare Union
- D** = Double Purpose (Flare or FNPT) Union
- F** = FNPT Union
- M** = MNPT Union
- P** = MNPT (No Coupling) Integral
- Q** = "Q" CTS Series Comp.*
- S** = Solder Union
- T** = "T" CTS Series Comp.*
- Z** = "-3Q" PEP Series Comp.*
- 2** = "-22" CTS Series Mac-Pak Comp.*
- 3** = "-33" PEP Series Mac-Pak Comp.*
- 4** = "-44" PVC Series Mac-Pak Comp.
- 5** = "-55" IP Series Mac-Pak Comp. IP

- Not all end connections available on all styles of meter setters.

DOES NOT apply to Resetters



723-209WXDT **33**
IN OUT

Bottom Bar End Size

- 1 = 1/2"
- 3 = 3/4"
- 4 = 1"
- 5 = 1 1/4"
- 6 = 1 1/2"
- 7 = 2"

DOES NOT apply to Resetters

*Insert stiffeners are required on all flexible plastic connections.

In Stock Setters

HORIZONTAL RESETTERS AND METER SETTERS

Low-Rise Resetters

Model	Carton PCS/WT	Price
710-203NNH- X72	8/4	\$ 217.79
717-204WD--	6/6	\$ 283.06
717-204XD--	6/5	\$ 221.27
717-204WX	6/5	\$ 170.11

Double Purpose x Double Purpose Union x Union

Model	Carton PCS/WT	Price
720-207WDDD 33	6/6	\$ 292.55
720-207WXDD 33	6/6	\$ 179.58
720-212WCDD 33	6/6	\$ 242.63
720-212WXDD 33	6/6	\$ 186.51
720-418JMD 44	3/14	\$ 568.02

CTS x CTS Compression

Model	Carton PCS/WT	Price
722-207WD22 33	6/6	\$ 286.72
722-207WX22 33	6/5	\$ 173.76
722-212WD22 33	6/6	\$ 293.62
722-215WD22 33	6/7	\$ 300.19
722-218WX22 33	6/7	\$ 209.60
722-410WX22 44	3/10	\$ 350.23
722-418WX22 44	3/10	\$ 412.41

Male Meter Thread Resetters

Model	Carton PCS/WT	Price
718-207WD	6/6	\$ 270.56
718-207WX	6/4	\$ 157.60
718-209WX	6/4	\$ 159.43
718-212WD	6/6	\$ 277.61
718-212WX	4/6	\$ 164.64
718-410WX	3/9	\$ 326.16

FNPT x FNPT

Model	Carton PCS/WT	Price
720B712WDF 775	1/40	\$ 1711.64
720B712WWFF 775	1/42	\$ 1702.09
720B715WWFF 775	1/44	\$ 1754.42
720B718WWFF 775	1/45	\$ 1807.30
720B727WWFF 775	1/49	\$ 1972.52
720R715WWFF 775	1/49	\$ 2329.50

CTS Compression x Double Purpose

Model	Carton PCS/WT	Price
724-207WDT 33	6/7	\$ 289.60
726-207WD2 33	6/7	\$ 289.60
726-207WX2 33	6/6	\$ 176.65

VERTICAL INSETTERS AND METER SETTERS

C-Style Insetter

Model	Carton PCS/WT	Price
740-2----FF 33	8/4	\$ 101.89
740-2----MS 33	8/4	\$ 101.89
740-2----SS 33	8/9	\$ 101.89
740-3----SS 44	8/4	\$ 125.36
740-4----MM 44	5/7	\$ 180.23

K-Style Insetter

Model	Carton PCS/WT	Price
741-1	12/3	\$ 76.05
741-2	12/3	\$ 80.31

CTS Compression x CTS Compression Meter Setter

Model	Carton PCS/WT	Price
732-1--WX22 33	6/5	\$ 173.84
732-4--HN22 44	3/8	\$ 295.70
732-4--WW22 44	3/9	\$ 417.58
732-4--WX22 44	3/8	\$ 293.55

C-Style Insetter with Nuts Less Connection

Model	Carton PCS/WT	Price
40N1	8/3	\$ 63.30
40N2	8/3	\$ 67.25
40N3	8/3	\$ 77.78
40N4	7/6	\$ 154.73

M-Style Insetter

Model	Carton PCS/WT	Price
743-2----DD 33	8/4	\$ 111.07
743-3----SS 44	8/4	\$ 130.54
743-4----SS 44	5/6	\$ 180.12
743-4----DD 44	6/6	\$ 180.12

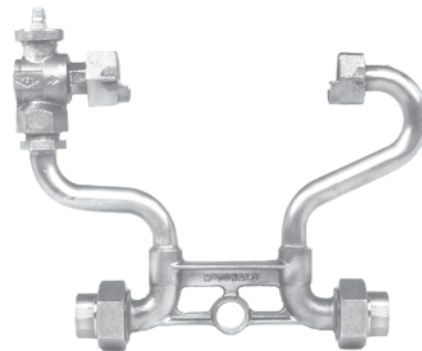
PU-Style Insetter, MNPT x MNPT

Model	Carton PCS/WT	Price
744-1	8/3	\$ 71.14
744-2	8/2	\$ 76.54
744-4	4/5	\$ 218.83

720 Series

FOR 5/8", 5/8" X 3/4", 3/4", OR 1" METERS

Horizontal Style, Double Purpose Union x Double Purpose Union.



To order 720 Series Model No. **720-207WXDD 33** above means:

Series	Style	Meter Size	Meter Height	Inlet and Outlet Valves	Type of connection Inlet and Outlet	Blank Space	Size Inlet & Outlet
720	- -- Standard	2 1 = 5/8" 2 = 5/8" x 3/4" 3 = 3/4" 4 = 1"	07 07 = 7" 09 = 9" 10 = 10" Minimum For 1" Meter 12 = 12" 15 = 15" 18 = 18" 21 = 21" 24 = 24" 27 = 27" Additional heights available, contact factory	WX C = 3/4" & 1" Port Angle Single Check Valve D = 3/4" Port Angle Dual Check Valve (ASSE 1024) L = Angle Lockwing Plug Valve J = 3/4" & 1" Port Angle Lockwing Ball Valve M = 1" Port Angle Dual Check Valve (ASSE 1024) W = Standard Port Angle Lockwing Ball Valve X = Flanged Tubing with Meter Nut For other special meter connections, contact factory.	DD 5/8", 5/8" x 3/4", 3/4" Meters C = Copper Flare Union (3/4" or 1") D = Double Purpose Union (Flare or FNPT) (3/4" or 1") F = FNPT Union (1/2" or 1") G = G CTS McGrip Union (3/4") H = H CTS HandyLoc Union (3/4") J = C903 Union (3/4") L = Less Double Purpose Nut, & Gasket, 3/4" & 1" M = MNPT Union (3/4", 1") Q = Q CTS McQuik Union (3/4") S = Solder Union (3/4" or 1") T = T CTS Union (3/4" or 1") 1" Meters D = Double Purpose Union (Flare or FNPT) (1") J = C903 Union (1") L = Less Double Purpose Nut, Connection & Gasket (1") M = MNPT Union (1" or 1 1/4") Q = Q CTS McQuik Union (1") S = Solder Union (1") T = T CTS Union (1") 2 = -22 CTS MacPak Union (1")		1 = 1/2" 3 = 3/4" 4 = 1"

For Tandem Series

750 Series Horizontal Tandem Setter



Example 750-207QND 33
Tandem setters are supplied with adapters and "S" tube. Please specify device length and threads when ordering.
12" minimum height on 1" tandem

- Standard device for 5/8", 5/8" x 3/4", 3/4" = 4"- 5" Long FNPT x FNPT
- Standard device for 1" = 5"- 6" Long FNPT x FNPT

- A** = 3/4" & 1" Port Angle Single Check Valve
 - F** = 3/4" Port Angle Dual Check Valve (ASSE 1024)
 - G** = Angle Lockwing Plug Valve
 - K** = 3/4" & 1" Port Angle Lockwing Ball Valve
 - N** = Flanged Tubing with Meter Nut
 - P** = 1" Port Angle Dual Check Valve (ASSE 1024)
 - Q** = Standard Port Angle Lockwing Ball Valve
 - Z** = Brass Elbow
- NOTE:** Unless specified all tandem components have meter nuts without support lip.

OPTIONS

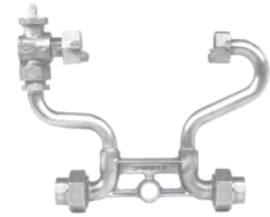
- Assemblies shipped with two 1/8" EPDM rubber meter gaskets.
- Insert stiffeners are required on all flexible plastic connections.
- **Not all combinations available, contact factory with your requirements.**
- **MOST METER SETTERS ARE MADE TO ORDER AND ARE NOT RETURNABLE.**
- Please verify with the factory that the model number you have configured is available and meets your requirements.

Copper Meter Setters

720 Series

FOR 5/8", 5/8" X 3/4", 3/4", OR 1" METERS

Horizontal Style, Double Purpose Union x Double Purpose Union



5/8" Meter Size	Carton PCS/WT	Price	5/8" x 3/4" Meter Size	Carton PCS/WT	Price	3/4" Meter Size	Carton PCS/WT	Price	1" Meter Size	Carton PCS/WT	Price
720-107WXDD 33	6/33	\$ 176.24	720-207WXDD 33	6/30	\$ 179.58	720-307WXDD 33	6/34	\$ 209.23	720-410WXDD 44	3/30	\$ 352.69
720-109WXDD 33	6/34	\$ 178.19	720-209WXDD 33	6/34	\$ 181.41	720-309WXDD 33	6/36	\$ 209.23	720-412WXDD 44	3/26	\$ 359.30
720-112WXDD 33	6/34	\$ 183.44	720-212WXDD 33	6/30	\$ 186.51	720-312WXDD 33	6/38	\$ 214.64	720-415WXDD 44	3/29	\$ 367.32
720-115WXDD 33	6/42	\$ 189.94	720-215WXDD 33	6/33	\$ 193.05	720-315WXDD 33	6/36	\$ 221.98	720-418WXDD 44	3/33	\$ 414.89
720-118WXDD 33	6/43	\$ 211.96	720-218WXDD 33	6/36	\$ 215.45	720-318WXDD 33	6/34	\$ 254.41	720-421WXDD 44	3/42	\$ 432.17
720-121WXDD 33	6/48	\$ 218.14	720-221WXDD 33	6/44	\$ 221.59	720-321WXDD 33	6/46	\$ 265.15	720-424WXDD 44	3/30	\$ 437.41
720-124WXDD 33	6/47	\$ 224.89	720-224WXDD 33	6/47	\$ 228.36	720-324WXDD 33	6/68	\$ 272.98			

Inlet / Outlet Option Adders (Price per end):

5/8", 5/8" x 3/4", or 3/4" Meters

Option	Size	List	Size	List
C - Copper flare union	3/4"	\$ 19.82	1"	\$ 35.65
D - Double Purpose union (Flare or FNPT)	3/4"	N/C	1"	\$ 9.89
F - FNPT union	1/2"	\$ 10.27	1"	\$ 9.24
G - "G" CTS union	3/4"	\$ 14.15		
H - "H" CTS Handy Loc union	3/4"	\$ 17.42		
J - C903 type union	3/4"	\$ 38.56		
L - Less end connection	3/4"	\$ (-14.49)		
M - MNPT union	3/4"	N/C	1"	\$ 9.24
Q - "Q" CTS union	3/4"	\$ 14.15		
S - Solder union	3/4"	N/C	1"	\$ 4.79
T - "T" CTS union	3/4"	\$ 14.15	1"	\$ 31.80
2 - "-22" CTS union	3/4"	\$ 14.15	1"	\$ 31.80
3 - "-33" PEP union	3/4"	\$ 40.85		
4 - "-44" PVC union	3/4"	\$ 40.85		
5 - "-55" IP union	3/4"	\$ 40.85		

1" Meters

Option	Size	List
D - Double Purpose union (Flare or FNPT)	1"	N/C
J - C903 type union	1"	\$ 33.59
L - Less end connection	1"	\$ (-23.22)
M - MNPT union	1"	N/C
Q - "Q" CTS union	1"	\$ 25.69
S - Solder union	1"	N/C
T - "T" CTS union	1"	\$ 25.69
2 - "-22" CTS union	1"	\$ 25.69

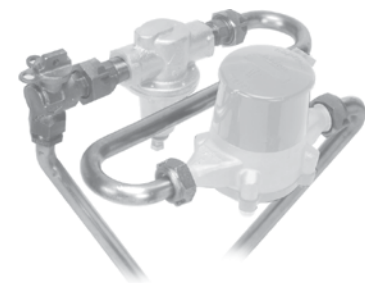
Single Setter (with Saddle Nut)

Options - add or subtract from base setter model		1	2	3	4
		5/8"	5/8" x 3/4"	3/4"	1"
Standard Ball Valve	W	\$ 61.80	\$ 61.80	\$ 61.80	\$ 124.02
Full Port Ball Valve	J	\$ 112.86	\$ 112.86	\$ 112.86	\$ 170.02
Single Check Valve	C	\$ 56.11	\$ 56.11	\$ 56.11	\$ 67.45
Plug Valve	L	\$ 50.86	\$ 50.86	\$ 50.86	\$ 77.98
Dual Check - ASSE	D	\$ 112.97	\$ 112.97	\$ 112.97	\$ 107.14
Dual Check - ASSE - Full Port	M	N/C	N/C	N/C	\$ 196.08
Dual Check - Cascading (* adds x992 to end of model)	D*	\$ 103.09	\$ 103.09	\$ 103.09	\$ 107.15
Meter Swivel Nut	X	N/C	N/C	N/C	N/C
Additional height in 3" increments	X	\$ 6.91	\$ 6.91	\$ 9.53	\$ 11.07

Tandem Setter (less Saddle Nut)

Change model from 72 series to 75 series

Options - add or subtract from base setter model		1	2	3	4
		5/8"	5/8" x 3/4"	3/4"	1"
Standard Ball Valve	Q	\$ 61.80	\$ 61.80	\$ 61.80	\$ 124.02
Full Port Ball Valve	K	\$ 112.86	\$ 112.86	\$ 112.86	\$ 170.02
Single Check Valve	A	\$ 56.11	\$ 56.11	\$ 56.11	\$ 67.45
Plug Valve	G	\$ 50.86	\$ 50.86	\$ 50.86	\$ 77.98
Dual Check - ASSE	F	\$ 112.97	\$ 112.97	\$ 112.97	\$ 107.14
Dual Check - ASSE - Full Port	P	N/C	N/C	N/C	\$ 196.08
Dual Check - Cascading (* adds x992 to end of model)	F*	\$ 103.09	\$ 103.09	\$ 103.09	\$ 107.15
Meter Swivel Nut	N	N/C	N/C	N/C	N/C
Height adder	7" - 9"	\$ 121.72	\$ 130.05	\$ 158.11	--
	12"	\$ 121.72	\$ 130.05	\$ 159.11	\$ 237.46
	15"	\$ 107.01	\$ 115.29	\$ 144.41	\$ 237.46
	18" - 21"	\$ 110.47	\$ 118.85	\$ 147.95	\$ 237.46
	24"	\$ 110.47	\$ 118.85	\$ 147.95	\$ 249.25



See Page 299 for line drawings of End Connections and Assemblies.

Tandem Setters or resetters include (2) 74619 connections and "S" tube with meter swivel nuts

Contact Factory for the following:

1. Handles for ball valves
2. Test cap on check valves
3. 360° turn valve cap (less check)









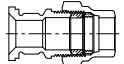

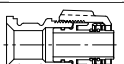


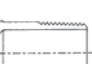












- NOTES:**
- 12" minimum height for 1" setters with dual check.
 - Horizontal bracing eye, wire seal hole and locking are standard.
 - N/C = No additional charge.

Copper Meter Setters

Union End Pieces




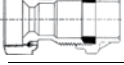


















5/8", 5/8" x 3/4", 3/4", or 1"

(Series 720, 723, 724, 725, 726, 730, 739, 743, 750, 753, 754, 755, 756, 760, 761, 762, 763, 764, 770)

MODEL	DESCRIPTION	LIST
3/4" Connections		
 720-3C3	3/4" Flare endpiece	\$ 28.80
 720-3C3ASY	3/4" Flare endpiece with union nut & gasket	\$ 36.72
 720-3C4ASY	1" Flare endpiece with union nut & gasket	\$ 45.06
 720-3F1	1/2" FNPT union endpiece	\$ 7.94
 720-3F4ASY	1" FNPT endpiece with union nut & gasket	\$ 27.11
 720-3D3	3/4" Double Purpose endpiece Flare or FNPT	\$ 7.94
 720-3D3ASY	3/4" Double Purpose endpiece Flare or FNPT with union nut & gasket	\$ 14.49
 720-3D4ASY	1" Double Purpose endpiece Flare or FNPT with union nut & gasket	\$ 24.37
 720-3G3	3/4" "G" CTS Comp endpiece	\$ 22.03
 720-3G3ASY	3/4" "G" CTS Comp endpiece with union nut & gasket	\$ 30.00
 720-3H3ASY	3/4" "H" CTS Comp endpiece with union nut & gasket	\$ 31.49
 720-3J3	3/4" C903* Comp endpiece	\$ 46.43
 720-3M3	3/4" MNPT endpiece	\$ 7.94
 720-3M3ASY	3/4" MNPT end piece union with nut & gasket	\$ 15.84
 720-3M4	1" MNPT endpiece	\$ 12.71
 720-3M4ASY	1" MNPT endpiece with union nut & gasket	\$ 19.26
 720-3S3	3/4" Solder endpiece	\$ 7.94
 720-3S3ASY	3/4" Solder endpiece with union nut & gasket	\$ 15.84
 720-3S4	1" Solder endpiece	\$ 12.71
 720-3S4ASY	1" Solder endpiece with union nut & gasket	\$ 19.26
 720-3Q3	3/4" "Q" CTS Comp endpiece	\$ 22.02
 720-3Q3ASY	3/4" "Q" CTS Comp endpiece with union nut & gasket	\$ 28.22
 720-3T3	3/4" "T" CTS Comp endpiece	\$ 22.02
 720-3T3ASY	3/4" "T" CTS Comp endpiece with union nut & gasket	\$ 30.00
 720-3T4ASY	1" "T" CTS Comp endpiece with union nut & gasket	\$ 47.63
 720-3Z3ASY	3/4" "3Q" PEP Comp endpiece with union nut & gasket	\$ 48.79

OPTIONS

- Insert stiffeners are required on all flexible plastic connections.
 - **Note:** Inserters normally supplied with end connections. The table above is for ordering replacement couplings.
- Note: Connections require gasket union nut connector

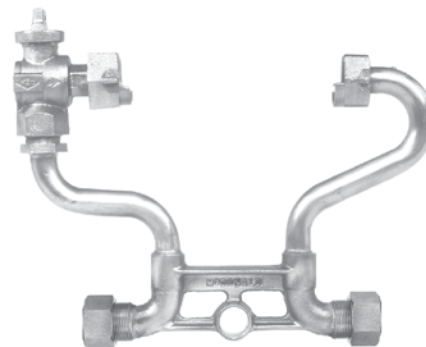
MODEL	DESCRIPTION	LIST
 720-323	3/4" "-22" CTS Comp endpiece	\$ 22.02
 720-323ASY	3/4" "-22" CTS Comp endpiece with union nut & gasket	\$ 30.00
 720-324ASY	1" "-22" CTS Comp endpiece with union nut & gasket	\$ 47.63
 720-333ASY	3/4" "-33" PEP Comp endpiece with union nut & gasket	\$ 48.79
 720-343ASY	3/4" "-44" PVC Comp endpiece with union nut & gasket	\$ 48.79
 720-353ASY	3/4" "-55" IP Comp endpiece with union nut & gasket	\$ 48.79
 20N3	3/4" Union nut only	\$ 6.20
 20G3	3/4" Double Purpose Gasket	\$ 0.35
1" Connections		
 720-4D4	1" Double purpose endpiece flare or FNPT (also used on 5/8" x 3/4", 3/4" meter sets with 1" Double purpose connection)	\$ 12.71
 720-4D4ASY	1" Double purpose endpiece flare or FNPT (also used on 5/8" x 3/4", 3/4" meter sets with 1" Double purpose connection) with union nut & gasket	\$ 22.64
720-4J4	1" C903 endpiece	\$ 46.30
 720-4M4	1" MNPT endpiece	\$ 12.71
 720-4M4ASY	1" MNPT endpiece nut with union & gasket	\$ 22.64
 720-4M5	1 1/4" MNPT endpiece	\$ 22.72
 720-4M5ASY	1 1/4" MNPT endpiece with union nut & gasket	\$ 32.62
 720-4Q4	1" "Q" CTS Comp endpiece	\$ 25.69
 720-4Q4ASY	1" "Q" CTS Comp endpiece with union nut & gasket	\$ 36.20
 720-4S4	1" Solder endpiece	\$ 12.71
 720-4S4ASY	1" Solder endpiece with union nut & gasket	\$ 22.64
 720-4T4	1" "T" CTS Comp endpiece	\$ 25.69
 720-424ASY	1" "-22" CTS Comp endpiece with union nut & gasket	\$ 36.20
 20-4N	1" Union nut	\$ 9.93
 20G4	1" Double purpose gaskets	\$ 0.58

Copper Meter Setters

721 Series

FOR 5/8", 5/8" X 3/4", 3/4", OR 1" METERS

Horizontal Style, Integral CTS, PEP or C903 Compression Inlet/Outlet



To order 721 Series Model No. **721-207WXTT 33** above means:

721	-	2	07	INLET OUTLET WX	INLET OUTLET TT		33
Series	Style -- = Standard	Meter Size 1 = 5/8" 2 = 5/8" x 3/4" 3 = 3/4" 4 = 1"	Meter Height 07 = 7" 09 = 9" 10 = 10" Minimum For 1" Meter 12 = 12" 15 = 15" 18 = 18" 21 = 21" 24 = 24" 27 = 27"	Inlet and Outlet Valves C = 3/4" & 1" Port Angle Single Check Valve D = 3/4" Port Angle Dual Check Valve (ASSE 1024) L = Angle Lockwing Plug Valve J = 3/4" & 1" Port Angle Lockwing Ball Valve M = 1" Port Angle Dual Check Valve (ASSE 1024) W = Standard Port Angle Lockwing Ball Valve X = Flanged Tubing with Meter Nut	Type of connection Inlet and Outlet L-shaped symbol	Blank Space	Size Inlet & Outlet 3 = 3/4" 4 = 1" 5 = 1 1/4" 6 = 1 1/2"

18" & Taller includes
Brace Support Bar

Additional
heights available,
contact factory

5/8", 5/8" x 3/4", 3/4" Meters

B = "-3G" PEP McGrip Integral
(3/4", 1", 3/4" x 1", 1" x 3/4")

G = "G" CTS McGrip Integral
(3/4", 1", 1 1/4", 3/4" x 1", 1" x 3/4",
1" x 1 1/4", or 1 1/4" x 1")

H = "H" CTS PE Handyloc Integral
(3/4", 1", 3/4" x 1", 1" x 3/4")

J = C903 Integral
(3/4", 1", 3/4" x 1", 1" x 3/4")

Q = "Q" CTS McQuik Integral
(3/4", 1", 1 1/4", 3/4" x 1", 1" x 3/4",
1" x 1 1/4", or 1 1/4" x 1")

T = "T" CTS Integral
(3/4", 1", 1 1/4", 3/4" x 1", 1" x 3/4",
1" x 1 1/4", or 1 1/4" x 1")

Y = "-3H" PEP Handyloc Integral
(3/4", 1", 3/4" x 1", 1" x 3/4")

Z = "-3Q" PEP McQuik Integral
(3/4", 1", 3/4" x 1", 1" x 3/4")

1" Meters

B = "-3G" PEP McGrip Integral (1")

G = "G" CTS McGrip Integral
(1", 1" x 1 1/2", 1 1/4", 1 1/2")

H = "H" CTS PE Handyloc Integral (1")

J = C903 Integral (1")

Q = "Q" CTS McQuik Integral
(1", 1" x 1 1/2", 1 1/4", 1 1/2")

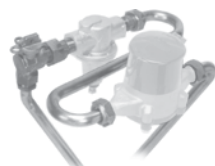
T = "T" CTS Integral
(1", 1" x 1 1/2", 1 1/4", 1 1/2")

Y = "-3H" PEP Handyloc Integral (1")

Z = "-3Q" PEP McQuik Integral (1")

For Tandem Series

751
Series
Horizontal
Tandem
Setter



Example 751-207QNTT 33
Tandem setters are supplied with adapters
and "S" tube. Please specify device length
and threads when ordering.
12" minimum height on 1" tandem

A = 3/4" & 1" Port Angle Single
Check Valve

F = 3/4" Port Angle Dual Check
Valve (ASSE 1024)

G = Angle Lockwing Plug Valve

K = 3/4" & 1" Port Angle Lockwing
Ball Valve

N = Flanged Tubing with Meter Nut

P = 1" Port Angle Dual
Check Valve (ASSE 1024)

Q = Standard Port Angle Lockwing
Ball Valve

Z = Brass Elbow

NOTE: Unless specified all tandem
components have meter nuts
without support lip.

- Standard device for 5/8", 5/8" x 3/4", 3/4" = 4" - 5" Long FNPT x FNPT
- Standard device for 1" = 5" - 6" Long FNPT x FNPT

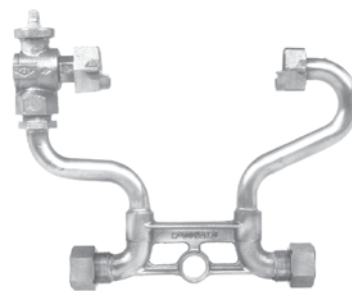
OPTIONS

- Assemblies shipped with two 1/8" EPDM rubber meter gaskets.
- Insert stiffeners are required on all flexible plastic connections.
- **Not all combinations available, contact factory with your requirements.**
- **MOST METER SETTERS ARE MADE TO ORDER AND ARE NOT RETURNABLE.**
- Please verify with the factory that the model number you have configured is available and meets your requirements.

721 Series

FOR 5/8", 5/8" X 3/4", 3/4", OR 1" METERS

Horizontal Style, Integral CTS, PEP or C903 Compression Inlet/Outlet



5/8" Meter Size	Carton PCS/WT	Price	5/8" x 3/4" Meter Size	Carton PCS/WT	Price	3/4" Meter Size	Carton PCS/WT	Price	1" Meter Size	Carton PCS/WT	Price
721-107WXTT 33	6/24	\$ 170.40	721-207WXTT 33	6/29	\$ 173.76	721-307WXTT 33	6/30	\$ 203.38	721-410WXTT 44	3/26	\$ 350.23
721-109WXTT 33	6/29	\$ 175.58	721-209WXTT 33	6/30	\$ 175.58	721-309WXTT 33	6/25	\$ 203.38	721-412WXTT 44	3/30	\$ 356.82
721-112WXTT 33	6/30	\$ 177.58	721-212WXTT 33	6/30	\$ 180.68	721-312WXTT 33	6/30	\$ 208.82	721-415WXTT 44	3/31	\$ 364.84
721-115WXTT 33	6/36	\$ 184.06	721-215WXTT 33	6/35	\$ 187.21	721-315WXTT 33	6/35	\$ 216.10	721-418WXTT 44	3/33	\$ 412.41
721-118WXTT 33	6/34	\$ 206.14	721-218WXTT 33	6/41	\$ 209.60	721-318WXTT 33	6/35	\$ 248.56	721-421WXTT 44	3/33	\$ 429.72
721-121WXTT 33	6/41	\$ 212.31	721-221WXTT 33	6/44	\$ 215.72	721-321WXTT 33		\$ 259.31	721-424WXTT 44	3/51	\$ 434.94
721-124WXTT 33	6/52	\$ 219.11	721-224WXTT 33	6/49	\$ 222.53	721-324WXTT 33		\$ 267.14			

Inlet / Outlet Option Adders (Price per end):

5/8", 5/8" x 3/4", or 3/4" Meters

Option	Size	List	Size	List	Size	List
B - "-3G" PEP Grip	3/4"	N/C	1"	\$ 12.16		
G - "G" CTS Grip	3/4"	N/C	1"	\$ 16.23	1 1/4"	\$ 39.39
H - "H" CTS HandyLoc	3/4"	\$ 3.27	1"	\$ 20.58		
J - C903 type	3/4"	\$ 24.42	1"	\$ 33.59		
Q - "Q" CTS	3/4"	N/C	1"	\$ 16.22	1 1/4"	\$ 39.39
T - "T" CTS	3/4"	N/C	1"	\$ 16.22	1 1/4"	\$ 39.39
Y - "-3H" Pep HandyLoc	3/4"	\$ 4.36	1"	\$ 18.72		
Z - "-3Q" PEP pipe	3/4"	N/C	1"	\$ 12.18		

1" Meters

Option	Size	List	Size	List	Size	List
B - "-3G" PEP Grip	1"	\$ 13.25				
G - "G" CTS Grip	1"	N/C	1 1/4"	\$ 10.81	1 1/2"	\$ 21.64
H - "H" CTS HandyLoc	1"	\$ 4.36				
J - C903 type	1"	\$ 33.59				
Q - "Q" CTS	1"	N/C	1 1/4"	\$ 10.81	1 1/2"	\$ 21.64
T - "T" CTS	1"	N/C	1 1/4"	\$ 10.81	1 1/2"	\$ 21.64
Y - "-3H" Pep HandyLoc	1"	\$ 19.86				
Z - "-3Q" PEP pipe	1"	\$ 13.32				

Single Setter (with Saddle Nut)

Options - add or subtract from base setter model		1	2	3	4
		5/8"	5/8" x 3/4"	3/4"	1"
Standard Ball Valve	W	\$ 61.80	\$ 61.80	\$ 61.80	\$ 124.02
Full Port Ball Valve	J	\$ 112.86	\$ 112.86	\$ 112.86	\$ 170.02
Single Check Valve	C	\$ 56.11	\$ 56.11	\$ 56.11	\$ 67.45
Plug Valve	L	\$ 50.86	\$ 50.86	\$ 50.86	\$ 77.98
Dual Check - ASSE	D	\$ 112.97	\$ 112.97	\$ 112.97	\$ 107.14
Dual Check - ASSE - Full Port	M	N/C	N/C	N/C	\$ 196.08
Dual Check - Cascading (* adds x992 to end of model)	D*	\$ 103.09	\$ 103.09	\$ 103.09	\$ 107.15
Meter Swivel Nut	X	N/C	N/C	N/C	N/C
Additional height in 3" increments	X	\$ 6.91	\$ 6.91	\$ 9.53	\$ 11.07

Tandem Setter (less Saddle Nut)

Change model from 72 series to 75 series

Options - add or subtract from base setter model		1	2	3	4
		5/8"	5/8" x 3/4"	3/4"	1"
Standard Ball Valve	Q	\$ 61.80	\$ 61.80	\$ 61.80	\$ 124.02
Full Port Ball Valve	K	\$ 112.86	\$ 112.86	\$ 112.86	\$ 170.02
Single Check Valve	A	\$ 56.11	\$ 56.11	\$ 56.11	\$ 67.45
Plug Valve	G	\$ 50.86	\$ 50.86	\$ 50.86	\$ 77.98
Dual Check - ASSE	F	\$ 112.97	\$ 112.97	\$ 112.97	\$ 107.14
Dual Check - ASSE - Full Port	P	N/C	N/C	N/C	\$ 196.08
Dual Check - Cascading (* adds x992 to end of model)	F*	\$ 103.09	\$ 103.09	\$ 103.09	\$ 107.15
Meter Swivel Nut	N	N/C	N/C	N/C	N/C
Height adder	7" - 9"	\$ 121.72	\$ 130.05	\$ 158.11	--
	12"	\$ 121.72	\$ 130.05	\$ 159.11	\$ 237.46
	15"	\$ 107.01	\$ 115.29	\$ 144.41	\$ 237.46
	18" - 21"	\$ 110.47	\$ 118.85	\$ 147.95	\$ 237.46
	24"	\$ 110.47	\$ 118.85	\$ 147.95	\$ 249.25

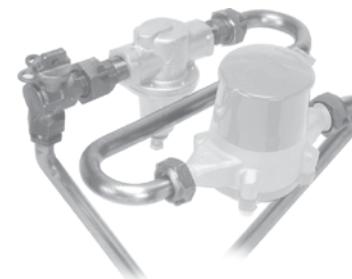
Tandem Setters or resetters include (2) 74619 connections and "S" tube with meter swivel nuts

Contact Factory for the following:

1. Handles for ball valves
2. Test cap on check valves
3. 360° turn valve cap (less check)

NOTES:

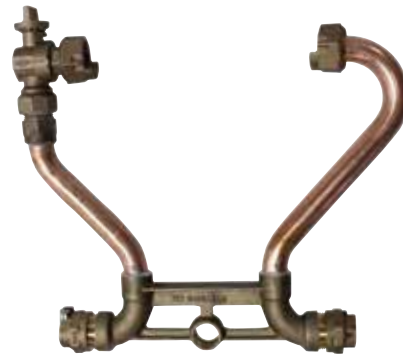
- 12" minimum height for 1" setters with dual check.
- Horizontal bracing eye, wire seal hole and locking are standard.
- N/C = No additional charge.



722 Series

FOR 5/8", 5/8" X 3/4", 3/4", OR 1" METERS

Horizontal Style, Integral -22 CTS, -33 PEP-7, -44 PVC, or -55 IP Compression Inlet/Outlet

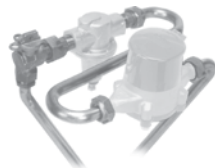


To order 722 Series Model No. **722-207WX22 33** above means:

722	-	2	07	INLET OUTLET WX	INLET OUTLET 22		33
Series	Style -- = Standard	Meter Size 1 = 5/8" 2 = 5/8" x 3/4" 3 = 3/4" 4 = 1"	Meter Height 07 = 7" 09 = 9" 10 = 10" Minimum 1" Meter 12 = 12" 15 = 15" 18 = 18" 21 = 21" 24 = 24" 27 = 27"	Inlet and Outlet Valves C = 3/4" & 1" Port Angle Single Check Valve D = 3/4" Port Angle Dual Check Valve (ASSE 1024) L = Angle Lockwing Plug Valve J = 3/4" & 1" Port Angle Lockwing Ball Valve M = 1" Port Angle Dual Check Valve (ASSE 1024) W = Standard Port Angle Lockwing Ball Valve X = Flanged Tubing with Meter Nut For other special meter connections, contact factory.	Type of connection Inlet and Outlet 5/8", 5/8" x 3/4", 3/4" Meters 2 = -22 CTS MacPak Integral (3/4", 1", 1 1/4", 3/4" x 1", 1" x 3/4", 1" x 1 1/4", or 1 1/4" x 1") 3 = -33 PEP-7 MacPak Integral (3/4", 1", 3/4" x 1", 1" x 3/4") 4 = -44 PVC MacPak Integral (3/4", 1", 3/4" x 1", 1" x 3/4") 5 = -55 IP MacPak Integral (3/4", 1", 3/4" x 1", 1" x 3/4")	Blank Space	Size Inlet & Outlet 3 = 3/4" 4 = 1" 5 = 1 1/4" 6 = 1 1/2"
		18" & Taller includes Brace Support Bar	Additional heights available, contact factory				

For Tandem Series

752
Series
Horizontal
Tandem
Setter



Example 752-207QN22 33
Tandem setters are supplied with adapters and "S" tube. Please specify device length and threads when ordering.
12" minimum height on 1" tandem

- A = 3/4" & 1" Port Angle Single Check Valve
- F = 3/4" Port Angle Dual Check Valve (ASSE 1024)
- G = Angle Lockwing Plug Valve
- K = 3/4" & 1" Port Angle Lockwing Ball Valve
- N = Flanged Tubing with Meter Nut
- P = 1" Port Angle Dual Check Valve (ASSE 1024)
- Q = Standard Port Angle Lockwing Ball Valve
- Z = Brass Elbow

NOTE: Unless specified all tandem components have meter nuts without support lip.

- Standard device for 5/8", 5/8" x 3/4", 3/4" = 4" - 5" Long FNPT x FNPT
- Standard device for 1" = 5" - 6" Long FNPT x FNPT

OPTIONS

- Assemblies shipped with two 1/8" EPDM rubber meter gaskets.
- Insert stiffeners are required on all flexible plastic connections.
- **Not all combinations available, contact factory with your requirements.**
- **MOST METER SETTERS ARE MADE TO ORDER AND ARE NOT RETURNABLE.**
- **Please verify with the factory that the model number you have configured is available and meets your requirements.**

722 Series

FOR 5/8", 5/8" X 3/4", 3/4", OR 1" METERS

Horizontal Style, Integral -22 CTS, -33 PEP-7, -44 PVC, or -55 IP Compression Inlet/Outlet



5/8" Meter Size	Carton PCS/WT	Price	5/8" x 3/4" Meter Size	Carton PCS/WT	Price	3/4" Meter Size	Carton PCS/WT	Price	1" Meter Size	Carton PCS/WT	Price
722-107WX22 33	6/32	\$ 170.40	722-207WX22 33	6/27	\$ 173.76	722-307WX22 33	6/30	\$ 203.38	722-410WX22 44	3/28	\$ 350.23
722-109WX22 33	6/29	\$ 172.32	722-209WX22 33	6/30	\$ 175.58	722-309WX22 33	6/29	\$ 203.38	722-412WX22 44	3/27	\$ 356.82
722-112WX22 33	6/31	\$ 177.58	722-212WX22 33	6/30	\$ 180.68	722-312WX22 33	6/30	\$ 208.82	722-415WX22 44	3/31	\$ 364.84
722-115WX22 33	6/32	\$ 184.06	722-215WX22 33	6/33	\$ 187.21	722-315WX22 33	6/33	\$ 216.10	722-418WX22 44	3/30	\$ 412.41
722-118WX22 33	6/28	\$ 206.14	722-218WX22 33	6/38	\$ 209.60	722-318WX22 33	6/36	\$ 248.56	722-421WX22 44	3/40	\$ 429.72
722-121WX22 33		\$ 212.31	722-221WX22 33	6/41	\$ 215.72	722-321WX22 33		\$ 259.31	722-424WX22 44	3/40	\$ 434.94
722-124WX22 33	6/50	\$ 219.11	722-224WX22 33	6/43	\$ 222.53	722-324WX22 33		\$ 267.14			

Inlet / Outlet Option Adders (Price per end):

5/8", 5/8" x 3/4", or 3/4" Meters

Option	Size	List	Size	List	Size	List
2 - "-22" CTS	3/4"	N/C	1"	\$ 16.22	1 1/4"	\$ 39.39
3 - "-33" PEP	3/4"	N/C	1"	\$ 12.18		
4 - "-44" PVC	3/4"	N/C	1"	\$ 12.18		
5 - "-55" IP	3/4"	N/C	1"	\$ 12.18		

1" Meters

Option	Size	List	Size	List	Size	List
2 - "-22" CTS	1"	N/C	1 1/4"	\$ 10.81	1 1/2"	\$ 21.64
3 - "-33" PEP	1"	\$ 13.32				
4 - "-44" PVC	1"	\$ 13.32				
5 - "-55" IP	1"	\$ 13.32				

Single Setter (with Saddle Nut)

Options - add or subtract from base setter model		1	2	3	4
		5/8"	5/8" x 3/4"	3/4"	1"
Standard Ball Valve	W	\$ 61.80	\$ 61.80	\$ 61.80	\$ 124.02
Full Port Ball Valve	J	\$ 112.86	\$ 112.86	\$ 112.86	\$ 170.02
Single Check Valve	C	\$ 56.11	\$ 56.11	\$ 56.11	\$ 67.45
Plug Valve	L	\$ 50.86	\$ 50.86	\$ 50.86	\$ 77.98
Dual Check - ASSE	D	\$ 112.97	\$ 112.97	\$ 112.97	\$ 107.14
Dual Check - ASSE - Full Port	M	N/C	N/C	N/C	\$ 196.08
Dual Check - Cascading (* adds x992 to end of model)	D*	\$ 103.09	\$ 103.09	\$ 103.09	\$ 107.15
Meter Swivel Nut	X	N/C	N/C	N/C	N/C
Additional height in 3" increments	X	\$ 6.91	\$ 6.91	\$ 9.53	\$ 11.07

Tandem Setter (less Saddle Nut)

Change model from 72 series to 75 series

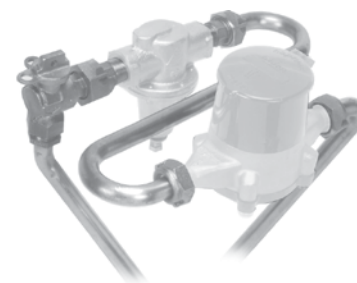
Options - add or subtract from base setter model		1	2	3	4
		5/8"	5/8" x 3/4"	3/4"	1"
Standard Ball Valve	Q	\$ 61.80	\$ 61.80	\$ 61.80	\$ 124.02
Full Port Ball Valve	K	\$ 112.86	\$ 112.86	\$ 112.86	\$ 170.02
Single Check Valve	A	\$ 56.11	\$ 56.11	\$ 56.11	\$ 67.45
Plug Valve	G	\$ 50.86	\$ 50.86	\$ 50.86	\$ 77.98
Dual Check - ASSE	F	\$ 112.97	\$ 112.97	\$ 112.97	\$ 107.14
Dual Check - ASSE - Full Port	P	N/C	N/C	N/C	\$ 196.08
Dual Check - Cascading (* adds x992 to end of model)	F*	\$ 103.09	\$ 103.09	\$ 103.09	\$ 107.15
Meter Swivel Nut	N	N/C	N/C	N/C	N/C
Height adder					
	7" - 9"	\$ 121.72	\$ 130.05	\$ 158.11	--
	12"	\$ 121.72	\$ 130.05	\$ 159.11	\$ 237.46
	15"	\$ 107.01	\$ 115.29	\$ 144.41	\$ 237.46
	18" - 21"	\$ 110.47	\$ 118.85	\$ 147.95	\$ 237.46
	24"	\$ 110.47	\$ 118.85	\$ 147.95	\$ 249.25

Tandem Setters or resetters include (2) 74619 connections and "S" tube with meter swivel nuts

Contact Factory for the following:

- Handles for ball valves
- Test cap on check valves
- 360° turn valve cap (less check)

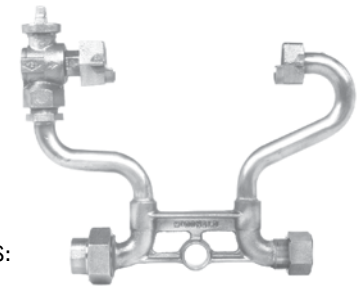
- NOTES:
- 12" minimum height for 1" setters with dual check.
 - Horizontal bracing eye, wire seal hole and locking are standard.
 - N/C = No additional charge.



723 Series

FOR 5/8", 5/8" X 3/4", 3/4", OR 1" METERS

Horizontal Style, Dual Purpose Union Inlet x Integral CTS Outlet

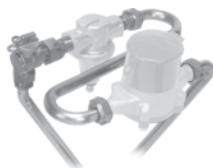


To order 723 Series Model No. **723-207WXDT 33** above means:

723	-	2	07	INLET OUTLET WX	INLET OUTLET DT	Blank Space	33
Series	Style -- Standard	Meter Size 1 = 5/8" 2 = 5/8" x 3/4" 3 = 3/4" 4 = 1"	Meter Height 07 = 7" 09 = 9" 10 = 10" Standard 1" Meter 12 = 12" 15 = 15" 18 = 18" 21 = 21" 24 = 24" 27 = 27"	Inlet and Outlet Valves C = 3/4" & 1" Port Angle Single Check Valve D = 3/4" Port Angle Dual Check Valve (ASSE 1024) L = Angle Lockwing Plug Valve J = 3/4" & 1" Port Angle Lockwing Ball Valve M = 1" Port Angle Dual Check Valve (ASSE 1024) W = Standard Port Angle Lockwing Ball Valve X = Flanged Tubing with Meter Nut For other special meter connections, contact factory.	Type of connection Inlet and Outlet 5/8", 5/8" x 3/4", 3/4" Meters Inlet Connections C = Copper Flare Union (3/4" or 1") D = Double Purpose Union (Flare or FNPT) (3/4") F = FNPT Union (1/2" or 1") G = "G" CTS McGrip Union (3/4") H = "H" CTS HandyLoc Union (3/4") J = C903 Union (3/4") L = Less Double Purpose Nut, Connection & Gasket (3/4") M = MNPT Union (3/4", 1") Q = "Q" CTS McQuik Union (3/4") S = Solder Union (3/4" or 1") T = "T" CTS Union (3/4" or 1") 2 = "-22" CTS MacPak Union (3/4" or 1") 3 = "-33" PEP MacPak Union (3/4") 4 = "-44" PVC MacPak Union (3/4") 5 = "-55" IP MacPak Union (3/4")		Size Inlet & Outlet 1 = 1/2" 3 = 3/4" 4 = 1" 5 = 1 1/4" 6 = 1 1/2"
			18" & Taller includes Brace Support Bar				

For Tandem Series

753
Series
Horizontal
Tandem
Setter



Example 753-207QNDT 33
Tandem setters are supplied with adapters and "S" tube. Please specify device length and threads when ordering.
12" minimum height on 1" tandem

- Standard device for 5/8", 5/8" x 3/4", 3/4" = 4" - 5" Long FNPT x FNPT
- Standard device for 1" = 5" - 6" Long FNPT x FNPT

- A = 3/4" & 1" Port Angle Single Check Valve
- F = 3/4" Port Angle Dual Check Valve (ASSE 1024)
- G = Angle Lockwing Plug Valve
- K = 3/4" & 1" Port Angle Lockwing Ball Valve
- N = Flanged Tubing with Meter Nut
- P = 1" Port Angle Dual Check Valve (ASSE 1024)
- Q = Standard Port Angle Lockwing Ball Valve
- Z = Brass Elbow

NOTE: Unless specified all tandem components have meter nuts without support lip.

Outlet Connections

- B = "-3G" PEP McGrip Integral (3/4", 1")
- G = "G" CTS McGrip Integral (3/4", 1", 1 1/4")
- H = "H" CTS PE Handyloc Integral (3/4", 1")
- J = C903 Integral (3/4", 1")
- Q = "Q" CTS McQuik Integral (3/4", 1", 1 1/4")
- T = "T" CTS Integral (3/4", 1", 1 1/4")
- Y = "-3H" PEP Handyloc Integral (3/4", 1")
- Z = "-3Q" PEP McQuik Integral (3/4", 1")

1" Meters

Inlet Connections

- D = Double Purpose Union (Flare or FNPT) (1")
- J = C903 Compression Union (1")
- L = Less Double Purpose Nut, Connection & Gasket (1")
- M = MNPT Union (1" or 1 1/4")
- Q = "Q" CTS McQuik Union (1")
- S = Solder Union (1")
- T = "T" CTS Union (1")
- 2 = "-22" CTS MacPak Union (1")

Outlet Connections

- B = "-3G" PEP McGrip Integral (1")
- G = "G" CTS McGrip Integral (1", 1 1/4")
- H = "H" CTS PE Handyloc Integral (1")
- J = C903 Integral (1")
- Q = "Q" CTS McQuik Integral (1", 1 1/4")
- T = "T" CTS Integral (1", 1 1/4")
- Y = -3H PEP Handyloc Integral (1")
- Z = -3Q PEP McQuik Integral (1")

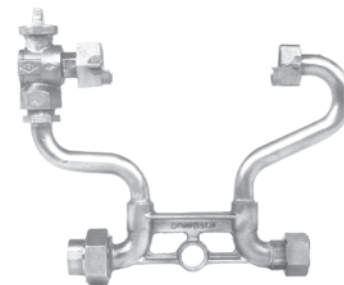
OPTIONS

- Assemblies shipped with two 1/8" EPDM rubber meter gaskets.
- Insert stiffeners are required on all flexible plastic connections.
- **Not all combinations available, contact factory with your requirements.**
- **MOST METER SETTERS ARE MADE TO ORDER AND ARE NOT RETURNABLE.**
- Please verify with the factory that the model number you have configured is available and meets your requirements.

723 Series

FOR 5/8", 5/8" X 3/4", 3/4", OR 1" METERS

Horizontal Style, Dual Purpose Union Inlet x Integral CTS Outlet



5/8" Meter Size	Carton PCS/WT	Price	5/8" x 3/4" Meter Size	Carton PCS/WT	Price	3/4" Meter Size	Carton PCS/WT	Price	1" Meter Size	Carton PCS/WT	Price
723-107WXDT 33	6/30	\$ 173.31	723-207WXDT 33	6/27	\$ 176.65	723-307WXDT 33	6/32	\$ 206.27	723-410WXDT 44	3/30	\$ 367.04
723-109WXDT 33	6/31	\$ 175.23	723-209WXDT 33	6/25	\$ 178.43	723-309WXDT 33	6/25	\$ 206.27	723-412WXDT 44	3/30	\$ 379.75
723-112WXDT 33	6/26	\$ 180.46	723-212WXDT 33	6/29	\$ 183.53	723-312WXDT 33	6/30	\$ 211.68	723-415WXDT 44		\$ 382.67
723-115WXDT 33	6/28	\$ 186.95	723-215WXDT 33	6/28	\$ 190.11	723-315WXDT 33	6/28	\$ 219.00	723-418WXDT 44	3/41	\$ 430.27
723-118WXDT 33	6/29	\$ 209.02	723-218WXDT 33	6/29	\$ 212.46	723-318WXDT 33	6/29	\$ 251.42	723-421WXDT 44		\$ 447.54
723-121WXDT 33		\$ 215.18	723-221WXDT 33		\$ 218.64	723-321WXDT 33		\$ 262.46	723-424WXDT 44		\$ 452.80
723-124WXDT 33		\$ 221.98	723-224WXDT 33	6/36	\$ 225.41	723-324WXDT 33		\$ 270.04			

Inlet Option Adders (Price per end):

5/8", 5/8" x 3/4", or 3/4" Meters

Option	Size	List	Size	List
C - Copper flare union	3/4"	\$ 19.82	1"	\$ 35.65
D - Double Purpose union (Flare or FNPT)	3/4"	N/C		
F - FNPT union	1/2"	\$ 10.27	1"	\$ 9.24
G - "G" CTS union	3/4"	\$ 14.15		
H - "H" CTS HandyLoc union	3/4"	\$ 17.42		
J - C903 type union	3/4"	\$ 38.56		
L - Less end connection	3/4"	\$ (-14.49)		
M - MNPT union	3/4"	N/C	1"	\$ 9.24
Q - "Q" CTS	3/4"	\$ 14.15		
S - Solder union	3/4"	N/C	1"	\$ 4.79
T - "T" CTS union	3/4"	\$ 14.15	1"	\$ 31.80
2 - "-22" CTS union	3/4"	\$ 14.15	1"	\$ 31.80
3 - "-33" PEP union	3/4"	\$ 40.85		
4 - "-44" PVC union	3/4"	\$ 40.85		
5 - "-55" IP union	3/4"	\$ 40.85		

1" Meters

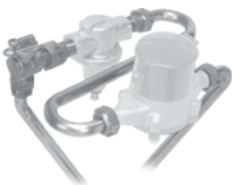
Option	Size	List
D - Double Purpose Union (Flare or FNPT)	1"	N/C
J - C903 type union	1"	\$ 30.82
L - Less end connection	1"	\$ (-21.30)
M - MNPT union	1"	N/C
Q - "Q" CTS	1"	\$ 23.57
S - Solder union	1"	N/C
T - "T" CTS union	1"	\$ 23.57
2 - "-22" CTS union	1"	\$ 23.57

Contact Factory for the following:

1. Handles for ball valves
2. Test cap on check valves
3. 360° turn valve cap (less check)

NOTES:

- 12" minimum height for 1" setters with dual check.
- Horizontal bracing eye, wire seal hole and locking are standard.
- N/C = No additional charge.



See Page 299 for line drawings of End Connections and Assemblies.

Outlet Option Adders (Price per end):

5/8", 5/8" x 3/4", or 3/4" Meters

Option	Size	List	Size	List	Size	List
B - "-3G" PEP Grip	3/4"	N/C	1"	\$ 12.16		
G - "G" CTS Grip	3/4"	N/C	1"	\$ 16.23	1 1/4"	\$ 39.39
H - "H" CTS HandyLoc	3/4"	\$ 3.27	1"	\$ 20.58		
J - C903 type	3/4"	\$ 24.42	1"	\$ 33.59		
Q - "Q" CTS	3/4"	N/C	1"	\$ 16.22	1 1/4"	\$ 39.39
T - "T" CTS	3/4"	N/C	1"	\$ 16.22	1 1/4"	\$ 39.39
Y - "-3H" Pep HandyLoc	3/4"	\$ 4.36	1"	\$ 18.72		
Z - "-3Q" PEP pipe	3/4"	N/C	1"	\$ 12.18		

1" Meters

Option	Size	List	Size	List
B - "-3G" PEP Grip	1"	\$ 12.16		
G - "G" CTS Grip	1"	N/C	1 1/4"	\$ 9.92
H - "H" CTS HandyLoc	1"	\$ 4.00		
J - C903 type	1"	\$ 30.82		
Q - "Q" CTS	1"	N/C	1 1/4"	\$ 9.92
T - "T" CTS	1"	N/C	1 1/4"	\$ 9.92
Y - "-3H" Pep HandyLoc	1"	\$ 18.22		
Z - "-3Q" PEP pipe	1"	\$ 12.22		

Single Setter (with Saddle Nut)

Options - add or subtract from base setter model		1 2 3 4			
		5/8"	5/8" x 3/4"	3/4"	1"
Standard Ball Valve	W	\$ 61.80	\$ 61.80	\$ 61.80	\$ 124.02
Full Port Ball Valve	J	\$ 112.86	\$ 112.86	\$ 112.86	\$ 170.02
Single Check Valve	C	\$ 56.11	\$ 56.11	\$ 56.11	\$ 67.45
Plug Valve	L	\$ 50.86	\$ 50.86	\$ 50.86	\$ 77.98
Dual Check - ASSE	D	\$ 112.97	\$ 112.97	\$ 112.97	\$ 107.14
Dual Check - ASSE - Full Port	M	N/C	N/C	N/C	\$ 196.08
Dual Check - Cascading (* adds x992 to end of model)	D*	\$ 103.09	\$ 103.09	\$ 103.09	\$ 107.15
Meter Swivel Nut	X	N/C	N/C	N/C	N/C
Additional height in 3" increments	X	\$ 6.91	\$ 6.91	\$ 9.53	\$ 11.07

Tandem Setter (less Saddle Nut)

Change model from 72 series to 75 series

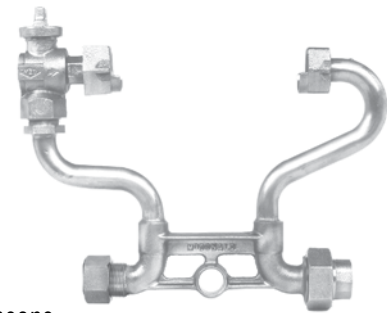
Options - add or subtract from base setter model		1 2 3 4			
		5/8"	5/8" x 3/4"	3/4"	1"
Standard Ball Valve	Q	\$ 61.80	\$ 61.80	\$ 61.80	\$ 124.02
Full Port Ball Valve	K	\$ 112.86	\$ 112.86	\$ 112.86	\$ 170.02
Single Check Valve	A	\$ 56.11	\$ 56.11	\$ 56.11	\$ 67.45
Plug Valve	G	\$ 50.86	\$ 50.86	\$ 50.86	\$ 77.98
Dual Check - ASSE	F	\$ 112.97	\$ 112.97	\$ 112.97	\$ 107.14
Dual Check - ASSE - Full Port	P	N/C	N/C	N/C	\$ 196.08
Dual Check - Cascading (* adds x992 to end of model)	F*	\$ 103.09	\$ 103.09	\$ 103.09	\$ 107.15
Meter Swivel Nut	N	N/C	N/C	N/C	N/C
Height adder	7" - 9"	\$ 121.72	\$ 130.05	\$ 158.11	-
	12"	\$ 121.72	\$ 130.05	\$ 159.11	\$ 237.46
	15"	\$ 107.01	\$ 115.29	\$ 144.41	\$ 237.46
	18" - 21"	\$ 110.47	\$ 118.85	\$ 147.95	\$ 237.46
	24"	\$ 110.47	\$ 118.85	\$ 147.95	\$ 249.25

Tandem Setters or resetters include (2) 74619 connections and "S" tube with meter swivel nuts

724 Series

FOR 5/8", 5/8" X 3/4", 3/4", OR 1" METERS

Horizontal Style, Integral CTS, PEP, or C903 Compression - Inlet x Dual Purpose Union Outlet



To order 724 Series Model No. **724-207WXTD 33** above means:

724	-	2	07	INLET OUTLET WX	INLET OUTLET TD		33
Series	Style -- = Standard	Meter Size 1 = 5/8" 2 = 5/8" x 3/4" 3 = 3/4" 4 = 1"	Meter Height 07 = 7" 09 = 9" 10 = 10" Standard 1" Meter 12 = 12" 15 = 15" 18 = 18" 21 = 21" 24 = 24" 27 = 27"	Inlet and Outlet Valves C = 3/4" & 1" Port Angle Single Check Valve D = 3/4" Port Angle Dual Check Valve (ASSE 1024) L = Angle Lockwing Plug Valve J = 3/4" & 1" Port Angle Lockwing Ball Valve M = 1" Port Angle Dual Check Valve (ASSE 1024) W = Standard Port Angle Lockwing Ball Valve X = Flanged Tubing with Meter Nut	Type of connection Inlet and Outlet 5/8", 5/8" x 3/4", 3/4" Meters Inlet Connections B = "-3G" PEP McGrip Integral (3/4", 1") G = "G" CTS McGrip Integral (3/4", 1", 1 1/4") H = "H" CTS PE Handyloc Integral (3/4", 1") J = C903 Integral (3/4", 1") Q = "Q" CTS McQuik Integral (3/4", 1", 1 1/4") T = "T" CTS Integral (3/4", 1", 1 1/4") Y = "-3H" PEP Handyloc Integral (3/4", 1") Z = "-3Q" PEP McQuik Integral (3/4", 1")	Blank Space	Size Inlet & Outlet 1 = 1/2" 3 = 3/4" 4 = 1" 5 = 1 1/4"

18" & Taller includes Brace Support Bar

Additional heights available, contact factory

For other special meter connections, contact factory.

For Tandem Series

754 Series Horizontal Tandem Setter



Example 754-207QNTD 33

Tandem setters are supplied with adapters and "S" tube. Please specify device length and threads when ordering.
12" minimum height on 1" tandem

- A = 3/4" & 1" Port Angle Single Check Valve
 - F = 3/4" Port Angle Dual Check Valve (ASSE 1024)
 - G = Angle Lockwing Plug Valve
 - K = 3/4" & 1" Port Angle Lockwing Ball Valve
 - N = Flanged Tubing with Meter Nut
 - P = 1" Port Angle Dual Check Valve (ASSE 1024)
 - Q = Standard Port Angle Lockwing Ball Valve
 - Z = Brass Elbow
- NOTE:** Unless specified all tandem components have meter nuts without support lip.
- 1" Meters**
Inlet Connections
B = "-3G" PEP McGrip Integral (1")
G = "G" CTS McGrip Integral (1", 1 1/4")
H = "H" CTS PE Handyloc Integral (1")
J = C903 Integral (1")
Q = "Q" CTS McQuik Integral (1", 1 1/4")
T = "T" CTS Integral (1", 1 1/4")
Y = "-3H" PEP Handyloc Integral (1")
Z = "-3Q" PEP McQuik Integral (1")
- Outlet Connections**
D = Double Purpose Union (Flare or FNPT) (3/4")
F = FNPT Union (1/2" or 1")
L = Less Double Purpose Nut, Connection & Gasket
M = MNPT Union (3/4", 1")
S = Solder Union (3/4" or 1")
T = "T" CTS Union (3/4" or 1")
2 = "-22" CTS MacPak Union (3/4" or 1")
3 = "-33" PEP MacPak Union (3/4")
4 = "-44" PVC MacPak Union (3/4")
5 = "-55" IP MacPak Union (3/4")

- Standard device for 5/8", 5/8" x 3/4", 3/4" = 4" - 5" Long FNPT x FNPT
- Standard device for 1" = 5" - 6" Long FNPT x FNPT

OPTIONS

- Assemblies shipped with two 1/8" EPDM rubber meter gaskets.
- Insert stiffeners are required on all flexible plastic connections.
- **Not all combinations available, contact factory with your requirements.**
- **MOST METER SETTERS ARE MADE TO ORDER AND ARE NOT RETURNABLE.**
- Please verify with the factory that the model number you have configured is available and meets your requirements.

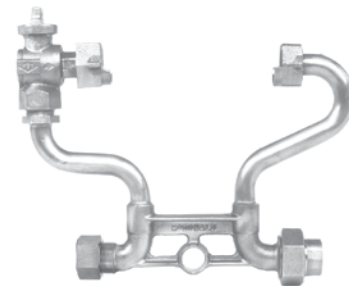
Outlet Connections

- D = Double Purpose Union (Flare or FNPT) (1")
- J = C903 Union (1")
- L = Less Double Purpose Nut, Connection & Gasket
- M = MNPT Union (1" or 1 1/4")
- Q = "Q" CTS McQuik Union (1")
- S = Solder Union (1")
- T = "T" CTS Union (1")
- 2 = -22 CTS MacPak Union (1")

724 Series

FOR 5/8", 5/8" X 3/4", 3/4", OR 1" METERS

Horizontal Style, Integral CTS, PEP, or C903 Compression - Inlet x Dual Purpose Union Outlet



5/8" Meter Size	Carton PCS/WT	Price	5/8" x 3/4" Meter Size	Carton PCS/WT	Price	3/4" Meter Size	Carton PCS/WT	Price	1" Meter Size	Carton PCS/WT	Price
724-107WXTD 33	6/30	\$ 173.31	724-207WXTD 33	6/33	\$ 176.65	724-307WXTD 33	6/27	\$ 206.27	724-410WXTD 44	3/30	\$ 367.04
724-109WXTD 33	6/31	\$ 175.23	724-209WXTD 33	6/27	\$ 178.43	724-309WXTD 33	6/27	\$ 206.27	724-412WXTD 44	3/30	\$ 374.65
724-112WXTD 33	6/32	\$ 180.46	724-212WXTD 33	6/35	\$ 183.53	724-312WXTD 33	6/26	\$ 211.68	724-415WXTD 44	3/33	\$ 382.69
724-115WXTD 33	6/28	\$ 186.95	724-215WXTD 33	6/28	\$ 190.11	724-315WXTD 33	6/28	\$ 219.00	724-418WXTD 44	3/39	\$ 430.27
724-118WXTD 33	6/29	\$ 209.02	724-218WXTD 33	6/41	\$ 212.46	724-318WXTD 33	6/29	\$ 251.42	724-421WXTD 44	3/40	\$ 447.52
724-121WXTD 33		\$ 215.18	724-221WXTD 33	6/43	\$ 218.64	724-321WXTD 33		\$ 262.46	724-424WXTD 44	3/39	\$ 452.80
724-124WXTD 33		\$ 221.98	724-224WXTD 33	6/41	\$ 225.41	724-324WXTD 33		\$ 270.04			

Inlet Option Adders (Price per end):

5/8", 5/8" x 3/4", or 3/4" Meters

Option	Size	List	Size	List	Size	List
B - "3G" PEP Grip	3/4"	N/C	1"	\$ 12.16		
G - "G" CTS Grip	3/4"	N/C	1"	\$ 16.23	1 1/4"	\$ 39.39
H - "H" CTS HandyLoc	3/4"	\$ 3.27	1"	\$ 20.58		
J - C903 type	3/4"	\$ 24.42	1"	\$ 33.59		
Q - "Q" CTS	3/4"	N/C	1"	\$ 16.22	1 1/4"	\$ 39.39
T - "T" CTS	3/4"	N/C	1"	\$ 16.22	1 1/4"	\$ 39.39
Y - "-3H" Pep HandyLoc	3/4"	\$ 4.36	1"	\$ 18.72		
Z - "-3Q" PEP pipe	3/4"	N/C	1"	\$ 12.18		

1" Meters

Option	Size	List	Size	List
B - "3G" PEP Grip	1"	\$ 13.32		
G - "G" CTS Grip	1"	N/C	1 1/4"	\$ 10.81
H - "H" CTS HandyLoc	1"	\$ 4.36		
J - C903 type	1"	\$ 33.59		
Q - "Q" CTS	1"	N/C	1 1/4"	\$ 10.81
T - "T" CTS	1"	N/C	1 1/4"	\$ 10.81
Y - "-3H" Pep HandyLoc	1"	\$ 19.86		
Z - "-3Q" PEP pipe	1"	\$ 13.32		

Single Setter (with Saddle Nut)

Options - add or subtract from base setter model		1	2	3	4
		5/8"	5/8" x 3/4"	3/4"	1"
Standard Ball Valve	W	\$ 61.80	\$ 61.80	\$ 61.80	\$ 124.02
Full Port Ball Valve	J	\$ 112.86	\$ 112.86	\$ 112.86	\$ 170.02
Single Check Valve	C	\$ 56.11	\$ 56.11	\$ 56.11	\$ 67.45
Plug Valve	L	\$ 50.86	\$ 50.86	\$ 50.86	\$ 77.98
Dual Check - ASSE	D	\$ 112.97	\$ 112.97	\$ 112.97	\$ 107.14
Dual Check - ASSE - Full Port	M	N/C	N/C	N/C	\$ 196.08
Dual Check - Cascading (* adds x992 to end of model)	D*	\$ 103.09	\$ 103.09	\$ 103.09	\$ 107.15
Meter Swivel Nut	X	N/C	N/C	N/C	N/C
Additional height in 3" increments	X	\$ 6.91	\$ 6.91	\$ 9.53	\$ 11.07

Tandem Setter (less Saddle Nut)

Change model from 72 series to 75 series

Options - add or subtract from base setter model		1	2	3	4
		5/8"	5/8" x 3/4"	3/4"	1"
Standard Ball Valve	Q	\$ 61.80	\$ 61.80	\$ 61.80	\$ 124.02
Full Port Ball Valve	K	\$ 112.86	\$ 112.86	\$ 112.86	\$ 170.02
Single Check Valve	A	\$ 56.11	\$ 56.11	\$ 56.11	\$ 67.45
Plug Valve	G	\$ 50.86	\$ 50.86	\$ 50.86	\$ 77.98
Dual Check - ASSE	F	\$ 112.97	\$ 112.97	\$ 112.97	\$ 107.14
Dual Check - ASSE - Full Port	P	N/C	N/C	N/C	\$ 196.08
Dual Check - Cascading (* adds x992 to end of model)	F*	\$ 103.09	\$ 103.09	\$ 103.09	\$ 107.15
Meter Swivel Nut	N	N/C	N/C	N/C	N/C
Height adder	7" - 9"	\$ 121.72	\$ 130.05	\$ 158.11	--
	12"	\$ 121.72	\$ 130.05	\$ 159.11	\$ 237.46
	15"	\$ 107.01	\$ 115.29	\$ 144.41	\$ 237.46
	18" - 21"	\$ 110.47	\$ 118.85	\$ 147.95	\$ 237.46
	24"	\$ 110.47	\$ 118.85	\$ 147.95	\$ 249.25

Tandem Setters or resetters include (2) 74619 connections and "S" tube with meter swivel nuts

Outlet Option Adders (Price per end):

5/8", 5/8" x 3/4", or 3/4" Meters

Option	Size	List	Size	List
C - Copper flare union	3/4"	\$ 19.82	1"	\$ 35.65
D - Double Purpose Union (Flare or FNPT)	3/4"	N/C		
F - FNPT union	1/2"	\$ 10.27	1"	\$ 9.24
G - "G" CTS union	3/4"	\$ 14.15		
H - "H" CTS HandyLoc union	3/4"	\$ 17.42		
J - C903 type union	3/4"	\$ 38.56		
L - Less end connection	3/4"	\$ (-14.49)		
M - MNPT union	3/4"	N/C	1"	\$ 9.24
Q - "Q" CTS	3/4"	\$ 14.15		
S - Solder union	3/4"	N/C	1"	\$ 4.79
T - "T" CTS union	3/4"	\$ 14.15	1"	\$ 31.80
2 - "-22" CTS union	3/4"	\$ 14.15	1"	\$ 31.80
3 - "-33" PEP union	3/4"	\$ 40.85		
4 - "-44" PVC union	3/4"	\$ 40.85		
5 - "-55" IP union	3/4"	\$ 40.85		

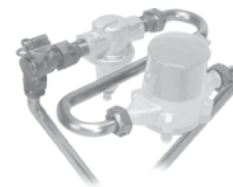
1" Meters

Option	Size	List
D - Double Purpose Union (Flare or FNPT)	1"	N/C
J - C903 type union	1"	\$ 33.59
L - Less end connection	1"	\$ (-23.22)
M - MNPT union	1"	N/C
Q - "Q" CTS union	1"	\$ 25.69
S - Solder union	1"	N/C
T - "T" CTS union	1"	\$ 25.69
2 - "-22" CTS union	1"	\$ 25.69

Contact Factory for the following:

1. Handles for ball valves
2. Test cap on check valves
3. 360° turn valve cap (less check)

- NOTES:**
- 12" minimum height for 1" setters with dual check.
 - Horizontal bracing eye, wire seal hole and lockwing are standard.
 - N/C = No additional charge.

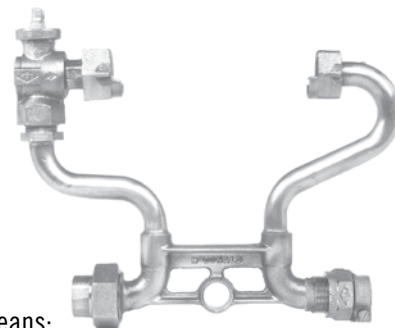


See Page 299 for line drawings of End Connections and Assemblies.

725 Series

FOR 5/8", 5/8" X 3/4", 3/4", OR 1" METERS

Horizontal Style, Dual Purpose Union Inlet x Integral CTS, PEP, or IP Compression -22, -33, -44, -55 Outlet

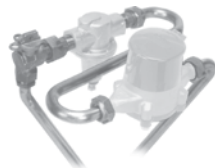


To order 725 Series Model No. **725-207WXd2 33** above means:

725	-	2	07	INLET OUTLET WX	INLET OUTLET D2		33
Series	Style -- = Standard	Meter Size 1 = 5/8" 2 = 5/8" x 3/4" 3 = 3/4" 4 = 1"	Meter Height 07 = 7" 09 = 9" 10 = 10" 12 = 12" 15 = 15" 18 = 18" 21 = 21" 24 = 24" 27 = 27"	Inlet and Outlet Valves C = 3/4" & 1" Port Angle Single Check Valve D = 3/4" Port Angle Dual Check Valve (ASSE 1024) L = Angle Lockwing Plug Valve J = 3/4" & 1" Port Angle Lockwing Ball Valve M = 1" Port Angle Dual Check Valve (ASSE 1024) W = Standard Port Angle Lockwing Ball Valve X = Flanged Tubing with Meter Nut For other special meter connections, contact factory.	Type of connection Inlet and Outlet 5/8", 5/8" x 3/4", 3/4" Meters Inlet Connections C = Copper Flare Union (3/4") D = Double Purpose Union (Flare or FNPT) (3/4") F = FNPT Union (1/2" or 1") G = "G" CTS McGrip Union (3/4") H = "H" CTS HandyLoc Union (3/4") J = C903 Union (3/4") L = Less Double Purpose Nut, Connection & Gasket M = MNPT Union (3/4", 1") Q = "Q" CTS McQuik Union (3/4") S = Solder Union (3/4" or 1") T = "T" CTS Union (3/4" or 1") 2 = -22 CTS MacPak Union (3/4" or 1") 3 = -33 PEP-7 MacPak Union (3/4") 4 = -44 PVC MacPak Union (3/4") 5 = -55 IP MacPak Union (3/4")	Blank Space	Size Inlet & Outlet 1 = 1/2" 3 = 3/4" 4 = 1" 5 = 1 1/4"
		18" & Taller includes Brace Support Bar	Additional heights available, contact factory				

For Tandem Series

755
Series
Horizontal
Tandem
Setter



Example 755-207QND2 33
Tandem setters are supplied with adapters and "S" tube. Please specify device length and threads when ordering.
12" minimum height on 1" tandem

- Standard device for 5/8", 5/8" x 3/4", 3/4" = 4"- 5" Long FNPT x FNPT
- Standard device for 1" = 5"- 6" Long FNPT x FNPT

- A = 3/4" & 1" Port Angle Single Check Valve
- F = 3/4" Port Angle Dual Check Valve (ASSE 1024)
- G = Angle Lockwing Plug Valve
- K = 3/4" & 1" Port Angle Lockwing Ball Valve
- N = Flanged Tubing with Meter Nut
- P = 1" Port Angle Dual Check Valve (ASSE 1024)
- Q = Standard Port Angle Lockwing Ball Valve
- Z = Brass Elbow

NOTE: Unless specified all tandem components have meter nuts without support lip.

Outlet Connections

- 2 = "-22" CTS MacPak Integral (3/4", 1", 1 1/4", 1" x 1 1/4" or 1 1/4" x 1")
- 3 = "-33" PEP MacPak Integral (3/4", 1")
- 4 = "-44" PVC MacPak Integral (3/4", 1")
- 5 = "-55" IP MacPak Integral (3/4", 1")

1" Meters

Inlet Connections

- D = Double Purpose Union (Flare or FNPT) (1")
- J = C903 Union (1")
- L = Less Double Purpose Nut, Connection & Gasket
- M = MNPT Union (1" or 1 1/4")
- Q = "Q" CTS McQuik Union (1")
- S = Solder Union (1")
- T = "T" CTS Union (1")
- 2 = "-22" CTS MacPak Union (1")

Outlet Connections

- 2 = "-22" CTS MacPak Integral (1", 1 1/4")
- 3 = "-33" PEP MacPak Integral (1")
- 4 = "-44" PVC MacPak Integral (1")
- 5 = "-55" IP MacPak Integral (1")

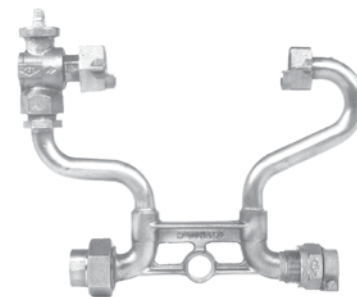
OPTIONS

- Assemblies shipped with two 1/8" EPDM rubber meter gaskets.
- Insert stiffeners are required on all flexible plastic connections.
- **Not all combinations available, contact factory with your requirements.**
- **MOST METER SETTERS ARE MADE TO ORDER AND ARE NOT RETURNABLE.**
- Please verify with the factory that the model number you have configured is available and meets your requirements.

725 Series

FOR 5/8", 5/8" X 3/4", 3/4", OR 1" METERS

Horizontal Style, Dual Purpose Union Inlet x Integral CTS, PEP, or IP Compression -22, -33, -44, -55 Outlet



5/8" Meter Size	Carton PCS/WT	Price	5/8" x 3/4" Meter Size	Carton PCS/WT	Price	3/4" Meter Size	Carton PCS/WT	Price	1" Meter Size	Carton PCS/WT	Price
725-107WXD2 33	6/24	\$ 173.31	725-207WXD2 33	6/33	\$ 176.65	725-307WXD2 33	6/24	\$ 206.27	725-410WXD2 44	3/31	\$ 367.04
725-109WXD2 33	6/30	\$ 175.23	725-209WXD2 33	6/24	\$ 178.43	725-309WXD2 33	6/25	\$ 206.27	725-412WXD2 44	3/40	\$ 374.65
725-112WXD2 33	6/34	\$ 180.46	725-212WXD2 33	6/34	\$ 183.53	725-312WXD2 33	6/26	\$ 211.68	725-415WXD2 44		\$ 382.67
725-115WXD2 33	6/28	\$ 186.95	725-215WXD2 33	6/24	\$ 190.11	725-315WXD2 33	6/28	\$ 219.00	725-418WXD2 44		\$ 430.27
725-118WXD2 33	6/29	\$ 209.02	725-218WXD2 33	6/28	\$ 190.11	725-318WXD2 33	6/29	\$ 251.42	725-421WXD2 44		\$ 447.54
725-121WXD2 33		\$ 215.18	725-221WXD2 33		\$ 218.64	725-321WXD2 33		\$ 262.46	725-424WXD2 44		\$ 452.80
725-124WXD2 33		\$ 221.98	725-224WXD2 33		\$ 225.39	725-324WXD2 33		\$ 270.04			

Inlet Option Adders (Price per end):

5/8", 5/8" x 3/4", or 3/4" Meters

Option	Size	List	Size	List
C - Copper flare union	3/4"	\$ 19.82	1"	\$ 35.65
D - Double Purpose Union (Flare or FNPT)	3/4"	N/C		
F - FNPT union	1/2"	\$ 10.27	1"	\$ 9.24
G - "G" CTS union	3/4"	\$ 14.15		
H - "H" CTS HandyLoc union	3/4"	\$ 17.42		
J - C903 type union	3/4"	\$ 38.56		
L - Less end connection	3/4"	\$ (-14.49)		
M - MNPT union	3/4"	N/C	1"	\$ 9.24
Q - "Q" CTS	3/4"	\$ 14.15		
S - Solder union	3/4"	N/C	1"	\$ 4.79
T - "T" CTS union	3/4"	\$ 14.15	1"	\$ 31.80
2 - "-22" CTS union	3/4"	\$ 14.15	1"	\$ 31.80
3 - "-33" PEP union	3/4"	\$ 40.85		
4 - "-44" PVC union	3/4"	\$ 40.85		
5 - "-55" IP union	3/4"	\$ 40.85		

Outlet Option Adders (Price per end):

5/8", 5/8" x 3/4", or 3/4" Meters

Option	Size	List	Size	List	Size	List
2 - "-22" CTS	3/4"	N/C	1"	\$ 16.22	1 1/4"	\$ 39.39
3 - "-33" PEP	3/4"	N/C	1"	\$ 12.18		
4 - "-44" PVC	3/4"	N/C	1"	\$ 12.18		
5 - "-55" IP	3/4"	N/C	1"	\$ 12.18		

1" Meters

Option	Size	List	Size	List
2 - "-22" CTS	1"	N/C	1 1/4"	\$ 10.81
3 - "-33" PEP	1"	\$ 13.32		
4 - "-44" PVC	1"	\$ 13.32		
5 - "-55" IP	1"	\$ 13.32		

1" Meters

Option	Size	List
D - Double Purpose Union (Flare or FNPT)	1"	N/C
J - C903 type union	1"	\$ 33.59
L - Less end connection	1"	\$ (-23.22)
M - MNPT union	1"	N/C
Q - "Q" CTS union	1"	\$ 25.69
S - Solder union	1"	N/C
T - "T" CTS union	1"	\$ 25.69
2 - "-22" CTS union	1"	\$ 25.69

Single Setter (with Saddle Nut)

Options - add or subtract from base setter model		1 5/8"	2 5/8" x 3/4"	3 3/4"	4 1"
Standard Ball Valve	W	\$ 61.80	\$ 61.80	\$ 61.80	\$ 124.02
Full Port Ball Valve	J	\$ 112.86	\$ 112.86	\$ 112.86	\$ 170.02
Single Check Valve	C	\$ 56.11	\$ 56.11	\$ 56.11	\$ 67.45
Plug Valve	L	\$ 50.86	\$ 50.86	\$ 50.86	\$ 77.98
Dual Check - ASSE	D	\$ 112.97	\$ 112.97	\$ 112.97	\$ 107.14
Dual Check - ASSE - Full Port	M	N/C	N/C	N/C	\$ 196.08
Dual Check - Cascading (* adds x992 to end of model)	D*	\$ 103.09	\$ 103.09	\$ 103.09	\$ 107.15
Meter Swivel Nut	X	N/C	N/C	N/C	N/C
Additional height in 3" increments	X	\$ 6.91	\$ 6.91	\$ 9.53	\$ 11.07

Tandem Setter (less Saddle Nut)

Change model from 72 series to 75 series

Options - add or subtract from base setter model		1 5/8"	2 5/8" x 3/4"	3 3/4"	4 1"
Standard Ball Valve	Q	\$ 61.80	\$ 61.80	\$ 61.80	\$ 124.02
Full Port Ball Valve	K	\$ 112.86	\$ 112.86	\$ 112.86	\$ 170.02
Single Check Valve	A	\$ 56.11	\$ 56.11	\$ 56.11	\$ 67.45
Plug Valve	G	\$ 50.86	\$ 50.86	\$ 50.86	\$ 77.98
Dual Check - ASSE	F	\$ 112.97	\$ 112.97	\$ 112.97	\$ 107.14
Dual Check - ASSE - Full Port	P	N/C	N/C	N/C	\$ 196.08
Dual Check - Cascading (* adds x992 to end of model)	F*	\$ 103.09	\$ 103.09	\$ 103.09	\$ 107.15
Meter Swivel Nut	N	N/C	N/C	N/C	N/C
Height adder		7" - 9"	\$ 121.72	\$ 130.05	\$ 158.11
		12"	\$ 121.72	\$ 130.05	\$ 159.11
		15"	\$ 107.01	\$ 115.29	\$ 144.41
		18" - 21"	\$ 110.47	\$ 118.85	\$ 147.95
		24"	\$ 110.47	\$ 118.85	\$ 147.95

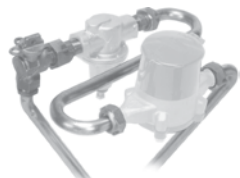
Tandem Setters or resetters include (2) 74619 connections and "S" tube with meter swivel nuts

Contact Factory for the following:

1. Handles for ball valves
2. Test cap on check valves
3. 360° turn valve cap (less check)

NOTES:

- 12" minimum height for 1" setters with dual check.
- Horizontal bracing eye, wire seal hole and locking are standard.
- N/C = No additional charge.



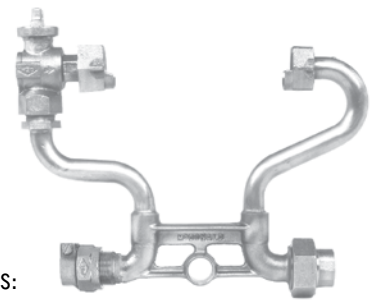
See Page 299 for line drawings of End Connections and Assemblies.

726 Series

FOR 5/8", 5/8" X 3/4", 3/4", OR 1" METERS

Horizontal Style, Integral -22 CTS, -33 PEP-7, -44 PVC, or -55 IP Compression

Inlet x Dual Purpose Union Outlet

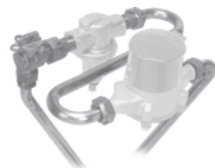


To order 726 Series Model No. **726-207WX2D 33** above means:

726	-	2	07	INLET OUTLET WX	INLET OUTLET 2D		33
Series	Style - = Standard	Meter Size 1 = 5/8" 2 = 5/8" x 3/4" 3 = 3/4" 4 = 1"	Meter Height 07 = 7" 09 = 9" 10 = 10" Standard 1" Meter 12 = 12" 15 = 15" 18 = 18" 21 = 21" 24 = 24" 27 = 27"	Inlet and Outlet Valves C = 3/4" & 1" Port Angle Single Check Valve D = 3/4" Port Angle Dual Check Valve (ASSE 1024) L = Angle Lockwing Plug Valve J = 3/4" & 1" Port Angle Lockwing Ball Valve M = 1" Port Angle Dual Check Valve (ASSE 1024) W = Standard Port Angle Lockwing Ball Valve X = Flanged Tubing with Meter Nut For other special meter connections, contact factory.	Type of connection Inlet and Outlet 5/8", 5/8" x 3/4", 3/4" Meters Inlet Connections 2 = "-22" CTS MacPak Integral (3/4", 1", 1 1/4") 3 = "-33" PEP MacPak Integral (3/4", 1") 4 = "-44" PVC MacPak Integral (3/4", 1") 5 = "-55" IP MacPak Integral (3/4", 1") Outlet Connections C = Copper Flare Union (3/4" or 1") D = Double Purpose Union (Flare or FNPT) (3/4") F = FNPT Union (1/2" or 1") G = "G" CTS McGrip Union (3/4") H = "H" CTS HandyLoc Union (3/4") J = C903 Union (3/4") L = Less Double Purpose Nut, Connection & Gasket (3/4") M = MNPT Union (3/4", 1") Q = "Q" CTS McQuik Union (3/4") S = Solder Union (3/4" or 1") T = "T" CTS Union (3/4" or 1") 2 = "-22" CTS MacPak Union (3/4" or 1") 3 = "-33" PEP MacPak Union (3/4") 4 = "-44" PVC MacPak Union (3/4") 5 = "-55" IP MacPak Union (3/4") 1" Meters Inlet Connections 2 = "-22" CTS MacPak Integral (1", 1 1/4") 3 = "-33" PEP MacPak Integral (1") 4 = "-44" PVC MacPak Integral (1") 5 = "-55" IP MacPak Integral (1") Outlet Connections D = Double Purpose Union (Flare or FNPT) (1") J = C903 Union (1") L = Less Double Purpose Nut, Connection & Gasket (1") M = MNPT Union (1" or 1 1/4") Q = "Q" CTS McQuik Union (1") S = Solder Union (1") T = "T" CTS Union (1") 2 = "-22" CTS MacPak Union (1")	Blank Space	Size Inlet & Outlet 1 = 1/2" 3 = 3/4" 4 = 1" 5 = 1 1/4"
		18" & Taller includes Brace Support Bar	Additional heights available, contact factory				

For Tandem Series

756
Series
Horizontal
Tandem
Setter



Example 756-207QN2D 33
Tandem setters are supplied with adapters and "S" tube. Please specify device length and threads when ordering.
12" minimum height on 1" tandem

A = 3/4" & 1" Port Angle Single Check Valve	L = Less Double Purpose Nut, Connection & Gasket (3/4")
F = 3/4" Port Angle Dual Check Valve (ASSE 1024)	M = MNPT Union (3/4", 1")
G = Angle Lockwing Plug Valve	Q = "Q" CTS McQuik Union (3/4")
K = 3/4" & 1" Port Angle Lockwing Ball Valve	S = Solder Union (3/4" or 1")
N = Flanged Tubing with Meter Nut	T = "T" CTS Union (3/4" or 1")
P = 1" Port Angle Dual Check Valve (ASSE 1024)	2 = "-22" CTS MacPak Union (3/4" or 1")
Q = Standard Port Angle Lockwing Ball Valve	3 = "-33" PEP MacPak Union (3/4")
Z = Brass Elbow	4 = "-44" PVC MacPak Union (3/4")
NOTE: Unless specified all tandem components have meter nuts without support lip.	5 = "-55" IP MacPak Union (3/4")

- Standard device for 5/8", 5/8" x 3/4", 3/4" = 4" - 5" Long FNPT x FNPT
- Standard device for 1" = 5" - 6" Long FNPT x FNPT

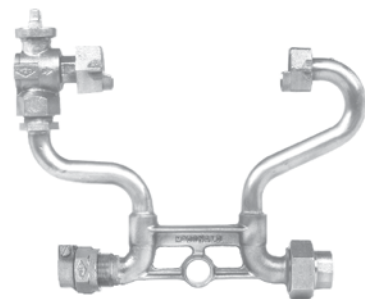
OPTIONS

- Assemblies shipped with two 1/8" EPDM rubber meter gaskets.
- Insert stiffeners are required on all flexible plastic connections.
- **Not all combinations available, contact factory with your requirements.**
- **MOST METER SETTERS ARE MADE TO ORDER AND ARE NOT RETURNABLE.**
- **Please verify with the factory that the model number you have configured is available and meets your requirements.**

726 Series

FOR 5/8", 5/8" X 3/4", 3/4", OR 1" METERS

Horizontal Style, Integral -22 CTS, -33 PEP-7, -44 PVC, or -55 IP Compression Inlet x Dual Purpose Union Outlet



5/8" Meter Size	Carton PCS/WT	Price	5/8" x 3/4" Meter Size	Carton PCS/WT	Price	3/4" Meter Size	Carton PCS/WT	Price	1" Meter Size	Carton PCS/WT	Price
726-107WX2D 33	6/32	\$ 173.31	726-207WX2D 33	6/32	\$ 176.65	726-307WX2D 33	6/24	\$ 206.27	726-410WX2D 44	3/33	\$ 367.04
726-109WX2D 33	6/32	\$ 175.23	726-209WX2D 33	6/33	\$ 178.43	726-309WX2D 33	6/27	\$ 206.27	726-412WX2D 44	3/32	\$ 374.65
726-112WX2D 33	6/31	\$ 183.53	726-212WX2D 33	6/34	\$ 183.53	726-312WX2D 33	6/30	\$ 211.68	726-415WX2D 44	3/32	\$ 382.67
726-115WX2D 33	6/36	\$ 186.95	726-215WX2D 33	6/30	\$ 190.11	726-315WX2D 33	6/28	\$ 219.00	726-418WX2D 44	3/37	\$ 430.27
726-118WX2D 33	6/40	\$ 209.02	726-218WX2D 33	6/40	\$ 212.46	726-318WX2D 33	6/29	\$ 251.42	726-421WX2D 44		\$ 447.54
726-121WX2D 33		\$ 215.18	726-221WX2D 33		\$ 218.64	726-321WX2D 33		\$ 262.46	726-424WX2D 44		\$ 452.80
726-124WX2D 33		\$ 221.98	726-224WX2D 33	6/45	\$ 225.39	726-324WX2D 33		\$ 270.04			

Inlet Option Adders (Price per end):

5/8", 5/8" x 3/4", or 3/4" Meters

Option	Size	List	Size	List	Size	List
2 - "-22" CTS	3/4"	N/C	1"	\$ 16.22	1 1/4"	\$ 39.39
3 - "-33" PEP	3/4"	N/C	1"	\$ 12.18		
4 - "-44" PVC	3/4"	N/C	1"	\$ 12.18		
5 - "-55" IP	3/4"	N/C	1"	\$ 12.18		

1" Meters

Option	Size	List
2 - "-22" CTS	1"	N/C
3 - "-33" PEP	1"	\$ 13.32
4 - "-44" PVC	1"	\$ 13.32
5 - "-55" IP	1"	\$ 13.32

Outlet Option Adders (Price per end):

5/8", 5/8" x 3/4", or 3/4" Meters

Option	Size	List	Size	List
C - Copper flare union	3/4"	\$ 19.82	1"	\$ 35.65
D - Double Purpose (Flare or FNPT)	3/4"	N/C		
F - FNPT union	1/2"	\$ 10.27	1"	\$ 9.24
G - "G" CTS union	3/4"	\$ 14.15		
H - "H" CTS HandyLoc union	3/4"	\$ 17.42		
J - C903 type union	3/4"	\$ 38.56		
L - Less end connection	3/4"	\$ (-14.49)		
M - Male union	3/4"	N/C	1"	\$ 9.24
Q - "Q" CTS	3/4"	\$ 14.15		
S - Solder union	3/4"	N/C	1"	\$ 4.79
T - "T" CTS union	3/4"	\$ 14.15	1"	\$ 31.80
2 - "-22" CTS union	3/4"	\$ 14.15	1"	\$ 31.80
3 - "-33" PEP union	3/4"	\$ 40.85		
4 - "-44" PVC union	3/4"	\$ 40.85		
5 - "-55" IP union	3/4"	\$ 40.85		

Single Setter (with Saddle Nut)

Options - add or subtract from base setter model		1 2 3 4			
		5/8"	5/8" x 3/4"	3/4"	1"
Standard Ball Valve	W	\$ 61.80	\$ 61.80	\$ 61.80	\$ 124.02
Full Port Ball Valve	J	\$ 112.86	\$ 112.86	\$ 112.86	\$ 170.02
Single Check Valve	C	\$ 56.11	\$ 56.11	\$ 56.11	\$ 67.45
Plug Valve	L	\$ 50.86	\$ 50.86	\$ 50.86	\$ 77.98
Dual Check - ASSE	D	\$ 112.97	\$ 112.97	\$ 112.97	\$ 107.14
Dual Check - ASSE - Full Port	M	N/C	N/C	N/C	\$ 196.08
Dual Check - Cascading (* adds x992 to end of model)	D*	\$ 103.09	\$ 103.09	\$ 103.09	\$ 107.15
Meter Swivel Nut	X	N/C	N/C	N/C	N/C
Additional height in 3" increments	X	\$ 6.91	\$ 6.91	\$ 9.53	\$ 11.07

Tandem Setter (less Saddle Nut)

Change model from 72 series to 75 series

Options - add or subtract from base setter model		1 2 3 4			
		5/8"	5/8" x 3/4"	3/4"	1"
Standard Ball Valve	Q	\$ 61.80	\$ 61.80	\$ 61.80	\$ 124.02
Full Port Ball Valve	K	\$ 112.86	\$ 112.86	\$ 112.86	\$ 170.02
Single Check Valve	A	\$ 56.11	\$ 56.11	\$ 56.11	\$ 67.45
Plug Valve	G	\$ 50.86	\$ 50.86	\$ 50.86	\$ 77.98
Dual Check - ASSE	F	\$ 112.97	\$ 112.97	\$ 112.97	\$ 107.14
Dual Check - ASSE - Full Port	P	N/C	N/C	N/C	\$ 196.08
Dual Check - Cascading (* adds x992 to end of model)	F*	\$ 103.09	\$ 103.09	\$ 103.09	\$ 107.15
Meter Swivel Nut	N	N/C	N/C	N/C	N/C
Height adder	7" - 9"	\$ 121.72	\$ 130.05	\$ 158.11	--
	12"	\$ 121.72	\$ 130.05	\$ 159.11	\$ 237.46
	15"	\$ 107.01	\$ 115.29	\$ 144.41	\$ 237.46
	18" - 21"	\$ 110.47	\$ 118.85	\$ 147.95	\$ 237.46
	24"	\$ 110.47	\$ 118.85	\$ 147.95	\$ 249.25

Tandem Setters or resetters include (2) 74619 connections and "S" tube with meter swivel nuts

1" Meters

Option	Size	List
D - Double Purpose (Flare or FNPT)	1"	N/C
J - C903 type union	1"	\$ 33.59
L - Less end connection	1"	\$ (-23.22)
M - Male union	1"	N/C
S - Solder union	1"	N/C
Q - "Q" CTS	1"	\$ 25.69
T - "T" CTS union	1"	\$ 25.69
2 - "-22" CTS union	1"	\$ 25.69

Contact Factory for the following:

- Handles for ball valves
- Test cap on check valves
- 360° turn valve cap (less check)

- NOTES:
- 12" minimum height for 1" setters with dual check.
 - Horizontal bracing eye, wire seal hole and locking are standard.
 - N/C = No additional charge.



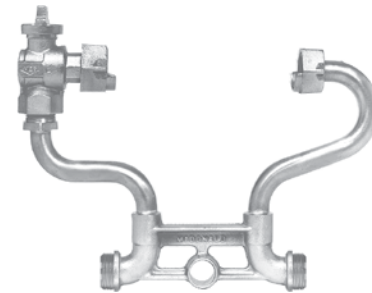
See Page 299 for line drawings of End Connections and Assemblies.

727 Series

FOR 5/8", 5/8" X 3/4", 3/4", OR 1" METERS

Horizontal Style, "K" Thread Inlet x "K" Thread Outlet

"Cut-In" Style Meter Setting: This setting is a quick and easy installation and involves cutting out a section of service line that is approximately 1/2" longer than the brass bottom bar of the setter, cleaning approximately 3" of service line on both sides of the setter, then slipping on the compression assemblies (sold separately) on to the service line. The setter is then inserted into the spacing, the compression assemblies are tightened to the setter, and the compression nuts are tightened per instructions.

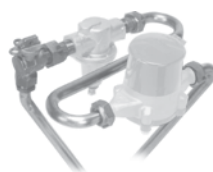


To order 727 Series Model No. **727-207WX** above means:

727	-	2	07	INLET OUTLET WX
Series	Style	Meter Size	Meter Height	Inlet and Outlet Valves
	— = Standard	1 = 5/8"	07 = 7"	C = 3/4" & 1" Port Angle Single Check Valve
		2 = 5/8" x 3/4"	09 = 9"	D = 3/4" Port Angle Dual Check Valve (ASSE 1024)
		3 = 3/4"	10 = 10"	L = Angle Lockwing Plug Valve
		4 = 1"	Standard 1" Meter	J = 3/4" & 1" Port Angle Lockwing Ball Valve
			12 = 12"	M = 1" Port Angle Dual Check Valve (ASSE 1024)
			15 = 15"	W = Standard Port Angle Lockwing Ball Valve
			18 = 18"	X = Flanged Tubing with Meter Nut
			21 = 21"	
			24 = 24"	For other special meter connections, contact factory.
			27 = 27"	
		18" & Taller includes Brace Support Bar	Additional heights available, contact factory	

For Tandem Series

757 Series Horizontal Tandem Setter



Example 757-207QN
Tandem setters are supplied with adapters and "S" tube. Please specify device length and threads when ordering.
12" minimum height on 1" tandem

- A = 3/4" & 1" Port Angle Single Check Valve
- F = 3/4" Port Angle Dual Check Valve (ASSE 1024)
- G = Angle Lockwing Plug Valve
- K = 3/4" & 1" Port Angle Lockwing Ball Valve
- N = Flanged Tubing with Meter Nut
- P = 1" Port Angle Dual Check Valve (ASSE 1024)
- Q = Standard Port Angle Lockwing Ball Valve
- Z = Brass Elbow

NOTE: Unless specified all tandem components have meter nuts without support lip.

- Standard device for 5/8", 5/8" x 3/4", 3/4" = 4"- 5" Long FNPT x FNPT
- Standard device for 1" = 5"- 6" Long FNPT x FNPT

OPTIONS

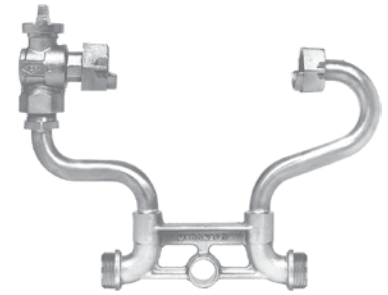
- Assemblies shipped with two 1/8" EPDM rubber meter gaskets.
- Insert stiffeners are required on all flexible plastic connections.
- **Not all combinations available, contact factory with your requirements.**
- **MOST METER SETTERS ARE MADE TO ORDER AND ARE NOT RETURNABLE.**
- **Please verify with the factory that the model number you have configured is available and meets your requirements.**

727 Series

FOR 5/8", 5/8" X 3/4", OR 3/4" METERS

Horizontal Style, "K" Thread Inlet x "K" Thread Outlet

"Cut-In" Style Meter Setting: This setting is a quick and easy installation and involves cutting out a section of service line that is approximately 1/2" longer than the brass bottom bar of the setter, cleaning approximately 3" of service line on both sides of the setter, then slipping on the compression assemblies (sold separately) on to the service line. The setter is then inserted into the spacing, the compression assemblies are tightened to the setter, and the compression nuts are tightened per instructions.



5/8" Meter Size	Carton PCS/WT	Price	5/8" x 3/4" Meter Size	Carton PCS/WT	Price	3/4" Meter Size	Carton PCS/WT	Price
727-107WX	6/39	\$ 148.35	727-207WX	6/27	\$151.64	727-307WX		\$180.89
727-109WX		\$ 150.19	727-209WX	6/24	\$153.52	727-309WX		\$180.89
727-112WX	6/29	\$ 155.47	727-212WX	6/42	\$158.57	727-312WX		\$186.29
727-115WX		\$ 162.00	727-215WX		\$165.14	727-315WX		\$193.54
727-118WX	6/35	\$ 184.02	727-218WX	6/36	\$187.49	727-318WX		\$226.02
727-121WX		\$ 190.21	727-221WX		\$174.55	727-321WX		\$236.69
727-124WX	6/38	\$ 196.96	727-224WX	6/47	\$200.45	727-324WX		\$244.57



747541T

747541-22, 747541-33
747541-44



747541-55



Fittings for Model 741-1, 741-2, or 741-3

MODEL	SIZE	DESCRIPTION	LIST PRICE
747541P	3/4"	MNPT x "K" Thread	\$ 12.84
747541S	1/2" x 3/4"	Solder x "K" Thread	\$ 14.64
747541S	3/4"	Solder x "K" Thread	\$ 15.06
747541-22	3/4"	-22 CTS x "K" Thread	\$ 19.59
747541-22	1/2" x 3/4"	-22 CTS x "K" Thread	\$ 21.59
747541-22	1" x 3/4"	-22 CTS x "K" Thread	\$ 24.63
747541-22	1 1/4" x 3/4"	-22 CTS x "K" Thread	\$ 49.03
747541-22	1 3/16" x 3/4"	-22 CTS x "K" Thread	\$ 21.59
747541Q	3/4"	Q CTS x "K" Thread	\$ 19.59
747541T	3/4"	T x "K" Thread	\$ 19.59
747541T	1" x 3/4"	T CTS x "K" Thread	\$ 24.63

Fittings for Model 741-1, 741-2, or 741-3

MODEL	SIZE	DESCRIPTION	LIST PRICE
747541T	1 1/4" x 3/4"	T CTS x "K" Thread	\$ 49.03
747541-33	3/4"	-33 PEP-7 x "K" Thread	\$ 26.07
747541-33	1" x 3/4"	-33 PEP-7 x "K" Thread	\$ 46.71
747541-3Q	1" x 3/4"	-3Q PEP x "K" Thread	\$ 46.71
747541-44	1/2" x 3/4"	-44 PVC x "K" Thread	\$ 20.96
747541-44	3/4"	-44 PVC x "K" Thread	\$ 25.10
747541-44	1" x 3/4"	-44 PVC x "K" Thread	\$ 46.78
747541-55	3/4"	-55 IP x "K" Thread	\$ 19.59
747541-55	1" x 3/4"	-55 IP x "K" Thread	\$ 34.12
47541GSKT	-	Copper spacing gasket	\$ 1.19

Single Setter (with Saddle Nut)

Options - add or subtract from base setter model	1 2 3 4				
	5/8"	5/8" x 3/4"	3/4"	1"	
Standard Ball Valve	W	\$ 61.80	\$ 61.80	\$ 61.80	\$ 124.02
Full Port Ball Valve	J	\$ 112.86	\$ 112.86	\$ 112.86	\$ 170.02
Single Check Valve	C	\$ 56.11	\$ 56.11	\$ 56.11	\$ 67.45
Plug Valve	L	\$ 50.86	\$ 50.86	\$ 50.86	\$ 77.98
Dual Check - ASSE	D	\$ 112.97	\$ 112.97	\$ 112.97	\$ 107.14
Dual Check - ASSE - Full Port	M	N/C	N/C	N/C	\$ 196.08
Dual Check - Cascading (* adds x992 to end of model)	D*	\$ 103.09	\$ 103.09	\$ 103.09	\$ 107.15
Meter Swivel Nut	X	N/C	N/C	N/C	N/C
Additional height in 3" increments	X	\$ 6.91	\$ 6.91	\$ 9.53	\$ 11.07

Contact Factory for the following:

1. Handles for ball valves
2. Test cap on check valves
3. 360° turn valve cap (less check)

NOTES:

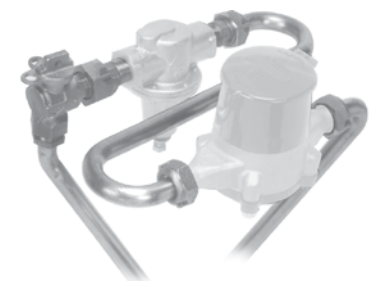
- 12" minimum height for 1" setters with dual check.
- Horizontal bracing eye, wire seal hole and lockwing are standard.
- **N/C** = No additional charge.

Tandem Setter (less Saddle Nut)

Change model from 72 series to 75 series

Options - add or subtract from base setter model	1 2 3 4				
	5/8"	5/8" x 3/4"	3/4"	1"	
Standard Ball Valve	Q	\$ 61.80	\$ 61.80	\$ 61.80	\$ 124.02
Full Port Ball Valve	K	\$ 112.86	\$ 112.86	\$ 112.86	\$ 170.02
Single Check Valve	A	\$ 56.11	\$ 56.11	\$ 56.11	\$ 67.45
Plug Valve	G	\$ 50.86	\$ 50.86	\$ 50.86	\$ 77.98
Dual Check - ASSE	F	\$ 112.97	\$ 112.97	\$ 112.97	\$ 107.14
Dual Check - ASSE - Full Port	P	N/C	N/C	N/C	\$ 196.08
Dual Check - Cascading (* adds x992 to end of model)	F*	\$ 103.09	\$ 103.09	\$ 103.09	\$ 107.15
Meter Swivel Nut	N	N/C	N/C	N/C	N/C
Height adder	7" - 9"	\$ 121.72	\$ 130.05	\$ 158.11	--
	12"	\$ 121.72	\$ 130.05	\$ 159.11	\$ 237.46
	15"	\$ 107.01	\$ 115.29	\$ 144.41	\$ 237.46
	18" - 21"	\$ 110.47	\$ 118.85	\$ 147.95	\$ 237.46
	24"	\$ 110.47	\$ 118.85	\$ 147.95	\$ 249.25

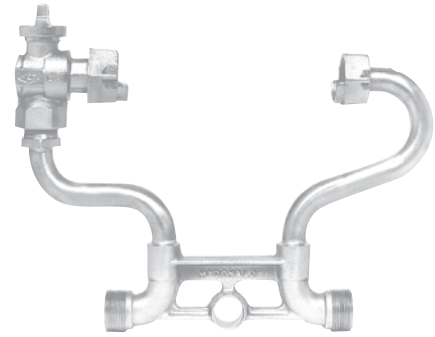
Tandem Setters or resetters include (2) 74619 connections and "S" tube with meter swivel nuts



728 Series

FOR 5/8", 5/8" X 3/4", 3/4", OR 1" METERS

Horizontal Style, Integral MNPT Inlet x Integral MNPT Outlet

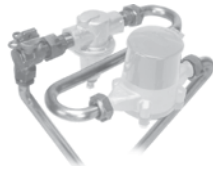


To order 728 Series Model No. **728-207WXPP 33** above means:

Series	Style -- = Standard	Meter Size 1 = 5/8" 2 = 5/8" x 3/4" 3 = 3/4" 4 = 1"	Meter Height 07 = 7" 09 = 9" 10 = 10" Standard 1" Meter 12 = 12" 15 = 15" 18 = 18" 21 = 21" 24 = 24" 27 = 27" Additional heights available, contact factory	Inlet and Outlet Valves C = 3/4" & 1" Port Angle Single Check Valve D = 3/4" Port Angle Dual Check Valve (ASSE 1024) L = Angle Lockwing Plug Valve J = 3/4" & 1" Port Angle Lockwing Ball Valve M = 1" Port Angle Dual Check Valve (ASSE 1024) W = Standard Port Angle Lockwing Ball Valve X = Flanged Tubing with Meter Nut For other special meter connections, contact factory.	Type of connection Inlet and Outlet 5/8", 5/8" x 3/4", 3/4" Meters I = FNPT Integral (3/4") P = MNPT Integral (3/4", 1") 1" Meters I = FNPT Integral (1") P = MNPT Integral (1", 1 1/4" or 1 1/2")	Blank Space	Size Inlet & Outlet 3 = 3/4" 4 = 1" 5 = 1 1/4" 6 = 1 1/2"
728	-	2	07	WX	PP		33

18" & Taller includes
Brace Support Bar

For Tandem Series



758
Series
Horizontal
Tandem
Setter

Example 758-207QNPP 33
Tandem setters are supplied with adapters and "S" tube. Please specify device length and threads when ordering.
12" minimum height on 1" tandem

- A = 3/4" & 1" Port Angle Single Check Valve
- F = 3/4" Port Angle Dual Check Valve (ASSE 1024)
- G = Angle Lockwing Plug Valve
- K = 3/4" & 1" Port Angle Lockwing Ball Valve
- N = Flanged Tubing with Meter Nut
- P = 1" Port Angle Dual Check Valve (ASSE 1024)
- Q = Standard Port Angle Lockwing Ball Valve
- Z = Brass Elbow

NOTE: Unless specified all tandem components have meter nuts without support lip.

- Standard device for 5/8", 5/8" x 3/4", 3/4" = 4" - 5" Long FNPT x FNPT
- Standard device for 1" = 5" - 6" Long FNPT x FNPT

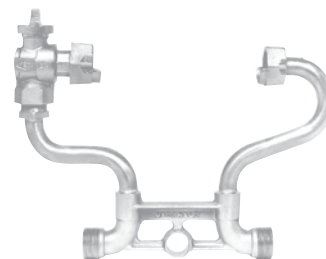
OPTIONS

- Assemblies shipped with two 1/8" EPDM rubber meter gaskets.
- Insert stiffeners are required on all flexible plastic connections.
- **Not all combinations available, contact factory with your requirements.**
- **MOST METER SETTERS ARE MADE TO ORDER AND ARE NOT RETURNABLE.**
- **Please verify with the factory that the model number you have configured is available and meets your requirements.**

728 Series

FOR 5/8", 5/8" X 3/4", 3/4", OR 1" METERS

Horizontal Style, Integral MNPT Inlet x Integral MNPT Outlet



5/8" Meter Size	Carton PCS/WT	Price	5/8" x 3/4" Meter Size	Carton PCS/WT	Price	3/4" Meter Size	Carton PCS/WT	Price	1" Meter Size	Carton PCS/WT	Price
728-107WXPP 33	6/25	\$ 153.25	728-207WXPP 33	6/26	\$ 156.55	728-307WXPP 33	6/26	\$ 186.17	728-410WXPP 44	3/29	\$ 320.56
728-109WXPP 33	6/28	\$ 155.16	728-209WXPP 33	6/24	\$ 158.39	728-309WXPP 33	6/27	\$ 186.17	728-412WXPP 44	3/27	\$ 327.16
728-112WXPP 33	6/39	\$ 160.40	728-212WXPP 33	6/29	\$ 163.48	728-312WXPP 33	6/30	\$ 191.64	728-415WXPP 44	3/23	\$ 335.19
728-115WXPP 33	6/25	\$ 166.88	728-215WXPP 33	6/38	\$ 168.76	728-315WXPP 33	6/27	\$ 198.93	728-418WXPP 44	3/32	\$ 382.73
728-118WXPP 33	6/35	\$ 188.92	728-218WXPP 33	6/30	\$ 192.43	728-318WXPP 33	6/35	\$ 231.36	728-421WXPP 44	3/36	\$ 400.01
728-121WXPP 33		\$ 195.14	728-221WXPP 33	6/39	\$ 198.55	728-321WXPP 33		\$ 242.13	728-424WXPP 44	3/37	\$ 405.25
728-124WXPP 33		\$ 201.86	728-224WXPP 33	6/33	\$ 205.30	728-324WXPP 33	6/40	\$ 249.64			

Inlet Option Adders (Price per end):

5/8", 5/8" x 3/4", or 3/4" Meters

Option	Size	List	Size	List
P - MNPT (Integral)	3/4"	N/C	1"	N/C
I - FNPT Integral	3/4"	\$ 4.36		

1" Meters

Option	Size	List	Size	List	Size	List
P - MNPT (Integral)	1"	N/C	1 1/4"	\$ 6.13	1 1/2"	\$ 12.24
I - FNPT Integral		N/C				

Single Setter (with Saddle Nut)

Options - add or subtract from base setter model		1	2	3	4
		5/8"	5/8" x 3/4"	3/4"	1"
Standard Ball Valve	W	\$ 61.80	\$ 61.80	\$ 61.80	\$ 124.02
Full Port Ball Valve	J	\$ 112.86	\$ 112.86	\$ 112.86	\$ 170.02
Single Check Valve	C	\$ 56.11	\$ 56.11	\$ 56.11	\$ 67.45
Plug Valve	L	\$ 50.86	\$ 50.86	\$ 50.86	\$ 77.98
Dual Check - ASSE	D	\$ 112.97	\$ 112.97	\$ 112.97	\$ 107.14
Dual Check - ASSE - Full Port	M	N/C	N/C	N/C	\$ 196.08
Dual Check - Cascading (* adds x992 to end of model)	D*	\$ 103.09	\$ 103.09	\$ 103.09	\$ 107.15
Meter Swivel Nut	X	N/C	N/C	N/C	N/C
Additional height in 3" increments	X	\$ 6.91	\$ 6.91	\$ 9.53	\$ 11.07

Tandem Setter (less Saddle Nut)

Change model from 72 series to 75 series

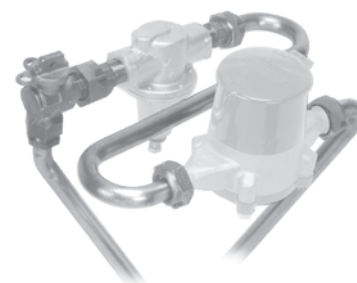
Options - add or subtract from base setter model		1	2	3	4
		5/8"	5/8" x 3/4"	3/4"	1"
Standard Ball Valve	Q	\$ 61.80	\$ 61.80	\$ 61.80	\$ 124.02
Full Port Ball Valve	K	\$ 112.86	\$ 112.86	\$ 112.86	\$ 170.02
Single Check Valve	A	\$ 56.11	\$ 56.11	\$ 56.11	\$ 67.45
Plug Valve	G	\$ 50.86	\$ 50.86	\$ 50.86	\$ 77.98
Dual Check - ASSE	F	\$ 112.97	\$ 112.97	\$ 112.97	\$ 107.14
Dual Check - ASSE - Full Port	P	N/C	N/C	N/C	\$ 196.08
Dual Check - Cascading (* adds x992 to end of model)	F*	\$ 103.09	\$ 103.09	\$ 103.09	\$ 107.15
Meter Swivel Nut	N	N/C	N/C	N/C	N/C
Height adder	7" - 9"	\$ 121.72	\$ 130.05	\$ 158.11	--
	12"	\$ 121.72	\$ 130.05	\$ 159.11	\$ 237.46
	15"	\$ 107.01	\$ 115.29	\$ 144.41	\$ 237.46
	18" - 21"	\$ 110.47	\$ 118.85	\$ 147.95	\$ 237.46
	24"	\$ 110.47	\$ 118.85	\$ 147.95	\$ 249.25

Tandem Setters or resetters include (2) 74619 connections and "S" tube with meter swivel nuts

Contact Factory for the following:

- Handles for ball valves
- Test cap on check valves
- 360° turn valve cap (less check)

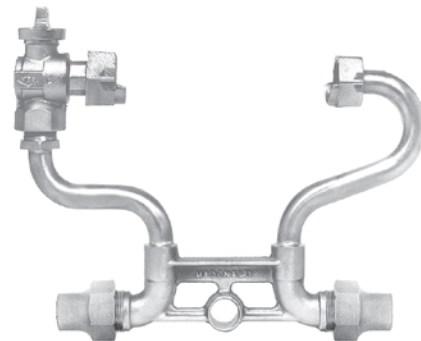
- NOTES:
- 12" minimum height for 1" setters with dual check.
 - Horizontal bracing eye, wire seal hole and lockwing are standard.
 - N/C = No additional charge.



729 Series

FOR 5/8", 5/8" X 3/4", 3/4", OR 1" METERS

Horizontal Style, Integral Flare Inlet x Integral Flare Outlet



To order 729 Series Model No. **729-207WXCC 33** above means:

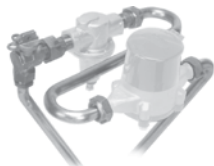
729	-	2	07	INLET OUTLET WX	INLET OUTLET CC		33
Series	Style - = Standard	Meter Size 	Meter Height 	Inlet and Outlet Valves 	Type of connection Inlet and Outlet 	Blank Space	Size Inlet & Outlet
		1 = 5/8" 2 = 5/8" x 3/4" 3 = 3/4" 4 = 1"	07 = 7" 09 = 9" 10 = 10" Standard 1" Meter 12 = 12" 15 = 15" 18 = 18" 21 = 21" 24 = 24" 27 = 27" Additional heights available, contact factory	C = 3/4" & 1" Port Angle Single Check Valve D = 3/4" Port Angle Dual Check Valve (ASSE 1024) L = Angle Lockwing Plug Valve J = 3/4" & 1" Port Angle Lockwing Ball Valve M = 1" Port Angle Dual Check Valve (ASSE 1024) W = Standard Port Angle Lockwing Ball Valve X = Flanged Tubing with Meter Nut	5/8", 5/8" x 3/4", 3/4" Meters C = Copper Flare Integral (3/4") 1" Meters C = Copper Flare Integral (1")		3 = 3/4" 4 = 1"

18" & Taller includes
Brace Support Bar

For other special meter connections,
contact factory.

For Tandem Series

759
Series
Horizontal
Tandem
Setter



Example 759-207QNCC 33
Tandem setters are supplied with adapters and "S" tube. Please specify device length and threads when ordering.
12" minimum height on 1" tandem

- A = 3/4" & 1" Port Angle Single Check Valve
- F = 3/4" Port Angle Dual Check Valve (ASSE 1024)
- G = Angle Lockwing Plug Valve
- K = 3/4" & 1" Port Angle Lockwing Ball Valve
- N = Flanged Tubing with Meter Nut
- P = 1" Port Angle Dual Check Valve (ASSE 1024)
- Q = Standard Port Angle Lockwing Ball Valve
- Z = Brass Elbow

NOTE: Unless specified all tandem components have meter nuts without support lip.

- Standard device for 5/8", 5/8" x 3/4", 3/4" = 4" - 5" Long FNPT x FNPT
- Standard device for 1" = 5" - 6" Long FNPT x FNPT

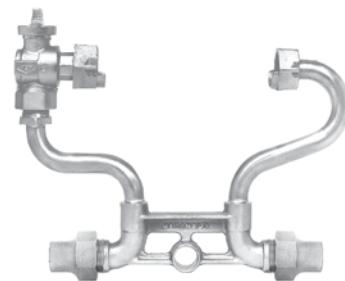
OPTIONS

- Assemblies shipped with two 1/8" EPDM rubber meter gaskets.
- Insert stiffeners are required on all flexible plastic connections.
- **Not all combinations available, contact factory with your requirements.**
- **MOST METER SETTERS ARE MADE TO ORDER AND ARE NOT RETURNABLE.**
- **Please verify with the factory that the model number you have configured is available and meets your requirements.**

729 Series

FOR 5/8", 5/8" X 3/4", 3/4", OR 1" METERS

Horizontal Style, Integral Flare Inlet x Integral Flare Outlet



5/8" Meter Size	Carton PCS/WT	Price	5/8" x 3/4" Meter Size	Carton PCS/WT	Price	3/4" Meter Size	Carton PCS/WT	Price	1" Meter Size	Carton PCS/WT	Price
729-107WXCC 33	6/30	\$ 176.13	729-207WXCC 33	6/36	\$ 179.58	729-307WXCC 33		\$ 209.21	729-410WXCC 44		\$ 352.69
729-109WXCC 33	6/30	\$ 178.19	729-209WXCC 33	6/31	\$ 181.41	729-309WXCC 33		\$ 209.21	729-412WXCC 44		\$ 359.30
729-112WXCC 33	6/32	\$ 183.44	729-212WXCC 33	6/33	\$ 186.51	729-312WXCC 33		\$ 214.64	729-415WXCC 44		\$ 367.32
729-115WXCC 33		\$ 189.93	729-215WXCC 33	6/30	\$ 193.05	729-315WXCC 33		\$ 221.98	729-418WXCC 44		\$ 414.89
729-118WXCC 33	6/33	\$ 211.96	729-218WXCC 33	6/52	\$ 215.45	729-318WXCC 33		\$ 254.41	729-421WXCC 44		\$ 432.17
729-121WXCC 33		\$ 218.14	729-221WXCC 33		\$ 221.59	729-321WXCC 33		\$ 265.15	729-424WXCC 44		\$ 437.41
729-124WXCC 33		\$ 224.92	729-224WXCC 33	6/38	\$ 228.36	729-324WXCC 33	6/45	\$ 272.98			

Single Setter (with Saddle Nut)

		1	2	3	4
Options - add or subtract from base setter model		5/8"	5/8" x 3/4"	3/4"	1"
Standard Ball Valve	W	\$ 61.80	\$ 61.80	\$ 61.80	\$ 124.02
Full Port Ball Valve	J	\$ 112.86	\$ 112.86	\$ 112.86	\$ 170.02
Single Check Valve	C	\$ 56.11	\$ 56.11	\$ 56.11	\$ 67.45
Plug Valve	L	\$ 50.86	\$ 50.86	\$ 50.86	\$ 77.98
Dual Check - ASSE	D	\$ 112.97	\$ 112.97	\$ 112.97	\$ 107.14
Dual Check - ASSE - Full Port	M	N/C	N/C	N/C	\$ 196.08
Dual Check - Cascading (* adds x992 to end of model)	D*	\$ 103.09	\$ 103.09	\$ 103.09	\$ 107.15
Meter Swivel Nut	X	N/C	N/C	N/C	N/C
Additional height in 3" increments	X	\$ 6.91	\$ 6.91	\$ 9.53	\$ 11.07

Tandem Setter (less Saddle Nut)

Change model from 72 series to 75 series

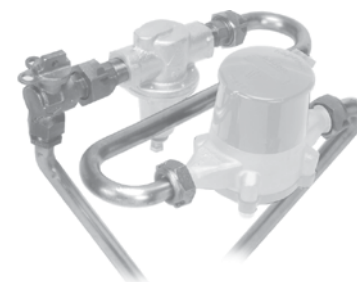
		1	2	3	4
Options - add or subtract from base setter model		5/8"	5/8" x 3/4"	3/4"	1"
Standard Ball Valve	Q	\$ 61.80	\$ 61.80	\$ 61.80	\$ 124.02
Full Port Ball Valve	K	\$ 112.86	\$ 112.86	\$ 112.86	\$ 170.02
Single Check Valve	A	\$ 56.11	\$ 56.11	\$ 56.11	\$ 67.45
Plug Valve	G	\$ 50.86	\$ 50.86	\$ 50.86	\$ 77.98
Dual Check - ASSE	F	\$ 112.97	\$ 112.97	\$ 112.97	\$ 107.14
Dual Check - ASSE - Full Port	P	N/C	N/C	N/C	\$ 196.08
Dual Check - Cascading (* adds x992 to end of model)	F*	\$ 103.09	\$ 103.09	\$ 103.09	\$ 107.15
Meter Swivel Nut	N	N/C	N/C	N/C	N/C
Height adder	7" - 9"	\$ 121.72	\$ 130.05	\$ 158.11	--
	12"	\$ 121.72	\$ 130.05	\$ 159.11	\$ 237.46
	15"	\$ 107.01	\$ 115.29	\$ 144.41	\$ 237.46
	18" - 21"	\$ 110.47	\$ 118.85	\$ 147.95	\$ 237.46
	24"	\$ 110.47	\$ 118.85	\$ 147.95	\$ 249.25

Tandem Setters or resetters include (2) 74619 connections and "S" tube with meter swivel nuts

Contact Factory for the following:

1. Handles for ball valves
2. Test cap on check valves
3. 360° turn valve cap (less check)

- NOTES:**
- 12" minimum height for 1" setters with dual check.
 - Horizontal bracing eye, wire seal hole and lockwing are standard.
 - N/C = No additional charge.

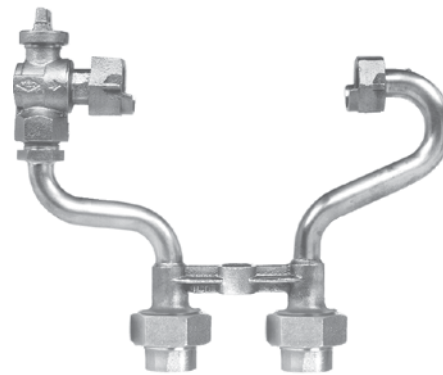


730 Series

FOR 5/8", 5/8" X 3/4", 3/4", OR 1" METERS

Vertical Style, Double Purpose Union Inlet x Double Purpose Union Outlet

Setters normally supplied with Union Nut Connection Inlet/Outlet

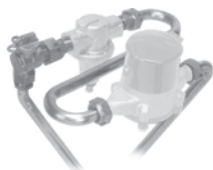


To order 730 Series Model No. **730-2--WXDD 33** above means:

Series	Style	Meter Size	Meter Height	Inlet and Outlet Valves	Type of connection Inlet and Outlet	Blank Space	Size Inlet & Outlet
730	- -- = Standard	2 1 = 5/8" 2 = 5/8" x 3/4" 3 = 3/4" 4 = 1"	07 07 = 7" 09 = 9" 10 = 10" Standard 1" Meter 12 = 12" 15 = 15" 18 = 18" 21 = 21" 24 = 24" 27 = 27" Additional heights available, contact factory	WX C = 3/4" & 1" Port Angle Single Check Valve D = 3/4" Port Angle Dual Check Valve (ASSE 1024) L = Angle Lockwing Plug Valve J = 3/4" & 1" Port Angle Lockwing Ball Valve M = 1" Port Angle Dual Check Valve (ASSE 1024) W = Standard Port Angle Lockwing Ball Valve X = Flanged Tubing with Meter Nut For other special meter connections, contact factory.	DD 5/8", 5/8" x 3/4", 3/4" Meters C = Copper Flare Union (3/4" or 1") D = Double Purpose Union (Flare or FNPT) (3/4") F = FNPT Union (1/2" or 1") G = "G" CTS McGrip Union (3/4") H = "H" CTS HandyLoc Union (3/4") J = C903 Union (3/4") L = Less Double Purpose Nut, Connection & Gasket (3/4") M = MNPT Union (3/4", 1") Q = "Q" CTS McQuik Union (3/4") S = Solder Union (3/4" or 1") T = "T" CTS Union (3/4" or 1") 1" Meters D = Double Purpose Union (Flare or FNPT) (1") J = C903 Compression Union (1") L = Less Double Purpose Nut, Connection & Gasket (1") M = MNPT Union (1" or 1 1/4") Q = "Q" CTS McQuik Union (1") S = Solder Union (1") T = "T" CTS Union (1") 2 = "-22" CTS MacPak Union (1")		33 1 = 1/2" 3 = 3/4" 4 = 1"

18" & Taller includes Brace Support Bar

For Tandem Series



750R Series Horizontal Tandem Setter

Example 750R2--QNDD 33
Tandem setters are supplied with adapters and "S" tube. Please specify device length and threads when ordering.
12" minimum height on 1" tandem

- A** = 3/4" & 1" Port Angle Single Check Valve
 - F** = 3/4" Port Angle Dual Check Valve (ASSE 1024)
 - G** = Angle Lockwing Plug Valve
 - K** = 3/4" & 1" Port Angle Lockwing Ball Valve
 - N** = Flanged Tubing with Meter Nut
 - P** = 1" Port Angle Dual Check Valve (ASSE 1024)
 - Q** = Standard Port Angle Lockwing Ball Valve
 - Z** = Brass Elbow
- NOTE:** Unless specified all tandem components have meter nuts without support lip.

OPTIONS

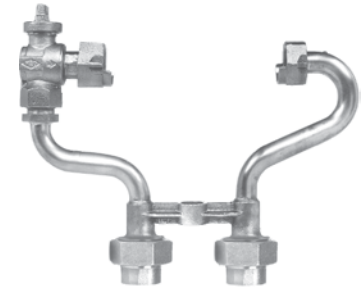
- Assemblies shipped with two 1/8" EPDM rubber meter gaskets.
- Insert stiffeners are required on all flexible plastic connections.
- **Not all combinations available, contact factory with your requirements.**
- **MOST METER SETTERS ARE MADE TO ORDER AND ARE NOT RETURNABLE.**
- Please verify with the factory that the model number you have configured is available and meets your requirements.

730 Series

FOR 5/8", 5/8" X 3/4", 3/4", OR 1" METERS

Vertical Style, Double Purpose Union Inlet x Double Purpose Union Outlet

Setters normally supplied with Union Nut Connection Inlet/Outlet



5/8" Meter Size	Carton PCS/WT	Price	5/8" x 3/4" Meter Size	Carton PCS/WT	Price	3/4" Meter Size	Carton PCS/WT	Price	1" Meter Size	Carton PCS/WT	Price
730-1--WXDD 33	6/29	\$ 166.18	730-2--WXDD 33	6/27	\$ 166.18	730-3--WXDD 33	6/31	\$ 191.52	730-4--WXDD 44	3/28	\$ 325.39

Inlet / Outlet Option Adders (Price per end):

5/8", 5/8" x 3/4", or 3/4" Meters

Option	Size	List	Size	List
C - Copper flare union	3/4"	\$ 19.82	1"	\$ 35.65
D - Double Purpose union (Flare or FNPT)	3/4"	N/C		
F - FNPT union	1/2"	\$ 10.27	1"	\$ 9.24
G - "G" CTS union	3/4"	\$ 14.15		
H - "H" CTS HandyLoc union	3/4"	\$ 17.42		
J - C903 type union	3/4"	\$ 38.56		
L - Less end connection	3/4"	\$ (-14.49)		
M - MNPT union	3/4"	N/C	1"	\$ 9.24
Q - "Q" CTS Union	3/4"	\$ 14.15		
S - Solder union	3/4"	N/C	1"	\$ 4.79
T - "T" CTS union	3/4"	\$ 14.15	1"	\$ 31.80
2 - "-22" CTS union	3/4"	\$ 14.15	1"	\$ 31.80
3 - "-33" PEP union	3/4"	\$ 40.85		
4 - "-44" PVC union	3/4"	\$ 40.85		
5 - "-55" IP union	3/4"	\$ 40.85		

1" Meters

Option	Size	List
D - Double Purpose union (Flare or FNPT)	1"	N/C
J - C903 type union	1"	\$ 33.59
L - Less end connection	1"	\$ (-23.22)
M - MNPT union	1"	N/C
Q - "Q" CTS Union	1"	\$ 25.69
S - Solder union	1"	N/C
T - "T" CTS union	1"	\$ 25.697
2 - "-22" CTS union	1"	\$ 25.69

Single Setter (with Saddle Nut)

Options - add or subtract from base setter model		1 5/8"	2 5/8" x 3/4"	3 3/4"	4 1"
Standard Ball Valve	W	\$ 61.80	\$ 61.80	\$ 61.80	\$ 124.02
Full Port Ball Valve	J	\$ 112.86	\$ 112.86	\$ 112.86	\$ 170.02
Single Check Valve	C	\$ 56.11	\$ 56.11	\$ 56.11	\$ 67.45
Plug Valve	L	\$ 50.86	\$ 50.86	\$ 50.86	\$ 77.98
Dual Check - ASSE	D	\$ 112.97	\$ 112.97	\$ 112.97	\$ 107.14
Dual Check - ASSE - Full Port	M	N/C	N/C	N/C	\$ 196.08
Dual Check - Cascading (* adds x992 to end of model)	D*	\$ 103.09	\$ 103.09	\$ 103.09	\$ 107.15
Meter Swivel Nut	X	N/C	N/C	N/C	N/C
Additional height in 3" increments	X	\$ 6.91	\$ 6.91	\$ 9.53	\$ 11.07

Tandem Setter (less Saddle Nut)

Change model from 730 series to 750R series

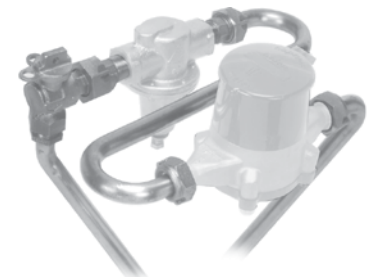
Options - add or subtract from base setter model		1 5/8"	2 5/8" x 3/4"	3 3/4"	4 1"
Standard Ball Valve	Q	\$ 61.80	\$ 61.80	\$ 61.80	\$ 124.02
Full Port Ball Valve	K	\$ 112.86	\$ 112.86	\$ 112.86	\$ 170.02
Single Check Valve	A	\$ 56.11	\$ 56.11	\$ 56.11	\$ 67.45
Plug Valve	G	\$ 50.86	\$ 50.86	\$ 50.86	\$ 77.98
Dual Check - ASSE	F	\$ 112.97	\$ 112.97	\$ 112.97	\$ 107.14
Dual Check - ASSE - Full Port	P	N/C	N/C	N/C	\$ 196.08
Dual Check - Cascading (* adds x992 to end of model)	F*	\$ 103.09	\$ 103.09	\$ 103.09	\$ 107.15
Meter Swivel Nut	N	N/C	N/C	N/C	N/C
Height adder	7" - 9"	\$ 121.72	\$ 130.05	\$ 158.11	--
	12"	\$ 121.72	\$ 130.05	\$ 159.11	\$ 237.46
	15"	\$ 107.01	\$ 115.29	\$ 144.41	\$ 237.46
	18" - 21"	\$ 110.47	\$ 118.85	\$ 147.95	\$ 237.46
	24"	\$ 110.47	\$ 118.85	\$ 147.95	\$ 249.25

Tandem Setters or resetters include (2) 74619 connections and "S" tube with meter swivel nuts

Contact Factory for the following:

1. Handles for ball valves
2. Test cap on check valves
3. 360° turn valve cap (less check)

NOTES: - 12" minimum height for 1" setters with dual check.
 - Horizontal bracing eye, wire seal hole and lockwing are standard.
 - N/C = No additional charge.

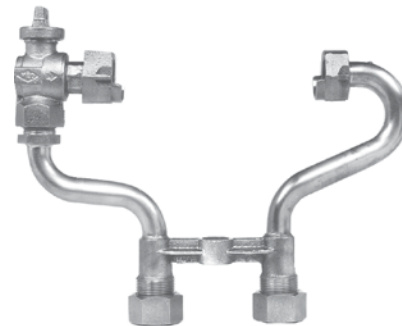


See Page 299 for line drawings of End Connections and Assemblies.

731 Series

FOR 5/8", 5/8" X 3/4", 3/4", OR 1" METERS

Vertical Style, Integral CTS, PEP or C903 Compression Inlet & Outlet



To order 731 Series Model No. **731-2--WXTT 33** above means:

731	-	2	07	INLET OUTLET WX	INLET OUTLET TT		33
Series	Style - = Standard	Meter Size 1 = 5/8" 2 = 5/8" x 3/4" 3 = 3/4" 4 = 1"	Meter Height 07 = 7" 09 = 9" 10 = 10" Standard 1" Meter 12 = 12" 15 = 15" 18 = 18" 21 = 21" 24 = 24" 27 = 27"	Inlet and Outlet Valves C = 3/4" & 1" Port Angle Single Check Valve D = 3/4" Port Angle Dual Check Valve (ASSE 1024) L = Angle Lockwing Plug Valve J = 3/4" & 1" Port Angle Lockwing Ball Valve M = 1" Port Angle Dual Check Valve (ASSE 1024) W = Standard Port Angle Lockwing Ball Valve X = Flanged Tubing with Meter Nut	Type of connection Inlet and Outlet	Blank Space	Size Inlet & Outlet 3 = 3/4" 4 = 1"
			18" & Taller includes Brace Support Bar	Additional heights available, contact factory			5/8", 5/8" x 3/4", 3/4" Meters B = "-3G" PEP McGrip Integral (3/4") G = "G" CTS McGrip Integral (3/4", 1") H = "H" CTS PE Handyloc Integral (3/4", 1") J = C903 Integral (3/4", 1") Q = "Q" CTS McQuik Integral (3/4", 1") T = "T" CTS Integral (3/4", 1") Y = "-3H" PEP Handyloc Integral (3/4") Z = "-3Q" PEP McQuik Integral (3/4")

For Tandem Series

751R Series Horizontal Tandem Setter



Example 751R207QNTT 33
Tandem setters are supplied with adapters and "S" tube. Please specify device length and threads when ordering.
12" minimum height on 1" tandem

- A = 3/4" & 1" Port Angle Single Check Valve
- F = 3/4" Port Angle Dual Check Valve (ASSE 1024)
- G = Angle Lockwing Plug Valve
- K = 3/4" & 1" Port Angle Lockwing Ball Valve
- N = Flanged Tubing with Meter Nut
- P = 1" Port Angle Dual Check Valve (ASSE 1024)
- Q = Standard Port Angle Lockwing Ball Valve
- Z = Brass Elbow

NOTE: Unless specified all tandem components have meter nuts without support lip.

- Standard device for 5/8", 5/8" x 3/4", 3/4" = 4"- 5" Long FNPT x FNPT
- Standard device for 1" = 5"- 6" Long FNPT x FNPT

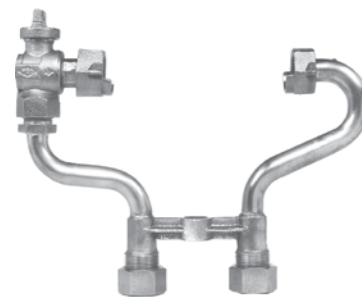
OPTIONS

- Assemblies shipped with two 1/8" EPDM rubber meter gaskets.
- Insert stiffeners are required on all flexible plastic connections.
- **Not all combinations available, contact factory with your requirements.**
- **MOST METER SETTERS ARE MADE TO ORDER AND ARE NOT RETURNABLE.**
- **Please verify with the factory that the model number you have configured is available and meets your requirements.**

731 Series

FOR 5/8", 5/8" X 3/4", 3/4", OR 1" METERS

Vertical Style, Integral CTS, PEP or C903 Compression Inlet & Outlet



5/8" Meter Size	Carton PCS/WT	Price	5/8" x 3/4" Meter Size	Carton PCS/WT	Price	3/4" Meter Size	Carton PCS/WT	Price	1" Meter Size	Carton PCS/WT	Price
731-1--WXTT 33	6/25	\$ 152.14	731-2--WXTT 33	6/27	\$ 152.14	731-3--WXTT 33	6/29	\$ 197.67	731-4--WXTT 44	3/26	\$ 293.55

Inlet / Outlet Option Adders (Price per end):

5/8", 5/8" x 3/4", or 3/4" Meters

Option	Size	List	Size	List
B - "-3G" PEP Grip	3/4"	N/C		
G - "G" CTS Grip	3/4"	N/C	1"	\$ 16.23
H - "H" CTS HandyLoc	3/4"	\$ 3.27	1"	\$ 20.58
J - C903 type	3/4"	\$ 24.42	1"	\$ 33.59
Q - "Q" CTS	3/4"	N/C	1"	\$ 16.22
T - "T" CTS	3/4"	N/C	1"	\$ 16.22
Y - "-3H" Pep HandyLoc	3/4"	\$ 4.36		
Z - "-3Q" PEP pipe	3/4"	N/C		

1" Meters

Option	Size	List
G - "G" CTS Grip	1"	N/C
H - "H" CTS HandyLoc	1"	\$ 4.36
J - C903 type	1"	\$ 33.59
Q - "Q" CTS	1"	N/C
T - "T" CTS	1"	N/C

Single Setter (with Saddle Nut)

		1	2	3	4
Options - add or subtract from base setter model		5/8"	5/8" x 3/4"	3/4"	1"
Standard Ball Valve	W	\$ 61.80	\$ 61.80	\$ 61.80	\$ 124.02
Full Port Ball Valve	J	\$ 112.86	\$ 112.86	\$ 112.86	\$ 170.02
Single Check Valve	C	\$ 56.11	\$ 56.11	\$ 56.11	\$ 67.45
Plug Valve	L	\$ 50.86	\$ 50.86	\$ 50.86	\$ 77.98
Dual Check - ASSE	D	\$ 112.97	\$ 112.97	\$ 112.97	\$ 107.14
Dual Check - ASSE - Full Port	M	N/C	N/C	N/C	\$ 196.08
Dual Check - Cascading (* adds x992 to end of model)	D*	\$ 103.09	\$ 103.09	\$ 103.09	\$ 107.15
Meter Swivel Nut	X	N/C	N/C	N/C	N/C
Additional height in 3" increments	X	\$ 6.91	\$ 6.91	\$ 9.53	\$ 11.07

Tandem Setter (less Saddle Nut)

Change model from 731 series to 751R series

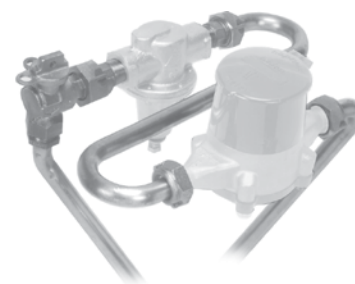
		1	2	3	4
Options - add or subtract from base setter model		5/8"	5/8" x 3/4"	3/4"	1"
Standard Ball Valve	Q	\$ 61.80	\$ 61.80	\$ 61.80	\$ 124.02
Full Port Ball Valve	K	\$ 112.86	\$ 112.86	\$ 112.86	\$ 170.02
Single Check Valve	A	\$ 56.11	\$ 56.11	\$ 56.11	\$ 67.45
Plug Valve	G	\$ 50.86	\$ 50.86	\$ 50.86	\$ 77.98
Dual Check - ASSE	F	\$ 112.97	\$ 112.97	\$ 112.97	\$ 107.14
Dual Check - ASSE - Full Port	P	N/C	N/C	N/C	\$ 196.08
Dual Check - Cascading (* adds x992 to end of model)	F*	\$ 103.09	\$ 103.09	\$ 103.09	\$ 107.15
Meter Swivel Nut	N	N/C	N/C	N/C	N/C
Height adder	7" - 9"	\$ 121.72	\$ 130.05	\$ 158.11	--
	12"	\$ 121.72	\$ 130.05	\$ 159.11	\$ 237.46
	15"	\$ 107.01	\$ 115.29	\$ 144.41	\$ 237.46
	18" - 21"	\$ 110.47	\$ 118.85	\$ 147.95	\$ 237.46
	24"	\$ 110.47	\$ 118.85	\$ 147.95	\$ 249.25

Tandem Setters or resetters include (2) 74619 connections and "S" tube with meter swivel nuts

Contact Factory for the following:

1. Handles for ball valves
2. Test cap on check valves
3. 360° turn valve cap (less check)

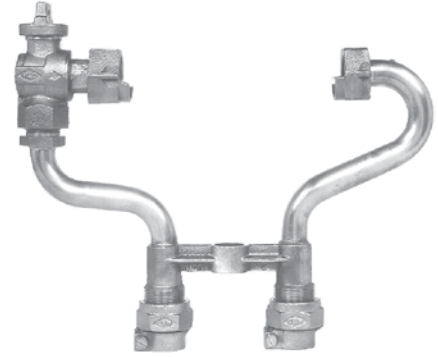
- NOTES:**
- 12" minimum height for 1" setters with dual check.
 - Horizontal bracing eye, wire seal hole and locking are standard.
 - N/C = No additional charge.



732 Series

FOR 5/8", 5/8" X 3/4", 3/4", OR 1" METERS

Vertical Style, Integral -22 CTS, -33 PEP-7, -44 PVC, or -55 IP Compression Inlet & Outlet

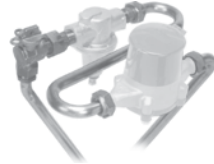


To order 732 Series Model No. **732-2--WX22 33** above means:

Series	Style -- = Standard	Meter Size 1 = 5/8" 2 = 5/8" x 3/4" 3 = 3/4" 4 = 1"	Meter Height 07 = 7" 09 = 9" 10 = 10" Standard 1" Meter 12 = 12" 15 = 15" 18 = 18" 21 = 21" 24 = 24" 27 = 27" Additional heights available, contact factory	Inlet and Outlet Valves C = 3/4" & 1" Port Angle Single Check Valve D = 3/4" Port Angle Dual Check Valve (ASSE 1024) L = Angle Lockwing Plug Valve J = 3/4" & 1" Port Angle Lockwing Ball Valve M = 1" Port Angle Dual Check Valve (ASSE 1024) W = Standard Port Angle Lockwing Ball Valve X = Flanged Tubing with Meter Nut For other special meter connections, contact factory.	Type of connection Inlet and Outlet 5/8", 5/8" x 3/4", 3/4" Meters 2 = "-22" CTS MacPak Integral (3/4", 1") 3 = "-33" PEP MacPak Integral (3/4") 4 = "-44" PVC MacPak Integral (3/4") 5 = "-55" IP MacPak Integral (3/4") 1" Meters 2 = "-22" CTS MacPak Integral (1")	Blank Space	Size Inlet & Outlet 3 = 3/4" 4 = 1"
732	-	2	07	WX	22		33

For Tandem Series

752R Series Horizontal Tandem Setter



Example 752R207QN22 33
Tandem setters are supplied with adapters and "S" tube. Please specify device length and threads when ordering.
12" minimum height on 1" tandem

- A** = 3/4" & 1" Port Angle Single Check Valve
- F** = 3/4" Port Angle Dual Check Valve (ASSE 1024)
- G** = Angle Lockwing Plug Valve
- K** = 3/4" & 1" Port Angle Lockwing Ball Valve
- N** = Flanged Tubing with Meter Nut
- P** = 1" Port Angle Dual Check Valve (ASSE 1024)
- Q** = Standard Port Angle Lockwing Ball Valve
- Z** = Brass Elbow

NOTE: Unless specified all tandem components have meter nuts without support lip.

- Standard device for 5/8", 5/8" x 3/4", 3/4" = 4" - 5" Long FNPT x FNPT
- Standard device for 1" = 5" - 6" Long FNPT x FNPT

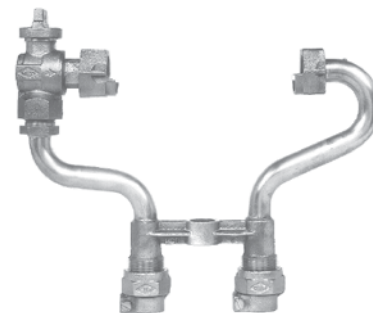
OPTIONS

- Assemblies shipped with two 1/8" EPDM rubber meter gaskets.
- Insert stiffeners are required on all flexible plastic connections.
- **Not all combinations available, contact factory with your requirements.**
- **MOST METER SETTERS ARE MADE TO ORDER AND ARE NOT RETURNABLE.**
- Please verify with the factory that the model number you have configured is available and meets your requirements.

732 Series

FOR 5/8", 5/8" X 3/4", 3/4", OR 1" METERS

Vertical Style, Integral -22 CTS, -33 PEP-7, -44 PVC, or -55 IP Compression Inlet & Outlet



5/8" Meter Size	Carton PCS/WT	Price	5/8" x 3/4" Meter Size	Carton PCS/WT	Price	3/4" Meter Size	Carton PCS/WT	Price	1" Meter Size	Carton PCS/WT	Price
732-1--WX22 33	6/24	\$ 152.14	732-2--WX22 33	6/24	\$ 152.14	732-3--WX22 33	6/27	\$ 197.67	732-4--WX22 44	3/25	\$ 293.55

Inlet / Outlet Option Adders (Price per end):

5/8", 5/8" x 3/4", or 3/4" Meters

Option	Size	List	Size	List
2 - "-22" CTS	3/4"	N/C	1"	\$ 16.22
3 - "-33" PEP	3/4"	N/C		
4 - "-44" PVC	3/4"	N/C		
5 - "-55" IP	3/4"	N/C		

1" Meters

Option	Size	List
2 - "-22" CTS	1"	N/C

Single Setter (with Saddle Nut)

Options - add or subtract from base setter model		1	2	3	4
		5/8"	5/8" x 3/4"	3/4"	1"
Standard Ball Valve	W	\$ 61.80	\$ 61.80	\$ 61.80	\$ 124.02
Full Port Ball Valve	J	\$ 112.86	\$ 112.86	\$ 112.86	\$ 170.02
Single Check Valve	C	\$ 56.11	\$ 56.11	\$ 56.11	\$ 67.45
Plug Valve	L	\$ 50.86	\$ 50.86	\$ 50.86	\$ 77.98
Dual Check - ASSE	D	\$ 112.97	\$ 112.97	\$ 112.97	\$ 107.14
Dual Check - ASSE - Full Port	M	N/C	N/C	N/C	\$ 196.08
Dual Check - Cascading (* adds x992 to end of model)	D*	\$ 103.09	\$ 103.09	\$ 103.09	\$ 107.15
Meter Swivel Nut	X	N/C	N/C	N/C	N/C
Additional height in 3" increments	X	\$ 6.91	\$ 6.91	\$ 9.53	\$ 11.07

Tandem Setter (less Saddle Nut)

Change model from 732 series to 752R series

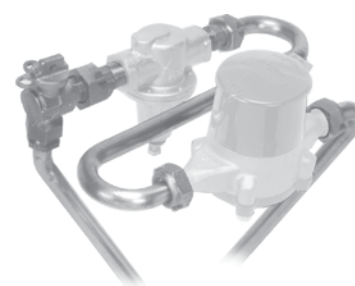
Options - add or subtract from base setter model		1	2	3	4
		5/8"	5/8" x 3/4"	3/4"	1"
Standard Ball Valve	Q	\$ 61.80	\$ 61.80	\$ 61.80	\$ 124.02
Full Port Ball Valve	K	\$ 112.86	\$ 112.86	\$ 112.86	\$ 170.02
Single Check Valve	A	\$ 56.11	\$ 56.11	\$ 56.11	\$ 67.45
Plug Valve	G	\$ 50.86	\$ 50.86	\$ 50.86	\$ 77.98
Dual Check - ASSE	F	\$ 112.97	\$ 112.97	\$ 112.97	\$ 107.14
Dual Check - ASSE - Full Port	P	N/C	N/C	N/C	\$ 196.08
Dual Check - Cascading (* adds x992 to end of model)	F*	\$ 103.09	\$ 103.09	\$ 103.09	\$ 107.15
Meter Swivel Nut	N	N/C	N/C	N/C	N/C
Height adder	7" - 9"	\$ 121.72	\$ 130.05	\$ 158.11	--
	12"	\$ 121.72	\$ 130.05	\$ 159.11	\$ 237.46
	15"	\$ 107.01	\$ 115.29	\$ 144.41	\$ 237.46
	18" - 21"	\$ 110.47	\$ 118.85	\$ 147.95	\$ 237.46
	24"	\$ 110.47	\$ 118.85	\$ 147.95	\$ 249.25

Tandem Setters or resetters include (2) 74619 connections and "S" tube with meter swivel nuts

Contact Factory for the following:

1. Handles for ball valves
2. Test cap on check valves
3. 360° turn valve cap (less check)

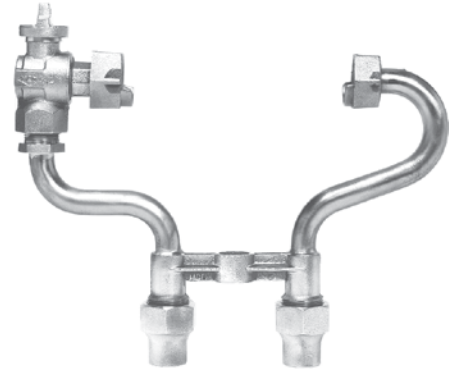
NOTES: - 12" minimum height for 1" setters with dual check.
 - Horizontal bracing eye, wire seal hole and lockwing are standard.
 - N/C = No additional charge.



737 Series

FOR 5/8", 5/8" X 3/4", 3/4", OR 1" METERS

Vertical Style, Integral Flare Inlet x Integral Flare Outlet

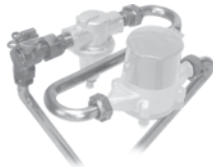


To order 737 Series Model No. **737-2--WXCC 33** above means:

737	-	2	07	INLET OUTLET WX	INLET OUTLET CC		33
Series	Style -- Standard	Meter Size 1 = 5/8" 2 = 5/8" x 3/4" 3 = 3/4" 4 = 1"	Meter Height 07 = 7" 09 = 9" 10 = 10" Standard 1" Meter 12 = 12" 15 = 15" 18 = 18" 21 = 21" 24 = 24" 27 = 27" Additional heights available, contact factory	Inlet and Outlet Valves C = 3/4" & 1" Port Angle Single Check Valve D = 3/4" Port Angle Dual Check Valve (ASSE 1024) L = Angle Lockwing Plug Valve J = 3/4" & 1" Port Angle Lockwing Ball Valve M = 1" Port Angle Dual Check Valve (ASSE 1024) W = Standard Port Angle Lockwing Ball Valve X = Flanged Tubing with Meter Nut For other special meter connections, contact factory.	Type of connection Inlet and Outlet 5/8", 5/8" x 3/4", 3/4" Meters C = Copper Flare Integral (3/4" or 1") 1" Meters C = Copper Flare Integral (1")	Blank Space	Size Inlet & Outlet 3 = 3/4" 4 = 1"

18" & Taller includes
Brace Support Bar

For Tandem Series



759R
Series
Horizontal
Tandem
Setter

Example 759R207QNCC 33
Tandem setters are supplied with adapters and "S" tube. Please specify device length and threads when ordering.
12" minimum height on 1" tandem

- A = 3/4" & 1" Port Angle Single Check Valve
- F = 3/4" Port Angle Dual Check Valve (ASSE 1024)
- G = Angle Lockwing Plug Valve
- K = 3/4" & 1" Port Angle Lockwing Ball Valve
- N = Flanged Tubing with Meter Nut
- P = 1" Port Angle Dual Check Valve (ASSE 1024)
- Q = Standard Port Angle Lockwing Ball Valve
- Z = Brass Elbow

NOTE: Unless specified all tandem components have meter nuts without support lip.

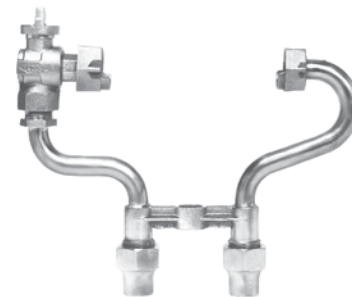
OPTIONS

- Assemblies shipped with two 1/8" EPDM rubber meter gaskets.
- Insert stiffeners are required on all flexible plastic connections.
- **Not all combinations available, contact factory with your requirements.**
- **MOST METER SETTERS ARE MADE TO ORDER AND ARE NOT RETURNABLE.**
- Please verify with the factory that the model number you have configured is available and meets your requirements.

737 Series

FOR 5/8", 5/8" X 3/4", 3/4", OR 1" METERS

Vertical Style, Integral Flare Inlet x Integral Flare Outlet



5/8" Meter Size	Carton PCS/WT	Price	5/8" x 3/4" Meter Size	Carton PCS/WT	Price	3/4" Meter Size	Carton PCS/WT	Price	1" Meter Size	Carton PCS/WT	Price
737-1--WXCC 33	6/24	\$ 150.85	737-2--WXCC 33	6/28	\$ 150.85	737-3--WXCC 33	6/29	\$ 176.38	737-4--WXCC 44	3/21	\$ 300.83

Inlet Option Adders (Price per end):

5/8" or 5/8" x 3/4" Meters

Option	Size	List	Size	List
C - Copper Flare	3/4"	N/C	1"	\$ 8.23

1" Meters

Option	Size	List
C - Copper Flare	1"	N/C

Single Setter (with Saddle Nut)

Options - add or subtract from base setter model		1	2	3	4
		5/8"	5/8" x 3/4"	3/4"	1"
Standard Ball Valve	W	\$ 61.80	\$ 61.80	\$ 61.80	\$ 124.02
Full Port Ball Valve	J	\$ 112.86	\$ 112.86	\$ 112.86	\$ 170.02
Single Check Valve	C	\$ 56.11	\$ 56.11	\$ 56.11	\$ 67.45
Plug Valve	L	\$ 50.86	\$ 50.86	\$ 50.86	\$ 77.98
Dual Check - ASSE	D	\$ 112.97	\$ 112.97	\$ 112.97	\$ 107.14
Dual Check - ASSE - Full Port	M	N/C	N/C	N/C	\$ 196.08
Dual Check - Cascading (* adds x992 to end of model)	D*	\$ 103.09	\$ 103.09	\$ 103.09	\$ 107.15
Meter Swivel Nut	X	N/C	N/C	N/C	N/C
Additional height in 3" increments	X	\$ 6.91	\$ 6.91	\$ 9.53	\$ 11.07

Tandem Setter (less Saddle Nut)

Change model from 737 series to 759R series

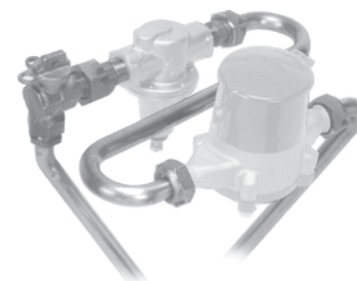
Options - add or subtract from base setter model		1	2	3	4
		5/8"	5/8" x 3/4"	3/4"	1"
Standard Ball Valve	Q	\$ 61.80	\$ 61.80	\$ 61.80	\$ 124.02
Full Port Ball Valve	K	\$ 112.86	\$ 112.86	\$ 112.86	\$ 170.02
Single Check Valve	A	\$ 56.11	\$ 56.11	\$ 56.11	\$ 67.45
Plug Valve	G	\$ 50.86	\$ 50.86	\$ 50.86	\$ 77.98
Dual Check - ASSE	F	\$ 112.97	\$ 112.97	\$ 112.97	\$ 107.14
Dual Check - ASSE - Full Port	P	N/C	N/C	N/C	\$ 196.08
Dual Check - Cascading (* adds x992 to end of model)	F*	\$ 103.09	\$ 103.09	\$ 103.09	\$ 107.15
Meter Swivel Nut	N	N/C	N/C	N/C	N/C
Height adder	7" - 9"	\$ 121.72	\$ 130.05	\$ 158.11	--
	12"	\$ 121.72	\$ 130.05	\$ 159.11	\$ 237.46
	15"	\$ 107.01	\$ 115.29	\$ 144.41	\$ 237.46
	18" - 21"	\$ 110.47	\$ 118.85	\$ 147.95	\$ 237.46
	24"	\$ 110.47	\$ 118.85	\$ 147.95	\$ 249.25

Tandem Setters or resetters include (2) 74619 connections and "S" tube with meter swivel nuts

Contact Factory for the following:

1. Handles for ball valves
2. Test cap on check valves
3. 360° turn valve cap (less check)

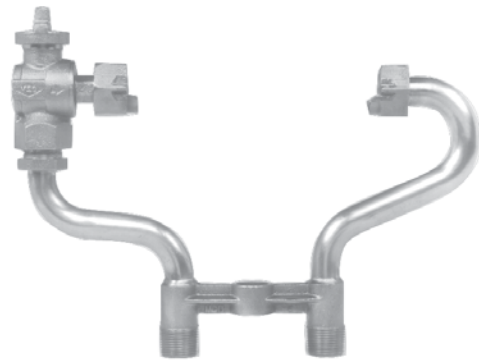
- NOTES:**
- 12" minimum height for 1" setters with dual check.
 - Horizontal bracing eye, wire seal hole and locking are standard.
 - **N/C** = No additional charge.



738 Series

FOR 5/8", 5/8" X 3/4", 3/4", OR 1" METERS

Vertical Style, Integral MNPT Inlet x Integral MNPT Outlet

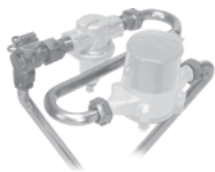


To order 738 Series Model No. **738-2--WXPP 33** above means:

738	-	2	07	INLET OUTLET WX	INLET OUTLET PP		33
Series	Style -- Standard	Meter Size 1 = 5/8" 2 = 5/8" x 3/4" 3 = 3/4" 4 = 1"	Meter Height 07 = 7" 09 = 9" 10 = 10" Standard 1" Meter 12 = 12" 15 = 15" 18 = 18" 21 = 21" 24 = 24" 27 = 27"	Inlet and Outlet Valves C = 3/4" & 1" Port Angle Single Check Valve D = 3/4" Port Angle Dual Check Valve (ASSE 1024) L = Angle Lockwing Plug Valve J = 3/4" & 1" Port Angle Lockwing Ball Valve M = 1" Port Angle Dual Check Valve (ASSE 1024) W = Standard Port Angle Lockwing Ball Valve X = Flanged Tubing with Meter Nut	Type of connection Inlet and Outlet 5/8", 5/8" x 3/4", 3/4" Meters P = Male Iron Pipe Integral (3/4") 1" Meters P = Male Iron Pipe Integral (1")	Blank Space	Size Inlet & Outlet 3 = 3/4" 4 = 1"
		18" & Taller includes Brace Support Bar	Additional heights available, contact factory	For other special meter connections, contact factory.			

For Tandem Series

758R Series Horizontal Tandem Setter



Example 758R207QNPP 33
Tandem setters are supplied with adapters and "S" tube. Please specify device length and threads when ordering.
12" minimum height on 1" tandem

- A = 3/4" & 1" Port Angle Single Check Valve
- F = 3/4" Port Angle Dual Check Valve (ASSE 1024)
- G = Angle Lockwing Plug Valve
- K = 3/4" & 1" Port Angle Lockwing Ball Valve
- N = Flanged Tubing with Meter Nut
- P = 1" Port Angle Dual Check Valve (ASSE 1024)
- Q = Standard Port Angle Lockwing Ball Valve Rated at 300 PSIG
- Z = Brass Elbow

NOTE: Unless specified all tandem components have meter nuts without support lip.

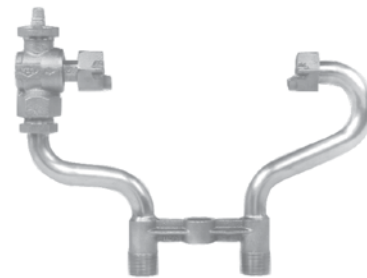
OPTIONS

- Assemblies shipped with two 1/8" EPDM rubber meter gaskets.
- Insert stiffeners are required on all flexible plastic connections.
- Not all combinations available, contact factory with your requirements.
- MOST METER SETTERS ARE MADE TO ORDER AND ARE NOT RETURNABLE.
- Please verify with the factory that the model number you have configured is available and meets your requirements.

738 Series

FOR 5/8", 5/8" X 3/4", 3/4", OR 1" METERS

Vertical Style, Integral MNPT Inlet x Integral MNPT Outlet



5/8" Meter Size	Carton PCS/WT	Price	5/8" x 3/4" Meter Size	Carton PCS/WT	Price	3/4" Meter Size	Carton PCS/WT	Price	1" Meter Size	Carton PCS/WT	Price
738-1--WXPP 33	6/22	\$ 172.80	738-2--WXPP 33	6/23	\$ 172.80	738-3--WXPP 33	6/26	\$ 194.50	738-4--WXPP 44	3/22	\$ 323.34

Inlet Option Adders (Price per end):

5/8", 5/8" x 3/4" or 3/4" Meters

Option	Size	List
P - Male iron pipe thread	3/4"	N/C

1" Meters

Option	Size	List
P - Male iron pipe thread	1"	N/C

Single Setter (with Saddle Nut)

Options - add or subtract from base setter model		1	2	3	4
		5/8"	5/8" x 3/4"	3/4"	1"
Standard Ball Valve	W	\$ 61.80	\$ 61.80	\$ 61.80	\$ 124.02
Full Port Ball Valve	J	\$ 112.86	\$ 112.86	\$ 112.86	\$ 170.02
Single Check Valve	C	\$ 56.11	\$ 56.11	\$ 56.11	\$ 67.45
Plug Valve	L	\$ 50.86	\$ 50.86	\$ 50.86	\$ 77.98
Dual Check - ASSE	D	\$ 112.97	\$ 112.97	\$ 112.97	\$ 107.14
Dual Check - ASSE - Full Port	M	N/C	N/C	N/C	\$ 196.08
Dual Check - Cascading (* adds x992 to end of model)	D*	\$ 103.09	\$ 103.09	\$ 103.09	\$ 107.15
Meter Swivel Nut	X	N/C	N/C	N/C	N/C
Additional height in 3" increments	X	\$ 6.91	\$ 6.91	\$ 9.53	\$ 11.07

Tandem Setter (less Saddle Nut)

Change model from 738 series to 758R series

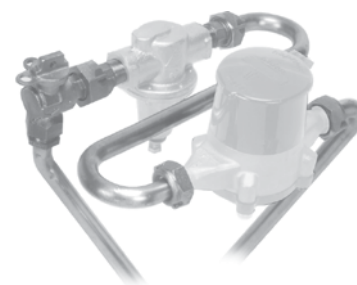
Options - add or subtract from base setter model		1	2	3	4
		5/8"	5/8" x 3/4"	3/4"	1"
Standard Ball Valve	Q	\$ 61.80	\$ 61.80	\$ 61.80	\$ 124.02
Full Port Ball Valve	K	\$ 112.86	\$ 112.86	\$ 112.86	\$ 170.02
Single Check Valve	A	\$ 56.11	\$ 56.11	\$ 56.11	\$ 67.45
Plug Valve	G	\$ 50.86	\$ 50.86	\$ 50.86	\$ 77.98
Dual Check - ASSE	F	\$ 112.97	\$ 112.97	\$ 112.97	\$ 107.14
Dual Check - ASSE - Full Port	P	N/C	N/C	N/C	\$ 196.08
Dual Check - Cascading (* adds x992 to end of model)	F*	\$ 103.09	\$ 103.09	\$ 103.09	\$ 107.15
Meter Swivel Nut	N	N/C	N/C	N/C	N/C
Height adder	7" - 9"	\$ 121.72	\$ 130.05	\$ 158.11	--
	12"	\$ 121.72	\$ 130.05	\$ 159.11	\$ 237.46
	15"	\$ 107.01	\$ 115.29	\$ 144.41	\$ 237.46
	18" - 21"	\$ 110.47	\$ 118.85	\$ 147.95	\$ 237.46
	24"	\$ 110.47	\$ 118.85	\$ 147.95	\$ 249.25

Tandem Setters or resetters include (2) 74619 connections and "S" tube with meter swivel nuts

Contact Factory for the following:

1. Handles for ball valves
2. Test cap on check valves
3. 360° turn valve cap (less check)

- NOTES:**
- 12" minimum height for 1" setters with dual check.
 - Horizontal bracing eye, wire seal hole and locking are standard.
 - N/C = No additional charge.

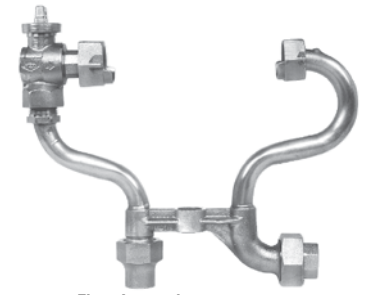


739 Series

FOR 5/8", 5/8" X 3/4", 3/4", OR 1" METERS

Vertical/Horizontal Style, Multiple Combinations

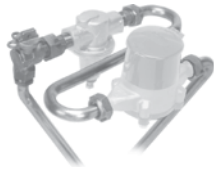
- Not all combinations are available, contact factory



To order 739 Series Model No. **739-207WXCD 33** above means:

739	-	2	07	INLET OUTLET WX	INLET OUTLET CD		33
Series	Style - = Standard	Meter Size	Meter Height	Inlet and Outlet Valves	Type of connection Inlet and Outlet	Blank Space	Size Inlet & Outlet
		1 = 5/8" 2 = 5/8" x 3/4" 3 = 3/4" 4 = 1"	07 = 7" 09 = 9" 10 = 10" Standard 1" Meter 12 = 12" 15 = 15" 18 = 18" 21 = 21" 24 = 24" 27 = 27"	C = 3/4" & 1" Port Angle Single Check Valve D = 3/4" Port Angle Dual Check Valve (ASSE 1024) L = Angle Lockwing Plug Valve J = 3/4" & 1" Port Angle Lockwing Ball Valve M = 1" Port Angle Dual Check Valve (ASSE 1024) W = Standard Port Angle Lockwing Ball Valve X = Flanged Tubing with Meter Nut	5/8", 5/8" x 3/4", 3/4" Meters C = Copper Flare Integral (3/4") T = "T" CTS Integral (3/4") 2 = "-2"2 CTS MacPak Integral (3/4") Double Purpose Inlet* x Integral Outlet Q = "Q" CTS McQuik Integral (3/4") G = "G" CTS McGrip Integral (3/4") H = "H" CTS PE Handyloc Integral (3/4") T = "T" CTS Integral (3/4") 2 = "-22" CTS MacPak Integral (3/4") Integral Inlet / Outlet C = Copper Flare Integral (3/4") T = "T" CTS Integral (3/4") 2 = "-22" CTS MacPak Integral (3/4")		1 = 1/2" 3 = 3/4" 4 = 1" 5 = 1 1/4" 6 = 1 1/2"
			18" & Taller includes Brace Support Bar	For other special meter connections, contact factory.			

For Tandem Series



Example 759-207QNC D 33
Tandem setters are supplied with adapters and "S" tube. Please specify device length and threads when ordering.
12" minimum height on 1" tandem

- A** = 3/4" & 1" Port Angle Single Check Valve
- F** = 3/4" Port Angle Dual Check Valve (ASSE 1024)
- G** = Angle Lockwing Plug Valve
- K** = 3/4" & 1" Port Angle Lockwing Ball Valve
- N** = Flanged Tubing with Meter Nut
- P** = 1" Port Angle Dual Check Valve (ASSE 1024)
- Q** = Standard Port Angle Lockwing Ball Valve
- Z** = Brass Elbow

NOTE: Unless specified all tandem components have meter nuts without support lip.

Double Purpose Options

- C** = Copper Flare Union (3/4" or 1")
- D** = Double Purpose Union (Flare or FNPT) (3/4")
- F** = FNPT Union (1/2" or 1")
- G** = "G" CTS McGrip Union (3/4")
- J** = C903 Union (3/4")
- M** = MNPT Union (3/4", 1" or 1 1/4")
- Q** = "Q" CTS McQuik Union (3/4")
- S** = Solder Union (3/4" or 1")
- T** = "T" CTS Union (3/4", 1" or 1 1/4")
- 2 = "-22" CTS MacPak Union (3/4", 1" or 1 1/4")
- 3 = "-33" PEP MacPak Union (3/4" or 1")
- 4 = "-44" PVC MacPak Union (3/4" or 1")
- 5 = "-55" IP MacPak Union (3/4" or 1")

1" Meters

Integral Inlet x Double Purpose Outlet*

- C** = Copper Flare Integral (1")
- G** = "G" CTS McGrip Integral (1")
- H** = "H" CTS PE Handyloc Integral (1")
- Q** = "Q" CTS McQuik Integral (1")
- T** = "T" CTS Integral (1")
- 2 = "-22" CTS MacPak Integral (1")

Double Purpose Inlet* x Integral Outlet

- Q** = "Q" CTS McQuik Integral (1")
- G** = "G" CTS McGrip Integral (1")
- H** = "H" CTS PE Handyloc Integral (1")
- T** = "T" CTS Integral (1")
- 2 = "-22" CTS MacPak Integral (1")

Integral Inlet / Outlet

- G** = "G" CTS McGrip Integral (1" or 1 1/4" x 1")
- H** = "H" CTS Handyloc Integral (1" or 1 1/4" x 1")
- Q** = "Q" CTS McQuik Integral (1" or 1 1/4" x 1")
- T** = "T" CTS Integral (1" or 1 1/4" x 1")
- 2 = "-22" CTS MacPak Integral (1" or 1 1/4" x 1")

Double Purpose Options

- D** = Double Purpose Union (Flare or FNPT) (1")
- M** = MNPT Union (1" or 1 1/4")
- S** = Solder Union (1")

OPTIONS

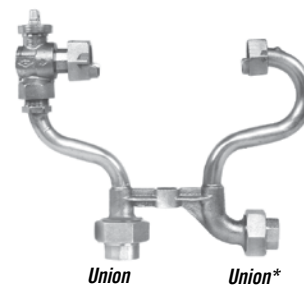
- Assemblies shipped with two 1/8" EPDM rubber meter gaskets.
- Insert stiffeners are required on all flexible plastic connections.
- Not all combinations available, contact factory with your requirements.
- MOST METER SETTERS ARE MADE TO ORDER AND ARE NOT RETURNABLE.
- Please verify with the factory that the model number you have configured is available and meets your requirements.

739 Series

FOR 5/8", 5/8" X 3/4", 3/4", OR 1" METERS

Vertical/Horizontal Style, Multiple Combinations

- Not all combinations are available, contact factory



5/8" Meter Size	Carton PCS/WT	Price	5/8" x 3/4" Meter Size	Carton PCS/WT	Price	3/4" Meter Size	Carton PCS/WT	Price	1" Meter Size	Carton PCS/WT	Price
739-107WXDD 33	6/43	\$ 174.16	739-207WXDD 33	6/31	\$ 174.16	739-307WXDD 33	6/32	\$ 174.16	739-410WXDD 44		\$ 329.07

Inlet / Outlet Option Adders (Price per end):

5/8", 5/8" x 3/4", or 3/4" Meters

Option	Size	List	Size	List
C - Copper flare union	3/4"	\$ 19.82	1"	\$ 35.65
D - Double Purpose Union (Flare or FNPT)	3/4"	N/C		
F - FNPT union	1/2"	\$ 10.27	1"	\$ 9.24
G - "G" CTS union	3/4"	\$ 14.15		
H - "H" CTS HandyLoc union	3/4"	\$ 17.42		
J - C903 type union	3/4"	\$ 38.56		
L - Less end connection	3/4"	\$ (-14.49)		
M - MNPT union	3/4"	N/C	1"	\$ 9.24
Q - "Q" CTS union	3/4"	\$ 14.15		
S - Solder union	3/4"	N/C	1"	\$ 4.79
T - "T" CTS union	3/4"	\$ 14.15	1"	\$ 31.80
2 - "-22" CTS union	3/4"	\$ 14.15	1"	\$ 31.80
3 - "-33" PEP union	3/4"	\$ 40.85		
4 - "-44" PVC union	3/4"	\$ 40.85		
5 - "-55" IP union	3/4"	\$ 40.85		

Inlet / Outlet Option Adders (Price per end):

5/8", 5/8" x 3/4", or 3/4" Meters

Option	Size	List	Size	List	Size	List
2 - "-22" CTS	3/4"	\$ 4.94	1"	\$ 1.19	1 1/4"	\$ 39.39
3 - "-33" PEP	3/4"	N/C	1"	\$ 9.24		
4 - "-44" PVC	3/4"	N/C	1"	\$ 9.24		
5 - "-55" IP	3/4"	N/C	1"	\$ 9.24		
Flare	3/4"	\$ 6.98				

1" Meters

Option	Size	List	Size	List
2 - "-22" CTS	1"	N/C	1 1/4"	\$ 10.81
3 - "-33" PEP	1"	\$ 13.32		
4 - "-44" PVC	1"	\$ 13.32		
5 - "-55" IP	1"	\$ 13.32		

1" Meters

Option	Size	List
D - Double Purpose Union (Flare or FNPT)	1"	N/C
J - C903 type union	1"	\$ 33.59
L - Less end connection	1"	\$ (-23.22)
M - MNPT union	1"	N/C
Q - "Q" CTS union	1"	\$ 25.69
S - Solder union	1"	N/C
T - "T" CTS union	1"	\$ 25.69
2 - "-22" CTS union	1"	\$ 25.69

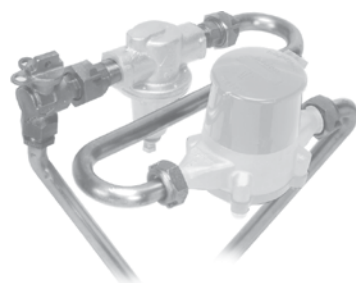
Single Setter (with Saddle Nut)

Options - add or subtract from base setter model		1 5/8"	2 5/8" x 3/4"	3 3/4"	4 1"
Standard Ball Valve	W	\$ 61.80	\$ 61.80	\$ 61.80	\$ 124.02
Full Port Ball Valve	J	\$ 112.86	\$ 112.86	\$ 112.86	\$ 170.02
Single Check Valve	C	\$ 56.11	\$ 56.11	\$ 56.11	\$ 67.45
Plug Valve	L	\$ 50.86	\$ 50.86	\$ 50.86	\$ 77.98
Dual Check - ASSE	D	\$ 112.97	\$ 112.97	\$ 112.97	\$ 107.14
Dual Check - ASSE - Full Port	M	N/C	N/C	N/C	\$ 196.08
Dual Check - Cascading (* adds x992 to end of model)	D*	\$ 103.09	\$ 103.09	\$ 103.09	\$ 107.15
Meter Swivel Nut	X	N/C	N/C	N/C	N/C
Additional height in 3" increments	X	\$ 6.91	\$ 6.91	\$ 9.53	\$ 11.07

Tandem Setter (less Saddle Nut)

Change model from 739 series to 759R series

Options - add or subtract from base setter model		1 5/8"	2 5/8" x 3/4"	3 3/4"	4 1"
Standard Ball Valve	Q	\$ 61.80	\$ 61.80	\$ 61.80	\$ 124.02
Full Port Ball Valve	K	\$ 112.86	\$ 112.86	\$ 112.86	\$ 170.02
Single Check Valve	A	\$ 56.11	\$ 56.11	\$ 56.11	\$ 67.45
Plug Valve	G	\$ 50.86	\$ 50.86	\$ 50.86	\$ 77.98
Dual Check - ASSE	F	\$ 112.97	\$ 112.97	\$ 112.97	\$ 107.14
Dual Check - ASSE - Full Port	P	N/C	N/C	N/C	\$ 196.08
Dual Check - Cascading (* adds x992 to end of model)	F*	\$ 103.09	\$ 103.09	\$ 103.09	\$ 107.15
Meter Swivel Nut	N	N/C	N/C	N/C	N/C
Height adder	7" - 9"	\$ 121.72	\$ 130.05	\$ 158.11	--
	12"	\$ 121.72	\$ 130.05	\$ 159.11	\$ 237.46
	15"	\$ 107.01	\$ 115.29	\$ 144.41	\$ 237.46
	18" - 21"	\$ 110.47	\$ 118.85	\$ 147.95	\$ 237.46
	24"	\$ 110.47	\$ 118.85	\$ 147.95	\$ 249.25



See Page 299 for line drawings of End Connections and Assemblies.

Tandem Setters or resetters include (2) 74619 connections and "S" tube with meter swivel nuts

Contact Factory for the following:

1. Handles for ball valves
2. Test cap on check valves
3. 360° turn valve cap (less check)

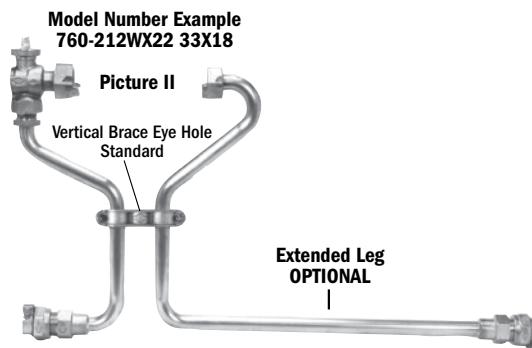
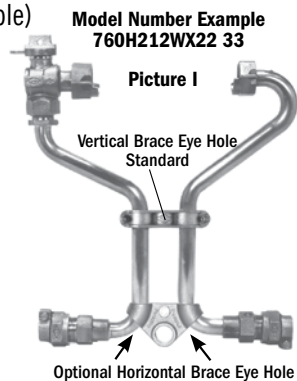
NOTES:

- 12" minimum height for 1" setters with dual check.
- Horizontal bracing eye, wire seal hole and locking are standard.
- N/C = No additional charge.

760, 761, 762, 763 Series

FOR 5/8", 5/8" X 3/4", 3/4", OR 1" METERS

Horizontal "F" Series (Flexible)



To order 760 Series Model No. **760-212WX22 33x18** above means:

760	-	2	12	WX	22		33	18
Series	Style	Meter Size	Meter Height	Inlet and Outlet Valves	Type of connection Inlet and Outlet	Blank Space	Size Inlet & Outlet	Extended Leg
	- = Standard H = Horizontal Brace Eye (3/4" or 1")	1 = 5/8" 2 = 5/8" x 3/4" 3 = 3/4" 4 = 1"	12 = 12" Minimum for 5/8", 5/8" x 3/4", 3/4" Meter 15 = 15" Minimum for 1" Meter 18 = 18" 21 = 21" 24 = 24" 27 = 27"	C = 3/4" & 1" Port Angle Single Check Valve D = 3/4" Port Angle Dual Check Valve (ASSE 1024) L = Angle Lockwing Plug Valve J = 3/4" & 1" Port Angle Lockwing Ball Valve M = 1" Port Angle Dual Check Valve (ASSE 1024) W = Standard Port Angle Lockwing Ball Valve X = Flanged Tubing with Meter Nut			1 3 = 3/4" 4 = 1"	1 9" 12" 15" 18" 24"

18" & Taller includes Brace Support Bar

Additional heights available, contact factory

5/8", 5/8" x 3/4", 3/4" Meters

- B** = "-3G" PEP McGrip Integral (3/4" or 1")
- C** = Copper Flare Integral (3/4" or 1")
- D** = Double Purpose Union (Flare or FNPT) (3/4")
- F** = FNPT Union (1/2" or 1")
- G** = "G" CTS McGrip Integral (3/4" or 1")
- H** = "H" CTS PE Handyloc Integral (3/4" or 1")
- J** = C903 Integral (3/4" or 1")
- M** = MNPT Union (3/4", 1")
- P** = MNPT Integral (3/4" or 1")
- Q** = "Q" CTS McQuik Integral (3/4" or 1")
- S** = Solder Union (3/4" or 1")
- T** = "T" CTS Integral (3/4" or 1")
- Y** = "-3H" PEP Handyloc Integral (3/4" or 1")
- Z** = "-3Q" PEP McQuik Integral (3/4")
- 2** = "-22" CTS MacPak Integral (3/4" or 1")
- 3** = "-33" PEP MacPak Integral (3/4")
- 4** = "-44" PVC MacPak Integral (3/4")
- 5** = "-55" IP MacPak Integral (3/4")

1" Meters

- B** = "-3G" PEP McGrip Union (1")
- C** = Copper Flare Integral (1")
- D** = Double Purpose Union (Flare or FNPT) 1")
- G** = "G" CTS McGrip Integral (1")
- H** = "H" CTS PE Handyloc Integral (1")
- J** = C903 Integral (1")
- I** = FNPT Integral (1")
- M** = MNPT Union (1" or 1 1/4")
- P** = MNPT Integral (1")
- Q** = "Q" CTS McQuik Integral (1")
- S** = Solder Union (1")
- T** = "T" CTS Integral (1")
- Y** = "-3H" PEP Handyloc Integral (1")
- Z** = "-3Q" PEP McQuik Integral (1")
- 2** = "-22" CTS MacPak Integral (1")
- 3** = "-33" PEP MacPak Integral (1")
- 4** = "-44" PVC MacPak Integral (1")
- 5** = "-55" IP MacPak Integral (1")

For Tandem Series



Example 761-207QNDD 33
Tandem setters are supplied with adapters and "S" tube. Please specify device length and threads when ordering.
12" minimum height on 1" tandem

761 Series Horizontal Tandem Setter

763 Series Vertical Horizontal Tandem

- A** = 3/4" & 1" Port Angle Single Check Valve
- F** = 3/4" Port Angle Dual Check Valve (ASSE 1024)
- G** = Angle Lockwing Plug Valve
- K** = 3/4" & 1" Port Angle Lockwing Ball Valve
- N** = Flanged Tubing with Meter Nut
- P** = 1" Port Angle Dual Check Valve (ASSE 1024)
- Q** = Standard Port Angle Lockwing Ball Valve
- Z** = Brass Elbow

NOTE: Unless specified all tandem components have meter nuts without support lip.

OPTIONS

- Assemblies shipped with two 1/8" EPDM rubber meter gaskets.
- Insert stiffeners are required on all flexible plastic connections.
- **Not all combinations available, contact factory with your requirements.**
- **MOST METER SETTERS ARE MADE TO ORDER AND ARE NOT RETURNABLE.**
- **Please verify with the factory that the model number you have configured is available and meets your requirements.**

760, 761, 762, 763 Series

FOR 5/8", 5/8" X 3/4", 3/4", OR 1" METERS

Horizontal "F" Style (Flexible)

5/8" Meter Size	Carton PCS/WT	Price	5/8" x 3/4" Meter Size	Carton PCS/WT	Price	3/4" Meter Size	Carton PCS/WT	Price	1" Meter Size	Carton PCS/WT	Price
760-112WXPP 33	6/27	\$ 191.43	760-212WXPP 33		\$ 195.64	760-312WXPP 33		\$ 224.98	760-415WXPP 44		\$ 336.72
760-115WXPP 33		\$ 195.94	760-215WXPP 33		\$ 200.15	760-315WXPP 33		\$ 233.71	760-418WXPP 44	3/29	\$ 370.83
760-118WXPP 33	6/30	\$ 218.40	760-218WXPP 33	6/30	\$ 222.55	760-318WXPP 33	6/37	\$ 254.13	760-421WXPP 44		\$ 387.18
760-121WXPP 33		\$ 226.69	760-221WXPP 33		\$ 230.81	760-321WXPP 33		\$ 263.16	760-424WXPP 44		\$ 397.07
760-124WXPP 33	6/33	\$ 233.43	760-224WXPP 33		\$ 237.52	760-324WXPP 33		\$ 272.38			

Connection Option Adders (Price per end):

5/8", 5/8" x 3/4", or 3/4" Meters

Option	Size	List	Size	List
B - "-3G" PEP Grip	3/4"	N/C	1"	\$ 12.16
C - Copper flare union	3/4"	\$ 6.05	1"	\$ 18.20
D - Double Purpose (Flare or FNPT)	3/4"	\$ 14.45		
F - FNPT union	1/2"	\$ 29.60	1"	\$ 35.53
G - "G" CTS Grip	3/4"	N/C	1"	\$ 16.23
I - FNPT Integral		N/C		
J - C903	3/4"	\$ 24.42	1"	\$ 33.59
M - MNPT union	3/4"	\$ 14.45	1"	\$ 20.64
P - MNPT (Integral)	3/4"	N/C		
Q - "Q" CTS	3/4"	\$ 11.76	1"	\$ 27.45
S - Solder union	3/4"	\$ 27.80	1"	\$ 35.36
T - "T" CTS	3/4"	\$ 11.76	1"	\$ 27.45
Y - "-3H" Pep HandyLoc	3/4"	\$ 4.36	1"	\$ 18.72
Z - "-3Q" PEP	3/4"	\$ 15.49	1"	\$ 35.36
2 - "-22" CTS	3/4"	\$ 11.76	1"	\$ 27.45
3 - "-33" PEP	3/4"	\$ 15.49	1"	\$ 35.27
4 - "-44" PVC	3/4"	\$ 15.49	1"	\$ 35.27
5 - "-55" IP	3/4"	\$ 15.49	1"	\$ 35.27

1" Meters

Option	Size	List	Size	List
B - "-3G" PEP Grip	1"	\$ 13.25		
C - Copper flare union	1"	\$ 12.82		
D - Double Purpose (Flare or FNPT)	1"	\$ 27.01		
G - "G" CTS Grip	1"	N/C		
I - FNPT Integral	1"	N/C		
J - C903	1"	\$ 33.59		
M - MNPT union	1"	\$ 27.01		
P - MNPT (Integral)	1"	N/C		
Q - "Q" CTS	1"	\$ 17.53	1 1/4"	\$ 6.13
S - Solder union	1"	N/C		
T - "T" CTS	1"	\$ 17.53		
Y - "-3H" Pep HandyLoc	1"	\$ 19.86		
Z - "-3Q" PEP	1"	\$ 33.94		
2 - "-22" CTS	1"	\$ 17.53		
3 - "-33" PEP	1"	\$ 33.94		
4 - "-44" PVC	1"	\$ 33.94		
5 - "-55" IP	1"	\$ 33.94		

Single Setter (with Saddle Nut)

		1	2	3	4
Options - add or subtract from base setter model		5/8"	5/8" x 3/4"	3/4"	1"
Standard Ball Valve	W	\$ 61.80	\$ 61.80	\$ 61.80	\$ 124.02
Full Port Ball Valve	J	\$ 112.86	\$ 112.86	\$ 112.86	\$ 170.02
Single Check Valve	C	\$ 56.11	\$ 56.11	\$ 56.11	\$ 67.45
Plug Valve	L	\$ 50.86	\$ 50.86	\$ 50.86	\$ 77.98
Dual Check - ASSE	D	\$ 112.97	\$ 112.97	\$ 112.97	\$ 107.14
Dual Check - ASSE - Full Port	M	N/C	N/C	N/C	\$ 196.08
Dual Check - Cascading (* adds x992 to end of model)	D*	\$ 103.09	\$ 103.09	\$ 103.09	\$ 107.15
Meter Swivel Nut	X	N/C	N/C	N/C	N/C
Additional height in 3" increments	X	\$ 6.91	\$ 6.91	\$ 9.53	\$ 11.07

Adder for Horizontal
Brace eye (H) in
Place of Dash (-):
3/4" - \$ 16.62
1" - \$ 22.19

Tandem Setter (less Saddle Nut)

Change model from 760 or 762 series to 761 or 763 series

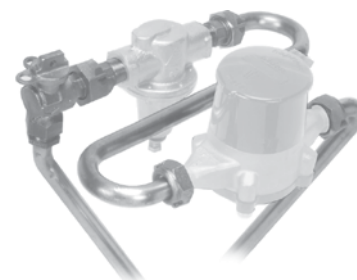
		1	2	3	4
Options - add or subtract from base setter model		5/8"	5/8" x 3/4"	3/4"	1"
Standard Ball Valve	Q	\$ 61.80	\$ 61.80	\$ 61.80	\$ 124.02
Full Port Ball Valve	K	\$ 112.86	\$ 112.86	\$ 112.86	\$ 170.02
Single Check Valve	A	\$ 56.11	\$ 56.11	\$ 56.11	\$ 67.45
Plug Valve	G	\$ 50.86	\$ 50.86	\$ 50.86	\$ 77.98
Dual Check - ASSE	F	\$ 112.97	\$ 112.97	\$ 112.97	\$ 107.14
Dual Check - ASSE - Full Port	P	N/C	N/C	N/C	\$ 196.08
Dual Check - Cascading (* adds x992 to end of model)	F*	\$ 103.09	\$ 103.09	\$ 103.09	\$ 107.15
Meter Swivel Nut	N	N/C	N/C	N/C	N/C
Height adder	7" - 9"	\$ 121.72	\$ 130.05	\$ 158.11	--
	12"	\$ 121.72	\$ 130.05	\$ 159.11	\$ 237.46
	15"	\$ 107.01	\$ 115.29	\$ 144.41	\$ 237.46
	18" - 21"	\$ 110.47	\$ 118.85	\$ 147.95	\$ 237.46
	24"	\$ 110.47	\$ 118.85	\$ 147.95	\$ 249.25

Tandem Setters or resetters include (2) 74619 connections and "S" tube with meter swivel nuts

Contact Factory for the following:

1. Handles for ball valves
2. Test cap on check valves
3. 360° turn valve cap (less check)

- NOTES:
- 12" minimum height for 1" setters with dual check.
 - Vertical bracing eye, wire seal hole and locking are standard.
 - N/C = No additional charge.

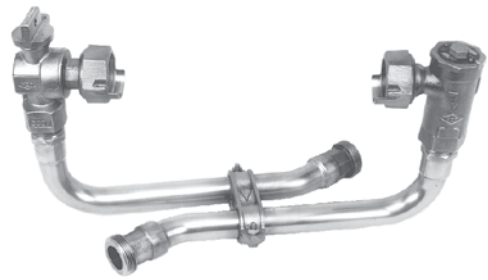


See Page 299 for line drawings of
End Connections and Assemblies.

764 Series

FOR 5/8", 5/8" X 3/4", 3/4", OR 1" METERS

Low Rise Horizontal "F" Style (Flexible)

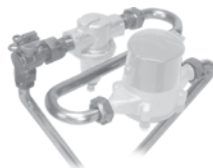


To order 764 Series Model No. **764-204WDPP 33** above means:

764	-	2	04	INLET OUTLET WD	INLET OUTLET PP		33
Series	Style - = Standard	Meter Size 1 = 5/8" 2 = 5/8" x 3/4" 3 = 3/4" 4 = 1"	Meter Height 04 = 4" 06 = 6" 07 = 7" 09 = 9" 10 = 10" Standard 1" Meter 12 = 12" 15 = 15" 18 = 18" 21 = 21" 24 = 24" 27 = 27"	Inlet and Outlet Valves C = 3/4" & 1" Port Angle Single Check Valve D = 3/4" Port Angle Dual Check Valve (ASSE 1024) L = Angle Lockwing Plug Valve J = 3/4" & 1" Port Angle Lockwing Ball Valve M = 1" Port Angle Dual Check Valve (ASSE 1024) W = Standard Port Angle Lockwing Ball Valve X = Flanged Tubing with Meter Nut	Type of connection Inlet and Outlet 5/8", 5/8" x 3/4", 3/4" Meters B = "-3G" PEP McGrip Integral (3/4" or 1") C = Copper Flare Integral (3/4" or 1") D = Double Purpose Union (Flare or FNPT) (3/4") F = FNPT Union (1/2" or 1") G = "G" CTS McGrip Integral (3/4" or 1") H = "H" CTS PE Handyloc Integral (3/4" or 1") J = C903 Integral (3/4" or 1") M = MNPT Union (3/4", 1") P = MNPT Integral (3/4" or 1") Q = "Q" CTS McQuik Integral (3/4" or 1") S = Solder Union (3/4" or 1") T = "T" CTS Integral (3/4" or 1") Y = "-3H" PEP Handyloc Integral (3/4" or 1") Z = "-3Q" PEP McQuik Integral (3/4") 2 = "-22" CTS MacPak Integral (3/4" or 1") 3 = "-33" PEP MacPak Integral (3/4") 4 = "-44" PVC MacPak Integral (3/4") 5 = "-55" IP MacPak Integral (3/4")	Blank Space	Size Inlet & Outlet 1 = 1/2" 3 = 3/4" 4 = 1" 1
			18" & Taller includes Brace Support Bar	For other special meter connections, contact factory.			

For Tandem Series

764 Series Horizontal Tandem Setter



Example 764-207QND 33
Tandem setters are supplied with adapters and "S" tube. Please specify device length and threads when ordering.
12" minimum height on 1" tandem

- A = 3/4" & 1" Port Angle Single Check Valve
 - F = 3/4" Port Angle Dual Check Valve (ASSE 1024)
 - G = Angle Lockwing Plug Valve
 - K = 3/4" & 1" Port Angle Lockwing Ball Valve
 - N = Flanged Tubing with Meter Nut
 - P = 1" Port Angle Dual Check Valve (ASSE 1024)
 - Q = Standard Port Angle Lockwing Ball Valve
 - Z = Brass Elbow
- NOTE:** Unless specified all tandem components have meter nuts without support lip.
- 1" Meters**
- B = "-3G" PEP McGrip Union (1")
 - C = Copper Flare Integral (1")
 - D = Double Purpose Union (Flare or FNPT) 1"
 - G = "G" CTS McGrip Integral (1")
 - H = "H" CTS PE Handyloc Integral (1")
 - I = FNPT Integral (1")
 - J = C903 Integral (1")
 - M = MNPT Union (1" or 1 1/4")
 - P = MNPT Integral (1")
 - Q = "Q" CTS McQuik Integral (1")
 - S = Solder Union (1")
 - T = "T" CTS Integral (1")
 - Y = "-3H" PEP Handyloc Integral (1")
 - Z = "-3Q" PEP McQuik Integral (1")
 - 2 = "-22" CTS MacPak Integral (1")
 - 3 = "-33" PEP MacPak Integral (1")
 - 4 = "-44" PVC MacPak Integral (1")
 - 5 = "-55" IP MacPak Integral (1")

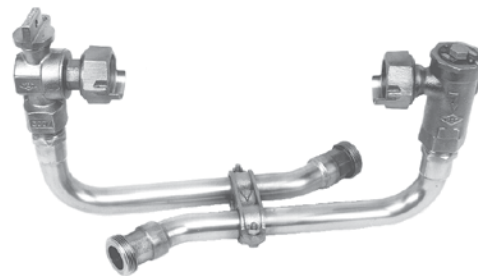
OPTIONS

- Assemblies shipped with two 1/8" EPDM rubber meter gaskets.
- Insert stiffeners are required on all flexible plastic connections.
- **Not all combinations available, contact factory with your requirements.**
- **MOST METER SETTERS ARE MADE TO ORDER AND ARE NOT RETURNABLE.**
- Please verify with the factory that the model number you have configured is available and meets your requirements.

764 Series

FOR 5/8", 5/8" X 3/4", 3/4", OR 1" METERS

Low Rise Horizontal "F" Style (Flexible)



5/8" Meter Size	Carton PCS/WT	Price	5/8" x 3/4" Meter Size	Carton PCS/WT	Price	3/4" Meter Size	Carton PCS/WT	Price	1" Meter Size	Carton PCS/WT	Price
764-104WWPP 33		\$ 253.24	764-204WWPP 33		\$ 257.47	764-304WWPP 33		\$ 286.78	764-406WWPP 44		\$ 460.71

Connection Option Adders (Price per end):

5/8", 5/8" x 3/4", or 3/4" Meters

Option	Size	List	Size	List
B - "-3G" PEP Grip	3/4"	N/C	1"	\$ 12.16
C - Copper flare union	3/4"	\$ 6.05	1"	\$ 18.20
D - Double Purpose (Flare or FNPT)	3/4"	\$ 14.45		
F - FNPT union	1/2"	\$ 29.60	1"	\$ 35.53
G - "G" CTS Grip	3/4"	N/C	1"	\$ 16.23
I - FNPT Integral		N/C		
J - C903	3/4"	\$ 24.42	1"	\$ 33.59
M - MNPT union	3/4"	\$ 14.45	1"	\$ 20.64
P - MNPT (Integral)	3/4"	N/C		
Q - "Q" CTS	3/4"	\$ 11.76	1"	\$ 27.45
S - Solder union	3/4"	\$ 27.80	1"	\$ 35.36
T - "T" CTS	3/4"	\$ 11.76	1"	\$ 27.45
Y - "-3H" Pep HandyLoc	3/4"	\$ 4.36	1"	\$ 18.72
Z - "-3Q" PEP	3/4"	\$ 15.49	1"	\$ 35.36
2 - "-22" CTS	3/4"	\$ 11.76	1"	\$ 27.45
3 - "-33" PEP	3/4"	\$ 15.49	1"	\$ 35.27
4 - "-44" PVC	3/4"	\$ 15.49	1"	\$ 35.27
5 - "-55" IP	3/4"	\$ 15.49	1"	\$ 35.27

1" Meters

Option	Size	List	Size	List
B - "-3G" PEP Grip	1"	\$ 13.25		
C - Copper flare integral	1"	\$ 12.82		
D - Double Purpose (Flare or FNPT)	1"	\$ 27.01		
G - "G" CTS Grip	1"	\$ 17.53		
I - FNPT Integral	1"	N/C		
J - C903	1"	\$ 33.59		
M - MNPT union	1"	\$ 27.01		
P - MNPT (Integral)	1"	N/C		
Q - "Q" CTS	1"	\$ 17.53	1 1/4"	\$ 6.13
S - Solder union	1"	\$ 27.01		
T - "T" CTS	1"	\$ 17.53		
Y - "-3H" Pep HandyLoc	1"	\$ 19.86		
Z - "-3Q" PEP	1"	\$ 33.94		
2 - "-22" CTS	1"	\$ 17.53		
3 - "-33" PEP	1"	\$ 33.94		
4 - "-44" PVC	1"	\$ 33.94		
5 - "-55" IP	1"	\$ 33.94		

Single Setter (with Saddle Nut)

Options - add or subtract from base setter model		1	2	3	4
		5/8"	5/8" x 3/4"	3/4"	1"
Standard Ball Valve	W	\$ 61.80	\$ 61.80	\$ 61.80	\$ 124.02
Full Port Ball Valve	J	\$ 112.86	\$ 112.86	\$ 112.86	\$ 170.02
Single Check Valve	C	\$ 56.11	\$ 56.11	\$ 56.11	\$ 67.45
Plug Valve	L	\$ 50.86	\$ 50.86	\$ 50.86	\$ 77.98
Dual Check - ASSE	D	\$ 112.97	\$ 112.97	\$ 112.97	\$ 107.14
Dual Check - ASSE - Full Port	M	N/C	N/C	N/C	\$ 196.08
Dual Check - Cascading (* adds x992 to end of model)	D*	\$ 103.09	\$ 103.09	\$ 103.09	\$ 107.15
Meter Swivel Nut	X	N/C	N/C	N/C	N/C
Additional height in 3" increments	X	\$ 6.91	\$ 6.91	\$ 9.53	\$ 11.07

Tandem Setter (less Saddle Nut)

For model number, contact factory

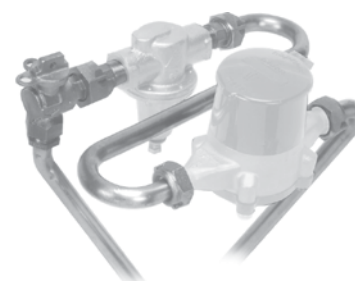
Options - add or subtract from base setter model		1	2	3	4
		5/8"	5/8" x 3/4"	3/4"	1"
Standard Ball Valve	Q	\$ 61.80	\$ 61.80	\$ 61.80	\$ 124.02
Full Port Ball Valve	K	\$ 112.86	\$ 112.86	\$ 112.86	\$ 170.02
Single Check Valve	A	\$ 56.11	\$ 56.11	\$ 56.11	\$ 67.45
Plug Valve	G	\$ 50.86	\$ 50.86	\$ 50.86	\$ 77.98
Dual Check - ASSE	F	\$ 112.97	\$ 112.97	\$ 112.97	\$ 107.14
Dual Check - ASSE - Full Port	P	N/C	N/C	N/C	\$ 196.08
Dual Check - Cascading (* adds x992 to end of model)	F*	\$ 103.09	\$ 103.09	\$ 103.09	\$ 107.15
Meter Swivel Nut	N	N/C	N/C	N/C	N/C
Height adder	7" - 9"	\$ 121.72	\$ 130.05	\$ 158.11	--
	12"	\$ 121.72	\$ 130.05	\$ 159.11	\$ 237.46
	15"	\$ 107.01	\$ 115.29	\$ 144.41	\$ 237.46
	18" - 21"	\$ 110.47	\$ 118.85	\$ 147.95	\$ 237.46
	24"	\$ 110.47	\$ 118.85	\$ 147.95	\$ 249.25

Tandem Setters or resetters include (2) 74619 connections and "S" tube with meter swivel nuts

Contact Factory for the following:

1. Handles for ball valves
2. Test cap on check valves
3. 360° turn valve cap (less check)

- NOTES:
- 12" minimum height for 1" setters with dual check.
 - Horizontal bracing eye, wire seal hole and locking are standard.
 - N/C = No additional charge.

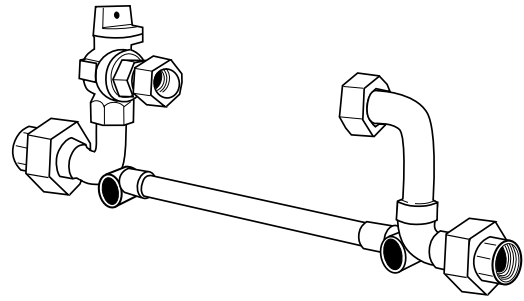


See Page 299 for line drawings of End Connections and Assemblies.

770 Series

FOR 5/8", 5/8" X 3/4", 3/4", OR 1" METERS

Horizontal "L" Style, Multiple Combinations



To order 770 Series Model No. **770-2--QNDD 33** above means:

770	-	2	--	INLET OUTLET QN	INLET OUTLET DD		33
Series	Style -- Standard	Meter Size 1 = 5/8" 2 = 5/8" x 3/4" 3 = 3/4" 4 = 1"	Meter Height	Inlet and Outlet Valves	Type of connection Inlet and Outlet	Blank Space	Size Inlet & Outlet 3 = 3/4" 4 = 1"
				A = 3/4" & 1" Port Angle Single Check Valve F = 3/4" Port Angle Dual Check Valve (ASSE 1024) G = Angle Lockwing Plug Valve K = 3/4" & 1" Port Angle Lockwing Ball Valve N = Flanged Tubing with Meter Nut P = 1" Port Angle Dual Check Valve (ASSE 1024) Q = Standard Port Angle Lockwing Ball Valve Z = Brass Elbow NOTE: Unless specified all tandem components have meter nuts without support lip.	 5/8", 5/8" x 3/4", 3/4" Meters Inlet & Outlet Connections C = Copper Flare Union (3/4" Integral or 1" Union) D = Double Purpose Union (Flare or FNPT) (3/4") F = FNPT Union (1/2" or 1") G = "G" CTS McGrip Integral (3/4") H = "H" CTS PE Handyloc Integral (3/4") M = MNPT Union (3/4", 1") Q = "Q" CTS McQuik Integral (3/4") S = Solder Union (3/4" or 1") T = "T" CTS Integral (3/4" or 1" union) 2 = "-22" CTS MacPak Integral (3/4" or 1" union) 3 = "-33" PEP MacPak Union (3/4") 4 = "-44" PVC MacPak Union (3/4") 5 = "-55" IP MacPak Union (3/4")		
					1" Meters Inlet & Outlet Connections C = Copper Flare Integral (1") D = Double Purpose Union (Flare or FNPT) (1") G = "G" CTS McGrip Integral (1") H = "H" CTS PE Handyloc Integral (1") M = MNPT Union (1" or 1 1/4") P = MNPT Integral Q = "Q" CTS McQuik Integral (1") S = Solder Union T = "T" CTS Integral (1") 2 = "-22" CTS MacPak Integral (1")		

- Standard device for 5/8", 5/8" x 3/4", 3/4" = 4"- 5" Long FNPT x FNPT
- Standard device for 1" = 5"- 6" Long FNPT x FNPT

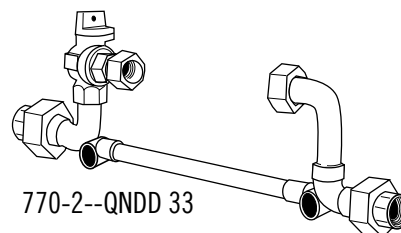
OPTIONS

- Assemblies shipped with two 1/8" EPDM rubber meter gaskets.
- Insert stiffeners are required on all flexible plastic connections.
- **Not all combinations available, contact factory with your requirements.**
- **MOST METER SETTERS ARE MADE TO ORDER AND ARE NOT RETURNABLE.**
- Please verify with the factory that the model number you have configured is available and meets your requirements.

770 Series

FOR 5/8", 5/8" X 3/4", 3/4", OR 1" METERS

Horizontal "L" Style, Multiple Combinations



770-2--QNDD 33

5/8" Meter Size	Carton PCS/WT	Price	5/8" x 3/4" Meter Size	Carton PCS/WT	Price	3/4" Meter Size	Carton PCS/WT	Price	1" Meter Size	Carton PCS/WT	Price
770-1--QNDD 33	6/27	\$ 167.99	770-2--QNDD 33	6/33	\$ 172.91	770-3--QNDD 33		\$ 185.15	770-4--QNDD 44	3/26	\$ 326.44

Inlet Option Adders (Price per end):

5/8", 5/8" x 3/4", or 3/4" Meters

Option	Size	List	Size	List
C - Copper flare 3/4" Integral or 1" union	3/4"	\$ 19.82	1"	\$ 35.65
D - Double Purpose (Flare or FNPT)	3/4"	N/C		
F - FNPT union	1/2"	\$ 10.27	1"	\$ 9.24
G - "G" CTS 3/4" Integral	3/4"	\$ 14.15		
M - MNPT union	3/4"	N/C	1"	\$ 9.24
P - MNPT Integral	3/4"	\$ -5.84		
Q - "Q" CTS	3/4"	\$ 14.15		
S - Solder union	3/4"	N/C	1"	\$ 4.79
T - "T" CTS 3/4" Integral / 1" union	3/4"	\$ 14.15	1"	\$ 31.80
2 - "-22" CTS 3/4" Integral / 1" union	3/4"	\$ 14.15	1"	\$ 31.80
3 - "-33" PEP union	3/4"	\$ 40.85		
4 - "-44" PVC union	3/4"	\$ 40.85		
5 - "-55" IP union	3/4"	\$ 40.85		

Outlet Option Adders (Price per end):

5/8", 5/8" x 3/4", or 3/4" Meters

Option	Size	List	Size	List
C - Copper flare 3/4" Integral	3/4"	\$ 19.82	1"	\$ 35.65
D - Double Purpose (Flare or FNPT)	3/4"	N/C		
F - FNPT union	1/2"	\$ 10.27	1"	\$ 9.24
G - "G" CTS 3/4" Integral	3/4"	\$ 14.15		
M - MNPT union	3/4"	N/C	1"	\$ 9.24
P - MNPT Integral	3/4"	\$ -5.84		
Q - "Q" CTS	3/4"	\$ 14.15		
S - Solder union	3/4"	N/C	1"	\$ 4.79
T - "T" CTS 3/4" Integral / 1" union	3/4"	\$ 14.15	1"	\$ 31.80
2 - "-22" CTS 3/4" Integral / 1" union	3/4"	\$ 14.15	1"	\$ 31.80
3 - "-33" PEP union	3/4"	\$ 40.85		
4 - "-44" PVC union	3/4"	\$ 40.85		
5 - "-55" IP union	3/4"	\$ 40.85		

Inlet Option Adders (Price per end):

1" Meters

Option	Size	List
C - Copper flare Integral	1"	N/C
D - Double Purpose (Flare or FNPT)	1"	N/C
G - "G" CTS Integral	1"	N/C
H - "H" CTS Handylock Integral	1"	\$ 4.36
P - MNPT Integral	1"	N/C
S - Solder union	1"	N/C
2 - "-22" CTS Integral	1"	N/C
T - Integral	1"	N/C
Q - Integral	1"	N/C
M - MNPT union	1"	N/C

Outlet Option Adders (Price per end):

1" Meters

Option	Size	List
C - Copper flare Integral	1"	N/C
D - Double Purpose (Flare or FNPT)	1"	N/C
G - "G" CTS Integral	1"	N/C
H - "H" CTS Handylock Integral	1"	4.36
P - MNPT Integral	1"	N/C
S - Solder union	1"	N/C
2 - "-22" CTS Integral	1"	N/C
T - Integral	1"	N/C
Q - Integral	1"	N/C
M - MNPT union	1"	N/C

Single Setter (less Saddle Nut)

Options - add or subtract from base setter model		1	2	3	4
		5/8"	5/8" x 3/4"	3/4"	1"
Standard Ball Valve	Q	\$ 61.80	\$ 61.80	\$ 61.80	\$ 124.02
Full Port Ball Valve	K	\$ 112.86	\$ 112.86	\$ 112.86	\$ 170.02
Single Check Valve	A	\$ 56.11	\$ 56.11	\$ 56.11	\$ 67.45
Plug Valve	G	\$ 50.86	\$ 50.86	\$ 50.86	\$ 77.98
Dual Check - ASSE	F	\$ 112.97	\$ 112.97	\$ 112.97	\$ 107.14
Dual Check - ASSE - Full Port	P	N/C	N/C	N/C	\$ 196.08
Dual Check - Cascading (* adds x992 to end of model)	F*	\$ 103.09	\$ 103.09	\$ 103.09	\$ 107.15
Meter Swivel Nut	N	N/C	N/C	N/C	N/C

Tandem Setter (less Saddle Nut)

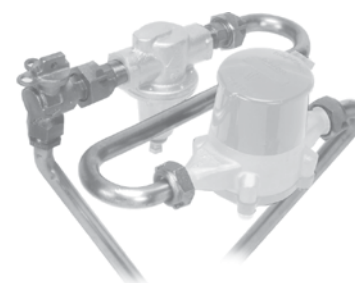
Options - add or subtract from base setter model		1	2	3	4
		5/8"	5/8" x 3/4"	3/4"	1"
Standard Ball Valve	Q	\$ 61.80	\$ 61.80	\$ 61.80	\$ 124.02
Full Port Ball Valve	K	\$ 112.86	\$ 112.86	\$ 112.86	\$ 170.02
Single Check Valve	A	\$ 56.11	\$ 56.11	\$ 56.11	\$ 67.45
Plug Valve	G	\$ 50.86	\$ 50.86	\$ 50.86	\$ 77.98
Dual Check - ASSE	F	\$ 112.97	\$ 112.97	\$ 112.97	\$ 107.14
Dual Check - ASSE - Full Port	P	N/C	N/C	N/C	\$ 196.08
Dual Check - Cascading (* adds x992 to end of model)	F*	\$ 103.09	\$ 103.09	\$ 103.09	\$ 107.15
Meter Swivel Nut	N	N/C	N/C	N/C	N/C
Height adder	7" - 9"	\$ 121.72	\$ 130.05	\$ 158.11	--

Tandem Setters or resetters include (2) 74619 connections and "S" tube with meter swivel nuts

Contact Factory for the following:

- Handles for ball valves
- Test cap on check valves
- 360° turn valve cap (less check)

- NOTES:**
- Horizontal bracing eye, wire seal hole and lockwing are standard.
 - N/C = No additional charge.



See Page 299 for line drawings of End Connections and Assemblies.

770 Series


FOR 5/8", 5/8" X 3/4", OR 3/4" METERS

Adjustable Height

A.Y. McDonald now offers an adjustable height meter setter. Adjustable 5/8", 5/8" x 3/4", or 3/4" meter setters are available with all standard inlet/outlet valves and meter nut options. Inlet and outlet end connections include 3/4" CTS, MNPT Union or Integral, Double Purpose (FNPT/Flare), Flare 1" CTS Union. Height can be field adjusted from 9" to 12" on one model and 18" to 30" on another model. Use adjustable meter setters for setting 5/8", 5/8" x 3/4", or 3/4" meters in meter pits. Allows user to stock one setter for various bury depths. Includes a rigid cross tube to keep the service in alignment. Note: not all valve/end connection combinations available, contact factory with your specific requirements.



To order 770 Series Model No. **770-2 09-13WDQQ 33** above means:

770	-	2	09-13	WD	QQ	33
Series	Style -- Standard	Meter Size 1 = 5/8" 2 = 5/8" x 3/4" 3 = 3/4"	Meter Height Range 09 - 12" 09 - 13" 18 - 30" 18 - 31"	Inlet and Outlet Valves C = 3/4" Port Angle Single Check Valve D = 3/4" Port Angle Dual Check Valve (ASSE 1024) L = Angle Lockwing Plug Valve J = 3/4" Port Angle Lockwing Ball Valve W = Standard Port Angle Lockwing Ball Valve	Type of connection Inlet and Outlet  5/8", 5/8" x 3/4", 3/4" Meters	Size Inlet & Outlet 3 = 3/4" 4 = 1"

Other heights available, contact factory

OPTIONS

- Assemblies shipped with two 1/8" EPDM rubber meter gaskets.
- Insert stiffeners are required on all flexible plastic connections.
- **Not all combinations available, contact factory with your requirements.**
- **MOST METER SETTERS ARE MADE TO ORDER AND ARE NOT RETURNABLE.**
- **Please verify with the factory that the model number you have configured is available and meets your requirements.**

5/8", 5/8" x 3/4", 3/4" Meters

Inlet & Outlet Connections

- C = Copper Flare (3/4" Integral or 1" Union)
- D = Double Purpose Union (Flare or FNPT) (3/4")
- F = FNPT Union (1/2" or 1")
- G = "G" CTS McGrip Integral (3/4")
- H = "H" CTS PE Handyloc Integral (3/4")
- M = MNPT Union (3/4", 1")
- Q = "Q" CTS McQuik Integral (3/4")
- S = Solder Union (3/4" or 1")
- T = "T" CTS Integral (3/4" or 1" union)
- 2 = "-22" CTS MacPak Integral (3/4" or 1" union)
- 3 = "-33" PEP MacPak Union (3/4")
- 4 = "-44" PVC MacPak Union (3/4")
- 5 = "-55" IP MacPak Union (3/4")

Adjustable Height 9" - 12"

5/8" Meter Size	Carton PCS/WT	Price
770-109-12WDDD 33		\$ 348.80

5/8" x 3/4" Meter Size	Carton PCS/WT	Price
770-209-12WDDD 33		\$ 348.80

3/4" Meter Size	Carton PCS/WT	Price
770-309-12WDDD 33		\$ 348.80

Adjustable Height 9" - 13"

5/8" Meter Size	Carton PCS/WT	Price
770-109-13WZQQ 33		\$ 239.80

5/8" x 3/4" Meter Size	Carton PCS/WT	Price
770-209-13WZQQ 33		\$ 239.80

3/4" Meter Size	Carton PCS/WT	Price
770-309-13WZQQ 33		\$ 239.80

Adjustable Height 18" - 30"

5/8" Meter Size	Carton PCS/WT	Price
770-118-30WDQQ 33		\$ 468.70

5/8" x 3/4" Meter Size	Carton PCS/WT	Price
770-218-30WDQQ 33		\$ 468.70

3/4" Meter Size	Carton PCS/WT	Price
770-318-30WDQQ 33		\$ 468.70

Adjustable Height 18" - 31"

5/8" Meter Size	Carton PCS/WT	Price
770-118-31WZQD 33		\$ 354.25

5/8" x 3/4" Meter Size	Carton PCS/WT	Price
770-218-31WZQD 33		\$ 354.25

3/4" Meter Size	Carton PCS/WT	Price
770-318-31WZQD 33		\$ 354.25

770 Series

FOR 5/8", 5/8" X 3/4", OR 3/4" METERS

Adjustable Height

A.Y. McDonald now offers an adjustable height meter setter. Adjustable 5/8", 5/8" x 3/4", or 3/4" meter setters are available with all standard inlet/outlet valves and meter nut options. Inlet and outlet end connections include 3/4" CTS, MNPT Union or Integral, Double Purpose (FNPT/Flare), Flare 1" CTS Union. Height can be field adjusted from 9" to 12" on one model and 18" to 30" on another model. Use adjustable meter setters for setting 5/8", 5/8" x 3/4", or 3/4" meters in meter pits. Allows user to stock one setter for various bury depths. Includes a rigid cross tube to keep the service in alignment. Note: not all valve/end connection combinations available, contact factory with your specific requirements.

Inlet Option Adders (Price per end):

5/8", 5/8" x 3/4", or 3/4" Meters

Option	Size	List	Size	List
C - Copper flare 3/4" Integral or 1" union	3/4"	\$ 19.82	1"	\$ 35.65
D - Double Purpose (Flare or FNPT)	3/4"	N/C		
F - FNPT union	1/2"	\$ 10.27	1"	\$ 9.24
G - "G" CTS Integral	3/4"	\$ 14.15		
M - MNPT union	3/4"	N/C	1"	\$ 9.24
P - MNPT Integral	3/4"	\$ -5.84		
Q - "Q" CTS Integral	3/4"	\$ 14.15		
S - Solder union	3/4"	N/C	1"	\$ 4.79
T - "T" CTS 3/4" Integral or 1" union	3/4"	\$ 14.15	1"	\$ 31.80
2 - "-22" CTS 3/4" Integral or 1" union	3/4"	\$ 14.15	1"	\$ 31.80
3 - "-33" PEP union	3/4"	\$ 40.85		
4 - "-44" PVC union	3/4"	\$ 40.85		
5 - "-55" IP union	3/4"	\$ 40.85		

Outlet Option Adders (Price per end):

5/8", 5/8" x 3/4", or 3/4" Meters

Option	Size	List	Size	List
C - Copper flare 3/4" Integral or 1" union	3/4"	\$ 19.82	1"	\$ 35.65
D - Double Purpose (Flare or FNPT)	3/4"	N/C		
F - FNPT union	1/2"	\$ 10.27	1"	\$ 9.24
G - "G" CTS Integral	3/4"	\$ 14.15		
M - MNPT union	3/4"	N/C	1"	\$ 9.24
P - MNPT Integral	3/4"	\$ -5.84		
Q - "Q" CTS Integral	3/4"	\$ 14.15		
S - Solder union	3/4"	N/C	1"	\$ 4.79
T - "T" CTS 3/4" Integral or 1" union	3/4"	\$ 14.15	1"	\$ 31.80
2 - "-22" CTS 3/4" Integral or 1" union	3/4"	\$ 14.15	1"	\$ 31.80
3 - "-33" PEP union	3/4"	\$ 40.85		
4 - "-44" PVC union	3/4"	\$ 40.85		
5 - "-55" IP union	3/4"	\$ 40.85		

Single Setter (less Saddle Nut)

		1	2	3
Options - add or subtract from base setter model		5/8"	5/8" x 3/4"	3/4"
Standard Ball Valve	Q	\$ 61.80	\$ 61.80	\$ 61.80
Full Port Ball Valve	K	\$ 112.86	\$ 112.86	\$ 112.86
Single Check Valve	A	\$ 56.11	\$ 56.11	\$ 56.11
Plug Valve	G	\$ 50.86	\$ 50.86	\$ 50.86
Dual Check - ASSE	F	\$ 112.97	\$ 112.97	\$ 112.97
Dual Check - ASSE - Full Port	P	N/C	N/C	N/C
Dual Check - Cascading (* adds x992 to end of model)	F*	\$ 103.09	\$ 103.09	\$ 103.09

Tandem Setter (less Saddle Nut)

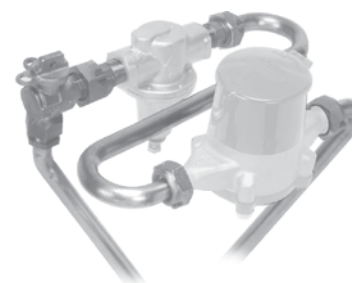
		1	2	3
Options - add or subtract from base setter model		5/8"	5/8" x 3/4"	3/4"
Standard Ball Valve	Q	\$ 61.80	\$ 61.80	\$ 61.80
Full Port Ball Valve	K	\$ 112.86	\$ 112.86	\$ 112.86
Single Check Valve	A	\$ 56.11	\$ 56.11	\$ 56.11
Plug Valve	G	\$ 50.86	\$ 50.86	\$ 50.86
Dual Check - ASSE	F	\$ 112.97	\$ 112.97	\$ 112.97
Dual Check - ASSE - Full Port	P	N/C	N/C	N/C
Dual Check - Cascading (* adds x992 to end of model)	F*	\$ 103.09	\$ 103.09	\$ 103.09

Tandem Setters or resetters include (2) 74619 connections and "S" tube with meter swivel nuts

Contact Factory for the following:

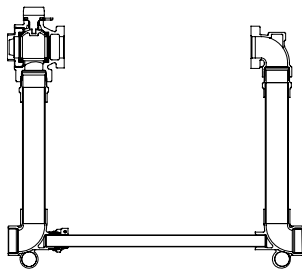
1. Handles for ball valves
2. Test cap on check valves
3. 360° turn valve cap (less check)

- NOTES:**
- Horizontal bracing eye, wire seal hole and locking are standard.
 - N/C = No additional charge.

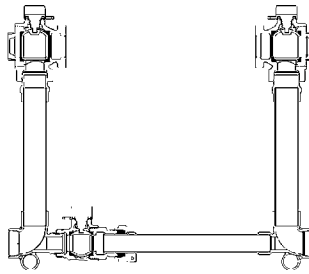


See Page 299 for line drawings of End Connections and Assemblies.

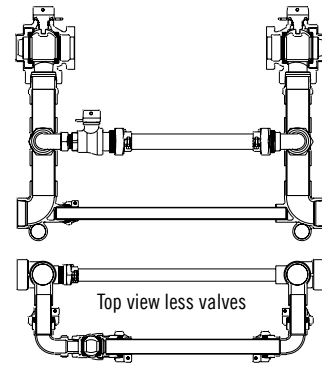
Copper Meter Setters



No Bypass (-)

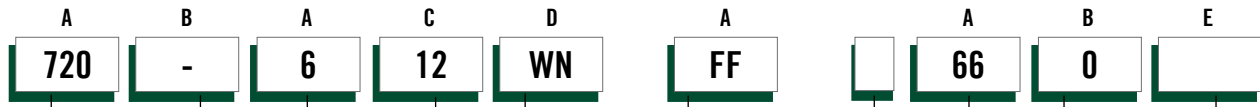


Low Bypass (B)



Offset High Bypass (R)

How To Order: Model number 720-612WNFF 660 means...



Series
718, 720, 721,
722, 723, 724,
725, 726, 730,
731, 732, 739

Tandem Series
750, 751, 752,
753, 754, 755,
756

Meter Size
6 = 1 1/2"
7 = 2"

Meter Height
12 = 12"
15 = 15"
18 = 18"
21 = 21"
24 = 24"
27 = 27"

For additional Heights, Contact the Factory.

Service Inlet and Outlet connection
Blank
F = FNPT Integral
G = "G" CTS McGrip Integral
Q = "Q" CTS McQuik Integral
T = "T" CTS Integral.
2 = "22" CTS MacPak Integral

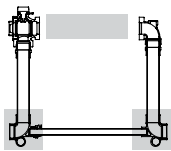
Bypass Size
0 = No bypass
5 = 1 1/4"
6 = 1 1/2"
7 = 2"

Service Inlet & Outlet Size
6 = 1 1/2"
7 = 2"

Specials

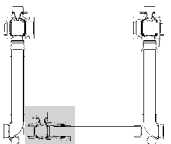
Meter Inlet & Outlet

- D = Full Port Angle Dual Check Valve (ASSE 1024)
- E = Angle Dual Check Valve with 1" tap in cap with 1" NPT plug assembly
- F = Angle Dual Check Valve with 1 1/2" tap in cap with 1 1/2" NPT plug assembly
- G = Angle Dual Check Valve with 2" tap in cap with 2" NPT plug assembly
- N = Flanged elbow
- W = Full Port Angle Lockwing Ball Valve
- K = Telescoping Meter Flange Valve - 2" only



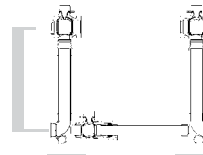
For A - Pick your:

- Series
- Meter Size
- Service Inlet and Outlet Connection
- Service Inlet & Outlet Size
- Tandem Series



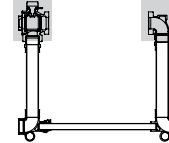
For B - Choose Your By-Pass

- Bypass
- Bypass Size
- Note: Meter Setters with Flanged Elbows are not available with a By-Pass



For C - Choose Your Meter Setter Height

- Meter Height



For D - Choose Your Meter Valves

- Meter Inlet & Outlet

For E - Specials

- Contact Factory

NOTE: 2" meter setters can be easily converted to 1 1/2" meter setters by cutting 4" out of 1" cross tube and/or bypass cross tube. Order 720A76 adapter kit to convert bottom inlet and outlet connections from 2" FNPT to 1 1/2" FNPT. Two bushings are provided with each kit, thread sealant should be used.

- Not all combinations available. Contact factory.

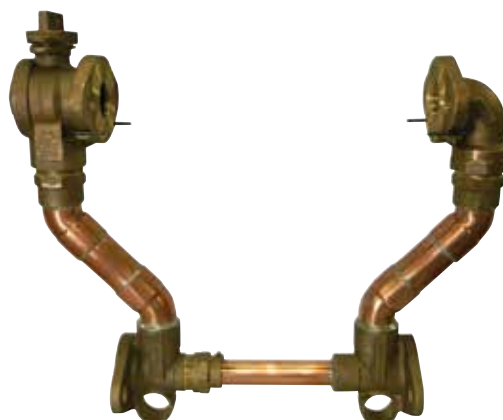
*Insert stiffeners are **required** on all flexible plastic connections.

** NON-STOCK ITEM. CONTACT FACTORY FOR MINIMUM ORDER QTYS & DELIVERY (components to assemble may be stock items) Contact Factory.

718 Series

1 1/2" & 2" METERS

Horizontal Style Resetter



Meter Flange Inlet x Meter Flange Outlet

Model	Meter & Service Size	Carton PCS/WT	Price
718-615WN	1 1/2"		\$ 1,717.68
718-715WN	2"		\$ 1,898.30

ADDER FOR TANDEM SETTER (IF APPLICABLE)

NOTE: FOR 718 SERIES THE 718 BECOMES 758

	1 1/2"	2"
TANDEM SETTER	\$ 753.96	\$ 791.70

NOTE: METER SETTERS WITH FLANGED ELBOWS ARE NOT AVAILABLE WITH A BYPASS

Model Description	Size	List Price Adder	
		1 1/2"	2"
NO BYPASS	N/A	\$ 0.00	\$ 0.00
LOW INLINE BYPASS	1 1/4"	\$ 116.09	\$ 116.09
LOW INLINE BYPASS	1 1/2"	\$ 351.92	\$ 351.92
HIGH OFFSET BYPASS	1 1/4"	\$ 659.84	\$ 691.61
HIGH OFFSET BYPASS	1 1/2"	\$ 895.67	\$ 927.44

Height	List Price Adder	
	1 1/2"	2"
15"	\$ 0.00	\$ 0.00
18"	\$ 43.97	\$ 0.00
21"	\$ 87.94	\$ 54.15
24"	\$ 131.91	\$ 108.30
27"	\$ 175.88	\$ 162.45

Description Meter Inlet & Outlet	List Price Adder	
	1 1/2"	2"
BALL VALVE	\$ 222.09	\$ 227.54
DUAL CHECK	\$ 326.84	\$ 237.67
TELESCOPING METER FLANGE		\$ 41.15

NOTE: ADD FOR EACH VALVE ADDED TO METER SETTER

NOTE: ADD FOR EACH VALVE ADDED TO METER SETTER

720 Series No-Rise

1 1/2" & 2" METERS

Horizontal Style, Multiple Options Inlet/Outlet



To order 720 Series: Model No. **720R600WWFP 666** above means:

720	R	6	00	WW	FP		66	6
Series	Style	Meter Size	Meter Height	Inlet and Outlet Valves	Type of connection Inlet and Outlet	Blank Space	Size Inlet & Outlet	Bypass Size
	R = Offset Right Bypass	6 = 1 1/2" 7 = 2"	00 = No Rise Standard	Series 720 D = Full Port Inline Dual Check Valve (ASSE 1024) W = Full Port Lockwing Ball Valve K = Telescoping Meter Flange Valve - 2" only			6 = 1 1/2" 7 = 2"	6 = 1 1/2" 7 = 2"
				For other special meter connections, contact factory.		F = FNPT Integral G = "G" CTS McGrip Integral P = MNPT Integral Q = "Q" CTS McQuik Integral T = "T" CTS Integral 2 = "-22" CTS MacPak Integral		

FNPT Inlet x FNPT Outlet

Model	Meter & Service Size	Carton PCS/WT	Price
720R600WWFF 666	1 1/2"		\$ 1,073.52
720R700WWFF 777	2"		\$ 1,490.87

Description	Add or Subtract from Base Model Above	
Meter Inlet & Outlet	1 1/2"	2"
BALL VALVE	\$ 222.09	\$ 227.54
DUAL CHECK	\$ 326.84	\$ 237.67
TELESCOPING METER FLANGE		\$ 41.15

NOTE: ADD FOR EACH VALVE ADDED TO METER SETTER

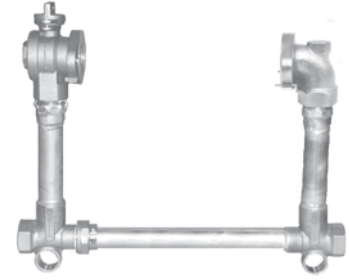
OPTIONS

- For dual check in bypass, contact factory.
- Ball valve available with attached brass handle
- Standard flange to flange lay lengths available -
Spacing - 13.25 = 1 1/2" Meter
- 17.25 = 2" Meter
- Assemblies shipped with two 1/8" EPDM rubber meter gaskets, and meter support brackets (assembly required)
- **Not all combinations available, contact factory with your requirements.**
- **MOST METER SETTERS ARE MADE TO ORDER AND ARE NOT RETURNABLE.**
- **Please verify with the factory that the model number you have configured is available and meets your requirements.**

720 Horizontal Series

1 1/2" & 2" METERS

Horizontal Style, FNPT Inlet and Outlet



To order 720 Series: Model No. **720-609WNFF 660** above means:

720	-	6	09	WN	FF		66	0
Series	Style	Meter Size	Meter Height	Inlet and Outlet Valves	Type of connection Inlet and Outlet	Blank Space	Size Inlet & Outlet	Bypass Size
	- = No Bypass B = Low Bypass *R = High Right Offset Bypass * = minimal height All setter with bypass require outlet valve	6 = 1 1/2" 7 = 2"	09 = 9" *12 = 12" 15 = 15" 18 = 18" 21 = 21" 24 = 24" 27 = 27" Additional heights available, contact factory	D = Full Port Angle Dual Check Valve (ASSE 1024) N = Flanged Elbow W = Full Port Angle Lockwing Ball Valve K = Telescoping Meter Flange Valve - 2" only		F = FNPT Integral	6 = 1 1/2" 7 = 2"	0 = No Bypass 5 = 1 1/4" 6 = 1 1/2" 7 = 2" After 2", contact factory

For other special meter connections, contact factory.

For Tandem Series

750 Series Horizontal Tandem Setter



Example 750-618WNFF 660
Tandem setters are supplied with adapters and "S" tube. Please specify device length and threads when ordering.

FNPT Inlet x FNPT Outlet

Model	Meter & Service Size	Carton PCS/WT	Price
720-612WNFF 660	1 1/2"		\$ 1,223.01
720-712WNFF 770	2"		\$ 1,358.47

ADDER FOR TANDEM SETTER (IF APPLICABLE)

NOTE: FOR 720 TO 726 SERIES REPLACE THE 2 WITH A 5, EXAMPLE 750

	1 1/2"	2"
TANDEM SETTER	\$ 753.96	\$ 791.70

NOTE: METER SETTERS WITH FLANGED ELBOWS ARE NOT AVAILABLE WITH A BYPASS

Model Description	Size	List Price Adder	
		1 1/2"	2"
NO BYPASS	N/A	\$ 0.00	\$ 0.00
LOW INLINE BYPASS	1 1/4"	\$ 116.09	\$ 116.09
LOW INLINE BYPASS	1 1/2"	\$ 351.92	\$ 351.92
HIGH OFFSET BYPASS	1 1/4"	\$ 659.84	\$ 691.61
HIGH OFFSET BYPASS	1 1/2"	\$ 895.67	\$ 927.44

Height	List Price Adder	
	1 1/2"	2"
12"	\$ 0.00	\$ 0.00
15"	\$ 39.16	\$ 54.23
18"	\$ 78.33	\$ 108.46
21"	\$ 117.49	\$ 162.68
24"	\$ 156.65	\$ 216.91
27"	\$ 195.82	\$ 271.14

Description Meter Inlet & Outlet	List Price Adder	
	1 1/2"	2"
BALL VALVE	\$ 222.09	\$ 227.54
DUAL CHECK	\$ 326.84	\$ 237.67
TELESCOPING METER FLANGE		\$ 41.15

NOTE: ADD FOR EACH VALVE ADDED TO METER SETTER

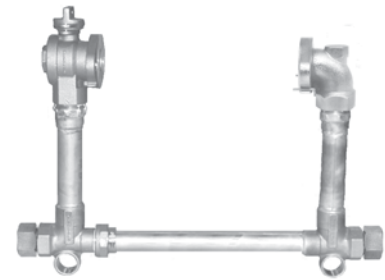
OPTIONS

- Bypass available with inline or accessible or angle dual check - Adder \$ 308.46
- Angle dual check available with 1", 1 1/2" or 2" tap in cap - with or without plug - Adder: without plug \$ 19.84, with plug \$ 73.02
- Ball valve available with attached brass handle - Adder \$ 17.24
- Special flange to flange lay lengths available
- Assemblies shipped with two 1/8" EPDM rubber meter gaskets, and meter support brackets (assembly required)
- **Not all combinations available, contact factory with your requirements.** CONTACT THE FACTORY FOR ADDITIONAL HEIGHTS
- **MOST METER SETTERS ARE MADE TO ORDER AND ARE NOT RETURNABLE.**
- Please verify with the factory that the model number you have configured is available and meets your requirements.

721 Horizontal Series

1 1/2" & 2" METERS

Horizontal Style, Integral G, Q, & T CTS Compression Inlet and Outlet

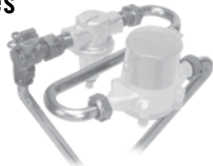


To order 721 Series: Model No. **721-609WNTT 660** above means:

721	-	6	09	WN	TT		66	0
Series	Style	Meter Size	Meter Height	Inlet and Outlet Valves	Type of connection Inlet and Outlet	Blank Space	Size Inlet & Outlet	Bypass Size
	- = No Bypass B = Low Bypass *R = High Right Offset Bypass * = minimal height All setter with bypass require outlet valve	6 = 1 1/2" 7 = 2"	09 = 9" *12 = 12" 15 = 15" 18 = 18" 21 = 21" 24 = 24" 27 = 27" Additional heights available, contact factory	D = Full Port Angle Dual Check Valve (ASSE 1024) N = Flanged Elbow W = Full Port Angle Lockwing Ball Valve K = Telescoping Meter Flange Valve - 2" only	G = "G" CTS McGrip Integral Q = "Q" CTS McQuik Integral T = "T" CTS Integral		6 = 1 1/2" 7 = 2"	0 = No Bypass 5 = 1 1/4" 6 = 1 1/2" 7 = 2" 2" - contact factory

For other special meter connections, contact factory.

For Tandem Series



751 Series Horizontal Tandem Setter

Example 751-618WNTT 660
Tandem setters are supplied with adapters and "S" tube. Please specify device length and threads when ordering.

Compression Inlet x Integral Compression Outlet

Model	Meter & Service Size	Carton PCS/WT	Price
721-612WNGG 660	1 1/2"		\$ 1,258.49
721-712WNGG 770	2"		\$ 1,523.69
721-612WNQG 660	1 1/2"		\$ 1,258.49
721-712WNQG 770	2"		\$ 1,523.69
721-612WNTT 660	1 1/2"		\$ 1,258.49
721-712WNTT 770	2"		\$ 1,523.69

ADDER FOR TANDEM SETTER (IF APPLICABLE)

NOTE: FOR 720 TO 726 SERIES REPLACE THE 2 WITH A 5, EXAMPLE 750
1 1/2" 2"
TANDEM SETTER\$ 753.96 \$ 791.70

NOTE: METER SETTERS WITH FLANGED ELBOWS ARE NOT AVAILABLE WITH A BYPASS

Model Description	Size	List Price Adder 1 1/2"	List Price Adder 2"
NO BYPASS	N/A	\$ 0.00	\$ 0.00
LOW INLINE BYPASS	1 1/4"	\$ 116.09	\$ 116.09
LOW INLINE BYPASS	1 1/2"	*\$ 351.92	\$ 351.92
LOW INLINE BYPASS	2"		*\$ 351.92
HIGH OFFSET BYPASS	1 1/4"	\$ 659.84	\$ 691.61
HIGH OFFSET BYPASS	1 1/2"	\$ 895.67	\$ 927.44

* No brace eyes

Height	List Price Adder 1 1/2"	List Price Adder 2"
12"	\$ 0.00	\$ 0.00
15"	\$ 39.16	\$ 54.23
18"	\$ 78.33	\$ 108.46
21"	\$ 117.49	\$ 162.68
24"	\$ 156.65	\$ 216.91
27"	\$ 195.82	\$ 271.14

Description Meter Inlet & Outlet	List Price Adder 1 1/2"	List Price Adder 2"
BALL VALVE	\$ 222.09	\$ 227.54
DUAL CHECK	\$ 326.84	\$ 237.67
TELESCOPING METER FLANGE		\$ 41.15

NOTE: ADD FOR EACH VALVE ADDED TO METER SETTER

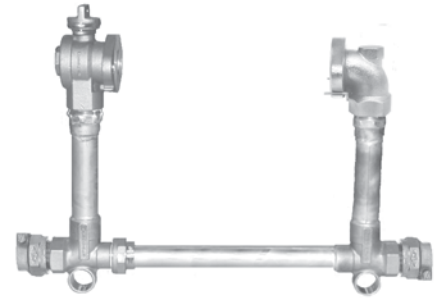
OPTIONS

- Bypass available with inline or accessible or angle dual check - Adder \$ 308.46
- Angle dual check available with 1", 1 1/2" or 2" tap in cap - with or without plug - Adder: without plug \$ 19.84, with plug \$ 73.02
- Ball valve available with attached brass handle - Adder \$ 17.24
- Special flange to flange lay lengths available
- Assemblies shipped with two 1/8" EPDM rubber meter gaskets, and meter support brackets (assembly required)
- **Not all combinations available, contact factory with your requirements.** CONTACT THE FACTORY FOR ADDITIONAL HEIGHTS
- **MOST METER SETTERS ARE MADE TO ORDER AND ARE NOT RETURNABLE.**
- Please verify with the factory that the model number you have configured is available and meets your requirements.

722 Horizontal Series

1 1/2" & 2" METERS

Horizontal Style, Integral -22 CTS Compression Inlet and Outlet



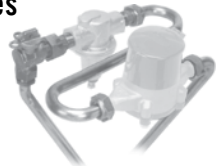
To order 722 Series: Model No. **722-609WN22 660** above means:

722		6	09	WN	22		66	0
Series	Style	Meter Size	Meter Height	Inlet and Outlet Valves	Type of connection Inlet and Outlet	Blank Space	Size Inlet & Outlet	Bypass Size
	- = No Bypass B = Low Bypass *R = High Right Offset Bypass * = minimal height All setter with bypass require outlet valve	6 = 1 1/2" 7 = 2"	09 = 9" *12 = 12" 15 = 15" 18 = 18" 21 = 21" 24 = 24" 27 = 27" Additional heights available, contact factory	D = Full Port Angle Dual Check Valve (ASSE 1024) N = Flanged Elbow W = Full Port Angle Lockwing Ball Valve K = Telescoping Meter Flange Valve - 2" only			6 = 1 1/2" 7 = 2"	0 = No Bypass 5 = 1 1/4" 6 = 1 1/2" 7 = 2" 2" - contact factory

For other special meter connections, contact factory.

For Tandem Series

752 Series Horizontal Tandem Setter



Example 752-618WN22 660
Tandem setters are supplied with adapters and "S" tube. Please specify device length and threads when ordering.

Mac Pak Compression Inlet x Mac Pak Compression Outlet

Model	Meter & Service Size	Carton PCS/WT	Price
722-612WN22 660	1 1/2"		\$ 1,258.49
722-712WN22 770	2"		\$ 1,523.69

ADDER FOR TANDEM SETTER (IF APPLICABLE)

NOTE: FOR 720 TO 726 SERIES REPLACE THE 2 WITH A 5, EXAMPLE 750

	1 1/2"	2"
TANDEM SETTER	\$ 753.96	\$ 791.70

NOTE: METER SETTERS WITH FLANGED ELBOWS ARE NOT AVAILABLE WITH A BYPASS

Model Description	Size	List Price Adder		Height	List Price Adder		Description Meter Inlet & Outlet	List Price Adder	
		1 1/2"	2"		1 1/2"	2"		1 1/2"	2"
NO BYPASS	N/A	\$ 0.00	\$ 0.00	12"	\$ 0.00	\$ 0.00	BALL VALVE	\$ 222.09	\$ 227.54
LOW INLINE BYPASS	1 1/4"	\$ 116.09	\$ 116.09	15"	\$ 39.16	\$ 54.23	DUAL CHECK	\$ 326.84	\$ 237.67
LOW INLINE BYPASS	1 1/2"	*\$ 351.92	\$ 351.92	18"	\$ 78.33	\$ 108.46	TELESCOPING METER FLANGE		\$ 41.15
LOW INLINE BYPASS	2"		*\$ 351.92	21"	\$ 117.49	\$ 162.68			
HIGH OFFSET BYPASS	1 1/4"	\$ 659.84	\$ 691.61	24"	\$ 156.65	\$ 216.91			
HIGH OFFSET BYPASS	1 1/2"	\$ 895.67	\$ 927.44	27"	\$ 195.82	\$ 271.14			

* No brace eyes

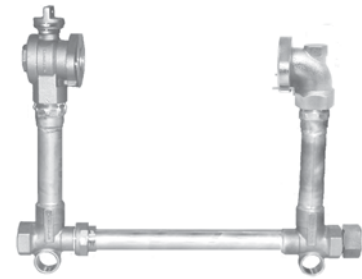
OPTIONS

- Bypass available with inline or accessible or angle dual check - Adder \$ 308.46
- Angle dual check available with 1", 1 1/2" or 2" tap in cap - with or without plug - Adder: without plug \$ 19.84, with plug \$ 73.02
- Ball valve available with attached brass handle - Adder \$ 17.24
- Special flange to flange lay lengths available
- Assemblies shipped with two 1/8" EPDM rubber meter gaskets, and meter support brackets (assembly required)
- **Not all combinations available, contact factory with your requirements.** CONTACT THE FACTORY FOR ADDITIONAL HEIGHTS
- **MOST METER SETTERS ARE MADE TO ORDER AND ARE NOT RETURNABLE.**
- Please verify with the factory that the model number you have configured is available and meets your requirements.

723 Horizontal Series

1 1/2" & 2" METERS

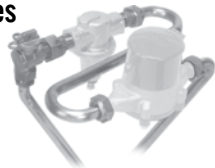
Horizontal Style, FNPT Inlet and Integral G, Q, & T CTS Compression Outlet



To order 723 Series: Model No. **723-609WNFT 660** above means:

723		6	09	WN	FT		66	0
Series	Style	Meter Size	Meter Height	Inlet and Outlet Valves	Type of connection Inlet and Outlet	Blank Space	Size Inlet & Outlet	Bypass Size
	- = No Bypass B = Low Bypass *R = High Right Offset Bypass * = minimal height All setter with bypass require outlet valve	6 = 1 1/2" 7 = 2"	09 = 9" *12 = 12" 15 = 15" 18 = 18" 21 = 21" 24 = 24" 27 = 27" Additional heights available, contact factory	D = Full Port Angle Dual Check Valve (ASSE 1024) N = Flanged Elbow W = Full Port Angle Lockwing Ball Valve K = Telescoping Meter Flange Valve - 2" only			6 = 1 1/2" 7 = 2"	0 = No Bypass 5 = 1 1/4" 6 = 1 1/2" 7 = 2" 2" - contact factory
				For other special meter connections, contact factory.			Inlet Connections F = FNPT Integral	Outlet Connections G = "G" CTS McGrip Integral Q = "Q" CTS McQuik Integral T = "T" CTS Integral

For Tandem Series



753 Series Horizontal Tandem Setter

Example 753-618WNFT 660
Tandem setters are supplied with adapters and "S" tube. Please specify device length and threads when ordering.

FNPT Inlet x Integral Compression Outlet

Model	Meter & Service Size	Carton PCS/WT	Price
723-612WNFG 660	1 1/2"		\$ 1,220.09
723-712WNFG 770	2"		\$ 1,442.10
723-612WNFQ 660	1 1/2"		\$ 1,220.09
723-712WNFQ 770	2"		\$ 1,442.10
723-612WNFT 660	1 1/2"		\$ 1,220.09
723-712WNFT 770	2"		\$ 1,442.10

ADDER FOR TANDEM SETTER (IF APPLICABLE)

NOTE: FOR 720 TO 726 SERIES REPLACE THE 2 WITH A 5, EXAMPLE 750
1 1/2" 2"
TANDEM SETTER\$ 753.96 \$ 791.70

NOTE: METER SETTERS WITH FLANGED ELBOWS ARE NOT AVAILABLE WITH A BYPASS

Model Description	Size	List Price Adder		Height	List Price Adder		Description Meter Inlet & Outlet	List Price Adder	
		1 1/2"	2"		1 1/2"	2"		1 1/2"	2"
NO BYPASS	N/A	\$ 0.00	\$ 0.00	12"	\$ 0.00	\$ 0.00	BALL VALVE	\$ 222.09	\$ 227.54
LOW INLINE BYPASS	1 1/4"	\$ 116.09	\$ 116.09	15"	\$ 39.16	\$ 54.23	DUAL CHECK	\$ 326.84	\$ 237.67
LOW INLINE BYPASS	1 1/2"	*\$ 351.92	\$ 351.92	18"	\$ 78.33	\$ 108.46	TELESCOPING METER FLANGE		\$ 41.15
LOW INLINE BYPASS	2"		*\$ 351.92	21"	\$ 117.49	\$ 162.68			
HIGH OFFSET BYPASS	1 1/4"	\$ 659.84	\$ 691.61	24"	\$ 156.65	\$ 216.91			
HIGH OFFSET BYPASS	1 1/2"	\$ 895.67	\$ 927.44	27"	\$ 195.82	\$ 271.14			

* No brace eyes

OPTIONS

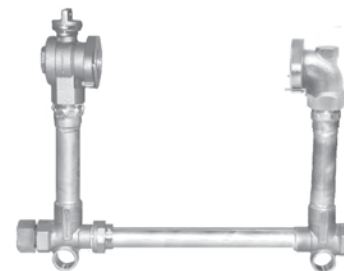
- Bypass available with inline or accessible or angle dual check - Adder \$ 308.46
- Angle dual check available with 1", 1 1/2" or 2" tap in cap - with or without plug - Adder: without plug \$ 19.84, with plug \$ 73.02
- Ball valve available with attached brass handle - Adder \$ 17.24
- Special flange to flange lay lengths available
- Assemblies shipped with two 1/8" EPDM rubber meter gaskets, and meter support brackets (assembly required)
- **Not all combinations available, contact factory with your requirements.** CONTACT THE FACTORY FOR ADDITIONAL HEIGHTS
- **MOST METER SETTERS ARE MADE TO ORDER AND ARE NOT RETURNABLE.**
- Please verify with the factory that the model number you have configured is available and meets your requirements.

Copper Meter Setters

724 Horizontal Series

1 1/2" & 2" METERS

Horizontal Style, Integral G, Q, & T CTS Compression Inlet and FNPT Outlet



To order 724 Series: Model No. **724-609WNTF 660** above means:

724		6	09	WN	TF		66	0
Series	Style	Meter Size	Meter Height	Inlet and Outlet Valves	Type of connection Inlet and Outlet	Blank Space	Size Inlet & Outlet	Bypass Size
	- = No Bypass B = Low Bypass *R = High Right Offset Bypass * = minimal height All setter with bypass require outlet valve	6 = 1 1/2" 7 = 2"	09 = 9" *12 = 12" 15 = 15" 18 = 18" 21 = 21" 24 = 24" 27 = 27" Additional heights available, contact factory	D = Full Port Angle Dual Check Valve (ASSE 1024) N = Flanged Elbow W = Full Port Angle Lockwing Ball Valve K = Telescoping Meter Flange Valve - 2" only			6 = 1 1/2" 7 = 2"	0 = No Bypass 5 = 1 1/4" 6 = 1 1/2" 7 = 2" 2" - contact factory

Inlet Connections
G = "G" CTS McGrip Integral
Q = "Q" CTS McQuik Integral
T = "T" CTS Integral

Outlet Connections
F = FNPT Integral

For other special meter connections, contact factory.

For Tandem Series

754 Series Horizontal Tandem Setter



Example 754-618WNTF 660
 Tandem setters are supplied with adapters and "S" tube. Please specify device length and threads when ordering.

Integral Compression Inlet x FNPT Outlet

Model	Meter & Service Size	Carton PCS/WT	Price
724-612WNGF 660	1 1/2"		\$ 1,220.09
724-712WNGF 770	2"		\$ 1,442.10
724-612WNQF 660	1 1/2"		\$ 1,220.09
724-712WNQF 770	2"		\$ 1,442.10
724-612WNTF 660	1 1/2"		\$ 1,220.09
724-712WNTF 770	2"		\$ 1,442.10

ADDER FOR TANDEM SETTER (IF APPLICABLE)

NOTE: FOR 720 TO 726 SERIES REPLACE THE 2 WITH A 5, EXAMPLE 750

	1 1/2"	2"
TANDEM SETTER	\$ 753.96	\$ 791.70

NOTE: METER SETTERS WITH FLANGED ELBOWS ARE NOT AVAILABLE WITH A BYPASS

Model Description	Size	List Price Adder		Height	List Price Adder		Description Meter Inlet & Outlet	List Price Adder	
		1 1/2"	2"		1 1/2"	2"		1 1/2"	2"
NO BYPASS	N/A	\$ 0.00	\$ 0.00	12"	\$ 0.00	\$ 0.00	BALL VALVE	\$ 222.09	\$ 227.54
LOW INLINE BYPASS	1 1/4"	\$ 116.09	\$ 116.09	15"	\$ 39.16	\$ 54.23	DUAL CHECK	\$ 326.84	\$ 237.67
LOW INLINE BYPASS	1 1/2"	*\$ 351.92	\$ 351.92	18"	\$ 78.33	\$ 108.46	TELESCOPING METER		\$ 41.15
LOW INLINE BYPASS	2"		*\$ 351.92	21"	\$ 117.49	\$ 162.68	FLANGE		
HIGH OFFSET BYPASS	1 1/4"	\$ 659.84	\$ 691.61	24"	\$ 156.65	\$ 216.91			
HIGH OFFSET BYPASS	1 1/2"	\$ 895.67	\$ 927.44	27"	\$ 195.82	\$ 271.14			

* No brace eyes

NOTE: ADD FOR EACH VALVE ADDED TO METER SETTER

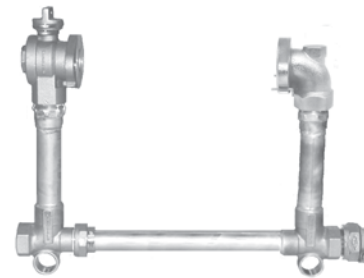
OPTIONS

- Bypass available with inline or accessible or angle dual check - Adder \$ 308.46
- Angle dual check available with 1", 1 1/2" or 2" tap in cap - with or without plug - Adder: without plug \$ 19.84, with plug \$ 73.02
- Ball valve available with attached brass handle - Adder \$ 17.24
- Special flange to flange lay lengths available
- Assemblies shipped with two 1/8" EPDM rubber meter gaskets, and meter support brackets (assembly required)
- **Not all combinations available, contact factory with your requirements.** CONTACT THE FACTORY FOR ADDITIONAL HEIGHTS
- **MOST METER SETTERS ARE MADE TO ORDER AND ARE NOT RETURNABLE.**
- Please verify with the factory that the model number you have configured is available and meets your requirements.

725 Horizontal Series

1 1/2" & 2" METERS

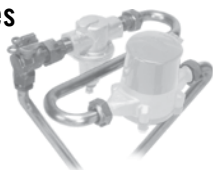
Horizontal Style, FNPT Inlet and Integral -22 CTS Compression Outlet



To order 725 Series: Model No. **725-609WNF2 660** above means:

725		6	09	WN	F2		66	0
Series	Style	Meter Size	Meter Height	Inlet and Outlet Valves	Type of connection Inlet and Outlet	Blank Space	Size Inlet & Outlet	Bypass Size
	- = No Bypass B = Low Bypass *R = High Right Offset Bypass * = minimal height All setter with bypass require outlet valve	6 = 1 1/2" 7 = 2"	09 = 9" *12 = 12" 15 = 15" 18 = 18" 21 = 21" 24 = 24" 27 = 27" Additional heights available, contact factory	D = Full Port Angle Dual Check Valve (ASSE 1024) N = Flanged Elbow W = Full Port Angle Lockwing Ball Valve K = Telescoping Meter Flange Valve - 2" only			6 = 1 1/2" 7 = 2"	0 = No Bypass 5 = 1 1/4" 6 = 1 1/2" 7 = 2" 2" - contact factory
				For other special meter connections, contact factory.		Inlet Connections F = FNPT Integral		Outlet Connections 2 = "-22" CTS MacPak Integral

For Tandem Series



755 Series Horizontal Tandem Setter

Example 755-618WNF2 660
Tandem setters are supplied with adapters and "S" tube. Please specify device length and threads when ordering.

FNPT Inlet x Mac Pak Compression Outlet

Model	Meter & Service Size	Carton PCS/WT	Price
725-612WNF2 660	1 1/2"		\$ 1,220.09
725-712WNF2 770	2"		\$ 1,442.10

ADDER FOR TANDEM SETTER (IF APPLICABLE)

NOTE: FOR 720 TO 726 SERIES REPLACE THE 2 WITH A 5, EXAMPLE 750
1 1/2" 2"
TANDEM SETTER\$ 753.96 \$ 791.70

NOTE: METER SETTERS WITH FLANGED ELBOWS ARE NOT AVAILABLE WITH A BYPASS

Model Description	Size	List Price Adder		Height	List Price Adder		Description Meter Inlet & Outlet	List Price Adder	
		1 1/2"	2"		1 1/2"	2"		1 1/2"	2"
NO BYPASS	N/A	\$ 0.00	\$ 0.00	12"	\$ 0.00	\$ 0.00	BALL VALVE	\$ 222.09	\$ 227.54
LOW INLINE BYPASS	1 1/4"	\$ 116.09	\$ 116.09	15"	\$ 39.16	\$ 54.23	DUAL CHECK	\$ 326.84	\$ 237.67
LOW INLINE BYPASS	1 1/2"	*\$ 351.92	\$ 351.92	18"	\$ 78.33	\$ 108.46	TELESCOPING METER FLANGE		\$ 41.15
LOW INLINE BYPASS	2"		*\$ 351.92	21"	\$ 117.49	\$ 162.68	NOTE: ADD FOR EACH VALVE ADDED TO METER SETTER		
HIGH OFFSET BYPASS	1 1/4"	\$ 659.84	\$ 691.61	24"	\$ 156.65	\$ 216.91			
HIGH OFFSET BYPASS	1 1/2"	\$ 895.67	\$ 927.44	27"	\$ 195.82	\$ 271.14			

* No brace eyes

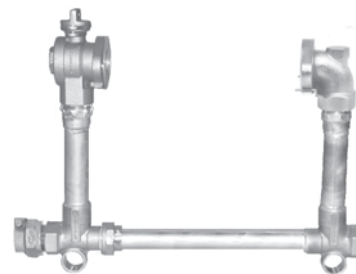
OPTIONS

- Bypass available with inline or accessible or angle dual check - Adder \$ 308.46
- Angle dual check available with 1", 1 1/2" or 2" tap in cap - with or without plug - Adder: without plug \$ 19.84, with plug \$ 73.02
- Ball valve available with attached brass handle - Adder \$ 17.24
- Special flange to flange lay lengths available
- Assemblies shipped with two 1/8" EPDM rubber meter gaskets, and meter support brackets (assembly required)
- **Not all combinations available, contact factory with your requirements.** CONTACT THE FACTORY FOR ADDITIONAL HEIGHTS
- **MOST METER SETTERS ARE MADE TO ORDER AND ARE NOT RETURNABLE.**
- Please verify with the factory that the model number you have configured is available and meets your requirements.

726 Series

1 1/2" & 2" METERS

Horizontal Style, Integral -22 CTS Compression Inlet and FNPT Outlet

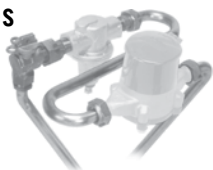


To order 726 Series: Model No. **726-609WN2F 660** above means:

726		6	09	WN	2F		66	0
Series	Style	Meter Size	Meter Height	Inlet and Outlet Valves	Type of connection Inlet and Outlet	Blank Space	Size Inlet & Outlet	Bypass Size
	- = No Bypass B = Low Bypass *R = High Right Offset Bypass * = minimal height All setter with bypass require outlet valve	6 = 1 1/2" 7 = 2"	09 = 9" *12 = 12" 15 = 15" 18 = 18" 21 = 21" 24 = 24" 27 = 27" Additional heights available, contact factory	D = Full Port Angle Dual Check Valve (ASSE 1024) N = Flanged Elbow W = Full Port Angle Lockwing Ball Valve K = Telescoping Meter Flange Valve - 2" only			6 = 1 1/2" 7 = 2"	0 = No Bypass 5 = 1 1/4" 6 = 1 1/2" 7 = 2" 2" - contact factory
				For other special meter connections, contact factory.			Inlet Connections 2 = "-22" CTS MacPak Integral	Outlet Connections F = FNPT Integral

For Tandem Series

756 Series Horizontal Tandem Setter



Example 756-618WN2F 660
Tandem setters are supplied with adapters and "S" tube. Please specify device length and threads when ordering.

FNPT Inlet x Mac Pak Compression Outlet

Model	Meter & Service Size	Carton PCS/WT	Price
726-612WN2F 660	1 1/2"		\$1,220.09
726-712WN2F 770	2"		\$1,442.10

ADDER FOR TANDEM SETTER (IF APPLICABLE)

NOTE: FOR 720 TO 726 SERIES REPLACE THE 2 WITH A 5, EXAMPLE 750

	1 1/2"	2"
TANDEM SETTER	\$ 753.96	\$ 791.70

NOTE: METER SETTERS WITH FLANGED ELBOWS ARE NOT AVAILABLE WITH A BYPASS

Model Description	Size	List Price Adder		Height	List Price Adder		Description Meter Inlet & Outlet	List Price Adder	
		1 1/2"	2"		1 1/2"	2"		1 1/2"	2"
NO BYPASS	N/A	\$ 0.00	\$ 0.00	12"	\$ 0.00	\$ 0.00	BALL VALVE	\$ 222.09	\$ 227.54
LOW INLINE BYPASS	1 1/4"	\$ 116.09	\$ 116.09	15"	\$ 39.16	\$ 54.23	DUAL CHECK	\$ 326.84	\$ 237.67
LOW INLINE BYPASS	1 1/2"	*\$ 351.92	\$ 351.92	18"	\$ 78.33	\$ 108.46	TELESCOPING METER FLANGE		\$ 41.15
LOW INLINE BYPASS	2"		*\$ 351.92	21"	\$ 117.49	\$ 162.68	<i>NOTE: ADD FOR EACH VALVE ADDED TO METER SETTER</i>		
HIGH OFFSET BYPASS	1 1/4"	\$ 659.84	\$ 691.61	24"	\$ 156.65	\$ 216.91			
HIGH OFFSET BYPASS	1 1/2"	\$ 895.67	\$ 927.44	27"	\$ 195.82	\$ 271.14			

* No brace eyes

OPTIONS

- Bypass available with inline or accessible or angle dual check - Adder \$ 308.46
- Angle dual check available with 1", 1 1/2" or 2" tap in cap - with or without plug - Adder: without plug \$ 19.84, with plug \$ 73.02
- Ball valve available with attached brass handle - Adder \$ 17.24
- Special flange to flange lay lengths available
- Assemblies shipped with two 1/8" EPDM rubber meter gaskets, and meter support brackets (assembly required)
- **Not all combinations available, contact factory with your requirements.** *CONTACT THE FACTORY FOR ADDITIONAL HEIGHTS*
- **MOST METER SETTERS ARE MADE TO ORDER AND ARE NOT RETURNABLE.**
- Please verify with the factory that the model number you have configured is available and meets your requirements.

730 Series

1 1/2" & 2" METERS

Vertical Style, FNPT Inlet and Outlet



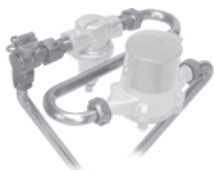
To order 730 Series: Model No. **730-608WNFF 660** above means:

730		6	08	WN	FF		66	0
Series	Style	Meter Size	Meter Height	Inlet and Outlet Valves	Type of connection Inlet and Outlet	Blank Space	Size Inlet & Outlet	Bypass Size
	- = No Bypass B = Low Bypass *R = High Right Offset Bypass * = minimal height All setter with bypass require outlet valve	6 = 1 1/2" 7 = 2"	08 = 8" *12 = 12" 15 = 15" 18 = 18" 21 = 21" 24 = 24" 27 = 27" Additional heights available, contact factory	D = Full Port Angle Dual Check Valve (ASSE 1024) N = Flanged Elbow W = Full Port Angle Lockwing Ball Valve K = Telescoping Meter Flange Valve - 2" only			6 = 1 1/2" 7 = 2"	0 = No Bypass 5 = 1 1/4" 6 = 1 1/2" 7 = 2" 2" - contact factory

F = FNPT Integral

For other special meter connections, contact factory.

For Tandem Series Contact Factory



Tandem setters are supplied with adapters and "S" tube. Please specify device length and threads when ordering.

FNPT Inlet x FNPT Outlet

Model	Meter & Service Size	Carton PCS/WT	Price
730-612WNFF 660	1 1/2"		\$ 1,181.71
730-712WNFF 770	2"		\$ 1,358.47

ADDER FOR TANDEM SETTER (IF APPLICABLE)

NOTE: FOR 730 TO 732 SERIES AND 739 SERIES CONTACT THE FACTORY

	1 1/2"	2"
TANDEM SETTER	\$ 753.96	\$ 791.70

NOTE: METER SETTERS WITH FLANGED ELBOWS ARE NOT AVAILABLE WITH A BYPASS

Model Description	Size	List Price Adder	
		1 1/2"	2"
NO BYPASS	N/A	\$ 0.00	\$ 0.00
LOW INLINE BYPASS	1 1/4"	\$ 116.09	\$ 116.09
LOW INLINE BYPASS	1 1/2"	*\$ 351.92	\$ 351.92
LOW INLINE BYPASS	2"		*\$ 351.92
HIGH OFFSET BYPASS	1 1/4"	\$ 659.84	\$ 691.61
HIGH OFFSET BYPASS	1 1/2"	\$ 895.67	\$ 927.44

* No brace eyes

Height	List Price Adder	
	1 1/2"	2"
12"	\$ 0.00	\$ 0.00
15"	\$ 39.16	\$ 54.23
18"	\$ 78.33	\$ 108.46
21"	\$ 117.49	\$ 162.68
24"	\$ 156.65	\$ 216.91
27"	\$ 195.82	\$ 271.14

Description Meter Inlet & Outlet	List Price Adder	
	1 1/2"	2"
BALL VALVE	\$ 222.09	\$ 227.54
DUAL CHECK	\$ 326.84	\$ 237.67
TELESCOPING METER FLANGE		\$ 41.15

NOTE: ADD FOR EACH VALVE ADDED TO METER SETTER

OPTIONS

- Bypass available with inline or accessible or angle dual check - Adder \$ 308.46
- Angle dual check available with 1", 1 1/2" or 2" tap in cap - with or without plug - Adder: without plug \$ 19.84, with plug \$ 73.02
- Ball valve available with attached brass handle - Adder \$ 17.24
- Special flange to flange lay lengths available
- Assemblies shipped with two 1/8" EPDM rubber meter gaskets, and meter support brackets (assembly required)
- **Not all combinations available, contact factory with your requirements.** CONTACT THE FACTORY FOR ADDITIONAL HEIGHTS
- **MOST METER SETTERS ARE MADE TO ORDER AND ARE NOT RETURNABLE.**
- Please verify with the factory that the model number you have configured is available and meets your requirements.

731 Series

1 1/2" & 2" METERS

Vertical Style, Integral G, Q, & T CTS Compression Inlet and Outlet



To order 731 Series: Model No. **731-608WNTT 660** above means:

731		6	08	WN	TT		66	0
Series	Style	Meter Size	Meter Height	Inlet and Outlet Valves	Type of connection Inlet and Outlet	Blank Space	Size Inlet & Outlet	Bypass Size
	- = No Bypass B = Low Bypass *R = High Right Offset Bypass * = minimal height All setter with bypass require outlet valve	6 = 1 1/2" 7 = 2"	08 = 8" *12 = 12" 15 = 15" 18 = 18" 21 = 21" 24 = 24" 27 = 27" Additional heights available, contact factory	D = Full Port Angle Dual Check Valve (ASSE 1024) N = Flanged Elbow W = Full Port Angle Lockwing Ball Valve K = Telescoping Meter Flange Valve - 2" only			6 = 1 1/2" 7 = 2"	0 = No Bypass 5 = 1 1/4" 6 = 1 1/2" 7 = 2" 2" - contact factory
						G = "G" CTS McGrip Integral Q = "Q" CTS McQuick Integral T = "T" CTS Integral		

For other special meter connections, contact factory.

For Tandem Series Contact Factory



Tandem setters are supplied with adapters and "S" tube. Please specify device length and threads when ordering.

Integral Compression Inlet x FNPT Outlet

Model	Meter & Service Size	Carton PCS/WT	Price
731-612WNGG 660	1 1/2"		\$ 1,258.49
731-712WNGG 770	2"		\$ 1,523.71
731-612WNQQ 660	1 1/2"		\$ 1,258.49
731-712WNQQ 770	2"		\$ 1,523.71
731-612WNTT 660	1 1/2"		\$ 1,258.49
731-712WNTT 770	2"		\$ 1,523.71

ADDER FOR TANDEM SETTER (IF APPLICABLE)

NOTE: FOR 730 TO 732 SERIES AND 739 SERIES CONTACT THE FACTORY

	1 1/2"	2"
TANDEM SETTER	\$ 753.96	\$ 791.70

NOTE: METER SETTERS WITH FLANGED ELBOWS ARE NOT AVAILABLE WITH A BYPASS

Model Description	Size	List Price Adder	
		1 1/2"	2"
NO BYPASS	N/A	\$ 0.00	\$ 0.00
LOW INLINE BYPASS	1 1/4"	\$ 116.09	\$ 116.09
LOW INLINE BYPASS	1 1/2"	*\$ 351.92	\$ 351.92
LOW INLINE BYPASS	2"		*\$ 351.92
HIGH OFFSET BYPASS	1 1/4"	\$ 659.84	\$ 691.61
HIGH OFFSET BYPASS	1 1/2"	\$ 895.67	\$ 927.44

* No brace eyes

Height	List Price Adder	
	1 1/2"	2"
12"	\$ 0.00	\$ 0.00
15"	\$ 39.16	\$ 54.23
18"	\$ 78.33	\$ 108.46
21"	\$ 117.49	\$ 162.68
24"	\$ 156.65	\$ 216.91
27"	\$ 195.82	\$ 271.14

Description Meter Inlet & Outlet	List Price Adder	
	1 1/2"	2"
BALL VALVE	\$ 222.09	\$ 227.54
DUAL CHECK	\$ 326.84	\$ 237.67
TELESCOPING METER FLANGE		\$ 41.15

NOTE: ADD FOR EACH VALVE ADDED TO METER SETTER

OPTIONS

- Bypass available with inline or accessible or angle dual check - Adder \$ 308.46
- Angle dual check available with 1", 1 1/2" or 2" tap in cap - with or without plug - Adder: without plug \$ 19.84, with plug \$ 73.02
- Ball valve available with attached brass handle - Adder \$ 17.24
- Special flange to flange lay lengths available
- Assemblies shipped with two 1/8" EPDM rubber meter gaskets, and meter support brackets (assembly required)
- **Not all combinations available, contact factory with your requirements.** CONTACT THE FACTORY FOR ADDITIONAL HEIGHTS
- **MOST METER SETTERS ARE MADE TO ORDER AND ARE NOT RETURNABLE.**
- Please verify with the factory that the model number you have configured is available and meets your requirements.

732 Series

1 1/2" & 2" METERS

Vertical Style, Integral -22 CTS Compression Inlet and Outlet



To order 732 Series: Model No. **732-608WN22 660** above means:

732		6	08	WN	22		66	0
Series	Style	Meter Size	Meter Height	Inlet and Outlet Valves	Type of connection Inlet and Outlet	Blank Space	Size Inlet & Outlet	Bypass Size
	- = No Bypass B = Low Bypass *R = High Right Offset Bypass * = minimal height All setter with bypass require outlet valve	6 = 1 1/2" 7 = 2"	08 = 8" *12 = 12" 15 = 15" 18 = 18" 21 = 21" 24 = 24" 27 = 27" Additional heights available, contact factory	D = Full Port Angle Dual Check Valve (ASSE 1024) N = Flanged Elbow W = Full Port Angle Lockwing Ball Valve K = Telescoping Meter Flange Valve - 2" only			6 = 1 1/2" 7 = 2"	0 = No Bypass 5 = 1 1/4" 6 = 1 1/2" 7 = 2" 2" - contact factory
				For other special meter connections, contact factory.			2 = "-22" CTS MacPak Integral	

For Tandem Series Contact Factory



Tandem setters are supplied with adapters and "S" tube. Please specify device length and threads when ordering.

Mac Pak Compression Inlet x Mac Pak Compression Outlet

Model	Meter & Service Size	Carton PCS/WT	Price
732-612WN22 660	1 1/2"		\$ 1,258.49
732-712WN22 770	2"		\$ 1,523.71

ADDER FOR TANDEM SETTER (IF APPLICABLE)

NOTE: FOR 730 TO 732 SERIES AND 739 SERIES CONTACT THE FACTORY

	1 1/2"	2"
TANDEM SETTER	\$ 753.96	\$ 791.70

NOTE: METER SETTERS WITH FLANGED ELBOWS ARE NOT AVAILABLE WITH A BYPASS

Model Description	Size	List Price Adder	
		1 1/2"	2"
NO BYPASS	N/A	\$ 0.00	\$ 0.00
LOW INLINE BYPASS	1 1/4"	\$ 116.09	\$ 116.09
LOW INLINE BYPASS	1 1/2"	*\$ 351.92	\$ 351.92
LOW INLINE BYPASS	2"		*\$ 351.92
HIGH OFFSET BYPASS	1 1/4"	\$ 659.84	\$ 691.61
HIGH OFFSET BYPASS	1 1/2"	\$ 895.67	\$ 927.44

* No brace eyes

Height	List Price Adder	
	1 1/2"	2"
12"	\$ 0.00	\$ 0.00
15"	\$ 39.16	\$ 54.23
18"	\$ 78.33	\$ 108.46
21"	\$ 117.49	\$ 162.68
24"	\$ 156.65	\$ 216.91
27"	\$ 195.82	\$ 271.14

Description Meter Inlet & Outlet	List Price Adder	
	1 1/2"	2"
BALL VALVE	\$ 222.09	\$ 227.54
DUAL CHECK	\$ 326.84	\$ 237.67
TELESCOPING METER FLANGE		\$ 41.15

NOTE: ADD FOR EACH VALVE ADDED TO METER SETTER

OPTIONS

- Bypass available with inline or accessible or angle dual check - Adder \$ 308.46
- Angle dual check available with 1", 1 1/2" or 2" tap in cap - with or without plug - Adder: without plug \$ 19.84, with plug \$ 73.02
- Ball valve available with attached brass handle - Adder \$ 17.24
- Special flange to flange lay lengths available
- Assemblies shipped with two 1/8" EPDM rubber meter gaskets, and meter support brackets (assembly required)
- **Not all combinations available, contact factory with your requirements.** CONTACT THE FACTORY FOR ADDITIONAL HEIGHTS
- **MOST METER SETTERS ARE MADE TO ORDER AND ARE NOT RETURNABLE.**
- Please verify with the factory that the model number you have configured is available and meets your requirements.

739 Series

1 1/2" & 2" METERS

Vertical/Horizontal Style



To order 739 Series: Model No. **739-608WN2F 660** above means:

739		6	08	WN	2F		66	0
Series	Style	Meter Size	Meter Height	Inlet and Outlet Valves	Type of connection Inlet and Outlet	Blank Space	Size Inlet & Outlet	Bypass Size
	- = No Bypass B = Low Bypass *R = High Right Offset Bypass * = minimal height All setter with bypass require outlet valve	6 = 1 1/2" 7 = 2"	08 = 8" *12 = 12" 15 = 15" 18 = 18" 21 = 21" 24 = 24" 27 = 27" Additional heights available, contact factory	D = Full Port Angle Dual Check Valve (ASSE 1024) N = Flanged Elbow W = Full Port Angle Lockwing Ball Valve K = Telescoping Meter Flange Valve - 2" only			6 = 1 1/2" 7 = 2"	0 = No Bypass 5 = 1 1/4" 6 = 1 1/2" 7 = 2" 2" - contact factory
				For other special meter connections, contact factory.			F = FNPT Integral G = "G" CTS McGrip Integral Q = "Q" CTS McQuik Integral T = "T" CTS Integral 2 = "-22" CTS MacPak Integral	

For Tandem Series Contact Factory



Tandem setters are supplied with adapters and "S" tube. Please specify device length and threads when ordering.

ADDER FOR TANDEM SETTER (IF APPLICABLE)

NOTE: FOR 730 TO 732 SERIES AND 739 SERIES CONTACT THE FACTORY

	1 1/2"	2"
TANDEM SETTER	\$ 753.96	\$ 791.70

FNPT Inlet x Integral Compression Outlet

Model	Meter & Service Size	Carton PCS/WT	Price
739-612WNFF 660	1 1/2"		\$ 1,181.71
739-712WNFF 770	2"		\$ 1,358.47
739-612WN22 660	1 1/2"		\$ 1,181.71
739-712WN22 770	2"		\$ 1,358.47
739-612WNGG 660	1 1/2"		\$ 1,258.49
739-712WNGG 770	2"		\$ 1,523.71
739-612WNQQ 660	1 1/2"		\$ 1,258.49
739-712WNQQ 770	2"		\$ 1,523.71
739-612WN2T 660	1 1/2"		\$ 1,258.49
739-712WN2T 770	2"		\$ 1,523.71

NOTE: METER SETTERS WITH FLANGED ELBOWS ARE NOT AVAILABLE WITH A BYPASS

Model Description	Size	List Price Adder		Height	List Price Adder		Description Meter Inlet & Outlet	List Price Adder	
		1 1/2"	2"		1 1/2"	2"		1 1/2"	2"
NO BYPASS	N/A	\$ 0.00	\$ 0.00	12"	\$ 0.00	\$ 0.00	BALL VALVE	\$ 222.09	\$ 227.54
LOW INLINE BYPASS	1 1/4"	\$ 116.09	\$ 116.09	15"	\$ 39.16	\$ 54.23	DUAL CHECK	\$ 326.84	\$ 237.67
LOW INLINE BYPASS	1 1/2"	*\$ 351.92	\$ 351.92	18"	\$ 78.33	\$ 108.46	TELESCOPING METER		\$ 41.15
LOW INLINE BYPASS	2"		*\$ 351.92	21"	\$ 117.49	\$ 162.68	FLANGE		
HIGH OFFSET BYPASS	1 1/4"	\$ 659.84	\$ 691.61	24"	\$ 156.65	\$ 216.91			
HIGH OFFSET BYPASS	1 1/2"	\$ 895.67	\$ 927.44	27"	\$ 195.82	\$ 271.14			

* No brace eyes

OPTIONS

- Bypass available with inline or accessible or angle dual check - Adder \$ 308.46
- Angle dual check available with 1", 1 1/2" or 2" tap in cap - with or without plug - Adder: without plug \$ 19.84, with plug \$ 73.02
- Ball valve available with attached brass handle - Adder \$ 17.24
- Special flange to flange lay lengths available
- Assemblies shipped with two 1/8" EPDM rubber meter gaskets, and meter support brackets (assembly required)
- **Not all combinations available, contact factory with your requirements.** CONTACT THE FACTORY FOR ADDITIONAL HEIGHTS
- **MOST METER SETTERS ARE MADE TO ORDER AND ARE NOT RETURNABLE.**
- Please verify with the factory that the model number you have configured is available and meets your requirements.

Copper Meter Setters

Meter Idlers



Meter Idler - Copper

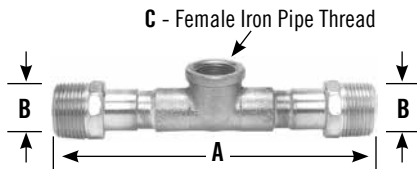
MODEL	METER	A	B	LIST PRICE
740MJ05	5/8"	7 1/2"	3/4"	\$ 31.21
740MJ07	5/8" x 3/4"	7 1/2"	1"	\$ 31.21
740MJ07 x 3.63	5/8" x 3/4"	5/8"	1"	\$ 31.21
740MJ09	3/4"	9"	1"	\$ 41.92
740MJ10	1"	10 3/4"	1 1/4"	\$ 61.33
740MJ10 x 4.00	1"	4"	1 1/4"	\$ 61.33
740MJ10 x 7.50	1"	7 1/2"	1 1/4"	\$ 61.33
740MJ10 x 9.50	1"	9 1/2"	1 1/4"	\$ 61.33
740MJ10 x 10.12	1"	10 1/8"	1 1/4"	\$ 61.33
740MJ10 x 13.00	1"	13"	1 1/4"	\$ 102.12
740MJ10 x 18.25	1"	18 1/4"	1 1/4"	\$ 92.85
740MJ60688	1 1/2"	6 7/8"	1 1/2" Oval Flange	\$ 213.86
740MJ613	1 1/2"	13"	1 1/2" Oval Flange	\$ 213.86
740MJ70513	1 1/2"	5 1/8"	2" Oval Flange	\$ 220.73
740MJ703	2"	3"	2" Oval Flange	\$ 213.62
740MJ707	2"	7"	2" Oval Flange	\$ 220.67
740MJ710	2"	10"	2" Oval Flange	\$ 220.67
740MJ717	2"	17"	2" Oval Flange	\$ 282.54
740MJ71562	2"	15 5/8"	2" Oval Flange	\$ 282.54

Meter Idler - Brass

MODEL	METER	A	LIST PRICE
740MJB07	5/8" x 3/4"	7 1/2"	\$ 44.55
740MJB09	3/4"	9"	\$ 49.27

Meter Idler - PVC

MODEL	METER	A	B	LIST PRICE
40MJ05PVC	5/8"	7 1/2"	3/4"	\$ 7.16
40MJ07PVC	5/8" x 3/4"	7 1/2"	1"	\$ 14.39
40MJ09PVC	3/4"	9"	1"	\$ 15.40
40MJ10PVC	1"	10 3/4"	1 1/4"	\$ 18.91



Air Release / Vac Idler Tee

MODEL	METER	A	B	C	LIST PRICE
715AV13 x 7.50	5/8"	7 1/2"	3/4"	3/4"	\$ 87.34
715AV23 x 7.50	5/8" x 3/4"	7 1/2"	1"	3/4"	\$ 87.54
715AV33 x 9.00	3/4"	9"	1"	3/4"	\$ 89.11
715AV44 x 10.75	1"	10 3/4"	1 1/4"	1"	\$ 126.31
715AV63 x 7.50	1 1/2"	7 1/2"	1 1/2" Oval Flange	3/4"	\$ 247.15
715AV64 x 7.50	1 1/2"	7 1/2"	1 1/2" Oval Flange	1"	\$ 251.84
715AV73 x 7.00	2"	7"	2" Oval Flange	3/4"	\$ 363.14
715AV74 x 7.00	2"	7"	2" Oval Flange	1"	\$ 368.29
715AV77 x 15.00 x 2.50	2"	15"	2" Oval Flange	2"	\$ 468.85
715AV77 x 8.25	2"	8 1/4"	2" Oval Flange	2"	\$ 406.98

Gaskets

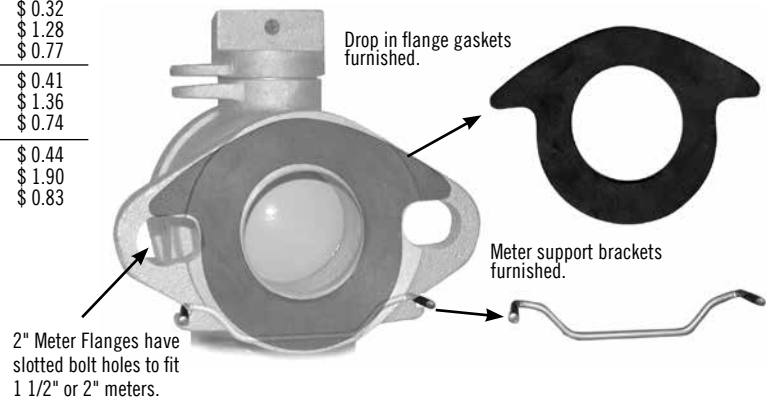


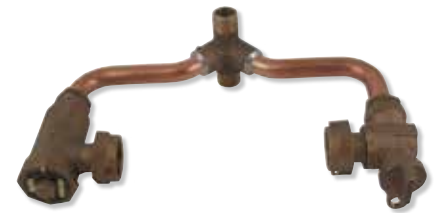
MODEL	DESCRIPTION	METER SIZE	LIST PRICE
18-G1	5/8" Rubber	5/8"	\$ 0.32
18-G1F	5/8" Fiber	5/8"	\$ 1.28
18-G1L	5/8" Waxed Leather	5/8"	\$ 0.77
18-G2	3/4" Rubber	5/8" x 3/4" or 3/4"	\$ 0.41
18-G2F	3/4" Fiber	5/8" x 3/4" or 3/4"	\$ 1.36
18-G2L	3/4" Waxed Leather	5/8" x 3/4" or 3/4"	\$ 0.74
18-G4	1" Rubber	1"	\$ 0.44
18-G4F	1" Fiber	1"	\$ 1.90
18-G4L	1" Waxed Leather	1"	\$ 0.83



MODEL	DESCRIPTION	METER SIZE	LIST PRICE
18-G6	1 1/2" Flange-Rubber	1 1/2"	\$ 3.62
18-G7	2" Flange-Rubber	2"	\$ 4.11
4620G	1 1/2" Round-Rubber	1 1/2"	\$ 3.25
4620G	2" Round-Rubber	2"	\$ 3.68

MODEL	DESCRIPTION	METER SIZE	LIST PRICE
18-GFF6	1 1/2" Full Flange	1 1/2"	\$ 3.62
18-GFF7	2" Full Flange	2"	\$ 4.14





Copper Meter Insetters

Copper Meter Insetters

Water Works Catalog / Price List - July 2017

MORE THAN A BRAND. WE'RE A FAMILY.

740 Series

5/8", 5/8" x 3/4", 3/4" or 1" | "C" Style

The A.Y. McDonald 740 series "C Style" meter inside setting offers solder-less construction with multiple options for vertical inlet and outlet union end connection configurations and combinations.



Solderless Setting

To order "C" Style: Model No. **740-2----FF 33** above means:

740	-	2	--	INLET OUTLET --	INLET OUTLET FF	Blank Space	33
Series 740 "C" Style	Style -- = Standard	Meter Size 1 = 5/8" 2 = 5/8" x 3/4" 3 = 3/4"	Meter Height -- = Standard	Inlet and Outlet Valves -- = Standard	Type of Connection Inlet and Outlet	Blank Space	Size Inlet & Outlet 1 = 1/2" 3 = 3/4" 4 = 1"

- C** = Copper flare union (3/4" or 1")
- F** = FNPT union (1/2", 3/4" or 1")
- G** = "G" CTS union (3/4")
- M** = MNPT union (3/4" or 1")
- Q** = "Q" CTS union (3/4")
- S** = Solder union (3/4" or 1")
- T** = "T" CTS union (3/4" or 1")
- Y** = "H CTS union (3/4")
- 2** = "-22" CTS MacPak union (3/4" or 1")
- 3** = "-33" PEP MacPak union (3/4")
- 4** = "-44" PVC MacPak union (3/4")
- 5** = "-55" IP MacPak union (3/4")

- Sealing gaskets for union ends are 40-EGSK3.

1" Meter Settings

The A.Y. McDonald 1" 740 series "C Style" meter inside setting offers multiple options for vertical inlet and outlet union end connection configurations and combinations with additional options for shut off or check valves.



To order "C" Style: Model No. **740-4----DD 44** above means:

740	-	4	--	INLET OUTLET --	INLET OUTLET DD	Blank Space	44
Series 740 "C" Style	Style -- = Standard	Meter Size 4 = 1"	Meter Height -- = Standard	Inlet and Outlet Valves -- = Standard	Type of Connection Inlet and Outlet	Blank Space	Size Inlet & Outlet 4 = 1" 5 = 1 1/4"

- D** = Double purpose union (1")
- G** = "G" CTS union (3/4")
- H** = "H" CTS Handyloc (3/4")
- M** = MNPT union (1" & 1 1/4")
- Q** = "Q" CTS Union (1")
- S** = Solder union (1")
- T** = "T" CTS Union (1")
- 2** = "-22" CTS MacPak Union (1")

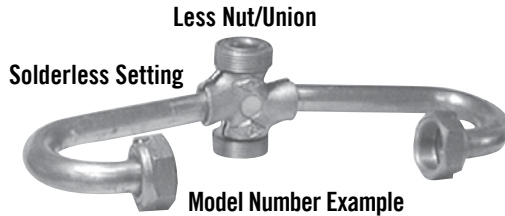
OPTIONS

- Assemblies shipped with two meter gaskets and union gaskets.
- Insert stiffeners are required on all flexible plastic connections.
- **Not all combinations available, contact factory with your requirements.**
- **MOST METER SETTERS ARE MADE TO ORDER AND ARE NOT RETURNABLE.**
- **Please verify with the factory that the model number you have configured is available and meets your requirements.**

740 Series

Less End Connections and Union Nuts

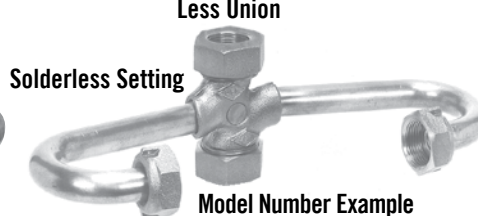
The A.Y. McDonald 740 series "C Style" meter inside setting is also available less end connections or less end connections and union nuts. These parts can be purchased separately to configure as required.



Less Nut/Union

Model Number Example

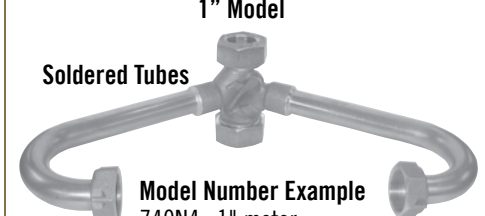
- 40 - 1, 5/8" meter
- 40 - 2, 5/8" x 3/4" meter
- 40 - 3, 3/4" meter



Less Union

Model Number Example

- 40N1, 5/8" meter
- 40N2, 5/8" x 3/4" meter
- 40N3, 3/4" meter



1" Model

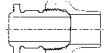


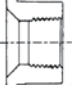






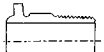
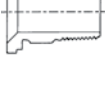








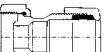

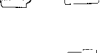









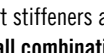
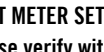


Soldered Tubes

Model Number Example

- 740N4, 1" meter,
Less union
- 740-4, 1" meter,
Less nut/union

Unions

Unions for 5/8", 5/8" x 3/4", 3/4", & 1" Meter Settings - "C" Style Unions

MODEL	DESCRIPTION	MODEL	DESCRIPTION
5/8", 5/8" x 3/4", 3/4" Meters		1" Meters	
	740-3C3 3/4" Flare C-Style endpiece		20-4N 1" Union nut only
	740-3C3ASY 3/4" Flare C-Style union assembly		720-4D4 1" Double purpose endpiece flare or FNPT (also used on 5/8" x 3/4", 3/4" meter sets with 1" Double purpose connection)
	740-3C4ASY 1" Flare C-Style union assembly		720-4D4ASY 1" Double purpose endpiece flare or FNPT (also used on 5/8" x 3/4", 3/4" meter sets with 1" Double purpose connection) with union nut & gasket
	740-3F1 1/2" FNPT C-Style endpiece		720-4J4 1" C903 endpiece
	740-3F3 3/4" FNPT C-Style endpiece		720-4J4ASY 1" C903 endpiece, union nut & gasket
	740-3F3ASY 3/4" FNPT C-Style union assembly		720-4M4 1" MNPT endpiece
	740-3F4ASY 1" FNPT C-Style union assembly		720-4M4ASY 1" MNPT endpiece, union nut & gasket
	740-3M3 3/4" MNPT C-Style endpiece		720-4M5 1 1/4" MNPT endpiece
	740-3M3ASY 3/4" MNPT C-Style union assembly		720-4M5ASY 1 1/4" MNPT endpiece, union nut & gasket
	740-3M4 1" MNPT C-Style endpiece		720-4Q4 1" Q CTS endpiece
	740-3M4ASY 1" MNPT C-Style union assembly		720-4Q4ASY 1" Q CTS endpiece, union nut & gasket
	740-3Q3 3/4" Q CTS C-Style endpiece		720-4S4 1" Solder endpiece
	740-S3 3/4" Solder C-Style endpiece		720-4S4ASY 1" Solder endpiece, union nut & gasket
	740-S3ASY 3/4" Solder union assembly		720-4T4 1" T CTS endpiece
	740-S4 1" Solder C-Style endpiece		720-424ASY 1" T CTS endpiece, union nut & gasket
	740-S4ASY 1" Solder union assembly		20G4 1" Double purpose gaskets
	740-3S3ASY 3/4" T CTS C-Style union assembly		
	740-3S4ASY 1" T CTS C-Style union assembly		
	740-3T3 3/4" T CTS C-Style endpiece		
	740-3T3ASY 3/4" -22 CTS C-Style union assembly		
	740-3T4ASY 1" -22 CTS C-Style union assembly		
	740-323 3/4" -22 CTS C-Style endpiece		
	740-323ASY 3/4" -22 CTS C-Style union assembly		
	740-324ASY 1" -22 CTS C-Style union assembly		
	20-3N Union nut for 3/4" Dual Purpose & C-Style Union		

OPTIONS

- Assemblies shipped with two meter gaskets.
- Insert stiffeners are required on all flexible plastic connections.
- **Not all combinations available, contact factory with your requirements.**
- **MOST METER SETTERS ARE MADE TO ORDER AND ARE NOT RETURNABLE.**
- **Please verify with the factory that the model number you have configured is available and meets your requirements.**

740 Series

FOR 5/8", 5/8" X 3/4", 3/4", OR 1" METERS

"C" Style

5/8" Meter Size	Carton PCS/WT	Price	5/8" x 3/4" Meter Size	Carton PCS/WT	Price	3/4" Meter Size	Carton PCS/WT	Price	1" Meter Size	Carton PCS/WT	Price
740-1----FF 33	5/18	\$ 96.80	740-2----FF 33	5/18	\$ 101.89	740-3----FF 33	5/18	\$ 115.35	740-4----DD 44	6/38	\$ 180.23

Inlet Option Adders (Price per end):

5/8", 5/8" x 3/4", or 3/4" Meters

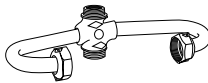
Option	Size	List	Size	List	Size	List
C - Copper flare union			3/4"	\$ 9.29	1"	\$ 27.30
F - Female union	1/2"	N/C	3/4"	N/C	1"	\$ 13.59
M - Male union			3/4"	N/C	1"	\$ 4.99
S - Solder union			3/4"	N/C	1"	\$ 4.99
T - "T" CTS union			3/4"	\$ 14.14	1"	\$ 29.17
2 - "-22" CTS union			3/4"	\$ 14.14	1"	\$ 29.63
3 - "-33" PEP union			3/4"	\$ 28.47		
4 - "-44" PVC union			3/4"	\$ 28.47		
5 - "-55" IP union			3/4"	\$ 29.68		

1" Meters

Option	Size	List
D - Double Purpose (Flare or FNPT)	1"	N/C
G - "G" CTS union	1"	N/C
H - "H" CTS Handyloc	1"	N/C
M - Male union	1"	N/C
Q - "Q" CTS union	1"	N/C
S - Solder union	1"	N/C
T - "T" CTS union	1"	N/C
2 - "-22" CTS MacPak union	1"	N/C

Series 40

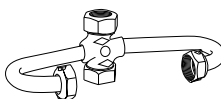
"C" Style



Model	Size	Carton PCS/WT	Price
40-1	5/8"	8/21	\$ 50.95
40-2	5/8" x 3/4"	8/22	\$ 54.94
40-3	3/4"	8/23	\$ 65.44
740-4	1"	10/47	\$ 129.32

Series 40

"C" Style



Model	Size	Carton PCS/WT	Price
40N1	5/8"	8/24	\$ 63.30
40N2	5/8" x 3/4"	8/24	\$ 67.25
40N3	3/4"	8/26	\$ 77.78
740N4	1"	7/41	\$ 154.73

Series 40 End Connections

5/8", 5/8" x 3/4" & 3/4"

Model No.	Size	List
740-323	- 3/4" -22 CTS C-Style endpiece	\$ 22.03
740-323ASY	- 3/4" -22 CTS C-Style Union Assembly	\$ 29.99
740-324ASY	- 1" -22 CTS C-Style Union Assembly	\$ 46.94
740-333ASY	- 3/4" -33 PEP-7 C-Style Union Assembly	\$ 46.24
740-3C3	- 3/4" Flare C-Style endpiece	\$ 24.76
740-3C3ASY	- 3/4" Flare C-Style Union Assembly	\$ 32.69
740-3C4ASY	- 1" Flare C-Style Union Assembly	\$ 45.06
740-3F1	- 1/2" FNPT C-Style endpiece	\$ 7.91
740-3F3	- 3/4" FNPT C-Style endpiece	\$ 7.94
740-3F3ASY	- 3/4" FNPT C-Style Union Assembly	\$ 14.10
740-3F4ASY	- 1" FNPT C-Style Union Assembly	\$ 27.11
740-3M3	- 3/4" MNPT C-Style endpiece	\$ 7.94
740-3M3ASY	- 3/4" MNPT C-Style Union Assembly	\$ 14.10
740-3M4	- 1" MNPT C-Style endpiece	\$ 12.71
740-3M4ASY	- 1" MNPT C-Style Union Assembly	\$ 18.90
740-3Q3	- 3/4" Q CTS C-Style endpiece	\$ 22.03
740-3S3	- 3/4" Solder C-Style endpiece	\$ 7.94
740-3S3ASY	- 3/4" Solder C-Style Union Assembly	\$ 14.10
740-3S4	- 1" Solder C-Style endpiece	\$ 12.71
740-3S4ASY	- 1" Solder C-Style Union Assembly	\$ 18.90
740-3T3	- 3/4" T CTS C-Style endpiece	\$ 22.03
740-3T3ASY	- 3/4" T CTS C-Style Union Assembly	\$ 29.99
740-3T4ASY	- 1" T CTS C-Style Union Assembly	\$ 46.94
20-3N	- Union Nut for 3/4" DP & C-Style Unions	\$ 6.20
40-EGSK3	- 3/4" Union Gasket	\$ 0.44

1" Meters

Model No.	Size	List
720-424ASY	- 1" "-22" CTS Union Assembly	\$ 36.20
720-4D4	- 1" Flare / FNPT Endpiece	\$ 12.71
720-4D4ASY	- 1" Flare / FNPT Union Assembly	\$ 22.64
720-4J4	- 1" C903 Endpiece	\$ 46.30
720-4M4	- 1" MNPT endpiece	\$ 12.71
720-4M4ASY	- 1" MNPT Union Assembly	\$ 22.64
720-4M5	- 1 1/4" MNPT endpiece	\$ 22.72
720-4M5ASY	- 1 1/4" MNPT Union Assembly	\$ 32.62
720-4Q4	- 1" "Q" CTS Endpiece	\$ 25.69
720-4Q4ASY	- 1" "Q" CTS Union Assembly	\$ 36.20
720-4S4	- 1" Solder Endpiece	\$ 12.71
720-4S4ASY	- 1" Solder Union Assembly	\$ 22.64
720-4T4	- 1" "T" Endpiece	\$ 25.69
20-4N	- 1" Union nut for 720 & 740	\$ 9.93
20G4	- 1" Union Gasket	\$ 0.58

OPTIONS

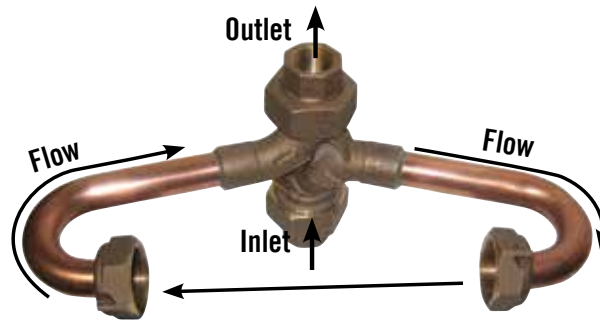
- Assemblies shipped with two meter gaskets.
- Insert stiffeners are required on all flexible plastic connections.
- **Not all combinations available, contact factory with your requirements.**
- **MOST METER SETTERS ARE MADE TO ORDER AND ARE NOT RETURNABLE.**
- Please verify with the factory that the model number you have configured is available and meets your requirements.

740M Series

5/8", 5/8" x 3/4" or 3/4" | "C" Style

The A.Y. McDonald 740M series "C Style" meter inside setting offers inlet and outlet union end connection configurations with additional options for shut off or check valves.

End connections are machined concave on the body and machined convex on the endpiece.



To order "C" Style: Model No. **740M2----MM 33** means:

740	M	2	--	INLET OUTLET --	INLET OUTLET MM		33
Series	Style	Meter Size	Meter Height	Inlet and Outlet Valves	Type of Connection Inlet and Outlet	Blank Space	Size Inlet & Outlet
740 "C" Style	M = Standard	1 = 5/8" 2 = 5/8" x 3/4" 3 = 3/4"	-- = Standard (Blank) = Inserter less union and connections	-- = Standard - Tubes with meter nuts less saddles, no valves A = 3/4" Port Angle Single Check Valve F = 3/4" Port Angle Dual Check Valve (ASSE 1024) G = Angle Lockwing Plug Valve K = 3/4" Port Angle Lockwing Ball Valve N = Flanged Tubing with Meter Nut Q = Standard Port Angle Lockwing Ball Valve Z = Brass Elbow	C = Copper flare union (3/4" or 1") F = FNPT union (1/2", 3/4" or 1") G = "G" CTS union (3/4") M = MNPT union (3/4" or 1") Q = "Q" CTS union (3/4") S = Solder union (3/4" or 1") T = "T" CTS union (3/4" or 1") Y = "H" CTS union (3/4") 2 = "-22" CTS MacPak union (3/4" or 1") 3 = "-33" PEP MacPak union (3/4") 4 = "-44" PVC MacPak union (3/4") 5 = "-55" IP MacPak union (3/4")		1 = 1/2" 3 = 3/4" 4 = 1"

OPTIONS

- Assemblies shipped with two meter gaskets.
- Insert stiffeners are required on all flexible plastic connections.
- **Not all combinations available, contact factory with your requirements.**
- **MOST METER SETTERS ARE MADE TO ORDER AND ARE NOT RETURNABLE.**
- Please verify with the factory that the model number you have configured is available and meets your requirements.

740M Series

5/8", 5/8" x 3/4" or 3/4" | "C" Style

The A.Y. McDonald 740M series "C Style" meter inside setting offers inlet and outlet union end connection configurations with additional options for shut off or check valves.

5/8" Meter Size	Carton PCS/WT	Price	5/8" x 3/4" Meter Size	Carton PCS/WT	Price	3/4" Meter Size	Carton PCS/WT	Price
740M1----MM 33	5/18	\$ 111.06	740M2----MM 33	5/19	\$ 111.07	740M3----MM 33	5/18	\$ 120.95

Inlet Option Adders (Price per end):

5/8", 5/8" x 3/4", or 3/4" Meters

Option	Size	List	Size	List	Size	List
C - Copper flare union			3/4"	\$ 19.82	1"	\$ 35.72
F - Female union	1/2"	\$ 10.27	3/4"	N/C	1"	\$ 9.23
M - Male union			3/4"	N/C	1"	\$ 9.23
S - Solder union			3/4"	N/C	1"	\$ 4.79
T - "T" CTS union			3/4"	\$ 14.15	1"	\$ 30.96
2 - "-22" CTS union			3/4"	\$ 14.15	1"	\$ 30.96
3 - "-33" PEP union			3/4"	\$ 40.85		
4 - "-44" PVC union			3/4"	\$ 40.85		
5 - "-55" IP union			3/4"	\$ 40.85		

Options		5/8"	5/8" x 3/4"	3/4"
Ball Valve (add or subtract)	W for STP	\$ 61.80	\$ 61.80	\$ 61.80
	J for FP	\$ 112.86	\$ 112.86	\$ 112.86
Single poppet angle check valve		\$ 56.11	\$ 56.11	\$ 56.11
ASSE approved angle dual check valve	D for STP	\$ 112.97	\$ 112.97	\$ 112.97
	M for FP			
Cascading Dual Check <i>Use "D X992" in model number</i>		\$ 103.09	\$ 103.09	\$ 103.09
Plug Valves - Use "L" in model number		\$ 50.86	\$ 50.86	\$ 50.86

STP = Standard FP = Full Port

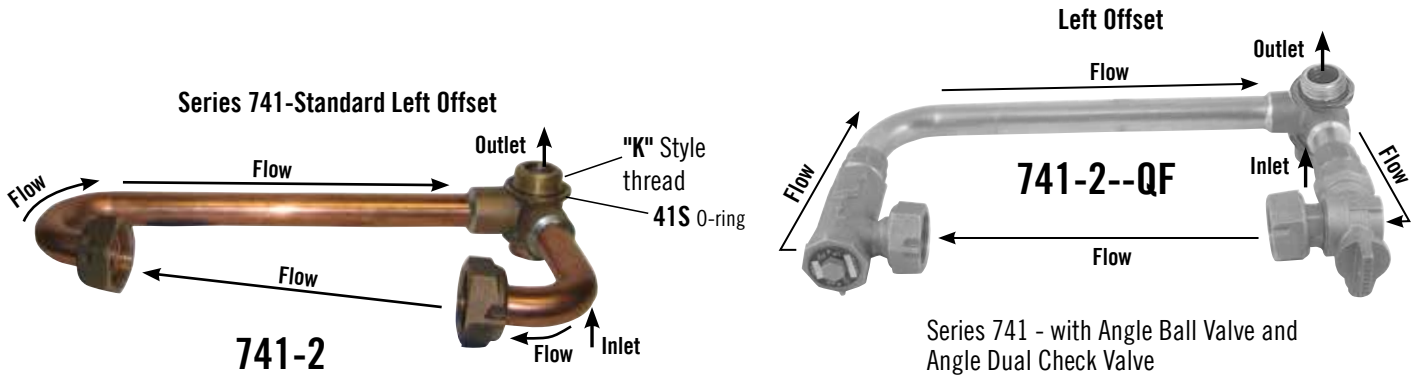
OPTIONS

- Assemblies shipped with two meter gaskets.
- Insert stiffeners are required on all flexible plastic connections.
- **Not all combinations available, contact factory with your requirements.**
- **MOST METER SETTERS ARE MADE TO ORDER AND ARE NOT RETURNABLE.**
- Please verify with the factory that the model number you have configured is available and meets your requirements.

741 Series

5/8", 5/8" x 3/4" or 3/4" | Meter Settings - "K" Style

The A.Y. McDonald 741 series "K Style" meter inside setting offers left and right offset configurations along with additional options for shut off or check valves. Minimal changes to customer plumbing is required. Cut in style end connections are available to connect to varying service line materials. The special inlet and outlet thread and o-ring seal combination offers quick, leak free connections.



To order "K" Style: Model No. **741-2** above means:

741	-	2
Series 741 "K" Style	Style - = Standard (Left) C = K Style insetter with 744 series tubes D = 7/8" tube (Not available for 5/8" meters with flange) X = K Style with right hand configuration (with valves only)	Meter Size 1 = 5/8" 2 = 5/8" x 3/4" 3 = 3/4"

To order "K" Style: Model No. **741-2--QF** above means:

741	-	2	--	QF
Series 741 "K" Style	Style - = Standard (Left) C = K Style insetter with 744 series tubes D = 7/8" tube (Not available for 5/8" meters with flange) X = K Style with right hand configuration (with valves only)	Meter Size 1 = 5/8" 2 = 5/8" x 3/4" 3 = 3/4"	Meter Height -- = Standard (If Blank) = Standard settings less valve and end connections	Inlet and Outlet Valves A = 3/4" Port Angle Single Check Valve F = 3/4" Port Angle Dual Check Valve (ASSE 1024) G = Angle Lockwing Plug Valve K = 3/4" Port Angle Lockwing Ball Valve N = Flanged Tubing with Meter Nut Q = Standard Port Angle Lockwing Ball Valve Z = Brass Elbow

OPTIONS

- Assemblies shipped with two meter gaskets.
- Valves and Compression assemblies ordered separately.
- Inline Dual Check Backflow Valves available for 5/8", 5/8" x 3/4", and 3/4" "K" style insetters.
- Contact factory for setting the test valve soldered in tubing.
- Insert stiffeners are required on all flexible plastic connections.
- **Not all combinations available, contact factory with your requirements.**
- **MOST METER SETTERS ARE MADE TO ORDER AND ARE NOT RETURNABLE.**
- **Please verify with the factory that the model number you have configured is available and meets your requirements.**

Options		5/8"	5/8" x 3/4"	3/4"	1"
Ball Valve (add or subtract)	W for STP	\$ 61.80	\$ 61.80	\$ 61.80	\$ 124.02
	J for FP	\$ 112.86	\$ 112.86	\$ 112.86	\$ 170.02
Single poppet angle check valve		\$ 56.11	\$ 56.11	\$ 56.11	\$ 67.45
ASSE approved angle dual check valve	D for STP	\$ 112.97	\$ 112.97	\$ 112.97	\$ 107.14
	M for FP				\$ 196.08
Cascading Dual Check <i>Use "D.X992" in model number</i>		\$ 103.09	\$ 103.09	\$ 103.09	\$ 107.15
Plug Valves - Use "L" in model number		\$ 50.86	\$ 50.86	\$ 50.86	\$ 77.98

STP = Standard FP = Full Port

741 Series

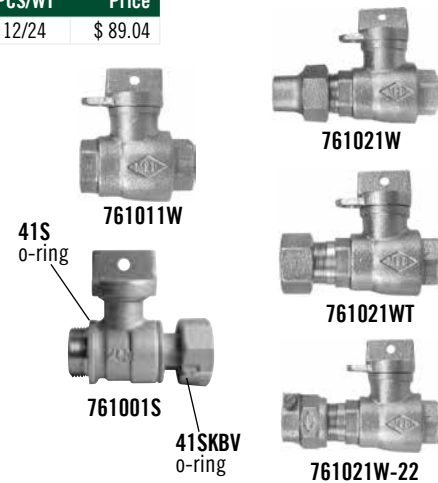
FOR 5/8", 5/8" X 3/4", 3/4", OR 1" METERS

"K" Style

5/8" Meter Size	Carton PCS/WT	Price	5/8" x 3/4" Meter Size	Carton PCS/WT	Price	3/4" Meter Size	Carton PCS/WT	Price
741-1	12/26	\$ 76.05	741-2	12/26	\$ 80.31	741-3	12/24	\$ 89.04

Ball Valves for K Style

Model	Valve Size	Description	List Price
761001S 3/4" x 5/8" x 3/4"	5/8"	3/4" "K" Swivel Nut x 3/4" "K" Male Thread less lockwing	\$ 66.61
761001SW 3/4" x 5/8" x 3/4"	5/8"	3/4" "K" Swivel Nut x 3/4" "K" Male Thread with lockwing	\$ 70.05
761011 3/4" x 5/8" x 3/4"	5/8"	3/4" FNPT x 3/4" "K" Thread less lockwing	\$ 62.79
761011W 3/4" x 5/8" x 3/4"	5/8"	3/4" FNPT x 3/4" "K" Thread with lockwing	\$ 67.56
761021W 3/4"	3/4"	3/4" Flare x 3/4" "K" Thread	\$ 104.59
761021W-22 3/4" x 5/8" x 3/4"	5/8"	3/4" -22 CTS x 3/4" "K" Thread	\$ 76.20
761021W-22 3/4"	3/4"	3/4" -22 CTS x 3/4" "K" Thread	\$ 99.75
761021WQ 3/4" x 5/8" x 3/4"	5/8"	3/4" Q CTS x 3/4" "K" Thread	\$ 99.75
761021WT 3/4" x 5/8" x 3/4"	5/8"	3/4" T CTS x 3/4" "K" Thread	\$ 76.20
41S		K-Style Bottom Bar O-Ring - 25 per bag	\$ 1.23
41SKBV		K-Style Swivel Ball Valve O-Ring - 25 per bag	\$ 2.50



Fittings for Model 741-1, 741-2, or 741-3



Model	Size	Description	List Price
747541P	3/4"	MNPT x "K" Thread	\$ 12.84
747541F	3/4"	FNPT x "K" Thread	\$ 13.97
747541S	1/2" x 3/4"	Solder x "K" Thread	\$ 14.64
747541S	3/4"	Solder x "K" Thread	\$ 15.06
747541-22	3/4"	"-22" CTS x "K" Thread	\$ 19.59
747541-22	1/2" x 3/4"	"-22" CTS x "K" Thread	\$ 21.59
747541-22	1" x 3/4"	"-22" CTS x "K" Thread	\$ 24.63
747541-22	1 1/4" x 3/4"	"-22" CTS x "K" Thread	\$ 49.03
747541-22	1 3/16" x 3/4"	"-22" CTS x "K" Thread	\$ 21.59
747541Q	3/4"	"Q" CTS x "K" Thread	\$ 19.59
747541Q	1" x 3/4"	"Q" CTS x "K" Thread	\$ 24.63
747541Q	1 1/4" x 3/4"	"Q" CTS x "K" Thread	\$ 49.03

Model	Size	Description	List Price
747541T	3/4"	"T" CTS x "K" Thread	\$ 19.59
747541T	1" x 3/4"	"T" CTS x "K" Thread	\$ 24.63
747541T	1 1/4" x 3/4"	"T" CTS x "K" Thread	\$ 49.03
747541-33	3/4"	"-33" PEP x "K" Thread	\$ 26.07
747541-33	1" x 3/4"	"-33" PEP x "K" Thread	\$ 46.71
747541-3Q	1" x 3/4"	"-3Q" PEP x "K" Thread	\$ 46.71
747541-44	1/2" x 3/4"	"-44" PVC x "K" Thread	\$ 20.96
747541-44	3/4"	"-44" PVC x "K" Thread	\$ 25.10
747541-44	1" x 3/4"	"-44" PVC x "K" Thread	\$ 46.78
747541-55	3/4"	"-55" IP x "K" Thread	\$ 19.59
747541-55	1" x 3/4"	"-55" IP x "K" Thread	\$ 34.12
47541GSKT	-	Copper spacing gasket	\$ 1.19

711, 7201, 7211 Series - Inline Dual Check Backflow Preventers

Model	Valve Size	Inlet x Outlet	List Price	Model	Valve Size	Inlet x Outlet	List Price
711-32K 33	3/4"	13/16 CTS Union x Male "K" Integral	\$ 93.47	7201C3KL 331	3/4"	Male "K" x Female "K"	\$ 169.88
711-3KL 33	3/4"	Male "K" Integral x Female "K" Union	\$ 115.01	7201C3KL 331 x 001	3/4"	Male "K" x Female "K"	\$ 180.23
711-3LK 33	3/4"	Female "K" Union x Male "K" Integral	\$ 96.36	7201C3KL 332	3/4"	Male "K" x Female "K"	\$ 169.88
711-3LE 33	3/4"	Female "K" Union x FNPT Integral	\$ 96.36	7201C3KL 332 x 001	3/4"	Male "K" x Female "K"	\$ 180.23
711-3L2 33	3/4"	Female "K" Union x -22 CTS Integral	\$ 126.32	7201C3KL 331	3/4"	Female "K" x Male "K"	\$ 169.88
711-3LT 33	3/4"	Female "K" Union x T CTS Integral	\$ 126.32	7201C3KL 331 x 001	3/4"	Female "K" x Male "K"	\$ 180.23
711-3LV 33	3/4"	Female "K" Union x Q CTS Integral	\$ 126.32	7201C3KL 332	3/4"	Female "K" x Male "K"	\$ 169.88
711-3MK 33	3/4"	MNPT Union x Male "K" Integral	\$ 92.22	7201C3KL 332 x 001	3/4"	Female "K" x Male "K"	\$ 180.23
711-3QK 33	3/4"	Male "K" Union x Male "K" Integral	\$ 92.22	7211E3LK 331	3/4"	Female "K" x Male "K"	\$ 236.97
711E3LK 33	3/4"	Female "K" Union x Male "K" Integral	\$ 96.36	7211-3LK 331	3/4"	Female "K" x Male "K"	\$ 215.47
				7211-3LK 332	3/4"	Female "K" x Male "K"	\$ 215.47



OPTIONS

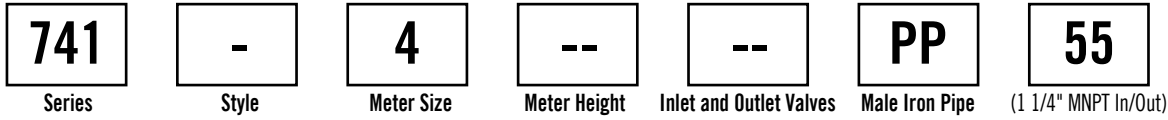
- Assemblies shipped with two meter gaskets.
- Valves and Compression assemblies ordered separately.
- Inline Dual Check Backflow Valves available for 5/8", 5/8" x 3/4", and 3/4" "K" style insetters.
- Contact factory for setting the test valve soldered in tubing.
- Insert stiffeners are required on all flexible plastic connections.
- **Not all combinations available, contact factory with your requirements.**
- **MOST METER SETTERS ARE MADE TO ORDER AND ARE NOT RETURNABLE.**
- **Please verify with the factory that the model number you have configured is available and meets your requirements.**

741 Series

1" Meter | "K" Style

The A.Y. McDonald 1" 741 series "K Style" meter inside setting offers left and right offset configurations along with additional options for shut off or check valves. End connections are available to connect to varying service line materials. The Male Iron Pipe Thread (MNPT) inlet and outlet thread allows multiple combinations with female adapters for quick, leak free connections.

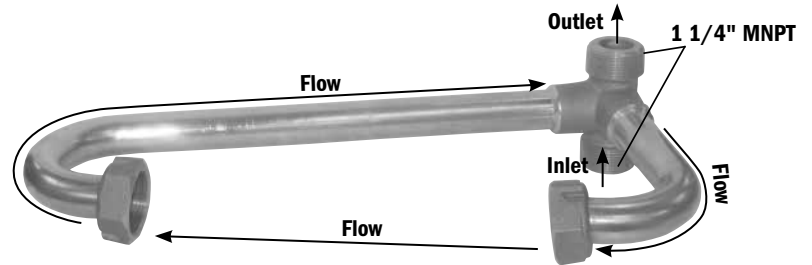
To order "K" Style: Model No. **741-4** means:



741
"K" Style

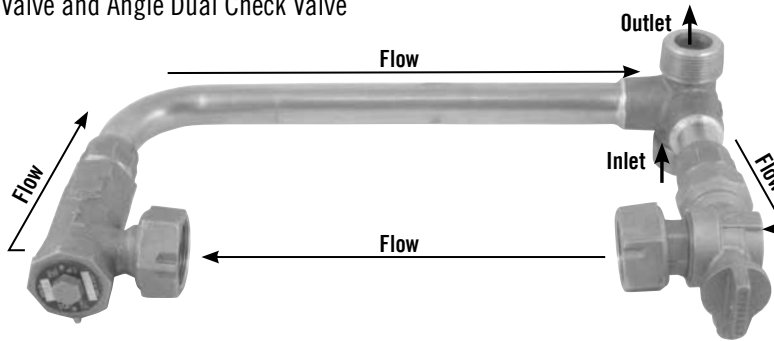
-- = Standard (Left)
C = K Style insetter with 744 series tubes, see page 369.

4 = 1"

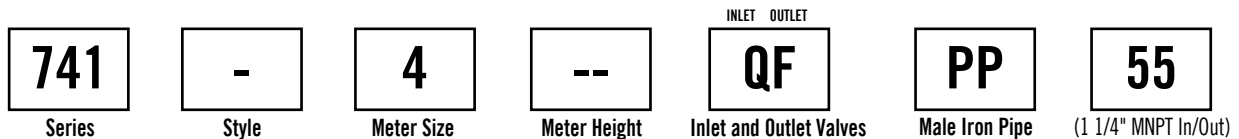


Meter Settings with Integral Valves

Series 741 - with Angle Ball Valve and Angle Dual Check Valve



To order "K" Style: Model No. **741-4--QF** above means:



741
"K" Style

-- = Standard
C = K Style insetter with 744 series tubes, see page 369.
X = K Style right hand configuration

4 = 1" (1 1/4" MNPT In/Out)

-- = Standard

A = 1" Port Angle Single Check Valve
F = 3/4" Port Angle Dual Check Valve (ASSE 1024)
G = Angle Lockwing Plug Valve
K = 1" Port Angle Lockwing Ball Valve
N = Flanged Tubing with Meter Nut
P = 1" Port Angle Dual Check Valve (ASSE 1024)
Q = Standard Port Angle Lockwing Ball Valve
Z = Brass Elbow

PP = MNPT x MNPT

5 = 1 1/4"

OPTIONS

- Assemblies shipped with two meter gaskets.
- Valves and Compression assemblies ordered separately.
- Inline Dual Check Backflow Valves available for 5/8", 5/8" x 3/4", and 3/4" "K" style insetters.
- Contact factory for setting the test valve soldered in tubing.
- Insert stiffeners are required on all flexible plastic connections.
- **Not all combinations available, contact factory with your requirements.**
- **MOST METER SETTERS ARE MADE TO ORDER AND ARE NOT RETURNABLE.**
- **Please verify with the factory that the model number you have configured is available and meets your requirements.**

741 SERIES

Compression Assemblies & Ball Valves for 1" "K" Style



1" Meter Size	Carton PCS/WT	Price
741-4	10/40	\$ 169.26

Ball Valves for Model 741-4 with Lockwing

Model	Description	List Price
76101MW 1" x 3/4" x 1"	1" FNPT x 1" Meter Swivel	\$ 109.33
76101MW 1"	1" FNPT x 1" Meter Swivel	\$ 149.93
76100MW 1" x 3/4" x 1"	1" Flare x 1" Meter Swivel	\$ 130.87
76100MW 1"	1" Flare x 1" Meter Swivel	\$ 160.58
76100MW-22 1" x 3/4" x 1"	1" -22 CTS x 1" Meter Swivel	\$ 135.50
76100MW-22 1"	1" -22 CTS x 1" Meter Swivel	\$ 166.54
76100MWG 1" x 3/4" x 1"	1" G CTS x 1" Meter Swivel	\$ 135.50
76100MWG 1"	1" G CTS x 1" Meter Swivel	\$ 166.54
76100MWQ 1" x 3/4" x 1"	1" Q CTS x 1" Meter Swivel	\$ 135.50
76100MWQ 1"	1" Q CTS x 1" Meter Swivel	\$ 166.54
76100MWT 1" x 3/4" x 1"	1" T CTS x 1" Meter Swivel	\$ 135.50
76100MWT 1"	1" T CTS x 1" Meter Swivel	\$ 166.54
76100MW-33 1"	1" -33 PEP-7 x 1" Meter Swivel	\$ 181.59
76100MW-44 1"	1" -44 PVC x 1" Meter Swivel	\$ 181.59

Ball Valves for Model 741-4 without Lockwing

Model	Description	List Price
76101M 1" x 3/4" x 1"	1" FNPT x 1" Meter Swivel	\$ 109.44
76101M 1"	1" FNPT x 1" Meter Swivel	\$ 146.51
76100M 1" x 3/4" x 1"	1" Flare x 1" Meter Swivel	\$ 127.44
76100M 1"	1" Flare x 1" Meter Swivel	\$ 157.12
76100M-22 1" x 3/4" x 1"	1" -22 CTS x 1" Meter Swivel	\$ 132.06
76100M-22 1"	1" -22 CTS x 1" Meter Swivel	\$ 163.11
76100MQ 1" x 3/4" x 1"	1" Q CTS x 1" Meter Swivel	\$ 132.06
76100MQ 1"	1" Q CTS x 1" Meter Swivel	\$ 163.11
76100MT 1" x 3/4" x 1"	1" T CTS x 1" Meter Swivel	\$ 132.06
76100MT 1"	1" T CTS x 1" Meter Swivel	\$ 163.11
76100M-33 1"	1" -33 PEP-7 x 1" Meter Swivel	\$ 178.37
76100M-3G 1"	1" -33 PEP-7 x 1" Meter Swivel	\$ 178.37
76100M-3G 1"	1" -33 PEP-7 x 1" Meter Swivel	\$ 178.37
76100M-44 1"	1" -44 PVC x 1" Meter Swivel	\$ 178.37
76100M-55 1"	1" -55 IP x 1" Meter Swivel	\$ 205.23

Fittings for Model 741-4



Model	Description	List Price
74754 1" x 1 1/4"	1" Flare x 1 1/4" FNPT	\$ 44.59
74754 1 1/4"	1" Flare x 1 1/4" FNPT	\$ 61.92
74754-22 1" x 1 1/4"	1" -22 CTS x 1 1/4" FNPT	\$ 41.02
74754-22 1 1/4"	1" -22 CTS x 1 1/4" FNPT	\$ 63.82
74754-22 1 1/2" x 1 1/4"	1" -22 CTS x 1 1/4" FNPT	\$ 76.03
747541-22 1" x 1 1/4"	1" -22 CTS x 1 1/4" FNPT	\$ 41.02
74754G 1" x 1 1/4"	1" G CTS x 1 1/4" FNPT	\$ 41.02
74754G 1 1/4"	1" G CTS x 1 1/4" FNPT	\$ 63.82
747541G 1" x 1 1/4"	1" G CTS x 1 1/4" FNPT	\$ 41.02
74754Q 1" x 1 1/4"	1" Q CTS x 1 1/4" FNPT	\$ 41.02
74754Q 1 1/4"	1" Q CTS x 1 1/4" FNPT	\$ 63.82
747541Q 1" x 1 1/4"	1" Q CTS x 1 1/4" FNPT	\$ 41.02

Model	Description	List Price
74754T 1" x 1 1/4"	1" T CTS x 1 1/4" FNPT	\$ 41.02
74754T 1 1/4"	1" T CTS x 1 1/4" FNPT	\$ 63.82
747541T 1" x 1 1/4"	1" T CTS x 1 1/4" FNPT	\$ 41.02
74754-33 1" x 1 1/4"	1" -33 PEP-7 x 1 1/4" FNPT	\$ 54.62
74754-33 1 1/4"	1" -33 PEP-7 x 1 1/4" FNPT	\$ 58.48
74754-3G 1" x 1 1/4"	1" -3G PEP x 1 1/4" FNPT	\$ 49.00
74754-44 1" x 1 1/4"	1" -44 PVC x 1 1/4" FNPT	\$ 48.98
74754-44 1 1/4"	1" -44 PVC x 1 1/4" FNPT	\$ 60.73
74754-55 1" x 1 1/4"	1" -55 IP x 1 1/4" FNPT	\$ 46.88

711 Series - Inline Dual Check Backflow Preventers



Model	Valve Size	Description	List Price
711-4JF 54	1"	1" Meter Swivel Nut x 1" FNPT	\$ 197.66
711-4JM 54	1"	1" Meter Swivel Nut x 1" MNPT	\$ 197.66

Options		5/8"	5/8" x 3/4"	3/4"	1"
Ball Valve (add or subtract)	W for STP	\$ 61.80	\$ 61.80	\$ 61.80	\$ 124.02
	J for FP	\$ 112.86	\$ 112.86	\$ 112.86	\$ 170.02
Single poppet angle check valve		\$ 56.11	\$ 56.11	\$ 56.11	\$ 67.45
ASSE approved angle dual check valve	D for STP	\$ 112.97	\$ 112.97	\$ 112.97	\$ 107.14
	M for FP				\$ 196.08
Cascading Dual Check		\$ 103.09	\$ 103.09	\$ 103.09	\$ 107.15
<i>Use "D X992" in model number</i>					
Plug Valves - Use "L" in model number		\$ 50.86	\$ 50.86	\$ 50.86	\$ 77.98

STP = Standard FP = Full Port

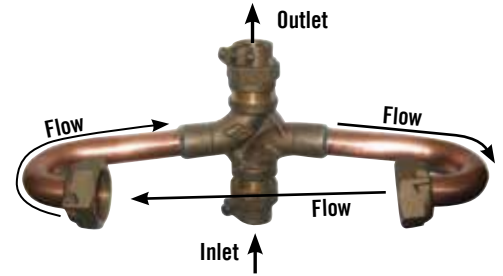
OPTIONS

- Assemblies shipped with two meter gaskets.
- Valves and Compression assemblies ordered separately.
- Inline Dual Check Backflow Valves available for 5/8", 5/8" x 3/4", and 3/4" "K" style insetters.
- Contact factory for setting the test valve soldered in tubing.
- Insert stiffeners are required on all flexible plastic connections.
- **Not all combinations available, contact factory with your requirements.**
- **MOST METER SETTERS ARE MADE TO ORDER AND ARE NOT RETURNABLE.**
- **Please verify with the factory that the model number you have configured is available and meets your requirements.**

742 SERIES

5/8", 5/8" x 3/4", or 3/4" | "H" Style, Less Valves

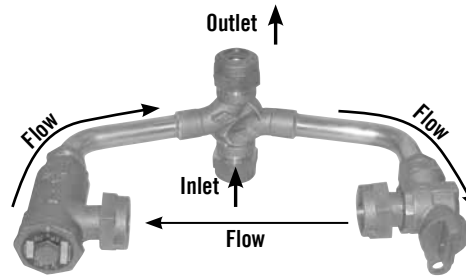
The A.Y. McDonald 742 series "H Style" meter inside setting offers integral Compression type inlet and outlet end connection configurations with additional options for shut off or check valves.



To order "H" Style: Model No. **742-2----22 33** above means:

742	-	2	--	INLET OUTLET --	INLET OUTLET 22	Blank Space	33
Series 742 "H" Style	Style -- = Standard D = 7/8" tube (Not available for 5/8" meters with flange)	Meter Size 1 = 5/8" 2 = 5/8" x 3/4" 3 = 3/4"	Meter Height -- = Standard	Inlet and Outlet Valves -- = Standard	Type of Connection Inlet and Outlet G = "G" CTS integral (3/4") H = "H" CTS Handyloc integral (3/4") J = C903 integral (3/4") Q = "Q" CTS McQuick integral (3/4") T = "T" CTS integral (3/4") 2 = "-22" CTS MacPak integral (1/2", 3/4") 3 = "-33" PEP MacPak integral (3/4") 4 = "-44" PVC MacPak integral (3/4") 5 = "-55" IP MacPak integral (3/4")	Blank Space	Size Inlet & Outlet 1 = 1/2" 3 = 3/4"

5/8", 5/8" x 3/4", or 3/4" Meter Settings with Valves
"H" Style



To order "H" Style: Model No. **742-2--QFQQ 33** above means:

742	-	2	--	INLET OUTLET QF	INLET OUTLET QQ	Blank Space	33
Series 742 "H" Style	Style -- = Standard D = 7/8" tube (Not available for 5/8" meters with flange)	Meter Size 1 = 5/8" 2 = 5/8" x 3/4" 3 = 3/4"	Meter Height -- = Standard	Inlet and Outlet Valves A = 3/4" & 1" Port Angle Single Check Valve F = 3/4" Port Angle Dual Check Valve (ASSE 1024) G = Angle Lockwing Plug Valve K = 3/4" & 1" Port Angle Lockwing Ball Valve N = Flanged Tubing with Meter Nut P = 1" Port Angle Dual Check Valve (ASSE 1024) Q = Standard Port Angle Lockwing Ball Valve Rated at 300 PSIG Z = Brass Elbow	Type of Connection Inlet and Outlet G = "G" CTS integral (3/4") H = "H" CTS Handyloc integral (3/4") J = C903 integral (3/4") Q = "Q" CTS McQuick integral (3/4") T = "T" CTS integral (3/4") 2 = "-22" CTS MacPak integral (1/2", 3/4") 3 = "-33" PEP MacPak integral (3/4") 4 = "-44" PVC MacPak integral (3/4") 5 = "-55" IP MacPak integral (3/4")	Blank Space	Size Inlet & Outlet 1 = 1/2" 3 = 3/4"

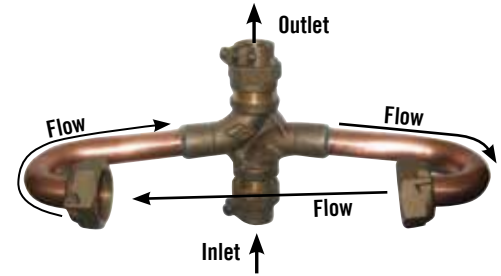
OPTIONS

- Assemblies shipped with two meter gaskets.
- Insert stiffeners are required on all flexible plastic connections.
- **Not all combinations available, contact factory with your requirements.**
- **MOST METER SETTERS ARE MADE TO ORDER AND ARE NOT RETURNABLE.**
- **Please verify with the factory that the model number you have configured is available and meets your requirements.**

742 SERIES

1" | "H" Style, Less Valves

The A.Y. McDonald 742 series "H Style" meter inside setting offers integral Compression type inlet and outlet end connection configurations with additional options for shut off or check valves.



To order "H" Style: Model No. **742-4----22 44** above means:

742

Series
742
"H" Style

-

Style
- = Standard

4

Meter Size
4 = 1"

--

Meter Height
-- = Standard

--

Inlet and Outlet Valves
-- = Standard

22

Type of Connection
Inlet and Outlet

Blank Space

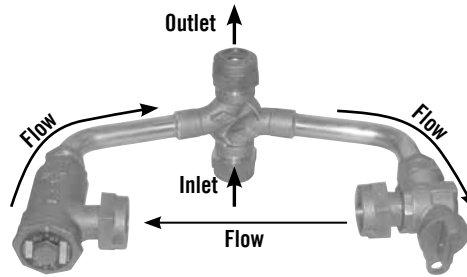
Blank Space

44

Size Inlet & Outlet
4 = 1"

G = G CTS integral (1")
Q = Q CTS McQuick integral (1")
T = T CTS integral (1")
2 = -22 CTS MacPak integral (1")

1" Meter Settings with Valves "H" Style



To order "H" Style: Model No. **742-4--QFQQ 44** above means:

742

Series
742
"H" Style

-

Style
- = Standard

4

Meter Size
4 = 1"

--

Meter Height
-- = Standard

QF

Inlet and Outlet Valves
A = 1" Port Angle Single Check Valve
F = 3/4" Port Angle Dual Check Valve (ASSE 1024)
G = Angle Lockwing Plug Valve
K = 1" Port Angle Lockwing Ball Valve
N = Flanged Tubing with Meter Nut
P = 1" Port Angle Dual Check Valve (ASSE 1024)
Q = Standard Port Angle Lockwing Ball Valve
Z = Brass Elbow

QQ

Type of Connection
Inlet and Outlet

Blank Space

Blank Space

44

Size Inlet & Outlet
4 = 1"

G = "G" CTS integral (1")
Q = "Q" CTS McQuick integral (1")
T = "T" CTS integral (1")
2 = "-22" CTS MacPak integral (1")

OPTIONS

- Assemblies shipped with two meter gaskets.
- Insert stiffeners are required on all flexible plastic connections.
- **Not all combinations available, contact factory with your requirements.**
- **MOST METER SETTERS ARE MADE TO ORDER AND ARE NOT RETURNABLE.**
- Please verify with the factory that the model number you have configured is available and meets your requirements.

742 Series

FOR 5/8", 5/8" X 3/4", 3/4", OR 1" METERS

"H" Style

5/8" Meter Size	Carton PCS/WT	Price	5/8" x 3/4" Meter Size	Carton PCS/WT	Price	3/4" Meter Size	Carton PCS/WT	Price	1" Meter Size	Carton PCS/WT	Price
742-1----22 33	5/15	\$ 97.46	742-2----22 33	5/15	\$ 102.30	742-3----22 33	5/15	\$ 109.83	742-4----22 44	4/21	\$ 258.41

Inlet Option Adders (Price per end):

5/8", 5/8" x 3/4", or 3/4" Meters

Option	Size	List
Q - "Q" CTS	3/4"	N/C
T - "T" CTS	1/2" N/C	3/4" N/C
2 - "-22" CTS	3/4"	N/C
3 - "-33" PEP	3/4"	\$ 7.68
4 - "-44" PVC	3/4"	\$ 7.68
5 - "-55" IP	3/4"	\$ 7.68

1" Meters

Option	Size	List
G - "G" CTS	1"	N/C
Q - "Q" CTS	1"	N/C
T - "T" CTS	1"	N/C
2 - "-22" CTS MacPAK	1"	N/C

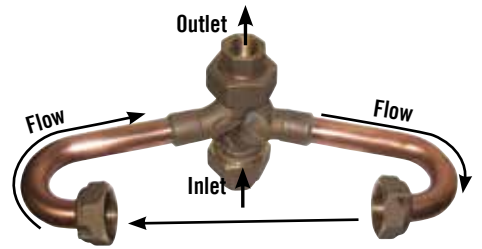
Options		5/8"	5/8" x 3/4"	3/4"	1"
Ball Valve (add or subtract)	W for STP	\$ 61.80	\$ 61.80	\$ 61.80	\$ 124.02
	J for FP	\$ 112.86	\$ 112.86	\$ 112.86	\$ 170.02
Single poppet angle check valve		\$ 56.11	\$ 56.11	\$ 56.11	\$ 67.45
ASSE approved angle dual check valve	D for STP	\$ 112.97	\$ 112.97	\$ 112.97	\$ 107.14
	M for FP				\$ 196.08
Cascading Dual Check <i>Use "DX992" in model number</i>		\$ 103.09	\$ 103.09	\$ 103.09	\$ 107.15
Plug Valves - Use "L" in model number		\$ 50.86	\$ 50.86	\$ 50.86	\$ 77.98

STP = Standard FP = Full Port

743 SERIES

5/8", 5/8" x 3/4" or 3/4" | "M" Style
Double Purpose x Double Purpose

The A.Y. McDonald 743 series "M Style" meter inside setting offers inlet and outlet union end connection configurations with additional options for shut off or check valves.



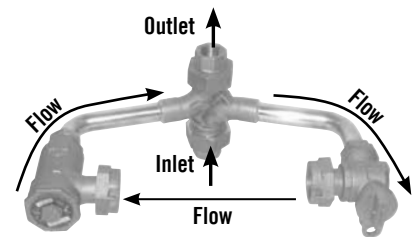
To order "M" Style: Model No. **743-2----DD 33** means:

743	-	2	--	INLET OUTLET --	INLET OUTLET 22		33
Series	Style	Meter Size	Meter Height	Inlet and Outlet Valves	Type of Connection Inlet and Outlet	Blank Space	Size Inlet & Outlet
743 "M" Style	- = Standard D = 7/8" tube (Not available for 5/8" meters with flange) N = Insetter with Nuts Only No End pieces	1 = 5/8" 2 = 5/8" x 3/4" 3 = 3/4"	-- = Standard	A = 3/4" Port Angle Single Check Valve F = 3/4" Port Angle Dual Check Valve (ASSE 1024) G = Angle Lockwing Plug Valve K = 3/4" Port Angle Lockwing Ball Valve N = Flanged Tubing with Meter Nut Q = Standard Port Angle Lockwing Ball Valve Z = Brass Elbow	D = Double purpose union (Flare or FNPT) (3/4") F = FNPT union (1/2" or 1") L = Less nut or connection & nut (3/4") M = MNPT union (3/4", 1") S = Solder union (3/4" or 1") T = "T" CTS union (3/4", 1") 2 = "-22" CTS MacPak union (3/4" or 1") 3 = "-33" PEP MacPak union (3/4") 4 = "-44" PVC MacPak union (3/4") 5 = "-55" IP MacPak union (3/4")		1 = 1/2" 3 = 3/4" 4 = 1"

1" Meter Settings

To order "M" Style: Model No. **743-4----DD 44** above means:

743	-	4	--	INLET OUTLET --	INLET OUTLET DD		44
Series	Style	Meter Size	Meter Height	Inlet and Outlet Valves	Type of Connection Inlet and Outlet	Blank Space	Size Inlet & Outlet
743 "M" Style	- = Standard N = Insetter with nuts only no end pieces	4 = 1"	-- = Standard	A = 1" Port Angle Single Check Valve F = 3/4" Port Angle Dual Check Valve (ASSE 1024) G = Angle Lockwing Plug Valve K = 1" Port Angle Lockwing Ball Valve N = Flanged Tubing with Meter Nut P = 1" Port Angle Dual Check Valve (ASSE 1024) Q = Standard Port Angle Lockwing Ball Valve Z = Brass Elbow	D = Double purpose union (Flare or FNPT) (1") L = Less nut or connection & nut (1") G = "G" CTS union (1") M = MNPT Union (1" & 1 1/4") Q = "Q" CTS Union (1") S = Solder Union (1") T = "T" CTS Union (1") 2 = "-22" CTS MacPak Union (1")		4 = 1" 5 = 1 1/4"



OPTIONS

- Assemblies shipped with two meter gaskets.
- Insert stiffeners are required on all flexible plastic connections.
- **Not all combinations available, contact factory with your requirements.**
- **MOST METER SETTERS ARE MADE TO ORDER AND ARE NOT RETURNABLE.**
- Please verify with the factory that the model number you have configured is available and meets your requirements.

743 Series

FOR 5/8", 5/8" X 3/4", 3/4", OR 1" METERS

"M" Style - Double Purpose x Double Purpose

5/8" Meter Size	Carton PCS/WT	Price	5/8" x 3/4" Meter Size	Carton PCS/WT	Price	3/4" Meter Size	Carton PCS/WT	Price	1" Meter Size	Carton PCS/WT	Price
743-1----DD 33	5/18	\$ 111.06	743-2----DD 33	5/19	\$ 111.07	743-3----DD 33	5/18	\$ 120.95	743-4----DD 44	6/38	\$ 180.12

Inlet Option Adders (Price per end):

5/8", 5/8" x 3/4", or 3/4" Meters

Option	Size	List	Size	List
C - Copper flare union	3/4"	\$ 19.82	1"	\$ 35.72
D - Double Purpose (Flare or FNPT)	3/4"	N/C		
F - Female union	1/2"	\$ 10.27	1"	\$ 9.23
M - Male union	3/4"	N/C	1"	\$ 9.23
S - Solder union	3/4"	N/C	1"	\$ 4.79
T - "T" CTS union	3/4"	\$ 14.15	1"	\$ 30.96
2 - "-22" CTS union	3/4"	\$ 14.15	1"	\$ 30.96
3 - "-33" PEP union	3/4"	\$ 40.85		
4 - "-44" PVC union	3/4"	\$ 40.85		
5 - "-55" IP union	3/4"	\$ 40.85		

1" Meters

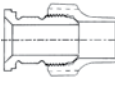
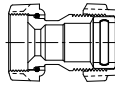
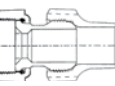
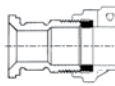

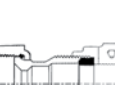

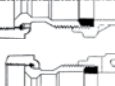
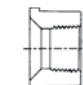




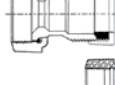





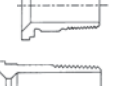


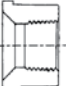
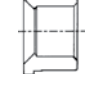





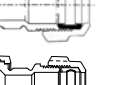







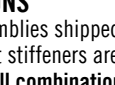

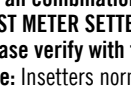
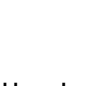

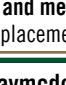

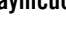
Option	Size	List
D - Double Purpose (Flare or FNPT)	1"	N/C
G - "G" CTS union	1"	N/C
M - Male union	1"	N/C
Q - "Q" CTS union	1"	N/C
S - Solder union	1"	N/C
T - "T" CTS union	1"	N/C
2 - "-22" CTS MacPak union	1"	N/C

Options		5/8"	5/8" x 3/4"	3/4"	1"
Ball Valve (add or subtract)	W for STP	\$ 61.80	\$ 61.80	\$ 61.80	\$ 124.02
	J for FP	\$ 112.86	\$ 112.86	\$ 112.86	\$ 170.02
Single poppet angle check valve		\$ 56.11	\$ 56.11	\$ 56.11	\$ 67.45
ASSE approved angle dual check valve	D for STP	\$ 112.97	\$ 112.97	\$ 112.97	\$ 107.14
	M for FP				\$ 196.08
Cascading Dual Check <i>Use "D X992" in model number</i>		\$ 103.09	\$ 103.09	\$ 103.09	\$ 107.15
Plug Valves - Use "L" in model number		\$ 50.86	\$ 50.86	\$ 50.86	\$ 77.98

STP = Standard FP = Full Port

Unions

5/8", 5/8" x 3/4", 3/4", or 1" | "M" Style
 Double Purpose x Double Purpose, Used with 743 and other Double Purpose Series Insetters

MODEL	DESCRIPTION	MODEL	DESCRIPTION
 720-3C3	3/4" Flare endpiece	 720-3Z3ASY	3/4" "3Q" PEP Comp endpiece with union nut & gasket
 720-3C3ASY	3/4" Flare endpiece with union nut & gasket	 720-323	3/4" "-22" CTS Comp endpiece
 720-3C4ASY	1" Flare endpiece with union nut & gasket	 720-323ASY	3/4" "-22" CTS Comp endpiece with union nut & gasket
 720-3F1	1/2" FNPT endpiece	 720-324ASY	1" "-22" CTS Comp endpiece with union nut & gasket
 720-3F4ASY	1" FNPT endpiece with union nut & gasket	 720-333ASY	3/4" "-33" PEP Comp endpiece with union nut & gasket
 720-3D3	3/4" Double Purpose endpiece Flare or FNPT	 720-343ASY	3/4" "-44" PVC Comp endpiece with union nut & gasket
 720-3D3ASY	3/4" Double Purpose endpiece Flare or FNPT with union nut & gasket	 720-353ASY	3/4" "-55" IP Comp endpiece with union nut & gasket
 720-3D4ASY	1" Double Purpose endpiece Flare or FNPT with union nut & gasket	 20N3	3/4" Union nut only
 720-3G3	3/4" "G" CTS Comp endpiece	 20G3	3/4" Double Purpose Gasket
 720-3G3ASY	3/4" "G" CTS Comp endpiece with union nut & gasket	1" Meters	
 720-3H3ASY	3/4" "H" CTS Comp endpiece with union nut & gasket	 20-4N	1" Union nut only
 720-3J3	3/4" C903* Comp endpiece	 720-4D4	1" Double purpose endpiece flare or FNPT (also used on 5/8" x 3/4", 3/4" meter sets with 1" Double purpose connection)
 720-3M3	3/4" MNPT endpiece	 720-4D4ASY	1" Double purpose endpiece flare or FNPT (also used on 5/8" x 3/4", 3/4" meter sets with 1" Double purpose connection) with union nut & gasket
 720-3M3ASY	3/4" MNPT endpiece with nut & gasket	 720-4J4	1" C903 endpiece
 720-3M4	1" MNPT endpiece	 720-4J4ASY	1" C903 endpiece with union nut & gasket
 720-3M4ASY	1" MNPT endpiece with nut & gasket	 720-4M4	1" MNPT endpiece
 720-3S3	3/4" Solder endpiece	 720-4M4ASY	1" MNPT endpiece with union nut & gasket
 720-3S3ASY	3/4" Solder endpiece with union nut & gasket	 720-4M5	1 1/4" MNPT endpiece
 720-3S4	1" Solder endpiece	 720-4M5ASY	1 1/4" MNPT endpiece with union nut & gasket
 720-3S4ASY	1" Solder endpiece with union nut & gasket	 720-4Q4	1" "Q" CTS endpiece
 720-3Q3	3/4" "Q" CTS Comp endpiece	 720-4Q4ASY	1" "Q" CTS endpiece with union nut & gasket
 720-3Q3ASY	3/4" "Q" CTS Comp endpiece with union nut & gasket	 720-4S4	1" Solder endpiece
 720-3T3	3/4" "T" CTS Comp endpiece	 720-4S4ASY	1" Solder endpiece with union nut & gasket
720-3T3ASY	3/4" "T" CTS Comp endpiece with union nut & gasket	720-4T4	1" "T" CTS endpiece
720-3T4ASY	1" "T" CTS Comp endpiece with union nut & gasket	720-424ASY	1" "T" CTS endpiece with union nut & gasket
		20G4	1" Double purpose gaskets

OPTIONS

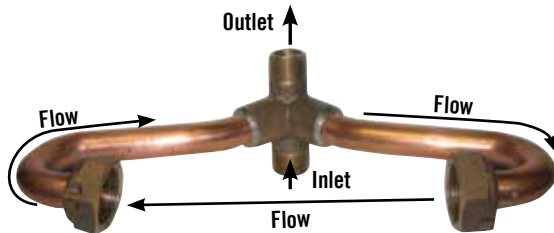
- Assemblies shipped with two meter gaskets.
- Insert stiffeners are required on all flexible plastic connections.
- **Not all combinations available, contact factory with your requirements.**
- **MOST METER SETTERS ARE MADE TO ORDER AND ARE NOT RETURNABLE.**
- **Please verify with the factory that the model number you have configured is available and meets your requirements.**
- **Note:** Insetters normally supplied with end connections. The table above is for ordering replacement couplings.

744 SERIES

5/8", 5/8" x 3/4", 3/4", or 1" | "PU" Style | Less Valves
 MNPT Thread x MNPT Thread

The A.Y. McDonald 744 series "PU Style" meter inside setting offers integral Male Iron Pipe Thread inlet and outlet end connection configurations with additional options for shut off or check valves.

To order "PU" Style: Model No. **744-2** means:

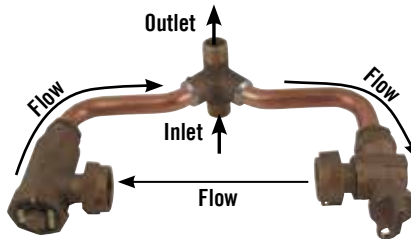


744	-	2
Series 744	Style - = Standard Q = PU style setter with K style tube in left hand configuration see page 361 X = PU style setter with K style tube in right hand configuration	Meter Size 1 = 5/8" - 3/4" MNPT Integral 2 = 5/8" x 3/4" - 3/4" MNPT Integral 3 = 3/4" - 3/4" MNPT Integral 4 = 1" - 1" MNPT Integral

5/8" Meter Size	Carton PCS/WT	Price	5/8" x 3/4" Meter Size	Carton PCS/WT	Price	3/4" Meter Size	Carton PCS/WT	Price	1" Meter Size	Carton PCS/WT	Price
744-1	8/20	\$ 71.14	744-2	8/16	\$ 76.54	744-3	8/21	\$ 93.10	744-4	4/18	\$ 218.83

Meter Settings with Integral Valves

Series 744 - with Angle Ball Valve and Angle Dual Check Valve



To order "PU" Style: Model No. **744-2--QF** above means:

744	-	2	--	QF
Series 744	Style - = Standard Q = PU style setter with K style tubes, see page 361. X = PU style setter with K style tube in right hand configuration	Meter Size 1 = 5/8" 2 = 5/8" x 3/4" 3 = 3/4" 4 = 1"	Meter Height -- = Standard	INLET OUTLET Inlet and Outlet Valves A = 3/4" & 1" Port Angle Single Check Valve F = 3/4" Port Angle Dual Check Valve (ASSE 1024) G = Angle Lockwing Plug Valve K = 3/4" & 1" Port Angle Lockwing Ball Valve N = Flanged Tubing with Meter Nut P = 1" Port Angle Dual Check Valve (ASSE 1024) For 1" only Q = Standard Port Angle Lockwing Ball Valve Z = Brass Elbow

OPTIONS

- Assemblies shipped with two meter gaskets.
- Inlet / Outlet Options: MNPT Thread x MNPT Thread.
- Insert stiffeners are required on all flexible plastic connections.
- **Not all combinations available, contact factory with your requirements.**
- **MOST METER SETTERS ARE MADE TO ORDER AND ARE NOT RETURNABLE.**
- **Please verify with the factory that the model number you have configured is available and meets your requirements.**

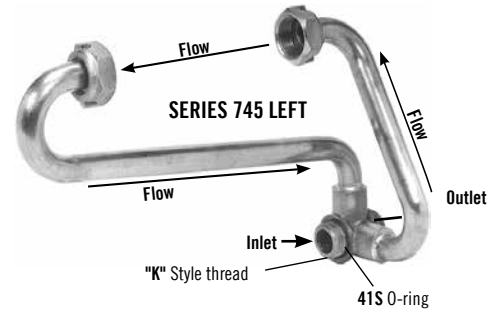
745 Series

5/8", 5/8" x 3/4", 3/4", or 1" | "PZ" Style - Left Offset | Less Valves

The A.Y. McDonald 745 series "PZ Style" meter inside setting offers left offset configuration for confined space installations along with additional options for shut off or check valves. Cut in style end connections are available to connect to varying service line materials. The special inlet and outlet thread and o-ring seal combination offers quick, leak free connections.

To order "PZ" Style: Model No. **745-2** above means:

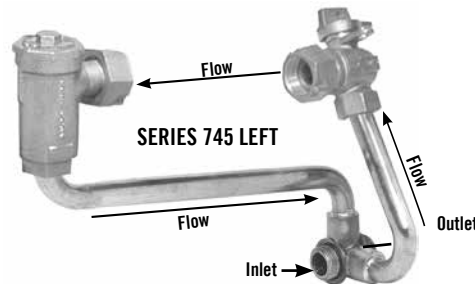
745	-	2
Series	Style	Meter Size
745	-- = Standard	1 = 5/8" "K" Thread 2 = 5/8" x 3/4" "K" Thread 3 = 3/4" "K" Thread 4 = 1" (1 1/4" MNPT In/Out)



For 5/8", 5/8" x 3/4", 3/4", 1 1/4" MNPT

5/8" Meter Size	Carton PCS/WT	Price	5/8" x 3/4" Meter Size	Carton PCS/WT	Price	3/4" Meter Size	Carton PCS/WT	Price	1" Meter Size	Carton PCS/WT	Price
745-1	6/17	\$ 88.21	745-2	6/18	\$ 97.51	745-3	6/26	\$ 105.42	745-4	6/38	\$ 187.94

Meter Settings with Integral Valves



To order "PZ" Style: Model No. **745-2--QF** above means:

745	-	2	--	QF
Series	Style	Meter Size	Meter Height	Inlet and Outlet Valves
745	-- = Standard	1 = 5/8" "K" Thread 2 = 5/8" x 3/4" "K" Thread 3 = 3/4" "K" Thread 4 = 1" (1 1/4" MNPT In/Out)	-- = Standard	INLET OUTLET

- A** = 3/4" & 1" Port Angle Single Check Valve
- F** = 3/4" Port Angle Dual Check Valve (ASSE 1024)
- G** = Angle Lockwing Plug Valve
- K** = 3/4" & 1" Port Angle Lockwing Ball Valve
- N** = Flanged Tubing with Meter Nut
- P** = 1" Port Angle Dual Check Valve (ASSE 1024) For 1" only
- Q** = Standard Port Angle Lockwing Ball Valve
- Z** = Brass Elbow

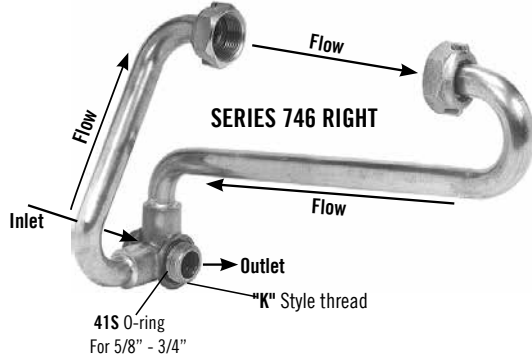
OPTIONS

- Assemblies shipped with two meter gaskets.
- Insert stiffeners are required on all flexible plastic connections.
- Valves and Compression assemblies ordered separately.
- Inline dual check backflow valves available for 5/8", 5/8" x 3/4" and 3/4" "PZ" style insetters..
- **Not all combinations available, contact factory with your requirements.**
- **MOST METER SETTERS ARE MADE TO ORDER AND ARE NOT RETURNABLE.**
- **Please verify with the factory that the model number you have configured is available and meets your requirements.**

746 Series

5/8", 5/8" x 3/4", or 1" | "PZ" Style - Right Offset | Less Valves

The A.Y. McDonald 746 series "PZ Style" meter inside setting offers right offset configuration for confined space installations along with additional options for shut off or check valves. Cut in style end connections are available to connect to varying service line materials. The special inlet and outlet thread and o-ring seal combination offers quick, leak free connections.

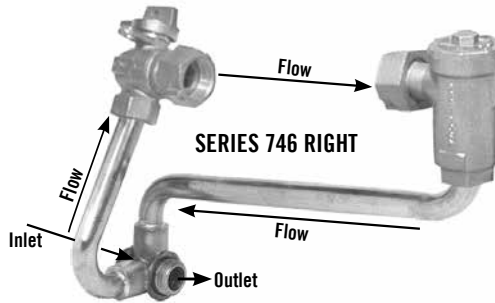


To order "PZ" Style: Model No. **746-2** above means:

746	-	2
Series 746	Style - = Standard	Meter Size 1 = 5/8" "K" Thread 2 = 5/8" x 3/4" "K" Thread 3 = 3/4" "K" Thread 4 = 1" (1 1/4" MNPT In/Out)

5/8" Meter Size	Carton PCS/WT	Price	5/8" x 3/4" Meter Size	Carton PCS/WT	Price	3/4" Meter Size	Carton PCS/WT	Price	1" Meter Size	Carton PCS/WT	Price
746-1	6/17	\$ 88.21	746-2	6/18	\$ 97.51	746-3	6/26	\$ 105.42	746-4	6/38	\$ 223.26

Meter Settings with Integral Valves



To order "PZ" Style: Model No. **746-2--QF** above means:

746	-	2	--	QF
Series 746	Style - = Standard	Meter Size 1 = 5/8" "K" Thread 2 = 5/8" x 3/4" "K" Thread 3 = 3/4" "K" Thread 4 = 1" (1 1/4" MNPT In/Out)	Meter Height -- = Standard	Inlet and Outlet Valves A = 3/4" & 1" Port Angle Single Check Valve F = 3/4" Port Angle Dual Check Valve (ASSE 1024) G = Angle Lockwing Plug Valve K = 3/4" & 1" Port Angle Lockwing Ball Valve N = Flanged Tubing with Meter Nut P = 1" Port Angle Dual Check Valve (ASSE 1024) For 1" only Q = Standard Port Angle Lockwing Ball Valve Z = Brass Elbow

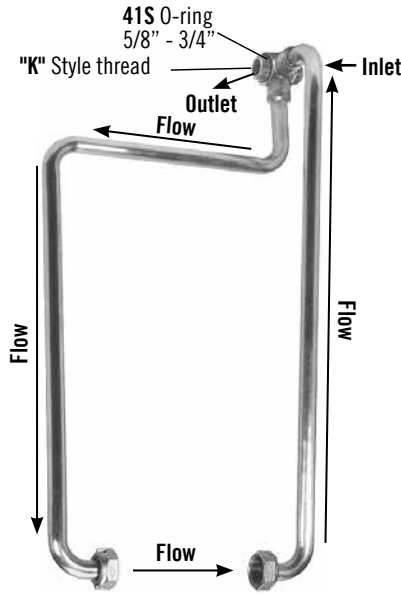
OPTIONS

- Assemblies shipped with two meter gaskets.
- Insert stiffeners are required on all flexible plastic connections.
- Valves and Compression assemblies ordered separately.
- Inline dual check backflow valves available for 5/8", 5/8" x 3/4" and 3/4" "PZ" style insetters.
- **Not all combinations available, contact factory with your requirements.**
- **MOST METER SETTERS ARE MADE TO ORDER AND ARE NOT RETURNABLE.**
- Please verify with the factory that the model number you have configured is available and meets your requirements.

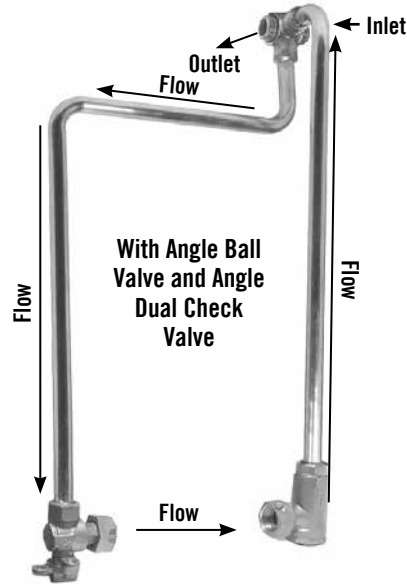
747 Series

5/8", 5/8" x 3/4", 3/4", or 1" | "D" Style

The A.Y. McDonald 747 series "D Style" meter inside setting aligns meter with piping in water lines that are near the ceiling with additional options for adding shut off or check valves. Cut in style end connections are available to connect to varying service line materials. The special inlet and outlet thread and o-ring seal combination offers quick, leak free connections 5/8", 5/8" x 3/4" or 3/4" only.



SERIES 747 MODEL "A"
Model Number Example
747 - 224



SERIES 747 MODEL "A"
Model Number Example
747 - 224QF

To order "D" Style: Model No. **747-224QF** means:

747

Series
747

-

Style
- = Standard

2

Meter Size
1 = 5/8" "K" Thread
2 = 5/8" x 3/4" "K" Thread
3 = 3/4" "K" Thread
4 = 1" (1 1/4" MNPT In/Out)

24

Meter Drop
18
21
24
27
30
33
36

INLET OUTLET

QF

Inlet and Outlet Valves
A = 3/4" & 1" Port Angle Single Check Valve
F = 3/4" Port Angle Dual Check Valve (ASSE 1024)
G = Angle Lockwing Plug Valve
K = 3/4" & 1" Port Angle Lockwing Ball Valve
N = Flanged Tubing with Meter Nut
P = 1" Port Angle Dual Check Valve (ASSE 1024) For 1" only
Q = Standard Port Angle Lockwing Ball Valve
Z = Brass Elbow

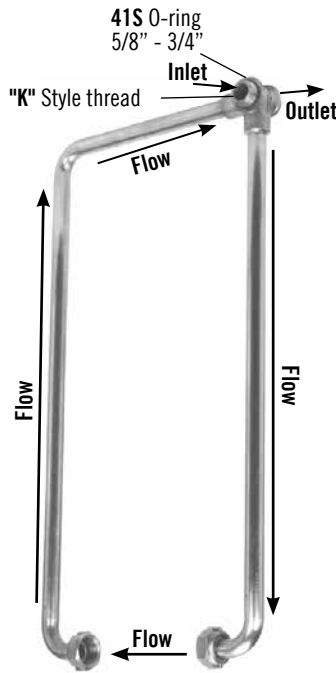
OPTIONS

- Assemblies shipped with two meter gaskets.
- Insert stiffeners are required on all flexible plastic connections.
- Valves and Compression assemblies ordered separately.
- For angle ball valves and/or angle dual check valves integral to the insetting, contact factory.
- Inline dual check backflow valves available for 5/8", 5/8" x 3/4" and 3/4" "D" style insetters.
- **Not all combinations available, contact factory with your requirements.**
- **MOST METER SETTERS ARE MADE TO ORDER AND ARE NOT RETURNABLE.**
- **Please verify with the factory that the model number you have configured is available and meets your requirements.**

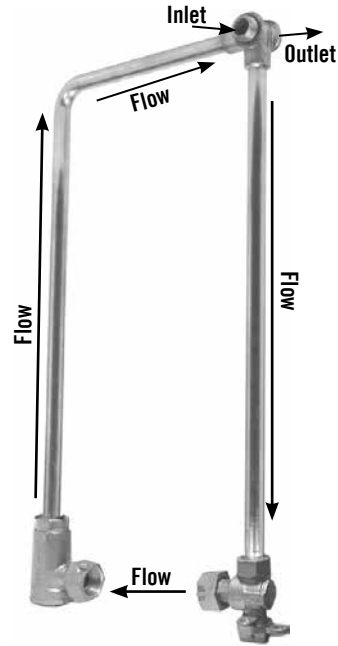
748 Series

5/8", 5/8" x 3/4", 3/4", or 1" | "D" Style

The A.Y. McDonald 748 series "D Style" meter inside setting sets meter at a right angle to the piping in water lines that are near the ceiling with additional options for adding shut off or check valves. Cut in style end connections are available to connect to varying service line materials. The special inlet and outlet thread and o-ring seal combination offers quick, leak free connections 5/8", 5/8" x 3/4" or 3/4" only.



SERIES 748 MODEL "A"
Model Number Example
748 – 224



SERIES 748 MODEL "A"
Model Number Example
748 – 224QF

To order "D" Style: Model No. **748-224QF** means:

748	-	2	24	QF
Series	Style	Meter Size	Meter Drop	Inlet and Outlet Valves
748	-- = Standard	1 = 5/8" "K" Thread 2 = 5/8" x 3/4" "K" Thread 3 = 3/4" "K" Thread 4 = 1" (1 1/4" MNPT In/Out)	18 21 24 27 30 33 36	INLET OUTLET A = 3/4" & 1" Port Angle Single Check Valve F = 3/4" Port Angle Dual Check Valve (ASSE 1024) G = Angle Lockwing Plug Valve K = 3/4" & 1" Port Angle Lockwing Ball Valve N = Flanged Tubing with Meter Nut P = 1" Port Angle Dual Check Valve (ASSE 1024) For 1" only Q = Standard Port Angle Lockwing Ball Valve Z = Brass Elbow

OPTIONS

- Assemblies shipped with two meter gaskets.
- Insert stiffeners are required on all flexible plastic connections.
- Valves and Compression assemblies ordered separately.
- For angle ball valves and/or angle dual check valves integral to the insetter, contact factory.
- Inline dual check backflow valves available for 5/8", 5/8" x 3/4" and 3/4" "D" style insetters.
- **Not all combinations available, contact factory with your requirements.**
- **MOST METER SETTERS ARE MADE TO ORDER AND ARE NOT RETURNABLE.**
- **Please verify with the factory that the model number you have configured is available and meets your requirements.**

747 & 748 Series

FOR 5/8", 5/8" X 3/4", 3/4", OR 1" METERS (18" DROP)

"K" Thread x "K" Thread - 5/8", 5/8" x 3/4", 3/4" Meter, 1 1/4" MNPT x 1 1/4" MNPT - 1" Meter

5/8" Meter Size	Price
747-1	\$ 127.17
748-1	\$ 113.31

5/8" x 3/4" Meter Size	Price
747-2	\$ 131.93
748-2	\$ 118.04

3/4" Meter Size	Price
747-3	\$ 135.91
748-3	\$ 121.72

1" Meter Size	Price
747-4	\$ 267.32
748-4	\$ 246.69

- For valves and Compression assemblies see below
- For package quantities and weights, contact factory

- For each additional 3" drop (Cover 18")
add \$ 7.68 list for 5/8" and 5/8" x 3/4"; 3/4"
add \$ 11.70 list for 1"

Options		5/8"	5/8" x 3/4"	3/4"	1"
Ball Valve (add or subtract)	W for STP	\$ 61.80	\$ 61.80	\$ 61.80	\$ 124.02
	J for FP	\$ 112.86	\$ 112.86	\$ 112.86	\$ 170.02
Single poppet angle check valve		\$ 56.11	\$ 56.11	\$ 56.11	\$ 67.45
ASSE approved angle dual check valve	D for STP	\$ 112.97	\$ 112.97	\$ 112.97	\$ 107.14
	M for FP				\$ 196.08
Cascading Dual Check <i>Use "D X992" in model number</i>		\$ 103.09	\$ 103.09	\$ 103.09	\$ 107.15
Plug Valves - Use "L" in model number		\$ 50.86	\$ 50.86	\$ 50.86	\$ 77.98

STP = Standard FP = Full Port

749 Series - Inline Tandem

5/8", 5/8" x 3/4" or 3/4" | "W" Style

The A.Y. McDonald 749 series "W Style" meter inside tandem setting offers integral Male Iron Pipe Thread inlet and outlet end connections that accept a variety of female couplings or valves with additional options for shut off or check valves plumbed into the tubing to accept inline, a meter and a pressure regulating device. Please supply device length and end connection configuration when ordering.



Model Number Example
749 - 2 17 3/4

To order "W" Style: Model No. **749-2 17 3/4** means:

749	-	2	 	17 3/4
Series 749 "W" Style	Style -- = Standard D = 7/8" tube (Not available for 5/8" meters with flange)	Meter Size 1 = 5/8" - 3/4" MNPT Inlet/Outlet 2 = 5/8" x 3/4" - 3/4" MNPT Inlet/Outlet 3 = 3/4" - 3/4" MNPT Inlet/Outlet	Space -- = with integral valves	Spread Between Flanges



Model Number Example
749 - 2 --QF x16.83

To order "W" Style: Model No. **749-2--QF x16.83** means:

749	-	2	--	QF	 	x16.83
Series 749 "W" Style	Style -- = Standard D = 7/8" tube (Not available for 5/8" meters with flange)	Meter Size 1 = 5/8" - 3/4" MNPT Inlet/Outlet 2 = 5/8" x 3/4" - 3/4" MNPT Inlet/Outlet 3 = 3/4" - 3/4" MNPT Inlet/Outlet	Space -- = with integral valves	Inlet and Outlet Valves A = 3/4" Port Angle Single Check Valve F = 3/4" Port Angle Dual Check Valve (ASSE 1024) G = Angle Lockwing Plug Valve K = 3/4" & Port Angle Lockwing Ball Valve N = Flanged Tubing with Meter Nut Q = Standard Port Angle Lockwing Ball Valve Z = Brass Elbow	Blank Space	Spread Between Flanges

OPTIONS

- Assemblies shipped with three meter gaskets.
- Insert stiffeners are required on all flexible plastic connections.
- For setting meter and FNPT x FNPT device.
- Includes 74619 and 74620 adapters.
- Other spreads available, contact factory.
- **Not all combinations available, contact factory with your requirements.**
- **MOST METER SETTERS ARE MADE TO ORDER AND ARE NOT RETURNABLE.**
- Please verify with the factory that the model number you have configured is available and meets your requirements.

Model	Meter Size	Spread	Device Length
749-1	5/8"	17 3/4"	6 1/4"
749-2	5/8" x 3/4"	17 3/4"	6 1/4"
749-3	3/4"	19 1/4"	6 1/4"

749 Series

FOR 5/8", 5/8" X 3/4", 3/4", OR 1" METERS

"M" Style MNPT

5/8" Meter				5/8" x 3/4" Meter				3/4" Meter			
Size	Length	Carton PCS/WT	Price	Size	Length	Carton PCS/WT	Price	Size	Length	Carton PCS/WT	Price
749-1	Contact	6/38	\$ 181.76	749-2	14 7/8"	6/22	\$ 181.76	749-3	Contact	6/19	\$ 187.94
	Factory			749-2	17"	6/22	\$ 181.76		Factory		
				749-2	17 3/8"	6/23	\$ 181.76				
				749-2	17 3/4"	6/23	\$ 181.76				
				749-2	19 5/8"	6/23	\$ 181.76				

Options		5/8"	5/8" x 3/4"	3/4"
Ball Valve (add or subtract)	Q for STP	\$ 61.80	\$ 61.80	\$ 61.80
	K for FP	\$ 112.86	\$ 112.86	\$ 112.86
Single poppet angle check valve		\$ 56.11	\$ 56.11	\$ 56.11
ASSE approved angle dual check valve	F for STP	\$ 112.97	\$ 112.97	\$ 112.97
Cascading Dual Check		\$ 103.09	\$ 103.09	\$ 103.09
<i>Use "D X992" in model number</i>				
Plug Valves - Use "G" in model number		\$ 50.86	\$ 50.86	\$ 50.86

STP = Standard FP = Full Port



Pit Setters



Pit Setters

Water Works Catalog / Price List - July 2017

MORE THAN A BRAND. WE'RE A FAMILY.

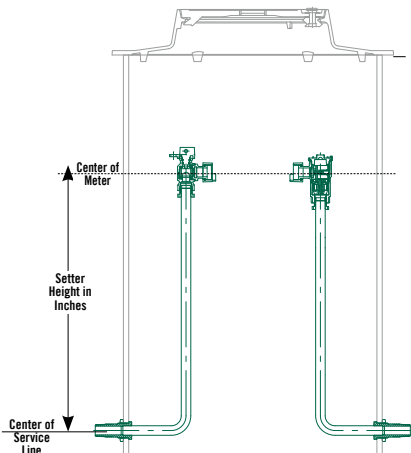
715 & 716 Series - Single, Dual & Tandem

Risers Only for 5/8" to 1" Threaded Meters

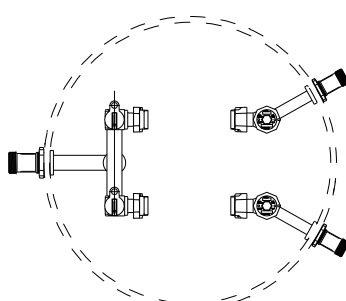
The A.Y. McDonald 715 series meter setter is designed for installation into your pit shell. Using your specific design criteria, the 715 series will provide the internal meter setting with valves, risers, and connections you call for. Pit diameter, wall thickness, and service line bury should be carefully considered when ordering the 715 series meter setter. Typical meter depth from the surface, or grade level, is 14", however you are in control when you apply this setter.

The frame and cover selection for this setting will also affect the overall height of the 715 series. As these castings will alter the distance from grade level to centerline of installed meter, and top of meter pit. For assistance in designing your 715 series meter pit, we recommend you review the 780 series complete meter pit assemblies in this brochure or contact our customer service department.

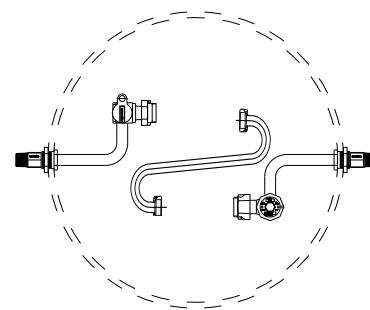
Typical 715 Series Installation



Brass and Copper ONLY - PVC Pit, brace, frame & cover not included.



715 Series - Dual



716 Series - Tandem

NOTES - All cast brass meets latest revision of AWWA C800.

Example: Model 715-236WCPP 33X18

1	2	3	4	5	6	7	8	9	10	11	12	13
715	-	2	36	W	C	P	P		3	3	X	18
Series Number	Dash Standard	Meter Size	Height	Meter Connections		Service Line Connection		SPACE	Size of Service Line Connection			Pit Diameter
715 = Single Meter Pit (standard)/Dual 716 = Tandem		6" minimum Available in 3" increments 1 = 5/8" 2 = 5/8" x 3/4" 3 = 3/4" 4 = 1"		Series 715 Meter Inlet W = Lockwing ball valve (standard) L = Plug valve X = No valve-meter nut Meter Outlet C = Single check valve D = Dual check valve L = Plug valve W = Lockwing ball valve X = No valve-meter nut		Bottom Inlet and Outlet Configuration P = Male iron pipe standard 2 = -22 CTS T = T CTS Other options available, contact factory.			Inlet and Outlet Connection 3 = 3/4" 4 = 1"			18 = 5/8" or 5/8" x 3/4" 21 = 3/4" or 1" 24 = As Required For the following pit configurations/diameters, Contact Factory: 5/8" Tandem/Dual 5/8" x 3/4" Tandem/Dual 3/4" Tandem/Dual 1" Tandem/Dual

Series 716 - Tandem

- A = Angle Single Check Valve
- F = Angle Dual Check Valve (ASSE 1024)
- N = No Valve - Meter Nut (Standard on outlet)
- Q = Lockwing Ball Valve

NOTE: Unless specified all tandem components have meter nuts without saddles.

For Tandem Series



Example 716-236QAPP 33 X 21

Tandem setters are supplied with adapters and "S" tube. Please specify device length and threads when ordering.

Standard Tandem Device Lay Lengths (FNPT x FNPT) -

- 4" - 5" - 5/8" & 5/8" x 3/4"
- 3/4" Meters
- 5" - 6" - 1" Meters

715 & 716 Series - Single, Dual & Tandem

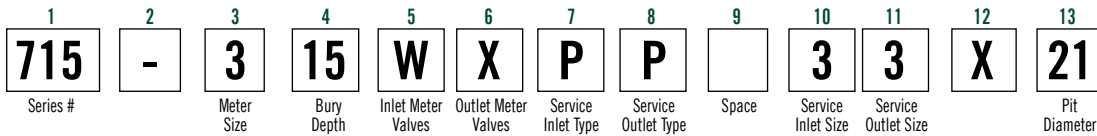
Risers Only for 5/8" to 1" Threaded Meters

Standard Meter Lay Lengths -

- 7.5" - 5/8" Meters
- 7.5" - 5/8" x 3/4" Meters
- 9" - 3/4" Meters
- 10.75" - 1" Meters

Standard Tandem Device Lay Lengths (FNPT x FNPT) -

- 4" - 5" - 5/8" & 5/8" x 3/4", 3/4" Meters
- 5" - 6" - 1" Meters



Step #1 - Choose your base pit setter

715 Series

Single Meter Pit Brass (Standard Port)

Base Model #	Meter Size	Inlet Meter Valve	Outlet Meter Valve	Service Inlet & Outlet	Pit Diameter	Base Price
715-115WXPP 33X18	5/8"	Standard Port Ball Valve	Meter Nut	3/4" MNPT	18"	\$ 302.20
715-115WXPP 33X20	5/8"	Standard Port Ball Valve	Meter Nut	3/4" MNPT	20"	\$ 308.31
715-115WXPP 33X21	5/8"	Standard Port Ball Valve	Meter Nut	3/4" MNPT	21"	\$ 308.31
715-215WXPP 33X18	5/8" x 3/4"	Standard Port Ball Valve	Meter Nut	3/4" MNPT	18"	\$ 302.20
715-215WXPP 33X20	5/8" x 3/4"	Standard Port Ball Valve	Meter Nut	3/4" MNPT	20"	\$ 308.31
715-215WXPP 33X21	5/8" x 3/4"	Standard Port Ball Valve	Meter Nut	3/4" MNPT	21"	\$ 308.31
715-315WXPP 33X20	3/4"	Standard Port Ball Valve	Meter Nut	3/4" MNPT	20"	\$ 317.10
715-315WXPP 33X21	3/4"	Standard Port Ball Valve	Meter Nut	3/4" MNPT	21"	\$ 317.10
715-415WXPP 44X20	1"	Standard Port Ball Valve	Meter Nut	1" MNPT	20"	\$ 485.02
715-415WXPP 44X21	1"	Standard Port Ball Valve	Meter Nut	1" MNPT	21"	\$ 485.02

716 Series

Tandem Meter Pit Brass (Standard Port)

Base Model #	Meter Size	Inlet Meter Valve	Outlet Meter Valve	Service Inlet & Outlet	Pit Diameter	Base Price
716-115WXPP 33X18	5/8"	Standard Port Ball Valve	Meter Nut	3/4" MNPT	18"	\$ 396.87
716-115WXPP 33X20	5/8"	Standard Port Ball Valve	Meter Nut	3/4" MNPT	20"	\$ 402.97
716-115WXPP 33X21	5/8"	Standard Port Ball Valve	Meter Nut	3/4" MNPT	21"	\$ 402.97
716-215WXPP 33X18	5/8" x 3/4"	Standard Port Ball Valve	Meter Nut	3/4" MNPT	18"	\$ 396.87
716-215WXPP 33X20	5/8" x 3/4"	Standard Port Ball Valve	Meter Nut	3/4" MNPT	20"	\$ 402.97
716-215WXPP 33X21	5/8" x 3/4"	Standard Port Ball Valve	Meter Nut	3/4" MNPT	21"	\$ 402.97
716-315WXPP 33X20	3/4"	Standard Port Ball Valve	Meter Nut	3/4" MNPT	20"	\$ 411.77
716-315WXPP 33X21	3/4"	Standard Port Ball Valve	Meter Nut	3/4" MNPT	21"	\$ 411.77
716-415WXPP 44X20	1"	Standard Port Ball Valve	Meter Nut	1" MNPT	20"	\$ 601.06
716-415WXPP 44X21	1"	Standard Port Ball Valve	Meter Nut	1" MNPT	21"	\$ 601.06

715 Series

Dual Meter Pit Brass (Standard Port) - **Contact the factory for Model # & Pricing**

715 & 716 Series - Single, Dual & Tandem

Risers Only for 5/8" to 1" Threaded Meters

Step #2 - Choose Your Bury Depth

Note: Contact the Factory for additional depth & diameter configurations

List Price Adders:

Height	Model # Slot 4	5/8" Meter	5/8" x 3/4" Meter	3/4" Meter	1" Meter
18"	18	\$ 6.46	\$ 6.46	\$ 6.46	\$ 8.02
21"	21	\$ 12.93	\$ 12.93	\$ 12.93	\$ 16.04
24"	24	\$ 19.39	\$ 19.39	\$ 19.39	\$ 24.07
27"	27	\$ 25.85	\$ 25.85	\$ 25.85	\$ 32.09
30"	30	\$ 32.32	\$ 32.32	\$ 32.32	\$ 40.11
33"	33	\$ 38.78	\$ 38.78	\$ 38.78	\$ 48.13
36"	36	\$ 45.25	\$ 45.25	\$ 45.25	\$ 56.16
39"	39	\$ 51.71	\$ 51.71	\$ 51.71	\$ 64.18
42"	42	\$ 58.17	\$ 58.17	\$ 58.17	\$ 72.20
45"	45	\$ 64.64	\$ 64.64	\$ 64.64	\$ 80.22
48"	48	\$ 71.10	\$ 71.10	\$ 71.10	\$ 88.25
51"	51	\$ 77.56	\$ 77.56	\$ 77.56	\$ 96.27
54"	54	\$ 84.03	\$ 84.03	\$ 84.03	\$ 104.29
57"	57	\$ 90.49	\$ 90.49	\$ 90.49	\$ 112.31
60"	60	\$ 96.96	\$ 96.96	\$ 96.96	\$ 120.34

Step #3 - Choose Your Meter Valves

Note: add for each Valve added to Pit Setter AND subtract the ball valve if removed from Pit Setter

List Price Adders:

Meter Inlet & Outlet	Model # Slot 5 14	5/8" Meter	5/8" x 3/4" Meter	3/4" Meter	1" Meter
Meter Nut	X	\$ 0.00	\$ 0.00	\$ 0.00	\$ 0.00
Brass Elbow	Z	\$ 22.39	\$ 27.60	\$ 27.60	\$ 40.60
Lockwing Plug Valve	L	\$ 47.47	\$ 50.84	\$ 50.84	\$ 77.95
Lockwing Ball Valve	W	\$ 58.87	\$ 61.84	\$ 61.84	\$ 124.02
Lockwing Full Port Ball Valve	J	\$ 111.35	\$ 112.83	\$ 112.83	\$ 170.02
Single Check	C	\$ 56.12	\$ 56.12	\$ 56.12	\$ 67.41
Cascading Dual Check	D X992	\$ 103.12	\$ 103.12	\$ 103.12	\$ 107.19
Dual Check	D	\$ 113.00	\$ 113.00	\$ 113.00	\$ 128.23
1" Port Angle Dual Check	M	N/A	N/A	N/A	\$ 196.09

Step #4 - Choose Your Service Inlet & Outlet Connections

Note: A 74754 Female Adapter can be used to convert to other types of pipe on page 174

Price below is per side

List Price Adders:

Service Inlet & Outlet	Model # Slot 7 & 8 10 & 11	5/8" & 5/8" x 3/4" Meter	3/4" Meter	1" Meter
3/4" Male Iron Pipe	PP 33	\$ 0.00	\$ 0.00	N/A
1" Male Iron Pipe	PP 44	Contact Factory	Contact Factory	\$ 0.00

Step #5 - Add for Specials

Contact the factory

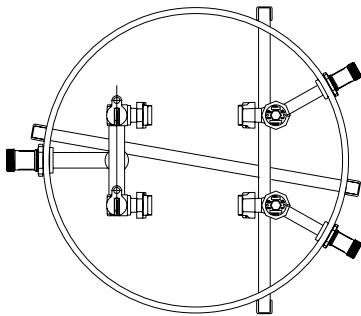
780 Series - Riser Style Pit Assembly

FOR 5/8" TO 1" THREADED METERS

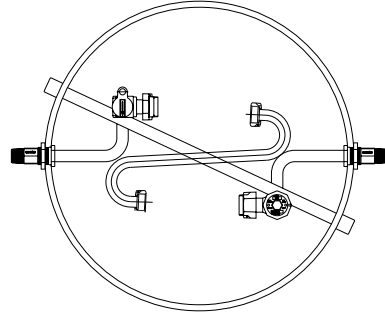
A.Y. McDonald Mfg. Co. offers a quick and easy way to install your water meter. The series 780 for threaded meters is delivered completely assembled, is fully tested prior to leaving the factory, built to your specifications, and is set into service as a unit. This unit can be installed in minutes.

The 780 series assembly includes a smooth wall PVC shell, risers, and meter valves. Various service line connection styles are available or sold separately. Also taken into consideration when sizing the series 780 pit assembly is the service line depth and the wide range of covers available and sold separately.

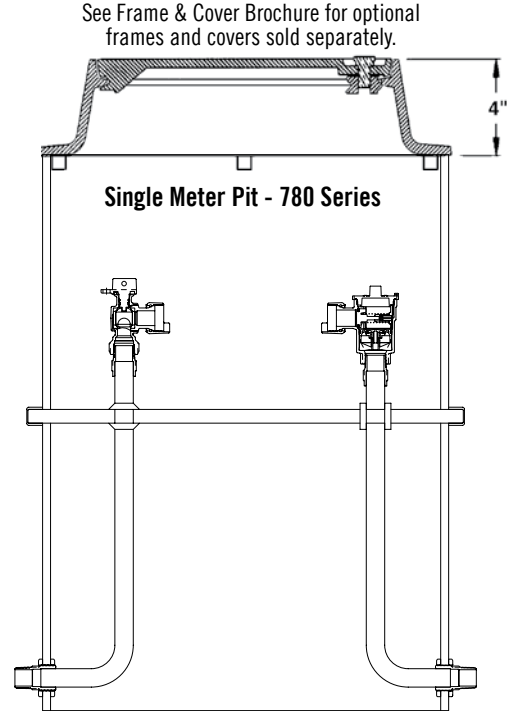
Pit Setters



Dual Meter Pit 781 Series



Tandem Meter Pit 782 Series



80-EXT - Pit Extensions



80-EXT - Sizes

Size	Price	Size	Price	Size	Price
18" x 03"	\$ 50.43	21" x 03"	\$ 54.63	24" x 03"	\$ 61.63
18" x 06"	\$ 64.43	21" x 06"	\$ 75.64	24" x 06"	\$ 88.25
18" x 09"	\$ 78.44	21" x 09"	\$ 96.65	24" x 09"	\$ 114.85
18" x 12"	\$ 92.44	21" x 12"	\$ 117.64	24" x 12"	\$ 141.46
		21" x 15"	\$ 138.65		
		21" x 18"	\$ 159.65		

80-C2 - Insulation Cushion

Sizes	Price
18" x 2.00	\$ 85.19
20" x 2.00	\$ 88.86
21" x 2.00	\$ 88.86
24" x 2.00	\$ 106.87
36" x 2.00	\$ 241.08



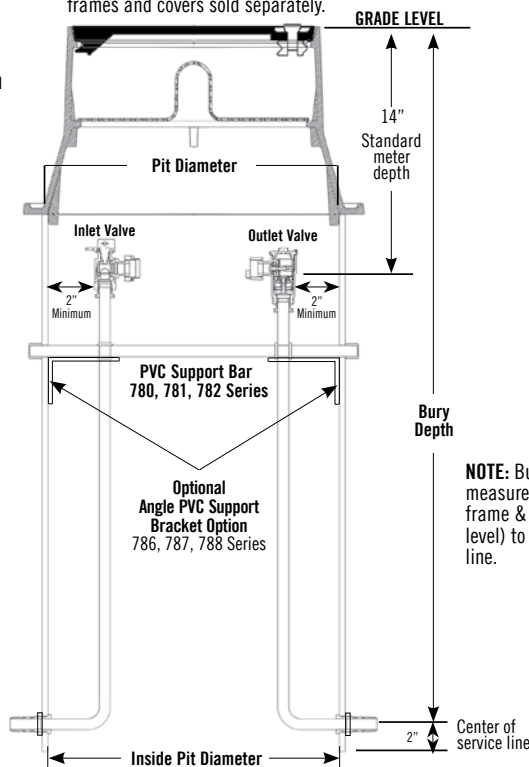
NOTES

- The centerline of the service line connections are positioned 2" above the bottom of the pit.
- The centerline of the meter will be 14" below grade level.
- A PVC support cross tube is tied to the copper tube risers and permanently attached to the pit walls.
- Cast brass jam nuts installed to secure riser tubes to exterior of the PVC frame.
- Recommend minimum 2" clearance between the pit wall and any part of the setting to prevent frost jump.
- Cast iron frame, and cover, inner lid, or insulating options are provided independently of pit setter.
- All cast brass meets latest revision of AWWA C800.
- All pipe, valves, and fittings associated with the PVC pit setter shall be factory assembled and tested.
- Use 782 series for installation with secondary device such as pressure regulators or other service line connections.

780 Series - Riser Style Pit Assembly

See Frame & Cover Brochure for optional frames and covers sold separately.

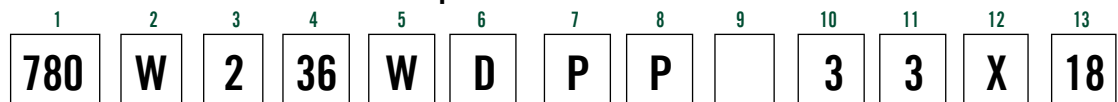
780 "W" Model shown



NOTE: Bury depth is measured from top of frame & cover (grade level) to center of service line.

Following is a general guide to the A.Y. McDonald Mfg. Co. Riser Style Pit Setter model numbering system.

Example: Model 780W236WDPP 33X18



- | | | | | | | | |
|---|--|---|--|--|--|--|---|
| Series Number | Dash | Meter Size | Bury Depth | Meter Connections | Service Line Connection | Size of Service Line Connection | Pit Diameter |
| 780 = Single Meter Pit (standard)
781 = Dual Meter Pit
782 = Tandem Meter Pit | - = Standard (single lid) 4" deep
W = Double lid 9 1/2" | 1 = 5/8"
2 = 5/8" x 3/4"
3 = 3/4"
4 = 1" | 24" minimum Available in 6" increments | Series 780 Meter Inlet
W = Lockwing ball valve
L = Plug valve
X = No valve-meter nut

Meter Outlet
C = Single check valve
D = Dual check valve
L = Plug valve
W = Lockwing ball valve
X = No valve-meter nut | Bottom Inlet and Outlet Configuration
P = Male iron pipe standard
2 = -22 CTS
T = T CTS
Other options available, contact factory. | 3 = 3/4"
4 = 1" | 18 = 5/8" or 5/8" x 3/4"
21 = 3/4" or 1"
24 = As Required |

- 786 = Single Meter Pit w/Angle PVC Support Brackets
- 787 = Dual Meter Pit w/Angle PVC Support Brackets
- 788 = Tandem Meter Pit w/ Angle PVC Support Brackets

For Tandem Series

- Series 782 - Tandem**
- A = Angle Single Check Valve
 - F = Angle Dual Check Valve (ASSE 1024)
 - N = No Valve - Meter Nut (Standard on outlet)
 - Q = Lockwing Ball Valve

NOTE: Unless specified all tandem components have meter nuts without saddles.



Example 782-236QFPP 33 X 21
Tandem setters are supplied with adapters and "S" tube. Please specify device length and threads when ordering.

780 Series - Riser Style Pit Assembly

5/8", 5/8" X 3/4", 3/4", & 1" METERS

Standard Meter Lay Lengths -

- 7.5" - 5/8" Meters
- 7.5" - 5/8" x 3/4" Meters
- 9" - 3/4" Meters
- 10.75" - 1" Meters

782 Series

Standard Tandem Device Lay Lengths (FNPT x FNPT) -

- 4" - 5" - 5/8" & 5/8" x 3/4", 3/4" Meters
- 5" - 6" - 1" Meters

Pit Setters

1	2	3	4	5	6	7	8	9	10	11	12	13	14
780	-	3	36	W	X	P	P	 	3	3	X	21	
Series #	Lid Type	Meter Size	Bury Depth	Inlet Meter Valves	Outlet Meter Valves	Service Inlet Type	Service Outlet Type	Space	Service Inlet Size	Service Outlet Size		Pit Diameter	Specials

Step #1 - Choose your base pit setter

780 Series

Single Meter Pit Setter (Standard Port)

Base Model #	Meter Size	Inlet Meter Valve	Outlet Meter Valve	Service Inlet & Outlet	Pit Diameter	Base Price
780-136WXPP 33X18	5/8"	Standard Port Ball Valve	Meter Nut	3/4" MNPT	18"	\$ 545.00
780-136WXPP 33X21	5/8"	Standard Port Ball Valve	Meter Nut	3/4" MNPT	21"	\$ 577.70
780-136WXPP 33X24	5/8"	Standard Port Ball Valve	Meter Nut	3/4" MNPT	24"	\$ 640.92
780-236WXPP 33X18	5/8" x 3/4"	Standard Port Ball Valve	Meter Nut	3/4" MNPT	18"	\$ 545.00
780-236WXPP 33X21	5/8" x 3/4"	Standard Port Ball Valve	Meter Nut	3/4" MNPT	21"	\$ 577.70
780-236WXPP 33X24	5/8" x 3/4"	Standard Port Ball Valve	Meter Nut	3/4" MNPT	24"	\$ 640.92
780-336WXPP 33X21	3/4"	Standard Port Ball Valve	Meter Nut	3/4" MNPT	21"	\$ 586.42
780-336WXPP 33X24	3/4"	Standard Port Ball Valve	Meter Nut	3/4" MNPT	24"	\$ 649.64
780-436WXPP 44X21	1"	Standard Port Ball Valve	Meter Nut	1" MNPT	21"	\$ 768.45
780-436WXPP 44X24	1"	Standard Port Ball Valve	Meter Nut	1" MNPT	24"	\$ 831.67

780 Series

Single Meter Pit Setter (Full Port), *7/8" Copper Tube

Base Model #	Meter Size	Inlet Meter Valve	Outlet Meter Valve	Service Inlet & Outlet	Pit Diameter	Base Price
780D236JXPP 33X18*	5/8" x 3/4"	Full Port Ball Valve	Meter Nut	3/4" MNPT	18"	\$ 604.95
780D236JXPP 33X21*	5/8" x 3/4"	Full Port Ball Valve	Meter Nut	3/4" MNPT	21"	\$ 637.65
780D236JXPP 33X24*	5/8" x 3/4"	Full Port Ball Valve	Meter Nut	3/4" MNPT	24"	\$ 700.87
780D336JXPP 33X21*	3/4"	Full Port Ball Valve	Meter Nut	3/4" MNPT	21"	\$ 637.65
780D336JXPP 33X24*	3/4"	Full Port Ball Valve	Meter Nut	3/4" MNPT	24"	\$ 700.87
780-436JXPP 44X21	1"	Full Port Ball Valve	Meter Nut	1" MNPT	21"	\$ 814.23
780-436JXPP 44X24	1"	Full Port Ball Valve	Meter Nut	1" MNPT	24"	\$ 877.45

781 Series

Dual Meter Pit Setter

Base Model #	Meter Size	Inlet Meter Valve	Outlet Meter Valve	Service Inlet & Outlet	Pit Diameter	Base Price
781-136WXPP 43X21	5/8"	Standard Port Ball Valve	Meter Nut	3/4" MNPT	21"	\$ 1,193.55
781-136WXPP 43X24	5/8"	Standard Port Ball Valve	Meter Nut	3/4" MNPT	24"	\$ 1,256.77
781-236WXPP 43X21	5/8" x 3/4"	Standard Port Ball Valve	Meter Nut	3/4" MNPT	21"	\$ 1,193.55
781-236WXPP 43X24	5/8" x 3/4"	Standard Port Ball Valve	Meter Nut	3/4" MNPT	24"	\$ 1,256.77
781-336WXPP 43X24	3/4"	Standard Port Ball Valve	Meter Nut	3/4" MNPT	24"	\$ 1,265.49

782 Series

Tandem Meter Pit Setter - *Note: A PRV length and connection type are required*

Base Model #	Meter Size	Inlet Meter Valve	Outlet Meter Valve	Service Inlet & Outlet	Pit Diameter	Base Price
782-136QNPP 33X21	5/8"	Standard Port Ball Valve	Meter Nut	3/4" MNPT	21"	\$ 679.07
782-136QNPP 33X24	5/8"	Standard Port Ball Valve	Meter Nut	3/4" MNPT	24"	\$ 742.29
782-236QNPP 33X21	5/8" x 3/4"	Standard Port Ball Valve	Meter Nut	3/4" MNPT	21"	\$ 679.07
782-236QNPP 33X24	5/8" x 3/4"	Standard Port Ball Valve	Meter Nut	3/4" MNPT	24"	\$ 742.29
782-336QNPP 33X24	3/4"	Standard Port Ball Valve	Meter Nut	3/4" MNPT	24"	\$ 752.10
782-436QNPP 44X24	1"	Standard Port Ball Valve	Meter Nut	1" MNPT	24"	\$ 1,131.42

780 Series - Riser Style Pit Assembly

5/8", 5/8" X 3/4", 3/4", & 1" METERS

Step #2 - Choose Your Lid Type
 Note: Frame & Cover sold separately

List Price Adders:

Description	Model # Slot 2	18" Pit Diameter	21" Pit Diameter	24" Pit Diameter
Standard Frame	-	\$ 0.00	\$ 0.00	\$ 0.00
W-Style Frame & Cover	W	(\$ 45.78)	(\$ 45.78)	(\$ 47.96)

Step #3 - Choose Your Bury Depth

Note: Contact the Factory for additional depth & diameter configurations

List Price Adders:

Height	Model # Slot 4	18" Pit Diameter	21" Pit Diameter		24" Pit Diameter	
		5/8", 5/8" x 3/4", & 3/4" Meter	5/8", 5/8" x 3/4", & 3/4" Meter	1" Meter	5/8", 5/8" x 3/4", & 3/4" Meter	1" Meter
36"	36"	\$ 0.00	\$ 0.00	\$ 0.00	\$ 0.00	\$ 0.00
42"	42	\$ 49.05	\$ 55.59	\$ 75.21	\$ 65.40	\$ 86.11
48"	48	\$ 98.10	\$ 111.18	\$ 150.42	\$ 130.80	\$ 172.22
54"	54	\$ 147.15	\$ 166.77	\$ 225.63	\$ 196.20	\$ 258.33
60"	60	\$ 196.20	\$ 222.36	\$ 300.84	\$ 261.60	\$ 344.44
66"	66	\$ 245.25	\$ 277.95	\$ 376.05	\$ 327.00	\$ 430.55
72"	72	\$ 294.30	\$ 333.54	\$ 451.26	\$ 392.40	\$ 516.66
78"	78	\$ 343.35	\$ 389.13	\$ 526.47	\$ 457.80	\$ 602.77
84"	84	\$ 392.40	\$ 444.72	\$ 601.68	\$ 523.20	\$ 688.88
90"	90	\$ 441.45	\$ 500.31	\$ 676.89	\$ 588.60	\$ 774.99
96"	96	\$ 490.50	\$ 555.90	\$ 752.10	\$ 654.00	\$ 861.10

Step #4 - Choose Your Meter Valves

Note: add for each Valve added to Pit Setter AND subtract the ball valve if removed from Pit Setter

List Price Adders:

Meter Inlet & Outlet	Model # Slot 5 & 6	14	5/8" & 5/8" x 3/4" Meter	3/4" Meter	1" Meter
Meter Nut	X		\$ 0.00	\$ 0.00	\$ 0.00
Brass Elbow	Z		\$ 22.89	\$ 27.25	\$ 40.33
Lockwing Plug Valve	L		\$ 47.96	\$ 45.78	\$ 41.42
Lockwing Ball Valve	W		\$ 57.77	\$ 55.59	\$ 83.93
Lockwing Full Port Ball Valve	J		\$ 109.00	\$ 106.82	\$ 129.71
Single Check	C		\$ 52.32	\$ 52.32	\$ 31.61
Cascading Dual Check	D	X992	\$ 97.01	\$ 97.01	\$ 75.21
Dual Check	D		\$ 105.73	\$ 105.73	\$ 152.60
1" Port Angle Dual Check	M		N/A	N/A	\$ 198.38

Step #5 - Choose Your Service Inlet & Outlet Connections

Note: A 74754 Female Adapter can be used to convert to other types of pipe on page 174
 Price below is per side

List Price Adders:

Service Inlet & Outlet	Model # Slot 7 & 8	10 & 11	5/8" & 5/8" x 3/4" Meter	3/4" Meter	1" Meter
3/4" Male Iron Pipe Integral	PP	33	\$ 0.00	\$ 0.00	N/A
1" Male Iron Pipe Integral	PP	44	Contact Factory	Contact Factory	\$ 0.00
3/4" Copper Flare w/74754	CC	33	\$ 10.90	\$ 10.90	N/A
3/4" -22 CTS Compression Integral	22	33	\$ 11.99	\$ 11.99	N/A
1" -22 CTS Compression Integral	22	44	Contact Factory	Contact Factory	\$ 35.97
3/4" T CTS Compression Integral	TT	33	\$ 11.99	\$ 11.99	N/A
1" T CTS Compression Integral	TT	44	Contact Factory	Contact Factory	\$ 35.97

Step #6 - Add for Specials

Contact the factory

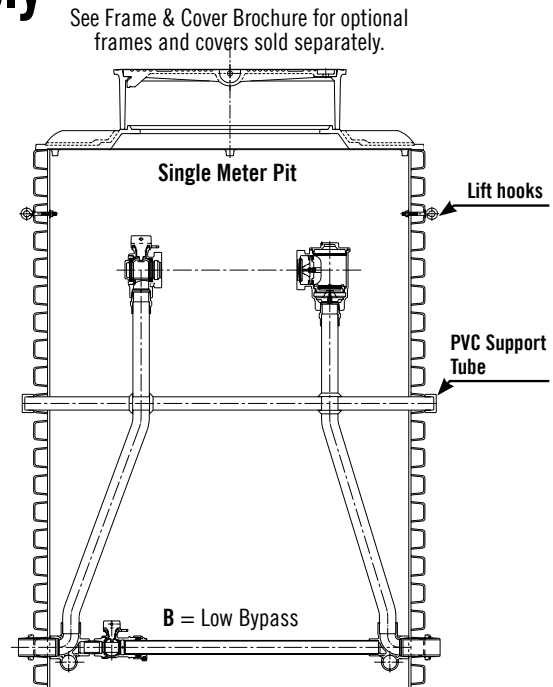
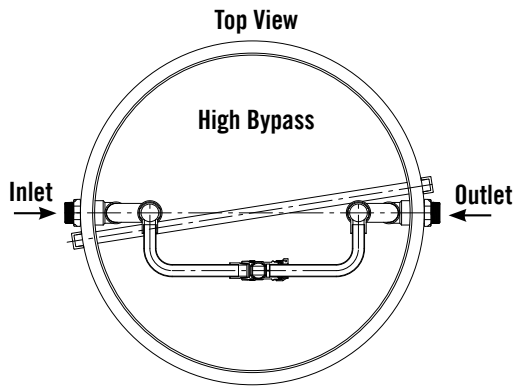
780 Series - Riser Style Pit Assembly

FOR 1 1/2" & 2" FLANGED METERS

A.Y. McDonald Mfg. Co. offers a quick and easy way to install your water meter. The series 780 for flanged meters is delivered completely assembled, is fully tested prior to leaving the factory, built to your specifications, and is set into service as a unit. This unit can be lifted into place with pre-installed lift hooks, and installed in minutes.

The 780 series assembly includes a corrugated PVC shell, risers, and flanged valves. Standard MNPT connections can be adapted to nearly any service line. Adapter ring and cover are sold separately.

Pit Setters



See Frame & Cover Brochure for optional frames and covers sold separately.

- High bypass option is offset to right side of meter and includes shut-off valve
- Dual check option available in bypass

80-BLK - Insulation Blanket

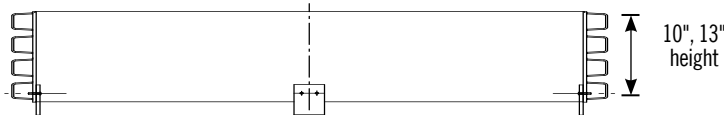
List Price
48" x 48" \$ 25.51



782 Series - Tandem



80CEXT - Pit Extensions



80CEXT - Sizes	List Price
36" x 10"	\$ 239.80
36" x 13"	\$ 287.26

90-C1 - Insulation Cushion

Insulating cushion sold separately 2"

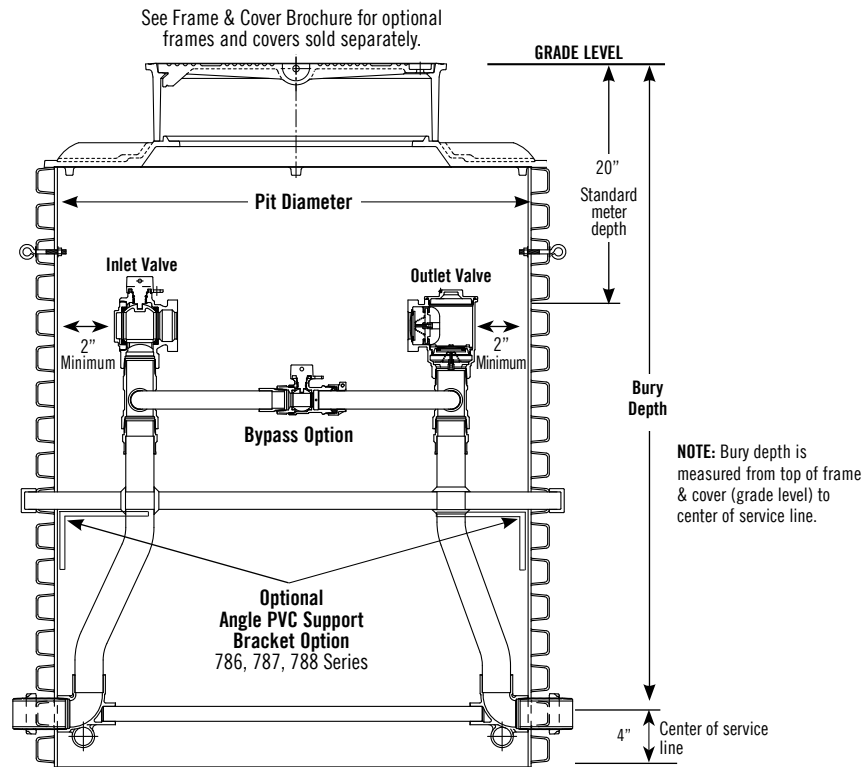
List Price
36" x 2" \$ 194.12



NOTES

- The centerline of the service line connections are positioned 4" above the bottom of the pit.
- The centerline of the meter will be 20" below grade level.
- A PVC support cross tube is tied to the copper tube risers and permanently attached to the pit walls.
- Cast brass jam nuts installed to secure riser tubes to exterior of the PVC frame.
- Corrugated PVC provided on 1 1/2" and 2" meter settings.
- Recommend minimum 2" clearance between the pit wall and any part of the setting to prevent frost jump.
- Cast iron frame, and cover, inner lids or insulating options are provided independently of pit setter.
- All cast brass meets latest revision of AWWA C800.
- Risers, valves, and fittings associated with the PVC pit setter shall be at factory, assembled and tested.

780 Series - Riser Style Pit Assembly



Following is a general guide to the A.Y. McDonald Mfg. Co. Riser Style Pit Setter model numbering system.

Example: Model 780R736WDPP 775X36 X

1	2	3	4	5	6	7	8	9	10	11	12	13	14	15	16
780	R	7	36	W	D	P	P		7	7	5	X	36	X	
Series Number	Dash	Meter Size	Bury Depth	Meter Connections		Service Line Connection		SPACE	Size of Service Line Connection		Bypass Option		Corrugated Pit Diameter	Tandem Setting Device Length and Configuration must be supplied by customer	
- = Standard B = Low bypass R = High offset bypass		36" minimum Available in 6" increments Meter Size 6 = 1 1/2" 7 = 2"		Series 780 Meter Inlet W = Full Port Lockwing ball valve		Bottom Inlet and Outlet Configuration P = Male iron pipe standard 2 = -22 CTS T = T CTS Other options available, contact factory.			Inlet and Outlet Connection 6 = 1 1/2" 7 = 2"		0 = No Bypass 4 = 1" 5 = 1 1/4" 6 = 1 1/2" 7 = 2"		30" 36"		
780 = Single Meter Pit (standard) 782 = Tandem Meter Pit				Meter Outlet D = Full Port Dual check valve N = Flanged elbow W = Full Port Lockwing ball valve											
786 = Single Meter Pit w/ Angle PVC Support Brackets 788 = Tandem Meter Pit w/ Angle PVC Support Brackets															

For Tandem Series



Example 782-736WDPP 770 X 36 X -- Device Length
Tandem setters are supplied with adapters and "S" tube. Please specify device length and threads when ordering.

NOTE: Tandem device is not included and must be purchased separately.

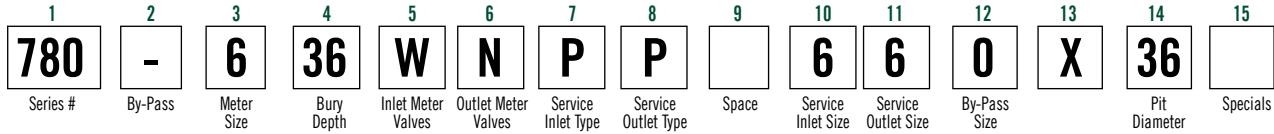
780 Series - Riser Style Pit Assembly

1 1/2" & 2" METERS

Standard Meter Lay Lengths -

13" - 1 1/2" Meters

17" - 2" Meters



Step #1 - Choose your base pit setter

780 Series
Single Meter Pit Setter

Base Model #	Meter Size	Inlet Meter Valve	Outlet Meter Valve	Service Inlet & Outlet	Pit Diameter	Base Price
780-636HNPP 660X24X433	1 1/2"	Full Port Ball Valve	Meter Flange	1 1/2" MNPT	24" *	\$ 1,499.84
780-636WNPP 660X36	1 1/2"	Full Port Ball Valve	Meter Flange	1 1/2" MNPT	36"	\$ 2,687.94
780-736HNPP 770X27X433	2"	Standard Port Ball Valve	Meter Flange	2" MNPT	27" *	\$ 1,875.89
780-736WNPP 770X36	2"	Full Port Ball Valve	Meter Flange	2" MNPT	36"	\$ 2,966.98

*Not recommended frost jump

782 Series
Tandem Meter Pit Setter - *Note: A PRV length and connection type are required*

Base Model #	Meter Size	Inlet Meter Valve	Outlet Meter Valve	Service Inlet & Outlet	Pit Diameter	Base Price
782-636WNPP 660X36	1 1/2"	Full Port Ball Valve	Meter Flange	1 1/2" MNPT	36"	\$ 3,394.26
782-736WNPP 770X36	2"	Full Port Ball Valve	Meter Flange	2" MNPT	36"	\$ 3,709.27

Step #2 - Choose Your By-Pass
Note: Meter Setters with Flanged Elbows are not available with a By-Pass

List Price Adders:

Size	Description	Model # Slot 2	Slot 12	1 1/2" Meter	2" Meter
N/A	No By-Pass	-	0	\$ 0.00	\$ 0.00
1 1/4"	Low Inline By-Pass	B	5	\$ 116.63	\$ 116.63
1 1/4"	High Offset By-Pass	R	5	\$ 367.33	\$ 367.33

Step #3 - Choose Your Bury Depth
Note: Contact the Factory for additional depth & diameter configurations

List Price Adders:

Height	Model # Slot 4	24" Pit Diameter		27" Pit Diameter		36" Pit Diameter	
		1 1/2" Meter	2" Meter	1 1/2" Meter	2" Meter	1 1/2" Meter	2" Meter
36"	36	\$ 0.00	N/A	N/A	\$ 0.00	\$ 0.00	\$ 0.00
42"	42	\$ 113.36	N/A	N/A	\$ 147.15	\$ 168.95	\$ 185.30
48"	48	\$ 226.72	N/A	N/A	\$ 294.30	\$ 337.90	\$ 370.60
54"	54	\$ 340.08	N/A	N/A	\$ 441.45	\$ 506.85	\$ 555.90
60"	60	\$ 453.44	N/A	N/A	\$ 588.60	\$ 675.80	\$ 741.20
66"	66	\$ 566.80	N/A	N/A	\$ 735.75	\$ 844.75	\$ 926.50
72"	72	\$ 680.16	N/A	N/A	\$ 882.90	\$ 1,013.70	\$ 1,111.80
78"	78	\$ 793.52	N/A	N/A	\$ 1,030.05	\$ 1,182.65	\$ 1,297.10
84"	84	\$ 906.88	N/A	N/A	\$ 1,177.20	\$ 1,351.60	\$ 1,482.40
90"	90	\$ 1,020.24	N/A	N/A	\$ 1,324.35	\$ 1,520.55	\$ 1,667.70
96"	96	\$ 1,133.60	N/A	N/A	\$ 1,471.50	\$ 1,689.50	\$ 1,853.00

Step #4 - Choose Your Meter Valves
Note: add for each Valve added to Pit Setter AND subtract the Ball Valve if removed from Pit Setter

List Price Adders:

Meter Inlet & Outlet	Model # Slot 5 & 6	1 1/2" Meter	2" Meter
Flanged Elbow	N	\$ 0.00	\$ 0.00
Lockwing BCS Ball Valve	H	\$ 78.48	\$ 99.19
Lockwing Ball Valve	W	\$ 214.73	\$ 236.53
Dual Check	D	\$ 283.40	\$ 246.34
Dual Check with 1" Test Port	E	\$ 303.02	\$ 265.96
Dual Check with 1 1/2" Test Port	F	\$ 303.02	\$ 265.96
Dual Check with 2" Test Port	G	\$ 303.02	\$ 265.96

Step #5 - Service Inlet & Outlet Connections
Note: A 74754 Female Adapter can be used to convert to other types of pipe on page 174

List Price Adders:

Service Inlet & Outlet	Model # Slot 7 & 8	Slot 10 & 11	1 1/2" Meter	2" Meter
1 1/2" Male Iron Pipe	PP	66	\$ 0.00	N/A
2" Male Iron Pipe	PP	77	Contact Factory	\$ 0.00

Step #6 - Add for Specials

Contact the Factory

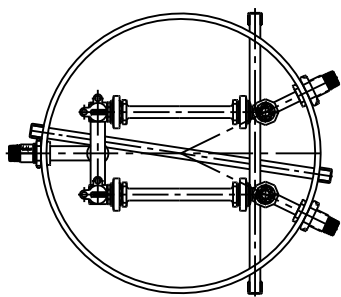
783, 784, 785 Series - Iron Yoke Pit Assembly

FOR 5/8" TO 1" THREADED METERS

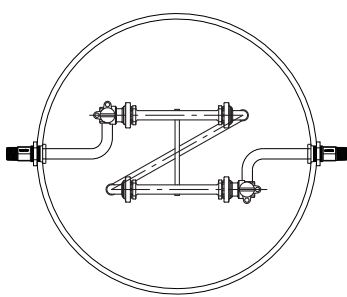
A.Y. McDonald Mfg. Co. offers a quick and easy way to install your water meter. The series 783 yoke style pit assembly is designed for 5/8" to 1" threaded meters. The 783 series is delivered completely assembled, is fully tested prior to leaving the factory, built to your specifications, and is set into service as a unit. This unit can be installed in minutes.

Comes complete with service line connections, risers, valves, and iron yoke meter cradle. May be ordered with or without meter expansion connection. Also taken into consideration when sizing the 783 series pit assembly is the service line depth, and optional frame and cover sold separately.

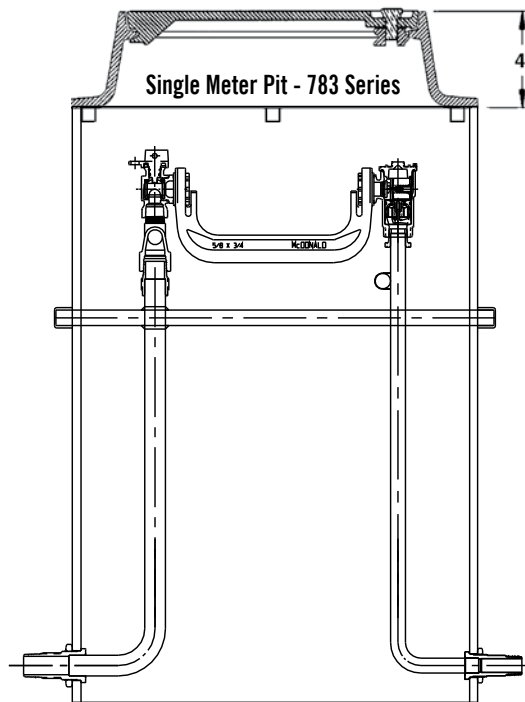
See Frame & Cover Brochure for optional frames and covers sold separately.



Dual Meter Pit 784 Series



Tandem Meter Pit 785 Series



Pit Setters

80-EXT - Pit Extensions



18", 21" & 24" Diameter Pits

80-EXT - Sizes

Size	Price	Size	Price	Size	Price
18" x 03"	\$ 50.43	21" x 03"	\$ 54.63	24" x 03"	\$ 61.63
18" x 06"	\$ 64.43	21" x 06"	\$ 75.64	24" x 06"	\$ 88.25
18" x 09"	\$ 78.44	21" x 09"	\$ 96.65	24" x 09"	\$ 114.85
18" x 12"	\$ 92.44	21" x 12"	\$ 117.64	24" x 12"	\$ 141.46
		21" x 15"	\$ 138.65		
		21" x 18"	\$ 159.65		

80-C2 - Insulation Cushion

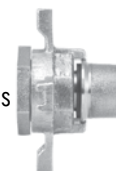
Sizes	Price
18" x 2.00	\$ 85.19
20" x 2.00	\$ 88.86
21" x 2.00	\$ 88.86
24" x 2.00	\$ 106.87
36" x 2.00	\$ 241.08



Expansion Connections - Hard Gaskets

Model	Meter Size	Price
714-1EHG	5/8"	\$ 28.92
714-2EHG	5/8" x 3/4" or 3/4"	\$ 32.78
714-4EHG	1"	\$ 55.06

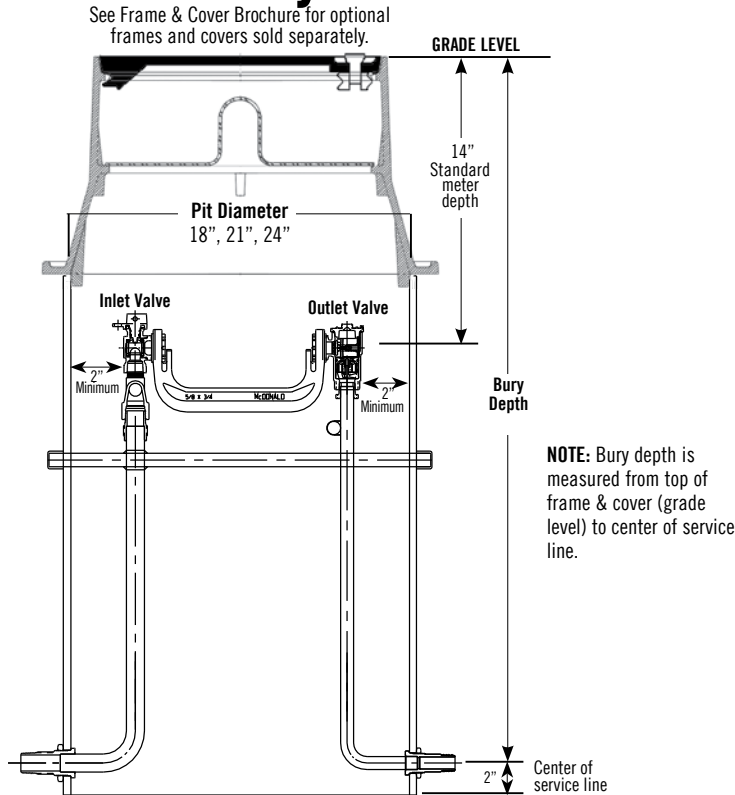
Includes two star nut gaskets



NOTES

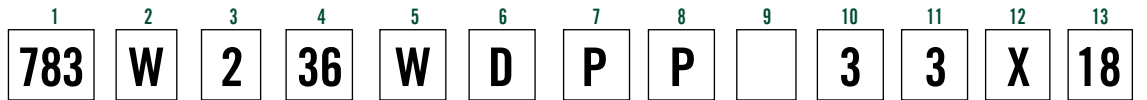
- The centerline of the service line connections are positioned 2" above the bottom of the pit.
- The centerline of the meter will be 14" below grade level.
- A PVC support cross tube is tied to the copper tube risers and permanently attached to the pit walls.
- Cast brass jam nuts installed to secure riser tubes to exterior of the PVC frame.
- Recommend minimum 2" clearance between the pit wall and any part of the setting to prevent frost jump.
- Cast iron frame, and cover, inner lid, or insulating options are provided independently of pit setter.
- All cast brass meets latest revision of AWWA C800.
- All pipe, valves, and fittings associated with the PVC pit setter shall be factory assembled and tested.
- Use 785 series for installation with secondary device such as pressure regulators or other service line connections.

783 Series - Yoke Pit Assembly



Following is a general guide to the A.Y. McDonald Mfg. Co. Yoke Style Pit Setter model numbering system.

Example: Model 783W236WDPP 33X18



Series Number	Dash	Meter Size	Bury Depth	Meter Connections	Service Line Connection	SPACE	Size of Service Line Connection	Outlet	Pit Diameter
- = Standard 4" cover W = Double lid 9 1/2"		36" minimum Available in 6" increments Meter Size 1 = 5/8" 2 = 5/8" x 3/4" 3 = 3/4" 4 = 1"		Series 783 Meter Inlet J = Full port ball valve L = Plug valve W = Lockwing ball valve Meter Outlet C = Single check valve D = Dual check valve E = Brass elbow J = Full port ball valve L = Plug valve M = 1" Full port dual check - 1" meter only W = Lockwing ball valve	Bottom Inlet and Outlet Configuration P = Male iron pipe standard 2 = -22 CTS T = T CTS Other options available, contact factory.		Inlet and Outlet Connection 3 = 3/4" 4 = 1"		18 = 5/8" 5/8" x 3/4" 21 = 3/4" 24 = 1"

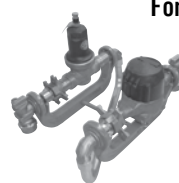
783 = Single Yoke Pit
784 = Dual Meter Pit
785 = Tandem Meter Pit

Other options available, contact factory.

Series 785 - Tandem
C = Single check valve
D = Dual check valve
E = Brass elbow
J = Full port ball valve
L = Plug valve
M = 1" Full port dual check - 1" meter only
W = Lockwing ball valve

NOTE: Unless specified all tandem components have meter nuts without saddles.

For Tandem Series



Contact Factory for Tandems, Meter Length, and End connection device.

783 Series - Yoke Pit Assembly

5/8", 5/8" X 3/4", 3/4", & 1" METERS

Standard Meter Lay Lengths -

- 7.5" - 5/8" Meters
- 7.5" - 5/8" x 3/4" Meters
- 9" - 3/4" Meters
- 10.75" - 1" Meters

Standard Tandem Device Lay Lengths (FNPT x FNPT) -

- 4" - 5" - 5/8" & 5/8" x 3/4", 3/4" Meters
- 5" - 6" - 1" Meters

1	2	3	4	5	6	7	8	9	10	11	12	13	14
783	-	3	36	W	E	P	P		3	3	X	21	
Series #	Lid Type	Meter Size	Bury Depth	Inlet Meter Valves	Outlet Meter Valves	Service Inlet Type	Service Outlet Type	Space	Service Inlet Size	Service Outlet Size		Pit Diameter	Specials

Step #1 - Choose your base pit setter

783 Series

Single Yoke Pit Setter (Standard Port)

Base Model #	Meter Size	Inlet Meter Valve	Outlet Meter Valve	Service Inlet & Outlet	Pit Diameter	Base Price
783-136WEPP 33X21	5/8"	Standard Port Ball Valve	Meter Yoke	3/4" MNPT	21"	\$ 639.83
783-136WEPP 33X24	5/8"	Standard Port Ball Valve	Meter Yoke	3/4" MNPT	24"	\$ 703.05
783-236WEPP 33X21	5/8" x 3/4"	Standard Port Ball Valve	Meter Yoke	3/4" MNPT	21"	\$ 644.19
783-236WEPP 33X24	5/8" x 3/4"	Standard Port Ball Valve	Meter Yoke	3/4" MNPT	24"	\$ 707.41
783-336WEPP 33X21	3/4"	Standard Port Ball Valve	Meter Yoke	3/4" MNPT	21"	\$ 656.18
783-336WEPP 33X24	3/4"	Standard Port Ball Valve	Meter Yoke	3/4" MNPT	24"	\$ 719.40
783-436WEPP 33X24	1"	Standard Port Ball Valve	Meter Yoke	1" MNPT	24"	\$ 947.21

783 Series

Single Yoke Pit Setter (Full Port), *7/8" Copper Tube

Base Model #	Meter Size	Inlet Meter Valve	Outlet Meter Valve	Service Inlet & Outlet	Pit Diameter	Base Price
783D136JEPP 33X21*	5/8"	Full Port Ball Valve	Meter Yoke	3/4" MNPT	21"	\$ 699.78
783D136JEPP 33X24*	5/8"	Full Port Ball Valve	Meter Yoke	3/4" MNPT	24"	\$ 763.00
783D236JEPP 33X21*	5/8" x 3/4"	Full Port Ball Valve	Meter Yoke	3/4" MNPT	21"	\$ 704.14
783D236JEPP 33X24*	5/8" x 3/4"	Full Port Ball Valve	Meter Yoke	3/4" MNPT	24"	\$ 767.36
783D336JEPP 33X21*	3/4"	Full Port Ball Valve	Meter Yoke	3/4" MNPT	21"	\$ 707.41
783D336JEPP 33X24*	3/4"	Full Port Ball Valve	Meter Yoke	3/4" MNPT	24"	\$ 770.63
783-436JEPP33X24	1"	Full Port Ball Valve	Meter Yoke	1" MNPT	24"	\$ 992.99

Step #2 - Choose Your Lid Type

Note: Frame & Cover sold separately

List Price Adders:

Description	Model # Slot 2	18" Pit Diameter	21" Pit Diameter	24" Pit Diameter
Standard Frame	-	\$ 0.00	\$ 0.00	\$ 0.00
W-Style Frame & Cover	W	(\$ 45.78)	(\$ 45.78)	(\$ 47.96)

783 Series - Pit Assembly

5/8", 5/8" X 3/4", 3/4", & 1" METERS

Step #3 - Choose Your Bury Depth

Note: Contact the Factory for additional depth & diameter configurations

List Price Adders:

Height	Model # Slot 4	21" Pit Diameter		24" Pit Diameter	
		5/8", 5/8" x 3/4" & 3/4" Meter	5/8" & 3/4" Meter	5/8" & 3/4" Meter	1" Meter
36"	36	\$ 0.00	\$ 0.00	\$ 0.00	\$ 0.00
42"	42	\$ 55.59	\$ 65.40	\$ 86.11	\$ 86.11
48"	48	\$ 111.18	\$ 130.80	\$ 172.22	\$ 172.22
54"	54	\$ 166.77	\$ 196.20	\$ 258.33	\$ 258.33
60"	60	\$ 222.36	\$ 261.60	\$ 344.44	\$ 344.44
66"	66	\$ 277.95	\$ 327.00	\$ 430.55	\$ 430.55
72"	72	\$ 333.54	\$ 392.40	\$ 516.66	\$ 516.66
78"	78	\$ 389.13	\$ 457.80	\$ 602.77	\$ 602.77
84"	84	\$ 444.72	\$ 523.20	\$ 688.88	\$ 688.88
90"	90	\$ 500.31	\$ 588.60	\$ 774.99	\$ 774.99
96"	96	\$ 555.90	\$ 654.00	\$ 861.10	\$ 861.10

Step #4 - Choose Your Meter Valves

Note: add for each Valve added to Pit Setter AND subtract the Ball Valve if removed from Pit Setter

List Price Adders:

Meter Inlet & Outlet	Model # Slot		5/8" & 5/8" x 3/4" Meter	3/4" Meter	1" Meter
	5 & 6	14			
Yoke Elbow	E		\$ 0.00	\$ 0.00	\$ 0.00
Yoke Elbow with Test Port	F		\$ 18.53	\$ 18.53	\$ 18.53
Lockwing Plug Valve	L		\$ 47.96	\$ 45.78	\$ 41.42
Lockwing Plug Valve with Test Port	T		\$ 56.68	\$ 54.50	\$ 56.68
Lockwing Ball Valve	W		\$ 57.77	\$ 55.59	\$ 83.93
Lockwing Full Port Ball Valve	J		\$ 109.00	\$ 106.82	\$ 129.71
Single Check	C		\$ 52.32	\$ 52.32	\$ 31.61
Cascading Dual Check	D	X992	\$ 97.01	\$ 97.01	\$ 75.21
Dual Check	D		\$ 105.73	\$ 105.73	\$ 152.60
1" Port Angle Dual Check	M		N/A	N/A	\$ 198.38

Step #5 - Choose Your Service Inlet & Outlet Connections

Note: A 74754 Female Adapter can be used to convert to other types of pipe on page 174

List Price Adders:

Service Inlet & Outlet	Model # Slot		5/8" & 5/8" x 3/4" Meter	3/4" Meter	1" Meter
	7 & 8	10 & 11			
3/4" Male Iron Pipe Integral	PP	33	\$ 0.00	\$ 0.00	N/A
1" Male Iron Pipe Integral	PP	44	Contact Factory	Contact Factory	\$ 0.00
3/4" Copper Flare w/74754	CC	33	\$ 10.90	\$ 10.90	N/A
3/4" -22 CTS Compression Integral	22	33	\$ 11.99	\$ 11.99	N/A
1" -22 CTS Compression Integral	22	44	Contact Factory	Contact Factory	\$ 35.97
3/4" T CTS Compression Integral	TT	33	\$ 11.99	\$ 11.99	N/A
1" T CTS Compression Integral	TT	44	Contact Factory	Contact Factory	\$ 35.97

Step #6 - Add for Specials

Contact the Factory

7180, 7181, 7182, 7186, 7187, 7188 Series - Flat Lid Pit Assembly

FOR 5/8" TO 1" THREADED METERS

A.Y. McDonald Mfg. Co. offers a quick and easy way to install your water meter in a shallow setting. The series 7180 inline meter setting is delivered completely assembled and is fully tested prior to leaving the factory.

Each meter box assembly comes standard with a rigid PVC shell, AWWA compliant water service brass fittings, and valves, and NSF meter gaskets. Options include aluminum bottom closure, insulating pads, and several lid styles. Various service line connection styles are also available upon request. This versatile meter box can be sized to fit any standard size water meter and is easily adapted to remote read options.

Available for single, dual, and tandem meter installations.

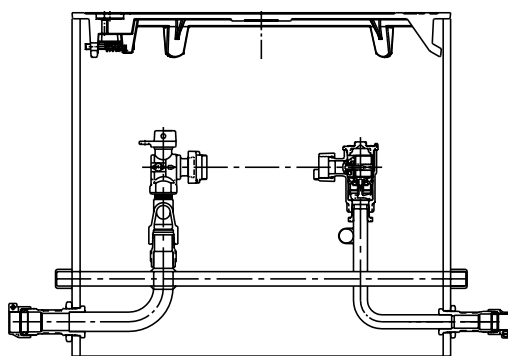
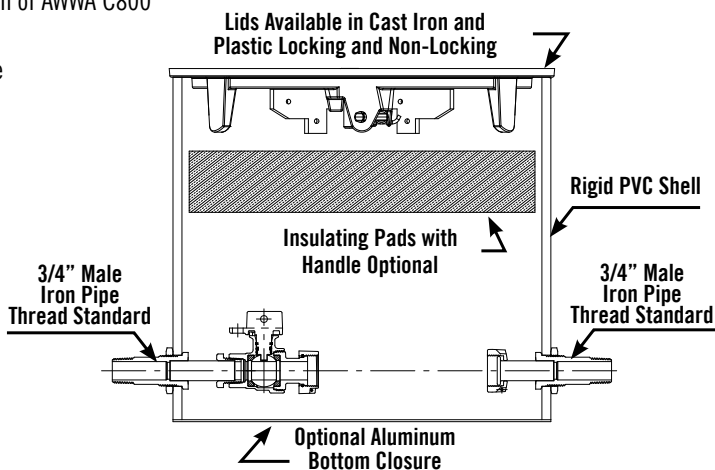
FEATURES

- Rigid PVC Shell
- Fully assembled
- White interior
- Factory tested
- All cast brass meets latest revision of AWWA C800
- Sized to fit your meter
- Compression connection available
- Adaptable to meet your needs

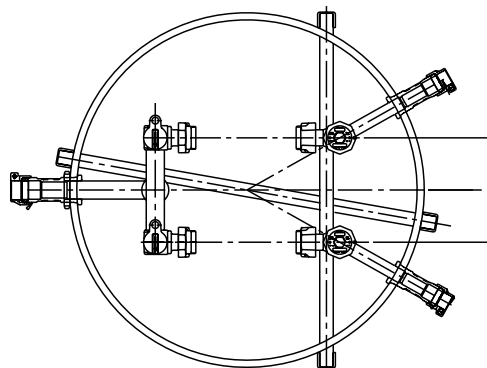
See Frame & Cover Brochure for optional frames and covers sold separately.



Top View - With Meter & Shut-Off Valve



Single 7180 Series



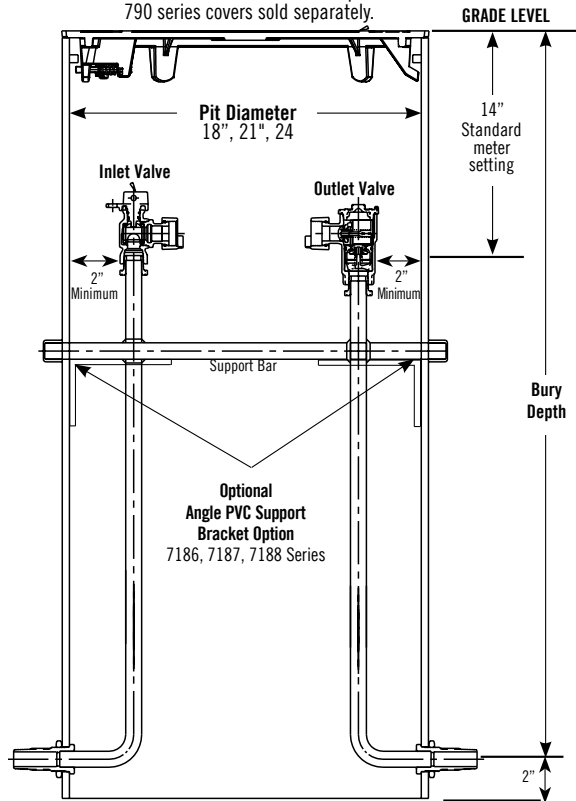
Dual 7181 Series

NOTES

- Not all combinations are available - Contact Factory.

7180 Series - Flat Lid Pit Assembly

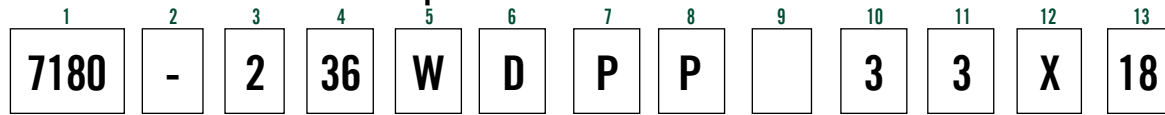
See Frame & Cover Brochure for optional 790 series covers sold separately.



NOTE: Bury depth is measured from top of frame & cover (grade level) to center of service line.

Following is a general guide to the A.Y. McDonald Mfg. Co. Riser Style Pit Setter model numbering system.

Example: Model 7180-236WDPP 33X18



Series Number | Dash | Meter Size | Bury Depth | Meter Connections (INLET | OUTLET) | Service Line Connection (INLET | OUTLET) | SPACE | Size of Service Line Connection (INLET | OUTLET) | Pit Diameter

Series Number
7180 = Single Meter Pit (standard)
7181 = Dual Meter Pit
7182 = Tandem Meter Pit
7186 = Single Meter Pit w/Angle PVC Support Brackets
7187 = Dual Meter Pit w/Angle PVC Support Brackets
7188 = Tandem Meter Pit w/ Angle PVC Support Brackets

Dash
- = Standard

Meter Size
1 = 5/8"
2 = 5/8" x 3/4"
3 = 3/4"
4 = 1"

Bury Depth
18" minimum Available in 6" increments

Meter Connections
Series 7180 Meter Inlet
W = Lockwing ball valve
L = Plug valve
Meter Outlet
C = Single check valve
D = Dual check valve
L = Plug valve
N = Flanged elbow
W = Lockwing ball valve
Other options available, contact factory.

Service Line Connection
Bottom Inlet and Outlet Configuration
P = Male iron pipe standard
2 = -22 CTS
T = T CTS
Other options available, contact factory.

Size of Service Line Connection
Inlet and Outlet Connection
3 = 3/4"
4 = 1"

Pit Diameter
18 = 5/8" or 5/8" x 3/4"
21 = 3/4" or 1"
24 = As Required

For the following pit configurations/diameters, Contact Factory:
5/8" Tandem/Dual
5/8" x 3/4" Tandem/Dual
3/4" Tandem/Dual
1" Tandem/Dual

Series 7182 - Tandem
A = Full Port Angle Single Check Valve
F = Full Port Angle Dual Check Valve (ASSE 1024)
N = Flanged Tubing with Meter Nut
Q = Angle Lockwing Ball Valve Rated at 300 PSIG

NOTE: Unless specified all tandem components have meter nuts without saddles.

For Tandem Series



Example 7182-236QFPP 33 X 18
Tandem setters are supplied with adapters and "S" tube. Please specify device length and threads when ordering.

7180 Series - Flat Lid Pit Assembly

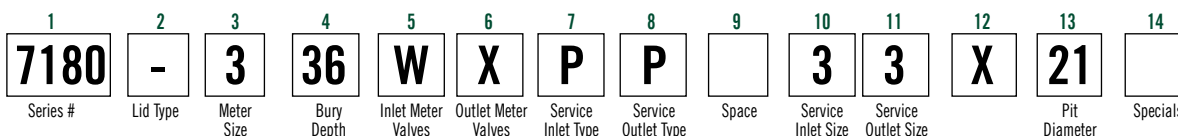
5/8", 5/8" X 3/4", 3/4", & 1" METERS

Standard Meter Lay Lengths -

- 7.5" - 5/8" Meters
- 7.5" - 5/8" x 3/4" Meters
- 9" - 3/4" Meters
- 10.75" - 1" Meters

Standard Tandem Device Lay Lengths (FNPT x FNPT) -

- 4" - 5" - 5/8" & 5/8" x 3/4", 3/4" Meters
- 5" - 6" - 1" Meters



Step #1 - Choose your base pit setter

7180 Series

Single Meter Pit Setter (Standard Port)

Base Model #	Meter Size	Inlet Meter Valve	Outlet Meter Valve	Service Inlet & Outlet	Pit Diameter	Base Price
7180-136WXPP 33X18	5/8"	Standard Port Ball Valve	Meter Nut	3/4" MNPT	18"	\$ 590.78
7180-136WXPP 33X21	5/8"	Standard Port Ball Valve	Meter Nut	3/4" MNPT	21"	\$ 623.48
7180-136WXPP 33X24	5/8"	Standard Port Ball Valve	Meter Nut	3/4" MNPT	24"	\$ 688.88
7180-236WXPP 33X18	5/8" x 3/4"	Standard Port Ball Valve	Meter Nut	3/4" MNPT	18"	\$ 590.78
7180-236WXPP 33X21	5/8" x 3/4"	Standard Port Ball Valve	Meter Nut	3/4" MNPT	21"	\$ 623.48
7180-236WXPP 33X24	5/8" x 3/4"	Standard Port Ball Valve	Meter Nut	3/4" MNPT	24"	\$ 688.88
7180-336WXPP 33X21	3/4"	Standard Port Ball Valve	Meter Nut	3/4" MNPT	21"	\$ 632.20
7180-336WXPP 33X24	3/4"	Standard Port Ball Valve	Meter Nut	3/4" MNPT	24"	\$ 697.60
7180-436WXPP 44X21	1"	Standard Port Ball Valve	Meter Nut	1" MNPT	21"	\$ 814.23
7180-436WXPP 44X24	1"	Standard Port Ball Valve	Meter Nut	1" MNPT	24"	\$ 879.63

7180 Series

Single Meter Pit Setter (Full Port), *7/8" Copper Tube

Base Model #	Meter Size	Inlet Meter Valve	Outlet Meter Valve	Service Inlet & Outlet	Pit Diameter	Base Price
7180D236JXPP 33X18*	5/8" x 3/4"	Full Port Ball Valve	Meter Nut	3/4" MNPT	18"	\$ 650.73
7180D236JXPP 33X21*	5/8" x 3/4"	Full Port Ball Valve	Meter Nut	3/4" MNPT	21"	\$ 683.43
7180D236JXPP 33X24*	5/8" x 3/4"	Full Port Ball Valve	Meter Nut	3/4" MNPT	24"	\$ 748.83
7180D336JXPP 33X21*	3/4"	Full Port Ball Valve	Meter Nut	3/4" MNPT	21"	\$ 683.43
7180D336JXPP 33X24*	3/4"	Full Port Ball Valve	Meter Nut	3/4" MNPT	24"	\$ 748.83
7180D436JXPP 44X21	1"	Full Port Ball Valve	Meter Nut	1" MNPT	21"	\$ 860.01
7180-436JXPP 44X24	1"	Full Port Ball Valve	Meter Nut	1" MNPT	24"	\$ 925.41

7181 Series

Dual Meter Pit Setter

Base Model #	Meter Size	Inlet Meter Valve	Outlet Meter Valve	Service Inlet & Outlet	Pit Diameter	Base Price
7181-136WXPP 33X21	5/8"	Standard Port Ball Valve	Meter Nut	3/4" MNPT	21"	\$ 1,239.33
7181-136WXPP 33X24	5/8"	Standard Port Ball Valve	Meter Nut	3/4" MNPT	24"	\$ 1,304.73
7181-236WXPP 33X21	5/8" x 3/4"	Standard Port Ball Valve	Meter Nut	3/4" MNPT	21"	\$ 1,239.33
7181-236WXPP 33X24	5/8" x 3/4"	Standard Port Ball Valve	Meter Nut	3/4" MNPT	24"	\$ 1,304.73
7181-336WXPP 33X24	3/4"	Standard Port Ball Valve	Meter Nut	3/4" MNPT	24"	\$ 1,313.45

7182 Series

Tandem Meter Pit Setter - Note: A PRV length and connection type are required

Base Model #	Meter Size	Inlet Meter Valve	Outlet Meter Valve	Service Inlet & Outlet	Pit Diameter	Base Price
7182-136QNPP 33X21	5/8"	Standard Port Ball Valve	Meter Nut	3/4" MNPT	21"	\$ 724.85
7182-136QNPP 33X24	5/8"	Standard Port Ball Valve	Meter Nut	3/4" MNPT	24"	\$ 790.25
7182-236QNPP 33X21	5/8" x 3/4"	Standard Port Ball Valve	Meter Nut	3/4" MNPT	21"	\$ 724.85
7182-236QNPP 33X24	5/8" x 3/4"	Standard Port Ball Valve	Meter Nut	3/4" MNPT	24"	\$ 790.25
7182-336QNPP 33X24	3/4"	Standard Port Ball Valve	Meter Nut	3/4" MNPT	24"	\$ 800.06
7182-436QNPP 44X24	1"	Standard Port Ball Valve	Meter Nut	1" MNPT	24"	\$ 1,227.34

7180 Series - Flat Lid Pit Assembly

Step #2 - Choose Your Lid Type
 Note: Frame & Cover sold separately

List Price Adders:

Description	Model # Slot 2	18" Pit Diameter	21" Pit Diameter	24" Pit Diameter
Standard Flat Lid	-	\$ 0.00	\$ 0.00	\$ 0.00

Step #3 - Choose Your Bury Depth
 Note: Contact the Factory for additional depth & diameter configurations

List Price Adders:

Height	Model # Slot 4	18" Pit Diameter	21" Pit Diameter		24" Pit Diameter	
		5/8", 5/8" x 3/4" & 3/4" Meter	5/8", 5/8" x 3/4" & 3/4" Meter	1" Meter	5/8", 5/8" x 3/4" & 3/4" Meter	1" Meter
36"	36	\$ 0.00	\$ 0.00	\$ 0.00	\$ 0.00	\$ 0.00
42"	42	\$ 49.05	\$ 55.59	\$ 75.21	\$ 65.40	\$ 86.11
48"	48	\$ 98.10	\$ 111.18	\$ 150.42	\$ 130.80	\$ 172.22
54"	54	\$ 147.15	\$ 166.77	\$ 225.63	\$ 196.20	\$ 258.33
60"	60	\$ 196.20	\$ 222.36	\$ 300.84	\$ 261.60	\$ 344.44
66"	66	\$ 245.25	\$ 277.95	\$ 376.05	\$ 327.00	\$ 430.55
72"	72	\$ 294.30	\$ 333.54	\$ 451.26	\$ 392.40	\$ 516.66
78"	78	\$ 343.35	\$ 389.13	\$ 526.47	\$ 457.80	\$ 602.77
84"	84	\$ 392.40	\$ 444.72	\$ 601.68	\$ 523.20	\$ 688.88
90"	90	\$ 441.45	\$ 500.31	\$ 676.89	\$ 588.60	\$ 774.99
96"	96	\$ 490.50	\$ 555.90	\$ 752.10	\$ 654.00	\$ 861.10

Step #4 - Choose Your Meter Valves
 Note: add for each Valve added to Pit Setter AND subtract the Ball Valve if removed from Pit Setter

List Price Adders:

Meter Inlet & Outlet	Model # Slot		5/8" & 5/8" x 3/4" Meter	3/4" Meter	1" Meter
	5 & 6	14			
Meter Nut	X		\$ 0.00	\$ 0.00	\$ 0.00
Brass Elbow	Z		\$ 22.89	\$ 27.25	\$ 40.33
Lockwing Plug Valve	L		\$ 47.96	\$ 45.78	\$ 41.42
Lockwing Ball Valve	W		\$ 57.77	\$ 55.59	\$ 83.93
Lockwing Full Port Ball Valve	J		\$ 109.00	\$ 106.82	\$ 129.71
Single Check	C		\$ 52.32	\$ 52.32	\$ 31.61
Cascading Dual Check	D	X992	\$ 97.01	\$ 97.01	\$ 75.21
Dual Check	D		\$ 105.73	\$ 105.73	\$ 152.60
1" Port Angle Dual Check	M		N/A	N/A	\$ 198.38

Step #5 - Choose Your Service Inlet & Outlet Connections
 Note: A 74754 Female Adapter can be used to convert to other types of pipe on page 174
 Price below is per side

List Price Adders:

Service Inlet & Outlet	Model # Slot		5/8" & 5/8" x 3/4" Meter	3/4" Meter	1" Meter
	7 & 8	10 & 11			
3/4" Male Iron Pipe Integral	PP	33	\$ 0.00	\$ 0.00	N/A
1" Male Iron Pipe Integral	PP	44	Contact Factory	Contact Factory	\$ 0.00
3/4" Copper Flare	CC	33	\$ 10.90	\$ 10.90	N/A
3/4" -22 CTS Compression Integral	22	33	\$ 11.99	\$ 11.99	N/A
1" -22 CTS Compression Integral	22	44	Contact Factory	Contact Factory	\$ 35.97
3/4" T CTS Compression Integral	TT	33	\$ 11.99	\$ 11.99	N/A
1" T CTS Compression Integral	TT	44	Contact Factory	Contact Factory	\$ 35.97

Step #6 - Add for Specials

Contact the Factory

790 Series - Coil Pit Assembly

FOR 5/8" TO 1" THREADED METERS

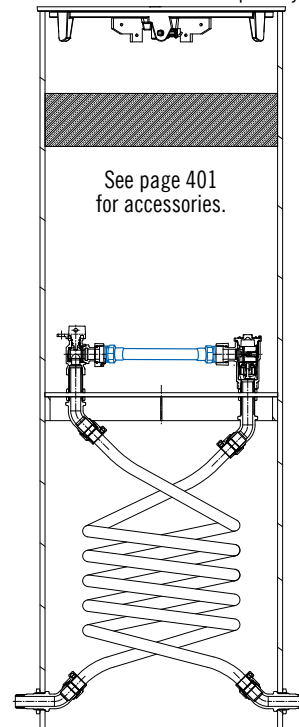
The A.Y. McDonald Coil Pit Setter provides a means to allow a meter to be read and maintained even though it is set deep in the ground to resist freezing. The Coil Pit Setter is designed with the meter installed on a platform that normally sets near the bottom of the box where the ground temperatures are warmer. The meter and platform are connected to the service line by coils of tubing which allows the meter and platform to be raised to the surface for service or replacement.

The body of the meter box is rigid PVC of various diameters. For extremely cold climates, an optional insulating pad is available which traps the relatively warm air rising from the earth, inside the meter box.

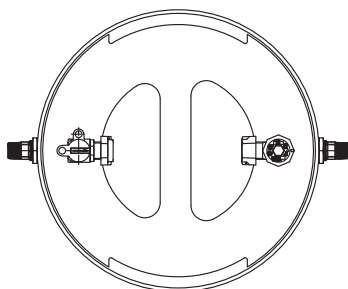
A.Y. McDonald Coil Pit Setters are shipped fully assembled, ready for meter and service line installation. Their light weight saves shipping costs and makes installation a one man job in most cases. Every box is factory tested and has a 150 psig maximum working pressure rating.

A.Y. McDonald Coil Pit Setters are available in single, dual, and tandem settings for 5/8" to 1" meters. A wide variety of end connections, control valves, box depths, lids and other options are available. Due to the almost endless combination of features offered, each meter box is custom built to your specifications.

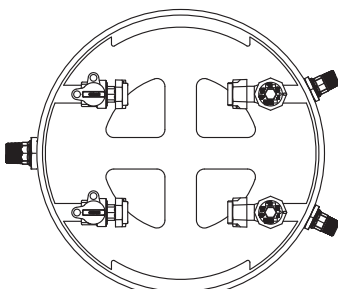
See Frame & Cover section for optional frames and covers sold separately. 790 series flat cover sold separately



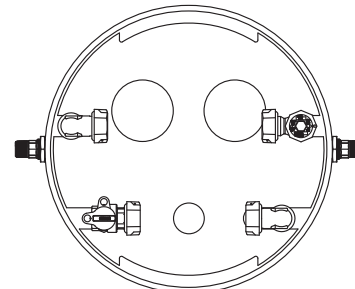
Pit Setters



790 Series - Single



791 Series - Dual



792 Series - Tandem

790-PVCSJ - PVC Slip Joint x FNPT

Size	Price
1 1/2" x 3/4"	\$ 64.48
1 1/2" x 1"	\$ 64.48
2" x 3/4"	\$ 91.02
2" x 1"	\$ 91.02

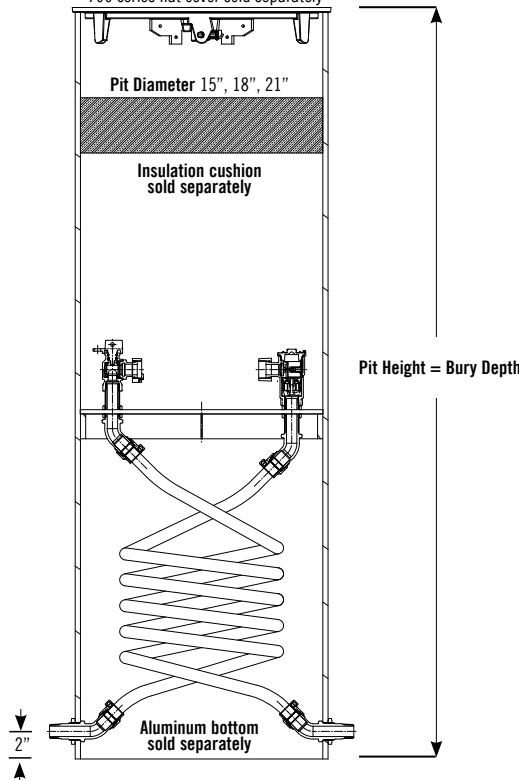


NOTES

- All cast brass meets latest revision of AWWA C800.

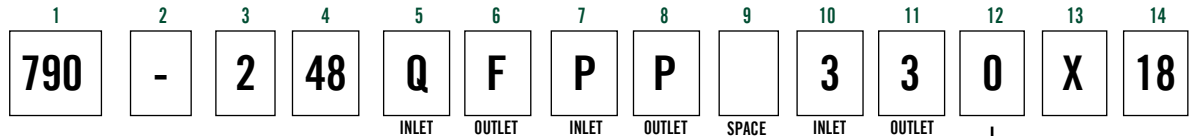
790 Series - Coil Pit Assembly

See Frame & Cover Brochure for optional frames and covers sold separately.
790 series flat cover sold separately



Following is a general guide to the A.Y. McDonald Mfg. Co. Coil style pit setter model numbering system.

Example: Model 790-248QFP 330X18



Series Number
790 = Single Meter Pit (standard)
791 = Dual Meter Pit
792 = Tandem Meter Pit
793 = Air Release Pit

Dash
- = Standard

Meter Size
1 = 5/8"
2 = 5/8" x 3/4"
3 = 3/4"
4 = 1"

Bury Depth
36" minimum Available in 6" increments

Meter Connections
Series 790 Meter Inlet
G = Plug valve
Q = Lockwing ball valve (standard)
Meter Outlet
A = Single check valve
F = Dual check valve
G = Plug valve
N = Meter nut
Q = Lockwing ball valve
Other options available, contact factory.

Service Line Connection
Bottom Inlet and Outlet Configuration
P = Male iron pipe standard
2 = -22 CTS
T = T CTS
Compression and flare options available, contact factory.

Size of Service Line Connection
Inlet and Outlet Connection
3 = 3/4"
4 = 1"

For Cushion & Bottom Options Contact Factory

Pit Diameter
15 = 5/8"
18 = 3/4" or 1"
21 = As Required
For the following pit configurations/diameters, Contact Factory:
5/8" Tandem/Dual
5/8" x 3/4" Tandem/Dual
3/4" Tandem/Dual
1" Tandem/Dual

NOTE:

- Full port ball valves and check valves optional on 3/4" & 1" meter pits
K = Full port lockwing ball valve
P = 1" Full port angle dual check

NOTE:

- 1" coil tube optional on 5/8", 5/8" x 3/4", and 3/4" meter pits
D = 1" coil tube with 1" inlet and outlet

Series 792 - Tandem

A = Angle Single Check Valve
F = Angle Dual Check Valve (ASSE 1024)
G = Plug valve
N = Meter Nut (Standard)
Q = Angle Lockwing Ball Valve

NOTE: Unless specified all tandem components have meter nuts without saddles.

For Tandem Series



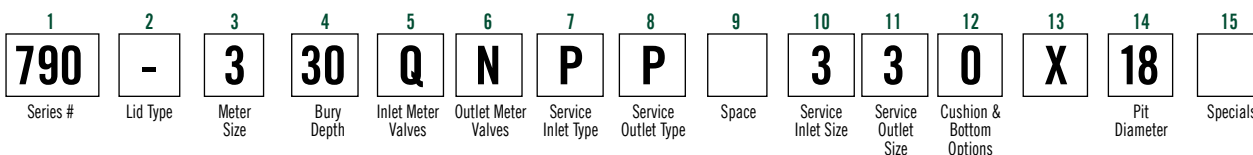
Contact Factory for Tandems

790 Series - Coil Pit Setters

5/8", 5/8" X 3/4", 3/4", & 1" METERS

Standard Meter Lay Lengths -

- 7.5" - 5/8" Meters
- 7.5" - 5/8" x 3/4" Meters
- 9" - 3/4" Meters
- 10.75" - 1" Meters



Step #1 - Choose your base pit setter

790 Series

Single Coil Pit Setter (Standard Port)

Base Model #	Meter Size	Inlet Meter Valve	Outlet Meter Valve	Service Inlet & Outlet	Pit Diameter	Base Price
790-130QNPP 330X15	5/8"	Standard Port Ball Valve	Meter Nut	3/4" MNPT	15"	\$ 694.30
790-130QNPP 330X18	5/8"	Standard Port Ball Valve	Meter Nut	3/4" MNPT	18"	\$ 758.68
790-230QNPP 330X15	5/8" x 3/4"	Standard Port Ball Valve	Meter Nut	3/4" MNPT	15"	\$ 694.30
790-230QNPP 330X18	5/8" x 3/4"	Standard Port Ball Valve	Meter Nut	3/4" MNPT	18"	\$ 758.68
790-330QNPP 330X15	3/4"	Standard Port Ball Valve	Meter Nut	3/4" MNPT	15"*	\$ 694.30
790-330QNPP 330X18	3/4"	Standard Port Ball Valve	Meter Nut	3/4" MNPT	18"	\$ 758.68
790-430QNPP 440X18	1"	Standard Port Ball Valve	Meter Nut	1" MNPT	18"	\$ 975.89
790-430QNPP 440X21	1"	Standard Port Ball Valve	Meter Nut	1" MNPT	21"	\$ 1,086.58

*3/4" Short Meter Only

790 Series

Single Coil Pit Setter (Full Port)

Base Model #	Meter Size	Inlet Meter Valve	Outlet Meter Valve	Service Inlet & Outlet	Pit Diameter	Base Price
790-130KNPP 330X15	5/8"	Full Port Ball Valve	Meter Nut	3/4" MNPT	15"	\$ 709.64
790-130KNPP 330X18	5/8"	Full Port Ball Valve	Meter Nut	3/4" MNPT	18"	\$ 774.03
790-230KNPP 330X15	5/8" x 3/4"	Full Port Ball Valve	Meter Nut	3/4" MNPT	15"	\$ 709.64
790-230KNPP 330X18	5/8" x 3/4"	Full Port Ball Valve	Meter Nut	3/4" MNPT	18"	\$ 774.03
790-330KNPP 330X15	3/4"	Full Port Ball Valve	Meter Nut	3/4" MNPT	15"*	\$ 709.64
790-330KNPP 330X18	3/4"	Full Port Ball Valve	Meter Nut	3/4" MNPT	18"	\$ 774.03
790-430KNPP 440X18	1"	Full Port Ball Valve	Meter Nut	1" MNPT	18"	\$ 992.84
790-430KNPP 440X21	1"	Full Port Ball Valve	Meter Nut	1" MNPT	21"	\$ 1,103.53

*3/4" Short Meter Only

791 Series

Dual Coil Pit Setter (Standard Port)

Base Model #	Meter Size	Inlet Meter Valve	Outlet Meter Valve	Service Inlet & Outlet	Pit Diameter	Base Price
791-130QNPP 430X18	5/8"	Standard Port Ball Valve	Meter Nut	3/4" MNPT	18"	\$ 1,147.52
791-130QNPP 430X21	5/8"	Standard Port Ball Valve	Meter Nut	3/4" MNPT	21"	Contact Factory
791-230QNPP 430X18	5/8" x 3/4"	Standard Port Ball Valve	Meter Nut	3/4" MNPT	18"	\$ 1,147.52
791-230QNPP 430X21	5/8" x 3/4"	Standard Port Ball Valve	Meter Nut	3/4" MNPT	21"	Contact Factory
791-330QNPP 430X18	3/4"	Standard Port Ball Valve	Meter Nut	3/4" MNPT	18"	\$ 1,147.52
791-330QNPP 430X21	3/4"	Standard Port Ball Valve	Meter Nut	3/4" MNPT	21"	Contact Factory
791-430QNPP 440X18	1"	Standard Port Ball Valve	Meter Nut	1" MNPT	18"	\$ 1,147.52
791-430QNPP 440X21	1"	Standard Port Ball Valve	Meter Nut	1" MNPT	21"	\$ 2,806.85

792 Series

Tandem Coil Pit Setter (Standard Port) - Note: A PRV length and connection type are required

Base Model #	Meter Size	Inlet Meter Valve	Outlet Meter Valve	Service Inlet & Outlet	Pit Diameter	Base Price
792-130QNPP 330X15	5/8"	Standard Port Ball Valve	Meter Nut	3/4" MNPT	15"	\$ 866.83
792-130QNPP 330X18	5/8"	Standard Port Ball Valve	Meter Nut	3/4" MNPT	18"	\$ 930.95
792-230QNPP 330X15	5/8" x 3/4"	Standard Port Ball Valve	Meter Nut	3/4" MNPT	15"	\$ 866.83
792-230QNPP 330X18	5/8" x 3/4"	Standard Port Ball Valve	Meter Nut	3/4" MNPT	18"	\$ 930.95
792-330QNPP 330X15	3/4"	Standard Port Ball Valve	Meter Nut	3/4" MNPT	15"*	\$ 866.83
792-330QNPP 330X18	3/4"	Standard Port Ball Valve	Meter Nut	3/4" MNPT	18"	\$ 930.95
792-430QNPP 440X18	1"	Standard Port Ball Valve	Meter Nut	1" MNPT	18"	\$ 1,250.75
792-430QNPP 440X21	1"	Standard Port Ball Valve	Meter Nut	1" MNPT	21"	\$ 1,361.48

*3/4" Short Meter Only

790 Series - Coil Pit Setters

5/8", 5/8" X 3/4", 3/4", & 1" METERS

Step #2 - Choose Your Lid Type
 Note: Frame & Cover sold separately

List Price Adders:

Description	Model # Slot 2	18" Pit Diameter	21" Pit Diameter	24" Pit Diameter
Standard Flat Lid	-	\$ 0.00	\$ 0.00	\$ 0.00
W-Style Frame & Cover	W	(\$ 45.78)	(\$ 45.78)	(\$ 47.96)

Step #3 - Choose Your Bury Depth

Note: Contact the Factory for additional depth & diameter configurations

List Price Adders:

Height	Model # Slot 4	15" Pit Diameter		18" Pit Diameter		21" Pit Diameter	
		5/8", 5/8" x 3/4" & 3/4" Meter	5/8", 5/8" x 3/4" & 3/4" Meter	1" Meter	5/8", 5/8" x 3/4" & 3/4" Meter	1" Meter	
30"	30	\$ 0.00	\$ 0.00	\$ 0.00	\$ 0.00	\$ 0.00	
36"	36	\$ 31.15	\$ 46.63	\$ 46.63	\$ 67.45	\$ 67.45	
42"	42	\$ 62.34	\$ 93.20	\$ 93.20	\$ 134.89	\$ 134.89	
48"	48	\$ 93.49	\$ 139.81	\$ 139.81	\$ 202.35	\$ 202.35	
54"	54	\$ 124.66	\$ 186.42	\$ 186.42	\$ 269.81	\$ 269.81	
60"	60	\$ 155.82	\$ 233.05	\$ 233.05	\$ 337.26	\$ 337.26	
66"	66	\$ 187.01	\$ 279.61	\$ 279.61	\$ 404.67	\$ 404.67	
72"	72	\$ 218.14	\$ 326.22	\$ 326.22	\$ 472.13	\$ 472.13	
78"	78	\$ 249.35	\$ 372.82	\$ 372.82	\$ 539.59	\$ 539.59	
84"	84	\$ 280.50	\$ 419.42	\$ 419.42	\$ 607.05	\$ 607.05	
90"	90	\$ 311.67	\$ 466.03	\$ 466.03	\$ 674.49	\$ 674.49	
96"	96	\$ 342.81	\$ 512.64	\$ 512.64	\$ 741.95	\$ 741.95	

Step #4 - Choose Your Meter Valves

Note: add for each Valve added to Pit Setter AND subtract the Ball Valve if removed from Pit Setter

List Price Adders:

Meter Inlet & Outlet	Model # Slot 5 & 6	15	5/8" & 5/8" x 3/4" Meter	3/4" Meter	1" Meter
Meter Nut	N		\$ 0.00	\$ 0.00	\$ 0.00
Lockwing Plug Valve	G		\$ 33.43	\$ 33.43	\$ 37.10
Lockwing Ball Valve	Q		\$ 30.88	\$ 30.88	\$ 55.39
Lockwing Full Port Ball Valve	K		\$ 46.23	\$ 46.23	\$ 72.34
Single Check	A		\$ 19.24	\$ 19.24	\$ 51.98
Cascading Dual Check	F	X992	\$ 26.79	\$ 26.79	\$ 27.25
Dual Check	F		\$ 35.51	\$ 35.51	\$ 43.60
1" Port Angle Dual Check	P		N/A	N/A	\$ 66.66

Step #5 - Choose Your Service Inlet & Outlet Connections

Note: A 74754 Female Adapter can be used to convert to other types of pipe on page 174
 Price below is per side

List Price Adders:

Service Inlet & Outlet	Model # Slot 7 & 8	10 & 11	5/8" & 5/8" x 3/4" Meter	3/4" Meter	1" Meter
3/4" Male Iron Pipe	P	3	\$ 0.00	\$ 0.00	N/A
1" Male Iron Pipe	P	4	Contact Factory	Contact Factory	\$ 0.00

Step #6 - Add for Specials - **Contact the Factory**

Coiled Pit Options Order Separately

Lid Selection Example

90L	15	CL	X800
90L / Diameter Lid Option		For Plastic Locking Lid	

Flat Lid

	90L	15	18	21	OPTIONS
Locking		\$ 128.08	\$ 131.14	\$ 189.45	-
Center Locking		\$ 96.86	\$ 108.49	\$ 155.34	CL
Non-Locking		\$ 66.04	\$ 76.37	\$ 180.13	N
Non-Locking Offset Hole		\$ 80.33	\$ 90.67	\$ 183.77	NT
Non-Locking Center Hole		\$ 80.33	\$ 90.67	\$ 183.77	NTC
Locking Recessed 2" Hole		\$ 114.78	\$ 131.32	N/A	RG
Non-Locking Recessed 2" Hole		\$ 98.87	\$ 116.73	N/A	RGN
Locking Offset Hole		\$ 131.72	\$ 134.78	\$ 193.08	T
Locking Center Hole		\$ 131.72	\$ 134.78	\$ 193.08	TC

90 Series - Flat Lids, Extensions, Insulating Cushion, Bottoms

Cast iron flat lids are designed to fit 15", 18" and 21" inside dimension tile sizes and are designed for lawn or sidewalk installations and come with a standard pentagon locking device.

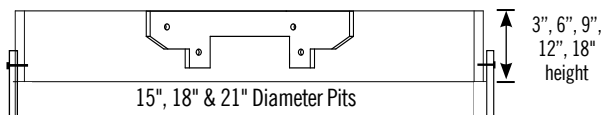


TOP COVERS ONLY

COVER & TILE SIZE	BASIC MODEL NO.	OPTIONS (Add To Model Number)										
		LARGE BOLT	NON-LOCKING	4 1/2" RECESSED PAD	OBLONG HOLE	OFFSET RIGHT SINGLE HOLE	DOUBLE HOLE	SINGLE CENTER HOLE	CAST IRON PLUG IN SINGLE HOLE	LOCKING	CENTER LOCKING	NO MARKING
15"	90L15	LB	N	R	G	T	TT	TC	P	Standard	CL	--
18"	90L18	LB	N	R	G	T	TT	TC	P	Standard	CL	NM
21"	90L21	LB	N	R	G	T	TT	TC	P	Standard	CL	--

◆Available with plastic lid add (X800) to model #.

90-EXT - Pit Extensions



90-EXT - Sizes

Size	List Price	Size	List Price	Size	List Price
15" x 03"	\$ 33.65	18" x 03"	\$ 39.25	21" x 03"	\$ 44.58
15" x 06"	\$ 50.91	18" x 06"	\$ 62.96	21" x 06"	\$ 73.32
15" x 09"	\$ 68.18	18" x 09"	\$ 86.67	21" x 09"	\$ 102.07
15" x 12"	\$ 85.45	18" x 12"	\$ 110.36	21" x 12"	\$ 130.82
15" x 18"	\$ 119.99	18" x 18"	\$ 157.78	21" x 18"	\$ 188.31
15" x 24"	\$ 154.52	18" x 24"	\$ 205.18		
15" x 36"	\$ 223.59	18" x 36"	\$ 300.00		
15" x 48"	\$ 292.67	18" x 48"	\$ 394.81		

90-C1 - Insulation Cushion

Insulating cushion sold separately 2" & 4"



90-C1 - Sizes

Size	Model	Price
15" x 2"	90-C1 15X2	\$ 16.86
15" x 4"	90-C1 15X4	\$ 31.94
18" x 2"	90-C1 18X2	\$ 38.25
18" x 4"	90-C1 18X4	\$ 50.88
21" x 2"	90-C1 21X2	\$ 59.67
21" x 4"	90-C1 21X4	\$ 87.86

90-ERT

Used on underside of plastic lids to hold electronic reader antenna \$ 7.96



90-BOT - Aluminum Bottom

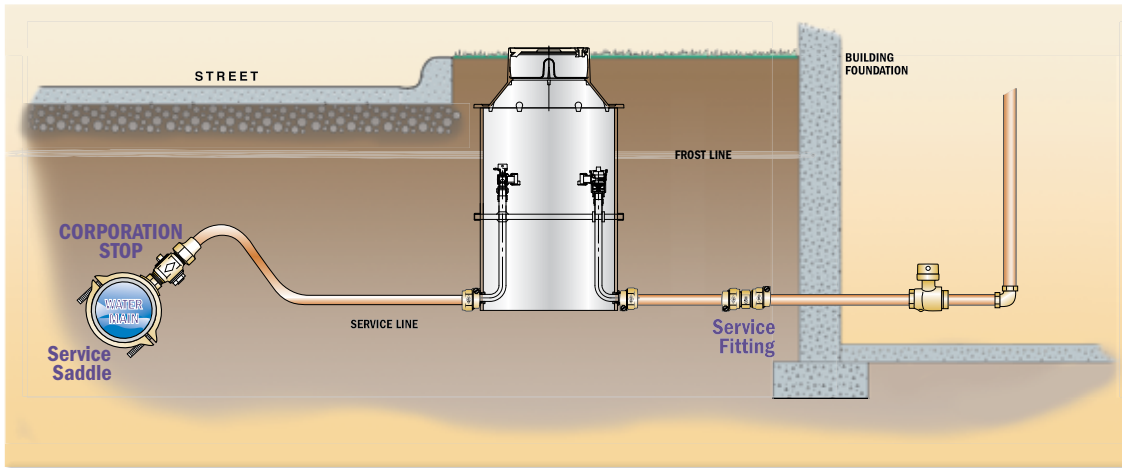
Aluminum bottom sold separately 15", 18", & 21"



Size	Model	Price
15"	90-BOT 15	\$ 10.29
18"	90-BOT 18	\$ 39.56
21"	90-BOT 21	\$ 71.22

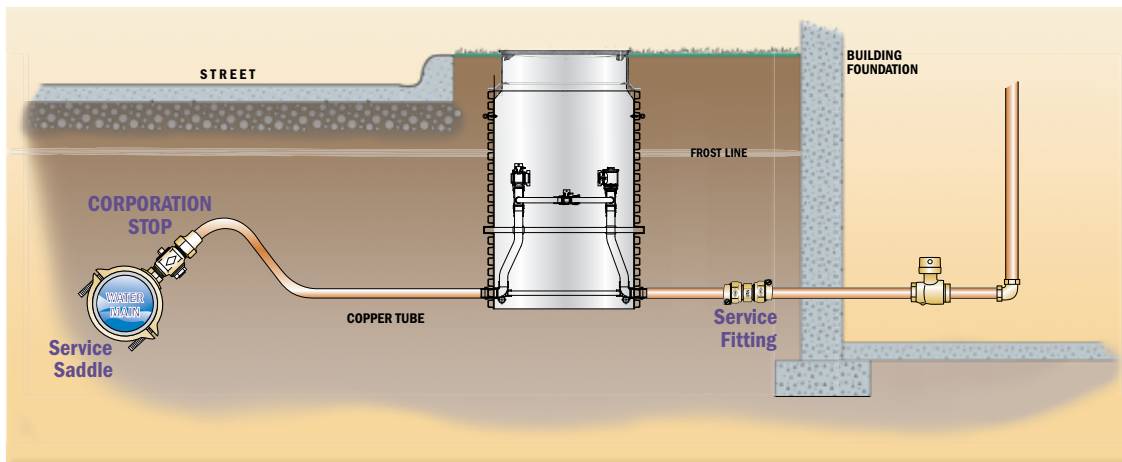
5/8", 5/8" x 3/4", 3/4" & 1" - Meter Installations

Meter must be below the frost line



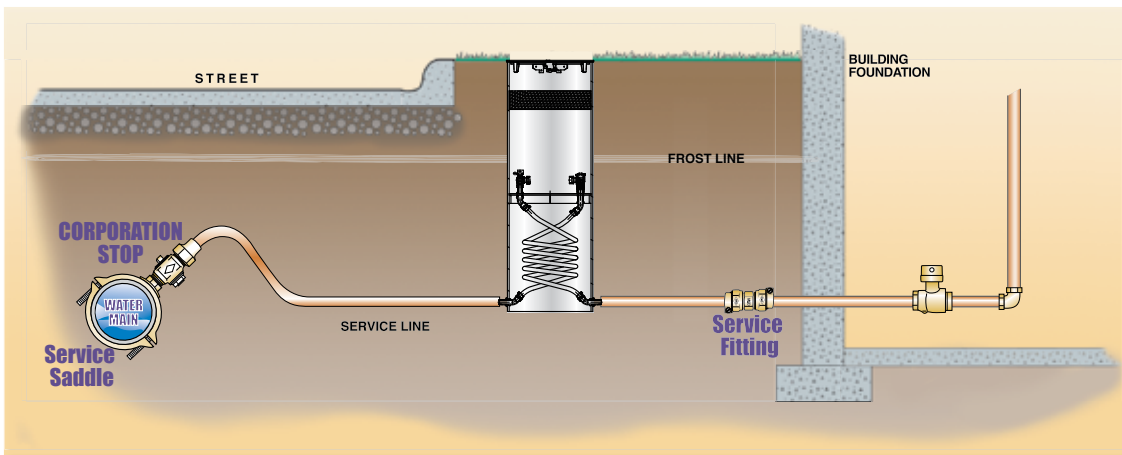
1 1/2" & 2" - Meter Installations

Meter must be below the frost line



Coiled Pit Installations

Meter must be below the frost line





Meter Box Frames & Covers



Meter Box Frames & Covers

Water Works Catalog / Price List - July 2017

MORE THAN A BRAND. WE'RE A FAMILY.

74MA Series - Frames & Covers

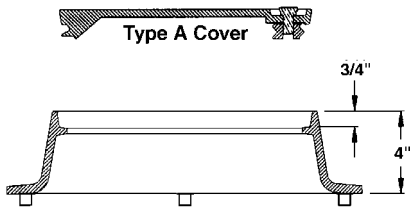
"A" STYLE



Standard "A"

Recessed Cover & Frame

Designed primarily for lawn and sidewalk installations.



Meter Box Cover

- Designed to rest on top of meter frames
- Contact factory for additional recessed pad and hole configurations
- Standard locking lid

Meter Box Frame

- Allows an 11 1/2" or 15" clear opening
- Centering lugs for 15", 18", 20", or 21" tiles

Standard "A" Style - Recessed Frame & Cover set

Model	Frame/ Tile Size	Cover Opening Size	EA/WT	Price
74M1A	15"	8"	23	\$ 132.04
74M31A	15"	11 1/2"	30	\$ 119.49
74M32A	18"	11 1/2"	35	\$ 121.61
74M3A	20"	11 1/2"	36	\$ 148.46
74M4A	21"	11 1/2"	42	\$ 200.40
74M53A	20"	15"	46	\$ 249.18

"A" Style - Frames Only

Model	EA/WT	Price
74MAF15X8	18	\$ 88.52
74MAF15	20	\$ 74.68
74MAF18	24.5	\$ 76.80
74MAF20	25.5	\$ 103.65
74MAF21	33	\$ 155.59
74MAF20X15	27.5	\$ 157.01

"A" Style - Covers Only

Model	EA/WT	Price
74MAL8	5	\$ 43.52
74MAL115	9.5	\$ 44.81
74MAL115	9.5	\$ 44.81
74MAL115	9.5	\$ 44.81
74MAL115	9.5	\$ 44.81
74MAL15	18.5	\$ 92.17



Spiked "AS"



Heavy Duty (H)

Spiked "AS" Style - Recessed Frame & Cover Set

Model	Frame/ Tile Size	Cover Opening Size	EA/WT	Price
74M3AS	20"	11 1/2"	37	\$ 186.35

Heavy Duty "A" - Style Recessed Frame & Cover Set

Model	Frame/ Tile Size	Cover Opening Size	EA/WT	Price
74H32A	18"	11 1/2"	62	\$ 318.16

Spiked "AS" - Frame Only

Model	EA/WT	Price
74MASF20	25	\$ 141.54

Spiked "AS" - Cover Only

Model	EA/WT	Price
74MAL115	10	\$ 44.81

Heavy Duty "A" Frame Only

Model	EA/WT	Price
74HAF18	40	\$ 216.26

Heavy Duty "A" Cover Only

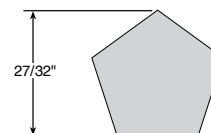
Model	EA/WT	Price
74MAL115H	22	\$ 101.90

Options Available on "A" Type Cover

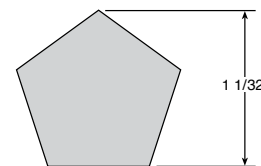
Options	74MAL8	74MAL115	74MAL15	74MAL115H	Plastic Lid	Add
LB - Large pentagon bolt	•	•	•	•	•	N/C
H - Heavy Duty		•				\$ 57.09
RB - Large recessed oblong hole		•				\$ 3.73
RG - Recessed oblong hole		•		•		\$ 3.73
RRGG - Double recessed oblong hole		•				\$ 7.46
T - 2" offset hole		•	•	•		\$ 3.73
TT - Two 2" holes		•	•	•		\$ 7.46
TC - 2" center hole		•	•	•	•	\$ 3.73
RTC - Recessed center hole		•				\$ 3.73
P - 2" hole plug		•	•	•		\$ 7.00
PP - Two 2" hole plugs		•	•	•		\$ 14.00
E - Non-locking hook		•				N/C
NL - No lock in lid	•	•	•			N/C
SW - Sewer Marking	•					N/C
NM - No marking	•					N/C
X800 - Plastic lid		•				N/C
WO - Water marking	•					N/C

Pentagon Bolts

- Small water works pentagon bolt furnished as standard.
- Large pentagon bolt available ("LB" Option).



SMALL (Standard)



LARGE

74MC Series - Frames & Covers

"C" STYLE



Standard "C"

Non-Recessed Cover & Frame

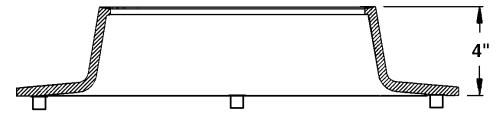
Designed primarily for lawn installations.

Meter Box Cover

- Designed to rest on top of meter frames
- Contact factory for additional recessed pad and hole configurations
- Standard locking lid

Meter Box Frame

- Allows an 11 1/2" or 15" clear opening
- Centering lugs for 15", 18", 20", or 21" tiles



Standard "C" Style Non-Recessed Frame & Cover Set

Model	Frame/ Tile Size	Cover Opening Size	EA/WT	Price
74M31C	15"	11 1/2"	1/27	\$ 105.89
74M32C	18"	11 1/2"	1/32	\$ 110.42
74M3C	20"	11 1/2"	1/37	\$ 139.44
74M4C	21"	11 1/2"	1/37	\$ 205.84
74M52C	18"	15"	1/35	\$ 180.58
74M53C	20"	15"	1/44	\$ 214.69

"C" Style - Frames Only

Model	EA/WT	Price
74MCF15	1/17	\$ 54.37
74MCF18	1/21	\$ 58.90
74MCF20	1/25	\$ 87.92
74MCF21	1/33	\$ 154.32
74MCF18X15	1/19	\$ 68.76
74MCF20X15	1/27	\$ 102.87

"C" Style - Covers Only

Model	EA/WT	Price
74MCL115	1/10	\$ 51.52
74MCL115	1/10	\$ 51.52
74MCL115	1/10	\$ 51.52
74MCL115	1/10	\$ 51.52
74MCL15	1/17	\$ 111.82
74MCL15	1/17	\$ 111.82

Meter Box Frames & Covers



Spiked "AC"

Standard "AC" Style - Recessed Frame & Cover Set

Model	Frame/ Tile Size	Cover Opening Size	EA/WT	Price
74M32AC	18"	11 1/2"	1/34	\$ 152.68
74M3AC	20"	11 1/2"	1/34	\$ 216.14

"AC" Style - Frames Only

Model	EA/WT	Price
74MACF18	1/24	\$ 101.16
74MACF20	1/27	\$ 164.62

"AC" Style - Covers Only

Model	EA/WT	Price
74MCL115	1/10	\$ 51.52
74MCL115	1/10	\$ 51.52

Options Available on "C" Type Cover

Options	74MCL115	74MCL15	Plastic Lid	Add
LB - Large pentagon bolt	•	•	•	N/C
RB - Large recessed oblong hole	•			\$ 3.73
RG - Recessed oblong hole	•			\$ 3.73
RRTT - Double recessed hole	•			\$ 7.46
T - 2" offset hole	•	•		\$ 3.73
TT - Two 2" holes	•	•		\$ 7.46
TC - 2" center hole	•			\$ 3.73
RTC - Recessed center hole	•		•	\$ 3.73
P - 2" hole plug	•	•		\$ 7.00
PP - Two 2" hole plugs	•	•		\$ 14.00
E - Non-locking hook	•			N/C
NL - No lock in lid	•			N/C
SW - Sewer Marking	•			N/C
X800 - Plastic lid	•			N/C

74MW Series - Frames & Covers

"W" STYLE



"W" Style

Recessed Cover, Cast Iron Frame with Plastic Inner Lid

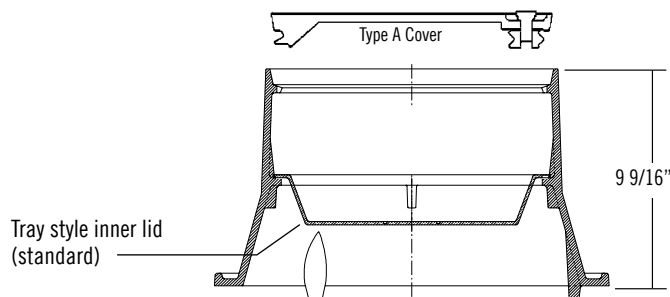
"W" style frame and cover is designed for lawn or sidewalk installations and come with a standard pentagon locking lid. This design also comes standard with a plastic inner lid that creates a "dead air" space for greater frost protection.

Meter Box Cover

- Designed to fit into meter box frames
- Plastic inner lid is provided as standard
- Standard locking lid
- Contact factory for additional recessed pad and hole configurations

Meter Box Frame

- Allows an 11 7/16" clear opening
- Centering lugs for 18", 20", or 21" tiles
- Slotted to pass inner lid
- One-piece frame



"W" Style Recessed Covers with Plastic Inner Lid, Riser and Frame Set

Model	Frame/ Tile Size	Cover Opening Size	EA/WT	Price
74M32W	18"	11 1/2"	1/54	\$ 224.88
74M3W	20"	11 1/2"	1/75	\$ 245.47
74M4W	21"	11 1/2"	1/78	\$ 305.75

"W" Style - Frames Only

Model	EA/WT	Price
74MWF18	1/50	\$ 180.07
74MWF20	1/65	\$ 200.66
74MWF21	1/65	\$ 260.94

"W" Style - Covers Only

Model	EA/WT	Price
74MAL115	1/10	\$ 44.81
74MAL115	1/10	\$ 44.81
74MAL115	1/10	\$ 44.81

Plastic Inner Lid - Tray Style (standard)

Model	EA/WT	Price
74MPILT	1/2	\$ 8.80

Plastic Inner Lid

Model	EA/WT	Price
74MPIL	1/1	\$ 8.34

Aluminum Inner Lid

Model	EA/WT	Price
74MAIL	1/2	\$ 52.21

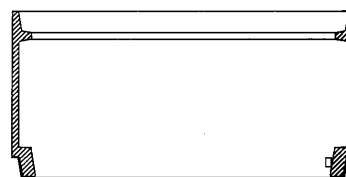
Options Available on "W" Type Cover

Options	74MAL115	74MAL115H	Plastic Lid	Add
LB - Large pentagon bolt	•	•	•	N/C
H - Heavy Duty				\$ 57.09
RB - Large recessed oblong hole	•			\$ 3.73
RG - Recessed oblong hole	•	•		\$ 3.73
RRGG - Double recessed oblong hole	•			\$ 7.46
T - 2" offset hole	•	•		\$ 3.73
TT - Two 2" holes	•	•		\$ 7.46
TC - 2" center hole	•	•	•	\$ 3.73
RTC - Recessed center hole	•			\$ 3.73
P - 2" hole plug	•	•		\$ 7.00
PP - Two 2" hole plugs	•	•		\$ 14.00
E - Non-locking hook	•			N/C
NL - No lock in lid	•	•		N/C
X800 - Plastic lid	•			N/C

Riser Ring

For "A" or "W" Frames

Model	EA/WT	Price
74MWR	1/18	\$ 122.07



5 1/2" Optional Riser Ring for A or W Frame
74MWR - Uses 11 1/2" Cover

74MX Series - Frames & Covers

"X" STYLE



"X" Style

Hinged Frame with Non-Recessed Cover

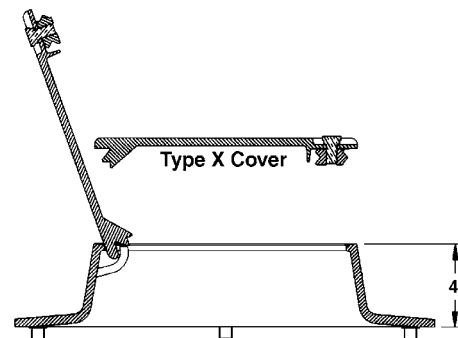
Designed for lawn or sidewalk installations and comes with a standard pentagon locking lid. Frame has an integral support bracket to hold cover in an open position.

Meter Box Cover

- Designed to rest on top of meter box frames
- Standard locking lid

Meter Box Frame

- Allows an 11 1/2" or 13 1/2" clear opening
- Centering lugs for 18" and 20" tiles



Meter Box Frames & Covers

"X" Style Non-Recessed Covers with Hinged Frame

Model	Frame/ Tile Size	Cover Opening Size	EA/WT	Price
74M32X	18"	11 1/2"	1/30	\$ 115.00
74M43X	20"	13 1/2"	1/44	\$ 180.29

"X" Style - Frames Only

Model	EA/WT	Price
74MXF18	1/22	\$ 56.94
74MXF20X135	1/28	\$ 94.62

"X" Style - Covers Only

Model	EA/WT	Price
74MXL115	1/11	\$ 58.06
74MXL135	1/18	\$ 85.67

Options Available on "X" Type Cover

Options	74MXL115	74MXL135	Add
LB - Large pentagon bolt	•	•	N/C
RB - Large recessed oblong hole	•		\$ 3.73
RG - Recessed oblong hole	•	•	\$ 3.73
T - 2" offset hole	•	•	\$ 3.73
TT - Two 2" holes	•	•	\$ 7.46
TC - 2" center hole	•	•	\$ 3.73
RTC - Recessed center hole			\$ 3.73
P - 2" hole plug	•	•	\$ 7.00
PP - Two 2" hole plugs	•	•	\$ 14.00
NL - No lock in lid	•	•	N/C

74M Series - Frames & Covers

MONITOR STYLE



74M36 Assembly-Flange, Riser-Ring, Cover

Monitor Cover, Riser Ring, & Flange for 24", 30", & 36" Diameter Pits

Monitor assembly provides 20" clear opening access to meter pit and a standard pentagon locking lid. Optional cast iron inner lid and extra heavy cover available upon request.

Meter Box Cover

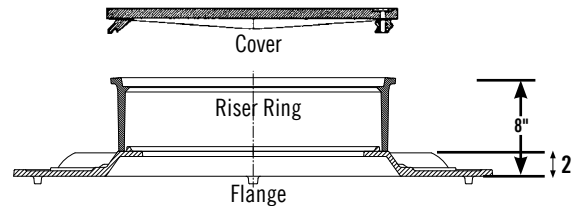
- Designed to recess into top of riser ring
- Contact factory for additional recessed pad and hole configurations

Meter Box Riser Ring

- Provides 20" opening to meter settings 6" height

Meter Box Flange

- Available for 24", 30", or 36" Inside Diameter tile



Monitor Style Cover, Riser, & Flange

Model	Frame/Tile Size	Cover Opening Size	EA/WT	Price
74M24	24"	20"	1/125	\$ 561.34
74M27	27"	20"	1/130	\$ 616.20
74M30	30"	20"	1/146	\$ 678.93
74M36	36"	20"	1/205	\$1,006.03

Flange Only

Model	Frame/Tile Size	EA/WT	Price
74MF1000	24"	1/34	\$ 145.14
74MF1005	27"	1/55	\$ 200.12
74MF1010	30"	1/66	\$ 262.73
74MF1020	36"	1/116	\$ 589.83

Riser Only

Model	EA/WT	Price
74MR1000	1/34	\$ 237.48
74MR1000	1/34	\$ 237.48
74MR1000	1/34	\$ 237.48
74MR1000	1/34	\$ 237.48

Cover Only

Model	EA/WT	Price
74ML20	1/43	\$ 178.72
74ML20	1/43	\$ 178.72
74ML20	1/43	\$ 178.72
74ML20	1/43	\$ 178.72

Options Available with Monitor Type Cover

Options	74ML20	74ML20H	74ML20HH	Plastic Lid	Add
LB - Large pentagon bolt	•	•	•	•	N/C
H - Heavy Duty	•				\$ 130.50
HH - Extra Heavy	•				\$ 165.25
RG - Recessed oblong hole	•				\$ 38.98
T - 2" offset hole	•	•	•		\$ 38.98
TT - Two 2" holes	•				\$ 45.06
RT - Recessed offset hole	•				\$ 38.98
P - 2" hole plug	•			•	\$ 7.00
PP - Two 2" hole plugs	•				\$ 14.00
NL - No lock in lid	•	•	•		N/C
SW - Sewer Marking	•				N/C
X800 - Plastic lid	•				N/C

Cast Iron Inner Lid - 74MIL

IL - Cast iron inner lid added to frame and cover \$122.86 or sold separate \$122.86

74MPR Series - Frames & Covers

“PR” STYLE



Frame



Cover

Round Pit Ring & Cover

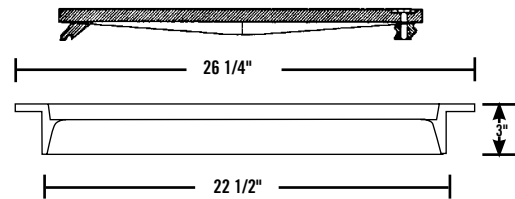
Pit ring (26” diameter) and cover (20” diameter) are designed to be set into concrete and comes with a standard pentagon locking lid. Optional extra heavy covers are available for use with light traffic.

Meter Box Cover

- Extra-heavy covers and double extra-heavy covers are available to use with light traffic
- Standard locking lid
- Contact factory for additional recessed pad and hole configurations

Meter Box Ring

- Round pit ring is made up of a 26” flanged ring and a 20” cover



Meter Box Frames & Covers

“PR” Style - Pipe Ring & Cover Set

Model	Frame/ Tile Size	Cover Opening Size	EA/WT	Price
74MPR10	26”	20”	1/79	\$ 371.66
74MPR11	26”	20”	1/110	\$ 502.16
74MPR12	26”	20”	1/112	\$ 536.91

“PR” Style - Frames Only

Model	EA/WT	Price
74MR1010	1/37	\$ 192.94
74MR1010	1/37	\$ 192.94
74MR1010	1/37	\$ 192.94

“PR” Style - Cover Only

Model	EA/WT	Price
74ML20	1/43	\$ 178.72
74ML20H	1/75	\$ 309.22
74ML20HH	1/75	\$ 343.97

Options Available on “P” Type Cover

Options	74ML20	74ML20H	74ML20HH	Plastic Lid	Add
LB - Large pentagon bolt	•	•	•	•	N/C
H - Heavy Duty	•				\$ 130.50
HH - Extra Heavy	•				\$ 165.25
RG - Recessed oblong hole	•				\$ 38.98
T - 2” offset hole	•	•	•		\$ 38.98
TT - Two 2” holes	•				\$ 45.06
RT - Recessed offset hole	•				\$ 38.98
P - 2” hole plug	•			•	\$ 7.00
PP - Two 2” hole plugs	•				\$ 14.00
NL - No lock in lid	•	•	•		N/C
SW - Sewer Marking	•				N/C
X800 - Plastic lid	•				N/C

74R Series - Frames & Covers

“R” STYLE



74R32A Assembly

Rotational Covers & Frames

Adjustable frame allows up to a maximum 6½” change in grade and comes with a standard pentagon locking lid. Frames are available to fit both 18” and 20” inside dimension tile sizes. Model numbers designated with “AC” accept both “A” and “C” style covers.

Meter Box Cover

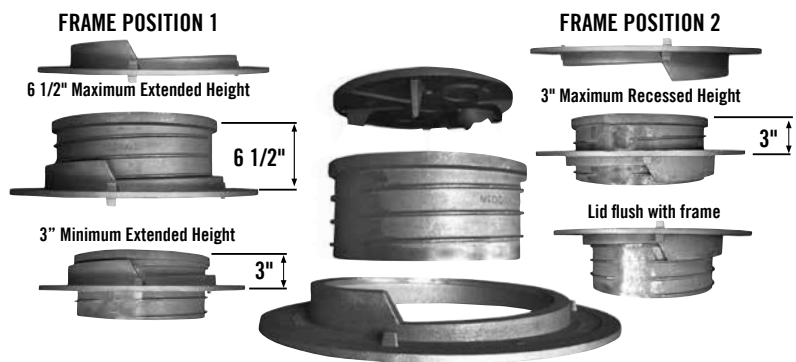
- Designed to recess into top of riser ring
- Contact factory for additional recessed pad and hole configurations

Meter Box Riser Ring

- Provides 11 1/2” opening to meter settings
- In combination with flange adjusts from flush to 6 1/2”

Meter Box Flange

- Available for 18” and 20” tile Inside Diameter (I.D.) size



“R” Style - Frame & Cover Set

Model	Frame/ Tile Size	Cover Opening Size	EA/WT	Price
74R32A	18"	11 1/2"	1/55	\$ 240.56
74R32AC	18"	11 1/2"	1/53	\$ 247.27
74R3A	20"	11 1/2"	1/63	\$ 315.07
74R3AC	20"	11 1/2"	1/59	\$ 321.78

“R” Style - Frames Only

Model	EA/WT	Price
74RF18	1/25	\$ 92.84
74RF18	1/25	\$ 92.84
74RF20	1/32	\$ 167.35
74RF20	1/32	\$ 167.35

“R” Style - Adjustable Riser Only

Model	EA/WT	Price
74RACMR	1/20	\$ 102.91
74RACMR	1/20	\$ 102.91
74RACMR	1/20	\$ 102.91
74RACMR	1/20	\$ 102.91

“R” Style - Covers Only

Model	EA/WT	Price
74MAL115	1/10	\$ 44.81
74MCL115	1/10	\$ 51.52
74MAL115	1/10	\$ 44.81
74MCL115	1/10	\$ 51.52

Options Available on “R” Type Cover

Options	74MAL115	74MCL115	A-Plastic Lid	C-Plastic Lid	Add
LB - Large pentagon bolt	•	•	•	•	N/C
H - Heavy Duty	•	•			\$ 57.09
RB - Large recessed oblong hole	•	•			\$ 3.73
RG - Recessed oblong hole	•	•			\$ 3.73
RRGG - Double recessed oblong hole	•	•			\$ 7.46
RRIT - Double recessed hole	•	•			\$ 7.46
T - 2” offset hole	•	•			\$ 3.73
TT - Two 2” holes	•	•			\$ 7.46
TC - 2” center hole	•	•	•	•	\$ 3.73
RTC - Recessed center hole	•	•			\$ 3.73
P - 2” hole plug	•	•			\$ 7.00
PP - Two 2” hole plugs	•	•			\$ 14.00
E - Non-locking hook	•	•			N/C
NL - No lock in lid	•	•			N/C
SW - Sewer Marking	•	•			N/C
X800 - Plastic lid	•	•			N/C

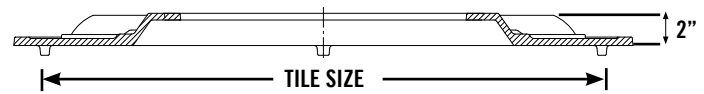
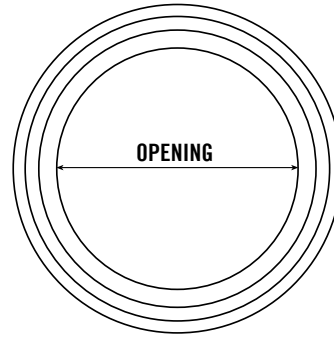
Extension Rings

REDUCING FLANGE FOR LARGE SETTINGS



74MX6 shown

Extension rings adapt 24", 30", and 36" tile Inside Diameter (I.D.) sizes to an 18" or 20" opening.

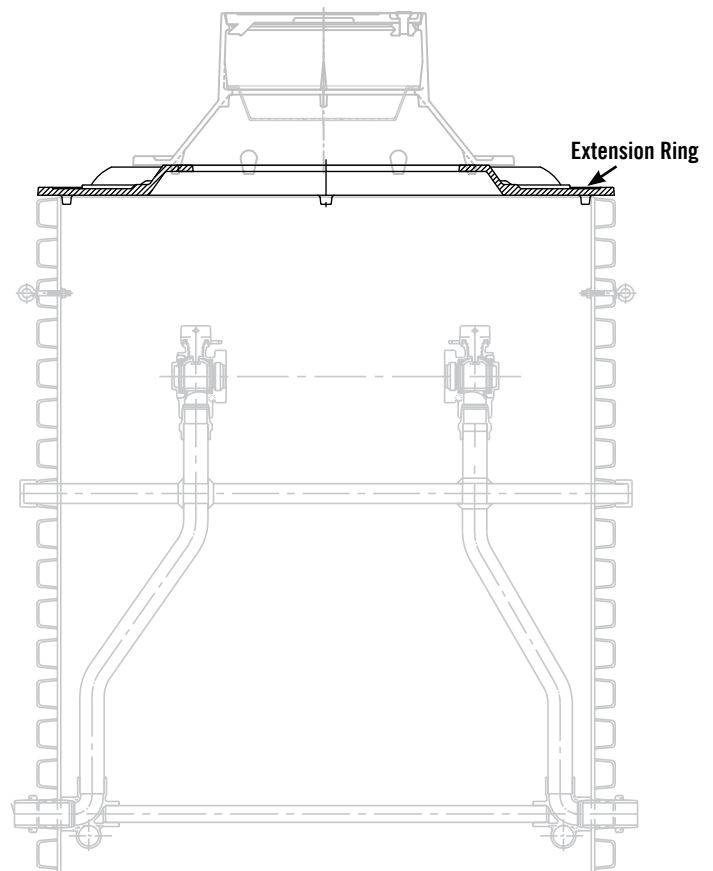


Extension Rings

Model	Opening	Tile Size	EA/WT	Price
74MX1	18"	24"		\$ 145.90
74MX2	20"	24"		\$ 145.90
74MX3	18"	30"		\$ 255.44
74MX4	20"	30"		\$ 255.44
74MX5	20"	36"		\$ 591.36
74MX6	18"	36"		\$ 591.36

NOTES

- 24" Ring does not include support ribs



90L Series

FLAT LIDS

These flat lids are designed to fit 15", 18", and 21" inside dimension tile sizes and are designed for lawn or sidewalk installations and come with a standard pentagon locking device.



"X800"
Plastic

Flat Lid Only

Model	Tile Size	EA/WT	Price
90L15	15"	1/20	\$ 128.08
90L18	18"	1/27	\$ 131.14
90L21	21"	1/36	\$ 189.45

Options for Flat Lid

Options	90L15	90L18	90L21	Plastic Lid	Add
LB - Large pentagon bolt	•	•	•	•	N/C
RG - Recessed oblong hole	•	•	•		\$ 3.73
T - 2" offset hole	•	•	•		\$ 3.73
TT - Two 2" holes	•	•	•		\$ 7.46
TC - 2" center hole	•	•	•	•	\$ 3.73
P - 2" hole plug	•	•			\$ 7.00
PP - Two 2" hole plugs	•	•	•		\$ 14.00
NL - No lock in lid		•			N/C
NM - No marking		•			N/C
X800 - Plastic lid		•	•		N/C
CL - Center locking	•	•	•		N/C



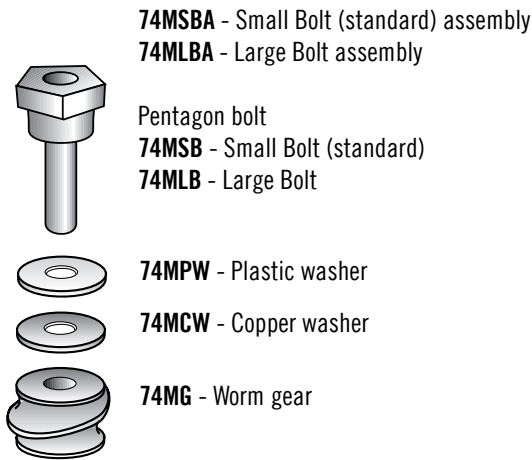
791 Series



7180 Series

Accessories

Worm Gear Lock Assemblies



74MSBA - Small Bolt (standard) assembly
74MLBA - Large Bolt assembly

Pentagon bolt
74MSB - Small Bolt (standard)
74MLB - Large Bolt

74MPW - Plastic washer

74MCW - Copper washer

74MG - Worm gear

74MSBA
Small Bolt & Gear Assembly

Size	Carton PCS/WT	Price
	10/4	\$ 14.97

74MPW
Plastic Washer

Size	Carton PCS/WT	Price
	1/0	\$.33

74MLBA
Large Bolt & Gear Assembly

Size	Carton PCS/WT	Price
	10/1	\$ 14.97

74MCW
Copper Washer

Size	Carton PCS/WT	Price
	1/0	\$.81

74MSB
Small Pentagon Bolt

Size	Carton PCS/WT	Price
	1/0	\$ 6.56

74MG
Worm Gear

Size	Carton PCS/WT	Price
	10/2	\$ 7.16

74MLB
Large Pentagon Bolt

Size	Carton PCS/WT	Price
	1/0	\$ 6.56

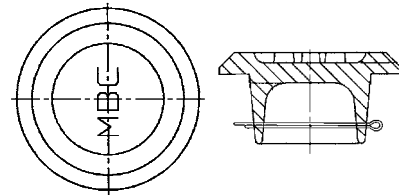
Recessed Pad Gasket

74MGSKT
Fits 4 1/2" recessed pad to cover oblong hole when required.

Size	Carton PCS/WT	Price
	10/1	\$ 21.45



2" Hole Plugs



74MCIPL - Cast iron plug with cotter pin

74MCIPL
Cast Iron Plug w/Cotter Pin

Size	Carton PCS/WT	Price
1 3/4"	1/1	\$ 7.00

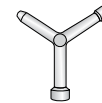
74MPPL
Plastic Plug and Nut

Size	Carton PCS/WT	Price
2"	10/3	\$ 19.03



74MKEY
Meter Box Key #2

Size	Carton PCS/WT	Price
	1/1	\$ 36.48



74PN
Cotter Pin Only - Zinc

Size	Carton PCS/WT	Price
	50/1	\$ 2.18



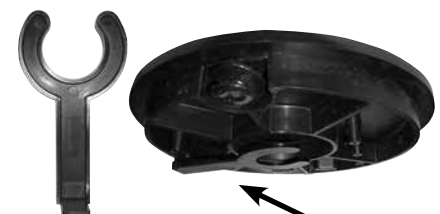
74PNB
Cotter Pin Only - Brass

Size	Carton PCS/WT	Price
	50/1	\$ 2.44



90-ERT Bracket
Mounting bracket for ERT (Encoder Receiver Transmitter) For plastic lid.

Size	Carton PCS/WT	Price
	1/1	\$ 7.96



ERT Mount Bracket

Cover Options

74M SERIES



74MA SERIES



74MC SERIES



74MPR SERIES



74MW SERIES



74MX SERIES



74R SERIES



90L SERIES





Iron Yokes



Iron Yokes

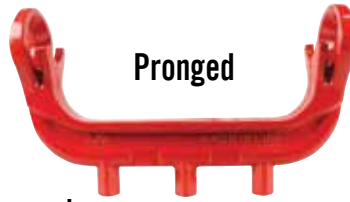
Water Works Catalog / Price List - July 2017

MORE THAN A BRAND. WE'RE A FAMILY.

Yoke Bars



Standard



Pronged



With Integral
FNPT Outlet

Standard

Model	Meter Size	Carton PCS/WT	Price
14-1	5/8"	10/40	\$ 17.60
14-2	5/8" x 3/4"	10/42	\$ 18.42
14-3	3/4"	10/46	\$ 20.98
14-4	1"	5/39	\$ 33.22

Pronged

Model	Meter Size	Carton PCS/WT	Price
14-1P	5/8"	10/43	\$ 19.10
14-2P	5/8" x 3/4"	10/43	\$ 19.76
14-3P	3/4"	10/47	\$ 22.68
14-4P*	1"	5/40	\$ 34.59

*Single Pronge

With Integral FNPT Outlet

Model	Meter Size	Carton PCS/WT	Price
14-1F	5/8"	10/42	\$ 23.59
14-2F	5/8" x 3/4"	10/42	\$ 23.71

14-2-2TB

Dual Yoke Assembly with Tie Bar



Size	Carton PCS/WT	Price
5/8" x 3/4"	3/24	\$ 72.68

14-4-4TB

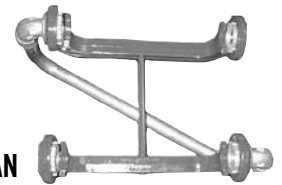
Dual Yoke Assembly with Tie Bar



Size	Carton PCS/WT	Price
1"	3/54	\$ 92.25

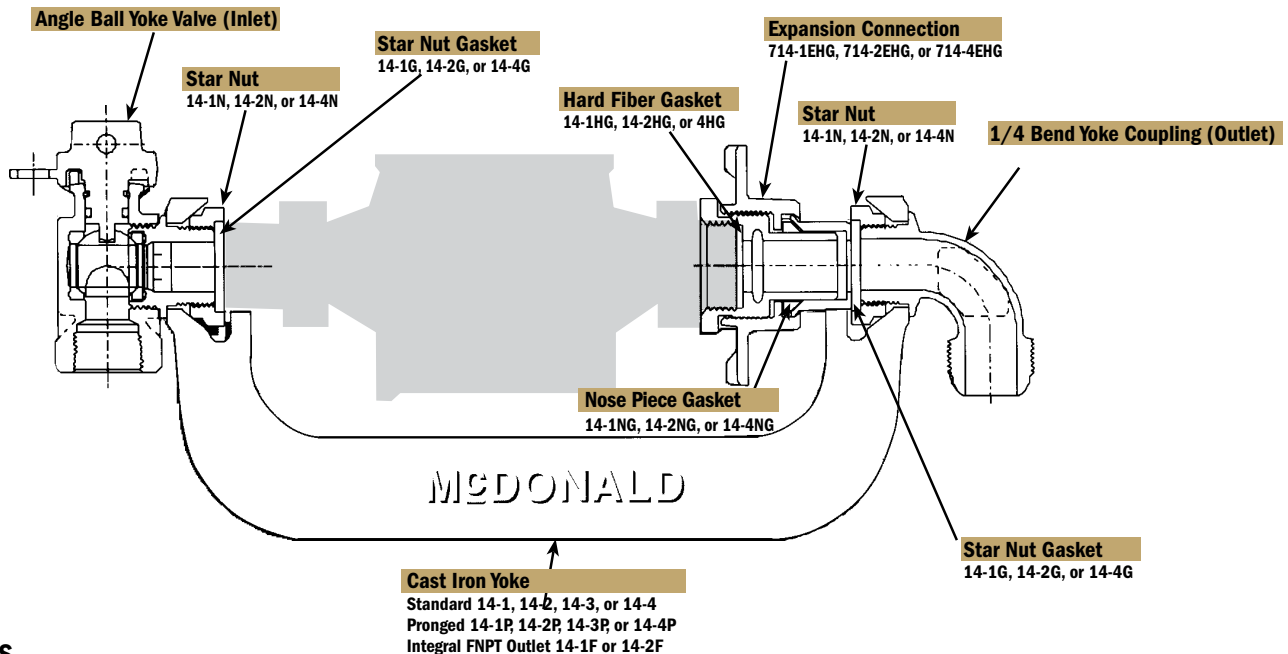
714-1-1TAN

Tandem Yoke Assembly w/Tie Bar



Size	Carton PCS/WT	Price
5/8" x 7.50	4/40	\$ 165.05
5/8" x 6.50	4/40	\$ 165.05

A.Y. McDonald offers a complete line of yoke assemblies and packages. Contact factory for assistance.



NOTES

- All cast brass parts comply with latest revision of AWWA C800.
- Yoke bar material is ASTM A126 Class B cast iron.
- All rubber gaskets are EPDM.
- Ball valves are rated at 300 PSIG water pressure - (See Meter Valve section).
- Plug valves are rated at 100 PSIG water pressure - (See Meter Valve section).
- Cast iron yoke is powder coated.
- Cast iron yoke has support lip to hold meter and expander during installation.
- Three piece brass expander has large tightening spokes and includes two star nut gaskets.

Expansion Connection

HAND WHEEL STYLE



Expander with Hard Gaskets

Model	Meter Size	Price
714-1EHG	5/8"	\$ 28.92
714-2EHG	5/8" x 3/4" or 3/4"	\$ 32.78
714-4EHG	1"	\$ 55.06

Includes 2 star nut meter gaskets

Expander with Soft Gaskets

Model	Meter Size	Price
714-1ESG	5/8"	\$ 28.92
714-2ESG	5/8" x 3/4" or 3/4"	\$ 32.78
714-4ESG	1"	\$ 55.06

Includes 2 star nut gaskets

WRENCH STYLE



Expander with Hard Gaskets

Model	Meter Size	Price
714-1WEHG	5/8"	\$ 28.92
714-2WEHG	5/8" x 3/4" or 3/4"	\$ 32.78
714-4WEHG	1"	\$ 55.06

Includes 2 star nut meter gaskets

CHECK VALVE & LOCK VERSIONS

5/8" Meter

714-1EDC

Yoke Expander with Dual Check

Size	Carton PCS/WT	Price
5/8"	20/14	\$ 55.94

714-1E--LCK

Yoke Expander with Lock

Size	Carton PCS/WT	Price
5/8"	20/28	\$ 55.60

714-1EDCLCK

Yoke Expander w/Dual Check and Lock

Size	Carton PCS/WT	Price
5/8"	20/30	\$ 82.62

5/8" x 3/4" & 3/4" Meter

714-2EDC

Yoke Expander with Dual Check

Size	Carton PCS/WT	Price
5/8" x 3/4" or 3/4"	20/20	\$ 59.80

714-2E--LCK

Yoke Expander with Lock

Size	Carton PCS/WT	Price
5/8" x 3/4" or 3/4"	20/22	\$ 63.06

714-2EDCLCK

Yoke Expander w/Dual Check and Lock

Size	Carton PCS/WT	Price
5/8" x 3/4" or 3/4"	20/22	\$ 90.07

1" Meter

714-4ESC

Yoke Expander with Single Check

Size	Carton PCS/WT	Price
1"	18/33	\$ 86.15

714-4E--LCK

Yoke Expander with Lock

Size	Carton PCS/WT	Price
1"	18/33	\$ 95.47

714-4ESCLCK

Yoke Expander w/Single Check and Lock

Size	Carton PCS/WT	Price
1"	18/33	\$ 126.58

UFR For Iron Yoke

SINGLE INLINE CARTRIDGE STYLE

7201C3YE

Star Nut x FNPT

Size	Carton PCS/WT	Price
331	10/10	\$ 147.09
331 x 001	10/10	\$ 156.32
332	10/10	\$ 147.09
332 x 001	10/10	\$ 156.32

7201C3Y2

Star Nut x -22 CTS

Size	Carton PCS/WT	Price
331	10/10	\$ 163.83
331 x 001	10/10	\$ 173.04
332	10/10	\$ 163.83
332 x 001	10/10	\$ 173.04

SINGLE ANGLE CARTRIDGE STYLE

7202-3YE

Star Nut x FNPT Angle UFRs

Size	Carton PCS/WT	Price
231	12/20	\$ 157.46
231 x 001	12/20	\$ 166.68
232	12/20	\$ 157.46
232 x 001	12/20	\$ 166.68
331	12/19	\$ 157.46
331 x 001	12/20	\$ 166.68
332	12/20	\$ 157.46
332 x 001	12/20	\$ 166.68

7202-3Y2

Star Nut x 22 CTS

Size	Carton PCS/WT	Price
231	12/22	\$ 170.85
231 x 001	12/22	\$ 180.06
232	12/22	\$ 170.85
232 x 001	12/22	\$ 180.06
331	12/22	\$ 170.85
331 x 001	12/22	\$ 180.06
332	12/22	\$ 170.85
332 x 001	12/22	\$ 180.06

7202-3YV

Star Nut x Q CTS

Size	Carton PCS/WT	Price
331	12/22	\$ 170.85

- For Test Port Drain in cap, replace "-" in model number with "W".

DUAL INLINE CARTRIDGE STYLE

7211-3YF

Star Nut x FNPT

Size	Carton PCS/WT	Price
331	1/2	\$ 206.99
332	1/2	\$ 206.99

7211-3YC

Star Nut x -22 CTS

Size	Carton PCS/WT	Price
331	1/3	\$ 211.22
332	1/3	\$ 211.22

INLINE ACCESSIBLE DUAL CHECK

7214-3YE

Star Nut x FNPT

Size	Carton PCS/WT	Price
231	12/24	\$ 210.37
232	12/24	\$ 210.37
331	12/24	\$ 210.37
332	12/24	\$ 210.37

UFR For Iron Yoke

ANGLE DUAL STYLE

7212-3Y2

Star Nut x -22 CTS

Size	Carton PCS/WT	Price
231	6/14	\$ 237.83
232	6/14	\$ 237.83
331	6/14	\$ 237.83
332	6/14	\$ 237.83

7212-3YR

Star Nut x Copper Flare

Size	Carton PCS/WT	Price
231	6/13	\$ 236.57
232	6/13	\$ 236.57
331	6/14	\$ 236.57
332	6/14	\$ 236.57

7212-3YU

Star Nut x G CTS

Size	Carton PCS/WT	Price
231	6/13	\$ 237.83
232	6/13	\$ 237.83
331	6/13	\$ 237.83
332	6/13	\$ 237.83

7212-3YT

Star Nut x T CTS

Size	Carton PCS/WT	Price
231	6/13	\$ 237.83
232	6/14	\$ 237.83
331	6/17	\$ 237.83
332	6/17	\$ 237.83

7212-3YQ

Star Nut x Q CTS

Size	Carton PCS/WT	Price
231	6/15	\$ 237.83
232	6/15	\$ 237.83
331	6/14	\$ 237.83
332	6/14	\$ 237.83

7212-3YE

Star Nut x FNPT

Size	Carton PCS/WT	Price
231	6/15	\$ 214.26
232	6/15	\$ 214.26
331	6/11	\$ 214.26
332	6/15	\$ 214.26

- For Test Port Drain in cap, replace "-" in model number with "W".

714U Yoke Expander

A.Y. McDonald Mfg. Series 714U Style UFR Yoke Expansion Connection is an innovative design that allows low volumes of water usage (previously unmeasured by the water meter) to be measured simply by batching the usage. Studies show that 5% to 10% of total water consumption is lost due to low, unmeasured flows.

FOR 5/8" X 3/4" & 3/4" WATER METERS

- Cast brass housing construction conforms to AWWA C-800 (latest revision)
- Self-cleaning internal components
- Includes two star nut gaskets
- For use with Volumetric (Positive Displacement) & Multi-Jet meters
- Designed to be installed **PRIOR** to the meter
- UFR is directional



How to Order

Order Model 714U2E X950



714
Basic UFR Valve
Model Number
714U = UFR Yoke
Expander

2
Meter
Size
2 = 5/8" x 3/4" or 3/4"

E
Inlet & Outlet
Connection

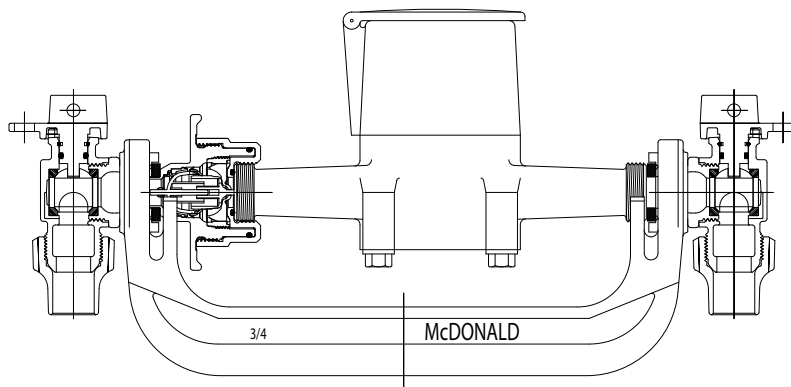
E = Yoke Expander - All Iron Yoke
& Non-Ball Valve Yokes Boxes
EYBV = Yoke Expander - Only for
Yoke Box and Long Yoke
box with Ball Valve Inlet

Space

X950
UFR Type

X950 V = Volumetric (Positive Displacement Meter) with Backflow Prevention
X951 V = Volumetric (Positive Displacement Meter) No Backflow Prevention (NCV)
X960 M2 = Multi-Jet Meter with Backflow Prevention
X961 M2 = Multi-Jet Meter No Backflow Prevention (NCV)

Contact factory with name of meter, manufacturer, and model number for assistance in determining appropriate UFR or see table on the following page.



714U2E

Expansion Connections

Size	Carton PCS/WT	Price
X950	10/15	\$ 156.61
X951	10/15	\$ 165.81
X960	10/21	\$ 156.61
X961	10/15	\$ 165.81

714U2EYBV

Expansion Connections - Yoke Ball Valve only

Size	Carton PCS/WT	Price
X950	10/15	\$ 156.61
X951	10/15	\$ 165.81
X960	10/14	\$ 156.61
X961	10/16	\$ 165.81

714U Yoke Expander

Meter Manufacturer	Model(s)	Measurement Element	Meter Type	➔	UFR Type	UFR Marking	No Check UFR Marking
Neptune	T10	Nutating Disc	Volumetric Displacement Positive Displacement (PD)	➔	Volumetric	UFR - V	UFR - V - NCV
Badger	25 - 35						
Hersey	400 Series - II's						
Sensus / Rockwell	SR - SR11	Oscillating Piston	Volumetric Displacement Positive Displacement (PD)	➔	Volumetric	UFR - V	UFR - V - NCV
Elster / Kent Amco	C700						
Master Meter	MMPD						
Master Meter	BLMJ - MMMJ	Multi-Jet	Velocity	➔	Multi-Jet	UFR - M2	UFR - M2 - NCV
Sensus	PMM						
Elster Amco	M140 (MO-C)						
Hays	MR - MT						
Precision	PM - PMM						
Sensus	iPERL	Magnetic	Solid State	➔	N/A	N/A	N/A
Badger	E-Series	Ultrasonic					
Elster	SM-700	Fluidic Oscillation					
Actaris	MC15 - MC20 MSD - TNII	Single Jet	Velocity	➔	Contact Factory	Contact Factory	Contact Factory
		Multi-Jet	Velocity		Contact Factory	Contact Factory	Contact Factory
		(not sold in US)	Velocity		Contact Factory	Contact Factory	Contact Factory

Meter shall comply with the AWWA C700-90 accuracy requirements as specified in section 3.8 of the standard.

714U2EYBV X950

For Ball Valve Yoke Box Expander with UFR
For Volumetric/PD Meter with Check Valve

Size	Carton PCS/WT	Price
5/8" x 3/4" or 3/4"	10/15	\$ 156.81

714U2EYBV X961

For Ball Valve Yoke Box Expander with UFR
For Multi-Jet Meter less Check Valve

Size	Carton PCS/WT	Price
5/8" x 3/4" or 3/4"	10/16	\$ 165.81

714U2E X960

For Plug Valve Yoke Box Expander with UFR
For Multi-Jet Meter with Check Valve

Size	Carton PCS/WT	Price
5/8" x 3/4" or 3/4"	10/15	\$ 156.81

714U2EYBV X951

For Ball Valve Yoke Box Expander with UFR
For Volumetric/PD Meter less Check Valve

Size	Carton PCS/WT	Price
5/8" x 3/4" or 3/4"	10/15	\$ 165.81

714U2E X950

For Plug Valve Yoke Box Expander with UFR
For Volumetric/PD Meter with Check Valve

Size	Carton PCS/WT	Price
5/8" x 3/4" or 3/4"	10/15	\$ 156.81

714U2E X961

For Plug Valve Yoke Box Expander with UFR
For Multi-Jet Meter less Check Valve

Size	Carton PCS/WT	Price
5/8" x 3/4" or 3/4"	10/15	\$ 165.81

714U2EYBV X960

For Ball Valve Yoke Box Expander with UFR
For Multi-Jet Meter with Check Valve

Size	Carton PCS/WT	Price
5/8" x 3/4" or 3/4"	10/15	\$ 156.81

714U2E X951

For Plug Valve Yoke Box Expander with UFR
For Volumetric/PD Meter less Check Valve

Size	Carton PCS/WT	Price
5/8" x 3/4" or 3/4"	10/15	\$ 165.81

Wrenches



Star Nut Wrenches

Model	Meter Size	Carton PCS/WT	Price
14-2SNW	5/8", 5/8" x 3/4" or 3/4"	5/2	\$ 6.39
14-4SNW	1"	5/2	\$ 6.39



Expander Wrenches

Model	Meter Size	Carton PCS/WT	Price
14-1EW	5/8"	5/5	\$ 14.07
14-2EW	5/8" x 3/4" or 3/4"	5/5	\$ 15.49



Expander Wrench

Model	Meter Size	Carton PCS/WT	Price
14-4EW	1"	5/7	\$ 22.75

Star Nuts & Gaskets

Expander Fiber Gasket - Hard

Model	Meter Size	Carton PCS/WT	Price
14-1HG	5/8"	25/1	\$ 1.64
14-2HG	5/8" x 3/4" or 3/4"	25/1	\$ 2.04
14-4HG	1"	10/41	\$ 2.42

Star Nuts



Model	Meter Size	Carton PCS/WT	Price
14-1N	5/8"	10/2	\$ 2.47
14-2N	5/8" x 3/4" or 3/4"	10/2	\$ 2.47
14-4N	1"	10/3	\$ 4.35

Expander Rubber Gasket - Soft

Model	Meter Size	Carton PCS/WT	Price
14-1SG	5/8"	25/2	\$.85
14-2SG	5/8" x 3/4" or 3/4"	25/1	\$ 1.07
14-4SG	1"	25/1	\$ 1.25

Star Nut Gaskets



Model	Meter Size	Carton PCS/WT	Price
14-1G	5/8"	25/1	\$.33
14-2G	5/8" x 3/4" or 3/4"	25/1	\$.45
14-4G	1"	10/1	\$.51

Expander Beveled Nose Piece Gasket



Model	Meter Size	Carton PCS/WT	Price
14-1NG	5/8"	25/1	\$.94
14-2NG	5/8" x 3/4" or 3/4"	25/1	\$ 1.13
14-4NG	1"	10/41	\$ 1.48

Angle Yoke Valves - Plug Style

PLUG STYLE - 100 PSI - LOCKWING | FOR 5/8", 5/8" x 3/4", 3/4", OR 1" METERS

A.Y. McDonald angle yoke plug valves include a meter star nut for connection to iron yoke bars and a wide variety of inlet configurations. These angle valves come standard with 180° "open to close" operating head and are directional with an arrow to indicate the direction of flow.

- Insert stiffeners are required on all flexible plastic connections.

Plug Valve Size Description

SIZE means: **3/4** x **01**

End Connection

Meter Size
 01 = 5/8"
 02 = 5/8" x 3/4" or 3/4"
 04 = 1"

74602Y

Flare x Star Nut



Size	Carton PCS/WT	Price
*3/4" x 01	20/32	\$ 53.51
*3/4" x 02	20/32	\$ 53.51
1" x 01	15/29	\$ 60.84
1" x 02	15/29	\$ 60.84
*1" x 04	10/27	\$ 82.38

* available with pentagon drain plug

74602Y-3Q

-3Q PEP x Star Nut



Size	Carton PCS/WT	Price
3/4" x 01	15/27	\$ 64.27
3/4" x 02	15/28	\$ 64.27
1" x 04	10/29	\$ 95.47

74602YT

T CTS x Star Nut

Size	Carton PCS/WT	Price
* 3/4" x 01	20/28	\$ 55.07
* 3/4" x 02	20/28	\$ 55.07
1" x 01	15/27	\$ 64.27
1" x 02	15/26	\$ 64.27
* 1" x 04	10/25	\$ 87.04
1 1/4" x 04	10/27	\$ 117.14

* available with pentagon drain plug

74602Y-22

-22 CTS x Star Nut



Size	Carton PCS/WT	Price
* 3/4" x 01	20/28	\$ 55.07
* 3/4" x 02	20/27	\$ 55.07
1" x 01	15/25	\$ 64.27
1" x 02	15/25	\$ 64.27
* 1" x 04	10/22	\$ 87.04
1 1/4" x 04	10/30	\$ 117.14

* available with pentagon drain plug

74602Y-44

-44 PVC x Star Nut



Size	Carton PCS/WT	Price
3/4" x 01	15/26	\$ 64.27
3/4" x 02	15/26	\$ 64.27
1" x 04	10/30	\$ 95.47

74602YG

G CTS x Star Nut

Size	Carton PCS/WT	Price
* 3/4" x 01	20/29	\$ 55.07
* 3/4" x 02	20/29	\$ 55.07
1" x 01	15/27	\$ 64.27
1" x 02	15/27	\$ 64.27
* 1" x 04	10/25	\$ 87.04
1 1/4" x 04	10/30	\$ 117.14

* available with pentagon drain plug

74602Y-33

-33 PEP-7 x Star Nut



Size	Carton PCS/WT	Price
3/4" x 01	15/26	\$ 64.27
3/4" x 02	15/26	\$ 64.27
1" x 04	10/28	\$ 95.47

74602Y-55

-55 IP x Star Nut

Size	Carton PCS/WT	Price
3/4" x 01	15/26	\$ 64.27
3/4" x 02	15/26	\$ 64.27
1" x 04	10/29	\$ 95.47

74604Y

FNPT x Star Nut



Size	Carton PCS/WT	Price
* 3/4" x 01	20/24	\$ 43.94
* 3/4" x 02	20/24	\$ 43.94
1" x 01	20/29	\$ 48.52
1" x 02	20/29	\$ 48.52
* 1" x 04	10/20	\$ 70.13
1 1/4" x 04	10/24	\$ 73.51

* available with pentagon drain plug

74602Y-3G

-3G PEP x Star Nut

Size	Carton PCS/WT	Price
3/4" x 01	15/29	\$ 64.27
3/4" x 02	15/29	\$ 64.27
1" x 04	10/30	\$ 95.47

74602YQ

Q CTS x Star Nut



Size	Carton PCS/WT	Price
* 3/4" x 01	20/29	\$ 55.07
* 3/4" x 02	20/29	\$ 55.07
1" x 01	15/27	\$ 64.27
1" x 02	15/27	\$ 64.27
* 1" x 04	10/25	\$ 87.04
1 1/4" x 04	10/29	\$ 117.14

* available with pentagon drain plug

Angle Yoke Valves - Plug Style

74602YD

Flare x Star Nut with Test Port

Size	Carton PCS/WT	Price
3/4" x 01	20/33	\$ 67.08
3/4" x 02	20/33	\$ 67.08
1" x 01*	20/49	\$ 74.41
1" x 02*	20/49	\$ 74.41
1" x 04	10/27	\$ 95.95

*Assembled with water tight with 74753

74602DBY

Flare x Star Nut with Dielectric Bushing

Size	Carton PCS/WT	Price
3/4" x 01	15/32	\$ 86.85
3/4" x 02	15/32	\$ 86.85
1" x 01	15/39	\$ 105.78
1" x 02	15/39	\$ 105.78
1" x 04	10/34	\$ 130.88

74604YD

FNPT x Star Nut with Test Port

Size	Carton PCS/WT	Price
3/4" x 01	20/26	\$ 57.51
3/4" x 02	20/26	\$ 57.51
1" x 04	20/26	\$ 83.70

74602YD-22

-22 CTS x Star Nut with Test Port

Size	Carton PCS/WT	Price
3/4" x 01	10/24	\$ 68.64
3/4" x 02	20/30	\$ 68.64
1" x 04	10/24	\$ 100.61

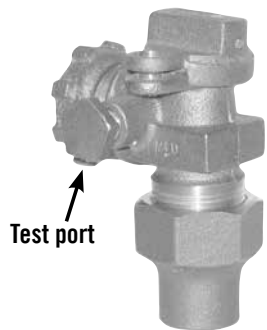
74602DBY-22

-22 CTS x Star Nut w/ Dielectric Bushing

Size	Carton PCS/WT	Price
3/4" x 01	15/29	\$ 76.69
3/4" x 02	15/29	\$ 76.69
1" x 04	10/31	\$ 109.27

For valves with Pentagon Drain option:

- Contact Factory



Test port

Example: 74602YD 3/4" x 01

For valves with Dielectric Bushing option:

- Contact Factory



Example: 74602DBY 3/4" x 01

Angle Yoke Valves - Ball Style Standard Port

BALL STYLE - 300 PSI - LOCKWING | FOR 5/8", 5/8" x 3/4", 3/4", OR 1" METERS

A.Y. McDonald angle yoke ball valves include a meter star nut for connection to iron yoke bars and a wide variety of inlet configurations. Valves come standard with 90° "open to close" operating head and are non-directional with lockwing.

- Insert stiffeners are required on all flexible plastic connections.

Ball Valve Size Description

SIZE means:	3/4	x	5/8	x	01	Meter Size
End Connection			Ball Opening Size			01 = 5/8" 02 = 5/8" x 3/4" or 3/4" 04 = 1"

74644BY

FNPT x Star Nut



Size	Carton PCS/WT	Price
3/4" x 5/8" x 01	20/29	\$ 61.77
3/4" x 5/8" x 02	20/28	\$ 61.77
1" x 5/8" x 01	20/35	\$ 70.07
1" x 5/8" x 02	20/35	\$ 70.07
1" x 3/4" x 04	10/22	\$ 123.86

74642BYQ

Q CTS x Star Nut



Size	Carton PCS/WT	Price
3/4" x 5/8" x 01	20/35	\$ 74.19
3/4" x 5/8" x 02	20/34	\$ 74.19
1" x 5/8" x 01	20/40	\$ 93.94
1" x 5/8" x 02	20/40	\$ 93.94
1" x 3/4" x 04	10/26	\$ 153.37

74642BY-3Q

-3Q PEP x Star Nut



Size	Carton PCS/WT	Price
3/4" x 5/8" x 01	20/40	\$ 77.87
3/4" x 5/8" x 02	20/40	\$ 77.87
1" x 3/4" x 04	10/35	\$ 160.39

74642BY

Flare x Star Nut



Size	Carton PCS/WT	Price
3/4" x 5/8" x 01	20/35	\$ 73.04
3/4" x 5/8" x 02	20/35	\$ 73.04
1" x 5/8" x 01	20/44	\$ 93.17
1" x 5/8" x 02	20/42	\$ 93.17
1" x 3/4" x 04	10/31	\$ 134.68

74642BYT

T CTS x Star Nut



Size	Carton PCS/WT	Price
3/4" x 5/8" x 01	20/34	\$ 74.19
3/4" x 5/8" x 02	20/34	\$ 74.19
1" x 5/8" x 01	20/38	\$ 93.94
1" x 5/8" x 02	20/38	\$ 93.94
1" x 3/4" x 04	10/25	\$ 153.37

74642BY-44

-44 PVC x Star Nut



Size	Carton PCS/WT	Price
3/4" x 5/8" x 01	20/38	\$ 77.87
3/4" x 5/8" x 02	20/38	\$ 77.87

74642BY-22

-22 CTS x Star Nut



Size	Carton PCS/WT	Price
3/4" x 5/8" x 01	20/34	\$ 74.19
3/4" x 5/8" x 02	20/33	\$ 74.19
1" x 5/8" x 01	20/38	\$ 93.94
1" x 5/8" x 02	20/36	\$ 93.94
1" x 3/4" x 04	10/24	\$ 153.37

74642BY-33

-33 PEP-7 x Star Nut



Size	Carton PCS/WT	Price
3/4" x 5/8" x 01	20/38	\$ 77.87
3/4" x 5/8" x 02	20/38	\$ 77.87
1" x 3/4" x 04	10/30	\$ 160.39

74642BY-55

-55 IP x Star Nut

Size	Carton PCS/WT	Price
3/4" x 5/8" x 01	20/37	\$ 77.87
3/4" x 5/8" x 02	20/42	\$ 77.87

74642BYG

G CTS x Star Nut



Size	Carton PCS/WT	Price
3/4" x 5/8" x 01	20/35	\$ 74.19
3/4" x 5/8" x 02	20/35	\$ 74.19
1" x 5/8" x 01	20/40	\$ 93.94
1" x 5/8" x 02	20/40	\$ 93.94
1" x 3/4" x 04	10/26	\$ 153.37

74642BY-3G

-3G PEP x Star Nut



Size	Carton PCS/WT	Price
3/4" x 5/8" x 01	20/40	\$ 77.87
3/4" x 5/8" x 02	20/40	\$ 77.87
1" x 3/4" x 04	10/35	\$ 160.39

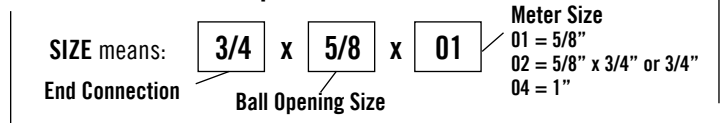
Angle Yoke Valves - Ball Style Standard Port

BALL STYLE - 300 PSI - LOCKWING | FOR 5/8", 5/8" x 3/4", 3/4", OR 1" METERS

A.Y. McDonald angle yoke ball valves include a meter star nut for connection to iron yoke bars and a wide variety of inlet configurations. Valves come standard with 90° "open to close" operating head and are non-directional with lockwing.

- Insert stiffeners are required on all flexible plastic connections.

Ball Valve Size Description



74642BYD

Flare x Star Nut with Test Port

Size	Carton PCS/WT	Price
3/4" x 5/8" x 01	20/39	\$ 86.63
3/4" x 5/8" x 02	20/39	\$ 86.63

74642BYDT

T CTS x Star Nut with Test Port

Size	Carton PCS/WT	Price
3/4" x 5/8" x 01	20/38	\$ 87.78
3/4" x 5/8" x 02	20/38	\$ 87.78

74642BDBYA

Flare x Star Nut with Dielectric Bushing

Size	Carton PCS/WT	Price
1" x 3/4" x 04	10/35	\$ 214.65

74642BYD-22

-22 CTS x Star Nut with Test Port

Size	Carton PCS/WT	Price
3/4" x 5/8" x 01	20/38	\$ 87.78
3/4" x 5/8" x 02	20/38	\$ 87.78

74642BDBY

Flare x Star Nut with Dielectric Bushing

Size	Carton PCS/WT	Price
3/4" x 5/8" x 01	15/36	\$ 127.53
3/4" x 5/8" x 02	15/36	\$ 127.53
1" x 5/8" x 01	15/41	\$ 147.66
1" x 5/8" x 02	15/41	\$ 147.66

74642BYDQ

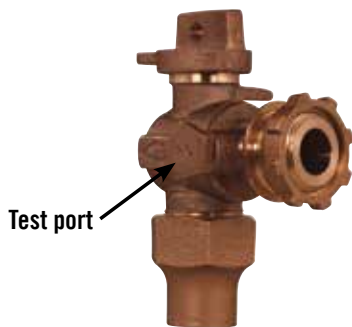
Q CTS x Star Nut with Test Port

Size	Carton PCS/WT	Price
3/4" x 5/8" x 01	20/38	\$ 87.78
3/4" x 5/8" x 02	20/38	\$ 87.78

Iron Yokes

For valves with Pentagon Drain option:

- Contact Factory



Example: 74642BYD 3/4" x 01

For valves with Dielectric Bushing option:

- Contact Factory



Example: 74642BDBYA 3/4" x 01

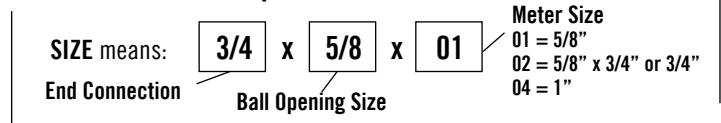
Angle Yoke Valves - Ball Style Full Port

BALL STYLE - 300 PSI - LOCKWING | FOR 5/8", 5/8" x 3/4", 3/4", OR 1" METERS

A.Y. McDonald angle yoke ball valves include a meter star nut for connection to iron yoke bars and a wide variety of inlet / outlet configurations. Valves come standard with 90° "open to close" operating head and are non-directional with locking.

- Insert stiffeners are required on all flexible plastic connections.

Ball Valve Size Description



74604BY

FNPT x Star Nut



Size	Carton PCS/WT	Price
3/4" x 3/4" x 01	10/18	\$ 115.16
3/4" x 3/4" x 02	10/18	\$ 115.16
1" x 3/4" x 01	10/20	\$ 113.07
1" x 3/4" x 02	10/19	\$ 113.07
1" x 1" x 04	10/28	\$ 157.27

74602BYQ

Q CTS x Star Nut



Size	Carton PCS/WT	Price
3/4" x 3/4" x 01	10/20	\$ 126.45
3/4" x 3/4" x 02	10/20	\$ 126.45
1" x 3/4" x 01	10/24	\$ 139.89
1" x 3/4" x 02	10/24	\$ 139.89
1" x 1" x 04	10/32	\$ 172.51

74602BY-3G

-3G PEP x Star Nut



Size	Carton PCS/WT	Price
3/4" x 3/4" x 01	10/23	\$ 130.79
3/4" x 3/4" x 02	10/23	\$ 130.79
1" x 3/4" x 01	10/27	\$ 131.97
1" x 3/4" x 02	10/27	\$ 131.97
1" x 1" x 04	10/38	\$ 183.68

74602BY

Flare x Star Nut



Size	Carton PCS/WT	Price
3/4" x 3/4" x 01	10/21	\$ 122.95
3/4" x 3/4" x 02	10/21	\$ 122.95
1" x 3/4" x 01	10/26	\$ 128.50
1" x 3/4" x 02	10/24	\$ 128.50
1" x 1" x 04	10/35	\$ 180.73

74602BYT

T CTS x Star Nut



Size	Carton PCS/WT	Price
3/4" x 3/4" x 01	10/20	\$ 126.45
3/4" x 3/4" x 02	10/19	\$ 126.45
1" x 3/4" x 01	10/35	\$ 139.89
1" x 3/4" x 02	10/35	\$ 139.89
1" x 1" x 04	10/31	\$ 172.51

74602BY-3Q

-3Q PEP x Star Nut



Size	Carton PCS/WT	Price
3/4" x 3/4" x 01	10/23	\$ 130.79
3/4" x 3/4" x 02	10/23	\$ 130.79
1" x 3/4" x 01	10/27	\$ 131.97
1" x 3/4" x 02	10/27	\$ 131.97
1" x 1" x 04	10/38	\$ 183.68

74602BY-22

-22 CTS x Star Nut



Size	Carton PCS/WT	Price
3/4" x 3/4" x 01	10/19	\$ 126.45
3/4" x 3/4" x 02	10/20	\$ 126.45
1" x 3/4" x 01	10/22	\$ 139.89
1" x 3/4" x 02	10/22	\$ 139.89
1" x 1" x 04	10/30	\$ 172.51

74602BY-33

-33 PEP-7 x Star Nut



Size	Carton PCS/WT	Price
3/4" x 3/4" x 01	10/23	\$ 130.79
3/4" x 3/4" x 02	10/23	\$ 130.79
1" x 3/4" x 01	10/27	\$ 131.97
1" x 3/4" x 02	10/27	\$ 131.97
1" x 1" x 04	10/38	\$ 183.68

74602BY-44

-44 PVC x Star Nut



Size	Carton PCS/WT	Price
3/4" x 3/4" x 01	10/23	\$ 130.79
3/4" x 3/4" x 02	10/23	\$ 130.79
1" x 3/4" x 01	10/27	\$ 131.97
1" x 3/4" x 02	10/27	\$ 131.97
1" x 1" x 04	10/47	\$ 183.68

74602BYG

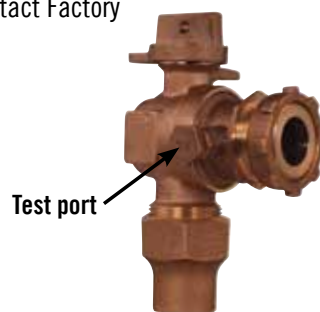
G CTS x Star Nut



Size	Carton PCS/WT	Price
3/4" x 3/4" x 01	10/20	\$ 126.45
3/4" x 3/4" x 02	10/20	\$ 126.45
1" x 3/4" x 01	10/24	\$ 139.89
1" x 3/4" x 02	10/24	\$ 139.89
1" x 1" x 04	10/32	\$ 172.51

For valves with Pentagon Drain option:

- Contact Factory



Example: 74602BYD 3/4" x 01

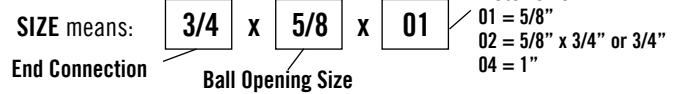
Straight Yoke Valves - Ball Style

BALL STYLE - 300 PSI - LOCKWING | FOR 5/8", 5/8" x 3/4", 3/4", OR 1" METERS

A.Y. McDonald straight yoke ball valves include a meter star nut for connection to iron yoke bars and a wide variety of inlet / outlet configurations. Valves come standard with 90° "open to close" operating head and are non-directional with lockwing.

- Insert stiffeners are required on all flexible plastic connections.
- For pentagon drain option, contact factory.

Ball Valve Size Description



76101WY

FNPT x Star Nut

Size	Carton PCS/WT	Price
3/4" x 5/8" x 01	20/28	\$ 58.93
3/4" x 5/8" x 02	20/27	\$ 58.93
3/4" x 3/4" x 01	10/16	\$ 99.69
3/4" x 3/4" x 02	10/16	\$ 99.69
1" x 3/4" x 01	10/17	\$ 104.48
1" x 3/4" x 02	10/17	\$ 104.48
1" x 3/4" x 04	10/21	\$ 103.94
1" x 1" x 04	10/25	\$ 148.09

76102WY

Flare x Star Nut

Size	Carton PCS/WT	Price
3/4" x 5/8" x 01	20/35	\$ 67.05
3/4" x 5/8" x 02	20/32	\$ 67.05
1" x 3/4" x 01	10/24	\$ 116.88
1" x 3/4" x 02	10/24	\$ 116.88
1" x 3/4" x 04	10/28	\$ 120.12

76102WY-22

-22 CTS x Star Nut

Size	Carton PCS/WT	Price
3/4" x 5/8" x 01	20/33	\$ 71.47
3/4" x 5/8" x 02	20/31	\$ 71.47
3/4" x 3/4" x 01	15/31	\$ 111.22
3/4" x 3/4" x 02	15/31	\$ 111.22
1" x 3/4" x 01	10/22	\$ 120.24
1" x 3/4" x 02	10/22	\$ 120.24
1" x 3/4" x 04	10/24	\$ 126.92
1 1/4" x 1" x 04	10/35	\$ 186.29

76102WYG

G CTS x Star Nut

Size	Carton PCS/WT	Price
3/4" x 5/8" x 01	20/32	\$ 71.47
3/4" x 5/8" x 02	20/32	\$ 71.47
3/4" x 3/4" x 01	15/31	\$ 111.22
3/4" x 3/4" x 02	15/31	\$ 111.22
1" x 3/4" x 01	10/22	\$ 120.24
1" x 3/4" x 02	10/22	\$ 120.24
1" x 3/4" x 04	10/25	\$ 126.92
1" x 1" x 04	10/42	\$ 170.08
1 1/4" x 1" x 04	10/30	\$ 186.29

76102WYQ

Q CTS x Star Nut

Size	Carton PCS/WT	Price
3/4" x 5/8" x 01	20/32	\$ 71.47
3/4" x 5/8" x 02	20/32	\$ 71.47
3/4" x 3/4" x 01	15/31	\$ 111.22
3/4" x 3/4" x 02	15/31	\$ 111.22
1" x 3/4" x 01	10/22	\$ 120.24
1" x 3/4" x 02	10/22	\$ 120.24
1" x 3/4" x 04	10/25	\$ 126.92
1" x 1" x 04	10/42	\$ 170.08
1 1/4" x 1" x 04	10/30	\$ 186.29

76102WYT

T CTS x Star Nut

Size	Carton PCS/WT	Price
3/4" x 5/8" x 01	20/33	\$ 71.47
3/4" x 5/8" x 02	20/32	\$ 71.47
3/4" x 3/4" x 01	15/31	\$ 111.22
3/4" x 3/4" x 02	15/31	\$ 111.22
1" x 3/4" x 01	10/22	\$ 120.24
1" x 3/4" x 02	10/23	\$ 120.24
1" x 3/4" x 04	10/26	\$ 126.92
1 1/4" x 1" x 04	10/30	\$ 186.29

76102WY-33

-33 PEP-7 x Star Nut

Size	Carton PCS/WT	Price
3/4" x 3/4" x 01	10/22	\$ 103.31
3/4" x 3/4" x 02	10/22	\$ 103.31
1" x 1" x 04	10/30	\$ 115.91

76102WY-3Q

-3Q PEP x Star Nut

Size	Carton PCS/WT	Price
1" x 1" x 04	10/47	\$ 115.91



76102WY-3G

-3G PEP x Star Nut

Size	Carton PCS/WT	Price
1" x 1" x 04	10/47	\$ 115.91

76102WY-44

-44 PVC x Star Nut

Size	Carton PCS/WT	Price
1" x 1" x 04	10/30	\$ 115.91

76102WY-55

-55 IP x Star Nut

Size	Carton PCS/WT	Price
1" x 1" x 04	10/30	\$ 115.91

For valves with Pentagon

Drain option:

- Contact Factory



Test port

Example: 76101YV 3/4" x 01

Iron Yokes

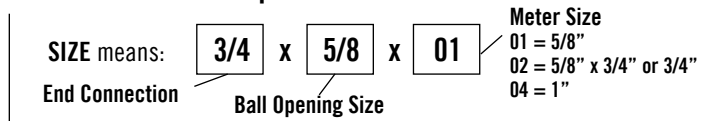
Straight Yoke Valves - Ball Style

BALL STYLE - 300 PSI | FOR 5/8", 5/8" x 3/4", 3/4", OR 1" METERS

A.Y. McDonald straight yoke ball valves include a meter star nut for connection to iron yoke bars and a wide variety of inlet / outlet configurations. Valves come standard with 90° "open to close" operating head and are non-directional.

- Insert stiffeners are required on all flexible plastic connections.
- For pentagon drain option, contact factory.

Ball Valve Size Description



76101Y

FNPT x Star Nut without Lockwing

Size	Carton PCS/WT	Price
3/4" x 5/8" x 01	20/26	\$ 58.73
3/4" x 5/8" x 02	20/27	\$ 55.21
1" x 3/4" x 01	10/16	\$ 100.98
1" x 3/4" x 02	10/18	\$ 100.98
1" x 3/4" x 04	10/20	\$ 100.13

76102Y-22

-22 CTS x Star Nut without Lockwing

Size	Carton PCS/WT	Price
3/4" x 5/8" x 01	20/34	\$ 68.03
3/4" x 5/8" x 02	20/34	\$ 68.03
1" x 1" x 04	10/45	\$ 142.82

76102Y-44

-44 PVC x Star Nut without Lockwing

Size	Carton PCS/WT	Price
3/4" x 3/4" x 02	15/44	\$ 99.86

76102Y

Flare x Star Nut without Lockwing

Size	Carton PCS/WT	Price
3/4" x 5/8" x 01	20/38	\$ 71.49
3/4" x 5/8" x 02	20/36	\$ 71.49

76102YT

T CTS x Star Nut without Lockwing

Size	Carton PCS/WT	Price
3/4" x 5/8" x 01	20/34	\$ 68.03
3/4" x 5/8" x 02	20/34	\$ 68.03
1" x 1" x 04	10/45	\$ 142.82

HANDLES

6120

Stainless Steel Handle

Size	Length	Carton PCS/WT	Price
5/8"	3.25"	25/2	\$ 6.54
3/4" x 1"	4.25"	25/2	\$ 7.25

6120B

Brass Handle



Size	Length	Carton PCS/WT	Price
5/8"	3.38"	25/6	\$ 6.54
3/4" x 1"	4.38"	25/7	\$ 7.25

6120BT

Brass T - Handle



Size	Carton PCS/WT	Price
3/4" x 1"	25/8	\$ 12.97

Yoke Couplings - Quarter Bend

MALE YOKE

A.Y. McDonald quarter bend yoke couplings include a meter star nut for connection to iron yoke bars and a wide variety of inlet / outlet configurations.

- Insert stiffeners are required on all flexible plastic connections.

74779FY

FNPT x Star Nut

Size	Carton PCS/WT	Price
3/4" x 01	20/15	\$ 15.49
3/4" x 02	20/14	\$ 15.49
1" x 01	20/18	\$ 20.05
1" x 02	20/19	\$ 20.05
1" x 04	10/14	\$ 27.35
1 1/4" x 04	20/28	\$ 34.22

74779Y-33

-33 PEP-7 x Star Nut



Size	Carton PCS/WT	Price
3/4" x 01	25/30	\$ 36.85
3/4" x 02	25/30	\$ 36.85
1" x 01	20/39	\$ 61.26
1" x 02	20/40	\$ 61.26
1" x 04	20/38	\$ 58.11

74779FYW

FNPT x Star Nut with Test Port

Size	Carton PCS/WT	Price
3/4" x 01	20/17	\$ 32.49
3/4" x 02	20/17	\$ 32.49
1" x 01	20/19	\$ 37.05
1" x 02	20/19	\$ 37.05
1" x 04	10/15	\$ 44.35

74779MY

MNPT x Star Nut

Size	Carton PCS/WT	Price
3/4" x 01	20/13	\$ 27.95
3/4" x 02	20/13	\$ 27.95
1" x 01	20/14	\$ 36.19
1" x 02	20/14	\$ 36.19

74779YG

G CTS x Star Nut



Size	Carton PCS/WT	Price
3/4" x 01	20/19	\$ 26.26
3/4" x 02	20/18	\$ 26.26
1" x 01	25/31	\$ 36.85
1" x 02	25/31	\$ 36.85
1" x 04	10/18	\$ 46.53
1 1/4" x 01	20/39	\$ 66.78
1 1/4" x 02	20/39	\$ 66.78

74779MYW

MNPT x Star Nut with Test Port

Size	Carton PCS/WT	Price
3/4" x 01	20/14	\$ 44.89
3/4" x 02	20/14	\$ 44.89
1" x 01	20/14	\$ 51.17
1" x 02	20/14	\$ 51.17
1" x 04	10/15	\$ 61.37

74779Y

Flare x Star Nut



Size	Carton PCS/WT	Price
3/4" x 01	20/21	\$ 22.69
3/4" x 02	20/20	\$ 22.69
1" x 01	20/28	\$ 30.04
1" x 02	20/27	\$ 30.04
1" x 04	10/20	\$ 39.68

74779YQ

Q CTS x Star Nut



Size	Carton PCS/WT	Price
3/4" x 01	20/19	\$ 26.26
3/4" x 02	20/18	\$ 26.26
1" x 01	25/31	\$ 36.85
1" x 02	25/31	\$ 36.85
1" x 04	10/18	\$ 46.53
1 1/4" x 01	20/39	\$ 66.78
1 1/4" x 02	20/39	\$ 66.78

74779YW-22 CTS

-22 CTS x Star Nut with Test Port

Size	Carton PCS/WT	Price
3/4" x 01	20/19	\$ 43.26
3/4" x 02	20/19	\$ 43.26
1" x 01	25/29	\$ 53.86
1" x 02	25/29	\$ 53.86
1" x 04	10/18	\$ 63.54

74779Y-22

-22 CTS x Star Nut



Size	Carton PCS/WT	Price
3/4" x 01	20/18	\$ 26.26
3/4" x 02	20/18	\$ 26.26
1" x 01	25/29	\$ 36.85
1" x 02	25/28	\$ 36.85
1" x 04	10/17	\$ 46.53
1 1/4" x 01	20/39	\$ 66.78
1 1/4" x 02	20/39	\$ 66.78
1 1/4" x 04	20/42	\$ 71.69

74779YT

T CTS x Star Nut



Size	Carton PCS/WT	Price
3/4" x 01	20/19	\$ 26.26
3/4" x 02	20/18	\$ 26.26
1" x 01	25/65	\$ 36.85
1" x 02	25/32	\$ 36.85
1" x 04	10/17	\$ 46.53
1 1/4" x 01	20/39	\$ 66.78
1 1/4" x 02	20/39	\$ 66.78
1 1/4" x 04	20/42	\$ 71.69

74779YWG CTS

G CTS x Star Nut with Test Port

Size	Carton PCS/WT	Price
3/4" x 01	20/20	\$ 43.26
3/4" x 02	20/20	\$ 43.26
1" x 01	25/32	\$ 53.86
1" x 02	25/32	\$ 53.86
1" x 04	10/19	\$ 63.54

Yoke Couplings - Quarter Bend

MALE YOKE

A.Y. McDonald quarter bend yoke couplings include a meter star nut for connection to iron yoke bars and a wide variety of inlet / outlet configurations.

- Insert stiffeners are required on all flexible plastic connections.

74779YWQ CTS

Q CTS x Star Nut with Test Port

Size	Carton PCS/WT	Price
3/4" x 01	20/23	\$ 43.26
3/4" x 02	20/23	\$ 43.26
1" x 01	25/31	\$ 53.86
1" x 02	25/31	\$ 53.86
1" x 04	10/19	\$ 63.54

74779Y-3G

-3G PEP x Star Nut

Size	Carton PCS/WT	Price
1" x 01	20/40	\$ 61.26
1" x 02	20/40	\$ 61.26
1" x 04	20/40	\$ 58.11



74779Y-44

-44 PVC x Star Nut

Size	Carton PCS/WT	Price
3/4" x 01	25/67	\$ 36.85
3/4" x 02	25/28	\$ 36.85
1" x 01	20/39	\$ 61.26
1" x 02	20/39	\$ 61.26
1" x 04	20/39	\$ 58.11



74779YWT CTS

T CTS x Star Nut with Test Port

Size	Carton PCS/WT	Price
3/4" x 01	20/23	\$ 43.26
3/4" x 02	20/23	\$ 43.26
1" x 01	25/31	\$ 53.86
1" x 02	25/31	\$ 53.86
1" x 04	10/19	\$ 63.54

74779Y-3Q

-3Q PEP x Star Nut

Size	Carton PCS/WT	Price
1" x 01	20/39	\$ 61.26
1" x 02	20/39	\$ 61.26
1" x 04	20/40	\$ 58.11



74779Y-55

-55 IP x Star Nut

Size	Carton PCS/WT	Price
3/4" x 01	25/30	\$ 36.85
3/4" x 02	25/30	\$ 36.85
1" x 01	20/39	\$ 61.26
1" x 02	20/39	\$ 61.26
1" x 04	20/42	\$ 58.11

Yoke Couplings - Straight

STRAIGHT MALE YOKE

A.Y. McDonald straight yoke couplings include a meter star nut for connection to iron yoke bars and a wide variety of inlet / outlet configurations.

- Insert stiffeners are required on all flexible plastic connections.

74753MY

MNPT x Star Nut

Size	Carton PCS/WT	Price
3/4" x 01	20/12	\$ 14.99
3/4" x 02	20/11	\$ 14.99
1" x 04	10/9	\$ 39.82

74753YG

G CTS x Star Nut

Size	Carton PCS/WT	Price
3/4" x 01	20/20	\$ 25.29
3/4" x 02	20/19	\$ 25.29
1" x 04	10/15	\$ 41.37



74753YT

T CTS x Star Nut

Size	Carton PCS/WT	Price
3/4" x 01	20/18	\$ 25.29
3/4" x 02	20/18	\$ 25.29
1" x 04	10/15	\$ 41.37



74753Y

Flare x Star Nut

Size	Carton PCS/WT	Price
3/4" x 01	20/21	\$ 21.90
3/4" x 02	20/21	\$ 21.90
1" x 04	10/16	\$ 34.67

74753YQ

Q CTS x Star Nut

Size	Carton PCS/WT	Price
3/4" x 01	20/19	\$ 25.29
3/4" x 02	20/19	\$ 25.29
1" x 04	10/16	\$ 41.37



74754Y

FNPT x Star Nut

Size	Carton PCS/WT	Price
3/4" x 01	20/12	\$ 13.48
3/4" x 02	20/11	\$ 13.48
1" x 04	10/11	\$ 22.33



74753Y-22

-22 CTS x Star Nut

Size	Carton PCS/WT	Price
3/4" x 01	20/18	\$ 25.29
3/4" x 02	20/18	\$ 25.29
1" x 04	10/14	\$ 41.37



Female Yoke Quarter Bend Adapters

A.Y. McDonald female yoke quarter bend adapters attach to a male star nut yoke thread and offer a wide variety of inlet / outlet configurations. 714-179 connect to 5/8", 5/8" x 3/4" or 3/4" male star nut yoke threads. 714-479 connect to 1" male star nut yoke threads.

5/8", 5/8" x 3/4" or 3/4"

714-179F

FNPT x Female Yoke Thread

Size	Carton PCS/WT	Price
3/4"	40/21	\$ 25.92

714-179

Flare x Female Yoke Thread

Size	Carton PCS/WT	Price
3/4"	40/35	\$ 26.45

714-179-22

-22 CTS x Female Yoke Thread

Size	Carton PCS/WT	Price
3/4"	40/28	\$ 27.66

714-179T

T CTS x Female Yoke Thread

Size	Carton PCS/WT	Price
3/4"	40/29	\$ 27.66

1"

714-479F

FNPT x Female Yoke Thread

Size	Carton PCS/WT	Price
1"	25/26	\$ 45.33

714-479

Flare x Female Yoke Thread

Size	Carton PCS/WT	Price
1"	25/37	\$ 60.47

714-479-22

-22 CTS x Female Yoke Thread

Size	Carton PCS/WT	Price
1"	25/32	\$ 65.13

714-479Q

Q CTS x Female Yoke Thread

Size	Carton PCS/WT	Price
1"	25/32	\$ 65.13

714-479T

T CTS x Female Yoke Thread

Size	Carton PCS/WT	Price
1"	25/34	\$ 65.13

Female Yoke Straight Adapters

A.Y. McDonald female yoke straight adapters attach to a male star nut yoke thread and offer a wide variety of inlet / outlet configurations. 714-154 connect to 5/8", 5/8" x 3/4" or 3/4" male star nut yoke threads. 714-454 connect to 1" male star nut yoke threads.

5/8", 5/8" x 3/4" or 3/4"

714-154F

FNPT x Female Yoke Thread

Size	Carton PCS/WT	Price
3/4"	40/13	\$ 13.84

714-154 Q

Q CTS x Female Yoke Thread

Size	Carton PCS/WT	Price
3/4"	40/22	\$ 23.34

714-154

Flare x Female Yoke Thread

Size	Carton PCS/WT	Price
3/4"	40/25	\$ 20.78

714-154 T

T CTS x Female Yoke Thread

Size	Carton PCS/WT	Price
3/4"	40/22	\$ 23.34

714-154-22

-22 CTS x Female Yoke Thread

Size	Carton PCS/WT	Price
3/4"	40/20	\$ 23.34

1"

714-454F

FNPT x Female Yoke Thread

Size	Carton PCS/WT	Price
1"	25/21	\$ 45.49

714-454

Flare x Female Yoke Thread

Size	Carton PCS/WT	Price
1"	25/33	\$ 54.32

714-454-22

-22 CTS x Female Yoke Thread

Size	Carton PCS/WT	Price
1"	25/44	\$ 58.44

714-454T

T CTS x Female Yoke Thread

Size	Carton PCS/WT	Price
1"	25/46	\$ 58.44

714-454Q

Q CTS x Female Yoke Thread

Size	Carton PCS/WT	Price
1"	25/47	\$ 58.44

Angle Yoke Style Single Check Valves

A.Y. McDonald Angle Single Check Yoke Valves have a meter star nut for iron yoke inlets and a wide variety of outlet configurations. Our top cap and unique perpendicular check module design assures convenient access to check for inspection, maintenance, or replacement without removing the valve from the service line. It also allows for a lower profile than traditional top entry check. Backflow of water is deterred if thermal expansion occurs and will keep water from back flowing into a meter pit or on to a basement floor if meter is removed for servicing.

FEATURES

- Check assembly can be removed easily.
- Check assembly remains together when removed from body (no loose parts).
- Insert stiffeners are required on all flexible plastic connections.

Size	Description
23	= 5/8" meter -3/4" end connection
24	= 5/8" meter -1" end connection
33	= 5/8" x 3/4" or 3/4" meter -3/4" end connection
34	= 5/8" x 3/4" or 3/4" meter -1" end connection
44	= 1" meter -1" end connection

702-3YE

Star Nut x FNPT

Size	Carton PCS/WT	Price
23	10/14	\$ 51.66
33	10/14	\$ 51.66

702-3Y2

Star Nut x -22 CTS Compression

Size	Carton PCS/WT	Price
23	10/17	\$ 65.07
33	10/15	\$ 65.07

702-3YT

Star Nut x T CTS Compression

Size	Carton PCS/WT	Price
23	10/17	\$ 65.07
33	10/17	\$ 65.07

702-3YR

Star Nut x Flare

Size	Carton PCS/WT	Price
23	10/22	\$ 63.21
33	10/18	\$ 63.21

702-3YQ

Star Nut x Q CTS Compression

Size	Carton PCS/WT	Price
23	10/21	\$ 65.07
33	10/17	\$ 65.07

702-4YE

Star Nut x FNPT - 1" Port

Size	Carton PCS/WT	Price
44	10/24	\$ 61.69

702-3YU

Star Nut x G CTS Compression

Size	Carton PCS/WT	Price
23	10/22	\$ 65.07
33	10/18	\$ 65.07

702W3Y2

Star Nut x -22 CTS with Test Port

Size	Carton PCS/WT	Price
23	10/17	\$ 76.70
33	10/17	\$ 76.70

702W4YE

Star Nut x FNPT

Size	Carton PCS/WT	Price
44	10/24	\$ 78.70

OPTIONS

- For check valves with UFR option see UFR catalog or contact factory.
- Add "W" in place of "-" for pentagon test plug in cap i.e. 702-3YE 33 = 702W3YE 33.
- Add \$ 17.02



Inline Yoke Style Dual Check Valves

A.Y. McDonald Inline Dual Check Valves protect the public water supply by preventing the reverse flow of water from the building back into the water main. The Series 711 dual check valve is available with a wide variety of end connections to connect directly to water meters or other types of piping.

- Insert stiffeners are required on all flexible plastic connections.

Size	Description
23	= 5/8" meter -3/4" end connection
24	= 5/8" meter -1" end connection
33	= 5/8" x 3/4" or 3/4" meter -3/4" end connection
34	= 5/8" x 3/4" or 3/4" meter -1" end connection
44	= 1" meter -1" end connection

711-3YC

Star Nut x -22 CTS Union

Size	Carton PCS/WT	Price
23	1/3	\$ 105.20
33	1/2	\$ 105.20

711-3YG

Star Nut x G CTS Union

Size	Carton PCS/WT	Price
23	1/3	\$ 105.20
33	1/3	\$ 105.20

711-4YF

Star Nut x FNPT Union

Size	Carton PCS/WT	Price
44	1/4	\$ 182.03



711-3YF

Star Nut x FNPT Union

Size	Carton PCS/WT	Price
23	1/2	\$ 101.35
33	1/2	\$ 101.35



711-3YM

Star Nut x MNPT Union

Size	Carton PCS/WT	Price
23	1/2	\$ 101.35
33	1/2	\$ 101.35

711-3YQ

Star Nut x K Male

Size	Carton PCS/WT	Price
33	1/2	\$ 105.20

711-3YR

Star Nut x Flare

Size	Carton PCS/WT	Price
33	1/2	\$ 105.20

Inline Accessible Dual Check

A.Y. McDonald's unique Inline Dual Check Backflow Valves have a meter star nut for iron yoke inlets. Our top cap and unique check module design assures convenient access to both checks for inspection, maintenance or replacement without removing the valve from the line. Backflow of water is still deterred if either of the checks are removed or inoperable.

7111-3YE

Star Nut x FNPT

Size	Carton PCS/WT	Price
23	6/16	\$ 117.37
33	6/15	\$ 117.37



7411-3YE

Star Nut x FNPT

Size	Length	Carton PCS/WT	Price
23	3.43	1/2	\$ 101.35
33	3.43	1/2	\$ 101.35



Angle Yoke Style Dual Check Valves

VERTICAL AND HORIZONTAL CHECK VALVES

A.Y. McDonald's unique Angle Dual Check Backflow Valves have a meter star nut for iron yoke inlets and a wide variety of outlet configurations. Our top cap and unique perpendicular check module design assures convenient access to both checks for inspection, maintenance, or replacement without removing the valve from the line. It also allows for a lower profile than traditional top entry dual checks. Back flow of water is still deterred if either of the checks are removed or inoperable.

- Check assembly can be removed easily with a pair of pliers.
 - Check assembly remains together when removed from body (no loose pieces).
 - Insert stiffeners are required on all flexible plastic connections.
 - For Test Port Drain in cap, replace “-” in model number with “W”.
- Example: 712-3YE = 712W3YE. Add \$ 17.02 to list price.

Size	Description
23	= 5/8" meter -3/4" end connection
24	= 5/8" meter -1" end connection
33	= 5/8" x 3/4" or 3/4" meter -3/4" end connection
34	= 5/8" x 3/4" or 3/4" meter -1" end connection
44	= 1" meter -1" end connection

712-3Y2

Star Nut x -22 CTS



Size	Carton PCS/WT	Price
23	12/22	\$ 132.36
24	12/27	\$ 143.91
33	12/22	\$ 132.36
34	12/24	\$ 143.91
44	12/29	\$ 145.85

712-3YQ

Star Nut x Q CTS

Size	Carton PCS/WT	Price
23	12/24	\$ 132.36
24	12/25	\$ 143.91
33	12/22	\$ 132.36
34	12/25	\$ 143.91
44	12/29	\$ 145.85

712-4Y2

Star Nut x -22 CTS, 1" Port

Size	Carton PCS/WT	Price
24	10/40	\$ 216.95
34	10/40	\$ 216.95
44	10/33	\$ 213.85

712-3Y3

Star Nut x -33 PEP-7



Size	Carton PCS/WT	Price
23	12/26	\$ 143.91
33	12/26	\$ 143.91

712-3YR

Star Nut x Flare



Size	Carton PCS/WT	Price
23	12/25	\$ 131.08
33	12/25	\$ 131.08
44	8/22	\$ 144.51

712-4YE

Star Nut x FNPT, 1" Port

Size	Carton PCS/WT	Price
44	10/28	\$ 193.44

712-3Y4

Star Nut x -44 PVC



Size	Carton PCS/WT	Price
23	12/25	\$ 143.91
33	12/24	\$ 143.91

712-3YT

Star Nut x T CTS



Size	Carton PCS/WT	Price
23	12/24	\$ 132.36
24	12/27	\$ 143.91
33	12/23	\$ 132.36
34	12/26	\$ 143.91
44	12/30	\$ 145.85

712-4YQ

Star Nut x Q CTS, 1" Port



Size	Carton PCS/WT	Price
24	10/41	\$ 216.95
34	10/32	\$ 216.95
44	10/36	\$ 213.85

712-3Y5

Star Nut x -55 IP

Size	Carton PCS/WT	Price
23	12/25	\$ 143.91
33	12/25	\$ 143.91

712-3YU

Star Nut x G CTS

Size	Carton PCS/WT	Price
23	12/23	\$132.36
33	12/24	\$132.36
44	12/30	\$145.85

712-4YR

Star Nut x Flare, 1" Port

Size	Carton PCS/WT	Price
24	10/33	\$ 215.21
34	10/32	\$ 215.21
44	10/34	\$ 212.05

712-3YE

Star Nut x FNPT



Size	Carton PCS/WT	Price
23	12/20	\$ 108.70
24	10/23	\$ 120.26
33	12/19	\$ 108.70
34	12/22	\$ 120.26
44	12/25	\$ 120.26

712-3YZ

Star Nut x -3Q PEP

Size	Carton PCS/WT	Price
23	12/28	\$ 143.91
33	12/28	\$ 143.91

712-4YT

Star Nut x T CTS, 1" Port

Size	Carton PCS/WT	Price
24	10/40	\$ 216.95
34	10/40	\$ 216.95
44	10/44	\$ 213.85

Angle Yoke Style Dual Check Valves

HORIZONTAL CHECK VALVES

A.Y. McDonald's unique Angle Dual Check Backflow Valves have a meter star nut for iron yoke inlets and a wide variety of outlet configurations. Our top cap and unique check module design assures convenient access to both checks for inspection, maintenance, or replacement without removing the valve from the line. Backflow of water is still deterred if either of the checks are removed or inoperable.

- Insert stiffeners are required on all flexible plastic connections.

- Two inline checks.

- For Test Port Drain in cap, replace "-" in model number with "W".
Example: 712-3YE = 712W3YE. Add \$ 17.02 to list price.

Size	Description
23	= 5/8" meter -3/4" end connection
24	= 5/8" meter -1" end connection
33	= 5/8" x 3/4" or 3/4" meter -3/4" end connection
34	= 5/8" x 3/4" or 3/4" meter -1" end connection
44	= 1" meter -1" end connection

7112-3YE

Star Nut x FNPT

Size	Carton PCS/WT	Price
23	6/12	\$ 108.70
33	6/16	\$ 108.70
44	6/13	\$ 120.26



7112-3YR

Star Nut x Flare

Size	Carton PCS/WT	Price
23	6/13	\$ 131.08
33	6/14	\$ 131.08



7112-3Y2

Star Nut x -22 CTS

Size	Carton PCS/WT	Price
23	6/14	\$ 132.36
33	6/14	\$ 132.36
34	6/14	\$ 143.91



7112-3YQ

Star Nut x Q CTS

Size	Carton PCS/WT	Price
23	6/13	\$ 132.36
33	6/14	\$ 132.36
34	6/15	\$ 143.91

7112-3YT

Star Nut x T CTS

Size	Carton PCS/WT	Price
23	6/14	\$ 132.36
33	6/17	\$ 132.36
34	6/16	\$ 143.91



7112-3YU

Star Nut x G CTS

Size	Carton PCS/WT	Price
23	6/13	\$ 132.36
33	6/13	\$ 132.36

7112-4YQ

Star Nut x Q CTS

Size	Carton PCS/WT	Price
24	8/43	\$ 216.95
34	8/29	\$ 216.95
44	6/23	\$ 213.85

7112-4YT

Star Nut x T CTS

Size	Carton PCS/WT	Price
24	8/43	\$ 216.95
34	8/43	\$ 216.95
44	6/33	\$ 213.85

7112-4YE

Star Nut x FNPT

Size	Carton PCS/WT	Price
44	6/20	\$ 193.44

7112-4YU

Star Nut x G CTS

Size	Carton PCS/WT	Price
24	8/43	\$ 216.95
34	8/43	\$ 216.95
44	6/33	\$ 213.85

7112-4YR

Star Nut x Flare

Size	Carton PCS/WT	Price
24	8/31	\$ 215.21
34	6/21	\$ 215.21
44	6/24	\$ 212.05



7112-4Y2

Star Nut x -22 CTS

Size	Carton PCS/WT	Price
24	8/35	\$ 216.95
34	8/28	\$ 216.95
44	6/22	\$ 213.85



ANGLE YOKE STYLE CASCADING DUAL CHECK VALVE

7312-3YE

Star Nut x FNPT

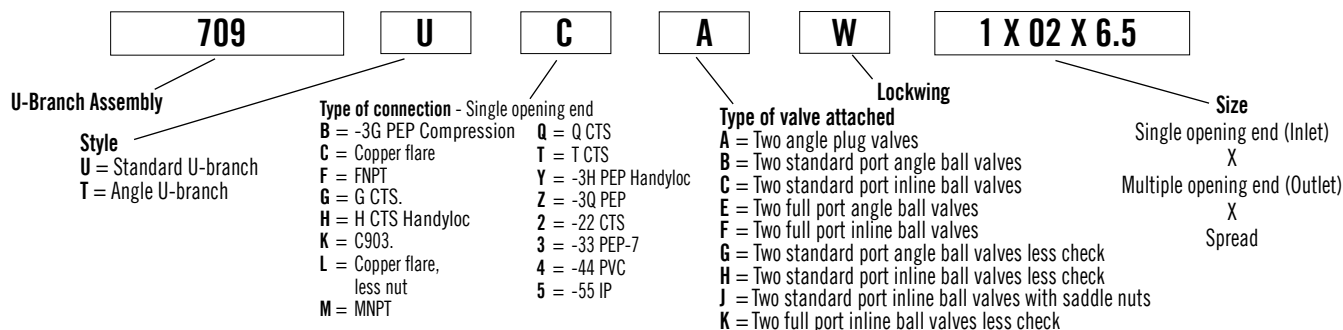
Size	Carton PCS/WT	Price
23	15/21	\$ 93.76
33	15/21	\$ 93.76



U-Branches Assemblies for Iron Yokes

A.Y. McDonald U-branch includes a star nut for connection to iron yoke bars. These angle ball valves come standard with 90° “open to close” operating head and the angle plug valves come standard with a 180° “open to close” operating head. These ball valves are non-directional and the plug valves are directional.

- Insert stiffeners are required on all flexible plastic connections.



BRANCH ASSEMBLIES

709TFEW

FNPT - Standard Port Angle Ball Valves

Size	Carton PCS/WT	Price
1" x 02 x 6.5	10/51	\$ 302.59

709UFCW

FNPT - Standard Port Inline Ball Valves

Size	Carton PCS/WT	Price
1" x 02 x 7.5	10/50	\$ 202.78

709U2BW

-22 - CTS Standard Port Angle Plug Valves

Size	Carton PCS/WT	Price
1" x 02 x 6.5	10/54	\$ 224.54
1 1/2" x 02 x 7.5	10/52	\$ 283.99

709T2BW

-22 - CTS Standard Port Angle Ball Valves

Size	Carton PCS/WT	Price
1" x 02 x 6.5	10/51	\$ 222.53

709UCAW

Flare - Angle Plug Valves

Size	Carton PCS/WT	Price
1" x 02 x 6.5	10/50	\$ 163.35
1" x 02 x 7.5	10/50	\$ 169.68

709U2CW

-22 - CTS Standard Port Inline Ball Valves

Size	Carton PCS/WT	Price
1" x 02 x 7.5	10/48	\$ 218.66

709UBAW

-3G PEP x Angle Plug Valves

Size	Carton PCS/WT	Price
1" x 02 x 7.5	10/49	\$ 182.48

709UGAW

G CTS x Angle Plug Valves

Size	Carton PCS/WT	Price
1" x 02 x 7.5	10/45	\$ 207.58

709U2EW

-22 - CTS Full Port Angle Ball Valves

Size	Carton PCS/WT	Price
1" x 02 x 7.5	5/28	\$ 383.19

709UCEW

Flare - Full Port Angle Ball Valves

Size	Carton PCS/WT	Price
1" x 02 x 7.5	5/29	\$ 345.55

709UZAW

-3 Q PEP x Angle Plug Valves

Size	Carton PCS/WT	Price
1" x 02 x 7.5	10/42	\$ 191.53

709U4EW

-44 - PVC Full Port Angle Ball Valves

Size	Carton PCS/WT	Price
1 1/2" x 02 x 7.5	5/30	\$ 458.86

709UMCW

MNPT x Standard Port Inline Ball Valves

Size	Carton PCS/WT	Price
1" x 02 x 7.5	10/42	\$ 179.24

709UTBW

T CTS Standard Port Angle Ball Valves

Size	Carton PCS/WT	Price
1" x 02 x 6.5	10/52	\$ 277.93

709U3AW

-33 - PEP Standard Port Angle Plug

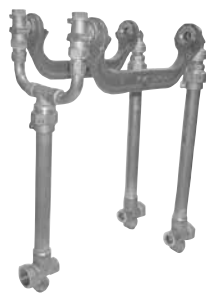
Size	Carton PCS/WT	Price
1" x 02 x 7.5	10/45	\$ 195.58

Iron Yoke Assemblies and Packages

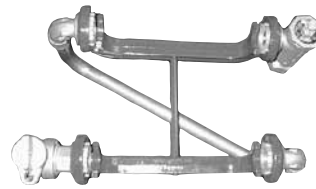
A.Y. McDonald offers a complete line of yoke assemblies and packages. Contact factory for assistance.



Single Settings
714G425LEFF66



Dual Yoke Settings
714H425LEFF44



Tandem Yoke Settings
714-2--WY22 332



Yoke Bar Assembly Only with Tie Bar
14-2-1TB
14-2-2TB
14-2-3TB
14-2-4TB

How to Order

To order Iron Yoke Assemblies: Model No. **714-1--LFC2 33** means:

714	-	1	--	LF	C2	Blank Space	33	
Series	Style	Meter Size	Meter Depth	Inlet & Outlet Valves	Type of Connection Inlet & Outlet Valves		Sizes of Connection - Inlet & Outlet Valves	Other/Tandem
714 - Iron Yoke		1 = 5/8" 2 = 5/8" x 3/4" 3 = 3/4" 4 = 1"	Two dashes or setter height				1 = 1/2" 2 = 5/8" 3 = 3/4" 4 = 1" 5 = 1 1/4" 6 = 1 1/2"	If required - (Identifies the size of the first iron yoke (inlet side) in a tandem yoke setting.) 1 = 5/8" 2 = 5/8" x 3/4" 3 = 3/4" 4 = 1"
<ul style="list-style-type: none"> - = Normal iron yoke package or tandem yoke assy with expanders E = Tandem iron yoke assembly less expanders F = Single iron yoke assembly with expanders G = Single iron yoke assembly less expanders H = Dual yoke setter less expanders - includes tie bar if height is specified K = Dual yoke assembly with expanders, with tie bar between yokes L = Tandem yoke assembly less 4619's and less expanders P = Single pronged yoke bar assembly less expanders Q = Pronged dual yoke assembly less expanders - no tie bar R = Pronged iron yoke package with expander S = Pronged iron yoke assembly with expander Z = Single yoke setter assembly less expanders, bulk packed 		<ul style="list-style-type: none"> D = Angle Dual check valve E = Elbow - 90° degrees F = Elbow with drain I = Full Port angle ball valve with lockwing with brass handle J = Full Port angle ball valve with lockwing K = Inline ball valve less lockwing - reducing port with drain and handle L = Angle plug valve with lockwing M = 1" port angle dual check valve N = Inline ball valve less lockwing - reduced port P = Inline ball valve less lockwing - reduced port with brass handle T = Angle plug valve with lockwing - with drain V = Angle plug valve with lockwing - reduced port, with brass handle W = Angle ball valve with lockwing - reduced port Y = Angle plug valve with lockwing - reduced port, with brass handle 		<ul style="list-style-type: none"> B = -3G PEP (-3G series with stop) C = Copper flare E = Female iron pipe (integral) F = Female iron pipe (integral elbow) G = G CTS McGrip (with stop) H = H CTS Handyloc P = Male iron pipe (integral) Q = Q CTS (with stop) T = T CTS U = -3G PEP Y = -3H PEP (with stop) Z = -3Q PEP (with stop) 2 = 22 CTS pack nut 3 = 33 CTS pack nut 4 = 44 CTS pack nut 5 = 55 CTS pack nut 				

All Configurations Not Available,
Contact Factory for Verification of Configuration.

Iron Yokes



Meter Boxes

Meter Boxes

Water Works Catalog / Price List - July 2017

MORE THAN A BRAND. WE'RE A FAMILY.

772 “G” Series Meter Box

5/8”, 5/8” X 3/4” METER - SINGLE

The “G” Series Meter Yoke Boxes utilize an expander for meter installation and are economical with having no bottom. It’s designed to hold 5/8” or 5/8” x 3/4” standard meter, and is installed in the service line as a unit that adapts to various service line materials.

- Cast iron meets ASTM A48, Class 25
- No-Lead water works brass
- Cast iron locking lid
- Expansion connection
- Economical installation
- Standard ball valve

Benefits

- Strength and longevity
- Meets AWWA C800 latest revision
- Secures meter installation
- Quick and easy wrench free meter change outs
- Requires only minimal excavation (8” depth)
- Easily operated, designed for years of trouble free service

Single “G” Box



Top view without lid



Side view



Top view with locking-lid

Standard Ball Valve x Straight Coupling (BC)

Model	Inlet Connection	Outlet Connection	Carton PCS/WT	Price
772-2--BCPP 332	3/4" MNPT	3/4" MNPT	1/27	\$ 238.11
772-2--BC22 332	3/4" -22 CTS	3/4" -22 CTS	1/31	\$ 266.56

Hardware Assembly Only for (BC) Series Single “G” Box

Model	Inlet Connection	Outlet Connection	Carton PCS/WT	Price
772-2SABCPP 33	3/4" MNPT	3/4" MNPT	1/3	\$ 121.91
772-2SABC22 33	3/4" CTS	3/4" CTS	1/4	\$ 155.86

Lids Only

75L1

Lockless Lid ONLY

Carton PCS/WT	Price
5/28	\$ 21.84

75L3

Locking Lid ONLY with hole

Carton PCS/WT	Price
5/24	\$ 25.59

75L6

Locking Lid ONLY with flip-read

Carton PCS/WT	Price
5/30	\$ 32.87

75L2

Locking Lid ONLY

Carton PCS/WT	Price
5/25	\$ 21.84

75L5

Lockless Lid ONLY with hole

Carton PCS/WT	Price
5/24	\$ 25.59

75L2X800

Plastic Locking Lid ONLY

Carton PCS/WT	Price
5/25	\$ 21.84

772 “G” Series Meter Box

5/8”, 5/8” X 3/4” METER - DOUBLE

The “G” Series Meter Yoke Boxes utilize an expander for meter installation and are economical with having no bottom. It’s designed to hold 5/8” or 5/8” x 3/4” standard meter, and is installed in the service line as a unit that adapts to various service line materials.

- Cast iron meets ASTM A48, Class 25
- No-Lead water works brass
- Cast iron locking lid
- Expansion connection
- Economical installation
- Standard ball valve

Benefits

- Strength and longevity
- Meets AWWA C800 latest revision
- Secures meter installation
- Quick and easy wrench free meter change outs
- Requires only minimal excavation (8” depth)
- Easily operated, designed for years of trouble free service

Double “G” Box



Standard Ball Valve x Straight Coupling (BC) with Straight Branch Inlet (D)

Model	Inlet Connection	Outlet Connection	Carton PCS/WT	Price
772D2--BCGP 432	1" FNPT	3/4" MNPT	1/46	\$ 508.83
772D2--BC22 432	1" CTS	3/4" CTS	1/47	\$ 559.30

Hardware Assembly Only for (BC) Series Double “G” Box - Straight Branch

Model	Inlet Connection	Outlet Connection	Carton PCS/WT	Price
772D2SABCGP 43	1" FNPT	3/4" FNPT	1/6	\$ 341.78
772D2SABC22 43	1" CTS	3/4" CTS	1/9	\$ 392.25

Standard Ball Valve x Straight Coupling (BC) with Angle Branch Inlet (F)

Model	Inlet Connection	Outlet Connection	Carton PCS/WT	Price
772F2--BCGP 432	1" FNPT	3/4" MNPT	1/46	\$ 531.17
772F2--BC22 432	1" CTS	3/4" CTS	1/47	\$ 561.15

Hardware Assembly Only for (BC) Series Double “G” Box - Angle Branch

Model	Inlet Connection	Outlet Connection	Carton PCS/WT	Price
772F2SABCGP 43	1" Angle FNPT	3/4" FNPT	1/13	\$ 364.12
772F2SABC22 43	1" Angle CTS	3/4" CTS	1/9	\$ 394.10

Lids Only

72DL2

Locking Lid

Carton PCS/WT	Price
5/15	\$ 38.72

72DL2TT

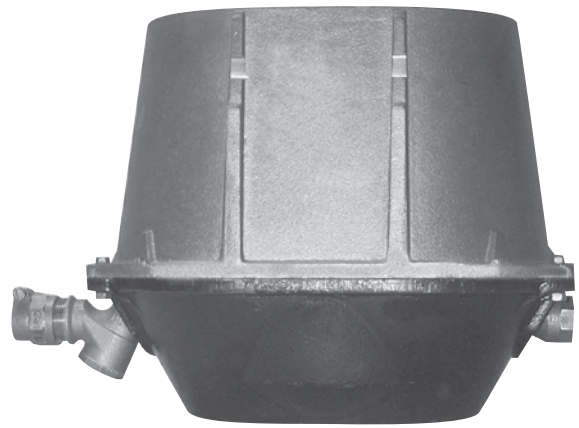
Locking Lid with Two Holes

Carton PCS/WT	Price
5/48	\$ 46.22

775 Series

5/8" OR 5/8" X 3/4" METER

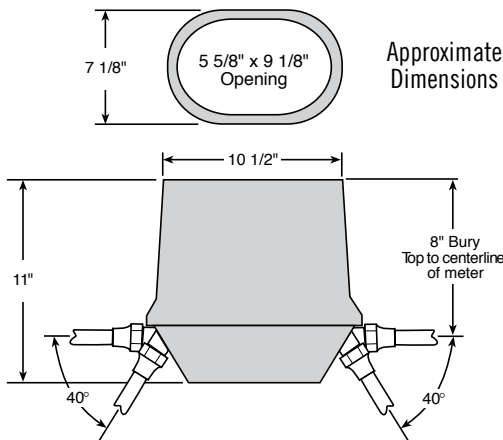
Straight and angle valves are available for the yokebox inlet and outlet, 8" bury is standard. Angle valves are 60° from horizontal. Straight back flow or connection outlets are available. Cast iron base keeps out dirt, mud, and pests, resulting in a cleaner meter. Holes in the base provide drainage.



Cast iron base, upper section, and lid are black dip coated to help prevent rust. Expansion connection and gaskets are also included with package.

A standard fully assembled yokebox includes:

- Cast Iron Base
- Upper Section (Cast Iron or Plastic)
- Cast Iron Locking lid standard
- Inlet and Outlet Connection
- Shallow center line of meter 8" below grade



NOTE: All combinations may not be available with all models. Contact factory for further information.

LID OPTIONS

For custom logo lids, contact factory.



75L1 - Lockless



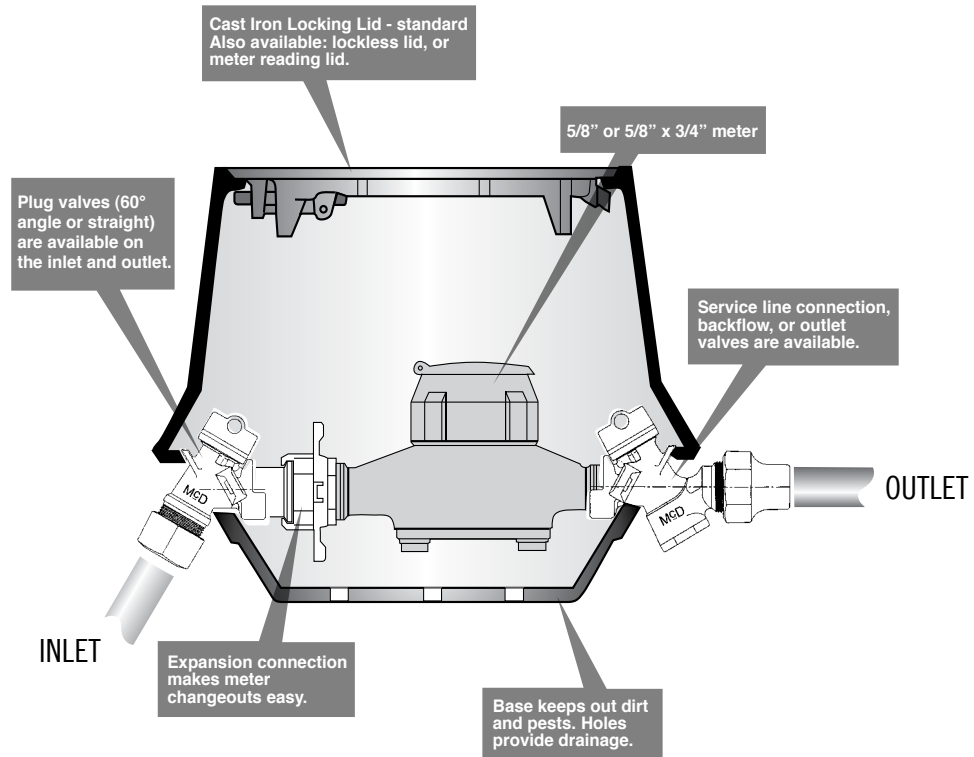
75L2 - Locking (standard)



75L3 - Locking with 2" Hole



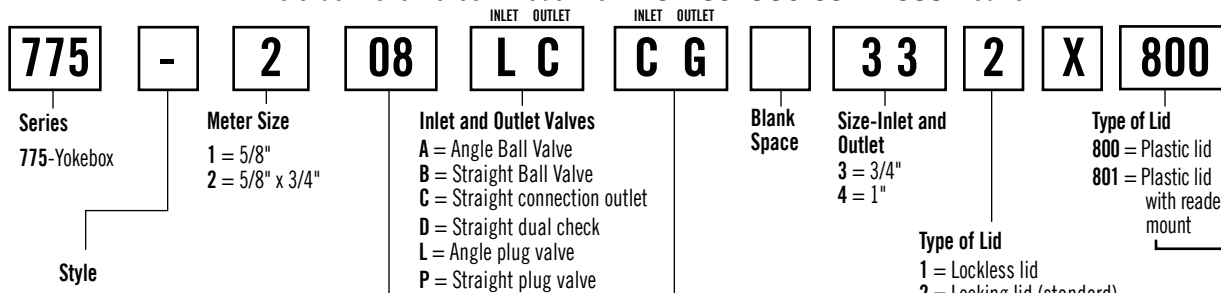
75L6 - Locking with Flip-Lid



775 Series

FOR 5/8" OR 5/8" X 3/4" METER

To order Yoke Boxes - Model No. **775-208LCCG 332 X 800** means:



775
Series
775-Yokebox

-
Style
- = Standard
P = Plastic upper section

2
Meter Size
1 = 5/8"
2 = 5/8" x 3/4"

08
Meter Depth
05 = 5" Cast iron upper section
08 = 8" Cast iron or plastic upper section
10 = 10" Cast iron upper section

NOTE: For 4" plastic riser, add 04" to meter depth

LC
Inlet and Outlet Valves
A = Angle Ball Valve
B = Straight Ball Valve
C = Straight connection outlet
D = Straight dual check
L = Angle plug valve
P = Straight plug valve

CG
Type of connection - Inlet and Outlet
A = Angle Ball Valve
B = 3/4" -3G PEP Compression
G = 3/4" FNPT
Q = 3/4" or 1" Q CTS Compression
T = 3/4" or 1" T CTS Compression
V = 3/4" or 1" G CTS Compression
W = 3/4" or 1" H CTS Compression
Y = 3/4" -3H PEP Compression
Z = 3/4" -3Q PEP Compression
2 = 3/4" or 1" -22 CTS Compression
3 = 3/4" -33 PEP-7 Compression
4 = 3/4" -44 PVC Compression
5 = 3/4" -55 IP Compression

B = Straight Ball Valve
B = 3/4" -3G PEP Compression
C = 3/4" Copper Flare
D = 3/4" Dual Purpose
G = 3/4" FNPT Integral
H = 3/4" Copper Flare less flare nut
M = 3/4" or 1" MNPT Union
Q = 3/4" or 1" Q CTS Compression
T = 3/4" or 1" T CTS Compression
V = 3/4" or 1" G CTS Compression
W = 3/4" or 1" H CTS Compression
Y = 3/4" -3H PEP Compression
Z = 3/4" -3Q PEP Compression
2 = 3/4" or 1" -22 CTS Compression
3 = 3/4" -33 PEP-7 Compression
4 = 3/4" -44 PVC Compression
5 = 3/4" -55 IP Compression

C = Straight Connection
B = 3/4" -3G PEP Compression
G = 3/4" FNPT
Q = 3/4" or 1" Q CTS Compression
T = 3/4" or 1" T CTS Compression
V = 3/4" or 1" G CTS Compression
W = 3/4" or 1" H CTS Compression
Y = 3/4" -3H PEP Compression
Z = 3/4" -3Q PEP Compression
2 = 3/4" or 1" -22 CTS Compression
3 = 3/4" -33 PEP-7 Compression
4 = 3/4" -44 PVC Compression
5 = 3/4" -55 IP Compression

D = Straight Dual Check
G = 3/4" FNPT
Q = 3/4" Q CTS Compression
T = 3/4" T CTS Compression
V = 3/4" G CTS Compression
W = 3/4" or 1" H CTS Compression
2 = 3/4" -22 CTS Compression

Blank Space

33
Size-Inlet and Outlet
3 = 3/4"
4 = 1"

2
Type of Lid
1 = Lockless lid
2 = Locking lid (standard)
3 = Locking lid with 2" dia. hole
4 = Locking lid with removable 2" dia. plug
5 = Lockless lid with 2" dia. hole
6 = Locking lid with flip lid
7 = Lockless lid with removable 2" plug

800
Type of Lid
800 = Plastic lid
801 = Plastic lid with reader mount

PLASTIC LID OPTIONS



L = Angle Plug Valve
B = 3/4" -3G PEP Compression
C = 3/4" Copper Flare
G = 3/4" FNPT
H = 3/4" Copper Flare less flare nut
Q = 3/4" or 1" Q CTS Compression
T = 3/4" or 1" T CTS Compression
V = 3/4" or 1" G CTS Compression
W = 3/4" or 1" H CTS Compression
Y = 3/4" -3H PEP Compression
Z = 3/4" -3Q PEP Compression
2 = 3/4" or 1" -22 CTS Compression
3 = 3/4" -33 PEP-7 Compression
4 = 3/4" -44 PVC Compression
5 = 3/4" -55 IP Compression

P = Straight Plug Valve
B = 3/4" -3G PEP Compression
C = 3/4" Copper Flare
D = 3/4" Dual Purpose
G = 3/4" FNPT Integral
H = 3/4" Copper Flare less flare nut
M = 3/4" MNPT Union
Q = 3/4" or 1" Q CTS Compression
T = 3/4" or 1" T CTS Compression
V = 3/4" or 1" G CTS Compression
W = 3/4" or 1" H CTS Compression
Y = 3/4" -3H PEP Compression
Z = 3/4" -3Q PEP Compression
2 = 3/4" or 1" -22 CTS Compression
3 = 3/4" -33 PEP-7 Compression
4 = 3/4" -44 PVC Compression
5 = 3/4" -55 IP Compression

NOTE: All combinations may not be available with all models. Contact factory for further information.

Meter Boxes

775 Series

FOR 5/8" OR 5/8" X 3/4" METER

Angle Ball Valve Inlet x Straight Outlet (AC)

Model	Inlet Connection	Outlet Connection	Carton PCS/WT	Price
775-208AC2G 332	3/4" -22 CTS	3/4" FNPT	1/36	\$ 331.15

Angle Ball Valve Inlet x Dual Check Outlet (AD)

Model	Inlet Connection	Outlet Connection	Carton PCS/WT	Price
775-208AD2G 332	3/4" -22 CTS	3/4" FNPT	1/36	\$ 414.55

Straight Ball Valve Inlet x Straight Outlet (BC)

Model	Inlet Connection	Outlet Connection	Carton PCS/WT	Price
775-208BC2G 332	3/4" -22 CTS	3/4" FNPT	1/36	\$ 338.10

Angle Plug Valve Inlet x Straight Outlet (LC)

Model	Inlet Connection	Outlet Connection	Carton PCS/WT	Price
775-208LC22 332	3/4" -22 CTS	3/4" -22CTS	1/36	\$ 302.00
775-208LC22 442	1" -22 CTS	1" -22CTS	1/39	\$ 326.31
775-208LC2G 332	3/4" -22 CTS	3/4" FNPT	1/36	\$ 289.14
775-208LC2G 432	1" -22 CTS	3/4" FNPT	1/37	\$ 299.72
775-208LC3G 332	3/4" -33 PEP-7	3/4" FNPT	1/36	\$ 300.47
775-208LCQG 332	3/4" Q CTS	3/4" FNPT	1/36	\$ 289.14
775-208LCQG 432	1" Q CTS	3/4" FNPT	1/37	\$ 299.88
775-208LC TG 332	3/4" T CTS	3/4" FNPT	1/36	\$ 289.14
775-208LC TG 432	1" T CTS	3/4" FNPT	1/37	\$ 299.88

Angle Plug Valve Inlet x Straight Dual Check Outlet (LD)

Model	Inlet Connection	Outlet Connection	Carton PCS/WT	Price
775-208LD22 332	3/4" -22 CTS	3/4" -22 CTS	1/39	\$ 384.67
775-208LD22 432	1" -22 CTS	3/4" -22 CTS	1/40	\$ 396.54
775-208LD2G 332	3/4" -22 CTS	3/4" FNPT	1/38	\$ 372.03
775-208LD2G 432	1" -22CTS	3/4" FNPT	1/40	\$ 382.78
775-208LD4G 332	3/4" PVC	3/4" FNPT	1/38	\$ 383.36
775-208LDQQ 332	3/4" Q CTS	3/4" Q CTS	1/38	\$ 384.84
775-208LD TG 332	3/4" T CTS	3/4" FNPT	1/37	\$ 372.01
775-208LD TT 332	3/4" T CTS	3/4" T CTS	1/39	\$ 384.84

Lids Only

75L1

Lockless Lid ONLY

Carton PCS/WT	Price
5/28	\$ 21.84

75L2

Locking Lid ONLY

Carton PCS/WT	Price
5/25	\$ 21.84

75L3

Locking Lid ONLY with hole

Carton PCS/WT	Price
5/24	\$ 25.59

75L5

Lockless Lid ONLY with hole

Carton PCS/WT	Price
5/24	\$ 25.59

75L6

Locking Lid ONLY with flip-read

Carton PCS/WT	Price
5/30	\$ 32.87

75L2X800

Plastic Locking Lid ONLY

Carton PCS/WT	Price
5/25	\$ 21.84

Angle Plug Valve Inlet x Angle Plug Outlet (LL)

Model	Inlet Connection	Outlet Connection	Carton PCS/WT	Price
775-208AC2G 332	3/4" -22 CTS	3/4" -22 CTS	1/40	\$ 334.61

Straight Plug Valve Inlet x Straight Outlet (PC)

Model	Inlet Connection	Outlet Connection	Carton PCS/WT	Price
775-208PC22 332	3/4" -22 CTS	3/4" -22 CTS	1/34	\$ 315.40
775-208PC22 442	1" -22 CTS	1" -22 CTS	1/38	\$ 340.08
775-208PC2G 332	3/4" -22 CTS	3/4" FNPT	1/34	\$ 313.47
775-208PC2G 432	1" -22 CTS	3/4" FNPT	1/35	\$ 316.47
775-208PC3G 332	3/4" -33 PEP-7	3/4" FNPT	1/34	\$ 326.63
775-208PCCG 332	3/4" Flare	3/4" FNPT	1/34	\$ 300.92
775-208PCDG 332	3/4" Dual Purpose	3/4" FNPT	1/35	\$ 300.92
775-208PCQG 432	1" Q CTS	3/4" FNPT	1/36	\$ 316.47
775-208PCTG 432	1" T CTS	3/4" FNPT	1/36	\$ 316.47

Straight Plug Valve Inlet x Straight Dual Check Outlet (PD)

Model	Inlet Connection	Outlet Connection	Carton PCS/WT	Price
775-208PD2G 332	3/4" -22 CTS	3/4" FNPT	1/39	\$ 396.38
775-208PD2G 432	1" -22 CTS	3/4" FNPT	1/40	\$ 411.44
775-208PDDG 332	3/4" Dual Purpose	3/4" FNPT	1/40	\$ 386.50
775-208PDQG 332	3/4" Q CTS	3/4" FNPT	1/39	\$ 396.38

ADDER FOR LID TYPES

Change last number in model

- 1 = N/C
- 2 = Standard
- 3 = Add \$ 3.75
- 4 = Add \$ 10.75
- 5 = Add \$ 3.75
- 6 = Add \$ 16.20
- 7 = Add \$ 10.75
- X800 = N/C
- X801 = \$ 3.75

YOKEBOX ADDERS AND OPTIONS

- P Plastic upper section for 8" Yokebox deduct (- \$ 43.28)
- 05 Yokebox with 5" meter depth cast iron upper section deduct (- \$ 20.07)
- 09 Yokebox with 9" meter depth - 5" cast iron upper section with 4" plastic riser add \$ 38.99
- 10 Yokebox with 10" meter depth - cast iron upper section add \$ 18.30
- 12 Yokebox with 12" meter depth - 8" cast iron upper section and 4" plastic riser add \$ 59.01
- 14 Yokebox with 14" meter depth - 10" cast iron upper section and 4" plastic riser add \$ 77.17

Meter Boxes

775 Series

FOR 5/8" OR 5/8" X 3/4" METER

Parts & Accessories



75-US08 (Iron)

75-US05

Cast Iron Upper Section ONLY

Size	Carton PCS/WT	Price
5"	1/12	\$ 41.91



75PUS08 (Plastic)

75-US08

Cast Iron Upper Section ONLY

Size	Carton PCS/WT	Price
8"	1/19	\$ 54.91



**75PEX04
4" Plastic Riser**

75-US10

Cast Iron Upper Section ONLY

Size	Carton PCS/WT	Price
10"	1/19	\$ 67.46

75PEX04

Plastic Riser

Size	Carton PCS/WT	Price
4"	5/8	\$ 45.75



**75GA2
Grade Adjuster**

75GA2

Grade Adjuster, 2" Riser

Carton PCS/WT	Price
1/8	\$ 48.18

DUAL CHECK VALVES

711-3WE

Dual Check Yoke x FNPT

Size	Carton PCS/WT	Price
33	16/23	\$ 98.82

711-3WV

Dual Check Yoke x Tube

Size	Carton PCS/WT	Price
33	16/28	\$ 110.81

ANGLE VALVES

74601A

Angle Yoke Valve - Flare

Size	Carton PCS/WT	Price
3/4"	10/16	\$ 73.22

74601A-22

Angle Yoke Valve -22 CTS

Size	Carton PCS/WT	Price
3/4"	10/13	\$ 75.59
1" x 3/4"	10/15	\$ 88.79

74601AQ

Angle Yoke Valve - Q CTS

Size	Carton PCS/WT	Price
3/4"	10/15	\$ 75.59
1" x 3/4"	10/19	\$ 88.79

74601AT

Angle Yoke Valve - T CTS

Size	Carton PCS/WT	Price
3/4"	10/16	\$ 75.59
1" x 3/4"	10/19	\$ 88.79

74601A-33

Angle Yoke Valve -33 PEP-7

Size	Carton PCS/WT	Price
3/4"	10/16	\$ 88.79

STRAIGHT VALVES

73060A

Straight Plug Valve - Flare

Size	Carton PCS/WT	Price
3/4"	10/20	\$ 88.85

73060A-22

Straight Plug Valve -22 CTS

Size	Carton PCS/WT	Price
3/4"	10/20	\$ 91.55
1" x 3/4"	10/20	\$ 108.52

73060AQ

Straight Plug Valve - Q CTS

Size	Carton PCS/WT	Price
3/4"	10/19	\$ 91.55
1" x 3/4"	10/22	\$ 108.52

73060AT

Straight Plug Valve - T CTS

Size	Carton PCS/WT	Price
3/4"	10/30	\$ 91.55
1" x 3/4"	10/20	\$ 108.52

73060A-33

Straight Plug Valve -33 PEP-7

Size	Carton PCS/WT	Price
3/4"	10/21	\$ 110.67

73060ADP

Straight Plug Valve - Dual Purpose

Size	Carton PCS/WT	Price
3/4"	10/21	\$ 89.05

711-3W2

Dual Check Yoke x -22 CTS

Size	Carton PCS/WT	Price
33	16/27	\$ 110.81

711-3WT

Dual Check Yoke x T CTS

Size	Carton PCS/WT	Price
33	16/28	\$ 110.81

775 Series

FOR 1" METER

Straight Ball Valves are standard on the 1" yokebox inlet, 10" bury is standard. Cast Iron base keeps out dirt, mud, and pests, resulting in a cleaner meter. Holes in the base provide drainage.

Cast iron base, upper section, and lid are black dip coated to prevent rust. Expansion connection and gaskets are also included with package.

A standard fully assembled yokebox includes:

- Cast Iron Housing Construction
- Locking Cast Iron Lid
- 1" Ball Style Inlet Valve with FNPT
- Straight Outlet with 1" FNPT

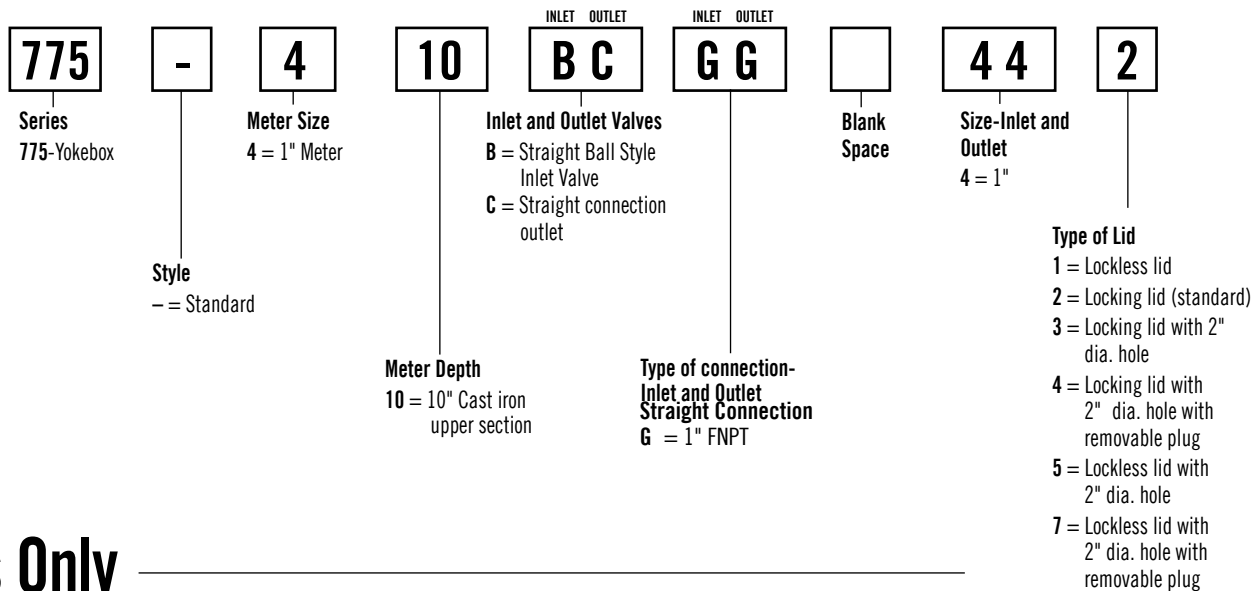


Straight Ball Valve

Inlet x Straight Outlet

Model	Inlet Connection	Outlet Connection	Carton PCS/WT	Price
775-410BCGG 442	1" FNPT	1" FNPT	1/80	\$ 627.63

To order 1" Yoke Box - Model No. **775-410BCGG 442** means:



Lids Only

75L41

Lockless Lid ONLY

Carton PCS/WT	Price
5/28	\$ 38.13

75L42

Locking Lid ONLY

Carton PCS/WT	Price
5/28	\$ 38.13

75-4US10

Upper Section ONLY

Carton PCS/WT	Price
1/38	\$ 111.28

75L43

Locking Lid ONLY with hole

Carton PCS/WT	Price
5/28	\$ 41.74

75L45

Lockless Lid ONLY with hole

Carton PCS/WT	Price
5/28	\$ 41.74

776 Series

FOR 5/8" OR 5/8" X 3/4" METER

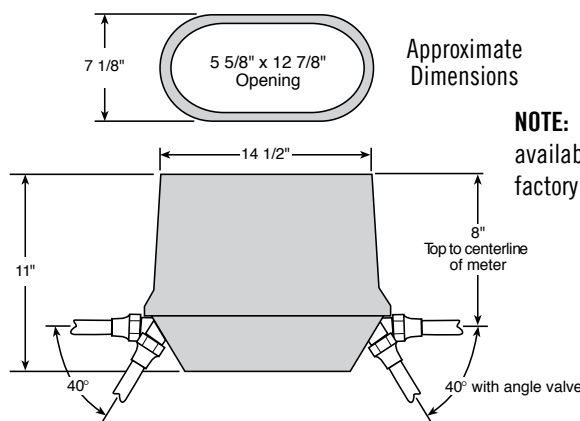
Straight or angle valves are available for the longbox inlet and outlet, 8" bury is standard. Angle valves are 60° from horizontal. Straight connection outlets are also available.

Cast iron base keeps out dirt, mud, and pests, resulting in a cleaner meter. Holes in the base provide drainage. Cast iron base, upper section, and lid are black dip coated to prevent rust. Expansion connection, gaskets, and ASSE 1024 inline dual check valve are included with package.



A standard fully assembled longbox includes:

- Cast Iron Base
- Upper Section (Cast Iron or Plastic)
- Cast Iron Locking lid standard
- Inlet and Outlet Connection
- Shallow center line of meter 8" below grade



NOTE: All combinations may not be available with all models. Contact factory for further information.

LID OPTIONS

For custom logo lids, contact factory.



76L1 - Lockless



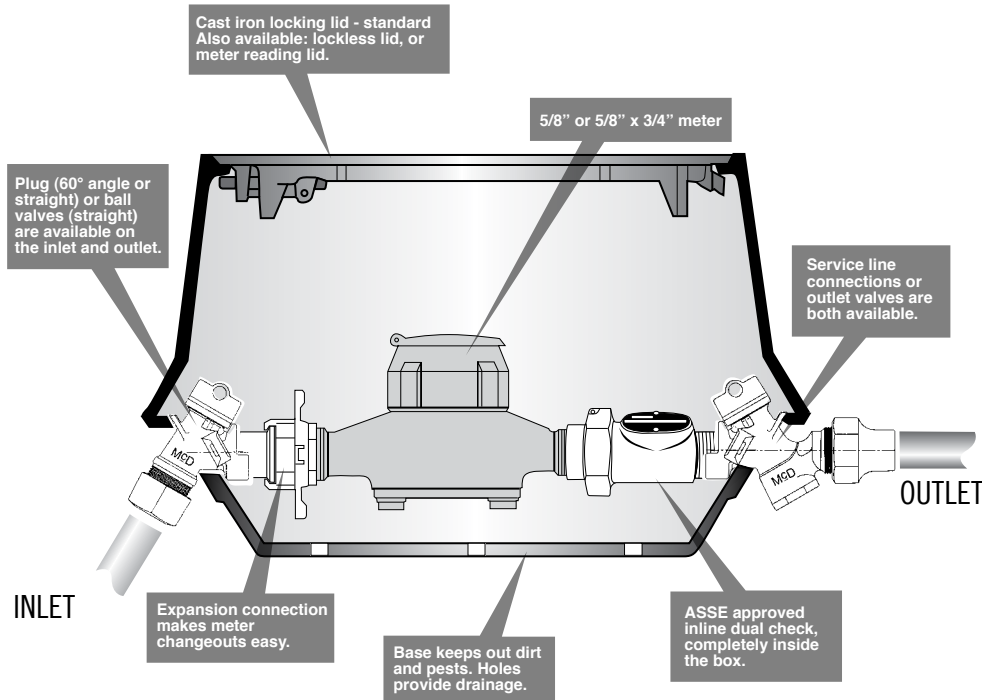
76L2 - Locking (standard)



76L3 - Locking with 2" Hole



76L5 - Lockless with 2" Hole

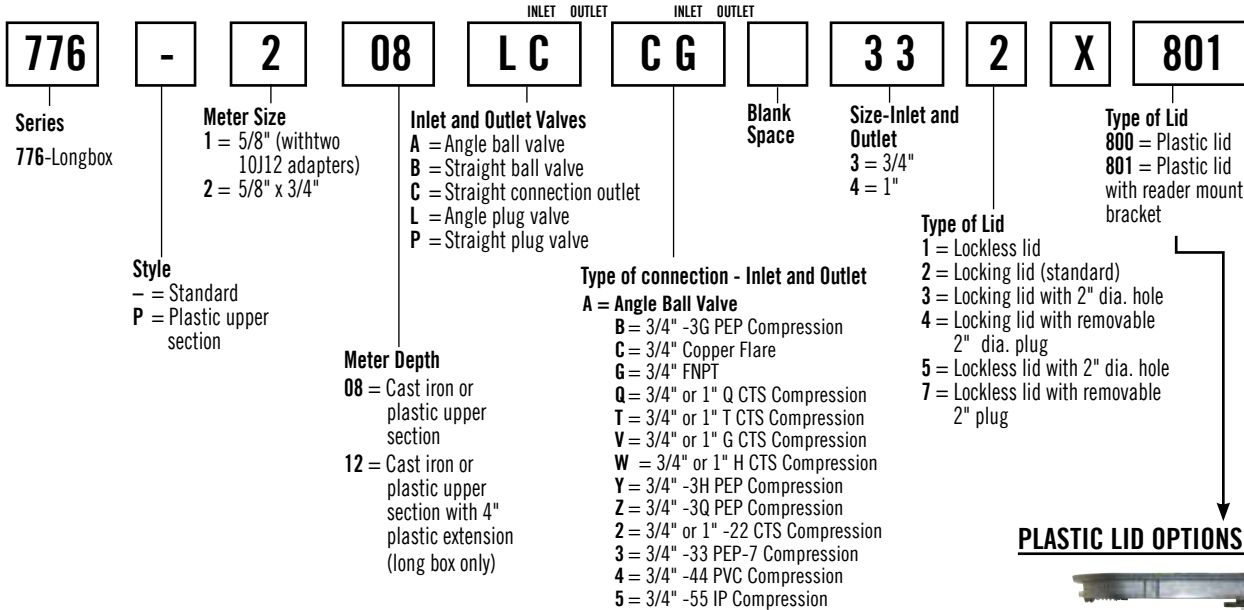


Meter Boxes

776 Series

5/8" OR 5/8" X 3/4" METER

To order Long Boxes - Model No. **776-208LCCG 332 X 801** means:



PLASTIC LID OPTIONS



76L2 X801

NOTE: All combinations may not be available with all models. Contact factory for further information.

- B = Straight Ball Valve**
 B = 3/4" -3G PEP Compression
 C = 3/4" Copper Flare
 D = 3/4" Dual Purpose
 G = 3/4" FNPT Integral
 H = 3/4" Copper Flare less flare nut
 M = 3/4" or 1" MNPT Union
 Q = 3/4" or 1" Q CTS Compression
 T = 3/4" or 1" T CTS Compression
 V = 3/4" or 1" G CTS Compression
 W = 3/4" or 1" H CTS Compression
 Y = 3/4" -3H PEP Compression
 Z = 3/4" -3Q PEP Compression
 2 = 3/4" or 1" -22 CTS Compression
 3 = 3/4" -33 PEP-7 Compression
 4 = 3/4" -44 PVC Compression
 5 = 3/4" -55 IP Compression

- C = Straight Connection**
 B = 3/4" -3G PEP Compression
 G = 3/4" FNPT
 Q = 3/4" or 1" Q CTS Compression
 T = 3/4" or 1" T CTS Compression
 V = 3/4" or 1" G CTS Compression
 W = 3/4" or 1" H CTS Compression
 Y = 3/4" -3H PEP Compression
 Z = 3/4" -3Q PEP Compression
 2 = 3/4" or 1" -22 CTS Compression
 3 = 3/4" -33 PEP-7 Compression
 4 = 3/4" -44 PVC Compression
 5 = 3/4" -55 IP Compression

- L = Angle Plug Valve**
 B = 3/4" -3G PEP Compression
 C = 3/4" Copper Flare
 G = 3/4" FNPT
 H = 3/4" Copper Flare less flare nut
 Q = 3/4" or 1" Q CTS Compression
 T = 3/4" or 1" T CTS Compression
 V = 3/4" or 1" G CTS Compression

- L = Angle Plug Valve - continued**
 W = 3/4" or 1" H CTS Compression
 Y = 3/4" -3H PEP Compression
 Z = 3/4" -3Q PEP Compression
 2 = 3/4" or 1" -22 CTS Compression
 3 = 3/4" -33 PEP-7 Compression
 4 = 3/4" -44 PVC Compression
 5 = 3/4" -55 IP Compression

- P = Straight Plug Valve**
 B = 3/4" -3G PEP Compression
 C = 3/4" Copper Flare
 D = 3/4" Dual Purpose
 G = 3/4" FNPT Integral
 H = 3/4" Copper Flare less flare nut
 M = 3/4" MNPT Union
 Q = 3/4" or 1" Q CTS Compression
 T = 3/4" or 1" T CTS Compression
 V = 3/4" or 1" G CTS Compression
 W = 3/4" or 1" H CTS Compression
 Y = 3/4" -3H PEP Compression
 Z = 3/4" -3Q PEP Compression
 2 = 3/4" or 1" -22 CTS Compression
 3 = 3/4" -33 PEP-7 Compression
 4 = 3/4" -44 PVC Compression
 5 = 3/4" -55 IP Compression

776 Series

5/8" OR 5/8" X 3/4" METER

Angle Ball Valve Inlet x Angle Ball Valve Outlet (AA)

Model	Inlet Connection	Outlet Connection	Carton PCS/WT	Price
776-208AAV 332	3/4" G CST	3/4" G CST	1/56	\$ 621.52

Angle Ball Valve Inlet x Straight Connection Outlet (AC)

Model	Inlet Connection	Outlet Connection	Carton PCS/WT	Price
776-208AC22 332	3/4" -22 CTS	3/4" -22 CTS	1/54	\$ 557.44
776-208AC2G 332	3/4" -22 CTS	3/4" FNPT	1/55	\$ 540.88
776-208AC2G 432	1" -22 CTS	3/4" FNPT	1/56	\$ 562.12
776-208ACCG 332	3/4" FLARE	3/4" FNPT	1/53	\$ 545.58
776-208ACQG 332	3/4" Q CST	3/4" FNPT	1/54	\$ 540.88
776-208ACQG 432	1" Q CTS	3/4" FNPT	1/53	\$ 561.98
776-208ACTG 432	1" T CTS	3/4" FNPT	1/54	\$ 561.98
776-208ACZG 332	3/4" -3Q PEP	3/4" FNPT	1/55	\$ 552.19

Straight Ball Valve Inlet x Straight Ball Valve Outlet (BB)

Model	Inlet Connection	Outlet Connection	Carton PCS/WT	Price
776-208BB22 332	3/4" -22 CTS	3/4" -22 CTS	1/54	\$ 599.55
776-208BBQG 332	3/4" Q CST	3/4" FNPT	1/54	\$ 584.72
776-208BBQG 332	3/4" Q CST	3/4" Q CST	1/54	\$ 599.55
776-208BBTG 332	3/4" T CTS	3/4" FNPT	1/54	\$ 584.72
776-208BBTT 332	3/4" T CTS	1" T CTS	1/54	\$ 599.55

Straight Ball Valve Inlet x Straight Connection Outlet (BC)

Model	Inlet Connection	Outlet Connection	Carton PCS/WT	Price
776-208BC2G 332	3/4" -22 CTS	3/4" FNPT	1/54	\$ 504.40
776-208BCFG 432	1" FNPT	3/4" FNPT	1/56	\$ 499.51
776-208BCGG 332	3/4" FNPT	3/4" FNPT	1/54	\$ 482.62
776-208BCQG 332	3/4" Q CST	3/4" FNPT	1/54	\$ 504.40
776-208BCTG 332	3/4" T CTS	3/4" FNPT	1/54	\$ 504.40
776-208BCVG 332	3/4" G CST	3/4" FNPT	1/54	\$ 506.11
776-208BCVG 432	1" G CST	3/4" FNPT	1/56	\$ 527.80

Angle Plug Valve Inlet x Straight Connection Outlet (LC)

Model	Inlet Connection	Outlet Connection	Carton PCS/WT	Price
776-208LC22 332	3/4" -22 CTS	3/4" -22 CTS	1/54	\$ 485.91
776-208LC22 442	1" -22 CTS	1" -22 CTS	1/56	\$ 504.46
776-208LC2G 332	3/4" -22 CTS	3/4" FNPT	1/54	\$ 470.53
776-208LC2G 432	1" -22 CTS	3/4" FNPT	1/54	\$ 538.80
776-208LC2G 442	1" -22 CTS	1" FNPT	1/54	\$ 492.68
776-208LC3G 332	3/4" -33 PEP-7	3/4" FNPT	1/56	\$ 481.33
776-208LCBG 332	3/4" -3G PEP	3/4" FNPT	1/55	\$ 481.33
776-208LCCG 332	3/4" FLARE	3/4" FNPT	1/55	\$ 468.66
776-208LCQG 332	3/4" Q CST	3/4" FNPT	1/55	\$ 470.53
776-208LCQG 332	3/4" T CTS	3/4" FNPT	1/55	\$ 470.53
776-208LCQG 432	1" T CTS	3/4" FNPT	1/55	\$ 492.64
776-208LCVG 332	3/4" G CST	3/4" FNPT	1/55	\$ 470.53
776-208LCZG 332	3/4" -3Q PEP	3/4" FNPT	1/55	\$ 481.33

Angle Plug Valve Inlet x Angle Plug Valve Outlet (LL)

Model	Inlet Connection	Outlet Connection	Carton PCS/WT	Price
776-208LLCT 332	3/4" FLARE	3/4" T CTS	1/54	\$ 524.08
776-208LLIT 332	3/4" T CTS	3/4" T CTS	1/54	\$ 524.39
776-208LLV 332	3/4" G CST	3/4" G CST	1/54	\$ 524.39
776-208LLV 432	1" G CST	3/4" G CST	1/54	\$ 526.75

Straight Plug Valve Inlet x Straight Connection Outlet (PC)

Model	Inlet Connection	Outlet Connection	Carton PCS/WT	Price
776-208PC2G 332	3/4" -22 CTS	3/4" FNPT	1/52	\$ 478.75
776-208PC2G 432	1" -22 CTS	3/4" FNPT	1/53	\$ 495.72
776-208PC3G 332	3/4" -33 PEP-7	3/4" FNPT	1/53	\$ 494.06
776-208PCDG 332	3/4" Dual Purpose	3/4" FNPT	1/55	\$ 485.08
776-208PCQG 332	3/4" Q CST	3/4" FNPT	1/52	\$ 478.75
776-208PCQG 432	1" Q CTS	3/4" FNPT	1/52	\$ 505.68
776-208PCQG 332	3/4" Q CST	3/4" Q CST	1/52	\$ 487.88
776-208PCTG 332	3/4" T CTS	3/4" FNPT	1/52	\$ 478.75
776-208PCVG 432	3/4" G CST	3/4" FNPT	1/52	\$ 495.72

ADDER FOR LID TYPES

Change last number in model

- 1 = N/C
- 2 = Standard
- 3 = Add \$ 3.75
- 4 = Add \$ 10.75
- 5 = Add \$ 3.75
- 7 = Add \$ 10.75
- X800 = N/C
- X801 = \$ 3.75

LONGBOX ADDERS AND OPTIONS

- P Plastic upper section for 8" Yokebox deduct (- \$ 73.25)
- 12 Longbox with 12" meter depth - add \$ 86.70

Contact Factory for other options.

Parts & Accessories

776 Series

5/8" OR 5/8" X 3/4" METER

Longbox



76-US08 (Iron)



76PUS08 (Plastic)



4" Riser
76PEX04 = Plastic
76-EX04 = Cast Iron



76-2CF
Concrete Anchor Flange

76-2CF Concrete Anchor Flange

Size	Carton PCS/WT	Price
	1/16	\$ 103.77

76-US08

8" Upper Section ONLY - Cast Iron

Carton PCS/WT	Price
1/26	\$ 117.70

76-US12

12" Upper Section Only - Cast Iron

Carton PCS/WT	Price
5/9	\$ 185.43

76PUS08

8" Upper Section ONLY - Plastic

Carton PCS/WT	Price
1/3	\$ 60.47

76PEX04

4" Plastic Extension Only

Carton PCS/WT	Price
5/9	\$ 34.96

76PEXS

Screws Packaged for Plastic Extension

Carton PCS/WT	Price
40/6	\$ 0.62

76-EX04

4" Cast Iron Extension

Carton PCS/WT	Price
5/9	\$ 67.73

776-2J

Long box idler

Carton PCS/WT	Price
10/8	\$ 71.31

776-2SA

Hardware Package for 76 Series, Dual Check, Gaskets, and Expander

Carton PCS/WT	Price
	\$ 139.14

Lids Only

76L1

Lockless Cover ONLY

Carton PCS/WT	Price
5/30	\$ 34.15

76L2

Locking Cover ONLY

Carton PCS/WT	Price
5/34	\$ 34.15

76L3

Locking Lid ONLY withhole

Carton PCS/WT	Price
5/33	\$ 37.93

76L5

Lockless Lid ONLY withhole

Carton PCS/WT	Price
5/30	\$ 37.93

76L2X800

Plastic Locking Lid ONLY

Carton PCS/WT	Price
5/25	\$ 34.15

Parts & Accessories

776 Series

5/8" OR 5/8" X 3/4" METER

STRAIGHT VALVES

73060A

Straight Plug Valve - Flare

Size	Carton PCS/WT	Price
3/4"	10/20	\$ 88.85

73060A-22

Straight Plug Valve -22 CTS

Size	Carton PCS/WT	Price
3/4"	10/20	\$ 91.55
1" x 3/4"	10/20	\$ 108.52

73060AQ

Straight Plug Valve - Q CTS

Size	Carton PCS/WT	Price
3/4"	10/19	\$ 91.55
1" x 3/4"	10/22	\$ 108.52

73060AT

Straight Plug Valve - T CTS

Size	Carton PCS/WT	Price
3/4"	10/30	\$ 91.55
1" x 3/4"	10/20	\$ 108.52

73060A-33

Straight Plug Valve -33 PEP-7

Size	Carton PCS/WT	Price
3/4"	10/21	\$ 110.67

73060ADP

Straight Plug Valve - Dual Purpose

Size	Carton PCS/WT	Price
3/4"	10/21	\$ 89.05

STRAIGHT OUTLET CONNECTIONS

74754AB

Straight Connection
FNPT for Ball Valve Box

Size	Carton PCS/WT	Price
3/4"	10/7	\$ 29.96

74754AP

Straight Connection
FNPT for Plug Valve Box

Size	Carton PCS/WT	Price
3/4"	10/6	\$ 29.96

76100A

Straight Ball Valve - Flare

Size	Carton PCS/WT	Price
3/4" x 5/8" x 3/4"	10/15	\$ 128.77

76100A-22

Straight Ball Valve -22 CTS

Size	Carton PCS/WT	Price
3/4" x 5/8" x 3/4"	10/16	\$ 130.91

76100AQ

Straight Ball Valve - Q CTS

Size	Carton PCS/WT	Price
3/4" x 5/8" x 3/4"	10/15	\$ 130.91

76100AT

Straight Ball Valve - T CTS

Size	Carton PCS/WT	Price
3/4" x 5/8" x 3/4"	10/15	\$ 130.91

76101ADP

Straight Ball Valve - Double Purp

Size	Carton PCS/WT	Price
3/4" x 5/8" x 3/4"	10/86	\$ 131.66

76101A

Straight Ball Valve - FNPT

Size	Carton PCS/WT	Price
3/4" x 5/8" x 3/4"	10/10	\$ 114.12

ANGLE VALVES

74601A

Angle Valve - Flare

Size	Carton PCS/WT	Price
3/4"	10/16	\$ 73.22

74601A-22

Angle Valve -22 CTS

Size	Carton PCS/WT	Price
3/4"	10/13	\$ 75.59
1" x 3/4"	10/15	\$ 88.79

74601AQ

Angle Valve - Q CTS

Size	Carton PCS/WT	Price
3/4"	10/15	\$ 75.59
1" x 3/4"	10/19	\$ 88.79

74601AT

Angle Valve - T CTS

Size	Carton PCS/WT	Price
3/4"	10/16	\$ 75.59
1" x 3/4"	10/19	\$ 88.79

74601A-33

Angle Valve -33 PEP-7

Size	Carton PCS/WT	Price
3/4"	10/16	\$ 88.79

74641BA

Angle Ball Valve - Flare

Size	Carton PCS/WT	Price
3/4" x 5/8" x 3/4"	10/19	\$ 145.83

74641BA-22

Angle Ball Valve -22 CTS

Size	Carton PCS/WT	Price
3/4" x 5/8" x 3/4"	10/18	\$ 148.20
1" x 5/8" x 3/4"	10/20	\$ 172.00

74641BAQ

Angle Ball Valve - Q CTS

Size	Carton PCS/WT	Price
3/4" x 5/8" x 3/4"	10/16	\$ 148.20
1" x 5/8" x 3/4"	10/21	\$ 172.00

74641BAT

Angle Ball Valve - T CTS

Size	Carton PCS/WT	Price
3/4" x 5/8" x 3/4"	10/17	\$ 148.20
1" x 5/8" x 3/4"	10/20	\$ 172.00

74641BA-33

Angle Ball Valve -33 PEP-7

Size	Carton PCS/WT	Price
3/4" x 5/8" x 3/4"	10/15	\$ 158.89

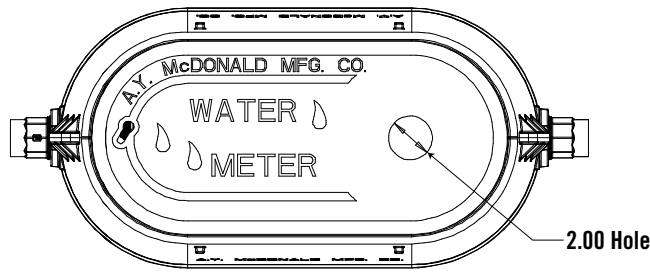
Complete Long Box Package for 1" Meter - 776 Series

1" METER

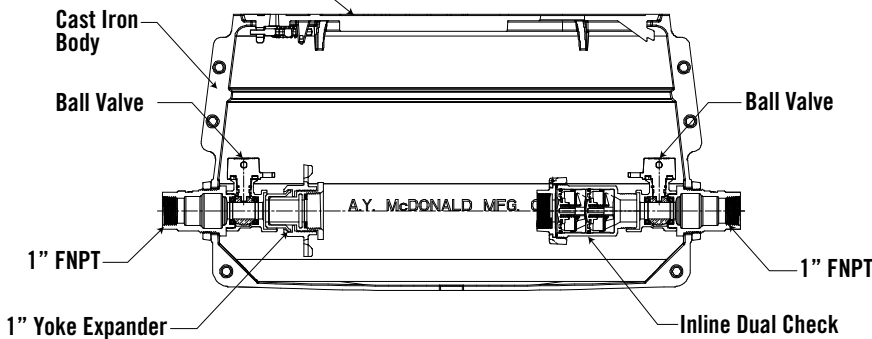
Need a complete and compact 1" meter setting package for a moderate to warm climate? A.Y. McDonald has the right yoke and longbox assembly to meet your needs.

Features

- Cast Iron base and lid
- Made from durable cast iron meeting ASTM A126 Class B (25,000 PSI tensile strength)
- Locking lids are provided as standard
- Includes a hole in base of drainage
- Provides automatic spacing and alignment for the meter
- Meter can be inserted at any time during or after the installation of the meter box
- The inlet, outlet, dual check and expansion connection are made of waterworks brass meeting the latest revision of AWWA Standard C800
- Removable dual cartridge check valve which meets ASSE 1024 requirements
- Female National Pipe Threaded connections are supplied as standard
- Male Iron Pipe Thread straight, 45° and 90° connections available
- Straight ball type inlet and outlet valves



Locking Cast Iron Lid



Complete Long Box Package for 1" Meter - 776 Series

1" METER

776-409BBGG 442

Complete Long Box Package for 1" Meter which includes a locking lid Integral 1" Female National Pipe Thread (FNPT) Connections on Standard Port Ball Valves In and Out, ASSE Dual Cartridge Check Valve – Female Meter Thread Union X Male Meter Thread Integral, and Expander

776-4SABBBG 44

Brass Component Package for 1" Long Box which includes Standard Port Ball Valves with Integral 1" Female National Pipe Thread (FNPT) Connections, ASSE Approved Dual Cartridge Check Valve – Female Meter Thread Union X Male Meter Thread Integral, and Expander

Model	Description	Carton PCS/WT	Price
776-409BBGG 442	1" FNPT Standard Ball Valve x 1" FNPT Standard Ball Valve	1/85	\$ 785.67
776-4SABBBG 44	Hardware 1" FNPT Stand Ball Valve x 1" FNPT Standard Ball Valve	1/11	\$ 545.48
776-4SA	Expander and Dual Check Package - 1" Meter - NL	1/4	\$ 275.08

776-409BBQQ 442

Complete Long Box Package for 1" Meter which includes a locking lid, Integral 1" Copper Tube Size Compression Connections (Q Series) on Standard Port Ball Valves In and Out, ASSE Dual Cartridge Check Valve – Female Meter Thread Union X Male Meter Thread Integral, and Expander

776-4SABBQQ 44

Brass Component Package for 1" Long Box which includes Standard Port Ball Valves with Integral 1" Copper Tube Size Compression Connections (Q Series), ASSE Approved Dual Cartridge Check Valve – Female Meter Thread Union X Male Meter Thread Integral, and Expander

Model	Description	Carton PCS/WT	Price
776-409BBQQ 442	1" CTS Standard Ball Valve x 1" CTS Standard Ball Valve	1/86	\$ 831.18
776-4SABBQQ 44	Hardware 1" CTS Stand Ball Valve x 1" CTS Standard Ball Valve	1/11	\$ 602.34
776-4SA	Expander and Dual Check Package - 1" Meter - NL	1/4	\$ 275.08

776-409BBVG 442 & 776-4SABBBG 44

Model	Description	Carton PCS/WT	Price
776-409BBVG 442	1" CTS Standard Ball Valve x 1" FNPT Standard Ball Valve	1/86	\$ 808.40
776-4SABBBG 44	Hardware 1" CTS Stand Ball Valve x 1" FNPT Standard Ball Valve	1/11	\$ 573.91
776-4SA	Expander and Dual Check Package - 1" Meter - NL	1/4	\$ 275.08

776-409JJQQ 442 & 776-4SAJJQQ 44

Model	Description	Carton PCS/WT	Price
776-409JJQQ 442	1" CTS Full Port Ball Valve x 1" CTS Full Port Ball Valve	1/86	\$ 879.48
776-4SAJJGG 44	Hardware 1" CTS Full Port Ball Valve x 1" CTS Full Port Ball Valve	1/12	\$ 650.64
776-4SA	Expander and Dual Check Package - 1" Meter - NL	1/4	\$ 275.08

76101A 1 X 3/4 X 1

Standard Port Ball valve for 1" Long Box Female National Pipe Thread by Cradle

Size	Carton PCS/WT	Price
1" x 3/4" x 1"	10/3	\$ 135.13

76100AYBQ 1 X 3/4 X 1

Standard Port Ball valve for 1" Long Box Copper Tube Size Compression Connections (Q Series) by Cradle

Size	Carton PCS/WT	Price
1" x 3/4" x 1"		\$ 163.54

714-4EHG

Yoke Expander for 1" Meter

Size	Carton PCS/WT	Price
1"	18/2	\$ 55.06

711-4NA 55

ASSE Approved Dual Cartridge Check Valve Female Meter Thread Union x Male Meter Thread Integral

Size	Carton PCS/WT	Price
	1/3	\$ 219.87

777 Series

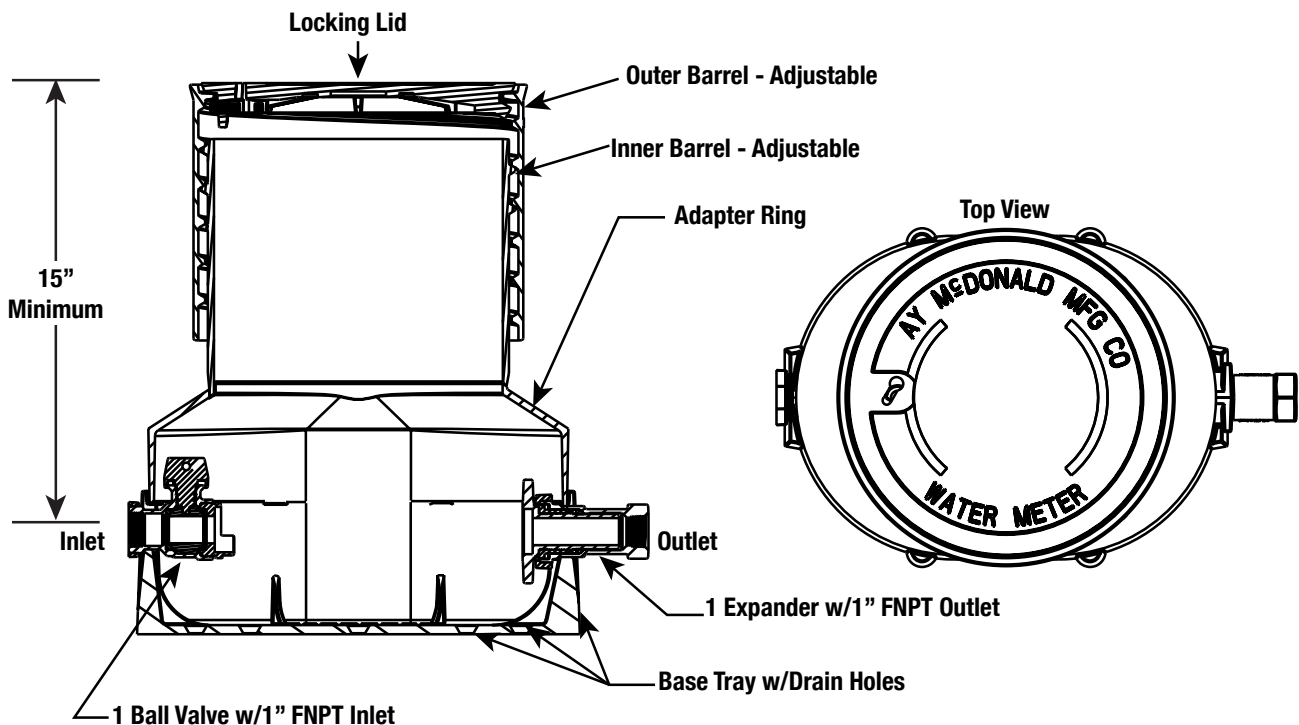
5/8", 5/8" X 3/4", 3/4" OR 1" METER

A.Y. McDonald Mfg. 777-Series meter box offers versatility in design and adaptability in service line connections. Adjustable to unexpected grade changes and service line specifications. The 777 Series provides a protective cast iron housing for water meters to one inch size and service line depths of 11 – 20". Options are available including integral Compression on 5/8" and 5/8" x 3/4" sizes, connection adapters, non-locking lids, lids for radio and touch read technology, and stationary non-adjustable top sections.

Drainage Holes in Base Casting. Cast iron base, upper section, and lid are black dip coated to prevent rust.

A standard fully assembled "CR" Meter Box package includes:

- Cast Iron Housing Construction
- Adjustable Top Section
- 300 PSI rated Ball Style Inlet Valve
- Female Pipe Thread Connections
- Integral Expansion Connection to the Meter
- Cast Iron Locking



1" 777 SERIES "CR" BOX SHOWN

777 Series

5/8", 5/8" X 3/4", 3/4" OR 1" METER

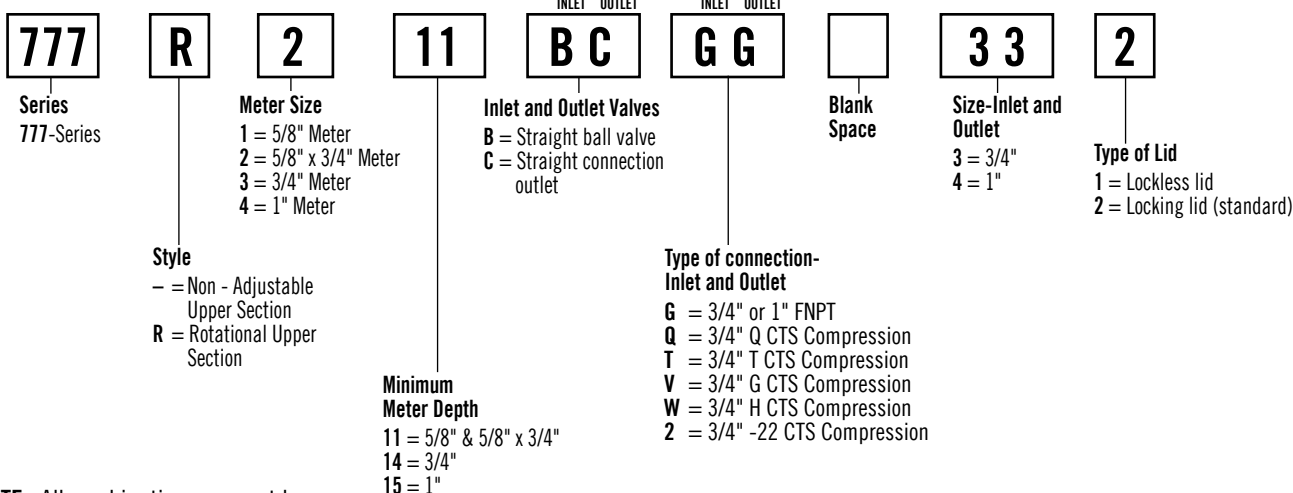


5/8" & 5/8" x 3/4" Meter

3/4" Meter

1" Meter

To order Long Boxes - Model No. **77R211BCCG 332** means:



NOTE: All combinations may not be available with all models. Contact factory for further information.

Straight Ball Valve Inlet x Straight Connection Outlet (BC)

Model	Inlet Connection	Outlet Connection	Carton PCS/WT	Price
777R111BCGG 332	3/4" FNPT	3/4" FNPT	1/76	\$ 608.60
777R211BCGG 332	3/4" FNPT	3/4" FNPT	1/77	\$ 615.63
777R314BCGG 332	3/4" FNPT	3/4" FNPT	1/30	\$ 750.48
777R415BCGG 442	1" FNPT	1" FNPT	1/105	\$ 883.59

Lids Only

75L41

Lockless Lid ONLY

Carton PCS/WT	Price
5/28	\$ 38.13

75L42

Locking Lid ONLY

Carton PCS/WT	Price
5/28	\$ 38.13

75L43

Locking Lid ONLY with hole

Carton PCS/WT	Price
5/28	\$ 41.74

75L45

Lockless Lid ONLY with hole

Carton PCS/WT	Price
5/28	\$ 41.74

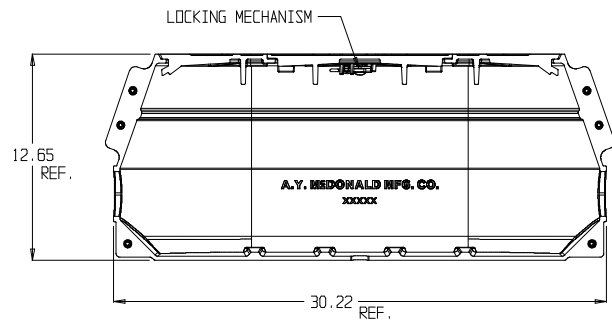
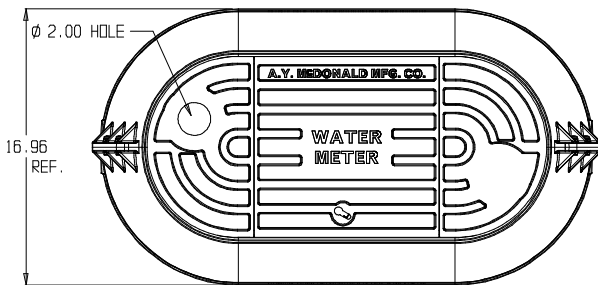
Pro Meter Box 79 & 779 Series

5/8", 5/8" X 3/4", 3/4" OR 1" METER

Cast Iron enclosure for safety and security of 1 1/2" & 2" oval flanged water meters.

Features

- Cast Iron construction
- For bury depth of approximately 13"
- Comes standard with locking lid and no hole.
- Lid available with 2" hole for touch/radio read.
- Lid available with 2" hole for touch/radio read and plug for hole
- 8" Riser / extension available
- Service line in/out are approximately 4" from bottom
- Used to set 1 1/2" and 2" oval flanged meters
- Cast iron components conforms to ASTM A126 Class B or ASTM A159 Grade 2500 (latest revision) and coated with black dip
- Brass components sold separately
- Locks with standard meter box key



79-EXT

Pro Meter Box 8" Extension

Size	Carton PCS/WT	Price
8"	1/1	\$ 262.71

75KEY

Yoke and Longbox Key

Size	Carton PCS/WT	Price
	1/1	\$ 16.25

Pro Meter Box 79 & 779 Series

5/8", 5/8" X 3/4", 3/4" OR 1" METER

Pro Meter Box with Lid

79-PBOX--002

Pro Meter Box with Lid
1 1/2" & 2" No Hole

Carton PCS/WT	Price
	\$ 861.19

79-PBOX--003

Pro Meter Box with Lid
1 1/2" & 2" with Hole

Carton PCS/WT	Price
	\$ 865.36

79-PBOX--004

Pro Meter Box with Lid
1 1/2" & 2" with Hole & Plug

Carton PCS/WT	Price
	\$ 872.38

Lids Only

79-PBOX--L2C

Pro Meter Box Center Lid with Lock

Carton PCS/WT	Price
	\$ 86.01

79-PBOX--LE

Pro Meter Box End Lid - No Hole

Carton PCS/WT	Price
	\$ 35.14

79-PBOX--LET

Pro Meter Box End Lid - with Hole

Carton PCS/WT	Price
	\$ 39.71

79-PBOX--LETP

Pro Meter Box End Lid - Hole & Plug

Carton PCS/WT	Price
	\$ 46.73

Kits

Two Ball Valve Kit

Model	Size	Carton PCS/WT	Price
779-PBOX--6WW	1 1/2"		\$ 715.76
779-PBOX--7WW	2"		\$ 1,010.65

Ball Valve x Dual Check Kit

Model	Size	Carton PCS/WT	Price
779-PBOX--6WD	1 1/2"		\$ 862.22
779-PBOX--7WD	2"		\$ 1,009.67

Ball Valve x Single Check Kit

Model	Size	Carton PCS/WT	Price
779-PBOX--6WC	1 1/2"		\$ 758.05
779-PBOX--7WC	2"		\$ 905.50

Ball Valve x Oval Flange Kit

Model	Size	Carton PCS/WT	Price
779-PBOX--6WX	1 1/2"		\$ 507.04
779-PBOX--7WX	2"		\$ 654.48

Accessories

HAND WHEEL STYLE



Expander with Hard Gaskets

Model	Meter Size	Price
714-1EHG	5/8"	\$ 28.92
714-2EHG	5/8" x 3/4" or 3/4"	\$ 32.78
714-4EHG	1"	\$ 55.06

Includes 2 star nut meter gaskets

Expander with Soft Gaskets

Model	Meter Size	Price
714-1ESG	5/8"	\$ 28.92
714-2ESG	5/8" x 3/4" or 3/4"	\$ 32.78
714-4ESG	1"	\$ 55.06

Includes 2 star nut meter gaskets

WRENCH STYLE



Expander with Hard Gaskets

Model	Meter Size	Price
714-1WEHG	5/8"	\$ 28.92
714-2WEHG	5/8" x 3/4" or 3/4"	\$ 32.78
714-4WEHG	1"	\$ 55.06

Includes 2 star nut meter gaskets



75Key
Works on both
Yoke and Long Boxes

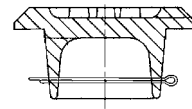
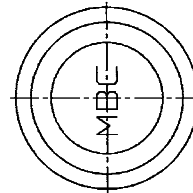
75KEY
Locking Lid Key

Size	Carton PCS/WT	Price
10/6		\$ 14.91



75LP
Lockplate

Size	Carton PCS/WT	Price
10/1		\$ 7.82



74MCIPL -
Cast iron plug
with cotter pin



74MCIPL
Cast Iron Plug w/Cotter Pin

Size	Carton PCS/WT	Price
1 3/4"	1/1	\$ 7.00

Adapter

For conversion of 5/8" Meter to
5/8" x 3/4" Meter



Model No.	Size	Carton PCS/WT	Price
10J12	5/8" to 5/8" x 3/4"	25/1	\$ 5.47

Cradle Gasket

Yoke Gasket

Model No.	Size	Carton PCS/WT	Price
75-1G	5/8"	25/1	\$ 0.39
75-2G	5/8" x 3/4" or 3/4"	25/1	\$ 0.43
75-4G	1"	10/1	\$ 0.51

74MPPL

Plastic Plug and Nut



Size	Carton PCS/WT	Price
2"	10/3	\$ 19.03

75-ERT

ERT Mounting Cartridge for Plastic Lids



Model No.	Carton PCS/WT	Price
75-ERT	20/2	\$ 3.75



MORE THAN A BRAND. WE'RE A FAMILY.

A.Y. McDonald Mfg. Co. is a leading manufacturer of Waterworks Brass, Plumbing Valves, Pumps and Water Systems, and High Pressure Gas Valves and Meter Bars. The Company has distinguished itself with a proud tradition of quality and reliability since its founding in 1856.

The mission of A.Y. McDonald Mfg. Co., in the words of our founder, is "to make good products and sell them honestly." We, the stockholders and employees, accomplish this by extending the McDonald family culture through excellent customer service and by focusing on our customers' needs.



1-800-AY-CARES | aymcdonald.com

Orders, Questions, Quote Requests:
Fax Customer Service - 800.832.9296
E-Mail: sales@aymcdonald.com

! WARNING: It is unlawful in CALIFORNIA & VERMONT (effective 1/1/2010); MARYLAND (effective 1/1/2012); LOUISIANA (effective 1/1/2013) and the UNITED STATES OF AMERICA (effective 1/4/2014) to use any product in the installation or repair of any public water system or any plumbing in a facility or system that provides water for human consumption if the wetted surface area of the product has a weighted average lead content greater than 0.25%. This prohibition does not extend to service saddles used in California, Louisiana or under USA Public Law 111-380. **!** WARNING: This product can expose you to chemicals including lead, which is known to the State of CALIFORNIA to cause cancer and birth defects or other reproductive harm. For more information go to: www.P65Warnings.ca.gov.