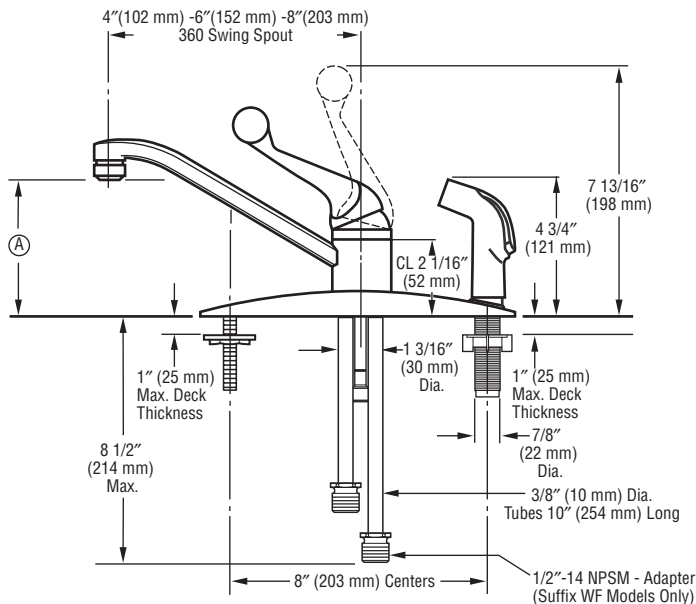


300LF-WF



Submitted Model No.:

Specific Features:



Dimension (A)

- 1 7/8" (48 mm) - 4" (102 mm) Spout (RP5881)
- 3 1/2" (89 mm) - 6" (152 mm) Spout (RP 9633)
- 5" (127 mm) - 8" (203 mm) Spout (Standard)



see what Delta can doSM

KITCHEN FAUCETS

- Classic Series
- Single Handle Deck Mount

STANDARD SPECIFICATIONS:

- Maximum 1.8 gpm @ 60 psi, 6.8 L/min @ 414 kPa
- Three hole mount
- Spout rotates 360°
- Control handle shall return to neutral position when faucet is turned off
- Control mechanism shall be of the rotating stainless steel ball type with replaceable non-metallic seats operating in stainless steel lined sockets
- Anti-Siphon device as integral part of valve body
- Vegetable sprayer hose with chrome sprayhead installation
- Models supplied with 1/2"-14 NPSM adapters

WARRANTY

- Lifetime limited warranty on parts (other than electronic parts and batteries) and finishes: or, for commercial users, for 5 years from date of purchase.
- 5 year limited warranty on electronic parts (other than batteries); or, for commercial users, for 1 year from the date of purchase. No warranty is provided on batteries.

COMPLIES WITH:

- ASME A112.18.1 / CSA B125.1
- Indicates compliance to ICC/ANSI A117.1
- Verified compliant with .25% weighted average Pb content regulations.