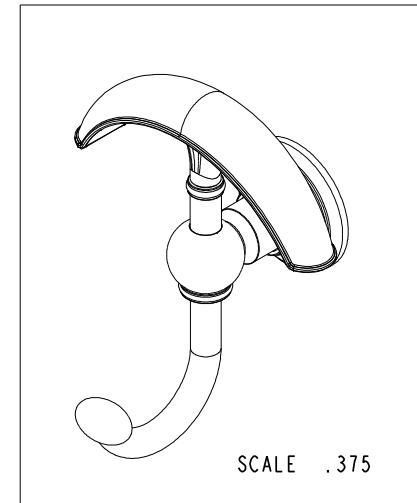
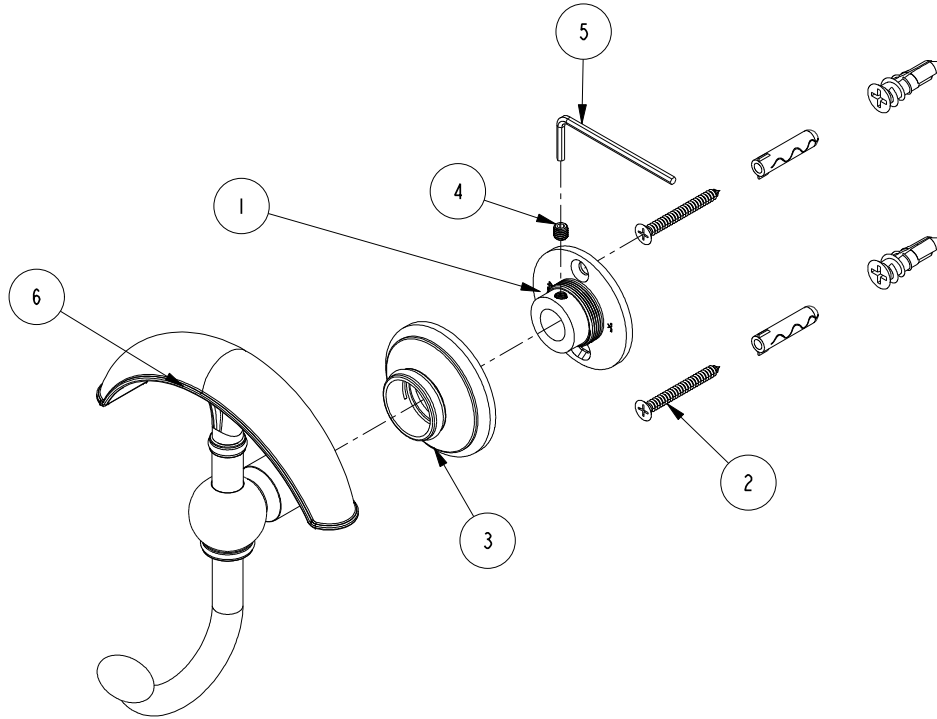


NOTES:

(N1) 1. FIT / FORM / FUNCTION SHALL FOLLOW PS-E.008.

BILL OF MATERIAL (CURRENT LEVEL)

ITEM	PT/ASSY	DESCRIPTION	TYPE	QTY.
1	45XX	MOUNTING FLANGE	PART	1
2	1-206	HARDWARE PACK	ASSEMBLY	1
3	40460	ROSETTE	PART	1
4	92308	SCRW, M5 X 5 SKT HD CUP PT W/ SELF LOC SS	PART	1
5	10888	HEX KEY, 2.5MM ALLOY STEEL	PART	1
6	7-705	DOUBLE ROBE HOOK - POST ASM	ASSEMBLY	1



ZONE	REV	DESCRIPTION	DATE	APPROVED	TESTING	ASSEMBLY	PLATING	POLISHING	MACHINING	TOOLING FIXTURE #	APPLICATION
-	A	EN-4032	12/04/19	R.S.	-	-	-	-	-	-	-
-	-	EN-1916	12/09/11	R.S.	-	-	-	-	-	-	-
											REMOVE ALL BURRS AND SHARP EDGES

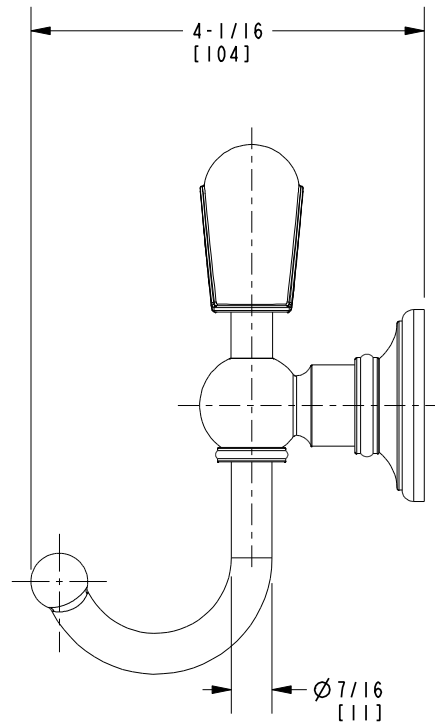
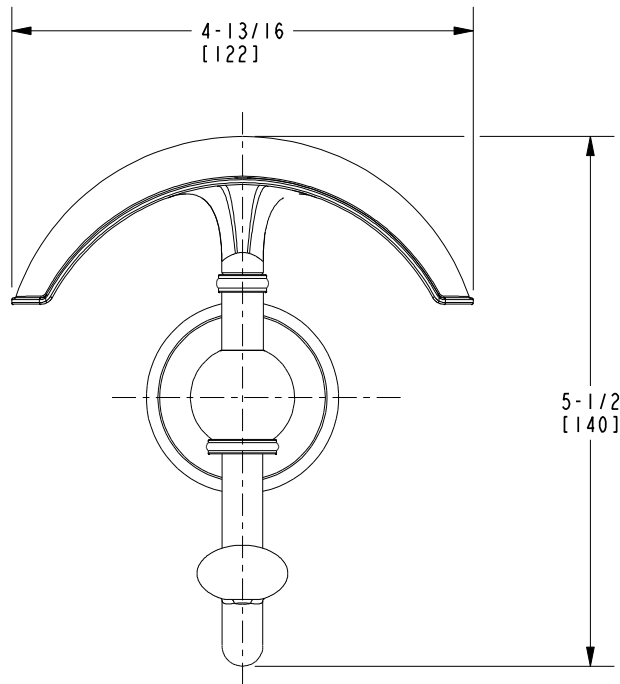
COPYRIGHT 2005 BRASSTECH, INC. THESE DRAWINGS AND THE DESIGNS DEPICTED HEREIN ARE THE PROPRIETARY PROPERTY OF BRASSTECH. ANY USE OR REPRODUCTION IS SUBJECT TO THE EXPRESS APPROVAL OF BRASSTECH. UNAUTHORIZED USE IS STRICTLY PROHIBITED. ALL RIGHTS RESERVED.

UNITS ARE: INCHES [MM]		
TOLERANCES ARE:		
FRACTIONS	DECIMALS	ANGLES
±1/16"	.X ±.1 [2.5]	±1°
	.XX ±.06 [1.5]	
(X.XXX) DENOTES CRITICAL DIMS. ALL THREADS ARE CRITICAL		
DRAWN	R.R.	12/09/11
CHECKED	R.S.	12/09/11
APPROVED	R.S.	12/09/11

BRASSTECH 2001 CARNEGIE AVE. SANTA ANA, CA 92705 (949) 417-5207
INCORPORATED

DOUBLE ROBE HOOK

DWG NO.	38-12	REV	A
SCALE	.375	REF.	-
SHEET	1	OF	2



BRASSTECH		2001 E. CARNEGIE AVE. SANTA ANA, CA 92705 (949) 417-5207	
DWG NO.	38-12	REV	A
SCALE	.500	REF.	-
		SHEET	2 OF 2