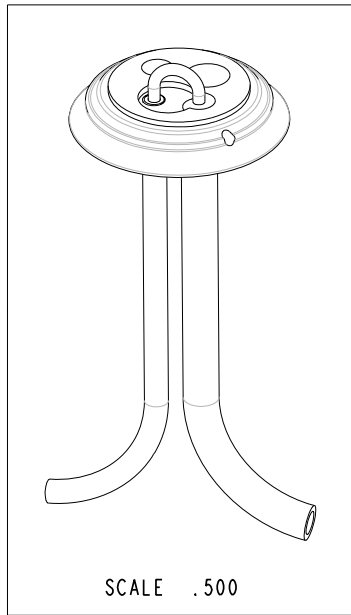
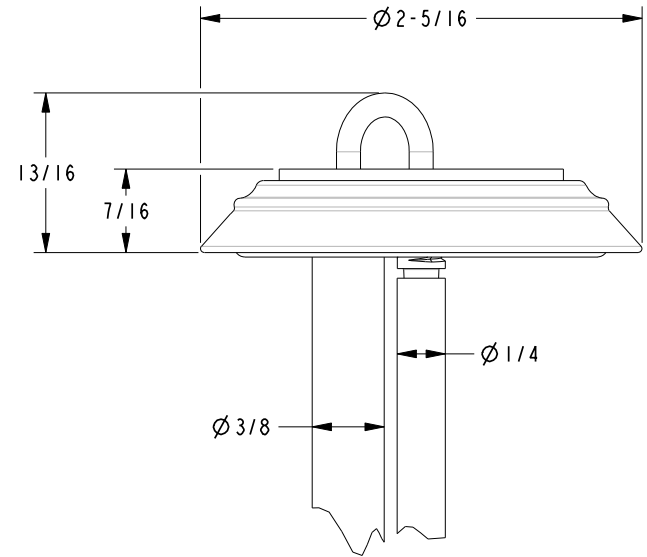
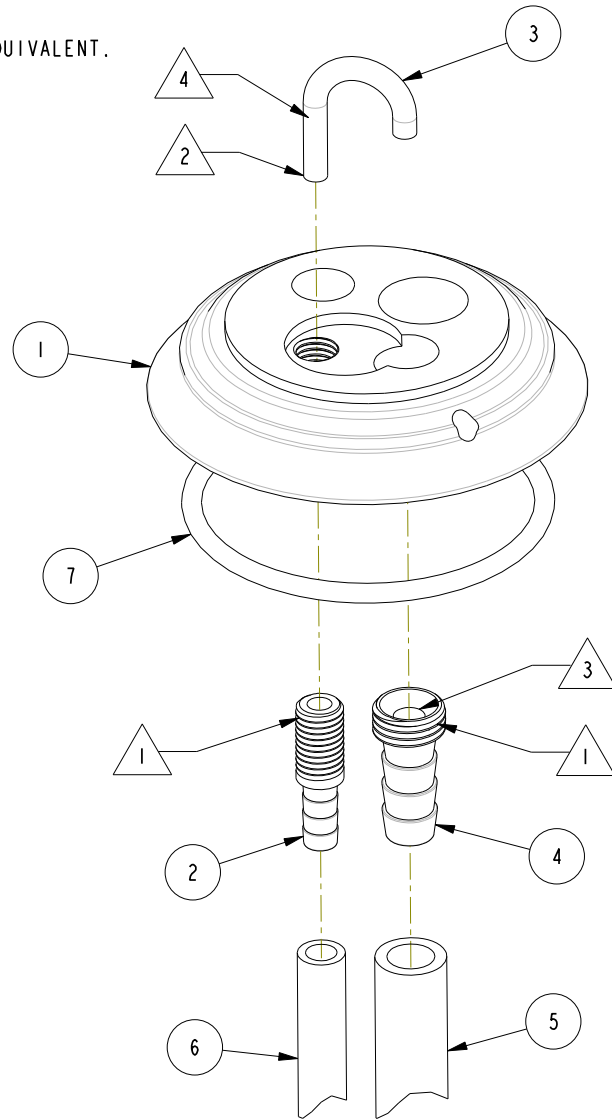


BILL OF MATERIAL (CURRENT LEVEL)

| ITEM | PT/ASSY | DESCRIPTION | TYPE | QTY. |
|------|---------|---------------------------|------|------|
| 1 | 12089 | ESCUTCHEON, AIR GAP | PART | 1 |
| 2 | 50772 | 1/4" BARBED TUBE FITTING | PART | 1 |
| 3 | 50774 | AIR GAP TUBE | PART | 1 |
| 4 | 50789 | 3/8" BARBED TUBE FITTING | PART | 1 |
| 5 | 91380 | TUBE, BLACK 3/8 OD X 4 FT | PART | 1 |
| 6 | 91381 | TUBE, BLACK 1/4 OD X 4 FT | PART | 1 |
| 7 | 91394 | O-RING #2-132 | PART | 1 |

NOTE:

- 1 APPLY ADHESIVE LOCTITE 680.
- 2 APPLY 3M SCOTCH-WELD DP-100NS OR EQUIVALENT.
- 3 REMOVE METAL BURRS.
- 4 SCORE SURFACE.



COPYRIGHT 2005 BRASSTECH, INC. THESE DRAWINGS AND THE DESIGNS DEPICTED HEREIN ARE THE PROPRIETARY PROPERTY OF BRASSTECH. ANY USE OR REPRODUCTION IS SUBJECT TO THE EXPRESS APPROVAL OF BRASSTECH. UNAUTHORIZED USE IS STRICTLY PROHIBITED. ALL RIGHTS RESERVED.

BRASSTECH
INCORPORATED
2001 CARNEGIE AVE.
SANTA ANA, CA 92705
(949) 417-5207

AIR GAP ASSEMBLY, JACOBEOAN

| | | | | |
|------------------------|--------|--------------|-----|----------|
| ASSY. NO. 6-290 | | - | - | - |
| SCALE 1.000 | REF. - | SHEET 1 OF 1 | REV | REV DESC |
| | | | | DATE |