

60 x 36

Plus Series

*photo representational



Shown with optional removable panel apron:

PROFLO®

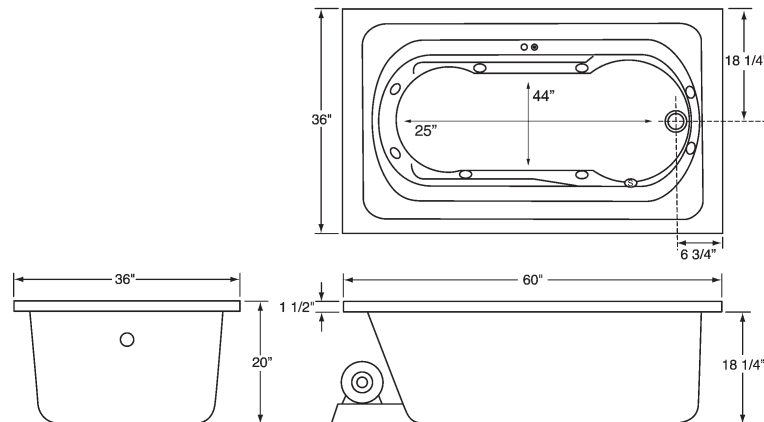
PRODUCT FEATURES

- Durable Easy-Care Acrylic Construction
- Eight Fully Adjustable Color Matched Hydro Jets
- Powerful 1 1/4 Horsepower Pump/Motor
- Pre-Leveled Base
- Molded-in Armrests
- Two Adjustable Air Controls for Whirlpool Action
- Textured Slip Resistant Bottom
- Air Activated On/Off Switch

PRODUCT SPECIFICATIONS

- 60" Length Overall
- 36" Width Overall
- 19 7/8" Depth Overall
- 45 Gallon Operating Capacity
- 60 Gallon Total Capacity To Overflow
- Electrical service requirements: Motor 120 V., 10.5 A., 50/60 Hz., Single Phase, Class B Insulation
- Ground fault circuit protection must be provided by installer
- Prewired for simple plug-in installation
- Height requirement includes pre-leveled base
- Whirlpool utilizes high pressure air and waterway tubing
- Solvent welded and pressure tested joints
- Each unit is leveled and performance tested before leaving factory

- Color Palette**
- White - WH
 - Almond - AL
 - Biscuit - BS



NOTE: All dimensions and specifications are nominal and may vary $\pm \frac{1}{4}$ ". Use actual products for accuracy in critical situations.

MODEL NUMBERS

PFW6036PLUS	60X36 Acrylic Whirlpool
PFS6036	60X36 Acrylic Bath
PFTLK	Tile Flange Kit
PFSK60RP	5' Removable Panel Apron
PFSK60	5' Removable Apron

WARRANTY AND CODES

This product features a 5 year limited warranty and meets or exceeds the following standards: Whirlpools - IAPMO PS32-84, UL listing 27E7, ANSI Z124.1-95, ASME A112.19.8M-87R(96) and ASME A112.19.7M-95. Baths - ANSI Z124.1-95. In an effort to continually improve our products, design changes may periodically be made. Ferguson reserves the right to provide newly designed material to fill any order unless otherwise agreed to in writing.

