

SFA

227

07.13
IND1



IMPORTANT

**DO NOT RETURN ANY MERCHANDISE TO THE VENDOR
NE PAS RETOURNER DE MARCHANDISE AU VENDEUR**

For Customer Service, Returns or Technical Questions, please call Saniflo's technical support toll-free at 800-571-8191 (USA) or 800-363-5874 (CDN).

Pour le service client, les retours ou toute question technique, merci d'appeler le service technique de Saniflo au numéro suivant : 800-571-8191 (USA) ou 800-877-8538 (CDN).

The user should retain these instructions for future reference • A lire attentivement et à conserver à titre d'information

This product must be installed in strict accordance with local plumbing codes.

Product should be installed by a licensed plumber.

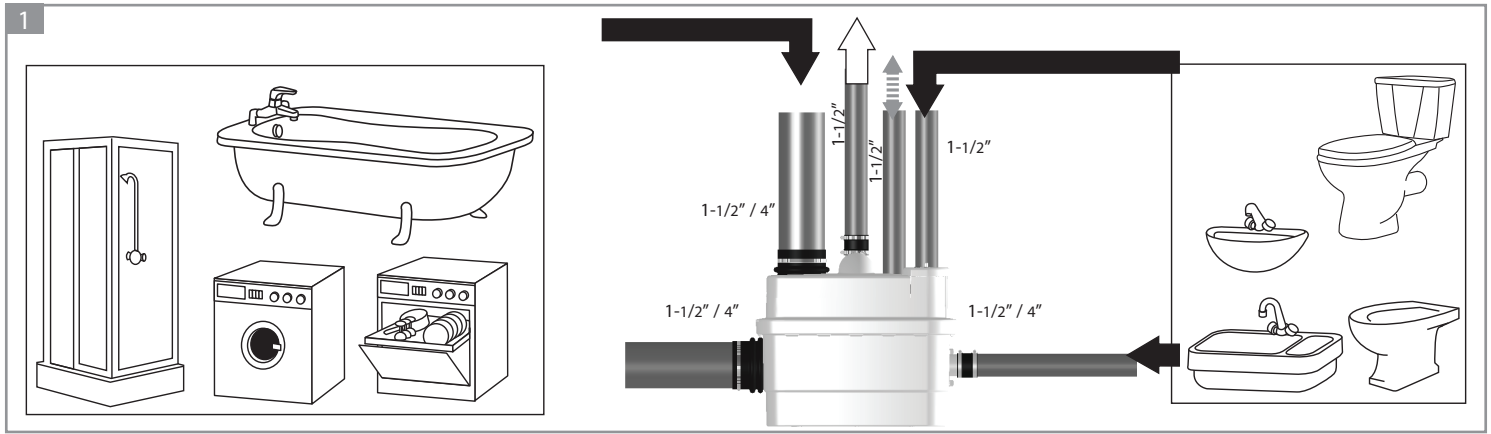
Le produit doit être installé dans le respect des règlements sanitaires locaux.

Le produit doit être installé par un plombier qualifié.

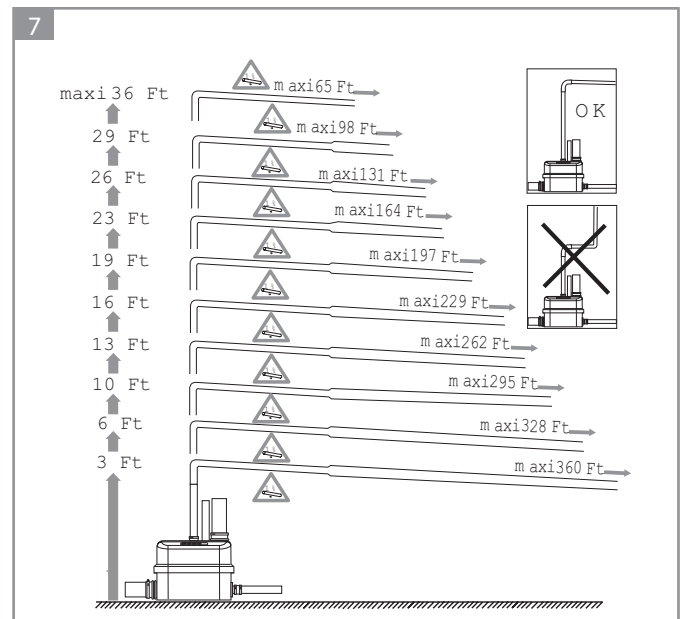
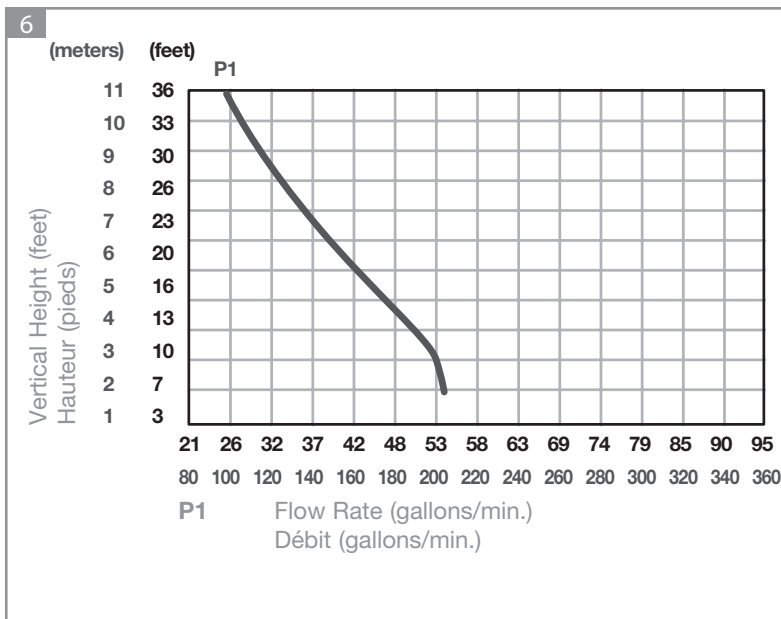
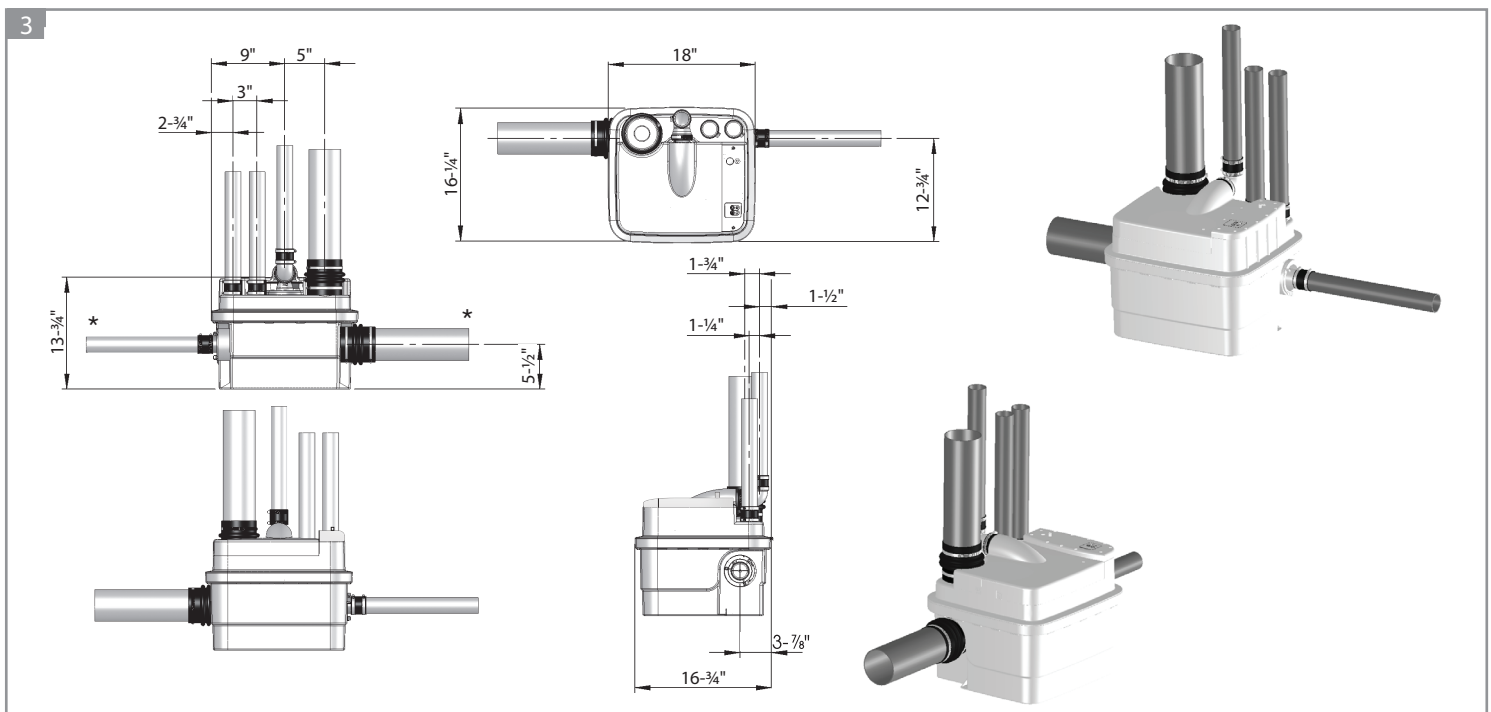


**INSTALLATION AND MAINTENANCE INSTRUCTIONS
INSTRUCTIONS D'INSTALLATION ET D'ENTRETIEN**

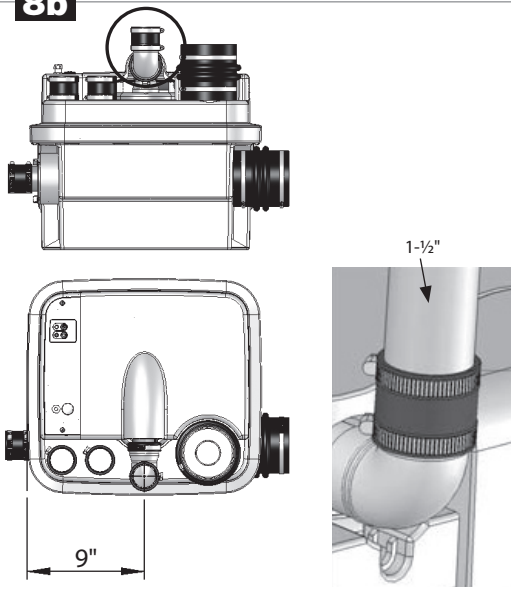
SANICUBIC® 1



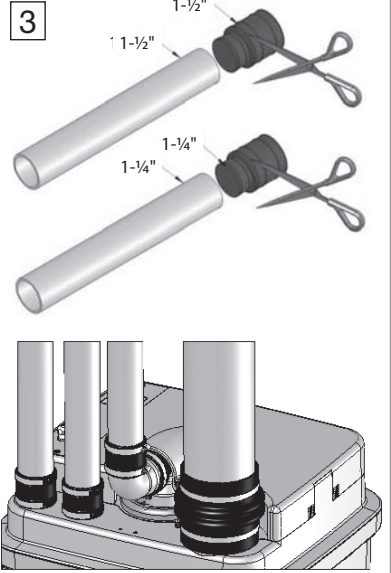
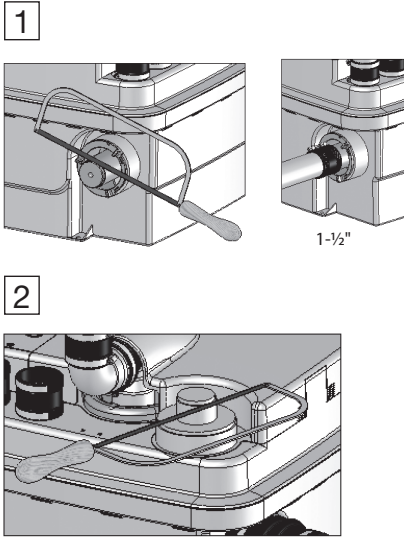
- 2**
- | | | | | | | | | | | | |
|--------------|--------------|--------------|--------------|--------------|--------------|--------------|--------------|--------------|--------------|--------------|--------------|
| A x 2 | B x 2 | C x 8 | D x 4 | E x 2 | F x 2 | G x 2 | J x 4 | K x 1 | N x 1 | O x 1 | P x 1 |
| | | | | | | | | | | | |
| | | 40/60 | | 32/50 | | | 100/120 | | 6 Ft | 10/16 | |



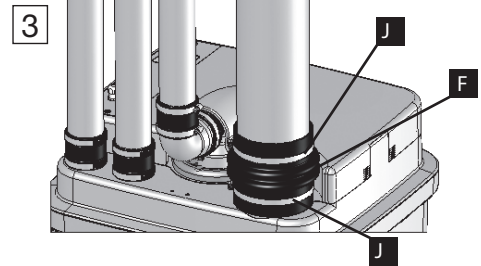
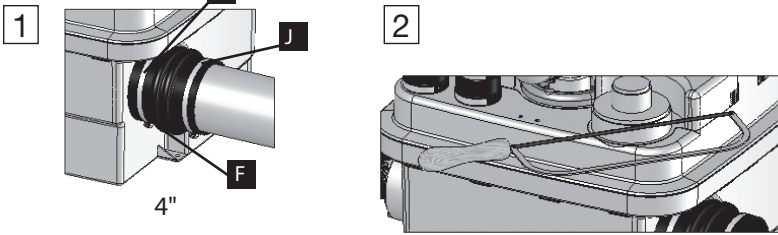
8b



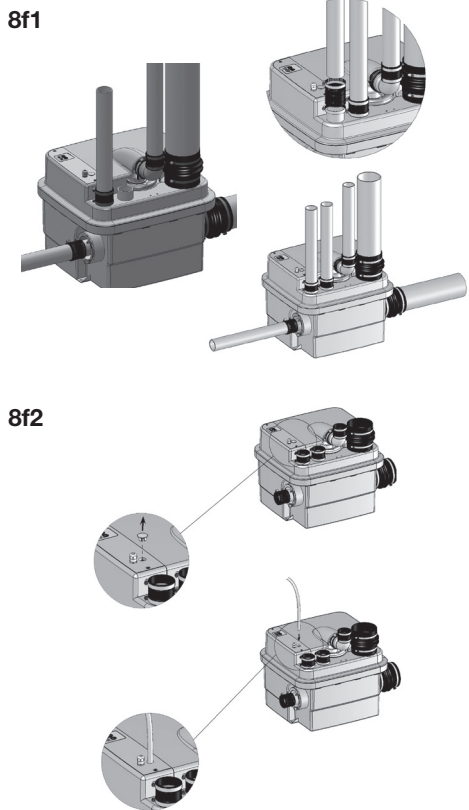
8d



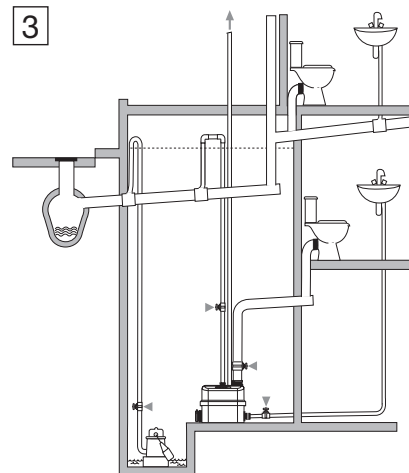
8e



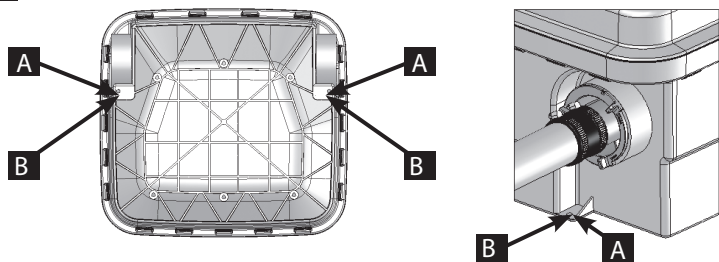
8f



8g




8h





1 DESCRIPTION

The **SANICUBIC® 1** is a lift station designed to evacuate effluent from residential and light commercial applications.

Please comply with all the installation and maintenance specifications set out in these instructions, and especially the information marked with the following signs:

«  » Failure to comply with this information could entail safety hazards for personnel,

«  » Information warning of the presence of an electrical hazard,

«  » Instructions only for qualified professional specialists,

«**WARNING**» Failure to comply with this information could affect the normal operation of the equipment.

Please contact our Customer service for further information.

SANICUBIC 1 OPERATING PRINCIPLE

SANICUBIC® 1 contains 1 pump equipped with a high performance grinding system.

The **SANICUBIC® 1** tank is fitted with 3 dip tubes; 2 tubes control the motor operation, and the other one controls the alarm system.

- **Long pickup tube** (normal operation): as soon as the waste water level in the tank reaches the triggering point in the long tube, the pumping system starts up.

- **Short pickup tube** (inflow overload operation): if the waste water level in the tank reaches the upper point, a contact is activated. This contact sets off a visual alarm on the control panel. If the external wired alarm is connected, this would give you an audible and visual alarm. (See section 9)

2 LIST OF PARTS SUPPLIED

3 DIMENSIONS

4 TECHNICAL DATA SANICUBIC® 1

Type	R350
Maximum discharge head	36 Ft
Voltage	120 V
Frequency	60 Hz
Volume	8.5 Gallons
Maximum power input	1 HP
Maximum current input	10 A
Electrical classification	I
Avg. water temp for optimum performance	104°F
Maximum temperature (intermittent)	158°F*
Protection index	IP67
Net weight (including accessories)	39 IBS

*Hot water drain cycles from dishwashers or washing machines

5 FIELDS OF APPLICATION

This system is meant for residential and light commercial applications.

6 PERFORMANCE CURVE

7 RATIO OF HEIGHT/LENGTH FOR DISCHARGE

8 INSTALLATION

The **SANICUBIC® 1** must be installed in compliance with local plumbing codes. The equipment must be commissioned and maintained by a qualified professional specialist.

8a REGULATIONS

1- Attention: the space in which the **SANICUBIC® 1** is to be installed must be large enough to leave at least 24" of working room around and above the unit to facilitate such maintenance work as may be required. There must be sufficient lighting, and it must be sufficiently well ventilated and protected from freezing.

2- **Isolating valves (not supplied) must be fitted on waste inlets (especially the 4" inlets) and on the discharge to ensure that any service/maintenance may be carried out safely.**

3- The discharge pipe must be fitted so as to avoid all back flow from the drainage system (see the examples in drawing 8a). Back flow can be avoided by installing an anti-back flow riser reaching a high point above the maximum back flow level.

Comment: In the absence of local information to the contrary, the maximum back flow level corresponds to street level (roadway, pavements, etc.). Continue the discharge pipework after the anti-backflow riser, using a larger diameter pipe.

4- If the **SANICUBIC® 1** is installed in a space such as a pit for example, we would recommend the fitting of a bilge pump in case of flooding.

5- The lifting station must be vented with an outlet at roof level.

6- The lifting station must be fixed to the floor (see 8b).

8b CONNECTING THE DISCHARGE PIPE


Remove the end cover or covers from the back of the unit.

As the motor is fitted with a grinding system, an 1-1/2" discharge pipe can be used.

The discharge bend is at the center of the unit, at the back (cf. 8a). Use a standard 1-1/2" coupling (not provided) to connect it to the riser pipe and secure in place with metal clamps.

The pump in the **SANICUBIC® 1** unit is equipped with a check valve.

8c CONNECTING SANITARY EQUIPMENT TO THE LOWER INLETS

 If you want to install a shower, bath or even a toilet at the same level of the Sanicubic 1, you must make sure that the outlets of each fixture are at least 10" above the base of the Sanicubic 1. (ie. If connecting a rear outlet toilet to the Sanicubic 1, the back spigot of the bowl (c) should be 10" above the base of the Sanicubic 1.)

8d CONNECTING THE 1-1/2" INLETS

Lower inlets (cf. 8d 1)

Upper inlets (cf. 8d 2)

- Cut off the end of the 1-1/2" inlet with a saw
- Cut the sleeve **D** to suit the pipe diameter: 1-1/4" or 1-1/2" (cf. 8d 3)
- Fix the sleeve **D** on the inlet and on the pipe, using the metal clamps.

8e CONNECTING THE 4" INLETS

Lower inlets (cf. 8e 1)

- 1- Remove the plug from the side inlet.
- 2- Fix the sleeve **F** in place using the metal clamp. **G**.
- 3- Fully insert the 4" tube in the other end of the sleeve and fix it in place using the other metal clamp. **H**.

Upper inlet (cf. 8e 2)

- 1- Cut off the upper end of the 4" inlet with a saw.
- 2- Fix the sleeve **F** in place using the metal clamp **G**.
- 3- Fully insert the 4" tube in the other end of the sleeve and fix it in place using the other metal clamp **H**.

8f CONNECTING THE VENT

1- VENT OF SANICUBIC® 1

The upper inlet must be used for the vent. The vent pipe must be fitted up to roof level.

Then fix the sleeve **D in place using the metal clamp **G**.**

Fully insert the 1-1/2" tube in the other end of the sleeve and fix it in place using the other metal clamp **H.**

WARNING: Note that the vent system should be a two-way air vent. The use of mechanical vents, air admittance valves or similar devices are not permitted as these are considered one-way air vent systems.

The vent must be an open vent or the unit will not operate.

2- VENTING THE ELECTRICAL SECTION

Connect the 8/11 clear PVC tubing **M supplied to the keyboard on the SANICUBIC® 1. The other end of this tubing must be located between 3 Ft and 6 Ft above the device to avoid water getting into the electrical part in the event of flooding.**

Important: Do not pinch the tubing.

8h SECURING THE SANICUBIC® 1 UNIT TO THE FLOOR

The **SANICUBIC 1** unit is equipped with fittings to hold it on the floor and prevent it from turning or moving.

- 1- Place the unit on the desired spot.
- 2- Locate the 2 holes for attachment to the floor.
- 3- Place the 2 anchors **A** on the floor.
- 4- Fix the unit in place with the screws.

8i CONNECTING TO ELECTRICAL SUPPLY

- 1- All wiring should be in accordance with the applicable electrical code in your region. The grinding system requires a single-phase 120-volt, 15 Amp. supply. When installed in a bathroom, the receptacle should be 40 inches away (in straight line) from a shower or bathtub. Connect only receptacle protected by a ground fault circuit interrupter (GFCI).

WARNING ! : Risk of electric shock - this pump is supplied with a grounding conductor and a grounding type attachment plug to reduce risk of electrical shock. be certain that it is connected only to a properly grounding - type receptacle.

9 REMOTE ALARM BOX

1/ General alarms:

High level alarm:

If the water level inside the pump is unusually high, the red LED alarm will light up. (Also see note for External wired alarm)

Time alarm:

If the motor runs for over 1 minute, the red alarm LED will light up.

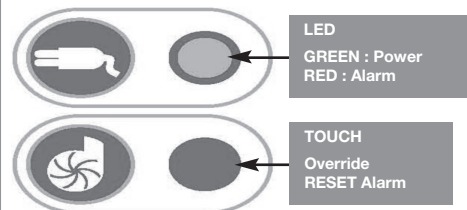
2/ Resetting the general alarms:

The control panel button can only switch off the red LED (it turns green) if the problem causing the alarm is resolved.

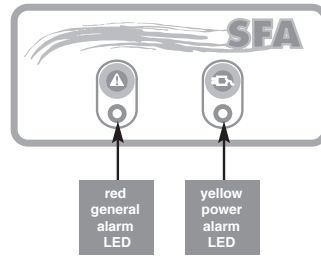
3/ Power alarm:

If the green LED on the control panel is flashing, it means that the electrical power has temporarily been cut off.

UNIT ALARM



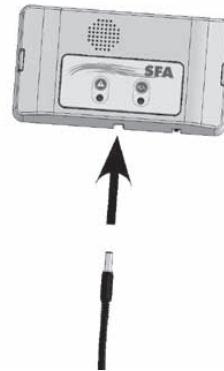
EXTERNAL WIRED ALARM REMOTE ALARM MODULE



The external alarm box of the **SANICUBIC® 1** does not require an independent power supply. It is powered via the circuit board of the **SANICUBIC® 1**. In the case of a power outage, a battery takes over.

CONNECTING THE ALARM BOX

Connect the alarm cable directly to the control panel. The cable can extend for 15 Ft for ease of installation.



- 1/ The red LED on the alarm box goes off (visual and audible) at the same time that the LED on the mounted control panel does.
- 2/ The yellow "power" LED shows the status of the power supply for the alarm box :
 - LED on: normal power
 - LED flashing: power supply is faulty.

10 CONFORMITY WITH STANDARDS

- **SANICUBIC® 1** is eligible to bear the CSA mark shown with adjacent indicators "C" and "US". The "C" and "US" indicators adjacent to the CSA mark signify that the product has been tested according to the applicable CSA (CAN) and ANSI/UL standards for use in Canada and the USA. This includes products eligible to bear the designation NRTL. NRTL (Nationally Recognized Testing Laboratory) is a designation awarded by the American Occupational Safety and Health Administration (OSHA) to laboratories authorized to award the certification according to American standards.

11 COMMISSIONING

- 1 - Once the plumbing and electrical connections have been made, check that the connections are watertight by letting water flow successively through each inlet used. Make sure that the unit is operating correctly by carrying out at least two start cycles with water to test the system.
- 2 - **WARNING! Do not operate the motor in override status (by pressing the pushbutton on the control box) until the pump have been filled with water. Operation without water damages the grinding system.**
- 3 - **This device is not designed for persons (including children) with limited physical, sensory or mental abilities, or those with minimal experience and knowledge, unless they are monitored and are given the necessary instructions for using the device, with the help of a person responsible for their safety. Monitor children and make sure they do not play with the device.**

12 USE

- 1- **The SANICUBIC® 1** unit is designed to drain off household waste water. Any other use will invalidate the guarantee. The unit is able to handle the accidental flushing of sanitary napkins such as condoms, hygiene articles, etc. The disposal of oils, solvents, acids or any other potentially corrosive or explosive liquids, etc, is not allowed.
- 2- **WARNING: In the event of a power failure, stop draining any water from the equipment connected to the SANICUBIC® 1 unit.**
- 3- Do not install or use the unit in a zone where there is risk of explosion.

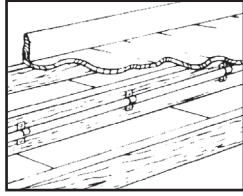
13 MAINTENANCE

A visual check of the lift station must be made once a month to make sure it is operating correctly, and the installation must be inspected regularly (once a year) by a qualified person. Meanwhile if encounter technical problems, please ask our after-sales service for advice. If the power supply cable of the unit is damaged, it must be replaced by the manufacturer or its after-sales service to avoid all danger.

6 ADVICE

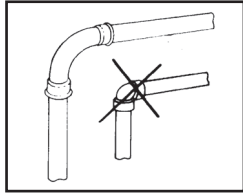
PIPE SUPPORTS

All sanitary pipe work must be supported, in accordance with the pipe manufacturer's recommendations. Avoid dipping or trapping, which may cause the build up of residual "solids" and subsequent blockage.



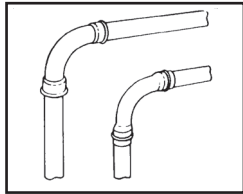
BENDS

Where possible long sweeping bends should be used. Do not use short elbows. If sweeping 90° elbows are not available use two 45° elbows to make a 90° turn.



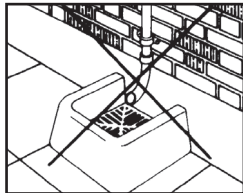
PIPE WORK

All pipe work should be either copper, PVC or CPVC (Do not use flexible pipes). Hangers should not be less than four feet apart to prevent pipe rattling.



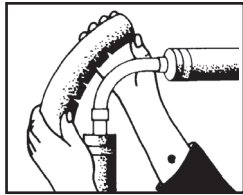
DISCHARGE

Never discharge directly into an open drain, fixture, manhole or rainwater drainpipe. It is illegal for it constitutes a health hazard. Direct connections into sanitary waste systems only, shall be acceptable.



FREEZING

Ensure all pipe work susceptible to freezing is adequately insulated or heated. In unheated buildings, the toilet, piping and grinding unit must be properly winterized with "RV or plumbers" anti-freeze or drained completely.



ELECTRICITY

Before attempting any maintenance or servicing, the unit must be disconnected from the power source. The grinding system must be connected to a Ground Fault Circuit Interrupter.

EASY ACCESS

The unit should be accessible and removable in the event of maintenance being required. During the installation a full-port ball valve should be installed at the base of any vertical discharge pipe work from the unit to allow easy service of the unit.

GRAVITY FALL

The unit accepts wastewater by gravity; it does not "vacuum" in water. All inlet pipe work must have a positive gravity fall, (1/4" per foot). All horizontal piping from the grinding unit must also have a positive gravity fall to allow free drainage when the pump stops.



INSTRUCTIONS ONLY FOR QUALIFIED PROFESSIONAL SPECIALISTS

15 WORK THAT MAY BE REQUIRED



ELECTRICAL INSTALLATION MUST BE CARRIED OUT BY A PROFESSIONAL ELECTRICIAN



Before carrying out any other types of work, disconnect the Sanicubic* 1 from the power supply.

UNIT ALARM

Possible preliminary maintenance operations on the unit

PROBLEM	PROBABLE CAUSES	SOLUTIONS
No motor starts and the power yellow LED is off (*)	No power	Check your electrical connections
The LED warning light is on	1 - Obstructed pump 2 - Blocked up pump	Press the override button continuously to get the pumps working
The LED flashing warning light	Faulty detection system	Contact Saniflo after sales service

Possible secondary maintenance operations

PROBLEM	PROBABLE CAUSES	SOLUTIONS
The motor does not start but override works	1 - Faulty electronic card 2 - Faulty detection system	1 - Contact Saniflo after-sales service
Pump running continuously	1 - Obstructed discharge pipe 2 - Pump discharge height too high 3 - Faulty electronic card	1 - Remove obstruction from the discharge pipe 2 - Check installation (**) 3 - Contact Saniflo after-sales service
Pump starting up intermittently	1 - The non-return valve is leaking or broken	1 - Clean or change the valve

(*) A flashing yellow LED indicates that there has been a power cut.

(**) Warning: if pumping height is high, 90° elbows should be avoided.

16 DISMANTLING

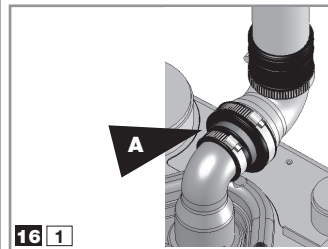


INSTRUCTIONS RESERVED EXCLUSIVELY FOR QUALIFIED PROFESSIONAL SPECIALISTS



DISCONNECT THE UNIT FROM POWER SUPPLY (the green indicator light must be off).

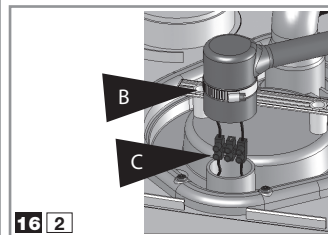
The unit beeps to show that it is no longer under power.



16 1

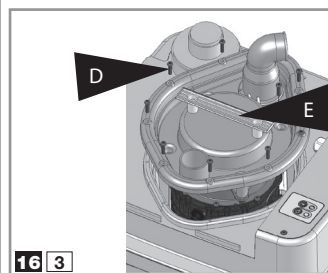
Unclip the cover.

Unscrew the metal clamp **A** on the motor (the check valve stays in place while the motor is being repaired).



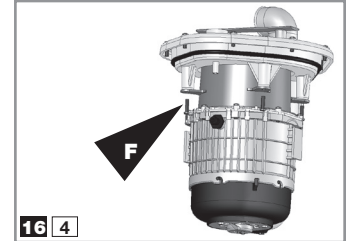
16 2

Unscrew the metal clamp **B**. Remove the motor power wires **C** from the screw connector.



16 3

Remove the screws **D** from the inspection cover. Use the handle **E** to lift the motor carefully.



16 4

If the faulty motor has to be sent back to the manufacturer remove screws **F** from the inspection cover.

INSTALLING A MOTOR

Remove the plug and the inspection cover.

Screw the motor onto the inspection cover and put the cover back in place.

Reconnect the motor power wires (cf. illustration).

Warning:

Comply carefully with the color code:

Blue wire with the blue wire

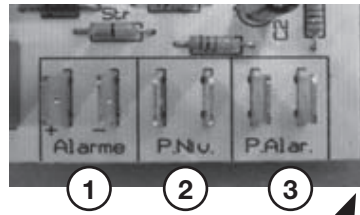
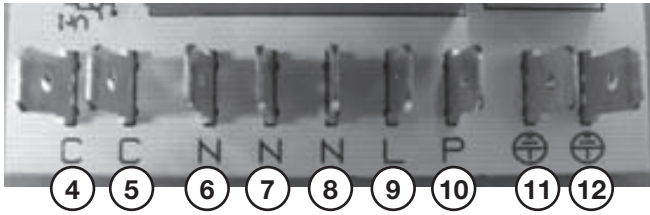
Brown wire with the brown wire

Green wire with the green wire

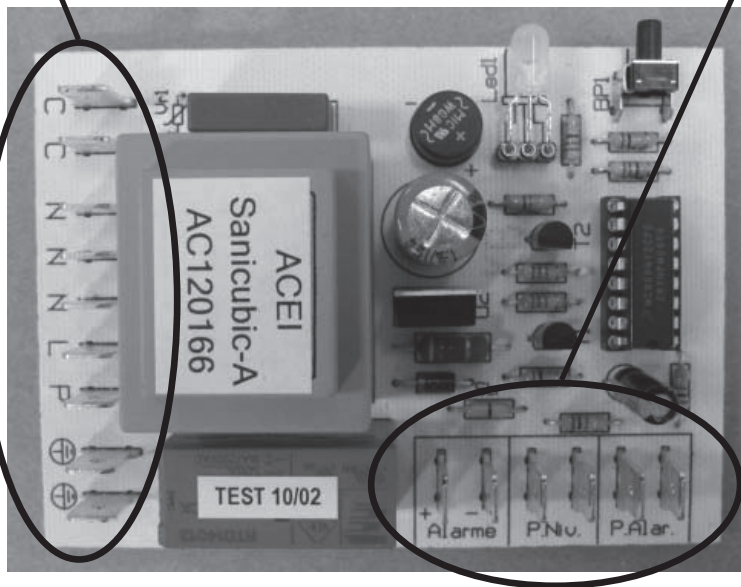
White wire with the white wire

Connect the unit to the power supply.

Carry out a complete test for commissioning.



1	Blue and brown alarm
2	Brown level pressure switch
3	Brown alarm pressure switch
4	White motor
5	White running capacitor
6	White running capacitor
7	Blue motor
8	Blue power cord
9	Brown power cord
10	Brown motor
11	Green/yellow motor
12	Green/yellow power cord



WARNING:

Each marked cable lug must be isolated (7, 8, 9 and 10)

Attention : chaque cosse marquée doit être isolée (7, 8, 9 et 10)

① **Brown / Blue:** alarm
Marron / Bleu : alarme x2

④ **White:** motor
Blanc : moteur

⑦ **Blue:** motor
Bleu : moteur

⑩ **Brown:** motor
Marron : moteur

② **Brown:** level pressure switch
Marron : pressostat niveau

⑤ **White:** running capacitor
Blanc : condensateur

⑧ **Blue:** power cord
Bleu : cordon alimentation

⑪ **Green/yellow:** motor
Vert/jaune : moteur

③ **Brown:** alarm pressure switch
Marron : pressostat alarm

⑥ **White:** running capacitor
Blanc : condensateur

⑨ **Brown:** power cord
Marron : cordon alimentation

⑫ **Green/yellow:** power cord
Vert/jaune : cordon alimentation

LIMITED WARRANTY

Warranty period two-year from date of purchase

Subject to the conditions listed below, SFA-SANIFLO INC. (hereinafter called the «Company») guarantees to repair or at its option replace the product or any component thereof, which, in the opinion of the Company, is faulty or below standard as a result of inferior workmanship or materials. If replacement is to be issued, this will only be extended to the first year starting from the date of purchase. Warranty repairs will apply after such date up to the warranty's date of conclusion.

CONDITIONS

The conditions of this guarantee are:

- 1.The product must not have been subjected to misuse, neglect, accident or damaging products, in accordance with the paragraph «USAGE» of these Installation Instructions.
- 2.The product must be connected to the proper electrical supply as per the installation manual.
- 3.The alleged fault or defect must be notified to the company, within the warranty period.

PART OR PRODUCT EXCHANGE

The product will be exchange, free of charge, at the original resellers place of business only, upon the followings conditions being fulfilled:

- 1 The customer need a «return authorization» number from the company to authorize and validate the exchange.
- 2 The customer must supply a copy of their invoice to validate the request for an exchange.

LIMITATIONS

- 1.Cost of disconnection and reconnection (i.e. labor charges) are not covered by the warranty and are end-users responsibility.
- 2.Cost of mail or freight when a part or parts of the system have to be repaired at the company are not covered by this warranty.
- 3.In no event shall the company be liable for any special, incidental or consequential damage, loss, or injury of whatsoever nature or kind arising from or in connection with the product or any component thereof.
- 4.The guarantee is transferable only when the product remains at the same premises as where it was installed initially.

Except as set forth in this Limited Warranty, the company disclaims all other warranties, express or implied, with respect to the product or any component thereof including, but not limited to, all implied warranties for merchantability and fitness for a particular purpose

For service or for further inquiries, please contact one of the following addresses:

United States

SFA-SANIFLO INC.
105 Newfield Avenue, Suite A
Edison, NJ 08837

Canada


SFA-SANIFLO INC.
1-685 Speedvale Avenue West
Guelph ON
N1K 1E6


Toll Free: 1-800-571-8191
Telephone: 1-732-225-6070
Fax: 1-732-225-6072
E-mail.: sfasales@saniflo.com
Web Site: www.saniflo.com


Toll Free: 1-800-363-5874 English
Toll Free: 1-800-877-8538 French
Telephone: 1-519-824-1134
Fax: 1-519-824-1143
E-mail.: sales@saniflo.com
Web Site: www.saniflo.ca

1 DESCRIPTION

Le **SANICUBIC® 1** est une station de relevage conçue pour évacuer les effluents provenant d'un usage domestique ou d'un usage commercial léger. Prière de respecter toutes les instructions d'installation et d'entretien du présent mode d'emploi et, en particulier, les informations correspondant aux symboles suivants :

«  » Le non-respect de cette indication risque de mettre en danger la sécurité des personnes.

«  » Cette indication avertit de la présence d'un danger électrique.

«  » Ces instructions sont réservées exclusivement aux professionnels qualifiés.

« **AVERTISSEMENT** » Le non-respect de cette indication risque de nuire au fonctionnement normal de l'équipement.

Pour de plus amples renseignements, prière de communiquer avec le service à la clientèle.

SANICUBIC® 1 PRINCIPE DE FONCTIONNEMENT

Le **SANICUBIC® 1** comprend une pompe équipée d'un système de broyage très performant.

La cuve du **SANICUBIC® 1** est équipée de 3 tubes plongeurs; 2 commandent le fonctionnement du moteur et le 3eme, le système d'alarme.

- **Tube plongeur long** (fonctionnement normal) : dès que le niveau des effluents de la cuve atteint le point de déclenchement du tube long, le système de pompage se met en route.

- **Tube plongeur court** (fonctionnement anormal) : si les effluents atteignent le niveau supérieur dans la cuve, ils établissent un contact. Ce contact déclenche une alarme visuelle et sonore, la diode électroluminescente d'alarme (DEL) du panneau de commande passe au rouge.

2 LISTE DES PIÈCES FOURNIES

3 DIMENSIONS

4 DONNÉES TECHNIQUES DU SANICUBIC® 1

Type	R350
Hauteur de refoulement maximale	36 pi
Tension	120 V
Fréquence	60 Hz
Volume	8,5 gallons
Puissance absorbée maximale	1 CV
Intensité absorbée maximale	10 A
Classe électrique	I
Température moyenne de l'eau pour une performance optimale	104 °F
Température maximale (par intermittence)	158 °F*
Indice de protection	IP67
Poids net (accessoires inclus)	39 lbs

* Cycles d'évacuation d'eau chaude du lave-vaisselle ou de la machine à laver

5 USAGES

Ce système est conçu pour usage résidentiel ou usage commercial léger.

6 COURBE DE PERFORMANCE

7 RAPPORT HAUTEUR/ LONGUEUR POUR L'ÉVACUATION

8 INSTALLATION

Le **SANICUBIC® 1** doit être installé conformément aux codes de plomberie en vigueur. La mise en service et l'entretien de l'équipement doivent être réalisés par un professionnel qualifié.

8a RÉGLEMENTATIONS

1- Attention : le **SANICUBIC® 1** doit être installé dans un local suffisamment grand pour disposer d'un espace de travail d'au moins 24 po autour et au-dessus de l'unité afin de permettre la réalisation des travaux d'entretien éventuellement nécessaires. Ce local doit disposer d'un éclairage suffisant et être bien ventilé et protégé du gel.

2- **Des vannes d'arrêt (non fournies) doivent être installées sur les entrées d'effluents (en particulier les entrées de 4 po) ainsi que sur la conduite d'évacuation pour s'assurer que l'entretien s'effectue en toute sécurité.**

3- Cette conduite d'évacuation doit être conçue de façon à éviter tout reflux des égouts (voir les illustrations à la figure 8a). Le reflux des égouts peut être évité en installant une boucle anti-retour située au-dessus du niveau du reflux maximum.

Commentaires : Sauf indication contraire des autorités locales, le niveau de reflux maximal correspond au niveau de la rue (chaussée, trottoir, etc.). Prolonger le conduit après la boucle anti-retour, en utilisant un tuyau de diamètre supérieur.

4- Si le **SANICUBIC® 1** est installé dans un espace comme un puits, il est recommandé de poser une pompe auxiliaire en cas d'inondation.

5- La station de relevage doit être ventilée par une sortie au niveau du toit.


6- La station de relevage doit être fixée au sol (cf. 8b).

8b RACCORDEMENT DE LA CONDUITE D'ÉVACUATION

Retirer le ou les couvercles d'extrémité qui se trouvent à l'arrière de l'appareil. Comme le moteur est équipé d'un système de macération, il est possible d'utiliser un tuyau d'évacuation de 1½ po. Le coude de refoulement se trouve au centre de l'unité, à l'arrière (8c). Utiliser un raccord standard de 1½ po (non fourni) pour le connecter à la colonne montante et le fixer en place avec des colliers métalliques.

La pompe du **SANICUBIC® 1** est équipée d'un clapet anti-retour.

8c RACCORDEMENT D'APPAREILS SANITAIRES AUX ENTRÉES BASSES

 Pour installer une douche, une baignoire ou même un WC au même niveau que le **SANICUBIC® 1**, il faut s'assurer que les sorties d'évacuation des appareils sont situées à une hauteur minimale de 10 po au-dessus du **SANICUBIC® 1**. (Autrement dit, pour brancher l'évacuation arrière d'un WC au **SANICUBIC® 1**, l'arrière de l'entrée mâle (c) doit se situer au moins 10 po au-dessus de la sortie arrière du **SANICUBIC® 1**.)

8d RACCORDEMENT DES ENTRÉES DE 1½ po

Entrées basses (cf. 8d 1)

Entrées hautes (cf. 8d 2)

- Découper l'extrémité de l'entrée de 1½ po à la scie.
- Découper le manchon D au diamètre du tuyau : 1¼ po ou 1½ po (cf. 8d 3)
- Fixer le manchon D sur l'entrée et sur le tuyau à l'aide de colliers métalliques.

8e RACCORDEMENT DE L'ENTRÉE DE 4 po

Entrées basses (cf. 8e 1)

- 1- Retirer le bouchon de l'entrée latérale.
- 2- Fixer le manchon F en place à l'aide du collier métallique I.
- 3- Insérer complètement le manchon de 4 po dans l'autre extrémité du manchon et le fixer avec l'autre collier métallique I.

Entrée haute (cf. 8e 2)

- 1- Découper l'extrémité haute de l'entrée de 4 po à la scie.
- 2- Fixer le manchon F en place avec le collier métallique I.
- 3- Enfoncer complètement le tube de 4 po dans l'autre extrémité du manchon et le fixer à l'aide de l'autre collier métallique I.

8f RACCORDEMENT DE L'ÉVENT

1- ÉVENT DU SANICUBIC® 1

L'entrée haute est destinée à la ventilation. La conduite d'aération doit être installée jusqu'au niveau du toit. Fixer alors le manchon G en place à l'aide du collier métallique J. Enfoncer complètement le tube de 1½ po dans l'autre extrémité du manchon et le fixer avec l'autre collier métallique J.

ATTENTION : Noter que le système de ventilation devrait être une prise d'air à double sens. L'utilisation d'évents mécaniques, soupapes d'admission d'air ou dispositifs similaires n'est pas autorisée, car ils sont considérés comme des systèmes d'aération à sens unique. L'évent doit être ouvert sinon l'appareil ne fonctionnera pas.

2- MISE À L'AIR DE LA PARTIE ÉLECTRIQUE

Brancher le tuyau en PVC transparent de 8/11 (K) fourni au clavier situé sur le **SANICUBIC® 1**. L'autre extrémité de ce tube doit se situer entre trois et six pieds au-dessus de l'appareil pour éviter que l'eau ne pénètre dans la partie électrique en cas d'inondation.

Important : ne pas pincer ce tuyau.

8h INSTALLATION DU SANICUBIC® 1 AU SOL

Pour son installation au sol, le SANICUBIC® 1 est équipé de fixations afin de l'empêcher de basculer ou de bouger.

- 1 - Placer l'appareil à l'endroit voulu.
- 2 - Repérer les deux trous pour la fixation au sol.
- 3 - Placer les deux ancrages **A** sur le sol.
- 4 - Fixer l'appareil à l'aide des vis.

8i RACCORDEMENT ÉLECTRIQUE

Tous les branchements électriques doivent être conformes au code de l'électricité en vigueur dans votre région. Le système de broyage requiert une alimentation monophasée de 120 V - 15 A. Si la prise de courant est située dans une salle de bains, elle doit être à une distance de 40 pouces (en ligne directe) d'une douche ou d'une baignoire. Ne connectez l'appareil qu'à une prise de courant protégée par un coupe-circuit en cas de défaut de mise à la terre du neutre.

Attention : risque de choc électrique - cet appareil est muni d'une prise de terre (GFI) afin de réduire le risque d'électrocution. Vérifiez que votre appareil est branché sur un circuit électrique avec prise de terre.

9 FONCTIONNEMENT DE L'ALARME

1/ Alarmes générales : Alarme de niveau élevé :

Si le niveau d'eau dans la pompe est anormalement élevé, la DEL d'alarme rouge s'allume (voir aussi la remarque concernant le module d'alarme à distance déporté).

Alarme temporelle :

Si le moteur tourne depuis plus d'une minute, la DEL rouge de l'alarme s'allume.

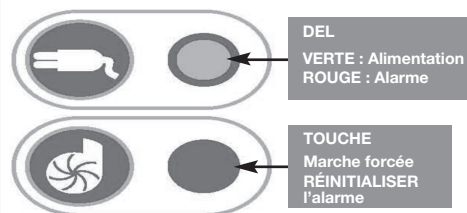
2/ Réinitialisation des alarmes générales :

La touche du panneau de commandes ne permet d'éteindre la DEL rouge (elle passe au vert) que si la défaillance ayant déclenché l'alarme est résolue.

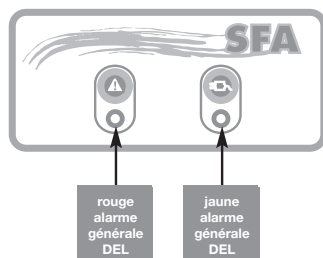
3/ Alarme principale :

Si la DEL verte du panneau de commandes clignote, cela indique une coupure temporaire de l'alimentation du réseau.

DEL D'ALARME DE L'UNITÉ



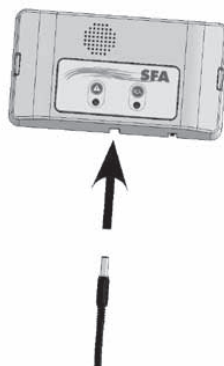
MODULE D'ALARME À DISTANCE DÉPORTÉ



Le boîtier d'alarme déporté du SANICUBIC® 1 ne nécessite pas d'alimentation indépendante. Il est alimenté par la carte de circuit du SANICUBIC® 1.

En cas de coupure de courant, l'accumulateur prend le relais.

RACCORDEMENT DU BOÎTIER D'ALARME À L'APPAREIL



Connecter le câble d'alarme directement au boîtier.

Le CUBIC 1 est livré avec 5 m de câble alarme.

- 1/ La DEL rouge de « l'alarme générale » reproduit le fonctionnement de la DEL correspondante sur la carte de base.
- 2/ La DEL jaune « réseau » indique l'état de l'alimentation du boîtier d'alarme à distance :
 - Allumée fixe = module alimenté par le réseau.
 - Clignotante = défaut d'alimentation du réseau pour le module.

10 CONFORMITÉ AUX NORMES

- Le SANICUBIC® 1 est autorisé à porter la marque de l'Association canadienne de normalisation (CSA) avec les signes adjacents « C » et « US ». Les signes « C » et « US » indiquent que le produit a été testé selon les normes CSA (CAN) et ANSI/UL pour une utilisation au Canada et aux États-Unis. Ces normes comprennent les produits admissibles qui portent la désignation NTRL (Nationally Recognized Testing Laboratory), une appellation attribuée par l'American Occupational Safety and Health Administration (OSHA) aux laboratoires habilités à décerner une certification selon les normes américaines.

11 MISE EN SERVICE

- 1 - Une fois les raccordements de plomberie et les branchements électriques réalisés, vérifier l'étanchéité des raccordements en laissant couler l'eau successivement dans chaque entrée utilisée. S'assurer du bon fonctionnement de l'appareil en effectuant un essai en eau au moins durant deux cycles de démarrage pour tester le système.
- 2 - **ATTENTION ! Ne pas faire tourner le moteur en marche forcée (en appuyant sur le bouton-poussoir du tableau de commande) avant d'avoir mis la pompe en eau. Un fonctionnement à sec détériore le système de macération.**
- 3 - **L'appareil ne doit pas être utilisé par des personnes (y compris les enfants) ayant de faibles capacités physiques, mentales ou sensorielles, sans expérience ou avec des compétences insuffisantes, à moins qu'elles ne soient sous la surveillance d'une personne responsable de leur sécurité ou formées par cette personne en ce qui concerne l'utilisation de cet appareil.**

12 UTILISATION

- 1- Le SANICUBIC® 1 est conçu pour évacuer les eaux usées domestiques. Toute autre utilisation entraînera l'annulation de la garantie. L'appareil est capable de gérer l'élimination accidentelle de serviettes, préservatifs, articles d'hygiène, etc. L'élimination des huiles, des solvants, acides ou autres liquides potentiellement corrosifs ou explosifs, etc. n'est pas autorisée.
- 2- **ATTENTION : En cas de coupure de courant, arrêter tout écoulement d'eau provenant des appareils reliés au SANICUBIC® 1.**
- 3- Ne pas installer ni utiliser l'appareil dans une zone à risque d'explosion.

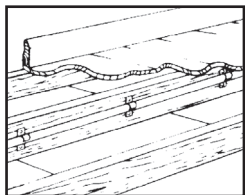
13 ENTRETIEN

Une vérification visuelle de la station de relevage doit être faite une fois par mois pour s'assurer de son bon fonctionnement, et l'installation doit être inspectée régulièrement (une fois par an) par une personne qualifiée. Toutefois, en cas de problèmes techniques, prière de demander conseil auprès du service après-vente. Si le câble d'alimentation de l'appareil est endommagé, il doit être remplacé par le fabricant ou le service après-vente afin d'éviter tout danger.

6 CONSEILS

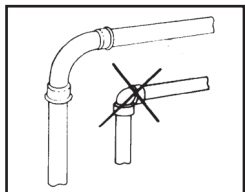
ANCRAGE DES TUYAUX

Tous les tuyaux des installations sanitaires doivent être ancrés conformément aux recommandations du fabricant pour les empêcher de pendre, car ils pourraient alors être bloqués par une accumulation de "matières solides".



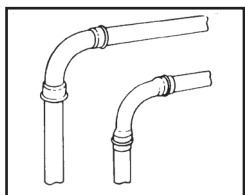
COURBES

Dans la mesure du possible, utilisez des courbes de tuyau plutôt que des coudes. Si des coudes de 90° ne sont pas disponibles, utilisez deux coudes de 45° pour former une courbe de 90°.



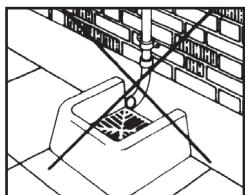
TUYAUTERIE

Tous les tuyaux doivent être en cuivre ou en plastique soudé au solvant. Il ne faut pas utiliser de tuyaux flexibles. Les pendants doivent être espacés d'au moins quatre pieds pour empêcher les tuyaux de cogner.



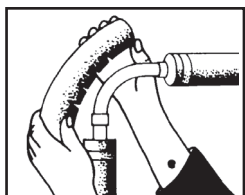
VIDANGE

Ne jamais évacuer les eaux usées directement dans un égout à ciel ouvert, un trou d'homme ou un drain pour les eaux de pluie. Cela est illégal et constitue un danger pour la santé. Seuls les branchements directs dans les systèmes de déchets sanitaires sont acceptables.



GEL

Assurez-vous que tout tuyau susceptible de geler est bien isolé ou chauffé. Dans les immeubles non chauffés, la toilette, la tuyauterie et l'ensemble broyeur-pompe doivent être protégés contre le gel avec de l'antigel de « véhicule de plaisance » ou vidés complètement.



ÉLECTRICITÉ

Avant d'entreprendre des travaux d'entretien ou de dépannage, il faut débrancher l'appareil de la source d'alimentation en électricité. Le système de broyage doit être protégé par un coupe-circuit en cas de défaut de mise à la terre du neutre.

ACCÈS FACILE

Il faut avoir accès à l'ensemble broyeur-pompe et pouvoir le déposer en cas de réparation. Au moment de l'installation, il faut poser une purge et une vanne d'arrêt à passage intégral à la base de tout tuyau d'évacuation vertical, pour permettre de réparer facilement l'appareil.

DESCENTE PAR GRAVITÉ

Les eaux usées se déversent dans l'ensemble broyeur-pompe par gravité. Elles ne sont pas aspirées. Tous les tuyaux d'arrivée doivent assurer l'écoulement absolu par gravité (1/4 po par pied). Les tuyaux d'évacuation horizontaux sortant de l'ensemble broyeur-pompe doivent aussi assurer l'écoulement absolu par gravité, pour que le drainage se fasse librement lorsque la pompe s'arrête.



INSTRUCTIONS RÉSERVÉES EXCLUSIVEMENT AUX PROFESSIONNELS QUALIFIÉS

15 INTERVENTIONS ÉVENTUELLES



INSTRUCTIONS RÉSERVÉES EXCLUSIVEMENT AUX PROFESSIONNELS QUALIFIÉS



Pour toutes autres interventions, débrancher la prise de courant

ALARME SUR L'APPAREIL

Premières interventions éventuelles sur l'appareil

ANOMALIE CONSTATÉE	CAUSES PROBABLES	REMÈDES
Le moteur ne démarre + LED jaune secteur éteinte (*)	Appareil hors tension	Vérifier l'installation électrique
LED alarme allumé	1 - Pompe bouchée 2 - Pompe bloquée	Faire fonctionner la pompe (bouton marche forcée) par impulsions répétées
LED clignote	Problème de détection	Consulter le service après vente SANIFLO

Deuxièmes interventions éventuelles

ANOMALIE CONSTATÉE	CAUSES PROBABLES	REMÈDES
Pas démarrage moteur mais MF fonctionne	1 - Carte électronique défectueuse 2 - Système de détection défectueux	1 - Consulter le service après vente SANIFLO
Fonctionnement en permanent de la pompe	1 - Tuyau d'évacuation bouché 2 - Hauteur de refoulement trop élevé 3 - Carte électronique défectueuse	1 - Déboucher la conduite d'évacuation 2 - Revoir l'installation (**) 3 - Consulter le service après vente SANIFLO
Remise en route intermittente de la pompe	1 - Le clapet anti-retour est soit fuyard soit cassé	1 - Nettoyer ou changer le clapet

(*) Si vous retrouvez l'appareil avec la LED jaune clignotant, une coupure de courant est survenue.

(**) Attention éviter au maximum les coudes à 90° si la hauteur de relevage est importante.

MF : marché forcée

16 DÉMONTAGE DU MOTEUR

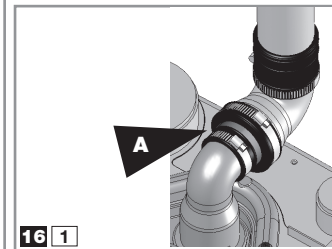


INSTRUCTIONS RÉSERVÉES EXCLUSIVEMENT AUX PROFESSIONNELS QUALIFIÉS



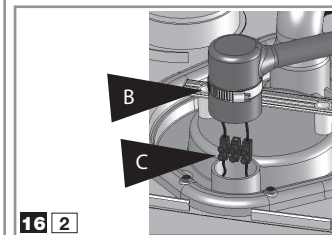
METTRE L'APPAREIL HORS TENSION (le voyant vert doit être éteint).

Sirène indiquant que l'appareil n'est plus alimenté.



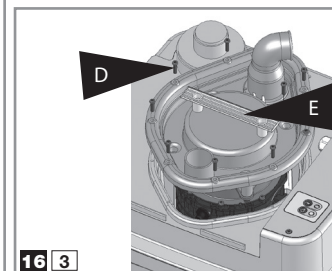
16 1

Déclipser le capot. Dévisser le collier **A** du moteur (le clapet anti-retour reste en position lors du dépannage du moteur).



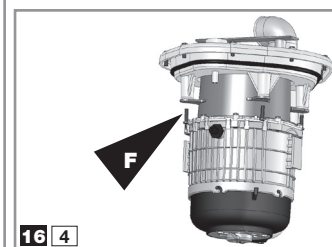
16 2

Dévisser le collier **B**. Débrancher les fils moteurs du bornier **C**.



16 3

Dévisser les vis **D** de la trappe. Utiliser la poignée **E** pour soulever le moteur avec précaution.



16 4

Si le moteur défectueux doit repartir chez le fabricant, dévisser les vis **F** du moteur défectueux de la trappe.

REMONTAGE DU MOTEUR

Retirer le bouchon et la trappe.

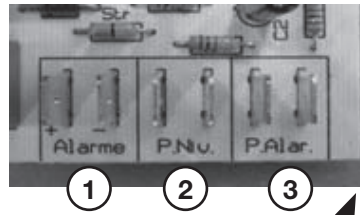
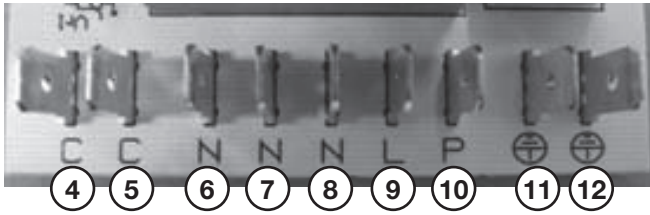
Revisser le moteur sur la trappe et remettre la trappe en position.

Reconnecter les fils moteur (cf visuel)

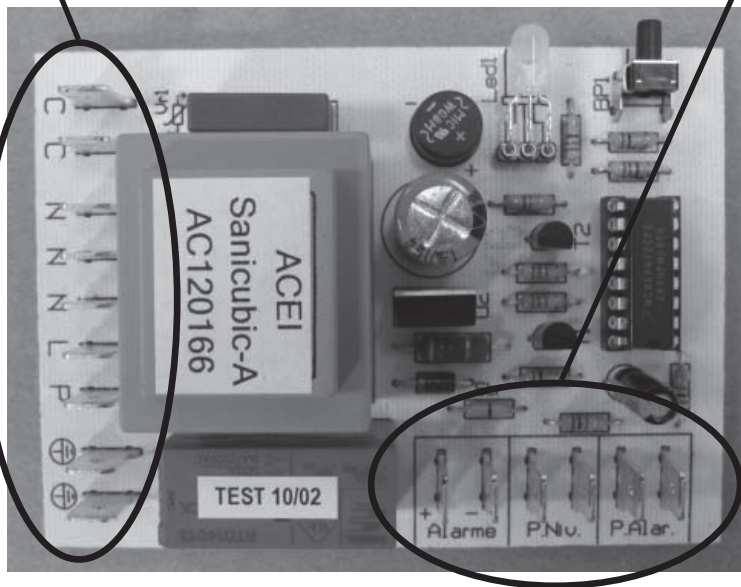
Attention :

Respecter le code couleur :
Fil bleu avec le fil bleu
Fil marron avec le fil marron
Fil vert avec le fil vert
Fil blanc avec le fil blanc
Mettre l'appareil sous tension.

Refaire un test complet de mise en service.



1	Blue and brown alarm
2	Brown level pressure switch
3	Brown alarm pressure switch
4	White motor
5	White running capacitor
6	White running capacitor
7	Blue motor
8	Blue power cord
9	Brown power cord
10	Brown motor
11	Green/yellow motor
12	Green/yellow power cord



WARNING:

Each marked cable lug must be isolated (7, 8, 9 and 10)

Attention : chaque cosse marquée doit être isolée (7, 8, 9 et 10)

① **Brown / Blue:** alarm
Marron / Bleu : alarme x2

④ **White:** motor
Blanc : moteur

⑦ **Blue:** motor
Bleu : moteur

⑩ **Brown:** motor
Marron : moteur

② **Brown:** level pressure switch
Marron : pressostat niveau

⑤ **White:** running capacitor
Blanc : condensateur

⑧ **Blue:** power cord
Bleu : cordon alimentation

⑪ **Green/yellow:** motor
Vert/jaune : moteur

③ **Brown:** alarm pressure switch
Marron : pressostat alarm

⑥ **White:** running capacitor
Blanc : condensateur

⑨ **Brown:** power cord
Marron : cordon alimentation

⑫ **Green/yellow:** power cord
Vert/jaune : cordon alimentation

GARANTIE LIMITÉE

Garantie de deux ans à partir de la date d'achat

Sous réserve du respect des conditions énoncées ci-dessous, SFA-SANIFLO INC. (ci-dessous appelée "la Compagnie") garantit qu'elle réparera ou remplacera, à son gré, le produit ou l'une quelconque de ses pièces, qui de l'avis de la Compagnie, se trouve défectueux ou ne répond pas à la performance demandée du fait d'un défaut de fabrication ou de matériau.

Si un remplacement doit être effectué, il ne pourra avoir lieu que sur la période de la première année à compter de la date d'achat. La garantie des réparations s'appliquera après cette date jusqu'à la fin de la garantie.

CONDITIONS

Les conditions de la garantie sont :

1. Le produit ne doit pas avoir subi de mauvais traitement, de négligence, d'accident ou d'exposition à des produits nocifs, conformément au paragraphe intitulé «UTILISATION»;
2. Le produit doit avoir été branché à une prise de courant comme celle indiquée dans le manuel d'installation ;
3. Le présumé défaut ou la présumée défaillance doit être signalé (e), sinon à l'installateur, du moins à la Compagnie, durant la période de garantie en vigueur.

ÉCHANGE DE PIÈCE OU DE PRODUIT

Le produit sera échangé sans frais, à l'établissement de détail où il a été acheté seulement, sous réserve du respect des conditions suivantes :

- Le client devra être en possession d'un numéro «d'autorisation de retour» de la Compagnie afin d'autoriser et de valider l'échange ;
- Le client doit fournir une copie de sa facture pour valider la demande d'échange.

RESTRICTIONS

1. La garantie ne couvre pas les frais de branchement et rebranchement de l'installation (c.-à-d. les frais de main-d'œuvre) qui sont à la charge du client ;
2. La garantie ne couvre pas les frais d'expédition ou de transport quand une pièce ou des pièces de l'appareil doit(vent) être réparé(e)s à l'usine ;
3. En aucun cas la Compagnie ne sera tenue responsable des dommages accessoires ou indirects, pertes ou blessures, de quelle que nature que ce soit, résultant de l'utilisation du produit, ou de l'un de ses composants ;
4. La garantie est transférable seulement si l'appareil demeure à l'endroit où il fut installé initialement.

Sauf pour ce qui est des termes de cette garantie limitée, la Compagnie n'accepte aucune autre garantie, implicite ou explicite, ayant trait au produit ou à tout composant y afférent, incluant sans toutefois s'y limiter, toute autre garantie implicite quant à la valeur marchande ou l'adaptabilité de ce produit à une fin particulière.

Pour le service et d'autres demandes de renseignements, veuillez appeler à l'une des adresses indiquées ci-dessous.

États-Unis

SFA-SANIFLO INC.
105 Newfield Avenue, Suite A
Edison, NJ 08837

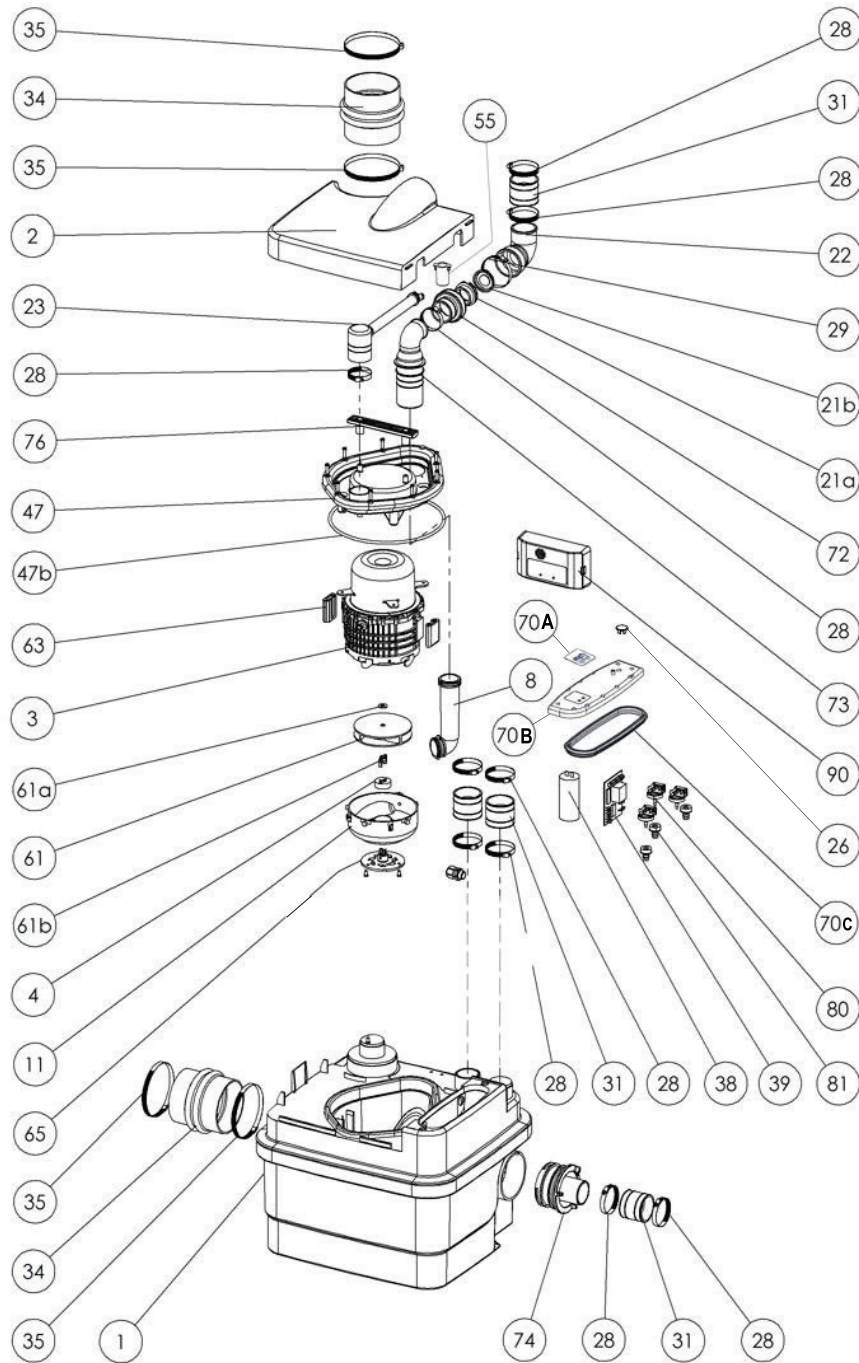
Numéro sans frais : 800-571-8191
Téléphone : 732-225-6070
Télécopie : 732-225-6072
C.élec. : sfasales@saniflo.com
Site Web : www.saniflo.com

Canada

SFA-SANIFLO INC.
1-685 Speedvale Avenue West
Guelph ON
N1K 1E6

Numéro sans frais : 800-363-5874 Anglais
Numéro sans frais : 800-877-8538 Français
Téléphone : 519-824-1134
Télécopie : 519-824-1143
C.élec. : sales@saniflo.com
Site Web : http://www.saniflo.ca

SANICUBIC® 1



United States
 SFA-SANIFLO INC.
 105 Newfield Avenue, Suite A
 Edison, NJ 08837

Customer toll free: 1-800-571-8191
 Telephone: 1-732-225-6070
 Fax: 1-732-225-6072
 E-mail: sfasales@saniflo.com
 Web Site: www.saniflo.com

Canada
 SFA-SANIFLO INC.
 1-685 Speedvale Avenue West
 Guelph ON
 N1K 1E6

Customer toll free: 1-800-363-5874 English
 Customer toll free: 1-800-877-8538 Français
 Telephone: 1-519-824-1134
 Fax: 1-519-824-1143
 E-mail: sales@saniflo.com
 Web Site: www.saniflo.ca/fr