

# 431 Water Meter Flange • Spec Sheet

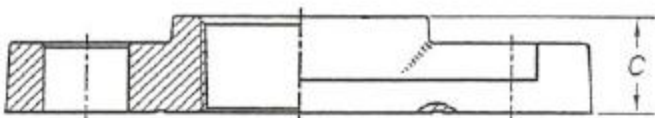
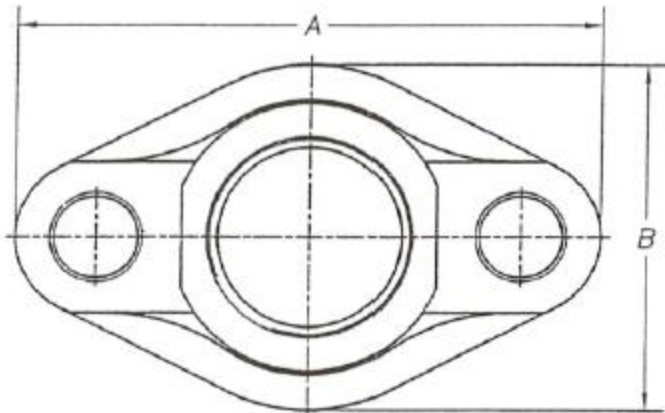


## FEATURES & BENEFITS

- Bronze - B584 C84400
- Oval
- IPS Only
- AB 1953 Certified
- Sizes - 1-1/2" and 2"

## DIMENSIONS

Part #	Size	A	B	C
431T07	1-1/2"	5.52	3.35	0.93
431T08	2"	6.09	3.94	0.87



**Meter Flange Kits Now Available**  
Each Kit Includes:  
2 Flanges, 2 Gaskets, 4 Nuts and 4 Bolts

**Gaskets Available**  
**Nuts & Bolts Available**

 **MATCO-NORCA**  
Global sourcing. National compliance. Local service.

**NEW YORK** PO Box 27, Rt. 22, Brewster NY 10509 • Toll Free: 800-431-2082 • Fax: 845-278-9056  
**TEXAS** 1150 Silber Rd., Houston TX 77055 • Toll Free: 800-935-5456 • Fax: 713-680-2999  
**CALIFORNIA** 5593 Fresca Dr., La Palma CA 90623 • Toll Free: 866-532-8306 • Fax: 866-532-8307  
WEB: [www.matco-norca.com](http://www.matco-norca.com) EMAIL: [mail@matco-norca.com](mailto:mail@matco-norca.com)