

# Bronze Ball Valves

Two-Piece Body • Full Port • Stainless Trim • Blowout-Proof Stem • Vented Ball

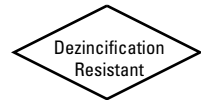
**600 PSI/41.4 bar non-shock cold working pressure**  
**150 PSI/10.3 bar saturated steam\***

CONFORMS TO MSS SP-110

## MATERIAL LIST

PART	SPECIFICATION
1. Handle Nut	Stainless Steel 300 Series
2. Handle	Zinc Plated Steel Clear Chromate Plastisol Coated
3. Threaded Pack Gland	Brass ASTM B 16 Alloy C36000
4. Packing	PTFE
5. Stem	Stainless Steel ASTM A 276 Type 316
6. Thrust Washer	Reinforced PTFE
7. Ball (Vented)	Stainless Steel ASTM A 276 Type 316 or ASTM A 351 Type CF8M
8. Seat Ring (2)	Reinforced PTFE
9. Body	Bronze ASTM B 584 Alloy C84400
10. Body End Piece	Bronze ASTM B 584 Alloy C84400

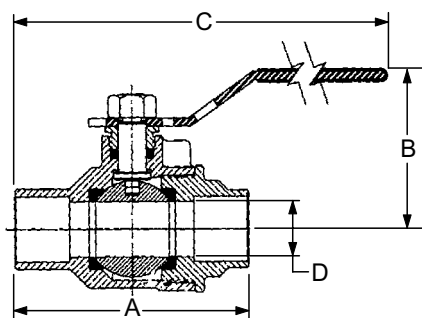
¼" size only has a 304 stainless steel grounding washer.



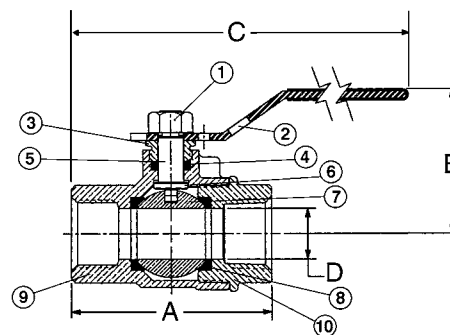
**T-585-70-66**  
Threaded



**S-585-70-66**  
Solder



**S-585-70-66**  
C x C



**T-585-70-66**  
NPT x NPT

## DIMENSIONS—WEIGHTS—QUANTITIES

### Dimensions

Size	T-585-70-66		S-585-70-66		T-585-70-66		S-585-70-66		D	T-585-70-66		S-585-70-66		Master Ctn.	Qty.			
	In.	mm.	In.	mm.	In.	mm.	In.	mm.		Lbs.	Kg.	Lbs.	Kg.					
¼	8	2.00	51	1.75	44	1.75	44	5.00	127	4.75	121	.38	10	.45	.21	.42	.19	100
⅜	10	2.00	51	1.84	47	1.75	44	5.00	127	4.81	122	.38	10	.45	.21	.42	.19	100
½	15	2.44	62	2.56	65	1.88	48	5.19	132	5.25	133	.50	13	.64	.29	.60	.27	100
¾	20	2.94	75	3.25	82	2.25	57	6.25	159	6.25	159	.75	19	1.33	.60	1.27	.58	50
1	25	3.34	85	3.75	95	2.38	60	6.44	164	6.63	168	1.00	25	1.79	.81	1.72	.78	40
1¼	32	4.19	106	5.06	128	3.00	76	6.75	171	7.19	183	1.25	32	3.34	1.52	3.40	1.55	20
1½	40	4.72	120	5.99	151	3.16	80	9.06	230	9.69	246	1.50	38	4.84	2.20	5.18	2.35	10
2	50	5.16	131	6.72	170	3.50	89	9.25	235	10.06	256	2.00	51	7.41	3.37	7.83	3.56	8

Note: solder end is designed to be soft-soldered into lines using solders with the melting point not exceeding 500°F. Higher temperature solders will damage the seat material. See installation sheet packaged with valves.

♦For detailed operating pressure, refer to pressure temperature chart on page 42.

**LEAD FREE\*  
OPTION  
AVAILABLE**

**OXYGEN  
SERVICE  
OPTION  
AVAILABLE**

Visit our website for the most current information.

\*Weighted average lead content ≤ 0.25%