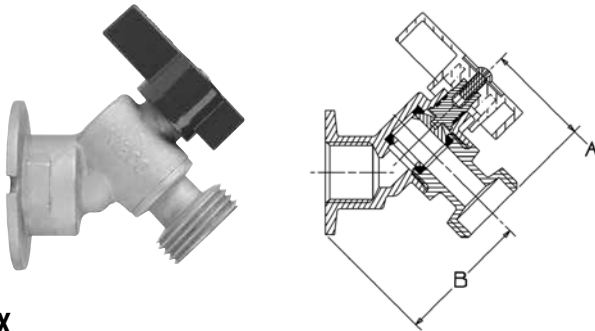
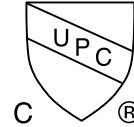


# QTX Series Quarter-Turn Low Pressure Sillcocks

- IAPMO Listed to cUPC®

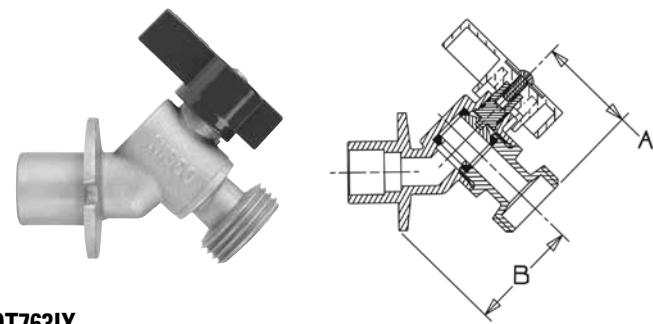
## MATERIAL LIST

PART	SPECIFICATION
Screw	Steel
I.D. Tag	Aluminum
Handle	Zinc
Stem	Brass ASTM B 16 UNS C36000
O-Ring	Nitrile
Seat	PTFE
Ball	Brass ASTM B 16 UNS C36000
Adapter	Brass ASTM B 283 UNS C37700
Body	Brass ASTM B 283 UNS C37700



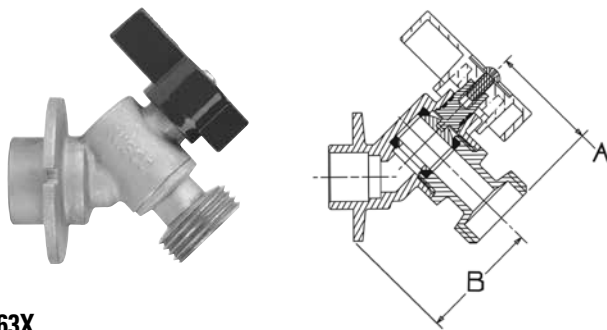
**QT63X**

DESCRIPTION	Nom. Size	DIMENSIONS		APPROX. NET WT.
		A	B	
<b>ANGLE SILLCOCK</b> Threaded to Hose	1/2	1.38"	1.77"	.44 lb
	3/4	1.38"	1.85"	.48 lb



**QT763IX**

DESCRIPTION	Nom. Size	DIMENSIONS		APPROX. NET WT.
		A	B	
<b>ANGLE SILLCOCK</b> 1/2 Cup or 3/4 Ftg. to Hose	1/2 or 3/4	1.38"	1.57"	.50 lb



**QT763X**

DESCRIPTION	Nom. Size	DIMENSIONS		APPROX. NET WT.
		A	B	
<b>ANGLE SILLCOCK</b> Solder to Hose	1/2	1.38"	1.54"	.43 lb
	3/4	1.38"	1.69"	.48 lb

NOT FOR USE WITH POTABLE DRINKING WATER APPLICATIONS AFTER JANUARY 3, 2014.