

ADJUSTABLE BRACKET

» 520-19 & 520-419 SERIES

Slider™

ITEM # SUBMITTED	_____
JOB NAME	_____
LOCATION	_____
ENGINEER	_____
CONTRACTOR	_____
PO#	_____ TAG _____

SPECIFICATION

Sioux Chief 520-19 and 419 series Slider™ adjustable bracket shall be used where necessary to support fittings, clamps, tube straps ducting and electrical boxes. All installations shall comply with local or national codes. Bracket shall be corrosion resistant.

INSTALLATION

Check with local or national code authorities regarding spacing requirements. Secure bracket to studs or joists using approved hardware (not provided). Self-nailing models can be hammered directly into wood. Once bracket is installed, secure fitting, clamp, strap, etc. directly to flat side of bracket using self-tapping screws (not provided). Bracket can also be installed directly beneath lightweight air ducts as a support device where permitted by local code authorities.

MATERIALS

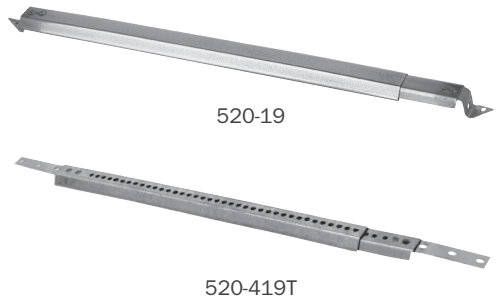
22 gauge G-90 galvanized steel

LOAD RATING

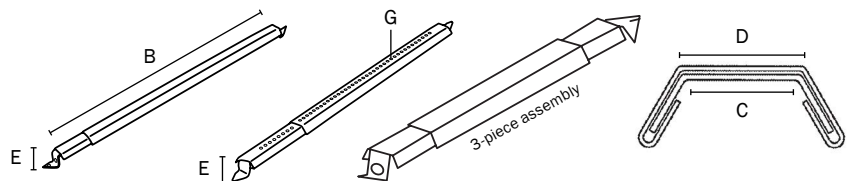
Maximum Load: 50 lbs.

DIMENSIONS

	520-19	520-19C	520-19T	520-19TC	520-419	520-419T	520-419TC	*520-24
A: Material finish	galv	cu-pltd	galv	cu-pltd	galv	galv	cu-pltd	galv
B: Bracketing area length	12"-19"	12"-19"	12"-19"	12"-19"	12"-19"	12"-19"	12"-19"	19"-24"
C: Bracket width (inner)	0.822	0.822	0.822	0.822	0.822	0.822	0.822	0.822
D: Bracket width (outer)	0.875	0.875	0.875	0.875	0.875	0.875	0.875	0.875
E: Tab/nailer length	1.404	1.404	1.500	1.500	1.404	1.500	1.500	1.404
F: Pilot hole spacing	—	—	13/64"	13/64"	—	13/64"	13/64"	—
G: Pilot hole diameter	—	—	1/8"	1/8"	—	1/8"	1/8"	—



*3-piece assembly



Made in USA

Create Item Number

520-A B

e.g. 520-419T: galvanized bracket with pilot holes, flat tabs with 12"-19" adjustability

BRACKET CONFIGURATION A

- = Flat surface
- 24 = 3-piece assembly
- 4 = Pilot holes

TAB STYLE & FINISH B

- 19 = Self-nailer, galv
- 19C = Self-nailer, cu-pltd
- = Self nailer, galv
- 19T = Flat tab, galv
- 19TC = Flat tab, cu-pltd