

FIGURE 100A STAINLESS STEEL BALL VALVES



1 PC STANDARD PORT 1000 CWP

FEATURES

- 1000 PSI CWP non-shock
- 150 PSI WSP
- Threaded NPT ends
- Blowout-proof stem
- Investment cast body
- Stainless steel handle
- Locking lever
- RTFE seats
- Vented ball
- Manufactured silicone-free
- Replacement locking handle kits available (1/4"–2")



PRODUCT SPECIFICATIONS

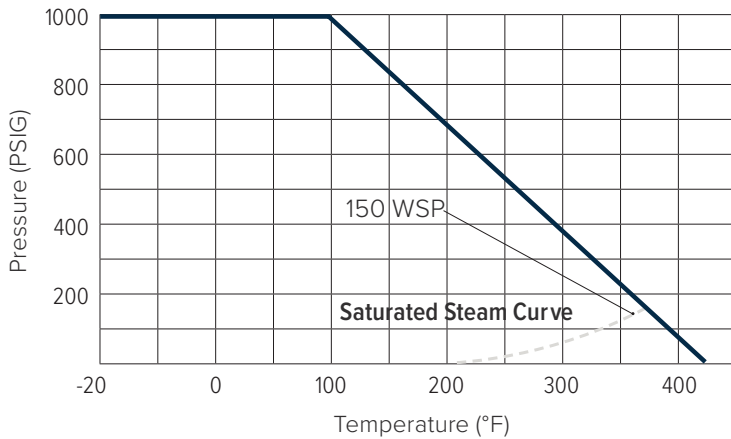
Standards

- Design: MSS SP-110
- End Connections: ASME B1.20.1
- Seat/Shell Test: MSS SP-110
- Corrosion Resistance: NACE MR0103 and MR0175

ACCESSORIES



Replacement Locking Handle Kits (1/4"–2")



TORQUE (IN-LBS)

Size /ΔP	75 psig	300 psig	1000 psig
	5 Bar	20 Bar	63 Bar
1/4, 3/8	57	57	57
1/2	57	57	57
3/4	69	69	69
1	114	126	126
1-1/4	150	173	218
1-1/2	218	254	299
2	334	368	437
2-1/2	517	564	679
3	828	932	1162
4	1265	1404	1703

Note: 30% safety factor is recommended when sizing actuator.

FIGURE NUMBER MATRIX

FNW 100A	
Size Code	
1/4" = B	1" = G
3/8" = C	1-1/4" = H
1/2" = D	1-1/2" = J
3/4" = F	2" = K

HANDLE KIT CODES (ORDER SEPARATELY)

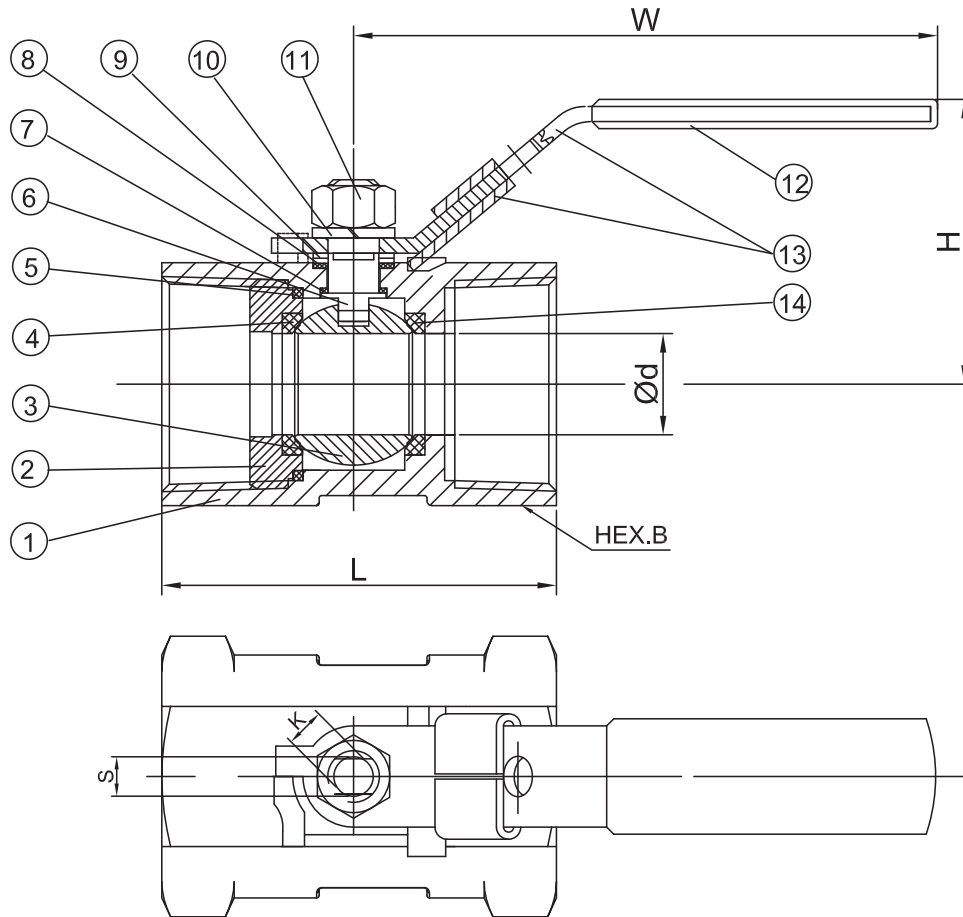
FNW 100A	
Kit Type	Size Code
Locking Handle = LHK	1/4" = B
	3/8" = C
	1/2" = D
	3/4" = F
	1"–1-1/4" = GH
	1-1/2"–2" = JK

CV & WEIGHT

Size	Cv	Wt (lbs)
1/4	4	0.15
3/8	7	0.25
1/2	12	0.43
3/4	23	0.64
1	30	1.00
1-1/4	55	1.52
1-1/2	96	1.98
2	170	3.27

FIGURE 100A STAINLESS STEEL BALL VALVES

1 PC STANDARD PORT 1000 CWP



DIMENSIONS (INCHES)

SIZE	Ød	L	H	W	K	S	B
1/4	0.20	1.63	1.34	2.76	M5x0.8	0.12	0.67
3/8	0.28	1.81	1.38	3.15	M6x1.0	0.16	0.83
1/2	0.36	2.28	1.73	3.62	M8x1.25	0.20	0.98
3/4	0.49	2.40	1.81	3.62	M8x1.25	0.20	1.26
1	0.59	2.89	2.01	4.53	M10x1.5	0.24	1.50
1-1/4	0.79	3.07	2.28	4.53	M10x1.5	0.24	1.89
1-1/2	0.98	3.35	2.60	5.00	M12x1.75	0.31	2.09
2	1.26	4.02	2.83	5.00	M12x1.75	0.31	2.60

STANDARD MATERIALS

Ref. No.	Description	Material	Qty
1	Body	ASTM A351 Gr. CF8M Stainless	1
2	End Cap	ASTM A351 Gr. CF8M Stainless	1
3	Ball	316SS Stainless	1
4	Seat	RTFE	2
5	Body Gasket*	PTFE	1
6	Stem	316SS Stainless	1
7	Thrust Washer	PTFE	1
8	Stem Packing	PTFE	1
9	Gland	304SS Stainless	2
10	Stem Washer	304SS Stainless	1
11	Stem Nut	ASTM A194-8 Stainless	1
12	Handle Sleeve	Vinyl Plastic	1
13	Locking Handle	304SS Stainless	1

*1-1/4"-2" only, gasket is integral to seat-1 on smaller sizes.