

FIGURE 310A STAINLESS STEEL BALL VALVES



3 PC FULL PORT 1000 CWP

FEATURES

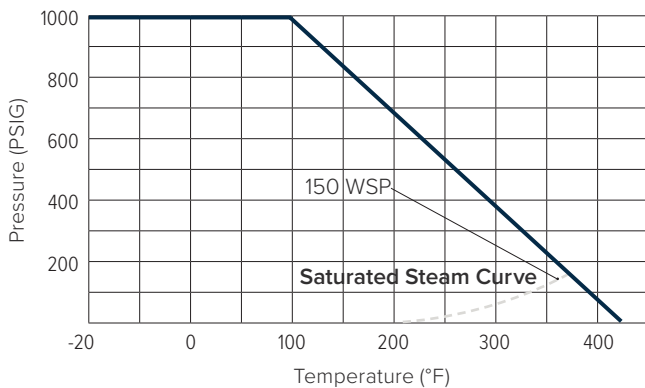
- 1000 PSI CWP non-shock
- 150 PSI WSP
- End connections
 - Threaded
 - Socket weld
- Full port
- Blowout-proof stem
- Adjustable packing
- Investment cast body
- Stainless steel handle
- Locking lever
- RTFE seats
- Vented ball
- Manufactured silicone-free
- Replacement locking handle kits available
- Optional stem extension kit
(Uses existing valve handle) (1/4"–2")
- Optional oval handle kit (1/4"–2")



PRODUCT SPECIFICATIONS

Standards

- Design: MSS SP-110
- End Connections:
 - NPT - ASME B1.20.1
 - SW - ASME B16.11
- Seat/Shell Test: MSS SP-110
- Corrosion Resistance: NACE MR0103 and MR0175



ACCESSORIES



Replacement Locking Handle Kits (1/4"–3")



Stem Extension Kits (1/4"–2")



Oval Handle Kits (1/4"–2")

TORQUE (IN-LBS)

Size /ΔP	150 psig	300 psig	1000 psig
	10 Bar	20 Bar	63 Bar
1/4, 3/8	57	57	57
1/2	57	57	57
3/4	69	69	69
1	114	126	126
1-1/4	150	173	218
1-1/2	218	254	299
2	334	368	437
2-1/2	517	564	679
3	828	932	1162

Note: 30% safety factor is recommended when sizing actuator.

FIGURE NUMBER MATRIX

FNW 310A		
End Code	Size Code	
Blank = Threaded NPT	1/4" = B	1-1/4" = H
SW = Socket Weld	3/8" = C	1-1/2" = J
	1/2" = D	2" = K
	3/4" = F	2-1/2" = J
	1" = G	3" = K

Note: For 4" valves, use FNW figure number 310AM.

HANDLE KIT CODES (ORDER SEPARATELY)

FNW 310A	
Kit Type	Size Code
Locking Handle = LHK	1/4"–1/2" = BD
Stem Extension = SEK	3/4" = F
Oval Handle = OH	1"–1-1/4" = GH
	1-1/2"–2" = JK
	2-1/2"–3" = LM

REPAIR KITS (ORDER SEPARATELY)

FNW 310ARK	
Size Code	
1/4"–3/8" = BC	1-1/2" = J
1/2" = D	2" = K
3/4" = F	2-1/2" = L
1" = G	3" = M
1-1/4" = H	

FNW.COM

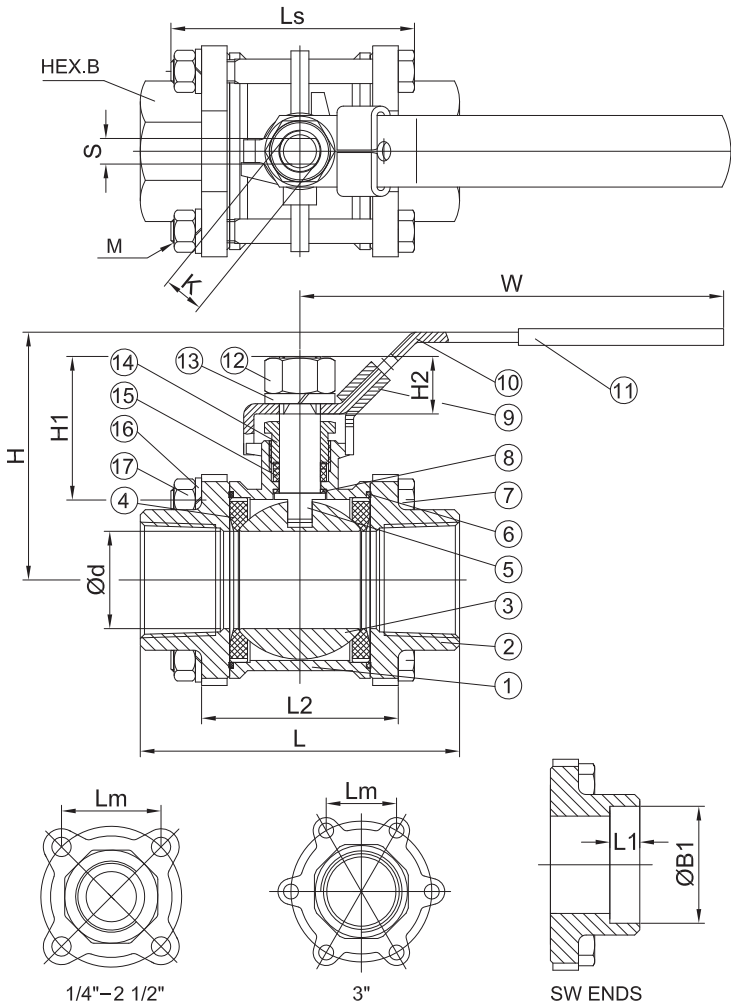
©2021 Ferguson Enterprises, LLC 0821 3097611

We reserve the right to modify or improve the designs or specifications of our products at any time without notice.

FIGURE 310A STAINLESS STEEL BALL VALVES



3 PC FULL PORT 1000 CWP



STANDARD MATERIALS

Ref. No.	Description	Material	Qty
1	Body	ASTM A351 Gr. CF8M Stainless	1
2	End Cap	NPT	ASTM A351 Gr. CF8M Stainless
		SW	ASTM A351 Gr. CF3M Stainless
3	Ball	316SS Stainless	1
4	Seat	RTFE	2
5	Stem	316SS Stainless	1
6	Body Gasket	PTFE	2
7	Body Bolt	1/4"-2-1/2"	ASTM A193-B8 Stainless
		3"	
8	Thrust Washer	PTFE	1
9	Locking Device	304SS Stainless	1
10	Handle	304SS Stainless	1
11	Handle Sleeve	Vinyl Plastic	1
12	Stem Nut	ASTM A194-8 Stainless	1
13	Stem Washer	304SS Stainless	1
14	Glan Nut	304SS Stainless	1
15	V-Ring Packing	PTFE	1 Set
16	Bolt Washer	1/4"-2"	
		2-1/2"	SUS304 Stainless
		3"	
17	Bolt Nut	1/4"-2"	
		2-1/2"	ASTM A194-8 Stainless
		3"	

DIMENSIONS (INCHES)

SIZE	Ød	L	Lm	H1	H2	H	W	S	K (UNF)	Ls	L2	M (UNC)	B	L1	ØB1
1/4	0.42	2.57	1.14	1.20	0.43	2.26	3.94	0.197	5/16-18	1.98	1.46	1/4-20	0.93	0.39	0.56
3/8	0.47	2.57	1.14	1.20	0.43	2.26	3.94	0.197	5/16-18	1.98	1.46	1/4-20	0.93	0.39	0.69
1/2	0.59	2.74	1.21	1.11	0.38	2.26	3.94	0.197	5/16-18	2.13	1.63	1/4-20	1.10	0.39	0.86
3/4	0.79	3.15	1.52	1.30	0.49	2.50	5.08	0.256	3/8-16	2.44	1.82	5/16-18	1.36	0.51	1.07
1	0.98	3.54	1.76	1.61	0.62	2.97	6.14	0.314	7/16-14	2.79	2.10	5/16-18	1.65	0.51	1.34
1-1/4	1.26	4.33	2.13	1.61	0.55	3.19	6.14	0.314	7/16-14	3.37	2.68	3/8-16	2.05	0.63	1.69
1-1/2	1.50	4.72	2.42	2.12	0.89	3.70	7.19	0.394	5/8-11	3.81	3.05	3/8-16	2.30	0.63	1.93
2	1.97	5.51	2.95	2.19	0.89	4.11	7.19	0.394	5/8-11	4.36	3.59	3/8-16	2.81	0.67	2.42
2-1/2	2.50	7.28	3.62	2.69	0.93	5.16	9.92	0.472	3/4-10	5.91	4.36	9/16-12	3.41	0.67	2.91
3	2.99	8.07	2.93	2.75	0.93	5.47	9.92	0.472	3/4-10	6.50	4.93	9/16-12	3.98	0.67	3.54

CV & WEIGHT

Size	Cv	Wt (lbs)	
		NPT	SW
1/4	16	1.01	0.93
3/8	16	1.01	0.98
1/2	30	1.12	1.10
3/4	55	1.81	1.76
1	96	2.69	2.60
1-1/4	170	4.28	4.19
1-1/2	270	5.73	5.60
2	470	9.04	8.95
2-1/2	780	18.25	18.08
3	1150	25.57	25.88