



STATE OF DELAWARE
DEPARTMENT OF NATURAL RESOURCES
& ENVIRONMENTAL CONTROL
DIVISION OF WATER RESOURCES
20653 DUPOINT BLVD
UNIT 5
GEORGETOWN, DE 19947

August 11, 2014

American Manufacturing
C/o Eric Valentine
E3 Environmental, LLC
2872 Deer Valley Road
Milford, DE 19963

RE: Approval of American Manufacturing's DBOX4, DBOX5, DBOX6, and DBOX7 & DBOXRISER.

Dear Mr. Valentine,

The Division of Water Resources has received and reviewed your request to approve American Manufacturing's DBOX4, DBOX5, DBOX6, and DBOX7 & DBOXRISER. We are pleased to inform you that we are able to **approve** the distribution boxes and the riser referenced above, provided that they are installed in accordance with the manufacturer's installation instructions and specific permit conditions.

If you have any other questions please contact me at 856-4561.

Sincerely,

A handwritten signature in blue ink, appearing to read "James Cassidy".

James Cassidy
Program Manager I
Ground Water Discharges Section

Cc: file

Delaware's good nature depends on you!

DISTRIBUTION BOXES



The American Distribution Box is made of high density polyethylene for years of rugged use. It's noncorrosive, light weight and strong for easy handling.

Inlet and outlet invert elevations are positioned to meet your needs and local codes.

Twist and lock 4" pipe seal and plug is easily installed and fits all 4" plastic pipe.

Leveling is easy with our patented Dial-A-Flow.

<u>ITEM</u>	<u>DESCRIPTION</u>
DBOX4	4 HOLE DIST. BOX ONLY
DBOX5	5 HOLE DIST. BOX ONLY
DBOX6	6 HOLE DIST. BOX ONLY
DBOX7	7 HOLE DIST. BOX ONLY
DBOXLID	DIST. BOX LID SOLID

BOX RISER

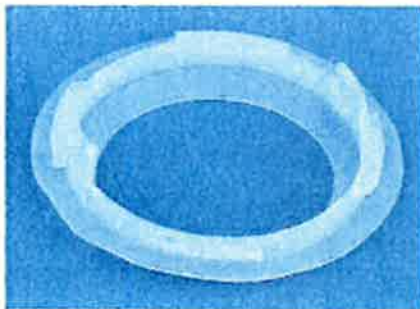


Our box riser is made of high density polyethylene and is easily assembled for installation. It can be provided as both gas and watertight. It also screws into the lower unit with s/s phillips head screws.

The 14" riser allows at-grade access to the Distribution/Dropbox for inspection and leveling with the anti-flotation adapter flange. An optional screw package securely fastens lid to prevent tampering.

<u>ITEM</u>	<u>DESCRIPTION</u>
DBOXRISER	DBOX EXT. W/ FLANGE & 8 SCREWS
DBOXRISERSL	DBOX EXT. W/ SEALED FLANGE
DBOXSCREW	#8 1-1/4" PHIL PAN SS ST SCREW
DBOXSPLITTER3	DBOX SPLITTER 3 HOLE

AMERICAN D'BOX SEALS

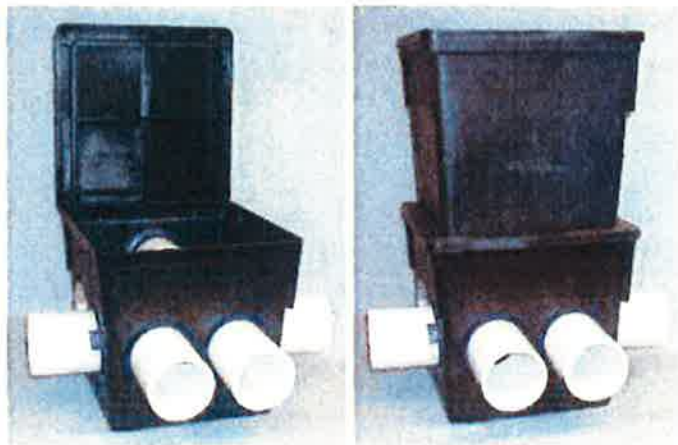


For standard installation instructions, reference the distribution box installation instruction sheet. Due to the



Home	About	Site Map	Order Info	Training Videos	Contact	Data Center
Drip Systems	Water/Wastewater	Controls	Products	Downloads	Design Guidance	

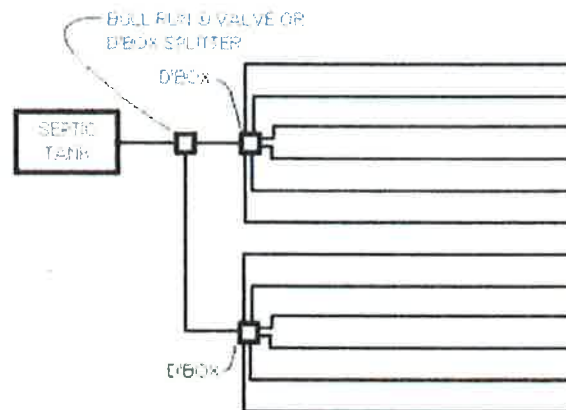
AMERICAN D'BOXES



INTRODUCING!

The New American Distribution/Drop Box

- High Density Polyethylene
- Light Weight
- Easy-Lock Seals
- Large Size To Meet All Codes
- Nested For UPS Shipment
- Available Up To 9 Holes
- Quick & Easy Installation



TYPICAL INSTALLATION WITH DISTRIBUTION BOXES

unique twice lock seal design, the seals may be easily adapted for increased head installations. Simply apply a mastic sealing compound to the surface of the seals. The normal turn and lock procedure to install the seal will provide enhanced sealing conditions.

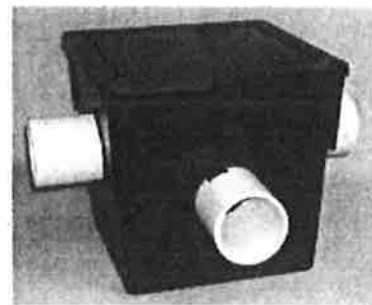
For smooth walled installation with increased head, select the proper seals for the box configuration. Place a bead of asphalt-based sealant where the seal lip contacts the box. Insert seals in box, turn and lock each seal.

For corrugated pipe installation with increased head, select the proper seals for the box configuration. Place a bead of asphalt-based sealant where the seal lip contacts the box. Insert seals in box, turn and lock each seal. Cut corrugated pipe to receive dial-a-flow. Compress first three corrugations of pipe and insert pipe into box seal. Lock pipe in seal at first corrugation. Expand pipe again to original shape. Place a bead of sealant around the pipe and seal connection and wipe around pipe w/ finger.

<u>ITEM</u>	<u>DESCRIPTION</u>
DBOXPLUG	DIST. BOX PLUG 4"
DBOXSEALBLUE	DBOX SEAL BLUE
DBOXSEALCLEAR	DBOX SEAL CLEAR

DROP BOX

Drop (serial distribution) box inlet and outlet are positioned to meet local code requirements. Leveling or flow control can be done with the American Dial-A-Flow.

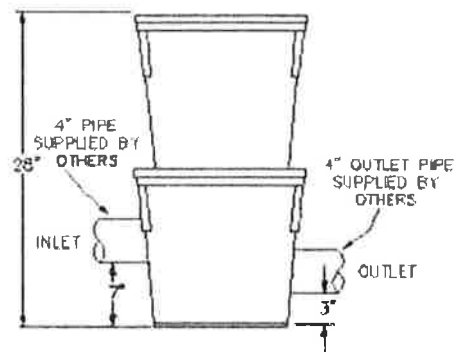


<u>ITEM</u>	<u>DESCRIPTION</u>
DROPBOX4	DIST. DROPBOX 4 SEALS, 1 PLUG

GRADE ACCESS BOXES

SAMPLING CONTAINER

The American sampling container provides a simple non-corrosive method to sample wastewater. The container has inlet and outlet seals with 4" separation to allow uncontaminated sampling. This grade level box has an anti-flotation collar and a sealed and securable lid for odor control and safety.

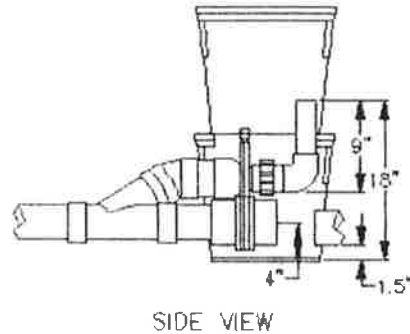
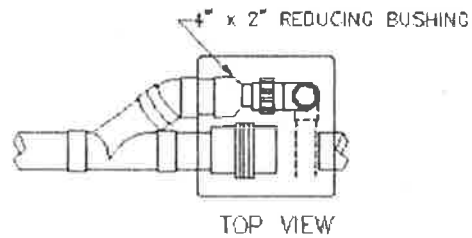


WETLAND OUTLET BOX

The wetland outlet box shall be constructed of non-corrosive high density polyethylene plastic. The box shall be a minimum bottom dimension of 12" X 12" and be 28" tall. The box shall be supplied with fittings to provide a 9" nominal adjustable water level from a maximum wetland depth of 16" and a minimum depth of 6".

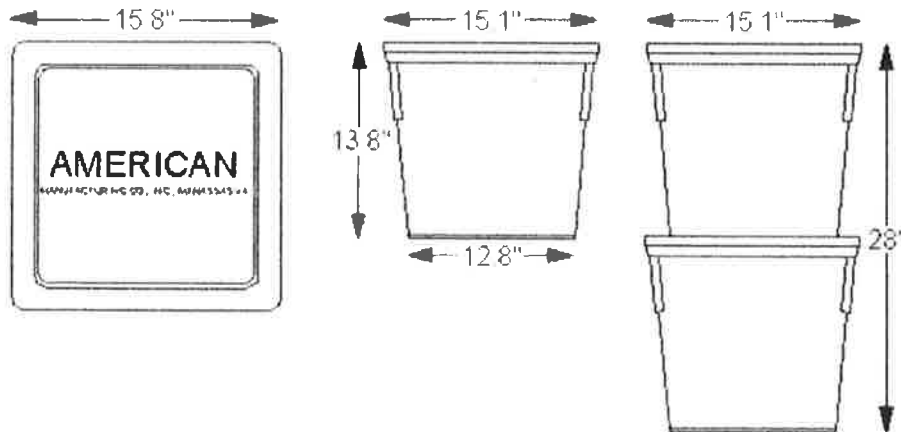
WETLAND LINER

The wetland liner shall be composed of a 20 and 30 mil PVC material of the size required to cover the bottom of the wetland plus the side walls and an overlap of 3 feet for backfill securing cover.



ITEM	DESCRIPTION
DBOXSAMPLER30	DBOX SAMPLER BOX W/ RISER
WETLANDBOX	WETLAND OUTLET BOX
WETLANDBOXV	OUTLET BOX W/ 4" SLIDE GATE
LINERBOOT2	LINER BOOT 2"
LINERBOOT3	LINER BOOT 3"
LINERBOOT4	LINER BOOT 4"
PVCLINER20MIL	PVC FILTER LINER 20 MIL/FT
PVCLINER30MIL	PVC FILTER LINER 30 MIL/FT

**INSTALLATION INSTRUCTIONS
DISTRIBUTION BOXES & D'BOX SEALS**



DISTRIBUTION BOX INSTALLATION INSTRUCTIONS AND SPECIFICATIONS:

Provide high density polyethylene drop, or distribution box with holes punched suitable to receive locking seals. The box shall be strong, non-corrosive, lightweight and easily installed

The box shall be of the dimensions shown and as manufactured by American Manufacturing Co., Inc. Manassas, Va.

INSTALLATION INSTRUCTIONS

1. Excavate trench bottoms for the inlet and outlet pipe elevations suitable to meet invert and grade elevations.
2. Hand excavate a square hole just large enough to receive the box and place pipe inverts at proper elevations.
3. Install seals and pipes.
4. Backfill to top of box.
5. Inspect and backfill to grade.

GRAVEL BACKFILL

1. Hand backfill with gravel to top of box.
2. Make sure lid is on box and backfill to grade with available dirt.

COMPACTABLE BACKFILL

1. Hand backfill to top of box in two layers.
2. Tamp each layer starting 8" away from box making sure you don't create excessive deflection in box sidewall.
3. Make sure lid is on box and backfill to grade with available dirt.

LOCKING SEALS INSTALLATION INSTRUCTIONS AND SPECIFICATIONS:

Provide a non-corrosive locking double sealing, low density polyethylene seal suitable to receive the specified pipe. The seal shall rotateably lock at four locations and be provided with at least two turning ears.

SMOOTH WALL PIPE

1. Select the proper seals for the box configuration.
2. Insert seals in box, turn and lock each seal.
3. Place box in hole and insert pipe at least 1" inside box.

CORRUGATED PIPE

1. Select the proper seals for the box configuration.
2. Insert seals in box, turn and lock each seal.
3. Place box in hole and insert pipe at least 1" inside box.
4. Cut corrugate pipe to receive dial-a-flow.
5. Compass first three corrugations of pipe and insert pipe into box seal and lock pipe in seal at first corrugation.
6. Expand pipe again to original shape.

AMERICAN MANUFACTURING COMPANY, INC.

Last revised: Mar-1-2011

Comments to: info@americanonsite.com

Copyright © American Manufacturing Company, Inc., 2000

[HOME](#) | [ABOUT](#) | [ORDER INFO](#) | [PRODUCTS](#) | [DRIP SYSTEMS](#) | [CONTROLS](#) | [CONTACT](#) | [DATA CENTER](#) | [SITE MAP](#)

Jim

Do I need to do a product approval for the American Dbox with riser. Also did you approve the aDelta Environmental Products ecoFilter Pump Vault Systems?

Thanks,

Hilary

Hilary Valentine

Department Chair

Environmental Training Center

21179 College Drive

Georgetown, DE 19947

p.302-259-6384

f.302-259-6762

www.dtcc.edu/owens/ccp