

Description

Model 4000 Series AutoGun

The Model 4090 AutoGun is a multifunction, versatile meter reading device. The AutoGun provides fully automated on-site electronic meter interrogation from TouchRead® System equipped meters. It is designed as a visual reading interrogation device or can be connected to a Sensus AutoRead HandHeld Device (AR5501, AR5502) or a number of other handheld electronic meter reading collection and data storage devices for reading Sensus and other meter register encoders.



Features

CONSTRUCTION

The AutoGun is ergonomically designed and is housed in a weather resistant molded case. Surface mounted circuitry in the specially designed watertight case allows the AutoGun to be used in rugged field conditions over a wide range of temperatures.

ERGONOMIC DESIGN

The AutoGun's ergonomic design provides a well-balanced, easy-to-handle unit. This design provides the end user both ease and comfort during both short and long reading cycles.

WIRELESS COMMUNICATIONS

The AutoGun has a low power RF link to communicate to the AR5501. This link transfers meter readings to the AutoRead HandHeld Device without the use of awkward cables.

COMMUNICATION PORT

The AutoGun also has a communications port to allow communication with other devices.

FIELD CONVERTIBLE PITPROBE EXTENSION

With the PitProbe extension accessory, the AutoGun can be easily converted to read meters in underground pits and vaults while avoiding back or leg strain.

DISPLAY

The AutoGun display is a graphical Liquid Crystal Display LCD that allows readings, identification numbers, and error messages to be displayed.

For ease of viewing, the contrast value of the LCD automatically adjusts based on the ambient temperature.

A low battery icon allows the user to prepare for an automatic shutdown.

AUTOGUN MENU

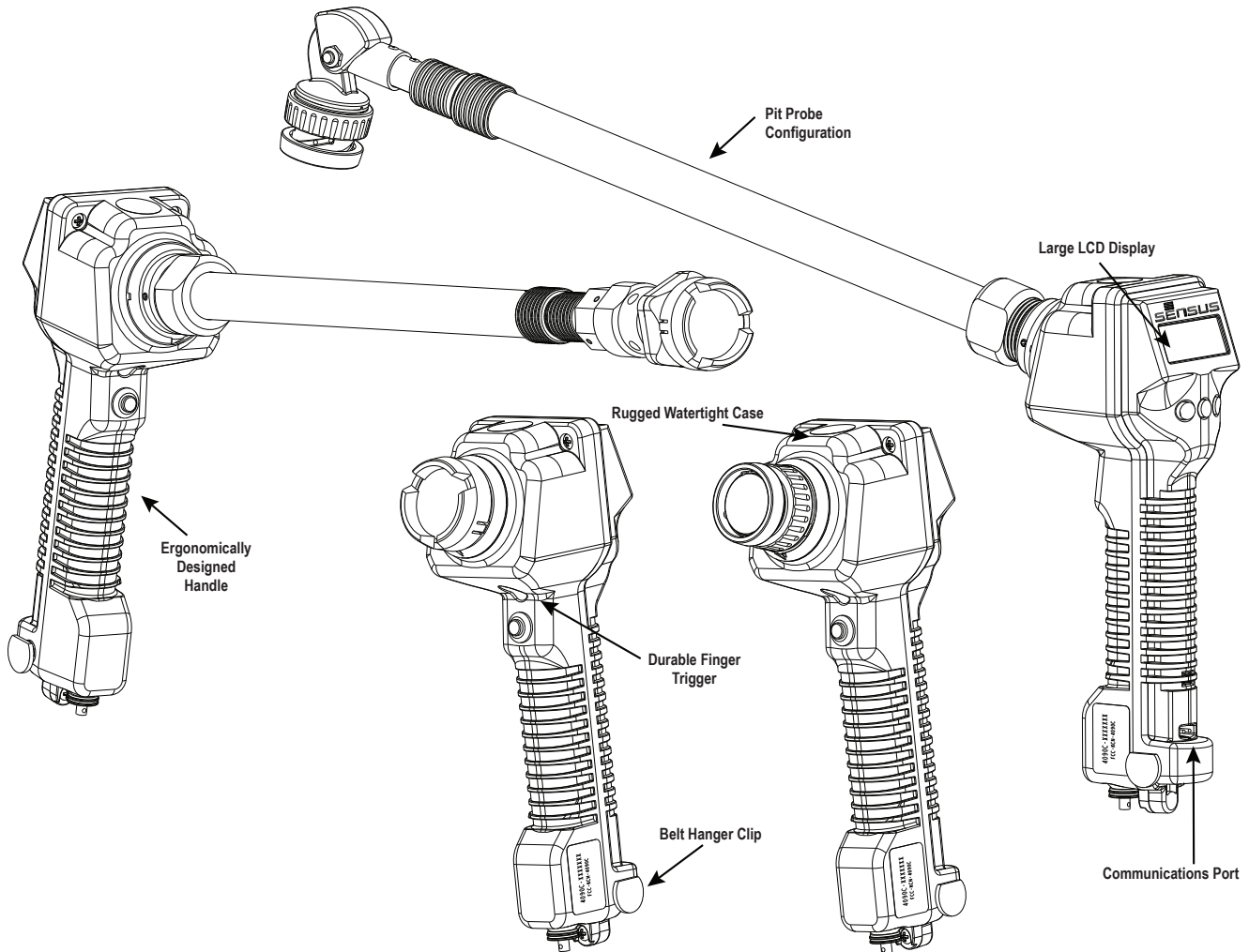
The AutoGun is menu driven, enabling it to be configured for individual use. The menu setup allows the user to select communications, meter type, and reading type.



AutoGun touchgun or AutoGun with PitProbe extension can be used as a stand-alone unit for obtaining visual readings from Sensus encoders.

SPECIFICATIONS

SERVICE	The AutoGun can be used as a stand-alone unit to read and store up to 99 electronic readings, or as a mated device that interrogates, encodes and sends data to an AutoRead Hand-Held Device which collects and stores it in memory.
PHYSICAL CHARACTERISTICS	Ergonomically molded gray case with slip-resistant grip.
DIMENSIONS	10" (254) L x 3" (76.2) H x 4.75" (120.7) W
WEIGHT	AutoGun= 0.85 lb. [879 grams] PitProbe Extension= 0.50 lb. [992 grams]
DISPLAY	4 lines x 16 character graphical LCD display
POWER SUPPLY	Rechargeable NiCad battery
HOUSING	Tested to withstand being dropped on any surface from a four-foot height without damage. Tested to withstand three feet of water immersion.
READING COMPATIBILITY	Able to read Sensus Encoders, Sensus MultiRead® Modules, and Schlumberger Proread (ARB VI) encoders. Contact Sensus for additional reading options.
CHARGING	AR5005/AR5006 or Wall Mount Unit



© All products purchased and services performed are subject to Sensus' terms of sale, available at either <http://na.sensus.com/TC/TermsConditions.pdf> or 1-800-638-3748. Sensus reserves the right to modify these terms and conditions in its own discretion without notice to the customer.

This document is for informational purposes only.