



# RGTA

Parts List  
21-November-2015



*This parts list is current as of the above revision date.  
See <http://www.rheempartslists.net/92-42800-RGTA.pdf> for the current revision.*

**90% Gas Furnaces**

# Table of Contents

Model Explanation .....	Page 3
<b>Parts Numbers</b>	
Panels - Miscellaneous (1) .....	Page 4
Panels - Miscellaneous (2) .....	Page 5
Electrical Group .....	Page 6
Blower Group .....	Page 6
Heat Exchanger-Burner Group .....	Page 7
Gas Controls .....	Page 8
Orifice Selection Chart .....	Page 9
<b>Drawings/Photographs</b>	
Exploded View .....	Page 10
Horizontal Installation .....	Page 11
Blower Assembly .....	Page 12
Burner Assembly .....	Page 13
Base Pan Gasket .....	Page 14
Notes/Disclaimer .....	Page 15

**MODEL NUMBER EXPLANATION**

<b>R</b>	<b>G</b>	<b>T</b>	<b>A</b>	<b>-</b>	<b>0</b>	<b>4</b>	<b>E</b>	<b>M</b>	<b>A</b>	<b>E</b>	<b>S</b>
(1)	(2)	(3)	(4)			(5)		(6)	(7)	(8)	(9)

- |   |  |
|---|--|
| <p><b>(1) TRADEBRAND IDENTIFICATION</b></p> <p><b>(2) MODEL</b><br/>G = Gas Furnace</p> <p><b>(3) TYPE</b><br/>T = Downflow/Horizontal Condensing</p> <p><b>(4) DESIGN SERIES</b></p> <p><b>(5) HEATING INPUT DESIGNATION</b><br/>04 = 45,000 BTU/HR<br/>06 = 60,000 BTU/HR<br/>07 = 75,000 BTU/HR<br/>09 = 90,000 BTU/HR<br/>10 = 105,000 BTU/HR<br/>12 = 120,000 BTU/HR</p> <p>E = Electric<br/>N = NOX</p> | <p><b>(6) BLOWER DESIGNATION</b><br/>M = 11 x 7<br/>R = 11 x 10<br/>Y = 12 x 7<br/>Z = 12 x 11</p> <p><b>(7) VARIATIONS</b><br/>A = Standard<br/>B = Wide Cabinet</p> <p><b>(8) AIRFLOW</b><br/>E = 1100 - 1300 CFM<br/>G = 1500 - 1700 CFM<br/>J = 1900 - 2100 CFM</p> <p><b>(9) FUEL DESIGNATION</b><br/>B = Canadian Furnace - Natural Gas<br/>S = U.S. Furnace - Natural Gas</p> |
|---|--|

**SERIAL NUMBER EXPLANATION**

<b>D</b>	<b>G</b>	<b>5</b>	<b>D</b>	<b>7</b>	<b>0</b>	<b>7</b>	<b>F</b>	<b>3</b>	<b>1</b>	<b>9</b>	<b>5</b>	<b>9</b>	<b>9</b>	<b>9</b>	<b>9</b>
(1)	(2)	(3)	(4)	(5)	(6)	(7)	(8)	(9)				(10)			

- |   |  |
|---|--|
| <p><b>(1) GAS CONTROL</b></p> <p><b>(2) LIMIT CONTROL</b></p> <p><b>(3) BLOWER</b></p> <p><b>(4) HEATING ELEMENT</b></p> <p><b>(5) SPECIAL AREA REQUIREMENT</b></p> | <p><b>(6) MOTOR HORSEPOWER</b></p> <p><b>(7) PLANT</b><br/>F = Fort Smith, AR</p> <p><b>(8) WEEK</b></p> <p><b>(9) YEAR</b></p> <p><b>(10) PRODUCTION NUMBER</b></p> |
|---|--|

No.	Notes	MODEL HEATING CAPACITY BLOWER DESIGNATION VARIATION AIRFLOW	RGTA	RGTA	RGTA	RGTA	RGTA	RGTA	RGTA
			04 M A E	06 M A E	07 M A E	07 Y B G	09 Z A J	10 Z A J	12 R A J
<b>PANELS, SHEET METAL, MISCELLANEOUS</b>									
1		Blower/Filter Door (Neutra Green)	AS-61908-03	AS-61908-03	AS-61908-03	AS-61909-03	AS-61909-03	AS-61909-03	AS-61910-03
1		Blower/Filter Door (Granite/Steel Gray)	AS-61908-04	AS-61908-04	AS-61908-04	AS-61909-04	AS-61909-04	AS-61909-04	AS-61910-04
2		Burner Compartment Door (Neutra Green)	AS-61905-01	AS-61905-01	AS-61905-01	AS-61906-01	AS-61906-01	AS-61906-01	AS-61907-01
2		Burner Compartment Door (Granite/Steel Gray)	AS-61905-03	AS-61905-03	AS-61905-03	AS-61906-02	AS-61906-02	AS-61906-02	AS-61907-02
3		Induced Draft Blower w/Gasket	See Electrical Group						
5		Connector/Transition	68-24047-10	68-24047-10	68-24047-10	68-24047-11	68-24047-11	68-24047-11	68-24047-12
6		Clear Vinyl Tube (Connector/Transition - Trap)	68-24131-01	68-24131-01	68-24131-01	68-24131-01	68-24131-01	68-24131-01	68-24131-01
7		Elbow/Trap Assembly	68-24048-01	68-24048-01	68-24048-01	68-24048-01	68-24048-01	68-24048-01	68-24048-01
8		Water Trap Mount Bracket	AE-61841-01	AE-61841-01	AE-61841-01	AE-61841-01	AE-61841-01	AE-61841-01	AE-61841-01
9		Hose Clamps (4)	64-22043-03	64-22043-03	64-22043-03	64-22043-03	64-22043-03	64-22043-03	64-22043-03
10		Drain Tube	68-24026-03	68-24026-03	68-24026-03	68-24026-03	68-24026-03	68-24026-03	68-24026-03
18		Limit - Main Limit (Heat Exchanger Panel)	See Electrical Group						
19		Heat Exchanger Assembly	See Heat Exchanger Group						
25		Silicon Tubing - Pressure Switch	AE-61737-27	AE-61737-27	AE-61737-27	AE-61737-27	AE-61737-27	AE-61737-27	AE-61737-27
26		Pressure Switch	See Electrical Group						
27		Plug Button - 1-5/8 in. opening	45-22980-02	45-22980-02	45-22980-02	45-22980-02	45-22980-02	45-22980-02	45-22980-02
27		Plug Button - 2-3/8 in. opening	45-22980-03	45-22980-03	45-22980-03	45-22980-03	45-22980-03	45-22980-03	45-22980-03
27		Plug Button - 2 in. opening	45-22980-08	45-22980-08	45-22980-08	45-22980-08	45-22980-08	45-22980-08	45-22980-08
28		Door Angle	AS-67847-01	AS-67847-01	AS-67847-01	AS-67847-02	AS-67847-02	AS-67847-02	AS-67847-03
29		Grommet (1-5/8 in. opening)	56-22114-01	56-22114-01	56-22114-01	56-22114-01	56-22114-01	56-22114-01	56-22114-01
29		Grommet (2 in. opening)	56-22114-06	56-22114-06	56-22114-06	56-22114-06	56-22114-06	56-22114-06	56-22114-06
30		Outlet Pipe Gasket	68-24022-02	68-24022-02	68-24022-02	68-24022-02	68-24022-02	68-24022-02	68-24022-02
31		Outlet Pipe Assembly	68-24150-01	68-24150-01	68-24150-01	68-24150-01	68-24150-01	68-24150-01	68-24150-02
32	4	Jacket (See Note 4)	N/A	N/A	N/A	N/A	N/A	N/A	N/A
33	1	Top Plate	AE-67805-02	AE-67805-02	AE-67805-02	AE-67805-03	AE-67805-03	AE-67805-03	AE-67805-04
	1	Gasket - Top Plate	68-102279-01	68-102279-01	68-102279-01	68-102279-02	68-102279-02	68-102279-02	68-102279-03
A		Gasket - Base Pan	AE-61871-01	AE-61871-01	AE-61871-01	AE-61871-02	AE-61871-02	AE-61871-02	AE-61871-03
34		Inlet Air Chase Assembly	AS-67848-01	AS-67848-01	AS-67848-01	AS-67848-01	AS-67848-01	AS-67848-01	AS-67848-01
35		Inlet Air Chase Gasket	68-24022-01	68-24022-01	68-24022-01	68-24022-01	68-24022-01	68-24022-01	68-24022-01
36		Plug Button - 1-5/8 in. opening	45-22980-02	45-22980-02	45-22980-02	45-22980-02	45-22980-02	45-22980-02	45-22980-02
36		Plug Button - 2-3/8 in. opening	45-22980-03	45-22980-03	45-22980-03	45-22980-03	45-22980-03	45-22980-03	45-22980-03
36		Plug Button - 2 in. opening	45-22980-08	45-22980-08	45-22980-08	45-22980-08	45-22980-08	45-22980-08	45-22980-08
37		Junction Box Cover	AE-61476-02	AE-61476-02	AE-61476-02	AE-61476-02	AE-61476-02	AE-61476-02	AE-61476-02
38		Junction Box	AE-67825-01	AE-67825-01	AE-67825-01	AE-67825-01	AE-67825-01	AE-67825-01	AE-67825-01
39		Door Switch	See Electrical Group						
44		Blower Assembly	See Blower Group						
		Filter - Plastic (2)	54-22699-01	54-22699-01	54-22699-01	54-22699-01	54-22699-01	54-22699-01	54-22699-02
		Filter Rack	AE-66681-01	AE-66681-01	AE-66681-01	AE-66681-01	AE-66681-01	AE-66681-01	AE-66681-01
		Touch-up Paint - Platinum (Aerosol)	523012	523012	523012	523012	523012	523012	523012
		Touch-up Paint - Platinum (Paint Pens)	523013	523013	523013	523013	523013	523013	523013
		Touch-up Paint - Green (Aerosol)	52-18662-48	52-18662-48	52-18662-48	52-18662-48	52-18662-48	52-18662-48	52-18662-48
		Touch-up Paint - Green (Paint Pens)	523010	523010	523010	523010	523010	523010	523010
		Touch-up Paint - Granite/Steel Gray (Aerosol)	PD523018	PD523018	PD523018	PD523018	PD523018	PD523018	PD523018
		Touch-up Paint - Granite/Steel Gray (Paint Pen)	PD523019	PD523019	PD523019	PD523019	PD523019	PD523019	PD523019

No.	Notes	MODEL HEATING CAPACITY BLOWER DESIGNATION VARIATION HEAT/COOL DESIGNATION	RGTA ALL ALL ALL ALL						
<b>HORIZONTAL INSTALLATION PARTS</b>									
9		Hose Clamps (4)	64-22043-03						
10a		Drain Elbow (Trap Assembly to Collector Box)	79-102882-01						
11		Elbow (Connector/Transition to Trap Assembly)	68-24121-01						
12		Trap Assembly - After F3906	68-24120-02						
12		Trap Assembly - Before F3906	68-24120-01						
13		Trap Gasket	68-24123-01						
14		Hole Plugs (2)	45-24125-01						
		Pipe - 24 in. X .840 in. OD - Before F3906	68-24085-01						

No.	Notes	MODEL HEATING CAPACITY BLOWER DESIGNATION VARIATION AIRFLOW	RGTA ALL ALL ALL ALL						
<b>PARTS BAG</b>									
		<b>Effectivity Date:</b>	<b>Before F3906</b>						
		Complete Parts Bag	AS-21820-17						
		Hose Clamp (2)	64-22043-01						
		Hose Clamp (2)	64-22043-02						
11		Elbow	68-24121-01						
12		Trap Assembly	68-24120-01						
13		Trap Gasket	68-24123-01						
14		Hole Plugs (2)	45-24125-01						
		1/2 in. Tee	68-21980-02						
		1/2 in. PVC Pipe - 4 in.	68-22024-04						
		PVC Vane	68-23473-01						
		PVC Wind Vane	68-24049-01						
		Screw - #6-20 x 1/2 in. (2)	63-22153-04						

No.	Notes	MODEL HEATING CAPACITY BLOWER DESIGNATION VARIATION AIRFLOW	RGTA ALL ALL ALL ALL						
<b>PARTS BAG</b>									
		<b>Effectivity Date:</b>	<b>After F3906</b>						
		Complete Parts Bag	AS-100717-03						
		1/2 in. PVC Pipe - 4 in.	68-22024-04						
		1/2 in. Tee	68-21980-02						
		PVC Vane (2-13/32 in. x 1 in.)	68-23473-01						
		PVC Wind Vane (2-7/8 in. x 1 in.)	68-24049-01						
5		Drain Tube - 6.75 in. (See Note 5)	68-24026-04						
11		Elbow	68-24121-01						
		Hose Clamp - 5/8 in. (2)	64-22043-01						
12		Trap Assembly	68-24120-02						
13		Trap Gasket	68-24123-01						
14		Hole Plug (2)	45-24125-01						
		Button Plug with Recessed Type Head (2 in. hole)	45-22980-08						
		Vinyl Grommet - 1-5/8 in. hole (for 7/8 in. OD Pipe)	56-22114-01						
		Nylon Plug - 7/8 in. (2)	45-22926-01						
		Nylon Plug - 1-1/8 in.	45-22926-02						
		Pipe - 24 in.	68-24085-01						
		Screw - #6-20 x 1/2	63-22153-04						
		PVC Vane (3-1/2 in. x 1-3/8 in.)	68-103677-01						

No.	Notes	MODEL HEATING CAPACITY BLOWER DESIGNATION VARIATION AIRFLOW	RGTA	RGTA	RGTA	RGTA	RGTA	RGTA	RGTA
			04 M A E	06 M A E	07 M A E	07 Y B G	09 Z A J	10 Z A J	12 R A J
<b>ELECTRIC GROUP</b>									
3	Stk	Induced Draft Blower w/Gasket	70-24033-01	70-24033-01	70-24033-01	70-24033-01	70-24033-01	70-24033-01	70-24033-01
18	Stk	Limit - Main Limit (Heat Exchanger Panel)	47-25350-09	47-25350-07	47-25350-01	47-25350-09	47-25350-10	47-25350-06	47-25350-06
	Stk, 3	Limit - Manual Reset (Heat Exchanger Panel) - See Note 3	47-22861-04	47-22861-04	47-22861-04	47-22861-04	47-22861-04	47-22861-04	47-22861-04
26	Stk	Pressure Switch	42-24012-01	42-24012-05	42-24012-01	42-24012-01	42-24012-05	42-24012-04	42-24012-03
26	Stk	Pressure Switch (Option 278)	42-101956-03	42-101956-03	42-101956-06	42-101956-06	42-101956-03	42-101956-07	42-101956-05
39		Door Switch - Push Button	42-22692-02	42-22692-02	42-22692-02	42-22692-02	42-22692-02	42-22692-02	42-22692-02
49	Stk	Transformer w/Fuse	46-24124-03	46-24124-03	46-24124-03	46-24124-03	46-24124-03	46-24124-03	46-24124-03
51		Integrated Furnace Control Board (IFC)	See Gas Controls						
52	Stk	Capacitor - Induced Draft Blower	43-100496-44	43-100496-44	43-100496-44	43-100496-44	43-100496-44	43-100496-44	43-100496-44
53		Capacitor - Blower Motor	See Blower Group						
54	Stk	Limit - Heat Assisted ( Blower Housing)	47-22860-02	47-22860-02	47-22860-01	47-22860-02	47-22860-02	47-22860-05	47-22860-03
61	Stk	Limit - Manual Reset (Burner Compartment)	47-22861-02 (1)	47-22861-02 (1)	47-22861-02 (2)	47-22861-02 (2)	47-22861-02 (2)	47-22861-02 (2)	47-22861-02 (2)
		Wiring Harness - 4 pin to 2 ring terminals/1 straight terminal/1 strip back	45-24371-41	45-24371-41	45-24371-41	45-24371-41	45-24371-41	45-24371-41	45-24371-41
		Direct Spark Wiring Harness - 9 pin from board to 9 pin and 4 pin	45-24371-28	45-24371-28	45-24371-28	45-24371-28	45-24371-28	45-24371-28	45-24371-28
		Direct Spark Ignition Wiring Harness - 9 pin to 8 terminals and 6 pin to 4 pin - Before F1702	45-24090-05	45-24090-05	45-24090-05	45-24090-05	45-24090-05	45-24090-05	45-24090-05
		Twist Lock - Direct Spark Ignition Wiring Harness - 9 pin to 8 terminals and 6 pin to 4 pin - After F1702	45-24393-02	45-24393-02	45-24393-02	45-24393-02	45-24393-02	45-24393-02	45-24393-02
		Hot Surface Ignition Wiring Harness - 9 pin to 8 terminals and 6 pin to (4 pin and 2 pin) - Before F1702	45-24090-04	45-24090-04	45-24090-04	45-24090-04	45-24090-04	45-24090-04	45-24090-04
		Twist Lock - Hot Surface Ignition Wiring Harness - 9 pin to 8 terminals and 6 pin to (4 pin and 2 pin) - After F1702	45-24393-04	45-24393-04	45-24393-04	45-24393-04	45-24393-04	45-24393-04	45-24393-04
		Direct Spark Ignition Wiring Harness - 2 pin from board to 6 pin, (3 terminals off 6 pin, 1 terminal off 2 pin) - Downflow Models w/HALC	45-24371-29	45-24371-29	45-24371-29	45-24371-29	45-24371-29	45-24371-29	45-24371-29
		Direct Spark Ignition Wiring Harness - 2 pin from board to 6 pin, (2 terminals off 6 pin) - Upflow Models	AS-61997-28	AS-61997-28	AS-61997-28	AS-61997-28	AS-61997-28	AS-61997-28	AS-61997-28
		Hot Surface Ignition Wiring Harness - 9 pin from board to (9 pin and 4 pin)	AS-61702-05	AS-61702-05	AS-61702-05	AS-61702-05	AS-61702-05	AS-61702-05	AS-61702-05
		Hot Surface Wiring Harness - 6 pin from board to 6 pin with 2 flag terminals	AS-61703-04	AS-61703-04	AS-61703-04	AS-61703-04	AS-61703-04	AS-61703-04	AS-61703-04

No.	Notes	MODEL HEATING CAPACITY BLOWER DESIGNATION VARIATION AIRFLOW	RGTA	RGTA	RGTA	RGTA	RGTA	RGTA	RGTA
			04 M A E	06 M A E	07 M A E	07 Y B G	09 Z A J	10 Z A J	12 R A J
<b>BLOWER GROUP</b>									
44	Stk	Blower Assembly (Includes items 45-48, 53)	AS-61697-38	AS-61697-38	AS-61697-38	AS-61697-39	AS-61697-40	AS-61697-40	AS-61697-41
45		Motor Mount Leg (4)	AE-61698-02	AE-61698-02	AE-61698-02	AE-61698-02	AE-61698-02	AE-61698-02	AE-61698-02
46	Stk	Blower Motor	51-24042-01	51-24042-01	51-24042-01	51-26192-01	51-26192-01	51-26192-01	51-26192-01
47		Housing	AS-61674-14	AS-61674-14	AS-61674-14	AS-61674-14	AS-61674-15	AS-61674-15	AS-61674-16
48	Stk	Blower Wheel	70-22688-01	70-22688-01	70-22688-01	70-24119-01	70-24041-01	70-24041-01	70-20602-01
49		Transformer w/Fuse	See Electrical Group						
50		Control Mounting Plate	AE-67877-01	AE-67877-01	AE-67877-01	AE-67877-01	AE-67877-01	AE-67877-01	AE-67877-01
51		Integrated Furnace Control Board (IFC)	See Gas Controls						
52		Capacitor - Induced Draft Blower	See Electrical Group						
53	Stk	Capacitor - Blower Motor	43-21298-42	43-21298-42	43-21298-42	43-21298-43	43-21298-43	43-21298-43	43-21298-43
54		Limit Control w/Heater	See Electrical Group						

No.	Notes	MODEL HEATING CAPACITY BLOWER DESIGNATION VARIATION AIRFLOW	RGTA	RGTA	RGTA	RGTA	RGTA	RGTA	RGTA
			04 M A E	06 M A E	07 M A E	07 Y B G	09 Z A J	10 Z A J	12 R A J
<b>HEAT EXCHANGER, BURNER / MANIFOLD</b>									
3		Induced Draft Blower w/Gasket	See Electrical Group						
18		Limit - Main Limit (Heat Exchanger Panel)	See Electrical Group						
19	Stk	Heat Exchanger	AS-67834-08	AS-67834-09	AS-67834-10	AS-67834-12	AS-67834-11	AS-67834-13	AS-67834-14
20		Baffle	AE-61876-01	AE-61875-01	AE-61875-01	AE-61876-01	AE-61875-01	AE-61875-01	AE-61875-01
21		Rear Baffle	AE-61878-01	AE-61878-01	AE-61878-01	AE-61878-02	AE-61878-02	AE-61878-02	AE-61878-03
22		Baffle	AE-61876-02	AE-61875-02	AE-61876-02	AE-61876-02	AE-61875-02	AE-61875-02	AE-61875-02
23		Heat Exchanger Bracket	AE-67846-02	AE-67846-02	AE-67846-02	AE-67846-02	AE-67846-02	AE-67846-02	AE-67846-02
24		Heat Exchanger Bracket	AE-61959-01	AE-61959-01	AE-61959-01	AE-61959-01	AE-61959-01	AE-61959-01	AE-61959-01
55	Stk	Burners - Before F1799	75-24001-01 (3)	75-24001-01 (4)	75-24001-01 (5)	75-24001-01 (5)	75-24001-01 (6)	75-24001-01 (7)	75-24001-01 (8)
55	Stk	Burners - After F1799	AS-61984-03	AS-61984-04	AS-61984-05	AS-61984-05	AS-61984-06	AS-61984-07	AS-61984-08
		NOX Burner Inserts	AE-67863-01 (2)	AE-67863-01 (3)	AE-67863-01 (4)	AE-67863-01 (4)	AE-67863-01 (5)	AE-67863-01 (6)	AE-67863-01 (7)
		NOX Retaining Bracket	AE-67864-06	AE-67864-01	AE-67864-02	AE-67864-02	AE-67864-03	AE-67864-04	AE-67864-05
56		Burner Support Bracket (2)	AE-61808-01	AE-61808-01	AE-61808-01	AE-61808-01	AE-61808-01	AE-61808-01	AE-61808-01
57		Burner Support - Before F1799	AE-61809-01	AE-61809-02	AE-61809-03	AE-61809-03	AE-61809-04	AE-61809-05	AE-61809-06
57		Burner Support - After F1799	AE-61809-11	AE-61809-12	AE-61809-13	AE-61809-13	AE-61809-14	AE-61809-15	AE-61809-16
59	Stk	Manifold (w/o Orifices) - Before F1906	81-101151-01	81-101151-02	81-101151-03	81-101151-03	81-101151-04	81-101151-05	81-101151-06
59	Stk	Manifold (w/o Orifices) - After F1906	81-24396-01	81-24396-02	81-24396-03	81-24396-03	81-24396-04	81-24396-05	81-24396-06
61		Limit - Manual Reset (Burner Compartment)	See Electrical Group						
62		Flame Sensor	See Gas Controls						
63	Stk	Ignitor - Direct Spark	62-24141-04	62-24141-04	62-24141-04	62-24141-04	62-24141-04	62-24141-04	62-24141-04
64		Burner Orifice - Natural Gas	See Orifice Selection Chart						
64		Burner Orifice - LP	See Orifice Selection Chart						
		Number of Orifices	(3)	(4)	(5)	(5)	(6)	(7)	(8)
65		Gas Valve	See Gas Controls						
66		Ignitor Shield - Hot Surface Ignition	AE-61627-01	AE-61627-01	AE-61627-01	AE-61627-01	AE-61627-01	AE-61627-01	AE-61627-01
67	Stk	Ignitor - Hot Surface Ignition	62-22868-02	62-22868-02	62-22868-02	62-22868-02	62-22868-02	62-22868-02	62-22868-02
68		Ignitor Bracket - Hot Surface Ignition	AE-61581-01	AE-61581-01	AE-61581-01	AE-61581-01	AE-61581-01	AE-61581-01	AE-61581-01
		Bracket - Flame Roll-out (On Center Panel)	AE-61600-02	AE-61600-02	AE-61600-02	AE-61600-02	AE-61600-02	AE-61600-02	AE-61600-02
		Direct Spark Igniter Bracket - Before F0502	AE-61885-01	AE-61885-01	AE-61885-01	AE-61885-01	AE-61885-01	AE-61885-01	AE-61885-01
		Direct Spark Igniter Bracket - After F0502	AE-61885-02	AE-61885-02	AE-61885-02	AE-61885-02	AE-61885-02	AE-61885-02	AE-61885-02

No.	Notes	MODEL GAS CODE	RGTA DC	RGTA DF	RGTA DG	RGTA DH
<b>GAS CONTROLS</b>						
51	Stk	Integrated Furnace Control Board (IFC)	62-24044-01	62-24084-01	62-24084-02	62-24044-01
62	Stk	Flame Sensor	62-23543-01	62-23543-01	62-23543-01	62-23543-01
67		Ignitor	See Heat Exchanger Group			
65	Stk,2	Gas Valve - Natural Gas	60-22866-01	60-22866-01	60-23490-01	60-23490-01
65	Stk	Gas Valve - LP	See Note 2	See Note 2	See Note 2	See Note 2
		Wiring Harnesses	See Electrical Group			
	Stk	LP Conversion Kit - U.S. Models	FP-02	FP-02	FP-02	FP-02
	Stk	LP Conversion Kit - Canadian Models	FP-05	FP-05	FP-05	FP-05

No.	Notes	MODEL GAS CODE	RGTA EH	RGTA EJ	RGTA EK	RGTA EL
<b>GAS CONTROLS</b>						
51	Stk	Integrated Furnace Control Board (IFC)	62-24136-03	62-24140-04	62-24136-03	62-24140-04
62	Stk	Flame Sensor	62-23543-01	62-23543-01	62-23543-01	62-23543-01
63		Ignitor	See Heat Exchanger Group			
65	Stk,2	Gas Valve - Natural Gas	60-22866-01	60-22866-01	60-23490-01	60-23490-01
65	Stk	Gas Valve - LP	See Note 2	See Note 2	See Note 2	See Note 2
		Wiring Harnesses	See Electrical Group			
	Stk	LP Conversion Kit - U.S. Models	FP-02	FP-02	FP-02	FP-02
	Stk	LP Conversion Kit - Canadian Models	FP-05	FP-05	FP-05	FP-05

No.	Notes	MODEL GAS CODE	RGTA FY	RGTA FZ		
<b>GAS CONTROLS</b>						
51	Stk	Integrated Furnace Control Board (IFC)	62-24140-04	62-24136-03		
62	Stk	Flame Sensor	62-23543-01	62-23543-01		
63		Ignitor	See Heat Exchanger Group			
65	Stk,2	Gas Valve - Natural Gas	60-100394-02	60-100394-01		
65	Stk	Gas Valve - LP	See Note 2	See Note 2		
		Wiring Harnesses	See Electrical Group			
	Stk	LP Conversion Kit - U.S. Models	FP-02	FP-02		
	Stk	LP Conversion Kit - Canadian Models	FP-02	FP-05		



**90% GAS FURNACE - ORIFICE SELECTION CHART - NATURAL GAS**

**CAUTION:** Selection of the correct Natural Gas Orifice requires the following information for the specific installation:

- 1) Altitude in of the installation (ft.).
- 2) Average energy content of the Natural Gas fuel from the local supplier (BTU/cu. ft.).

For detailed information and instructions for Orifice selection, see the Gas Furnace LP Conversion Kit Index 92-21519-59 and the latest edition of the National Fuel Gas Code Handbook, or the National Standard of Canada, Natural Gas and Propane Installation Code, CAN B149.1.

**CAUTION:** This information is provided for replacement purposes only. Conversion for operation at High Altitude must be done using the kit specified on the product specification sheet for the unit.

NOTE: This Orifice sizing chart is based on 15,000 BTU/HR per burner.

NOTE: Factory installed orifices are calculated and sized based on a Natural Gas heating value of 1075 BTU/cu. ft. and an elevation of 0 - 2000 ft.

Energy Value (BTU/cu. ft.)	Elevation (ft.)							
	0 - 1999	2000 - 2999	3000 - 3999	4000 - 4999	5000 - 5999	6000 - 6999	7000 - 7999	8000 - 8999
<b>850</b>	62-22175-47	62-22175-48	62-22175-48	62-22175-49	62-22175-49	62-22175-49	62-22175-50	62-22175-50
<b>900</b>	62-22175-48	62-22175-49	62-22175-49	62-22175-49	62-22175-50	62-22175-50	62-22175-50	62-22175-51
<b>975</b>	62-22175-49	62-22175-50	62-22175-50	62-22175-50	62-22175-51	62-22175-51	62-22175-51	62-22175-52
<b>1075</b>	62-22175-50	62-22175-51	62-22175-51	62-22175-51	62-22175-51	62-22175-52	62-22175-52	62-22175-52
<b>1170</b>	62-22175-51	62-22175-51	62-22175-52	62-22175-52	62-22175-52	62-22175-53	62-22175-53	62-22175-53

**90% GAS FURNACE - ORIFICE SELECTION CHART - LP**

**CAUTION:** Selection of the correct LP Orifice requires the altitude of the specific installation (ft.).

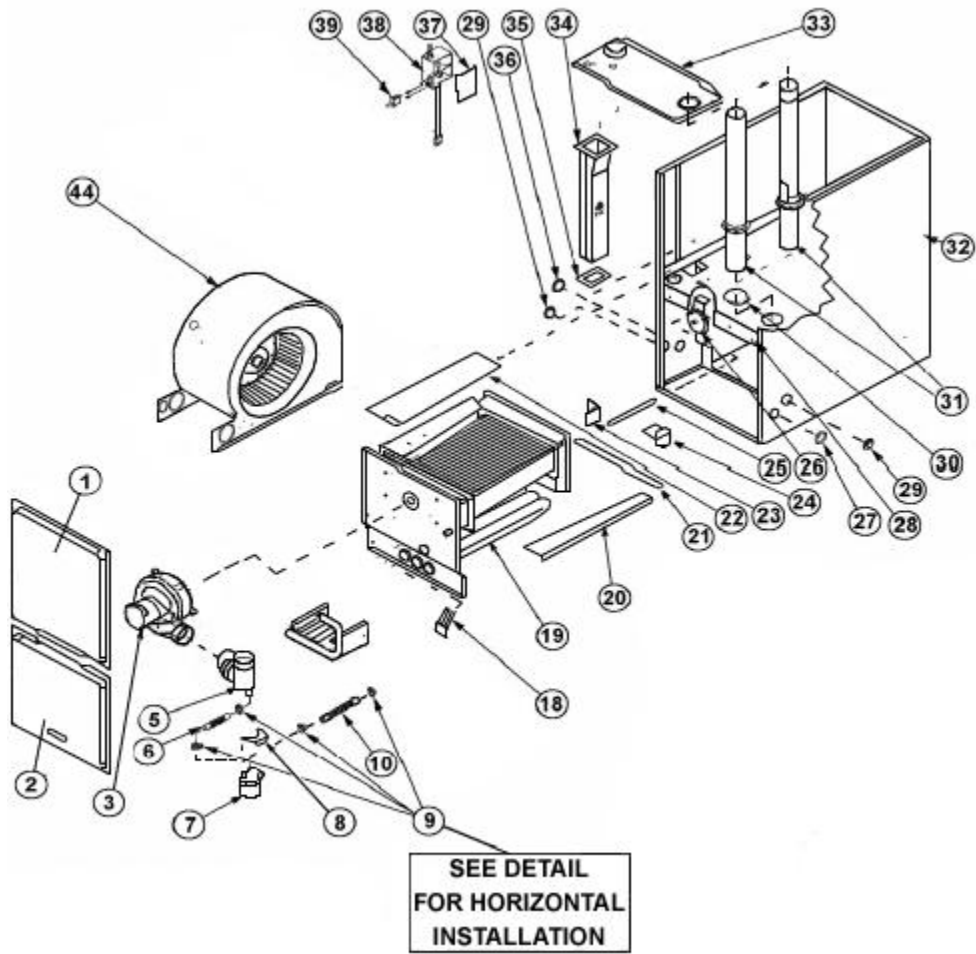
For detailed information and instructions for Orifice selection, see the Gas Furnace LP Conversion Kit Index 92-21519-59 and the latest edition of the National Fuel Gas Code Handbook (NFG), or the National Standard of Canada, Natural Gas and Propane Installation Code, CAN B149.1.

**CAUTION:** This information is provided for replacement purposes only. Conversion to LP or for operation at High Altitude should be done using the kit(s) specified on the product specification sheet for the unit.

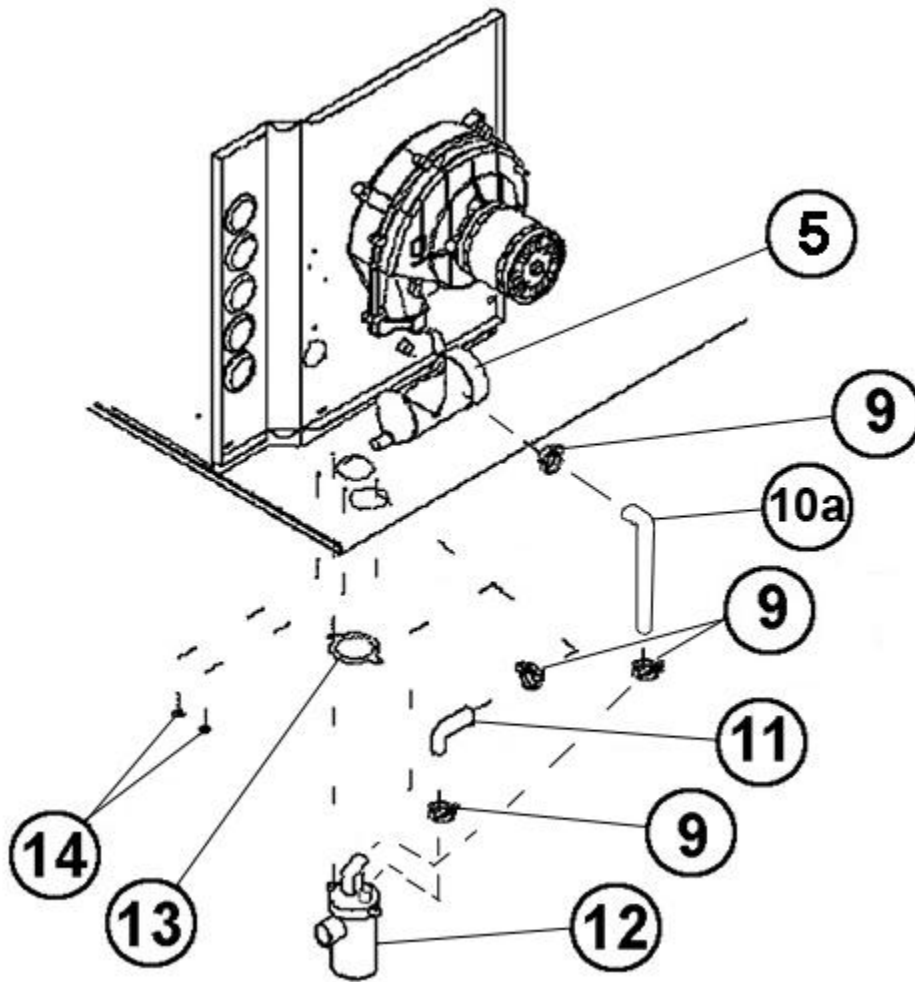
NOTE: This Orifice sizing chart is based on 15,000 BTU/HR per burner. Also, the chart is developed using the specified pressure setting of 10 in. water column instead of the 11.0 in water column used by the NFG and CANB149.1.

NOTE: Orifices supplied in the LP Conversion Kit are calculated and sized based on an altitude of 0 - 2000 ft.

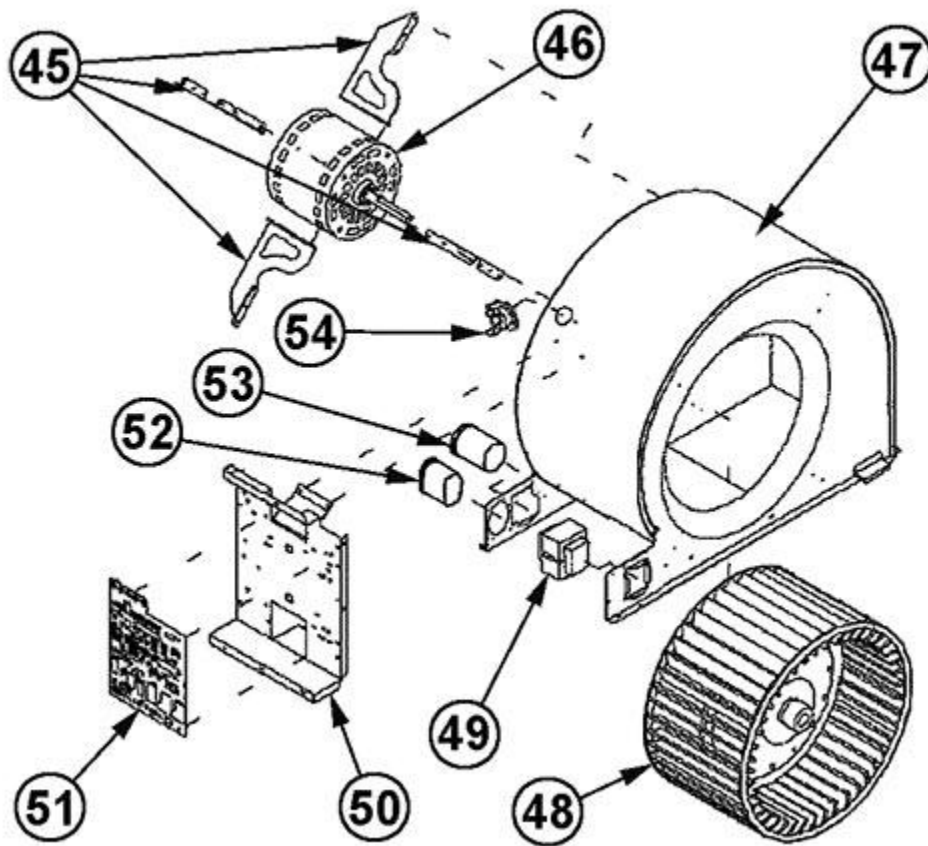
Elevation (ft.)	Orifice							
0 to 2000 ft.	62-22175-91							
2001 to 3000	62-22175-91							
3001 to 4000	62-22175-90							
4001 to 5000	62-22175-58							
5001 to 6000	62-22175-59							
6001 to 7000	62-22175-60							
7001 to 8000	62-22175-62							
8001 to 9000	62-22175-63							
9001 to 1000	62-22175-64							



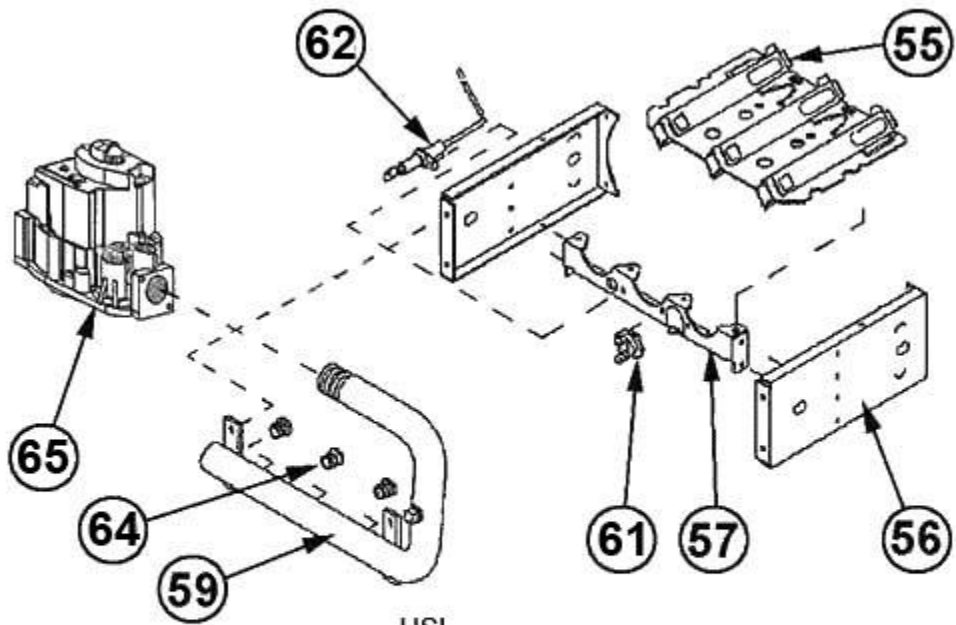
Exploded View



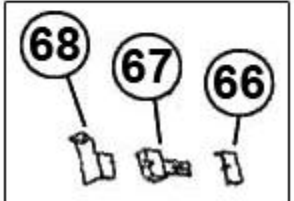
Horizontal Installation



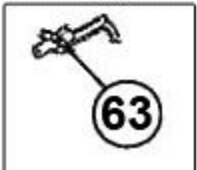
Blower Assembly



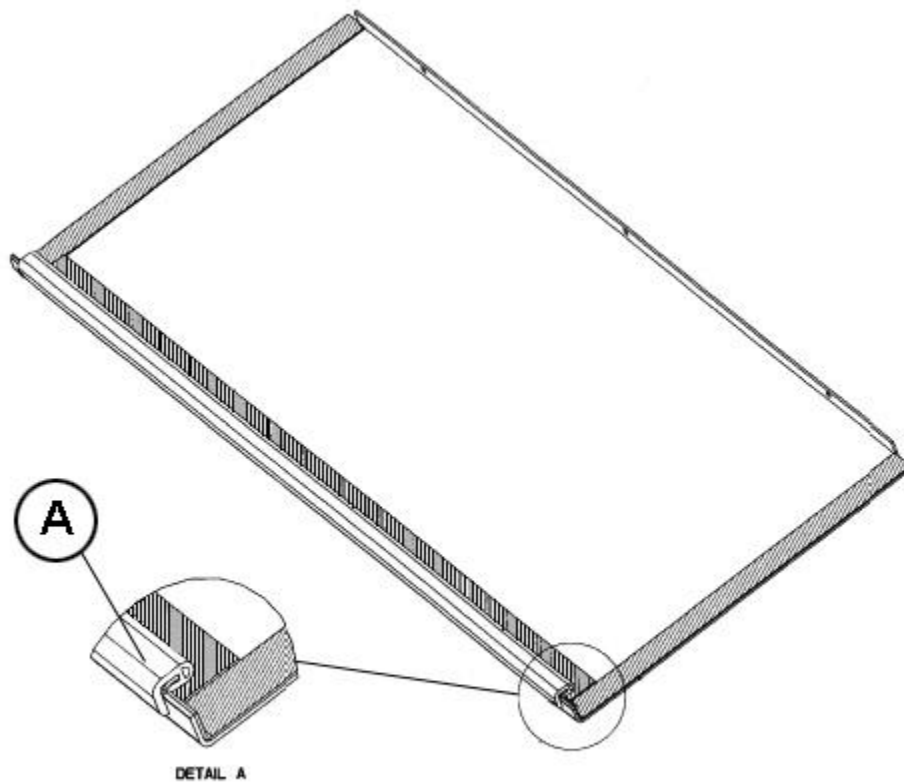
HSI



DSI



Burner Assembly



Base Pan Gasket

# NOTES

Stk It is recommended that stock be maintained for this part.

N/A Not Applicable

- 1 Top plate gasket is required for all new replacement top plates - order accordingly.
- 2 Order Gas Valve for Natural Gas along with LP Conversion Kit.
- 3 Units manufactured before F5109 used a limit switch with a set point different than the specified replacement. The specified replacement should be used for all units regardless of date code.
- 4 Jacket is not available for replacement.
- 5 Parts Bag deletion of 68-24026-04 Drain Tube requires that Tube 79-102882-01 be cut to length for horizontal applications on units produced after approximate date code F2209.

**DISCLAIMER:** This document is intended to provide general replacement parts information to aid qualified service personnel in the repair of these models. The complete Model and Serial Number of the unit under repair should be specified when selecting and ordering replacement parts. Specifications and illustrations are subject to change without notice. Document 92-42800-RGTA supersedes all previous parts lists for these models. See <http://www.rheempartslists.net/92-42800-RGTA> for the latest revision of this document. The manufacturer assumes no obligation for errors or omissions. Service personnel must verify the proper and safe operation of equipment after the replacement of any original components.