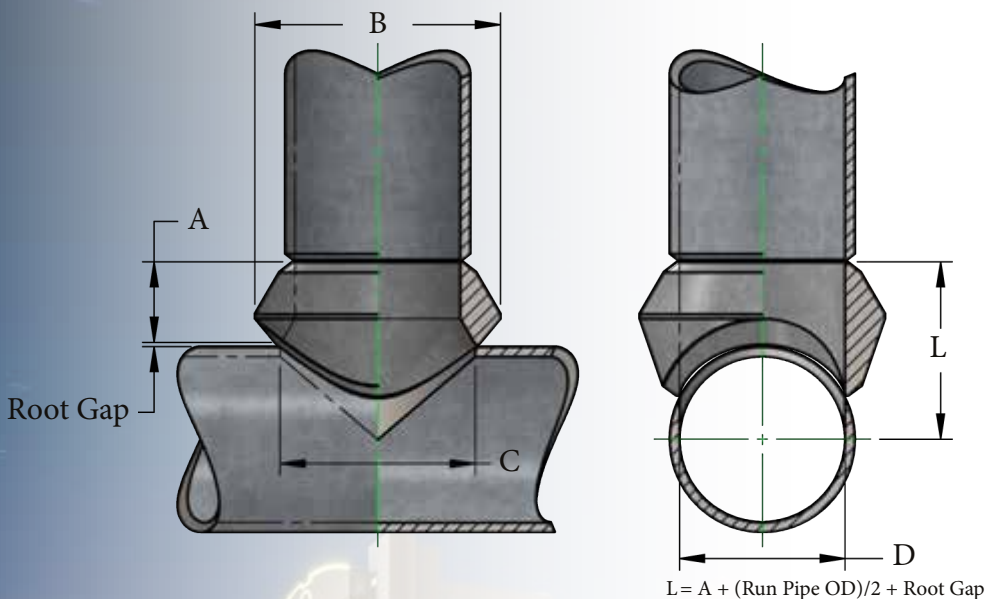


WELDOLET®

SIZE ON SIZE
STD WEIGHT



Outlet Size	Dimensions				Weight
	A	B	C	D	
NPS ½	¾	1 ¾	1 ⁵ / ₁₆	¾	0.150
NPS ¾	7/8	1 ¾	1 ³ / ₁₆	1 ³ / ₁₆	0.250
NPS 1	1 ¹ / ₁₆	2 ½	1 ⁷ / ₁₆	1 ¹ / ₃₂	0.400
NPS 1 ¼	1 ¼	2 ¾	1 ¾	1 ¾	0.700
NPS 1 ½	1 ⁵ / ₁₆	2 ¾	2	1 ¾	0.800
NPS 2	1 ½	3 ½	2 ¹ / ₁₆	2 ¹ / ₁₆	1.500
NPS 2 ½	1 ¾	4 ¹ / ₁₆	3	2 ⁷ / ₁₆	2.250
NPS 3	1 ¾	4 ¹³ / ₁₆	3 ¹¹ / ₁₆	3 ¹ / ₁₆	3.750
NPS 3 ½	2	5 ¾	3 ¾	3 ⁹ / ₁₆	5.000
NPS 4	2	6	4 ¾	4	6.700
NPS 5	2 ¼	7 ¾	5 ⁵ / ₁₆	5 ¹ / ₁₆	8.500
NPS 6	2 ¾	7 ¾	6 ¹¹ / ₁₆	6 ¹ / ₁₆	14.000
NPS 8	2 ¾	10 ¾	8 ¹¹ / ₁₆	7 ¹⁵ / ₁₆	28.000
NPS 10	3 ¹ / ₁₆	13	10 ¹³ / ₁₆	10	39.000
NPS 12	3 ¾	15 ¼	12 ¹³ / ₁₆	12	65.000
NPS 14	3 ½	16 ½	14 ¹ / ₁₆	13 ¼	70.000
NPS 16	3 ¹¹ / ₁₆	18 ¾	16 ¹ / ₁₆	15 ¼	92.000
NPS 18	4 ¹ / ₁₆	20 ¾	18 ¾	17 ¼	125.000
NPS 20	4 ¾	23 ¹ / ₁₆	20 ¹ / ₁₆	19 ¼	175.000
NPS 24	5 ¾	27 ¾	25 ¾	23 ¼	280.000
NPS 30	5 ¾	34 ¹ / ₁₆	30 ⁷ / ₁₆	29 ¼	440.000
NPS 36	5 ¾	40 ½	36 ½	35 ¼	1,180.000



**DESIGN PER MSS SP-97
BUTT-WELD PER ASME B16.9 & B16.25**