



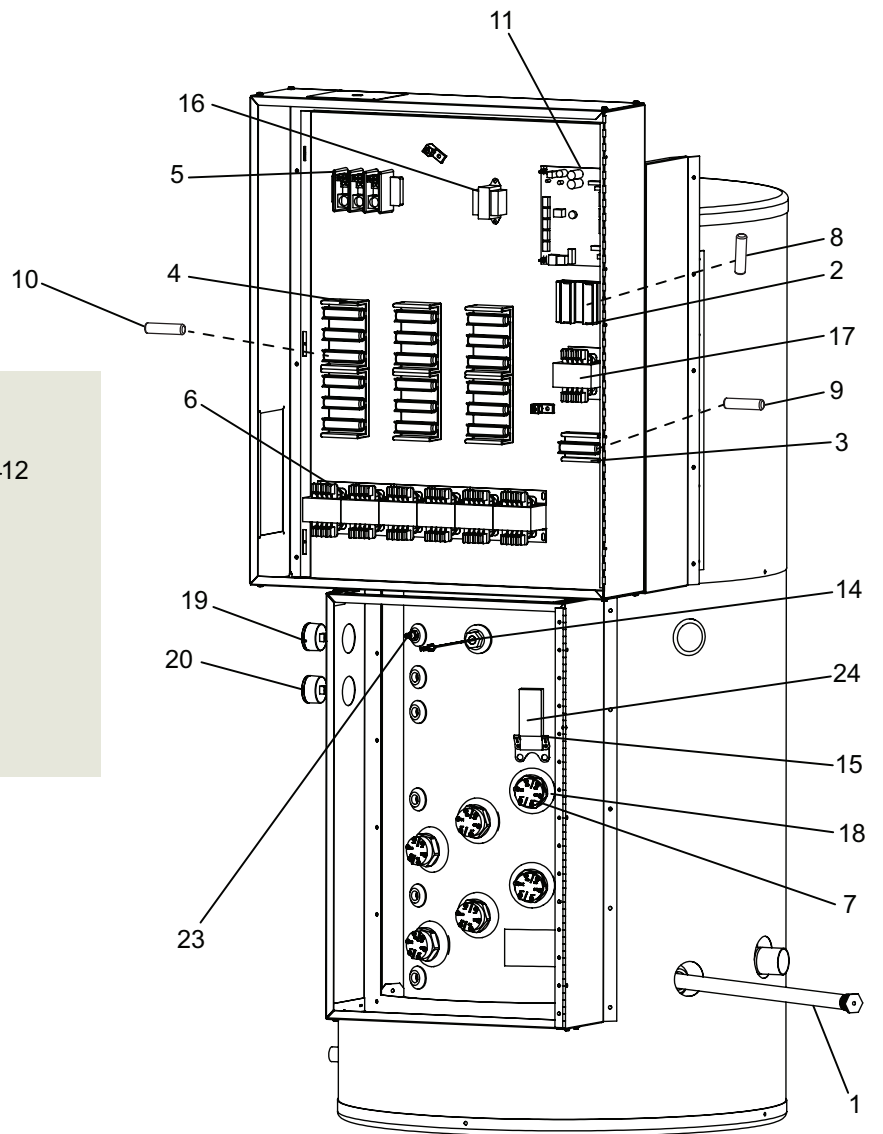
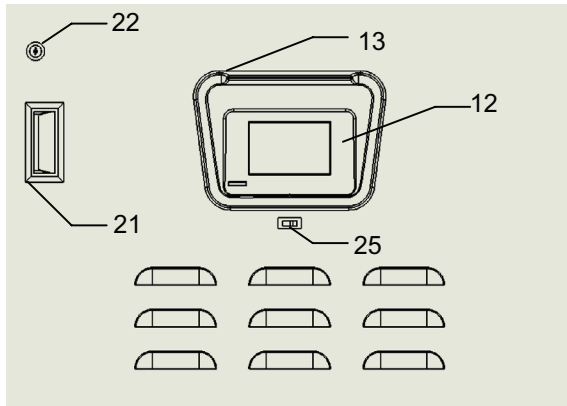
**PARTS & SERVICE DEPARTMENT**  
 Nashville, Tennessee  
 877-554-5544 • Fax: 615-882-2918  
 parts\_team@lochinvar.com  
 www.Lochinvar.com

**Replacement Parts List**

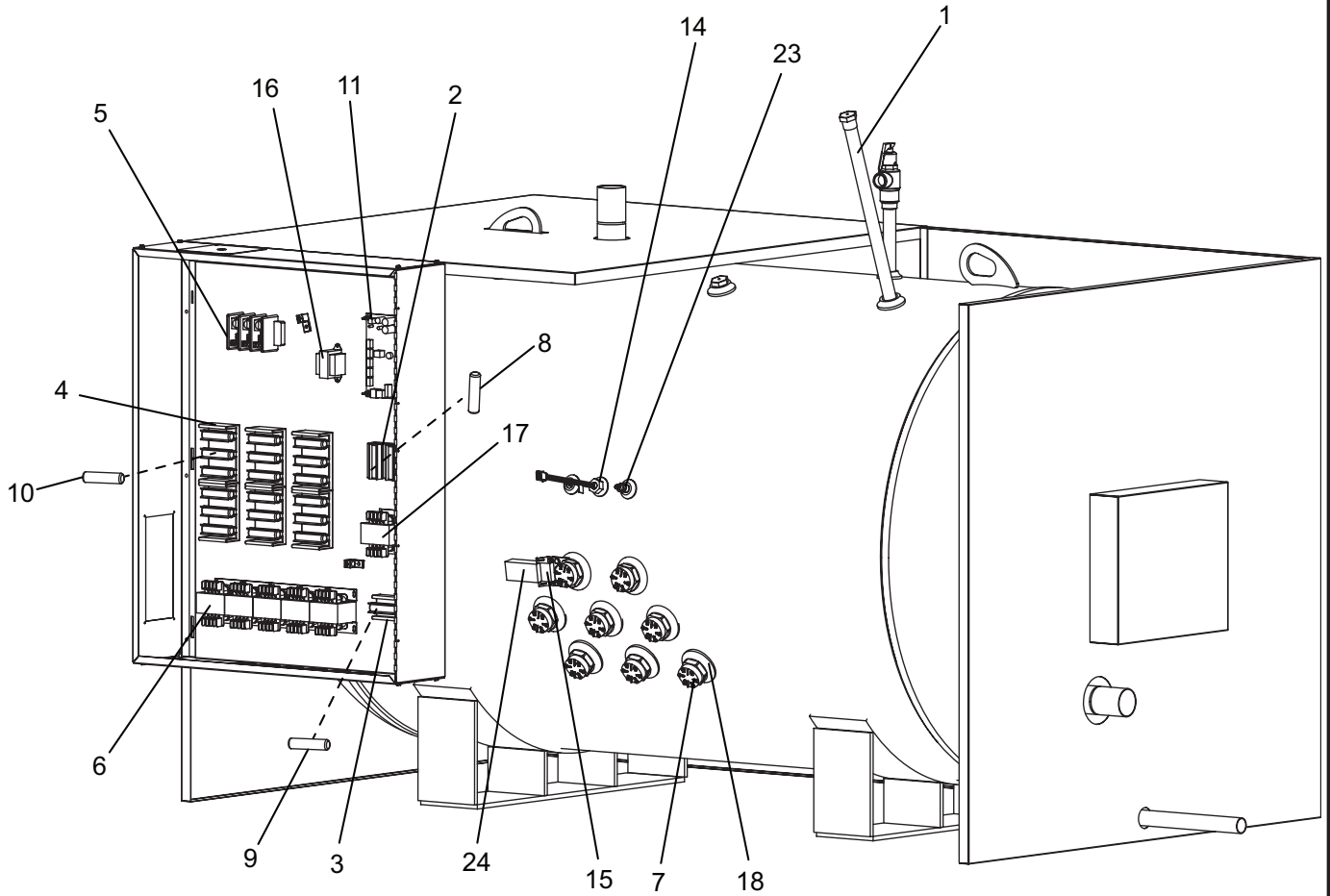
**Commercial Electric  
 Custom Hi-Power®  
 CHV and CHH 0150 - 1000**

**CHV MODELS**

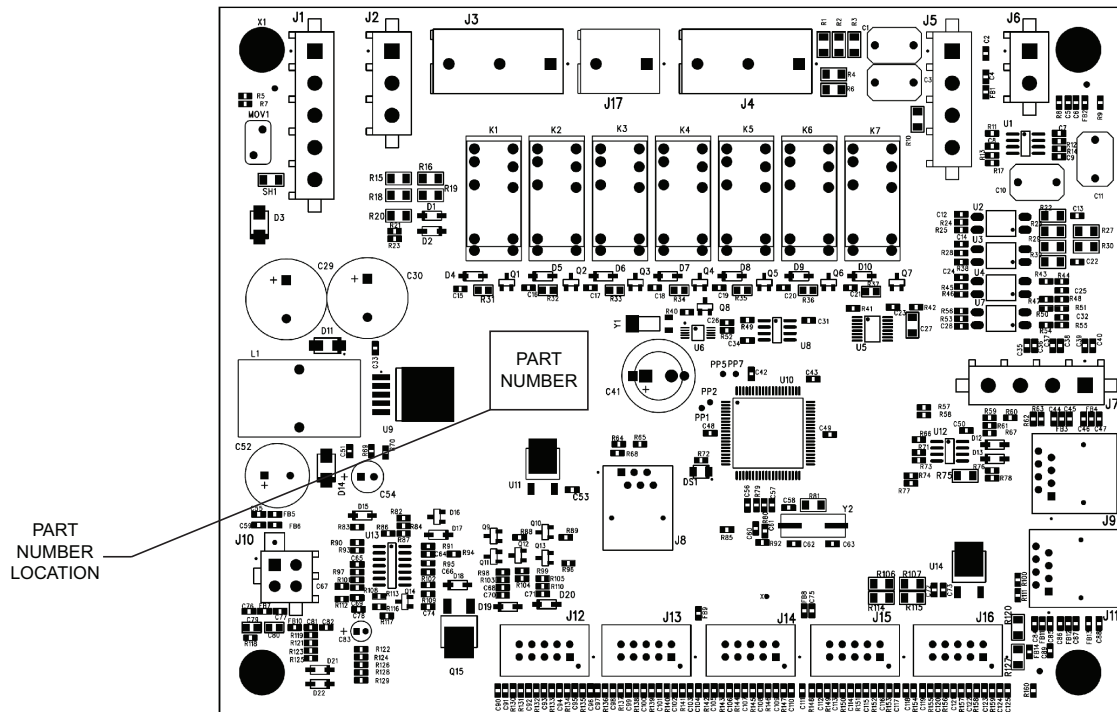
PANEL DOOR VIEW



# CHH MODELS



## CONTROL BOARD (PART NUMBER LOCATION)



ITEM NO.	PART NO.	DESCRIPTION	MODEL NO.					
<b>ANODE RODS</b>								
1	100208654	ANODE ROD, 1" NPT X 24" LONG	CHV 150 GAL & 200 GAL (2 REQ) CHH 250 GAL & 300 GAL (3 REQ)					
1	100232745	ANODE ROD, 1" NPT X 36" LONG	CHV 500 - 600 GAL (3 REQ) CHH 400 - 600 GAL (3 REQ) CHV & CHH 800 - 1000 GAL (4 REQ)					
1	100208663	ANODE ROD, 1" NPT X 48" LONG	CHV & CHH 1250 - 1500 GAL (4 REQ)					
1	100278130	ANODE ROD, 1" NPT X 62" LONG	CHV 250 GAL & 300 GAL (1 REQ) CHV & CHH 2000 - 2500 GAL (4 REQ)					
1	100208664	ANODE ROD, 3/4" NPT X 52" LONG	CHV 400 GAL (2 REQ)					
<b>FUSE BLOCKS</b>								
2	100306547	FUSE BLOCK (PRIMARY CONTROL CIRCUIT)	600V, 30A*					
2	100308479	FUSE BLOCK (PRIMARY CONTROL CIRCUIT)	250V, 30A*					
3	100308480	FUSE BLOCK (SECONDARY CONTROL CIRCUIT)	ALL					
4	100308601	FUSE BLOCK	300V, 60A*					
4	100308693	FUSE BLOCK	600V, 60A*					
<b>TERMINAL BLOCKS</b>								
5	100308604	TERMINAL BLOCK	600V, 310A, 2 POLE					
5	100308605	TERMINAL BLOCK	600V, 175A, 3 POLE					
5	100308606	TERMINAL BLOCK	600V, 310A, 3 POLE					
5	100308607	TERMINAL BLOCK	600V, 380A, 3 POLE					
<b>CONTACTORS</b>								
6	100208805	CONTACTOR, 50 AMP	ALL					
<b>SCREW-IN TYPE ELEMENTS - 1 1/2" NPT</b>								
	<b>WATTAGE</b>	<b>208 VOLT</b>	<b>240 VOLT</b>	<b>380 VOLT</b>	<b>400 VOLT</b>	<b>415 VOLT</b>	<b>480 VOLT</b>	<b>600 VOLT</b>
		<b>PART NO.</b>	<b>PART NO.</b>	<b>PART NO.</b>	<b>PART NO.</b>	<b>PART NO.</b>	<b>PART NO.</b>	<b>PART NO.</b>
7	12000	100308608	100308611	100308613	100308616	100308619	100308622	100308625
7	15000	100308609	100308612	100308614	100308617	100308620	100308623	100308626
7	18000	100308610	N/A	100308615	100308618	100308621	100308624	100309454
<b>FUSES</b>								
8	100308627	FUSE, 600V (PRIMARY CONTROL CIRCUIT)	15 AMP*					
9	100308628	FUSE, 250V	15 AMP*					
10	100308629	FUSE, 300V	35 AMP*					
10	100308630	FUSE, 300V	40 AMP*					
10	100308641	FUSE, 300V	50 AMP*					
10	100308642	FUSE, 300V	60 AMP*					
10	100308643	FUSE, 600V	35 AMP*					
10	100308644	FUSE, 600V	40 AMP*					
10	100308645	FUSE, 600V	50 AMP*					
10	100309455	FUSE, 600V	60 AMP*					
<b>THERMOSTATS</b>								
11	-----	BOARD, CONTROL (SEE PAGE 2, PART NO. LOCATION DIAGRAM)	-----					
12	100308647	BOARD, DISPLAY, COMMUNICATION	ALL					
13	100308648	BEZEL, DISPLAY	ALL					
14	100308649	PROBE, TEMPERATURE	ALL					
15	100208178	HI LIMIT	ALL					
<b>TRANSFORMERS</b>								
16	100308653	TRANSFORMER, 120-24V	ALL					
17	100308654	TRANSFORMER, 240/480-120V	UP TO 100VA					
17	100308655	TRANSFORMER, 240/480-120V	101-150VA					
17	100308656	TRANSFORMER, 240/480-120V	151-250VA					
17	100308657	TRANSFORMER, 240/480-120V	251-350VA					
<b>PLEASE HAVE MODEL NUMBER AND SERIAL NUMBER WHEN ORDERING PARTS.</b>								
<b>*VOLTAGE AND AMPERAGE INFORMATION IS ON THE PART</b>								

ITEM NO.	PART NO.	DESCRIPTION	MODEL NO.
<b>TRANSFORMERS (CONTINUED)</b>			
17	100308658	TRANSFORMER, 380/208-120V	UP TO 100VA
17	100308660	TRANSFORMER, 380/208-120V	101-250VA
17	100308661	TRANSFORMER, 415/600-120V	UP TO 50VA
17	100308662	TRANSFORMER, 415/600-120V	51 - 250VA
<b>MISCELLANEOUS</b>			
18	100208099	GASKET, ELEMENT SCREW-IN	ALL
19	100278119	GAUGE, TEMPERATURE 30 - 240°F	OPTIONAL
20	100278120	GAUGE, PRESSURE 0 - 160 PSI	OPTIONAL
21	100308666	HANDLE, DOOR	ALL
22	100308667	LOCK, KEY	ALL
23	100308669	PROBE, LWCO	ALL
23	100308670	PROBE, LWCO EXTENTION, 7-1/2"	OPTIONAL
24	100308671	COVER, HI LIMIT	ALL
25	100308672	PILOT SWITCH WITH LIGHT	ALL
-	100208445	RELIEF VALVE 125# W.P.	ALL
-	100208444	RELIEF VALVE 150# W.P.	OPTIONAL
-	100308675	HINGE	ALL
-	100308676	SAFETY DOOR INTERLOCK	OPTIONAL
-	100308677	RELAY, 120V (USED WITH MULTIPLE CONTROL BOARDS)	ALL
-	100308678	CABLE COMMUNICATION	ALL
-	100308679	OVERLAY DISPLAY	ALL
-	100277801	BOOT, LWCO	ALL
-	100308681	PUMP	CHH
-	100308682	GASKET, HAND HOLE 4" X 6", ONE BOLT	OPTIONAL
-	100208765	GASKET, MANWAY 11" X 15"	OPTIONAL
-	100208766	GASKET, MANWAY 12" X 16"	OPTIONAL
-	100308685	ALARM BELL	OPTIONAL
-	100233706	GASKET, SIX BOLT ASME	ALL
-	100308688	COVER, CLEANOUT SIX BOLT ASME	ALL
-	100308689	BLOCK-OFF PLATE, ELEMENT ACCESS SCREW-IN TYPE	ALL

PLEASE HAVE MODEL NUMBER AND SERIAL NUMBER WHEN ORDERING PARTS.

\*VOLTAGE AND AMPERAGE INFORMATION IS ON THE PART