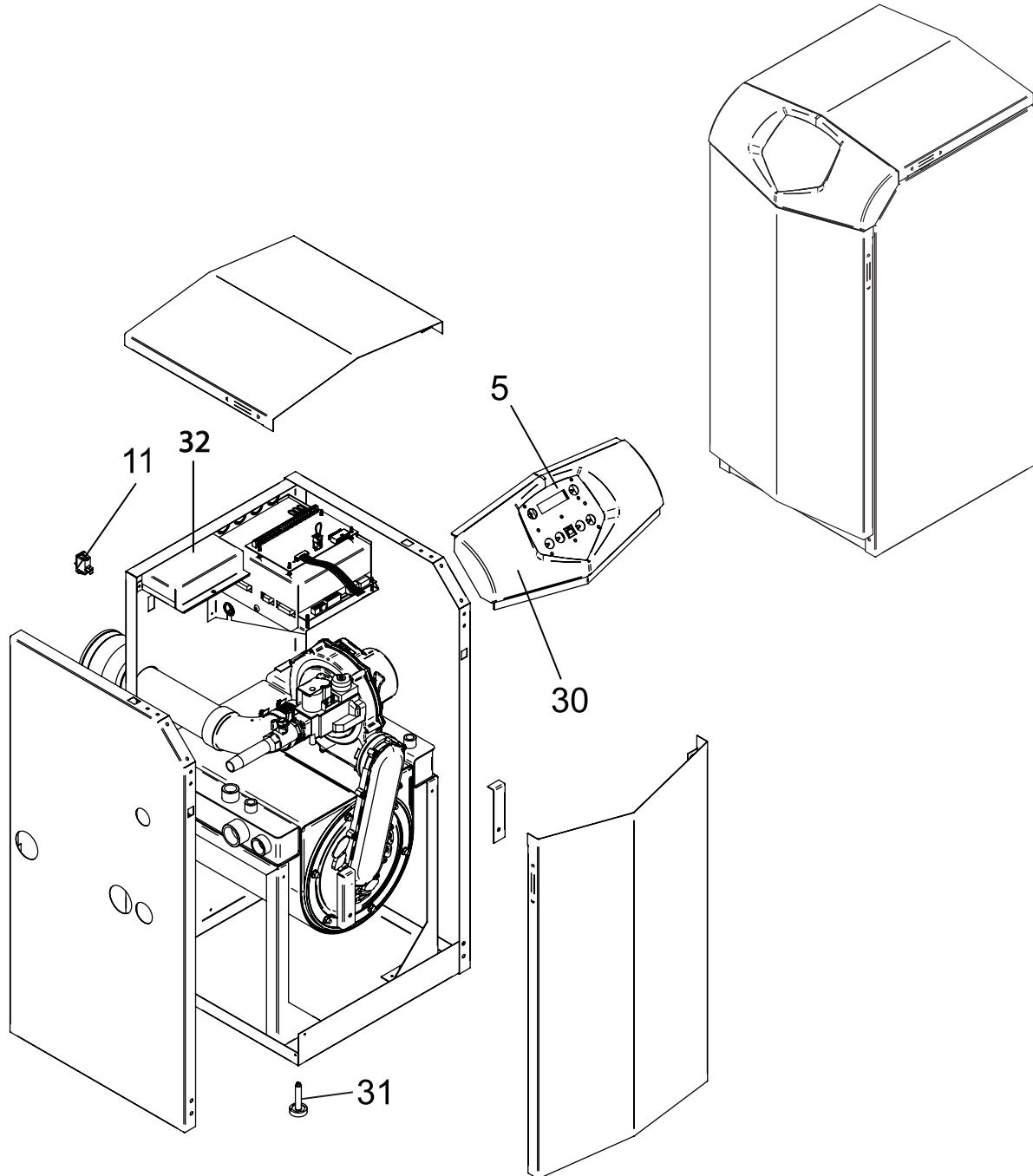




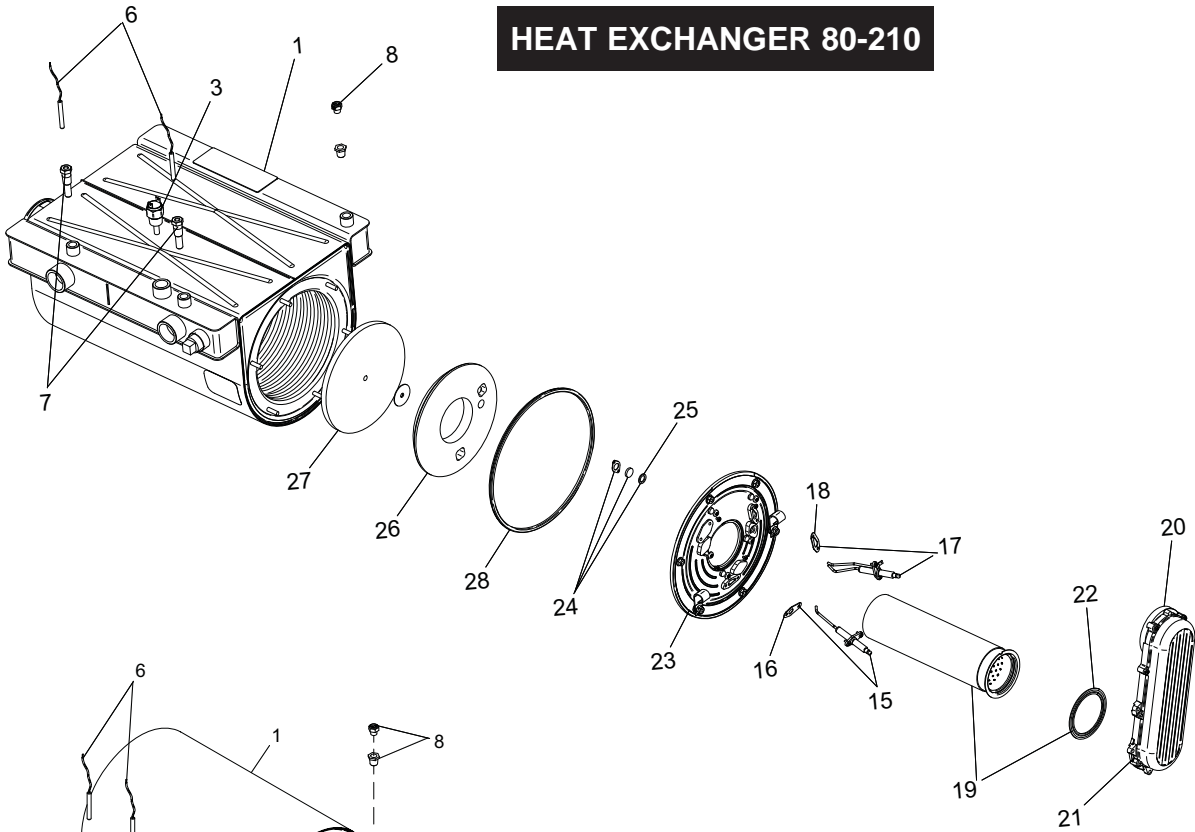
PARTS & SERVICE DEPARTMENT
Nashville, Tennessee
615-889-8900 / Fax: 615-547-1000
www.Lochinvar.com

Replacement Parts List

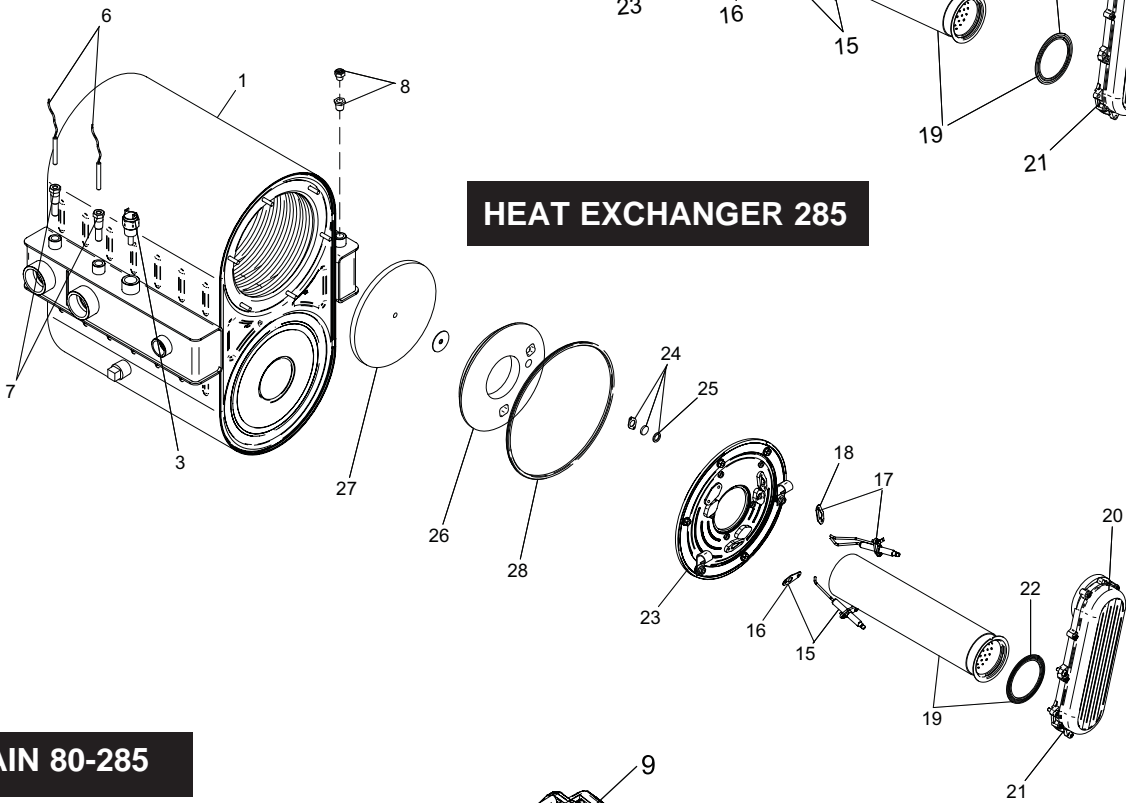
Knight Heating Boilers KB 80 thru 285



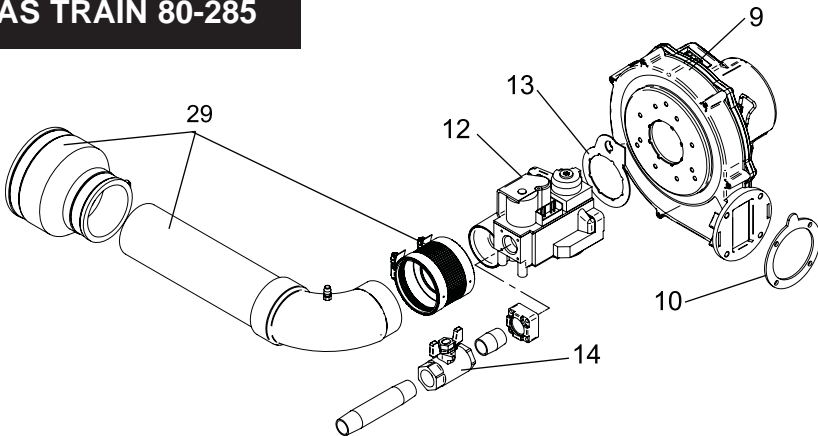
HEAT EXCHANGER 80-210



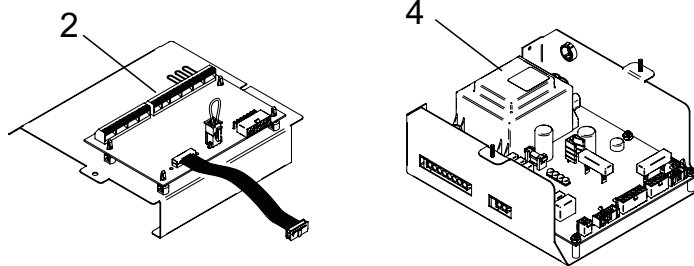
HEAT EXCHANGER 285



GAS TRAIN 80-285



CONTROL PANEL



ITEM NO.	PART NO.	DESCRIPTION	MODEL
HEAT EXCHANGER ASSEMBLY			
1	HEX3076	HEAT EXCHANGER	KBN080
1	HEX3077	HEAT EXCHANGER	KBN105
1	HEX3078	HEAT EXCHANGER	KBN150
1	HEX3079	HEAT EXCHANGER	KBN210
1	HEX3080	HEAT EXCHANGER	KBN285
CONTROLS			
2	RLY2202	LOW VOLTAGE CONNECTION BOARD	ALL
3	HLC2510	HIGH LIMIT	ALL
4	RLY30011	INTEGRATED CONTROL	KBN80-285
4	RLY30019	HIGH ALTITUDE INTEGRATED CONTROL	KBN80-285
5	RLY2210	USER INTERFACE CONTROL	ALL
6	TST2032	WATER TEMP SENSOR	ALL
7	TST2044	BULBWELL	ALL
8	RLV30000	AIR VENT VALVE	ALL
9	FAN3030	FAN ASSEMBLY	KBN080 & 105
9	FAN3031	FAN ASSEMBLY	KBN150
9	FAN3032	FAN ASSEMBLY	KBN210
9	FAN3033	FAN ASSEMBLY	KBN285
10	GKT2456	GASKET/ BLOWER	KBN080, 105 & 210
10	GKT2436	GASKET/ BLOWER	KBN150 & 285
11	SWT2006	ON/OFF SWITCH	ALL
GAS VALVES			
12	VAL3205	GAS VALVE ASSEMBLY	KBN080
12	VAL3200	GAS VALVE ASSEMBLY	KBN105
12	VAL3201	GAS VALVE ASSEMBLY	KBN150
12	VAL3202	GAS VALVE ASSEMBLY	KBN210
12	VAL3203	GAS VALVE ASSEMBLY	KBN285
13	GKT2443	GAS VALVE GASKET	KBN080-285
14	VAL2206	GAS CUT OFF VALVE	KBN80-210
14	VAL2421	GAS CUT OFF VALVE	KBN285
PILOT & BURNER ASSEMBLIES			
15	PLT3022	FLAME SENSOR W/GASKET	ALL
16	GKT2450	GASKET, FLAME SENSOR	ALL
17	PLT3021	IGNITER W/GASKET	ALL
18	GKT2449	GASKET, IGNITER	ALL
19	BNR3424	BURNER W/ GASKET	KBN080
19	BNR3425	BURNER W/ GASKET	KBN105
19	BNR3426	BURNER W/ GASKET	KBN150
19	BNR3427	BURNER W/ GASKET	KBN210
19	BNR3428	BURNER W/ GASKET	KBN285
20	WTR3077	GAS/AIR ARM ASSEMBLY W/GASKET	KB080
20	WTR3081	GAS/AIR ARM ASSEMBLY W/GASKET	KBN105
20	WTR3082	GAS/AIR ARM ASSEMBLY W/GASKET	KBN150
20	WTR3078	GAS/AIR ARM ASSEMBLY W/GASKET	KB210/285

PLEASE HAVE MODEL AND SERIAL NUMBER WHEN ORDERING PARTS

ITEM NO.	PART NO.	DESCRIPTION	MODEL
PILOT & BURNER ASSEMBLIES (CONTINUED)			
21	GKT2454	GASKET - GAS / AIR ARM ASSEMBLY	ALL
22	GKT2451	GASKET, BURNER	ALL
23	WTR3080	HEAT EXCHANGER ACCESS DOOR KIT	ALL
MISCELLANEOUS			
24	MSC3180	SIGHT GLASS	ALL
25	GKT2453	GASKET/ SIGHT GLASS	ALL
26	FIB2168	BURNER PLATE, INSULATION, DOOR	ALL
27	FIB2167	DIVIDER PLATE, INSULATION BAFFLE	ALL
28	GKT2455	GASKET DOOR RUBBER	ALL
29	MSC3181	AIR INLET KIT	KBN080-105
29	MSC3182	AIR INLET KIT	KBN150
29	MSC3183	AIR INLET KIT	KBN210
29	MSC3184	AIR INLET KIT	KBN285
30	MSC2177	DISPLAY BEZEL	ALL
31	BLT2104	LEVELING LEG	ALL
32	MSC2514	HIGH VOLTAGE CONNECTION BOARD	ALL
-	PRS20000	PRESSURE SWITCH	KBN080
-	PRS20001	PRESSURE SWITCH	KBN105, 150 & 285
-	PRS20002	PRESSURE SWITCH	KBN210
-	RLV2005	RELIEF VALVE 30 PSI	ALL
-	FUS2000	1.25 AMP	ALL
-	FUS2001	3.15 AMP	ALL
-	FUS2002	5 AMP	ALL
-	WTR2040	FLOW SWITCH	ALL
-	TST2311	OUTDOOR AIR SENSOR	ALL
-	MSC2971	CONDENSATE TRAP	KBN080-210
-	KIT30050	CONDENSATE TRAP	KBN285
-	SWT2011	BLOCKED DRAIN SWITCH	ALL
-	GTP2900	GAUGE TRIOMETER, 75# PSI	ALL
-	TST3403	FLUE TEMP SENSOR KIT	ALL
-	KIT3086	ADJUSTABLE MANUAL RESET HIGH LIMIT	ALL
-	WTR20009	MRLWCO WITH TEST	ALL
-	KIT3085	ALARM BELL	ALL
-	KIT3078	SYSTEM SENSOR	ALL
-	KIT3087	NEUTRALIZER KIT	ALL
-	LPK3944	LP CONVERSION KIT	KBN080
-	LPK3945	LP CONVERSION KIT	KBN105
-	LPK3946	LP CONVERSION KIT	KBN150
-	LPK3947	LP CONVERSION KIT	KBN210
-	LPK3948	LP CONVERSION KIT	KBN285
-	JKB2000	FLUE COLLAR 3"	KBN080-210
-	JKB2001	FLUE COLLAR 4"	KBN285
-	KIT30062	HEAT EXCHANGER CLEANING KIT	KBN080-105
-	KIT30063	HEAT EXCHANGER CLEANING KIT	KBN150-285
-	MSC30011	BIRD SCREEN KIT 3"	KBN080-210
-	MSC30012	BIRD SCREEN KIT 4"	KBN285
-	WRE20000	HARNESS, CONNECTION BOARD	ALL
-	WRE2202	HARNESS, POWER	ALL
-	WRE2203	CABLE, RIBBON	ALL
-	WRE2204	HARNESS, UNIT	KBN80-105
-	WRE2207	HARNESS, UNIT	KBN150 & 285
-	WRE2208	HARNESS, UNIT	KBN210
-	WRE2205	HARNESS, GAS VALVE	ALL
-	WRE2209	HARNESS, SPARK ELECTRODE	KBN80-105 & 285
-	WRE2210	HARNESS, SPARK ELECTRODE	KBN150-210
-	WRE2211	HARNESS, FLAME SENSE ELECTRODE	ALL
PUMPS			
-	PUM3020	PUMP	KBN080-210
-	PUM30005	PUMP, HIGH ALTITUDE	KBN080-210
-	PUM3021	PUMP	KBN285

PLEASE HAVE MODEL AND SERIAL NUMBER WHEN ORDERING PARTS