



Lochinvar®

MULTI-FLUE CHARGER COMM. GAS WATER HEATER

Submittal Sheet

CGR-Sub-19

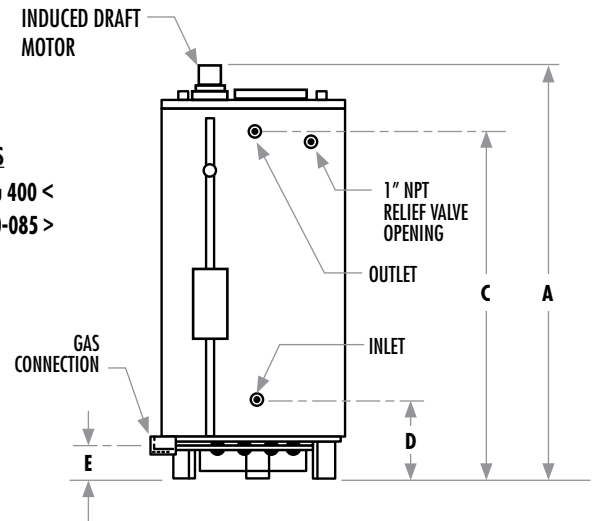
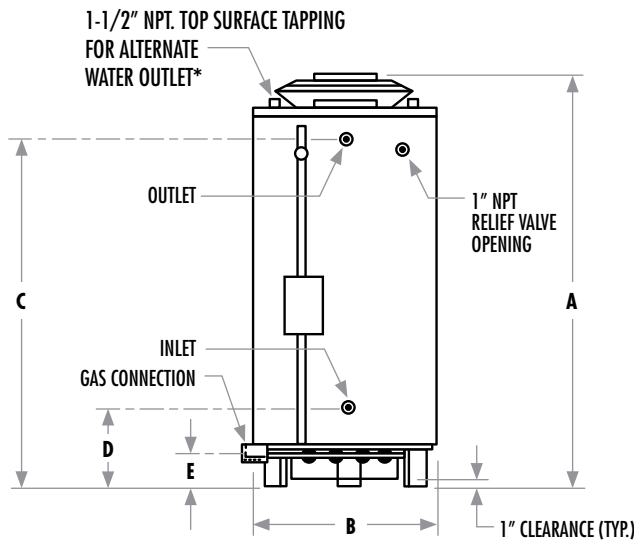
Job Name: _____	Model No.: _____	BTU/hr INPUT: _____
Location: _____	Type Gas: _____	Recovery Rate in GPH @ F° Rise: _____
Engineer: _____	Capacity (gal.): _____	Equipment Tag(s): _____
Agent/Wholesaler: _____	Contractor: _____	NOTES:

Standard Equipment:

- Meets ASHRAE Energy Efficiency Standards
- 80% Thermal Efficiency
- Multi-Flue Design
- Glass Lined Tank
- 150 psi Working Pressure
- Tank Saver Anode
- ASME Temperature & Pressure Relief Valve
- Automatic Reset High Limit
- Spark Ignition
- 180°F Operation Approved
- Combustible Floor Approved
- Steel Jacket with Foam Insulation
- Hand Hole Cleanout
- Slide Out Burner Tray
- 3 Year Limited Warranty on Tank, 1 Year Limited Warranty on Parts (See warranty for details)

Optional Equipment:

- UL Sanitation
- High Altitude (2,000 to 8,000 feet)



MODELS
< CG 120 thru 400 <
> CG 500-085 >

Model Number	Btu/Hr Input	Capacity (Gals.)	GPH @ 100°F Rise	A	B	C	D	E	Vent Size	Gas Conn.	Water Conn.	Std. Ship. Wgt.	ASME Ship. Wgt.
CGN120 070	120,000	71	116	69-3/4"	27-3/4"	52"	19-3/4"	4-1/4"	6"	1/2"	1-1/2"	400	-
CGN155 080	154,000	81	149	73"	27-3/4"	59"	19-3/4"	4-1/4"	6"	1/2"	1-1/2"	470	-
CGN180 076	180,000	76	174	67-1/2"	27-3/4"	54-3/4"	20-1/2"	4-1/2"	6"	1/2"	1-1/2"	470	-
CGN200 080	199,000	81	193	67-1/2"	27-3/4"	54-3/4"	20-1/2"	4-1/2"	6"	1/2"	1-1/2"	470	-
CGN200 100	199,000	100	193	75"	27-3/4"	62-3/4"	20-1/2"	4-1/2"	6"	1/2"	1-1/2"	603	-
CGN199 100 (A)	199,000	100	193	72"	30-1/4"	56-1/2"	19-3/4"	4-1/2"	6"	1/2"	2"	630	725
CGN250 100 (A) *	250,000	100	242	72"	30-1/4"	56-1/2"	19-3/4"	4-1/2"	8"	1/2"	2"	630	725
CGN250 065 (A) *	251,000	65	243	75"	27-3/4"	58-3/4"	20"	4-1/2"	8"	1/2"	1-1/2"	750	862
CGN275 100 (A)	275,000	100	267	72"	30-1/4"	56-1/2"	19-3/4"	4-1/2"	8"	1/2"	2"	630	725
CGN305 065 (A)	305,000	65	296	75"	27-3/4"	58-3/4"	20"	4-1/2"	8"	1/2"	1-1/2"	750	862
CGN365 085 (A)	365,000	85	354	79-1/2"	27-3/4"	63"	22-1/2"	4-1/2"	8"	3/4"	1-1/2"	725	833
CGN400 100 (A)	390,000	100	378	75-1/2"	30-1/4"	59"	26-3/4"	4-1/2"	8"	3/4"	2"	760	874
CGN500 085 (A)	500,000	85	485	81-1/2"	27-3/4"	67-1/2"	27-1/4"	4-1/2"	8"	1"	1-1/2"	812	857

A=ASME construction • See the I&O manual for dimensional locations on top & back tapings. • * Models without top surface tapping.