

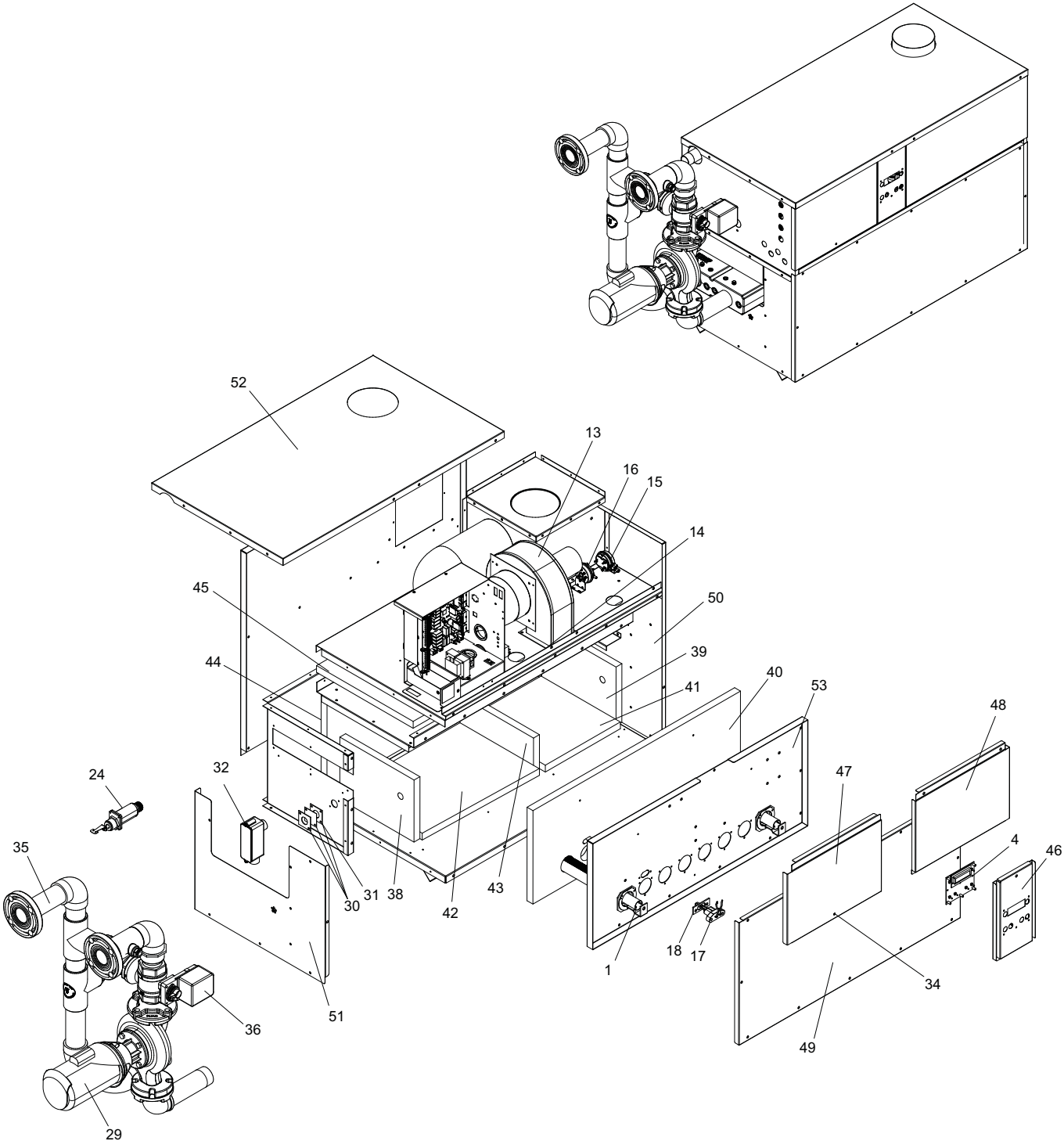


Lochinvar[®]
HIGH EFFICIENCY BOILERS & WATER HEATERS

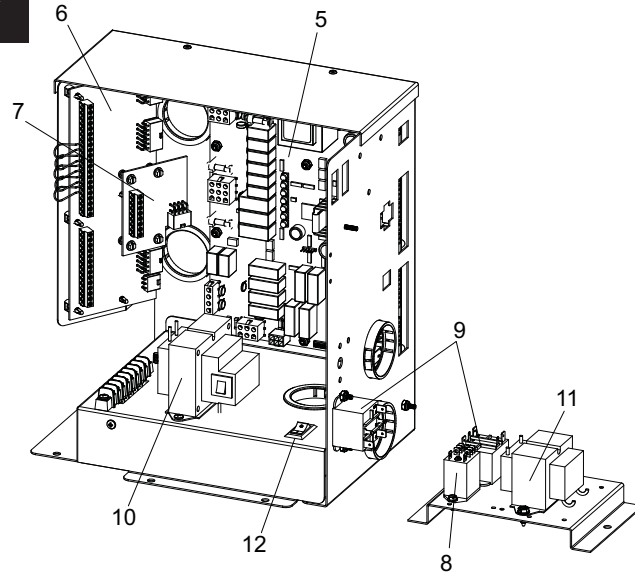
PARTS & SERVICE DEPARTMENT
Nashville, Tennessee
615-889-8900 • Fax: 615-882-2918
parts_team@lochinvar.com
www.Lochinvar.com

Replacement Parts List

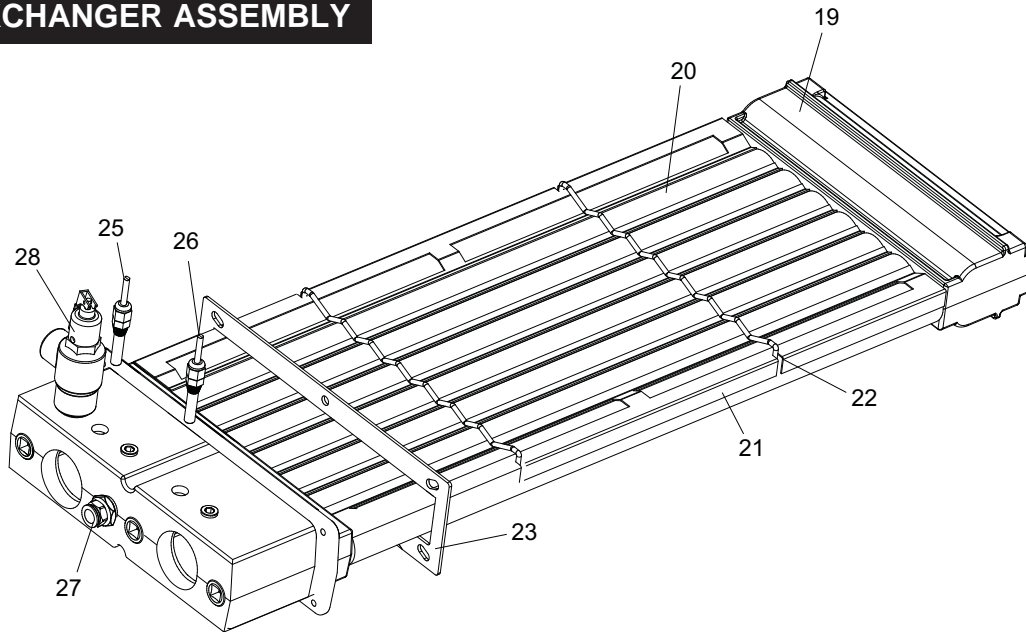
Copper-Fin²[®]
Commercial Pool Heaters
CP 502 -752



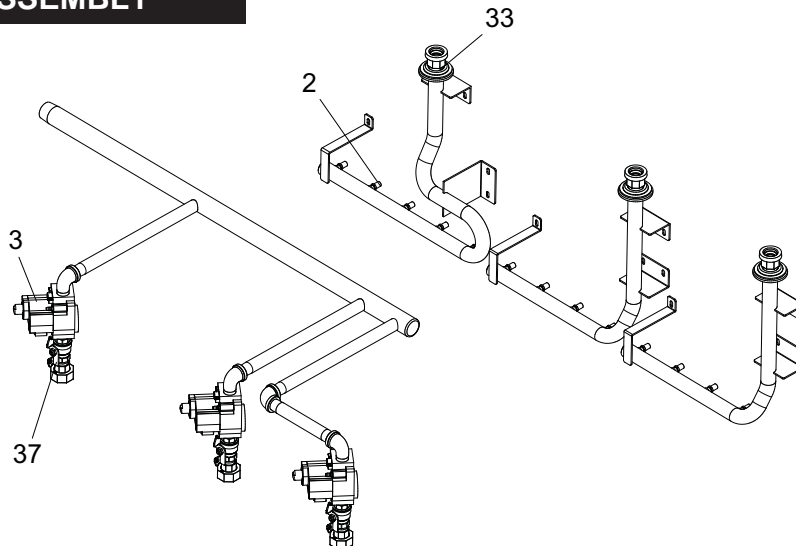
CONTROL PANEL ASSEMBLY



HEAT EXCHANGER ASSEMBLY



GAS TRAIN ASSEMBLY



ITEM NO.	PART NO.	DESCRIPTION	MODEL NO.
BURNERS			
1	100135300 is Main Burner	Model 100135270 100135300	
		502 1 ea 9 ea	
	100135270 is Main Burner w/ compression fitting.	652 1 ea 12 ea	
		752 1 ea 14 ea	
GAS TRAIN ASSEMBLIES			
2	100208344	ORIFICE, NAT	ALL
2	100208345	ORIFICE, LP	ALL
3	100208601	GAS VALVE ASSEMBLY, NAT	ALL
3	100208608	GAS VALVE ASSEMBLY, LP	ALL
CONTROLS & GUAGES			
4	100208468	USER INTERFACE CONTROL	ALL
5	100208469	BOARD, MAIN CONTROL	ALL
6	100208475	BOARD, CONNECTOR	ALL
7	100167850	BOARD, SENSOR	ALL
8	100208490	RELAY, DPDT	ALL
9	100208509	RELAY, 120VAC, 60HZ 10.8 AMP	ALL
10	100208246	TRANSFORMER, 24V, 60VA	ALL
11	100208249	TRANSFORMER, 50VA	502
11	100208246	TRANSFORMER, 24V, 60VA	652 & 752
12	100208242	SWITCH, ON/OFF	ALL
13	100233485	FAN	ALL
14	100233678	GASKET, FAN	ALL
15	100166118	AIR PRESSURE SWITCH, BLOCKED FLUE	ALL
16	100208384	AIR PRESSURE SWITCH	ALL
17	100165937	HOT SURFACE IGNITOR	ALL
18	100208087	GASKET, IGNITOR	ALL
HEAT EXCHANGER			
19	100147346	HEAT EXCHANGER, HLW (BEFORE 4-1-2017)	502
19	100147348	HEAT EXCHANGER, HLW (BEFORE 4-1-2017)	652
19	100147350	HEAT EXCHANGER, HLW (BEFORE 4-1-2017)	752
19	100147344	HEAT EXCHANGER, H (BEGINNING 4-1-2017)	502
19	100147347	HEAT EXCHANGER, H (BEGINNING 4-1-2017)	652
19	100147349	HEAT EXCHANGER, H (BEGINNING 4-1-2017)	752
20	100151232	V-BAFFLE (5 REQ.)	502
20	100151233	V-BAFFLE (5 REQ.)	652
20	100151234	V-BAFFLE (5 REQ.)	752
21	100151525	V-BAFFLE FRAME RUNNER (2 REQ)	502
21	100151526	V-BAFFLE FRAME RUNNER (2 REQ)	652
21	100151527	V-BAFFLE FRAME RUNNER (2 REQ)	752
22	100163183	V-BAFFLE RETAINER (2 REQ)	ALL
23	100208106	GASKET, HEAT SHIELD	ALL
24	100208655	FLOW SWITCH	ALL
25	100208559	SENSOR,DUAL IMMERSION, OUTLET	ALL
26	100208553	SENSOR, IMMERSION, INLET	ALL
27	100233496	BULBWELL 3/4" NPT X .382 ID	ALL
28	100208446	RELIEF VALVE, TEMPERATURE & PRESSURE	ALL
PUMP			
29	100133611	PUMP	ALL
MISCELLANEOUS			
30	100163259	SIGHT GLASS KIT	ALL
31	100233729	GASKET, SIGHT GLASS	ALL
32	100162714	CONDUIT BODY	ALL
33	100208097	GASKET, ESCUTCHEON, 3/4"	ALL
34	100162999	SCREW, KNURLED HEAD	ALL
35	100166615	CPVC PIPING LOOP 2" HORIZONTAL	ALL
35	100166614	CPVC PIPING LOOP 2" VERTICAL	ALL
36	100208597	VALVE, BYPASS, 3-WAY	ALL
37	100171800	VALVE, BALL	ALL
-	100233577	FILTER 12X12X1	ALL
PLEASE HAVE MODEL NUMBER AND SERIAL NUMBER WHEN ORDERING PARTS			

ITEM NO.	PART NO.	DESCRIPTION	MODEL NO.
MISCELLANEOUS CONTINUED			
-	100146604	GASKET, STRIP	ALL
-	100208231	FUSE, 3.15 AMP	ALL
-	100208232	FUSE, 5 AMP	ALL
-	100146461	GASKET, ESCUTCHEON, 1 1/4"	ALL
-	100233587	GASKET, BURNER	ALL
-	100146588	GASKET, PVC 1/4" X 5/8" X 25'	ALL
-	100162892	TEE, 3/16" HOSE MENDER, NYLON	ALL
-	100208319	CAP, 3/16" TEE FITTING, SILICONE	ALL
-	100208572	TUBING, GRAY 3/16" X 5/16"	ALL
-	100208573	TUBING, ALUMINUM, 1/8"	ALL
-	100173747	LOW WATER CUT-OFF, MANUAL RESET (OPTIONAL)	ALL
-	100173748	LOW WATER CUT-OFF, AUTO RESET (OPTIONAL)	ALL
-	100208662	LOW WATER CUT-OFF PROBE (OPTIONAL)	ALL
-	100173640	LOW WATER CUT-OFF BOOT (OPTIONAL)	ALL
LOCH-HEAT TILE			
38	100233555	LOCH-HEAT TILE, FRONT HEAD SIDE	ALL
39	100145466	LOCH-HEAT TILE, REAR HEAD SIDE	ALL
40	100145468	LOCH-HEAT TILE, FRONT DOOR	502
40	100145399	LOCH-HEAT TILE, FRONT DOOR	652
40	100145400	LOCH-HEAT TILE, FRONT DOOR	752
41	100145694	LOCH-HEAT TILE, RIGHT BOTTOM	502
41	100145695	LOCH-HEAT TILE, RIGHT BOTTOM	652
41	100233571	LOCH-HEAT TILE, RIGHT BOTTOM	752
-	100145369	LOCH-HEAT TILE, MIDDLE BOTTOM	652
-	100145697	LOCH-HEAT TILE, MIDDLE BOTTOM	752
42	100145694	LOCH-HEAT TILE, LEFT BOTTOM	502
42	100145368	LOCH-HEAT TILE, LEFT BOTTOM	652
42	100233571	LOCH-HEAT TILE, LEFT BOTTOM	752
43	100233575	LOCH-HEAT TILE, DIVIDER	ALL
44	100145613	LOCH-HEAT TILE, BACK	502
44	100145614	LOCH-HEAT TILE, BACK	652
44	100145615	LOCH-HEAT TILE, BACK	752
45	100145675	INSULATION PAD, TOP	502
45	100145676	INSULATION PAD, TOP	652
45	100145677	INSULATION PAD, TOP	752
JACKET ASSEMBLIES			
46	100151265	JACKET, OUTER FRONT UPPER MIDDLE	ALL
47	100151490	JACKET, OUTER FRONT UPPER LEFT	502
47	100151492	JACKET, OUTER FRONT UPPER LEFT	652 & 752
48	100151266	JACKET, OUTER FRONT UPPER RIGHT	502
48	100151267	JACKET, OUTER FRONT UPPER RIGHT	652
48	100151269	JACKET, OUTER FRONT UPPER RIGHT	752
49	100151482	JACKET, OUTER FRONT LOWER	502
49	100151483	JACKET, OUTER FRONT LOWER	652
49	100151484	JACKET, OUTER FRONT LOWER	752
50	100151474	JACKET, OUTER REAR HEAD	502
50	100151496	JACKET, OUTER REAR HEAD	652 & 752
51	100151472	JACKET, OUTER FRONT LOWER HEAD	ALL
52	100151477	JACKET, OUTER TOP	502
52	100151478	JACKET, OUTER TOP	652
52	100151479	JACKET, OUTER TOP	752
53	100151262	DOOR, COMBUSTION CHAMBER	502
53	100151263	DOOR, COMBUSTION CHAMBER	652
53	100151264	DOOR, COMBUSTION CHAMBER	752
PLEASE HAVE MODEL NUMBER AND SERIAL NUMBER WHEN ORDERING PARTS			