



# LC149 SERIES

## Contractor Grade Butterfly Valves

<b>Job Name:</b>	<b>Contractor:</b>
<b>Job Location:</b>	<b>P.O. Number:</b>
<b>Engineer:</b>	<b>Representative:</b>
<b>Tag:</b>	<b>Wholesale Distributor:</b>

### DESCRIPTION

The Apollo® LC149 Series Cast Iron Butterfly Valves are ideal for use in Industrial and HVAC/Mechanical applications. The LC149 Series is a lug style valve designed to be economical yet have high pressure capabilities.

### FEATURES

- Compatible with ANSI 125# & 150# Flanges
- ISO 5211 Top plate allows choice of Apollo® pneumatic actuators and manual operators
- "Double-D" stem design
- Conforms to MSS SP-67, API 609 & ISO 5752
- Suitable for end of line service to rated pressure
- Extended neck for up to 2" of insulation

### STANDARD MATERIALS

Body	Cast Iron, ASTM A126 Class B
Disc	Aluminum Bronze, ASTM B148-C95400
Shaft	Stainless Steel, ASTM A276, Type 416
Seat	EPDM (FDA food grade) with phenolic backing
Bushings	PTFE
Stem Seal	EPDM

### PERFORMANCE RATINGS

- Max Operating Pressure: 200 psi
- Temperature Range: -30°F to +275°F



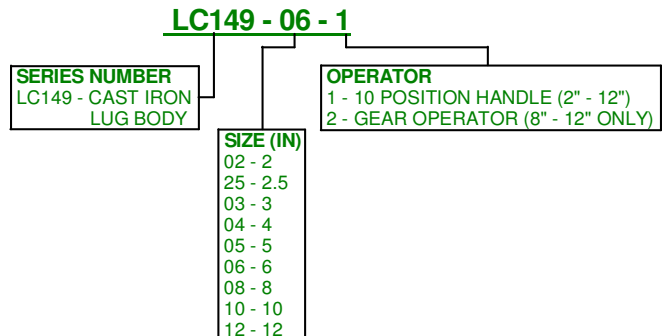
### VALVE WEIGHT

VALVE		WEIGHT W/ LEVER (LBS)	WEIGHT W/ GEAR (LBS)
IN.	MM		
2	50	8	--
2.5	65	10	--
3	80	11	--
4	100	17	--
5	125	20	--
6	150	23	--
8	200	44	71
10	250	67	94
12	300	102	129

### TORQUE RATING

* (INCH-LBS)						FLOW
Valve Size		Full Rated Pressures (psi)				Cv Full Open
IN.	MM	ΔP 50	ΔP 100	ΔP 150	ΔP 200	
2	50	100	106	111	117	115
2.5	65	150	163	176	189	196
3	80	207	220	232	244	302
4	100	290	323	357	390	600
5	125	423	481	540	598	1022
6	150	599	691	783	875	1579
8	200	1060	1183	1307	1430	3136
10	250	1671	1872	2074	2275	5340
12	300	2568	2795	3023	3250	8250

### Model Number Guide (example)



\* Lubricating media service

Conbraco Industries, Inc. 701 Matthews Mint Hill Rd. Matthews NC 28106 USA; [www.apollovalves.com](http://www.apollovalves.com) ; 704-841-6000

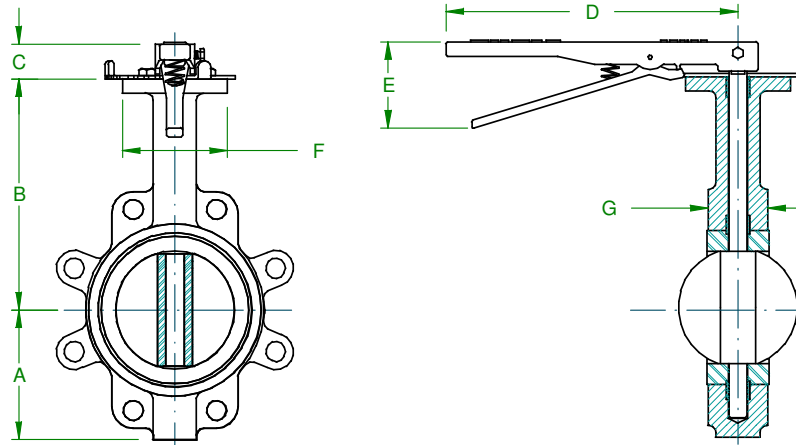
This specification is provided for reference only. Conbraco reserves the right to change any portion of this specification without notice and without incurring obligation to make such changes to Conbraco products previously or subsequently sold.



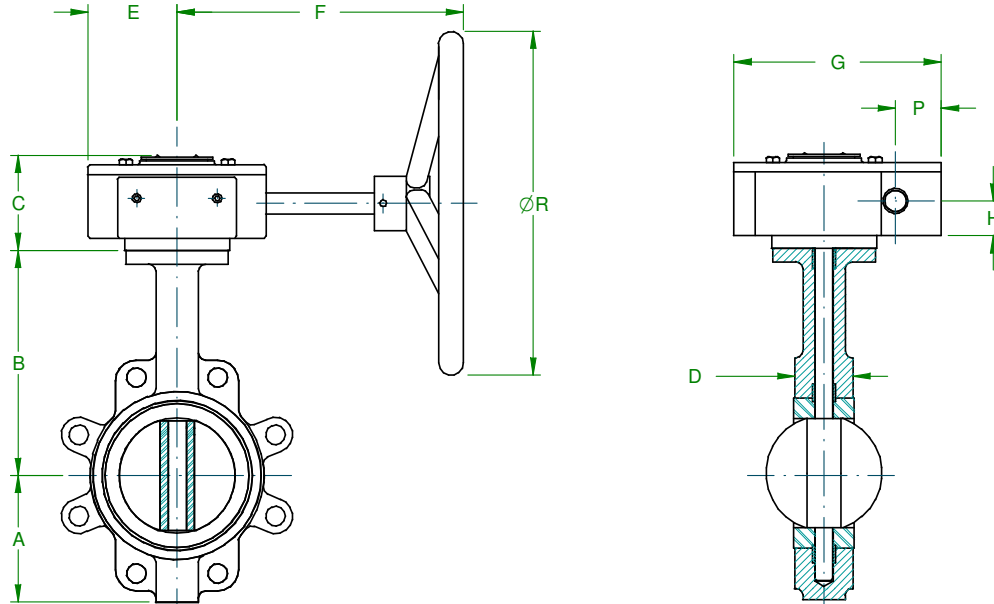
# LC149 Series

## Contractor Grade Butterfly Valves

### DIMENSIONS



SIZE (IN)	A	B	C	D	E	F	G
2	3.25	6.38	1.25	10.50	3.00	2.70	1.75
2.5	3.75	6.88	1.25	10.50	3.00	2.70	1.88
3	4.00	7.13	1.25	10.50	3.00	2.70	1.88
4	4.88	7.88	1.25	10.50	3.00	2.70	2.13
5	5.38	8.38	1.25	10.50	3.00	2.70	2.25
6	5.88	8.88	1.25	10.50	3.00	2.70	2.25
8	7.13	10.25	2.00	14.00	3.75	4.61	2.50



SIZE (IN)	A	B	C	D	E	F	G	H	P	ØR
6.00	5.88	8.88	3.38	2.25	3.09	9.16	7.20	1.45	1.58	11.88
8.00	7.13	10.25	3.38	2.50	3.25	9.48	8.00	1.62	1.50	11.88
10.00	8.25	11.50	3.38	2.75	3.25	9.48	8.00	1.62	1.50	11.88
12.00	9.75	13.25	3.38	3.13	3.25	9.48	8.00	1.62	1.50	11.88

Conbraco Industries, Inc. 701 Matthews Mint Hill Rd. Matthews NC 28106 USA; [www.Apollovalves.com.com](http://www.Apollovalves.com.com) ; 704-841-6000

This specification is provided for reference only. Conbraco reserves the right to change any portion of this specification without notice and without incurring obligation to make such changes to Conbraco products previously or subsequently sold.