

spirax sarco

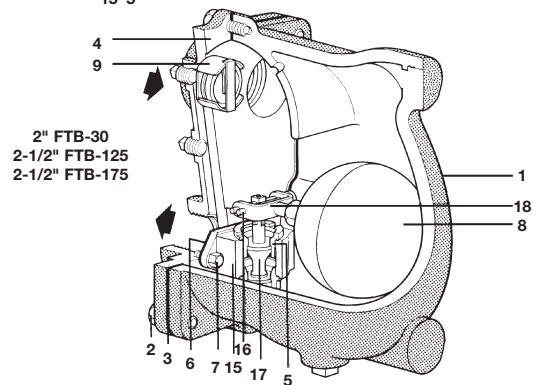
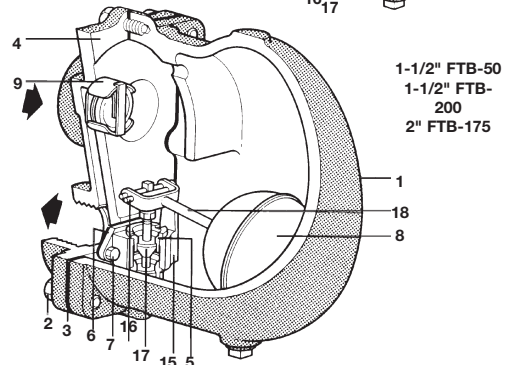
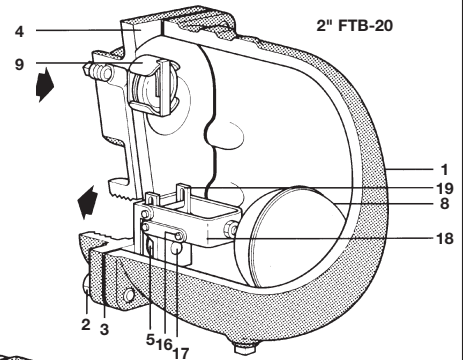
Cast Iron Float & Thermostatic Steam Traps FTB Super Capacity Series

The trap contains a float valve mechanism which modulates to discharge condensate continuously at steam temperature. Non-condensable gases are released by a separate internal balanced pressure thermostatic air vent.

Model	FTB-20	FTB-30	FTB-50	FTB-125	FTB-175	FTB-200
PMO	20 psig	30 psig	50 psig	125 psig	175 psig	200 psig
Sizes	2"	2"	1-1/2"	2-1/2"	2", 2-1/2"	1-1/2"
Connections	NPT					
Construction	Cast Iron Body Stainless Steel Internals					
Options	Gauge glass, Vacuum Breaker					

Typical Applications

All process heat exchange equipment, particularly when controlled by modulating temperature control valves; unit heaters and air heating coils.



Construction Materials

No.	Part	Material	
1	Body	Cast Iron	ASTM A126 CL B
2	Cover Screws	Carbon Steel	ASTM A449 Type 1
3	Cover Gasket	Graphite	
4	Cover	Cast Iron	ASTM A126 CL B
5	Valve Seat	Stainless Steel	
6	Valve Seat Gasket	Stainless Steel (FTB-20)	
	Valve Assembly Gasket	Graphite	
7	Main Valve Assembly Screws	Stainless Steel ASTM A193 Grade B8	
8	Ball Float	Stainless Steel	
9	Air Vent Assembly	Stainless Steel	
	Air Vent Head	Stainless Steel	
	Air Vent Seat	Stainless Steel	
15	Main Valve Assy Housing	Stainless Steel	
16	Pivot Pin	Stainless Steel	
17	Valve Head	Stainless Steel (FTB-20, 175, 200) Cast Stainless Steel (FTB-30, 125, 200)	
18	Float Arm	Stainless Steel	
19	Seat Bracket	Stainless Steel (FTB-20)	
	Head Bracket, Stop, Link	Stainless Steel (FTB-20)	

For Capacities, see TI-2-317-US

Limiting Operating Conditions

Max. Operating Pressure (PMO)	FTB-20: 20 psig	(1.4 barg)
	FTB-30: 30 psig	(2.1 barg)
	FTB-50: 50 psig	(3.4 barg)
	FTB-125: 125 psig	(8.6 barg)
	FTB-175: 175 psig	(12.1 barg)
Max. Operating Temperature	FTB-200: 200 psig	(14.0 barg)
	450°F @ 200 psig	

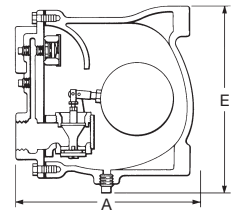
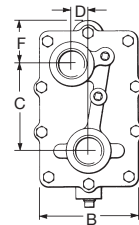
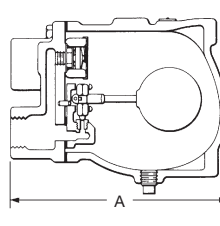
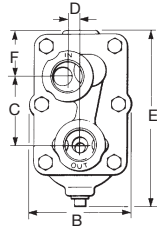
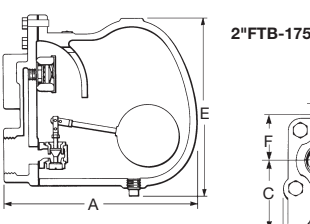
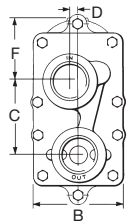
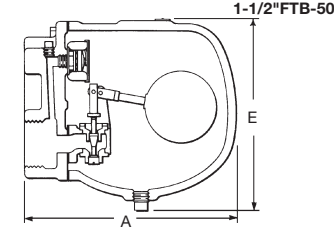
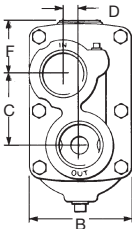
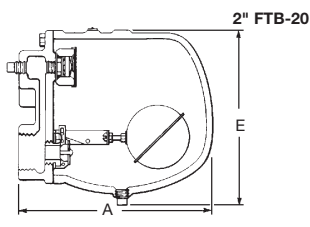
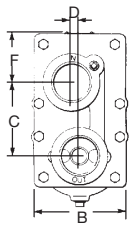
Pressure Shell Design Conditions

PMA Max. allowable temp.	FTB-125	175 psig/up to 450°F	12.1 barg/up to 232°C
	FTB-175		
	FTB-200	200 psig/up to 450°F	14 barg/up to 232°C
	FTB-20		
	FTB-30	125 psig/up to 450°F	8.6 barg/up to 232°C
FTB-50			
FTB-50			
TMA Max. allowable temp.	FTB-125	450° F/0-175 psig	232°C/0-12.1 barg
	FTB-175		
	FTB-20	450° F/0-125 psig	232°C/0-8.6 barg
	FTB-30		
	FTB-50		
FTB-200	450°F/0-200 psig		

Local regulation may restrict the use of this product below the conditions quoted. Limiting conditions refer to standard connections only. In the interests of development and improvement of the product, we reserve the right to change the specification.

Cast Iron Float & Thermostatic Steam Traps

FTB Super Capacity Series



Dimensions (nominal) in inches and millimeters							
Type & Size	A	B	C	D	E	F	Weight
FTB-20 2"	12.2 309	5.9 149	4.5 114	0.5 13	10.7 271	3 76	43 lb 19.5 kg
FTB-30 2"	15.25 387	9.25 235	7.25 184	1.4 35	15.6 397	3.75 95	89 lb 40.4 kg
FTB-50 1-1/2"	8.8 224	4.25 108	3 76	0.68 17	8.3 211	2.5 64	22 lb 10.0 kg
FTB-125 2-1/2"	15.6 390	9.25 235	7.25 184	1.4 35	15.6 397	3.75 95	90 lb 40.8 kg
FTB-175 2"	12.1 306	5.9 149	4.5 114	0.5 13	11.8 300	4 102	48 lb 21.8 kg
FTB-175 2-1/2"	15.4 390	9.25 235	7.25 184	1.4 35	15.6 397	3.75 95	90 lb 40.8 kg
FTB-200 1-1/2"	10.8 273	5.8 146	3 76	0.6 14	9.1 232	2.3 64	31 lb 14.1 kg

1-1/2" FTB-200

2" FTB-30, 2-1/2" FTB-125 & 175

Installation

A pipeline strainer should be installed ahead of any steam trap. Full-port isolating valves should be placed to permit servicing. The trap should be installed below the drainage point of the equipment with a collecting leg before the trap, in a position with the float arm in a horizontal plane so that the float rises and falls vertically, and with the direction of flow as indicated on the cover. Refer to IM-2-300-US for complete instructions.

Maintenance

This product can be maintained without disturbing the piping connections. Complete isolation from both supply and return line is required before any servicing is performed.

The trap should be disassembled periodically for inspection and cleaning of the valve head and seat, and operating mechanism.

Worn or damaged parts should be replaced using a complete valve mechanism assembly and/or air vent assembly.

Complete installation and maintenance instructions are given in IM-2-300-US, which accompanies the product.

Sample Specification

Steam traps shall be of the mechanical float type having cast iron bodies, NPT connections, and stainless steel valve heads and seats. Incorporated into the trap body shall be a stainless steel balanced pressure thermostatic air vent capable of withstanding 450°F and resisting waterhammer without sustaining damage. Internals of the trap shall be completely servicable without disturbing the piping.

Spare Parts	
Gasket Kit (3 of each)	B, E
Gasket Kit (3 of each) FTB-20	B, E
Air Vent Kit	H, J, L, M, N, V
Valve Mechanism Kit (less float)	D, E, F
Float	P

TI-2-315-US 8.16