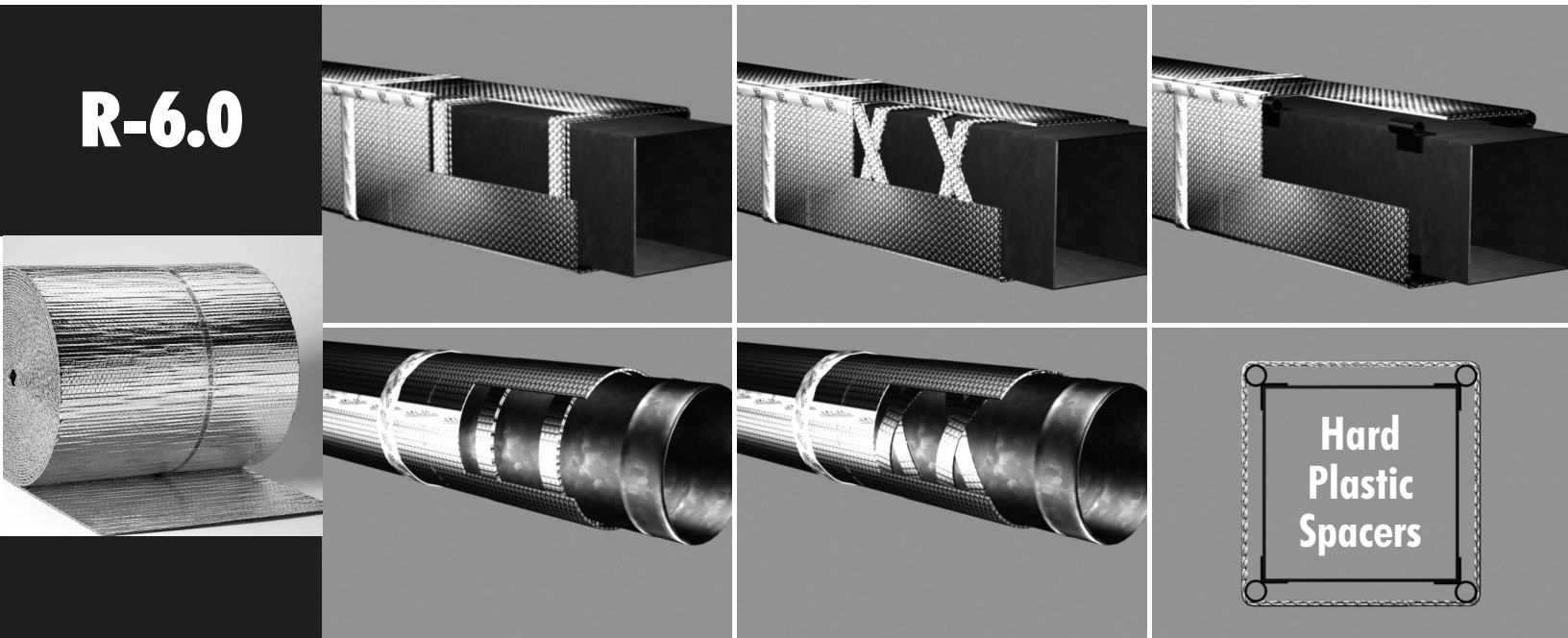


DUCT INSULATION R-6.0

MANUFACTURER'S SUGGESTED INSTALLATION INSTRUCTIONS



Note: Installation instructions/illustrated drawings are recommendations only, proper local construction methods are the responsibility of the installer.

1. SPACER PERPENDICULAR TO DUCT DIRECTION METHOD - **SPACER:** HVSPW02025 - REFLECTIX® SPIRAL PIPE WRAP 2"x 25'

- Refer to the two left hand diagrams above. Make sure all sheet metal joints, seams and penetrations are sealed.
- Double wrap and secure spacer material to the duct at 24" to 36" intervals. Use a UL 181 approved tape to fasten the spacer in place.
- Verify the circumference of the duct at the mid-point of a spacer strip. Cut the Reflectix® product to this length plus 1".
- Wrap the product around the duct and securely tape the linear and circumference seams (overlapping 1" - 2") with a UL 181 approved tape (goal is an air-tight, snug seam seal). Do not leave any exposed duct or space where air can enter between the duct and the Reflectix®.

2. SPACER WRAPPED IN CANDY CANE FASHION METHOD - **SPACER:** HVSPW02025 - REFLECTIX® SPIRAL PIPE WRAP 2"x 25'

- Refer to the two center diagrams above. Make sure all sheet metal joints, seams and penetrations are sealed.
- Double wrap and secure spacer material to the duct in a candy cane fashion. First, proceed down the duct in one direction then reverse direction and crisscross (overlap) the spacer in the other direction. Use a UL 181 approved tape to fasten the spacer in place.
- Verify the circumference of the duct with the spacer strips in place. Cut the Reflectix® product to this length plus 1".
- Wrap the product around the duct and securely tape the linear and circumference seams (overlapping 1" - 2") with a UL 181 approved tape (goal is an air-tight, snug seam seal). Do not leave any exposed duct or space where air can enter between the duct and the Reflectix®.

3. HV SPACERS AFFIXED TO CORNERS METHOD (RECTANGULAR DUCTS ONLY)

SPACER: HVSPACER - REFLECTIX® HARD PLASTIC CORNER SPACER

- Refer to the two right hand diagrams. Make sure all sheet metal joints, seams and penetrations are sealed.
- Make sure the duct is free from dust and dirt by wiping it down with a shop rag.
- Install the HV Spacers to all 4 corners of the duct. Place the spacers every 24".
- Verify the circumference of the duct over the top of the spacers. Cut the Reflectix® product to this length plus 1".
- Wrap the Reflectix® over the spacers. Fasten the Reflectix® by either taping the seam with a UL 181 approved tape, or plier stapling the two edges together (goal is an air-tight, snug seam seal).
- If the duct is supported with saddle clamps, make sure to install a spacer on the two bottom edges of the duct directly between the clamp and the duct. If the clamps are installed around the duct (such as plumbers tape), make sure that the seam is taped to prevent air movement.

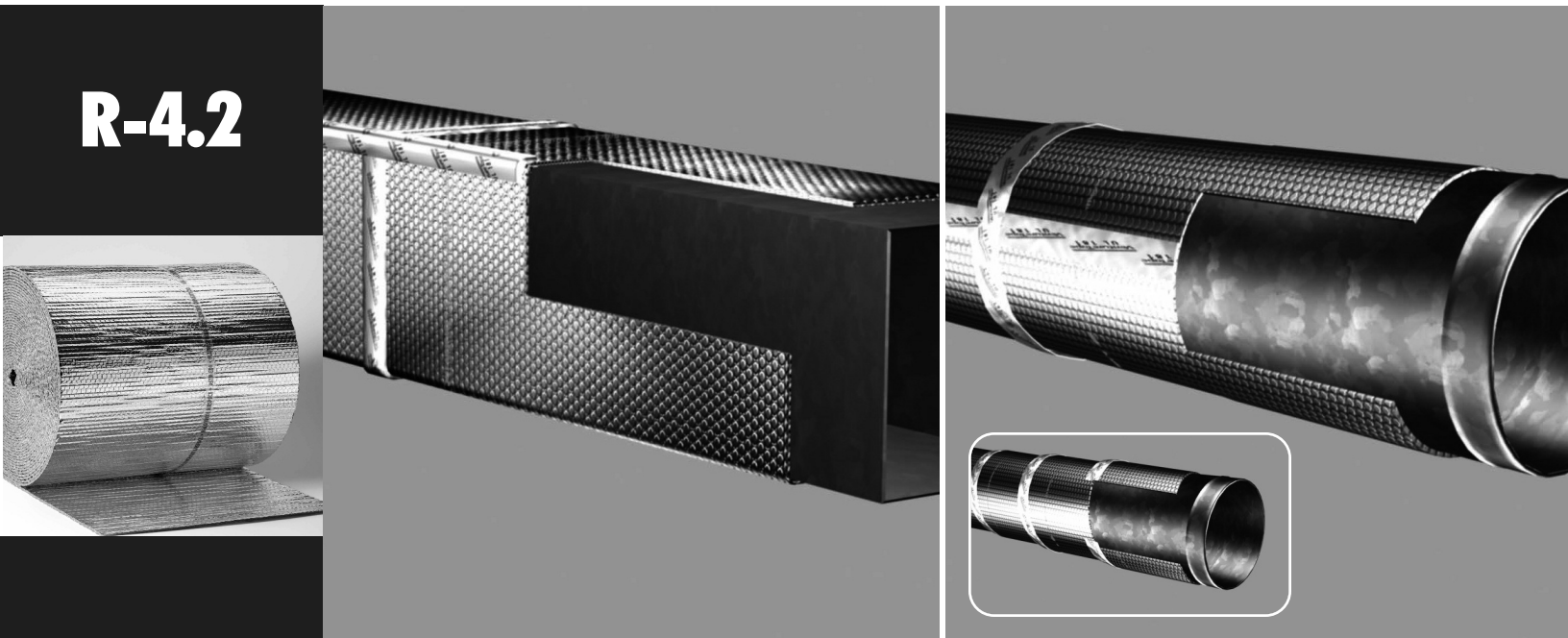
PLEASE NOTE REGARDING HANGERS:

Strap Hanger: Wrap Reflectix® with the seam at the hanger. Tape seam tightly around hanger.

Saddle Hanger: Make sure that there is a spacer below the hanger between the insulation and the duct to prevent the insulation from touching the duct.

DUCT INSULATION R-4.2

MANUFACTURER'S SUGGESTED INSTALLATION INSTRUCTIONS



Note: Installation instructions and illustrated drawings are recommendations only, while proper local construction methods are the responsibility of the installer.

1. STANDARD WRAP (CIRCUMFERENCE) - ROUND OR RECTANGULAR DUCTS

- Make sure all metal joints, seams and penetrations are sealed.
- Verify circumference of the duct.
- Cut the Reflectix® product to this length plus 1".
- Wrap the product around the duct and securely tape the linear and circumference seams (overlapping 1" - 2") with a UL 181 approved tape (goal is an air-tight, snug seam seal). Do not leave any exposed duct or space where air can enter between the duct and the Reflectix®.

2. SPIRAL WRAP DIRECTLY AGAINST DUCT - ROUND DUCTS

- Make sure all metal joints, seams and penetrations are sealed.
- Spiral wrap Reflectix® around the duct, overlapping 2" as you proceed.
- If necessary, trim width of product to accommodate bends or diameter changes in the duct.
- Securely tape seams with a UL 181 approved tape (goal is an air-tight, snug seam seal).
- Do not leave any exposed duct or space where air can enter between the duct and the Reflectix®.

PLEASE NOTE REGARDING HANGERS:

Strap Hanger: Wrap Reflectix® with the seam at the hanger. Tape seam tightly around hanger.