

# MODEL DPV-1 DRY PIPE PRE-TRIMMED VALVE

External Resetting, 2-1/2 through 6 inch, 250 psi

// Fully Assembled

// Pre-Tested

// Pre-Trimmed  
Plug-and-Play Valve



## Features & Benefits:

- // Reduces installation labor time, cost and risk
- // External reset
- // Includes butterfly valve, couplings/flange adapter, pressure switches and gauges
- // 250 psi (17,2 bar) pressure rating
- // Unique offset single-clapper design enabling a simple compact valve
- // Ductile iron construction reduces overall size of valve and trim for easy handling
- // Optional accelerators available

The Model DPV-1 Dry Pipe Valve is a differential valve that can be used to automatically control the flow of water into a dry pipe fire protection sprinkler system upon operation of one or more automatic sprinklers.

Dry pipe sprinkler systems are used in unheated warehouses, parking garages, attic spaces, loading docks, and other areas exposed to freezing temperatures, where water-filled pipe cannot be utilized.

The Model DPV-1 Dry Pipe Valve can also be used for actuation of fire alarms upon system operation. When set for service, the dry pipe sprinkler system is pressurized with air (or nitrogen).

The loss of pressure through an operated automatic sprinkler in response to heat from a fire would permit the Model DPV-1 Dry Pipe Valve to open and allow a flow of water into the sprinkler system piping.

## AVAILABLE END CONNECTIONS AND SIZES

Nominal Valve Sizes

End Connections	2-1/2" (DN65)	3" (DN80)	4" (DN100)	6" (DN150)
FLANGE X FLANGE	N/A	N/A	145 lbs*	208 lbs*
FLANGE X GROOVE	N/A	N/A	135 lbs*	195 lbs*
GROOVE X GROOVE	87 lbs*	90 lbs*	121 lbs*	175 lbs*

■ Available    N/A Not Available    \* Nominal weight of valve and trim combined.

# PRODUCT SPECIFICATIONS

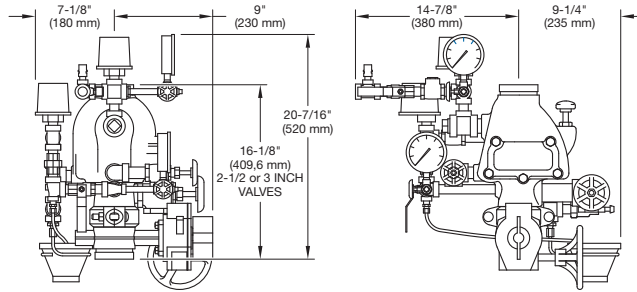
## VALVE SIZE, CONNECTIONS & NOMINAL VALVE AND TRIM WEIGHT

### 2-1/2" (DN65)

Groove x Groove

**P/N:** 52-310-3-925

**WEIGHT:** 87 lbs

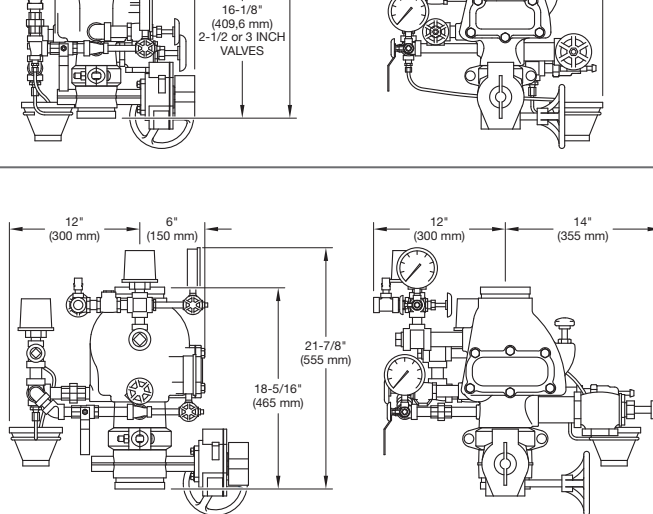


### 3" (DN80)

Groove x Groove

**P/N:** 52-310-3-930

**WEIGHT:** 90 lbs



### 4" (DN100)

Groove x Groove

**P/N:** 52-310-3-940

**WEIGHT:** 121 lbs

Flange x Groove

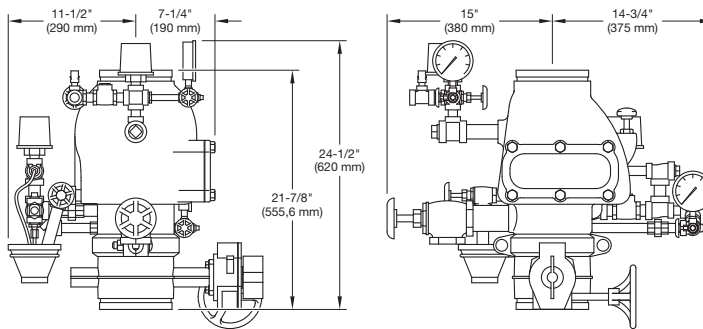
**P/N:** 52-310-3-440

**WEIGHT:** 135 lbs

Flange x Flange

**P/N:** 52-310-3-040

**WEIGHT:** 145 lbs



### 6" (DN150)

Groove x Groove

**P/N:** 52-310-3-960

**WEIGHT:** 175 lbs

Flange x Groove

**P/N:** 52-310-3-460

**WEIGHT:** 195 lbs

Flange x Flange

**P/N:** 52-310-3-060

**WEIGHT:** 208 lbs

## OPTIONAL ACCELERATORS

### Model QRS

#### Electronic Accelerator

(Details provided in TFP1100)

Specify: Model QRS Electronic

Dry Pipe Accelerator

Package

**P/N:** 52-312-2-102



### Model ACC-1

#### Mechanical Accelerator

(Details provided in TFP1112)

Specify: Model ACC-1 Dry Pipe

Accelerator Package

**P/N:** 52-311-1-001



Galvanized Accelerator

Trim for Model DPV-1

Dry Pipe Valve

**P/N:** 52-311-2-010

## VIZOR

### Electronic Accelerator

(Details provided in TFP1105)

Specify: VIZOR Electronic Dry

Pipe Accelerator (EDPA) with the

Model EDPA Trim for use with

4 or 6 inch Model

DPV-1 Dry Pipe Valve

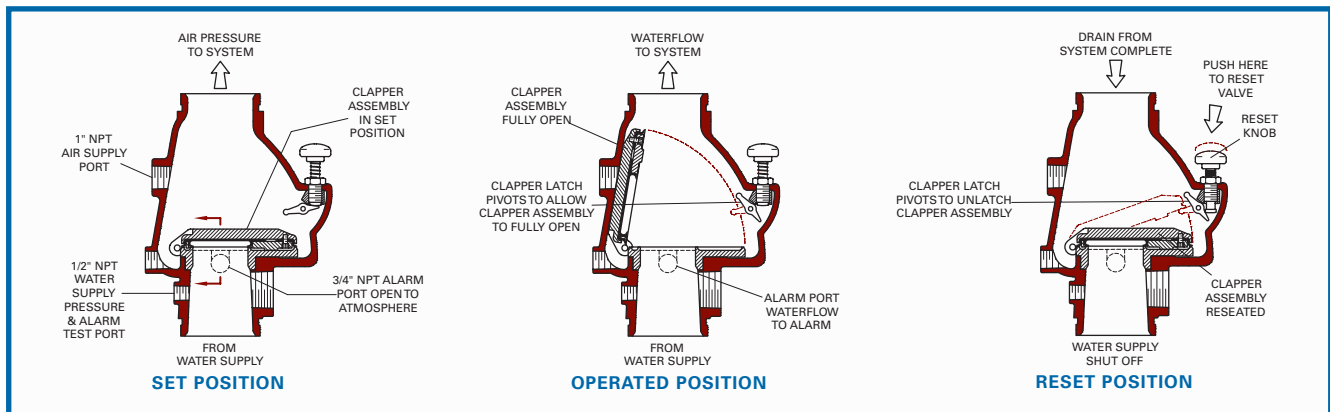
**P/N:** 52-312-3-001



VIZOR (EDPA)

(Switch only)

**P/N:** 52-312-3-000



Always refer to the Technical Data Sheet TFP1020 for complete description of all Listing criteria, design parameters, installation instructions, care and maintenance guidelines, and our limited warranty.

Tyco Fire Protection Products  
www.tyco-fire.com

Technical Services - Phone: 800-381-9312  
Fax: 800-791-5500

All brand names, product names or trademarks belong to their respective owners. Tyco Fire Protection Products reserves the right to change product design and specifications without notice. Copyright © 2014 Tyco Fire Products LP. All rights reserved.

TFP-2014009