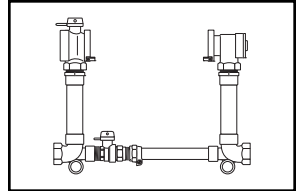


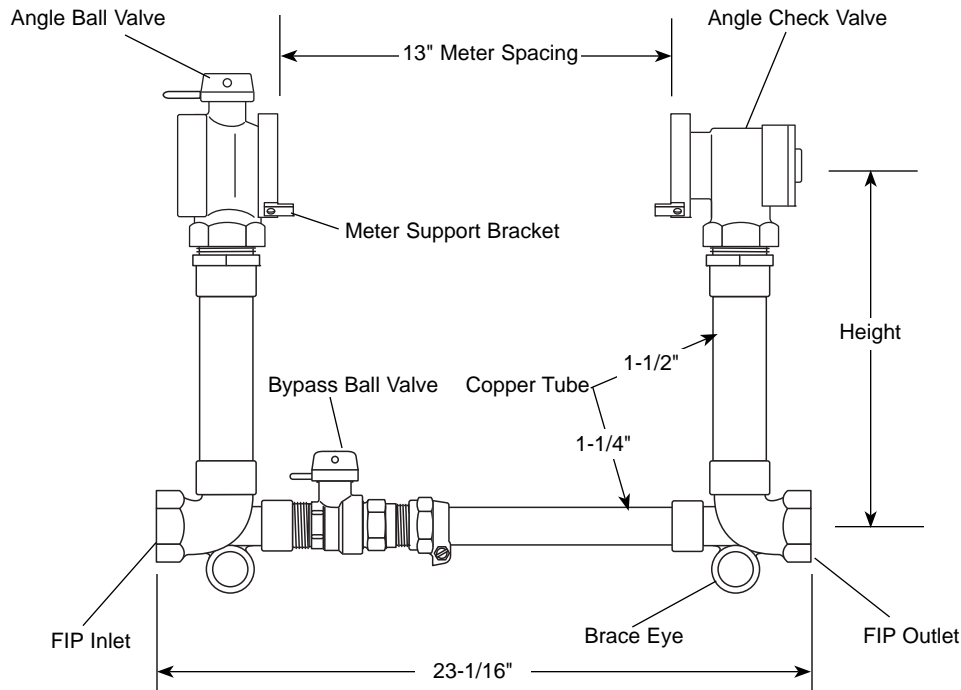
# SUBMITTAL INFORMATION

## 70 Series Coppersetter - (VBH76-xxB-11-66-NL style)



### ANGLE BALL VALVE BY ANGLE CHECK VALVE (1-1/2" METER)

### FEMALE IRON PIPE THREAD INLET AND OUTLET



SERVICE LINE CONNECTION		HEIGHT	APPROX. Wt. LBS.	CATALOG NUMBER	✓ SUBMITTED ITEM(S)
FIP INLET	FIP OUTLET				
1-1/2"	1-1/2"	12"	30	VBH76-12B-11-66-NL	
		15"	31	VBH76-15B-11-66-NL	
		18"	32	VBH76-18B-11-66-NL	
		21"	32	VBH76-21B-11-66-NL	
		24"	33	VBH76-24B-11-66-NL	
		27"	33	VBH76-27B-11-66-NL	

### FEATURES

- All brass that comes in contact with potable water conforms to AWWA Standard C800 (UNS NO C89833 )
- Brass components that do not come in contact with potable water conform to AWWA Standard C800 (ASTM B-62 and ASTM B-584, UNS NO C83600 - 85-5-5-5)
- The product has the letters "NL" cast into the main body for proper identification
- Constructed with Type K Copper
- Copper conforms to ASTM B-88, Copper alloy #122
- Bracing Eyes are standard
- Meter Support Brackets are standard
- All Ford Meter Setters are assembled with Lead-Free Solder
- Optional High Bypass - add "HB" following the height. Example: VBH76-12HB-11-66-NL
- 1-5/8" O.D. Copper risers provide more flow capacity

The Ford Meter Box Company considers the information in this submittal form to be correct at the time of publication. Item and option availability, including specifications, are subject to change without notice. Please verify that your product information is current.



#### The Ford Meter Box Company, Inc.

P.O. Box 443, Wabash, Indiana U.S.A. 46992-0443

Phone: 260-563-3171 / Fax: 800-826-3487

Overseas Fax: 260-563-0167

<http://www.fordmeterbox.com>

08/17/11

Submitted By: