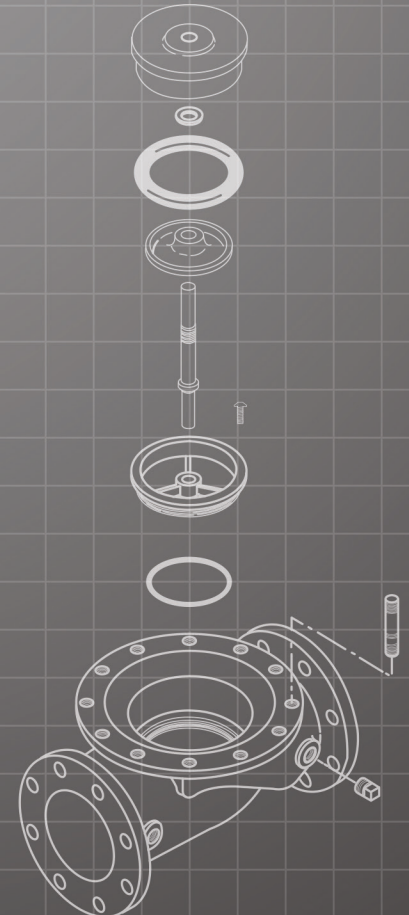
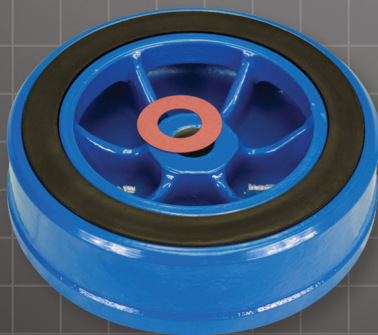
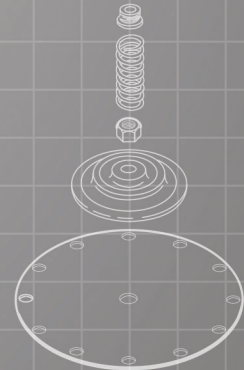
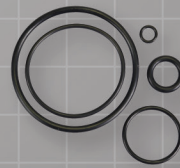
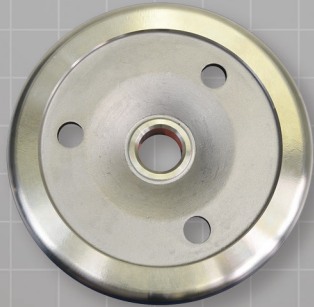




REPAIR KITS & PARTS LISTS

Main & Pilot Control Valves





Main Valve + Pilot Repair Kits

90-01/690-01	3
50-01/650-01	4
60/61 Series	5

Main Valve Repair Kits

100-01	6
--------	---

Pilot Control Repair Kits

CDB	8
CDB-7	8
CDH-2	8
CDHS-2	8
CDHS-2B	8
CDHS-2F	8
CDHS-3C-A2	8
CDHS-8A	8
CDHS-18	8
CDS-4	8
CDS-5	8
CDS-6	8
CDS-6A	8
CDS-7 (CDS-7DO)	8
CFM-2	8
CFM-9	8
CFCM-M1	8
CFM-7 & 7-A	8
CRA (with Bucking Spring)	8
CRD (with Bucking Spring)	8
CRD (no Bucking Spring)	8
CRD-18	8
CRD40 1/2" & 3/4"	8
CRL (55F)	8
CRL-18	8
CRL-4A	8
CRL-5 (55B)	8
CRL-5A (55G)	8
CRL-60 (55L-60) 1/2" & 3/4"	8

CRL-60 (55L-60) 1"	8
CV	8
X102B-1	8
102C-2 & 3	8
Universal CRL/CRL-60 1/2"	8
CDB-KB	8
CRA-KB	8
CRD-KB	8
CRL-KB	8
CDHS-2B-KB	8
CDHS-2F-KB	8
CDHS-18-KB	8
102C-2-KB	8
102C-3-KB	8
CF1-C1	8
CF1-C1	8
CFC2-C1	8
CSM11-A2-2 (Mechanical Parts Assembly)	8
CSM11-A2-2 (Pilot Assembly Only)	8
CSM11 Exchange Program	8

Pilot Control Parts Lists

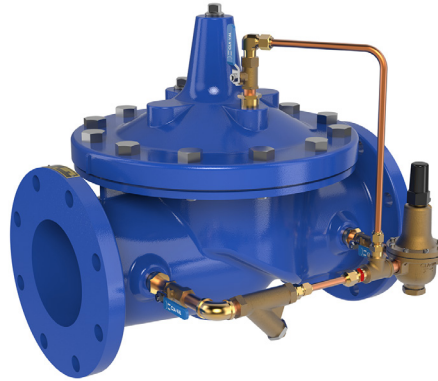
CDHS18	9
CF1/C1	10
CRA	11
CRD	12
CRL	13
CRL-60	14

Miscellaneous Repair Kits

33A	15
RP2/D-2	15
CDHS-20/24	15
RP-1	15
RP-1 EX	15
D-4	15
RP-4	15
700 Series	15

Model 90-01/690-01

Pressure Reducing Repair Kits
150/300 Pressure Class



Main Valve + Pilot Repair Kits



CRD Diaphragm



CRD Gasket



CRD Disc Retainer



Spacer Washers



Main Valve Disc



Main Valve Diaphragm

90-01	Part No.	690-01	Part No.
2"	20957481F	--	--
2-1/2"	20957482E	--	--
3"	20957483D	3"	20957481F
4"	20957484C	4"	20957483D
6"	20957485B	6"	20957484C
8"	20957486A	8"	20957485B
10"	20957487K	10"	20957486A
12"	20957488J	12"	20957487K
14	20957489H	14	20957488J
16	20957490E	16	20957488J

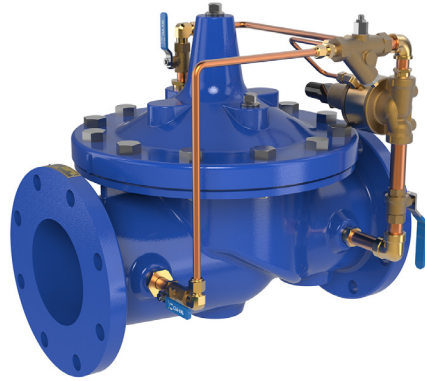
NOTE: Includes 300lb. diaphragm



Main Valve + Pilot Repair Kits

Model 50-01/650-01

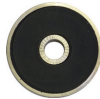
Pressure Relief Repair Kits
150/300 Pressure Class
(CRL/CRL-60 Universal Kit)



Assorted
O-Rings



CRL/CRL-60
Diaphragm



CRL
Disc Retainer



CRL-60
Stem
Assembly



Spacer
Washers



Main Valve
Disc



Main Valve
Diaphragm

50-01	Part No.	650-01	Part No.
2"	20957421J	--	--
2-1/2"	20957422H	--	--
3"	20957423G	3"	20957421J
4"	20957424F	4"	20957423G
6"	20957425E	6"	20957424F
8"	20957426D	8"	20957425E
10"	20957427C	10"	20957426D
12"	20957428B	12"	20957427C
14"	20957429A	14"	20957428B
16"	20957430H	16"	20957429A

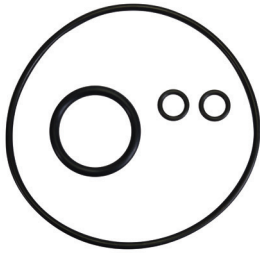
NOTE: Includes 300lb. diaphragm

Series 60 and 61

Pump Control Repair Kits



Main Valve + Pilot Repair Kits



Assorted O-Rings



Spacer Washers



Main Valve Disc



Main Valve Diaphragm

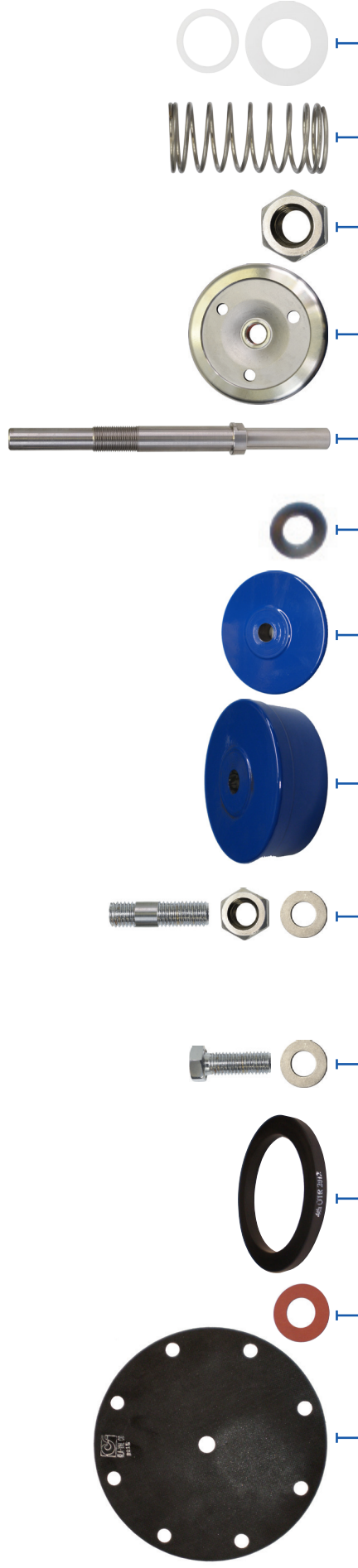
60/61 Series	Part No. (150lb.)	660/661 Series	Part No. (150lb.)
2"	20957461K	--	--
2-1/2"	20957462J	--	--
3"	20957463H	3"	20957461K
4"	20957464G	4"	20957463H
6"	20957465F	6"	20957464G
8"	20957466E	8"	20957465F
10"	20957467D	10"	20957466E
12"	20957468C	12"	20957467D
14"	20957469B	14"	20957468C
16"	20957470J	16"	20957469B

Applicable for Powertrol and Powercheck valves, **Not Hycheck**

Main Valve Repair Kits



Hytrol Main Valve Service Kits



Service Kit Type	Diaphragm	Spacer Washers	Disc (or Disc Assembly)	6" & BELOW		8" & ABOVE		Epoxy Coated Disc Retainer	Epoxy Coated Diaphragm Washer	Protective Washer	Stem	Stainless Steel Disc Guide	Stem Nut	Standard Cover Spring	Cover Washer
				Stainless Steel Bolts and Washers	Stainless Steel Studs, Nuts and Washers										
Rubber	✓	✓	✓	✗	✗	✗	✗	✗	✗	✗	✗	✗	✗	✗	✗
Repair Kit	✓	✓	✓					✓	✓	✓	✓	✗	✗	✗	✗
Rebuild Assembly	✓	✓	✓					✓	✓	✓	✓	✓	✓	✓	✓
Stud & Nut Kit	✗	✗	✗					✗	✗	✗	✗	✗	✗	✗	✗

Model 100-01 Hytrol Main Valve

Repair Kit - 150/300 Pressure Class



Size	RUBBER	REPAIR KIT	REBUILD ASSEMBLY	STUD & NUT KIT
	Part No.	Part No.	Part No.	Part No.
3/8"	9169801K		21176614B	21176633J
1/2"	9169802H	21176602F	21176615A	21176634H
3/4"	9169802H	21176602F	21176615A	21176634H
1"	9169804D	21176603E	21176617J	21176636F
1-1/4"	9169804D	21176603E	21176617J	21176636F
1-1/2"	9169804D	21176603E	21176617J	21176636F
2"	9169805A	21176608K	21176618H	21176637E
2-1/2"	9169811J	21176609J	21176619G	21176638D
3"	9169812G	21176604D	21176620D	21176639C
4"	9169813E	21176605C	21176621C	21176640K
6"	9169815K	21176606B	21176622B	21176641J
8"	9817901D	21176607A	21176623A	21176642H
10"	9817902B	21176610F	21176624K	21176643G
12"	9817903K	21176611E	21176625J	21176644F
14"	9817904H	21176612D	21176626H	21176645E
16"	9817905E	21176613C	21176627G	21176645E

NOTE: Includes 300lb. diaphragm

Model 100-20 Hytrol Main Valve

Repair Kit - 150/300 Pressure Class

Size	RUBBER	REPAIR KIT	REBUILD ASSEMBLY	STUD & NUT KIT
	Part No.	Part No.	Part No.	Part No.
3"	9169805A	21176608K	21176618H	21176637E
4"	9169812G	21176604D	21176620D	21176639C
6"	9169813E	21176605C	21176621C	21176640K
8"	9169815K	21176606B	21176622B	21176641J
10"	9817901D	2117607A	21176623A	21176642H
12"	9817902B	21176610F	21176624K	21176643G
14"	9817903K	21176611E	21176625J	21176644F
16"	9817903K	21176611E	21176625J	21176644F

NOTE: Includes 300lb. diaphragm

Main Valve Repair Kits



Repair Kits for Pilot Control Valves

Buna-N (Standard Material)	
Pilot Control	Kit Stock No.
CDB	9170006C
CDB-7	9170017K
CDH-2	18225D
CDHS-2	44607A
CDHS-2B	9170004H
CDHS-2F	9170005E
CDHS-3C-A2	24657K
CDHS-8A	2666901A
CDHS-18	9170003K
CDS-4	9170014G
CDS-5	14200A
CDS-6	20119301A
CDS-6A	20349401C
CDS-7 (CDS-7DO)	20349402B
CFM-2	12223E
CFM-9	12223E
CFCM-M1	1222301C
CFM-7 & 7-A	1263901K
CRA (w/bucking spring) 2-7psi, 2-30psi	9170001D
CRA (no bucking spring) 15-75psi, 20-105psi, 30-300psi	20153404F
CRD (w/bucking spring) 2-7psi, 2-30psi	9170002B
CRD (no bucking spring) 15-75psi, 20-105psi, 30-300psi	9170003K
CRD-18	20275401K
CRD40 1/2" & 3/4"	20348406K
CRL (55F)	9170007A
CRL-18	20309801C
CRL-4A	43413E
CRL-5 (55B)	65755B
CRL-5A (55G)	20666E
CRL-60 (55L-60) 1/2" & 3/4" 0-75psi, 20-105psi, 20-200psi, 100-300psi	9170033G
CRL-60 (55L-60) 1"	9170042H
CV	9170019F
X102B-1	1502201F
102C-2 & 3 (includes new stem)	1726201F
CRL/CRL-60 Universal Repair Kit - 1/2"	9170041K

Viton (For KB Controls)	
Pilot Control	Kit Stock No.
CDB-KB	9170012A
CRA-KB	20153408B
CRD-KB	20153406D
CRL-KB	9170013J
CDHS-2B-KB	9170010E
CDHS-2F-KB	9170011C
CDHS-18-KB	9170009G
102C-2-KB	1726202D
102C-3-KB	1726202D

Repair Assemblies (In Standard Materials Only)		
Control	Description	Stock No.
CF1-C1	Pilot Assembly Only	89541H
CF1-C1	Complete Float Control less Ball & Rod	89016A
CFC2-C1	Disc, Distributor & Seals	2674701E
CSM11-A2-2	Mechanical Parts Assembly	97544B
CSM11-A2-2	Pilot Assembly Only	18053K
*CSM-11 Exchange Program		
CSM11 (Std)	Complete Assembly	1002302G
CSM11 (HC)	Complete Assembly	21065701A
CSM11 (Std)	Distributor Only	18053K
CSM11 (HC)	Distributor Only	21149801B

Supplied Shrink Wrapped
Includes: Diaphragm, Disc (or Disc Assembly), O-Rings,
Gaskets and spare Screws, as appropriate

***CSM-11 Exchange Program:**

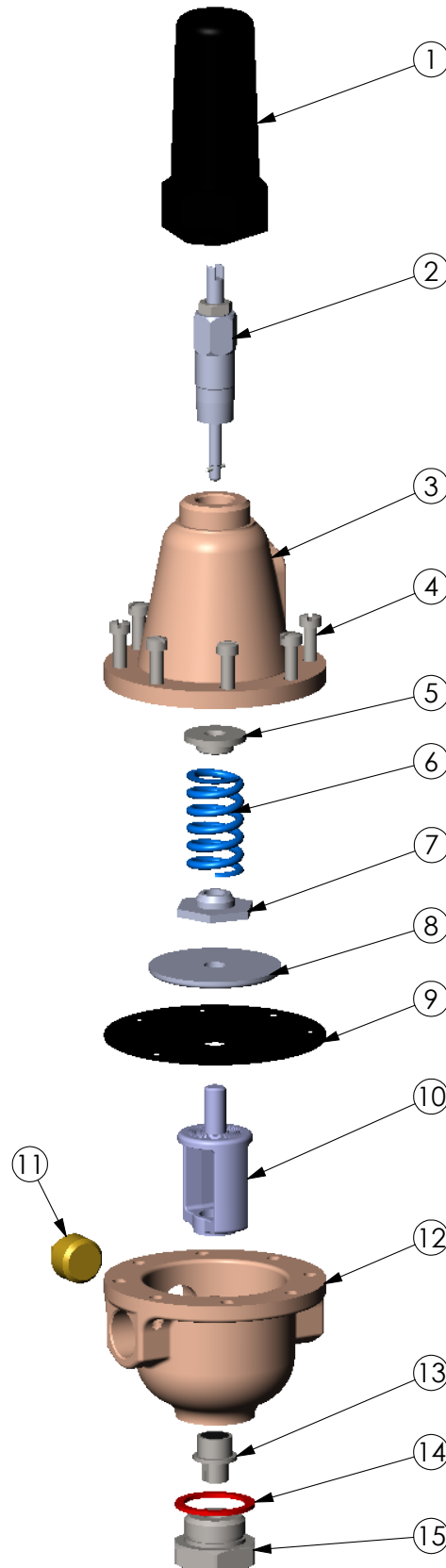
Items are shipped to the factory for exchange for a previously
refurbished item. Each unit is tested prior to shipment.
Return shipping from factory included.

Model CDHS-18

Differential/Flow Limiting Pilot Control



ITEM #	DESCRIPTION	PART NO.
1	CAP PVC	1257601D
2	ADJ. STEM ASSEMBLY	C2003G
3	COVER	C6657F
4	SCREW	6795312F
5	SPRING GUIDE	C1510B
6	SPRING	36773A
7	DIAPHRAGM NUT	32911A
8	DIAPHRAGM WASHER	32913G
9	DIAPHRAGM	C6936D
10	YOKE	37137H
11	PLUG, P HXH 3/8	6766003F
12	BODY & SEAT ASSEMBLY	8339702G
12 (A)	BODY	8339301H
12 (B)	SEAT	8339601A
13	DISC RETAINER ASSEMBLY	37133G
14	GASKET	40174F
15	PLUG, BODY BRASS	V5653A



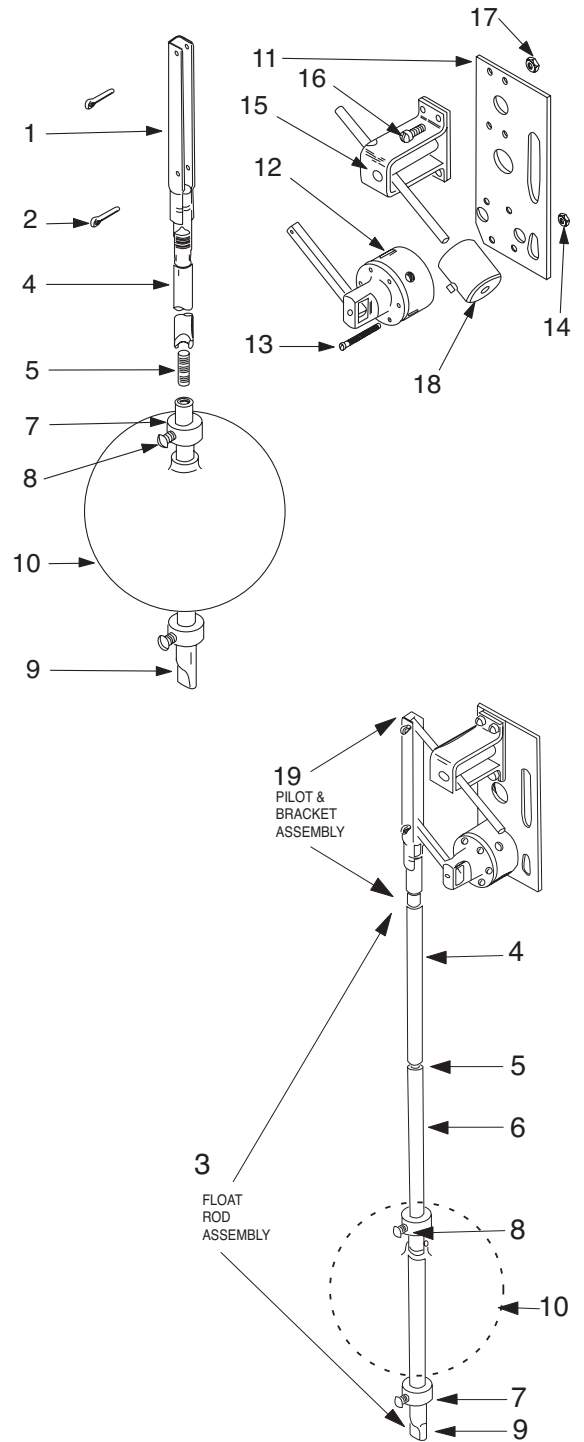
Pilot Control Parts Lists



Model CF1/C1

Float Control For Open Tanks

ITEM #	DESCRIPTION	PART NO.
1	LINK ASSEMBLY	V8316B
2	COTTER PIN	6799327K
3	FLOAT ROD ASSY 24" PVC	8829902K
	FLOAT ROD ASSY 24" BRASS	8000102H
	FLOAT ROD ASSY 24" SS	9385002C
4	UPPER FLOAT ROD 12" PVC	88298F
	UPPER FLOAT ROD 12" BRASS	V6880J
	UPPER FLOAT ROD 12" SS	C3536E
5	FLT ROD CONNECT STUD BRASS	88264H
	FLT ROD CONNECT STUD SS	C3537C
6	EXTENSION FLOAT ROD 12" PVC	88297H
	EXTENSION FLOAT ROD 12" BRS	V6882E
	EXTENSION FLOAT ROD 12" SS	C6185H
7	STOP COLLAR PVC (2 REQ'D)	38097C
	STOP COLLAR BRS (2 REQ'D)	V0274A
	STOP COLLAR SS (2 REQ'D)	V6871H
8	SET SCREW (STOP COLLAR PVC)	6798837J
	SET SCREW (STOP COLLAR SS)	6824421K
9	LOWER FLOAT ROD 12" PVC	88292J
	LOWER FLOAT ROD 12" BRS	39940C
	LOWER FLOAT ROD 12" SS	39942J
10	FLOAT BALL PLASTIC	C9253A
	FLOAT BALL STAINLESS STEEL	C0648A
11	BASE & MOUNTING PLATE	V6364D
12	PILOT VALVE ASSEMBLY	89541H
13	SCREW (6 REQ'D)	6757530J
14	NUT, HEX (6 REQ'D)	6787206K
15	COUNTER BALANCE BRKT ASSY	45569B
16	SCREW (4 REQ'D)	6757822K
17	NUT, HEX (4 REQ'D)	6779506C
18	CTRWT C/W SET SCREWS 1-5' PVC	20160501C
	CTRWT C/W SET SCREWS 6-10' PVC	20160502B
	CTRWT C/W SET SCREWS 11-20' PVC	20160503A
19	PILOT & BRACKET ASSEMBLY	89016A

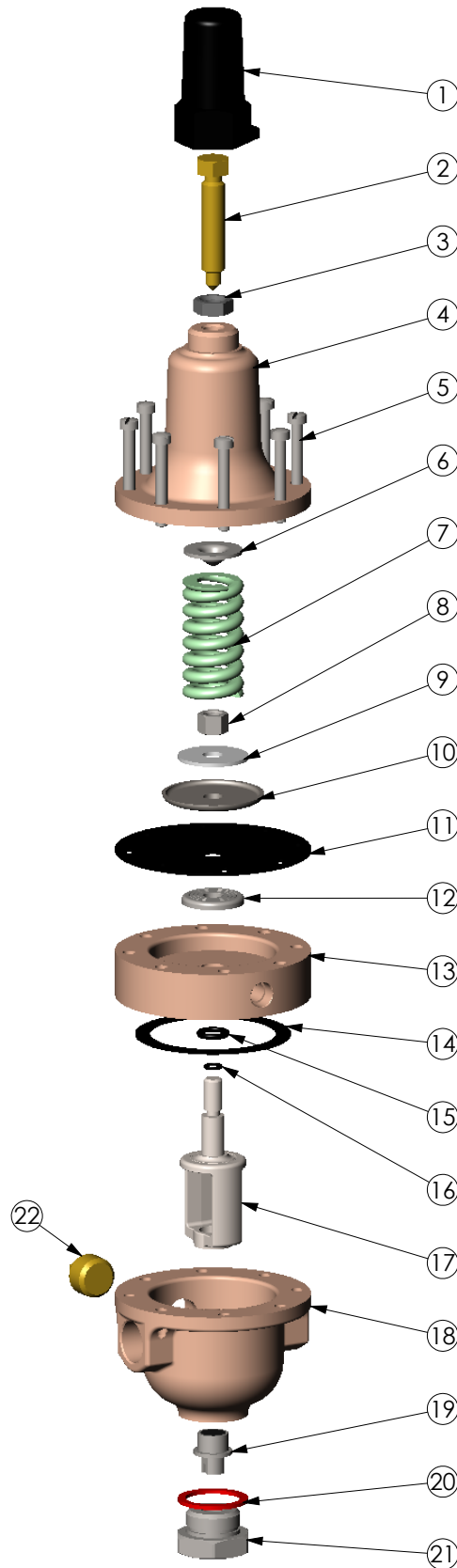


Model CRA

Pressure Reducing Pilot Control



ITEM #	DESCRIPTION	PART NO.
1	CAP PLASTIC	67628J
2	ADJUSTING SCREW	7188201D
3	JAM NUT 3/8-16	6780106J
4	COVER BRASS	C2544K
5	SCREW	6795025D
6	SPRING GUIDE UPPER	71881H
7	SPRING	
	PSI RANGE - 2-30	81594E
	PSI RANGE - 15-75	71884B
	PSI RANGE - 30-300	71885J
8	HEX NUT 303 SS	71883D
9	BELLEVILLE WASHER	7055007E
10	DIAPHRAGM WASHER UPPER	71891G
11	DIAPHRAGM	C6936D
12	DIAPHRAGM WASHER LOWER	C1804J
13	BODY, POWERROL BRASS	C3388A
14	GASKET BUNA-N CORK	8059401D
15	O-RING, PU BODY	00746J
16	O-RING, STEM	00708J
17	YOKE	36772C
18	BODY & SEAT ASSEMBLY	8339702G
18 (A)	BODY	8339301H
18 (B)	SEAT	8339601A
19	DISC RETAINER ASSEMBLY	
	PSI RANGE - 1-7, 2-30	C8348K
	PSI RANGE - 15-75; 30-300	37133G
20	GASKET FIBER PLUG	40174F
21	PLUG, BODY BRASS	V5653A
22	PLUG, P HXH 3/8	6766003F



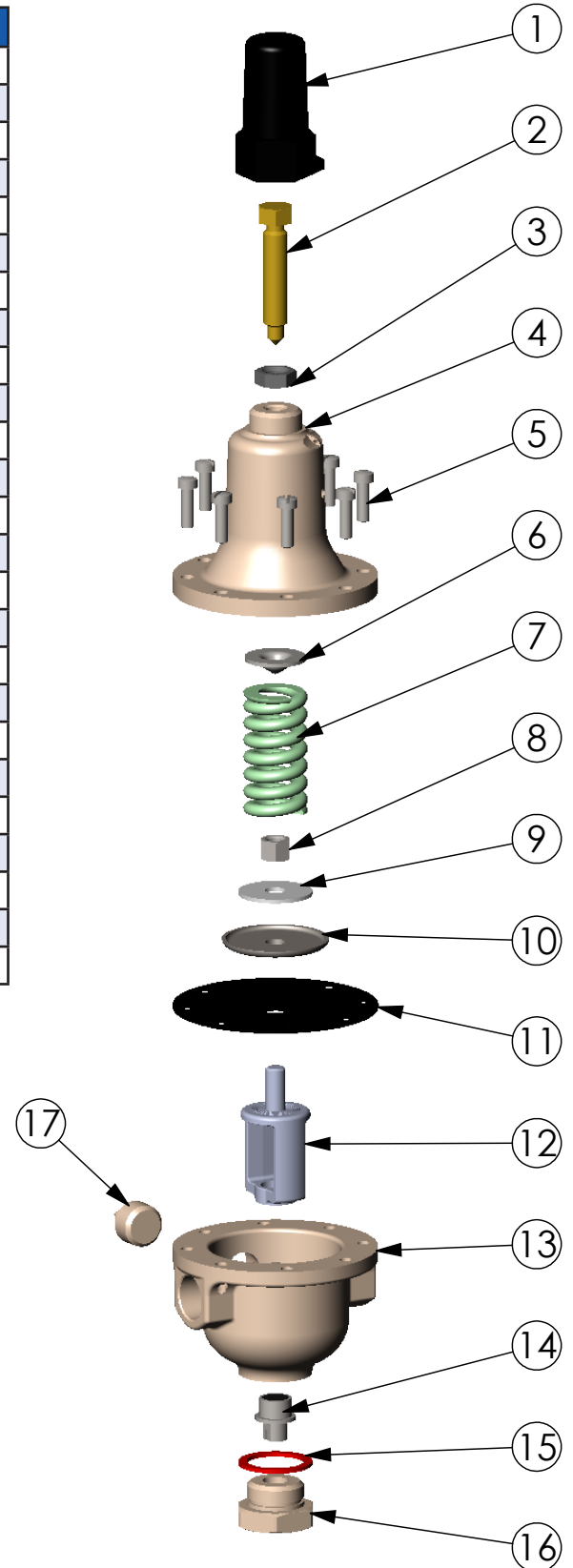
Pilot Control Parts Lists



Model CRD

Pressure Reducing Pilot Control

ITEM #	DESCRIPTION	PART NO.
1	CAP PLASTIC	67628J
2	ADJUSTING SCREW	7188201D
3	JAM NUT 3/8-16	6780106J
4	COVER	C2544K
5	SCREW	6795312F
6	SPRING GUIDE	71881H
7	SPRING	
	PSI RANGE - 1-7	82575C
	PSI RANGE - 2-30	81594E
	PSI RANGE - 15-75	71884B
	PSI RANGE - 30-300	71885J
8	HEX NUT 303 SS	71883D
9	BELLEVILLE WASHER	7055007E
10	DIAPHRAGM WASHER	71891G
11	DIAPHRAGM	C6936D
12	YOKE	37137H
13	BODY & SEAT ASSEMBLY	8339702G
13 (A)	BODY	8339301H
13 (B)	SEAT	8339601A
14	DISC RETAINER ASSEMBLY	
	PSI RANGE - 1-7, 2-30	C8348K
	PSI RANGE - 15-75, 30-300	37133G
15	GASKET RED FIBER	40174F
16	PLUG, BODY BRASS	V5653A
17	PLUG, 3/8" NPT	6766003F



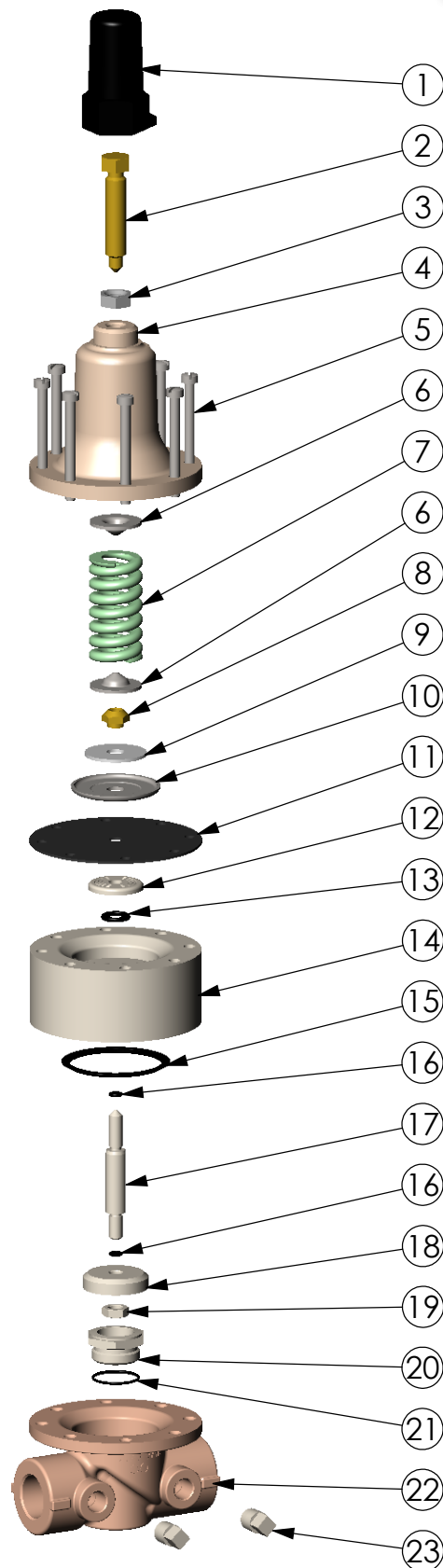
Model CRL

Pressure Relief Pilot Control - 1/2" & 3/4"



ITEM #	DESCRIPTION	PART NO.
1	CAP PLASTIC	67628J
2	ADJUSTING SCREW	7188201D
3	NUT HEX (LOCKING)	6780106J
4	COVER	C2544K
5	SCREW	6795339J
6	SPRING GUIDE	71881H
7	SPRING	
	PSI RANGE - 0-75	71884B
	PSI RANGE - 20-105	20632101E
	PSI RANGE - 20-200	71885J
8	NUT, STEM UPPER	73034B
9	BELLEVILLE WASHER	7055007E
10	DIAPHRAGM WASHER UPPER	71891G
11	DIAPHRAGM	C1505B
12	DIAPHRAGM WASHER LOWER	45871B
13	O-RING, STEM	00746J
14	BODY, POWERUNIT	7920504D
15	O-RING, BODY	00767E
16	O-RING	00902H
17	STEM	8982401F
18	DISC RETAINER	C9158B
19	NUT, HEX, STEM, LOWER	6779806G
20	SEAT	62187A
21	O-RING, SEAT	00718H
22	1/2" BODY	C7928K
	3/4" BODY	C9083B
23	1/8" PIPE PLUG	6784701C

For 100-300 Range - Consult Factory



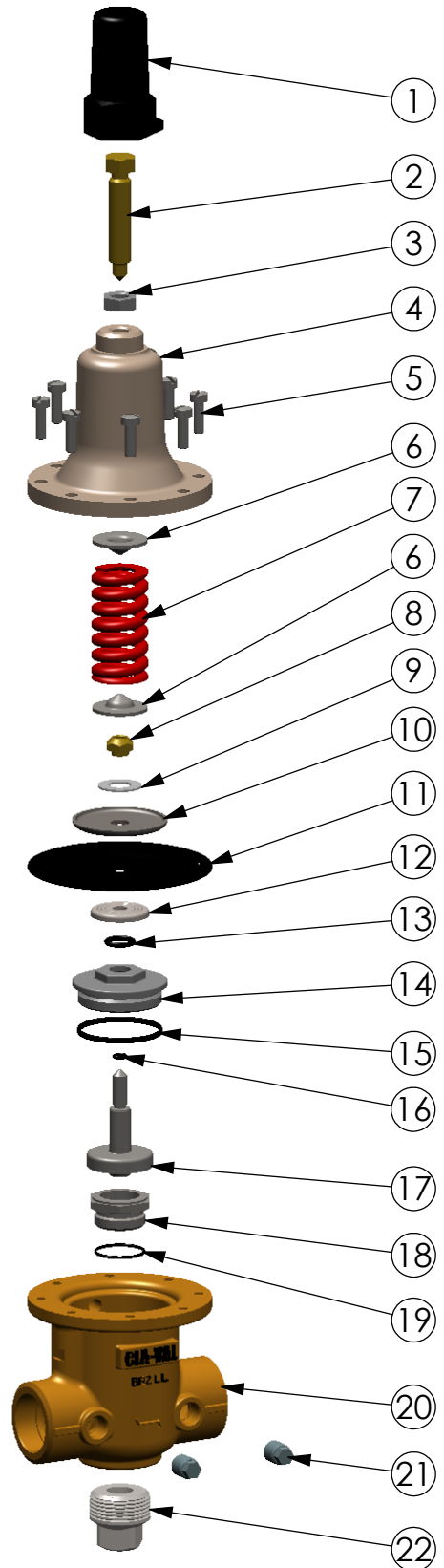


Model CRL-60

Pressure Relief Pilot Control - 1/2" & 3/4"

ITEM #	DESCRIPTION	PART NO.
1	CAP PLASTIC	67628J
2	ADJUSTING SCREW	7188201D
3	HEX NUT	6780106J
4	COVER	C2544K
5	SCREW	6795313D
6	SPRING GUIDE	71881H
	SPRING GUIDE (20-105 PSI)	205620F
	SPRING GUIDE (30-300 PSI)	1630301J
7	SPRING (0-75 PSI)	71884B
	SPRING (20-105 PSI)	20632101E
	SPRING (20-200 PSI)	71885J
8	STEM NUT	73034B
9	BELLEVILLE WASHER	7055007E
10	UPPER DIAPHRAGM WASHER	71891G
11	DIAPHRAGM	C1505B
12	LOWER DIAPHRAGM WASHER	45871B
13	O-RING	00746J
14	STEM GUIDE	20800501D
15	O-RING	00727J
16	O-RING	00902H
17	STEM ASSEMBLY	20873402A
18	SEAT	62187A
19	O-RING	00718H
20	BODY - 1/2"	20839601A
	BODY - 3/4"	20839602K
21	1/8" PIPE PLUG	6784701C
22	1/2" BODY PIPE PLUG	6766076B
	3/4" BODY PIPE PLUG	6766077K

For 100-300 Range - Consult Factory





33A Repair Assemblies

Standard Materials Only

Control	Description	Stock No.
33A 1"	Complete Internal Assembly & Seal	2036030B
33A 2"	Complete Internal Assembly & Seal	2040830J

RP-2/D-2 Main Valve Repair Kit

Size	Part No.	Description
1"	88415F	For 3/4" & 1" RP-2/D-2
1-1/2"	88416D	For 1-1/4" & 1-1/2" RP-2/D-2
Include Parts for both Check Valves		

CDHS-20/24 Repair Kit

Size	Part No.	Description
3/4"	88417B	3/4" thru 1-1/2" RP-2
1-1/4"	88418K	2" thru 3" RP-1, RP-1 EX, RP4
2"	88419H	4" thru 10" RP-1, RP-1 EX, RP4

RP-1 * D * RP-1 EX * D-4* RP-4

Backflow Check Repair Kit

3084	Part No.	3081 * 3081 EX	Part No.
2"	2052601J	2	81319G
2-1/2"		2-1/2	81320E
3"	2052603E	3	81321C
4"	2052604C	4	81322A
6"	2052605K	6	81323J
8"	2052606H	8	81324G
10"	2052607F	10	81325D
Takes two repair kits for each Backflow assembly			

Repair Kits for 700 Series Roll Seal Valves

Kits Include: Liner, Lubricant, Liner Retainer Hardware and Instructions

Size	Natural Rubber 65 Durometer	EPDM 70 Durometer	Nitrile 70 Durometer	Silicone 70 Durometer	Viton 70 Durometer
2"	R2001501A	R2002201J	R2002301G	R2001401F	R2002101A
3"	R2001502A	R2002202G	R2002302E	R2001402D	R2002102J
4"	R2001503J	R2002203E	R2002303C	R2001403B	R2002103G
6"	R2001504G	R2002204C	R2002304A	R2001404K	R2002104E
8"	R2001505A	R2002205K	R2002305H	R2001405G	R2002105A
10"	R2001506A	R2002206H	R2002306F	R2001406E	R2002106K
12"	R2001507K	R2002207F	R2002307D	R2001407C	R2002107H

Global Headquarters

1701 Placentia Avenue
Costa Mesa, CA 92627
Phone: (949) 722-4800
(800) 942-6326
Fax: (949) 548-5441
E-mail: info@cla-val.com

US Regional Offices

Main E-mail: info@cla-val.com

Central Region

8707 Forney Road
Dallas, TX 75227
Phone: (214) 388-3493
(800) 533-8181
Fax: (214) 381-9579

Eastern Region

6911 Richmond Highway, Suite 444
Alexandria, VA 22306
Phone: (703) 721-1923
(800) 451-3030
Fax: (703) 721-1927

Western Region

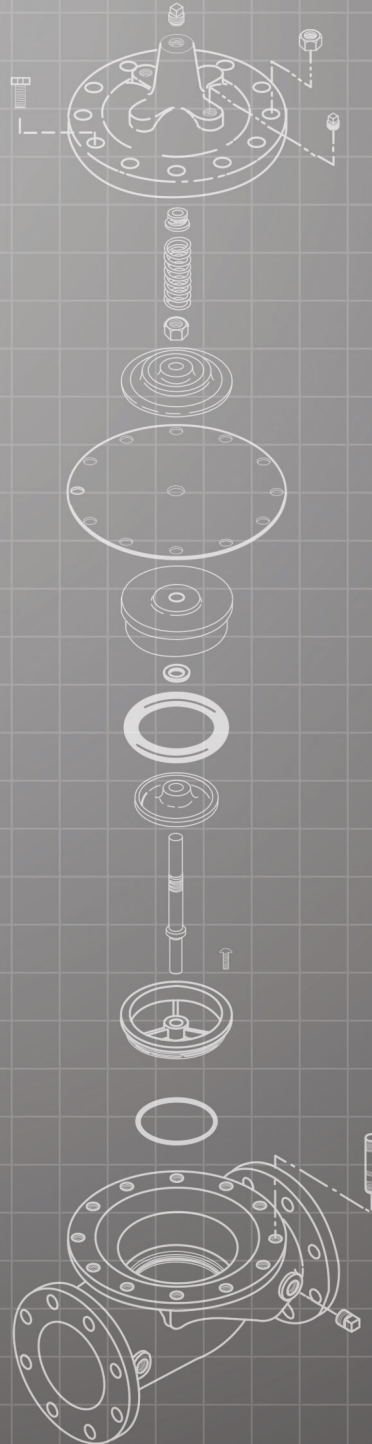
1701 Placentia Avenue
Costa Mesa, CA 92627
Phone: (949) 722-4800
(800) 942-6326
Fax: (949) 548-5441

Cla-Val Pacific Region

45 Kennaway Road
Woolston, Christchurch, 8023
New Zealand
Phone: (64) 39644860
E-mail: info@cla-valpacific.com
www.cla-valpacific.com

Cla-Val Latin America

Av Patria 2085, Piso 1
Col. Puerta de Hierro
45116; Zapopan, Jalisco
Phone: + 52 (33) 80007565
Email: info@cla-val-latinamerica.com
www.cla-val-latinamerica.com



www.cla-val.com • 800-942-6326