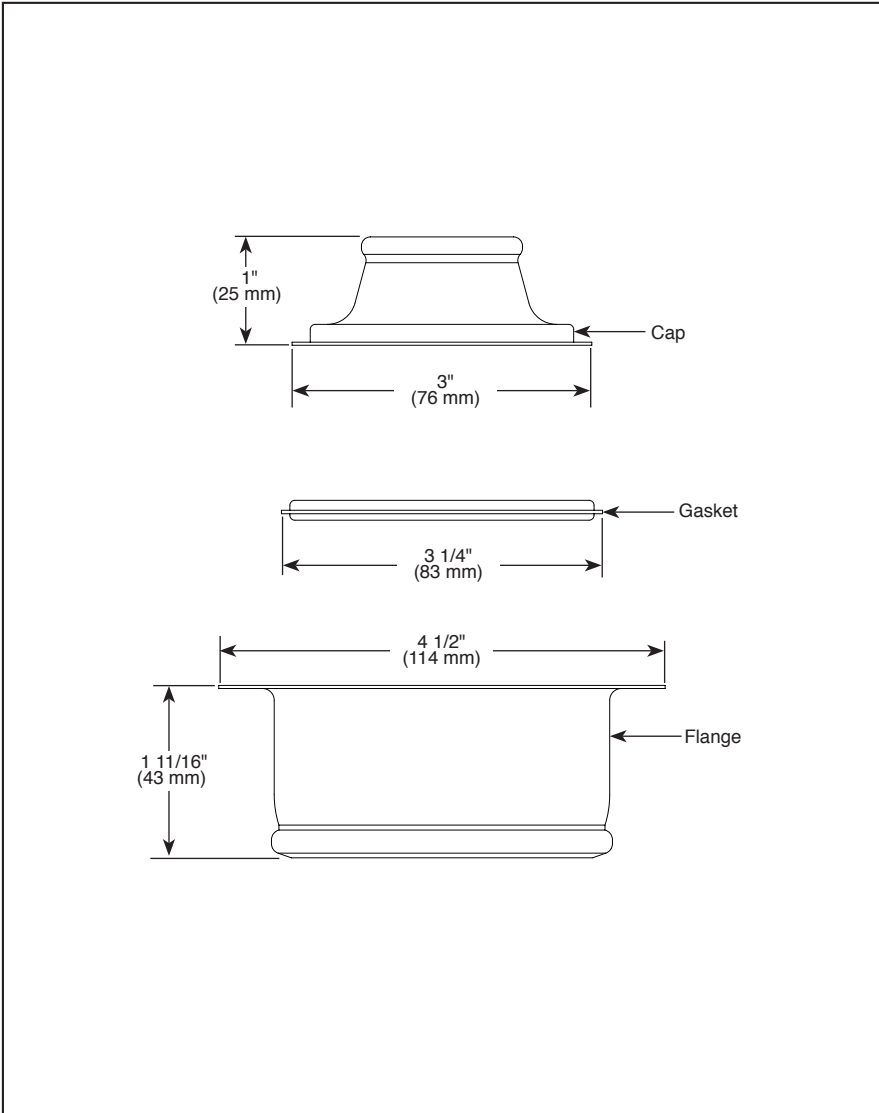


72030 ▲

Submitted Model No.: _____

Specific Features: _____



▲ Designate Proper Finish Suffix



DISPOSAL FLANGE & STOPPER

STANDARD SPECIFICATIONS:

- 4 1/2" diameter brass flange
- Kitchen sink applications

WARRANTY

- Lifetime limited warranty on parts (other than electronic parts and batteries) and finishes; or, for commercial users, for 5 years from date of purchase.
- 5 year limited warranty on electronic parts (other than batteries); or, for commercial users, for 1 year from the date of purchase. No warranty is provided on batteries.

