

Lead-Free* Class 125/250 Iron Body Silent Check Valves

Wafer Style • Renewable Seat and Disc • Spring Actuated (1/2 PSI cracking pressure)

Class 125, 200 PSI/13.8 bar non-shock cold working pressure

Class 250, 400 PSI/27.6 bar non-shock cold working pressure

Maximum temperature to 200°F/93°C

W910-B-LF — 2" thru 10" ONLY

CERTIFIED LEAD-FREE* BY WQA TO NSF/ANSI 372
NSF/ANSI 61 CERTIFIED BY UL
CONFORMS TO MSS SP-125 • FM APPROVED



C USA
COMPONENT LEAD-FREE



MATERIAL LIST

PART	SPECIFICATION
1. Body	Cast Iron ASTM 126 Class B
2. Seat (B)	Bronze ASTM B584 Alloy C87600
2a. Seat (W)	with Buna-N O-ring
3. Disc	Bronze ASTM B584 Alloy C87600
4. Spring	Stainless Steel ASTM A313 UNS S31600
5. Bushing	Aluminum Bronze B505 C95400
6. O-Ring	EPDM

DIMENSIONS—WEIGHTS

Size	Dimensions				W-910		W-960		
	A		B		Lbs.	Kg.	Lbs.	Kg.	
*2	50	4.25	108	2.63	67	6	5	6	3
*2½	65	5.00	127	2.88	73	7	3	7	3
*3	80	5.75	146	3.13	79	12	5	12	5
*4	100	7.00	178	4.00	102	18	8	18	8
*5	125	8.38	213	4.75	121	27	12	27	12
*6	150	9.75	248	5.50	140	42	19	42	19
8	200	13.38	340	6.50	165	†85	39	86	39
10	250	16.00	406	8.25	210	†99	45	†137	62

*NOTE: Sizes 2" thru 6" have dual class ratings (125 lb. and 250 lb.) resulting in W-910-LF and W-960-LF being identical. 8" and 10" have special machining in accordance with Flange Class.

†Class 125 only.

‡Class 250 only.

WARNING: 1. These are not to be used as steam valves.

2. Valves are not to be used near a reciprocating air compressor.

3. Do not install in vertical line with downward flow.

Note: On pump discharge, the preferred check valves are:

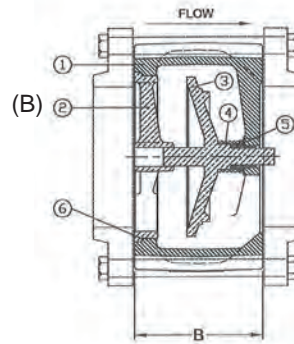
- inline, spring assisted, center-guided, lift checks
- spring assisted twin (double) disc
- swing design with lever and weight or lever and spring

Install 5 pipe diameters minimum downstream from pump discharge or changes in direction to avoid flow turbulence. Flow straighteners may be required in extreme cases.

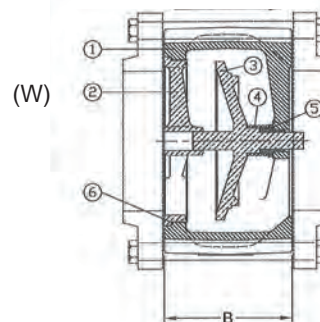
Note: W-960-LF 8" and 10" not FM approved.

WARNING: This product can expose you to chemicals including lead, which is known to the State of California to cause cancer and birth defects or other reproductive harm. For more information go to www.P65Warnings.ca.gov.

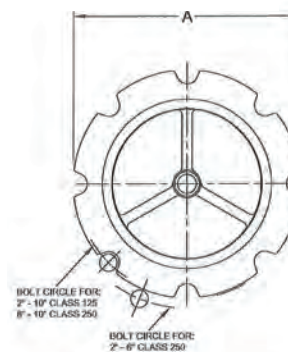
W-910-LF 125 lb. Class
W-960-LF 250 lb. Class



W-910-B-LF/W-960-B-LF
Wafer



W-910-W-LF/W-960-W-LF
Wafer



W-910-B-LF/W-960-B-LF
Wafer

*Weighted average lead content ≤ 0.25%