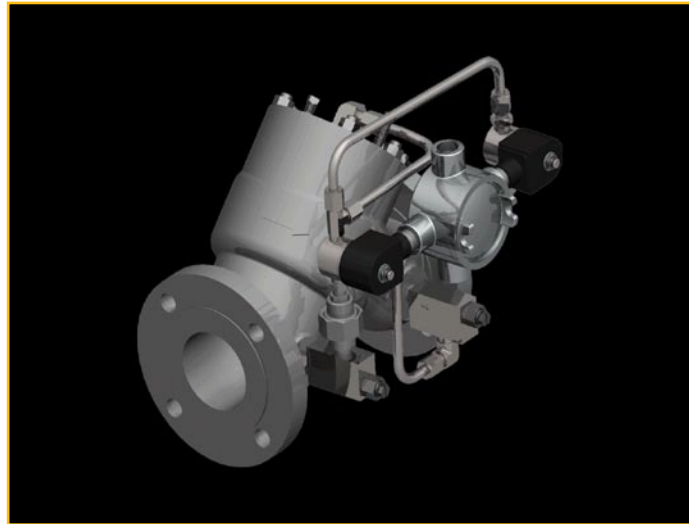


# TruAct BV88 2", 3" & 4" Digital Control Valve



The Model BV 88 Digital Control Valve is designed to provide precise flow rate control and batch delivery of fluid products when used with an electronic batch control device. The Model BV88 features an external pilot control loop that consists of a normally - open solenoid pilot, a normally - closed solenoid pilot, strainer, and opening/closing speed controls.

## **DESIGN FEATURES**

- Precision flow rate and batch control
- Modular construction - all internal parts including seat ring can be removed with the cylinder assembly without disturbing line connections
- No diaphragms or stuffing boxes
- 45° Body design assures high capacity
- Positive Shut - off
- Linear control characteristics with uniform response speed
- Automatic check valve - no reverse flow
- Fail-Safe, closes on loss of electric power
- Characterized ports for better low flow response



# TruAct BV88

## 2", 3" & 4" Digital Control Valve

### VALVE CAPACITY DATA

Valve Size	2"	3"	4"
*Cv-gpm	90	190	315

\*Cv based on wide open valve utilizing water at 60F (15.6C).

### Maximum Operating Pressure Differential (M.O.P.D.) Across Pilots

150 lb. Standard	100 psid	690 kPa
Optional	150 psid	1,035 kPa
Optional	285 psid	1,967 kPa
300 lb. Standard	740 psid	5106 kPa

### CONSTRUCTION MATERIALS:

Main Valve Body: Steel - ASTM - A216 - GR - WCB  
 Main Valve Cylinder: 17-4 Stainless Steel, Heat Treated  
 Main Valve Piston: Stainless Steel  
 Seat Ring: Stainless Steel  
 O-Rings: Viton Standard (Other elastomers available)  
 Other Internal Parts: Stainless Steel  
 Pilot Valve Strainer / Needle Valve Stainer: Steel (standard)  
 Tubing & Fittings: Steel (standard)

### FLANGE CONNECTIONS

Valve Size	Connections	Max Working Pressure @100F
2" - 4"	150 lb. ANSI	285 PSI
2" - 4"	300 lb. ANSI	740 PSI

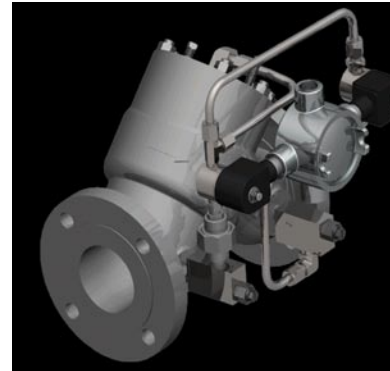
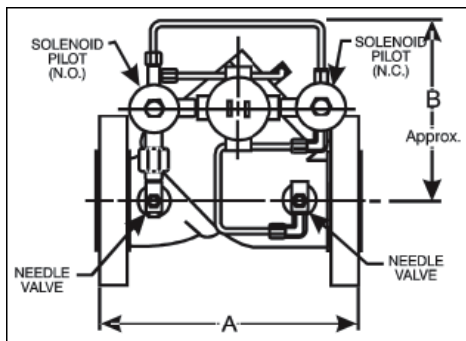
### DIMENSIONS

(For Certified Dimensional Prints - Consult Factory)

Valve Size	mm	A Dimensions		B Dimensions
	inches	150 lb	300 lb	150 & 300 lb
2"	mm	260	267	280
	inches	10-1/4	10-1/2	11
3"	mm	279	333	286
	inches	11	13-1/8	11-1/4
4"	mm	330	368	292
	inches	13	14-1/2	11-1/2

### SHIPPING WEIGHT & VOLUME (Approximate)

Valve Size	
2"	69 lbs. @ 3 Cu. Feet 31.3 kgs. @ .085 Cu. Meters
3"	105 lbs. @ 2.36 Cu. Feet 47.63 kgs. @ .067 Cu. Meters
4"	140 lbs. @ 2.51 Cu. Feet 63.5 kgs. @ .071 Cu. Meters



**Brodie Meter, Co. LLC**

19267 Highway 301 North • Statesboro, GA 30461 USA Phone: 001-912-489-0200

[www.brodie-savmor.com](http://www.brodie-savmor.com)

The contents of this publication are presented for informational purposes only, and while every effort has been made to ensure their accuracy, they are not to be construed as warranties or guarantees, express or implied, regarding the products or services described herein or their use or applicability. Brodie Meter Co., LLC reserves the right to modify or improve the designs or specifications of such products at any time without notice.