

Specifications

PFHS204G FIVE FUNCTION HAND SHOWER



Product Features

- 5 Functions: Full Spray, Massage, Mist, Spray + Mist, Hard Massage
- Includes hand shower, hose, and shower arm mount
- Metal and ABS construction
- 1/2" connection
- Maximum flow rate 1.75 gpm (6.6 L/min) at 80 psi
- Easy clean spray

Codes and Certifications

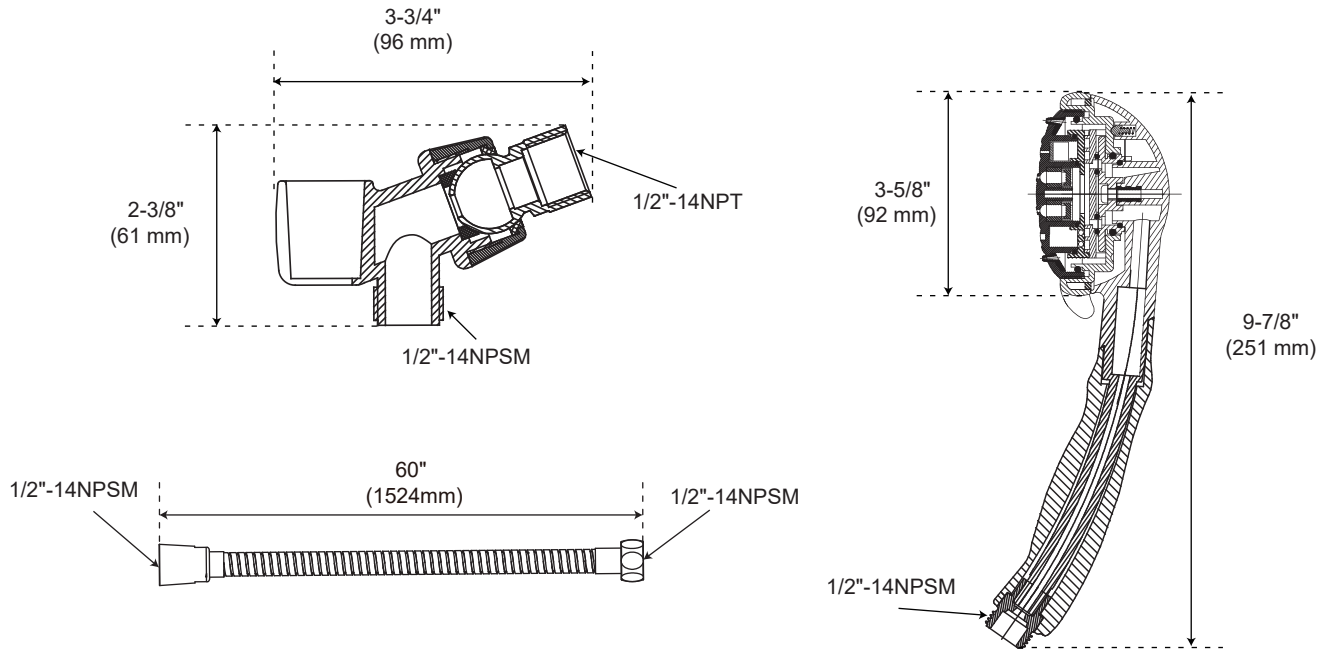


- Certified to ASME A112.18.1 / CSA B125.1
- cCSAus Certified
- EPA WaterSense

2-9/16"
(65.08mm)



PFHS204G



For detailed warranty information, visit ferguson.com/proflo-faucet-warranty.