

PFTS32 DIVERTER TUB SPOUT



Product Features

- 7" extra long diverter tub spout
- Material : Zinc alloy
- 1/2"CTS slip fit mount

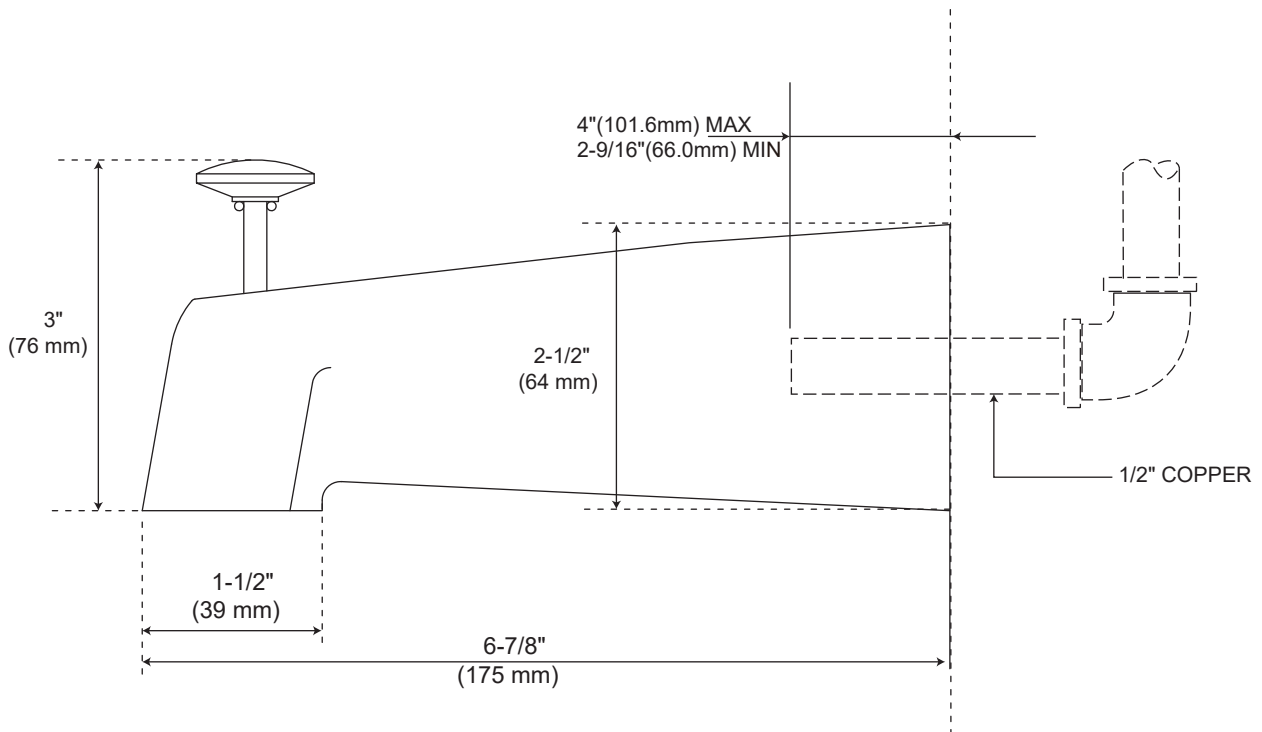
Codes and Certifications



- Certified to ASME A112.18.1 / CSA B125.1



PFTS32



For detailed warranty information, visit ferguson.com/proflo-faucet-warranty.