

Specifications

PFSASM01 **ADJUSTABLE SHOWER ARM MOUNT**



Product Features

- Adjustable shower arm mount for hand shower
- Brass and ABS construction
- 1/2" connection

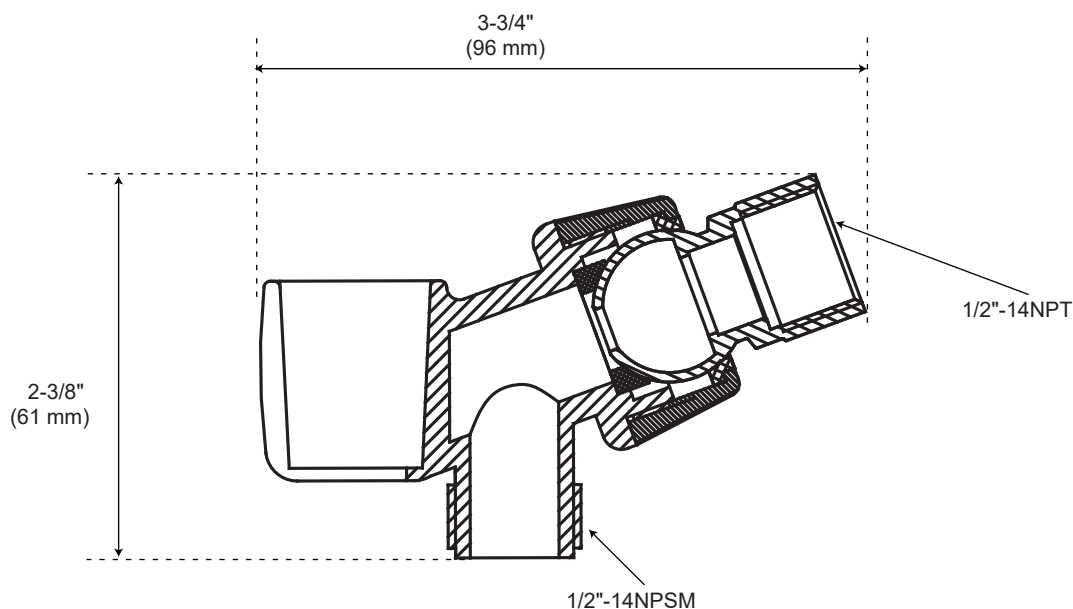


Codes and Certifications



- Certified to ASME A112.18.1 / CSA B125.1
- cCSAus Certified

PFSASM01



For detailed warranty information, visit ferguson.com/proflo-faucet-warranty.