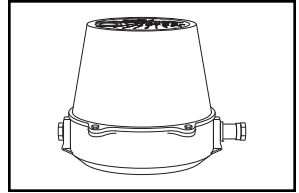


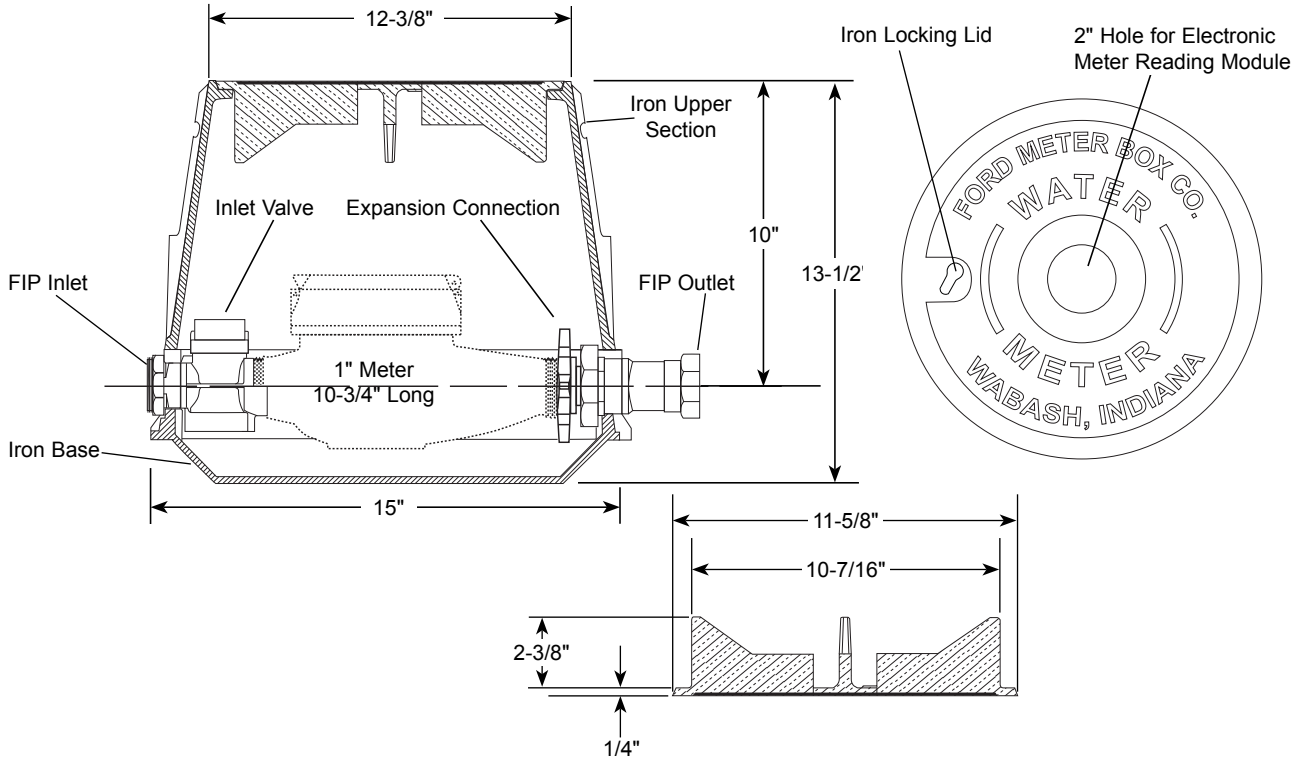
# SUBMITTAL INFORMATION

## Yokebox - (YL111-444-T-NL style)



FEMALE IRON PIPE THREAD INLET AND OUTLET

STRAIGHT KEY VALVE BY STRAIGHT OUTLET



METER SIZE	FIP INLET	FIP OUTLET	APPROX. WT. LBS.	CATALOG NUMBER	✓ SUBMITTED ITEM(S)
1"	1"	1"	64.0	YL111-444-T-NL	

### FEATURES

- All brass that comes in contact with potable water conforms to AWWA Standard C800 (ASTM B584, UNS C89833)
- The product has the letters "NL" cast into the main body for lead-free identification
- Brass components that do not come in contact with potable water conform to AWWA Standard C800 (ASTM B62 and ASTM B584, UNS C83600, 85-5-5-5)
- Base, upper section and lid are cast iron per ASTM A48, Class 25 with black e-coat finish
- The brass end fittings are permanently and properly spaced and aligned for the meter
- Lid has a 2" precast hole for electronic meter reading

The Ford Meter Box Company considers the information in this submittal form to be correct at the time of publication. Item and option availability, including specifications, are subject to change without notice. Please verify that your product information is current.



#### The Ford Meter Box Company, Inc.

P.O. Box 443, Wabash, Indiana U.S.A. 46992-0443  
 Phone: 260-563-3171 / Fax: 800-826-3487  
 Overseas Fax: 260-563-0167  
 www.fordmeterbox.com

01/28/16

Submitted By: