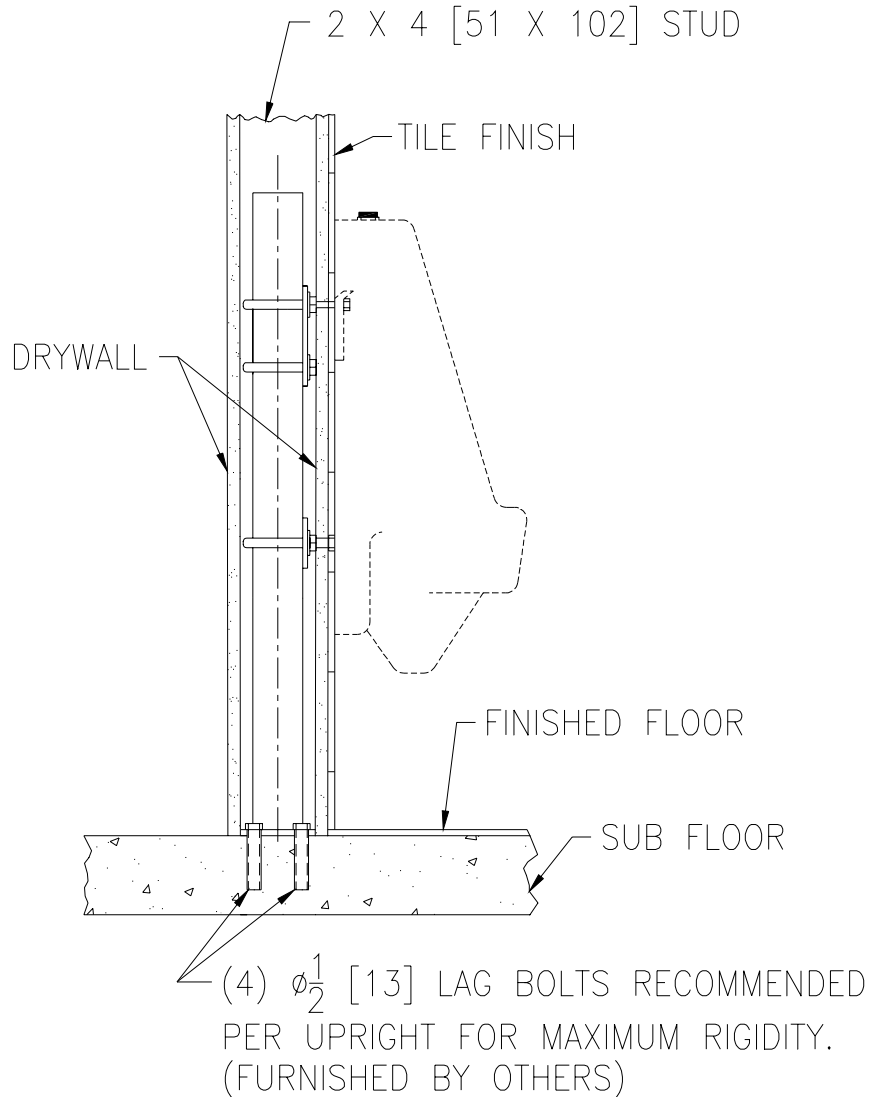




GENERAL PRODUCT ILLUSTRATION
Z-1222
WALL URINAL SUPPORT SYSTEM

Dimensional Data (inches and [mm]) are Subject to Manufacturing Tolerances and Change Without Notice



Z-1222
WALL URINAL SUPPORT SYSTEM

Installed in 2 [51] x 4 [102] stud wall, offers fixture support independent of wall. The system is lagged to the floor as shown. Standard hardware furnished for wall thickness (front of plate to finished wall) up to 4-3/4 [121], and minimum space requirements for system are 3-3/8 [86].

Form # C21

Date: 8/10/99

C.N. No. 83151

Rev.

ZURN INDUSTRIES, INC. ♦ SPECIFICATION DRAINAGE OPERATION ♦ 1801 Pittsburgh Ave. ♦ Erie, PA 16514

Phone: 814/455-0921 ♦ Fax: 814/454-7929 ♦ World Wide Web: www.zurn.com

In Canada: ZURN INDUSTRIES LIMITED ♦ 3544 Nashua Drive ♦ Mississauga, Ontario L4V1L2 ♦ Phone: 905/405-8272 Fax: 905/405-1292