

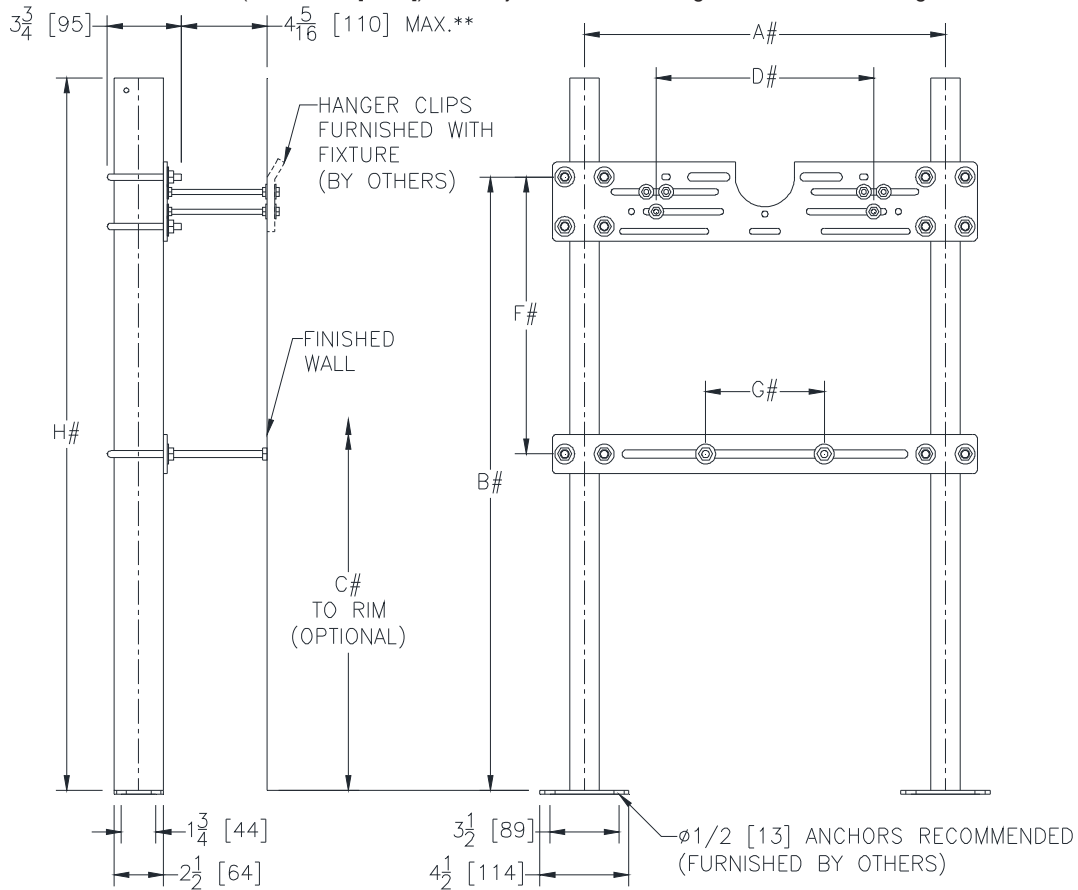


Z1222
PLATE TYPE SYSTEM
WITH BEARING PLATE

SPECIFICATION SHEET

TAG _____

Dimensional Data (inches and [mm]) are Subject to Manufacturing Tolerances and Change Without Notice



**WITH STANDARD STUD LENGTH OF 6 [152]
 # REFER TO ROUGH-IN GUIDE OF SPECIFIC FIXTURE FOR DIMENSION

Product No.	Approx. Wt. Lbs. [kg]
Z1222	30 [14]

ENGINEERING SPECIFICATION: ZURN Z1222

Wall urinal support system complete with Dura-Coated carbon structural steel rectangular tubing uprights, conforming to ASTM A500 Grade C, with welded base feet having slotted floor anchor holes. Lower bearing plate is vertically adjustable with slot to accommodate bearing jack placement. Upper universal hanger plate is pre-notched for back spud inlet and is designed for various hardware positions and fixtures. Includes mounting fasteners and hardware. Carrier system exceeds load and deflection requirements as outlined in ASME Standard A112.6.1M.

OPTIONS (Check/specify appropriate options)

PREFIXES

___ Z Dura-Coated System with Universal Plate*

SUFFIXES

- ___ -EZ Easy to Install Assembly (Uprights, bearing plate, and hanger plate are factory assembled)
- ___ -UA Urinal Adapter
- ___ -58 Flush Valve Supply Support

* Regularly furnished unless otherwise specified.