

Figure 471A

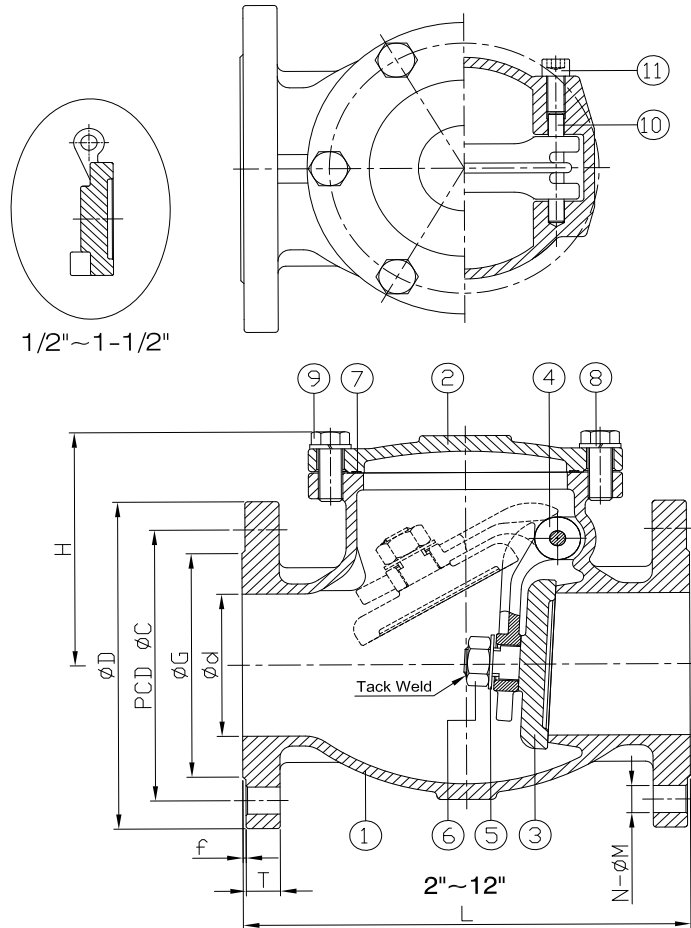
150# Stainless Steel Swing Check Valve

Standard Materials

| No. | Part Name | Material |
|-----|----------------------|----------------|
| 1 | Body | ASTM A351-CF8M |
| 2 | Bonnet | |
| 3 | Disc | |
| 4 | Hinge | |
| 5 | Flat Washer | AISI 316 |
| 6 | Nut | |
| 7 | Body Seal | PTFE |
| 8 | Spring Washer | AISI 304 |
| 9 | Bolt | |
| 10 | Pin | AISI 316 |
| 11 | Socket Hexagon Screw | |

NOTES:

- CF8M Seat is Integral to Body
- Investment Cast Body up to 8"
- Design per API 603
- Pressure/Temperature Rating per ANSI B16.34
- Flange Dimensions per ANSI B16.5
- Face to Face Dimensions per ANSI B16.10
- Pressure Tested per API 598



Dimensions (inches) & Weights (lbs)

| Size | 1-1/2 | 2 | 2-1/2 | 3 | 4 | 6 | 8 | 10 | 12 |
|-------------------|-------|------|-------|------|-------|-------|-------|-------|-------|
| d | 1.57 | 1.97 | 2.56 | 3.15 | 3.94 | 5.91 | 7.87 | 9.84 | 11.81 |
| L | 6.50 | 7.99 | 8.50 | 9.49 | 11.50 | 14.02 | 19.49 | 24.49 | 27.48 |
| H | 3.11 | 3.88 | 4.55 | 5.79 | 6.57 | 8.15 | 9.33 | 13.78 | 13.56 |
| Flange Dimensions | f | 0.08 | 0.08 | 0.08 | 0.08 | 0.08 | 0.08 | 0.08 | 0.08 |
| | D | 4.92 | 5.91 | 7.09 | 7.48 | 9.06 | 11.02 | 13.58 | 15.94 |
| | G | 2.87 | 3.63 | 4.13 | 5.00 | 6.19 | 8.50 | 10.63 | 12.75 |
| | C | 3.87 | 4.75 | 5.50 | 6.00 | 7.50 | 9.50 | 11.75 | 14.25 |
| | T | 0.56 | 0.56 | 0.63 | 0.69 | 0.88 | 0.94 | 1.06 | 1.13 |
| | N | 4.00 | 4.00 | 4.00 | 4.00 | 8.00 | 8.00 | 8.00 | 12.00 |
| M | 0.63 | 0.75 | 0.75 | 0.75 | 0.88 | 0.94 | 0.88 | 1.00 | |
| Wt. (lbs.) | 10.4 | 17.2 | 25.6 | 35.9 | 62.4 | 103.6 | 167.6 | 295.9 | 430.8 |