

Figure 472A

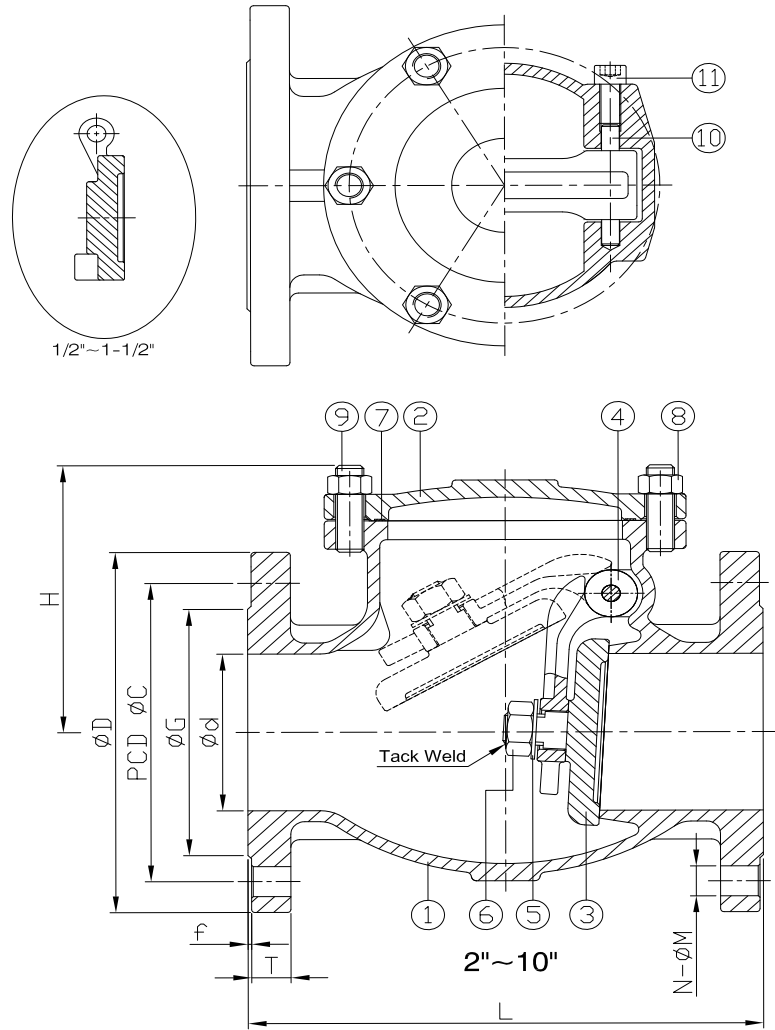
# 300# Stainless Steel Swing Check Valve

## Standard Materials

No.	Part Name	Material
1	Body	ASTM A351-CF8M
2	Bonnet	
3	Disc	
4	Hinge	
5	Flat Washer	AISI 316
6	Nut	
7	Body Seal	PTFE
8	Nut	ASTM A194-8
9	Stud	ASTM A193-B8
10	Pin	AISI 316
11	Socket Hexagon Screw	

**NOTES:**

- CF8M Seat is Integral to Body
- Investment Cast Body up to 8"
- Design per API 603
- Pressure/Temperature Rating per ANSI B16.34
- Flange Dimensions per ANSI B16.5
- Face to Face Dimensions per ANSI B16.10
- Pressure Tested per API 598



## Dimensions (inches) & Weights (lbs)

Size	2	3	4	6	
d	1.97	3.15	3.94	5.91	
L	10.51	12.52	14.02	17.48	
H	5.08	6.46	6.97	9.09	
Flange Dimensions	f	0.08	0.08	0.08	
	D	6.50	8.27	10.04	12.60
	G	3.63	5.00	6.19	8.50
	C	5.00	6.63	7.87	10.63
	T	0.81	1.06	1.19	1.38
	N	8.00	8.00	8.00	12.00
	M	0.75	0.88	0.88	0.88
Wt. (lbs.)	31.5	55.8	101.4	177.9	