

KOHLER®

Roughing-In

K-847, K-848

BELLWETHER®

BATH WITH INTEGRAL APRON

Product Information

Applicable product:	
Bath with integral apron – left drain	K-847
Bath with integral apron – right drain (shown)	K-848
Fixture*:	
Bathing well:	
Basin area, bottom	50-3/4" (1289 mm) x 20-5/16" (516 mm)
Basin area, top	58-7/16" (1484 mm) x 22-5/8" (575 mm)
Weight	400 lbs (181 kg)
To overflow:	
Water depth	11-11/16" (297 mm)
Capacity	49 gal (185.7 L)
*Approximate measurements for comparison only.	

Recommended accessories:

Toe tap bath drain OR	K-7259
Cable bath drain – 30" (762 mm), brass OR	K-37380
Cable bath drain – 30" (762 mm), with PVC tubing	K-37383

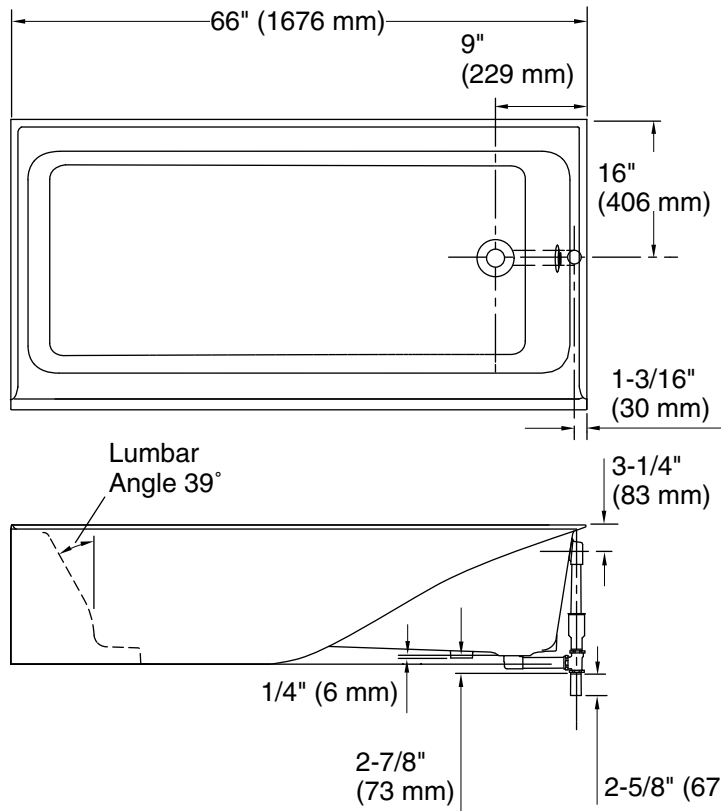
Installation Notes

Install this product according to the installation guide.

Floor support under the bath must provide for a minimum of 57 lbs/square foot (278.3 kg/square meter) loading.

Will comply with **ADA** when installed per Section 607 Bathtubs of the ADA 2010 Standards for Accessible Design.

Fixture conforms to ASME Standards A112.19.1/CSA B45.2. All dimensions are nominal.



No change in measurement if connected with drain illustrated. (K-7259)

Rim Flange Detail

