

SPECIFICATIONS

FIGURE X416

BRASS BODY BALL VALVES



LOW LEAD COMPLIANT 2-PC FULL PORT 600 WOG

FEATURES

- 600 WOG non-shock
- 150 WSP
- Full port
- NSF 61 Annex G certified (UL) (Annex G references NSF 372)
- Sweat ends (ANSI B16.18)
- Forged brass body and endcap
- 100% Electronically tested in open and closed position at 80 psi
- Meets MSS SP-110 standards
- Blow-out proof stem
- Dual O-ring non-adjustable packing
- Accessories (sold separately)
 - Lock lever kit (1/2"–3")
 - Stem extension kit (1/2"–3")
 - Tee handle kit (1/2"–1")
 - Oval handle kit (1/2"–2")
 - Memory stop kit (1/2"–2")
 - Stainless handle (1/2"–2")



NOT RECOMMENDED FOR BURIED SERVICE

Low Lead Compliant: Referring to laws defining "Lead Free" as wetted surface of pipe, fittings and fixtures in potable water systems that have a weighted average lead content $\leq 0.25\%$ per the Safe Drinking Water Act (Sec. 1417) amended 1-4-2011 as well as other state regulations.

ACCESSORIES/OPTIONS



Locking Handle Kits



Tee Handle Kits



Stem Extension Kits



Memory Stops



Oval Handle Kits



Stainless Steel Handle

SPECIFICATIONS

FIGURE X416

BRASS BODY BALL VALVES



LOW LEAD COMPLIANT 2-PC FULL PORT 600 WOG

CV & WEIGHTS

Size (in.)	CV	Wt (Lbs)
1/2	19	0.39
3/4	34	0.63
1	45	0.88
1-1/4	75	1.63
1-1/2	180	2.28
2	210	4.09
2-1/2	400	6.89
3	650	9.76

FIGURE NUMBER MATRIX

FNW X416	
SIZE CODE (IN.)	
1/2 = D	1-1/2 = J
3/4 = F	2 = K
1 = G	2-1/2 = L
1-1/4 = H	3 = M

KIT CODES

FNW 420	
KIT TYPE	SIZE (IN.)
Locking Handle = LHK	1/2 = BD
Stem Extension = SE	3/4-1 = FG
Tee Handle = THK	1-1/4-1-1/2 = HJ
Oval Handle = OHK	2 = K
Memory Stop = MSK	*2-1/2-3 = LM
Stainless Handle = SSHK	

Note: Figure X416 uses the same accessories as Figure 420. Since the 4" valve is standard port, the accessories for the 2-1/2", 3" valves also fit the 4" size.

REFERENCE CHART

Item #	Size (in.)	Dimensions (in.)								
		ØP	I	ØT	L	ØH	CH	R	h	Wt
FNWX416D	1/2	0.55	0.50	0.63	2.19	1.22	0.87	3.78	1.77	0.26
FNWX416F	3/4	0.75	0.75	0.88	2.78	1.46	1.06	4.76	2.22	0.63
FNWX416G	1	0.94	0.91	1.13	3.37	1.76	1.34	4.76	2.32	0.95
FNWX416H	1-1/4	1.19	0.97	1.38	3.86	2.11	1.69	5.94	2.85	1.64
FNWX416J	1-1/2	1.50	1.10	1.63	4.48	2.64	1.97	5.94	3.09	2.33
FNWX416K	2	1.95	1.34	2.13	5.33	3.39	2.44	6.30	3.70	3.80
FNWX416L	2-1/2	2.44	1.48	2.63	6.14	4.09	3.27	8.07	4.59	7.29
FNWX416M	3	2.99	1.67	3.13	7.17	4.96	3.54	8.07	4.98	9.67

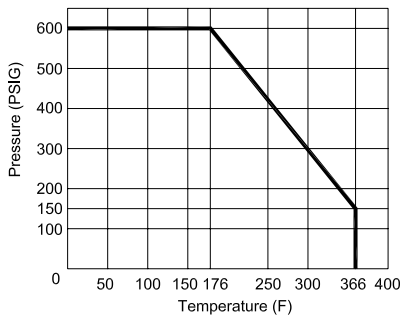
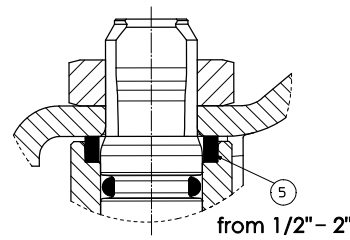
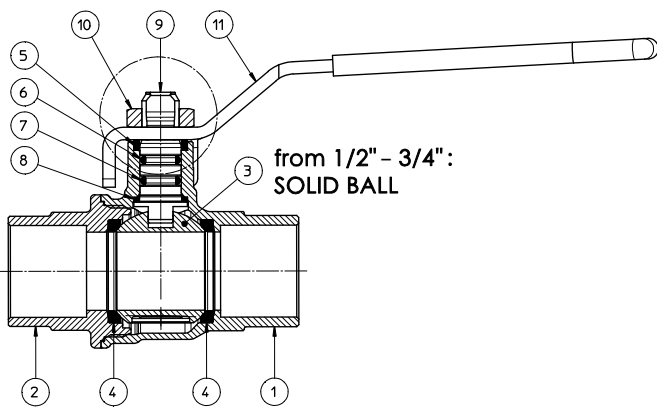
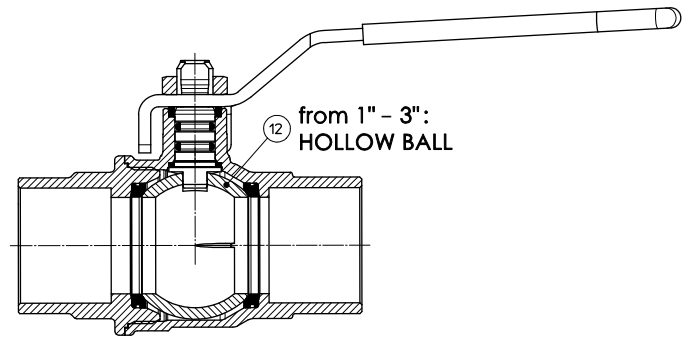
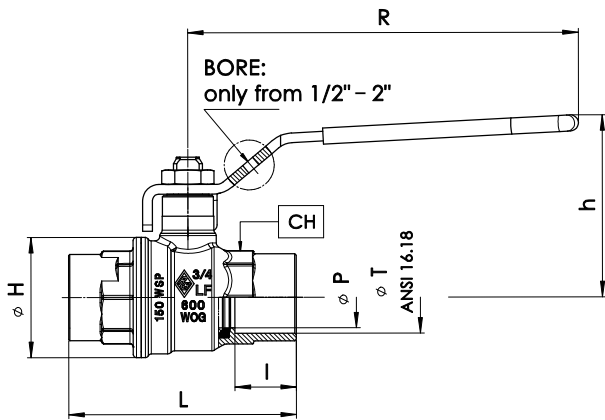
FIGURE X416

BRASS BODY BALL VALVES



LOW LEAD COMPLIANT 2-PC FULL PORT 600 WOG

PARTS DIAGRAM



PART MATERIALS & QUANTITY

Ref #	Description	Material	Qty
1	Body	Brass CW 510L	1
2	End Conn	Brass CW 510L	1
3	Ball	Brass CW 510L	1
4	Seat	PTFE	2
5	Packing Ring	PTFE	1
6	Stem O-Ring	FKM	1
7	Stem O-Ring	NBR	1
8	Thrust Washer	PTFE	1
9	Stem	Brass CW 614N	1
10	Nut	Steel CL 04	1
11	Handle	Steel DD11	1