

Features

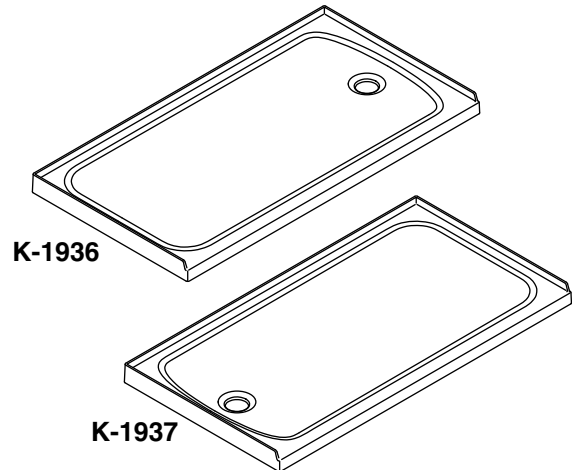
- Resin concrete core with acrylic surface
- Low threshold shower base
- 60" (1524 mm) x 32" (813 mm) x 1-15/16" (49 mm)

SHOWER BASE K-1936, K-1937

Codes/Standards Applicable

Specified model meets or exceeds the following:

- CSA B45.5/IAPMO Z124
- ASTM E162
- ASTM E662



Colors/Finishes

- 0: White
- Other: Refer to Price Book for additional colors/finishes

Accessories

- CP: Polished Chrome
- PB: Vibrant® Polished Brass
- NA: None applicable
- Other: Refer to Price Book for additional colors/finishes

Specified Model

Model	Description	Colors/Finishes	
K-1936	Shower base with right-hand drain	<input type="checkbox"/> 0	<input type="checkbox"/> Other _____
K-1937	Shower base with left-hand drain	<input type="checkbox"/> 0	<input type="checkbox"/> Other _____

Required Accessories Shower Doors

Refer to the Fixtures Price Book for shower door selections, glass options, and color information.

Recommended Accessories

K-9132	Shower drain	<input type="checkbox"/> CP	<input type="checkbox"/> PB	<input type="checkbox"/> Other _____
--------	--------------	-----------------------------	-----------------------------	--------------------------------------

Optional Accessories Steam

K-1657, K-1663	Steam generator and control kit	<input type="checkbox"/> NA
K-1708, K-1647	Steam generator and control kit	<input type="checkbox"/> NA

Product Specification

The shower base shall be made of resin concrete core with acrylic surface. Shower base shall have a low threshold and shall be 60" (1524 mm) in length, 32" (813 mm) in width, and 1-15/16" (49 mm) in height. Shower base shall be Kohler Model K-1936-_____ right-hand drain and K-1937-_____ left-hand drain.

BALLAST™

Technical Information

Fixture*:	
Weight	128 lbs (57.9 kg)
Configuration	one-piece
Drain hole	Ø 3-3/8" (86 mm)
* Approximate measurements for comparison only.	

Installation Notes

CAUTION: Risk of property damage and personal injury. Using this product without a shower door may cause water damage and may create a wet and potentially dangerous environment. Install a shower door with this product.

Install this product according to the installation guide.

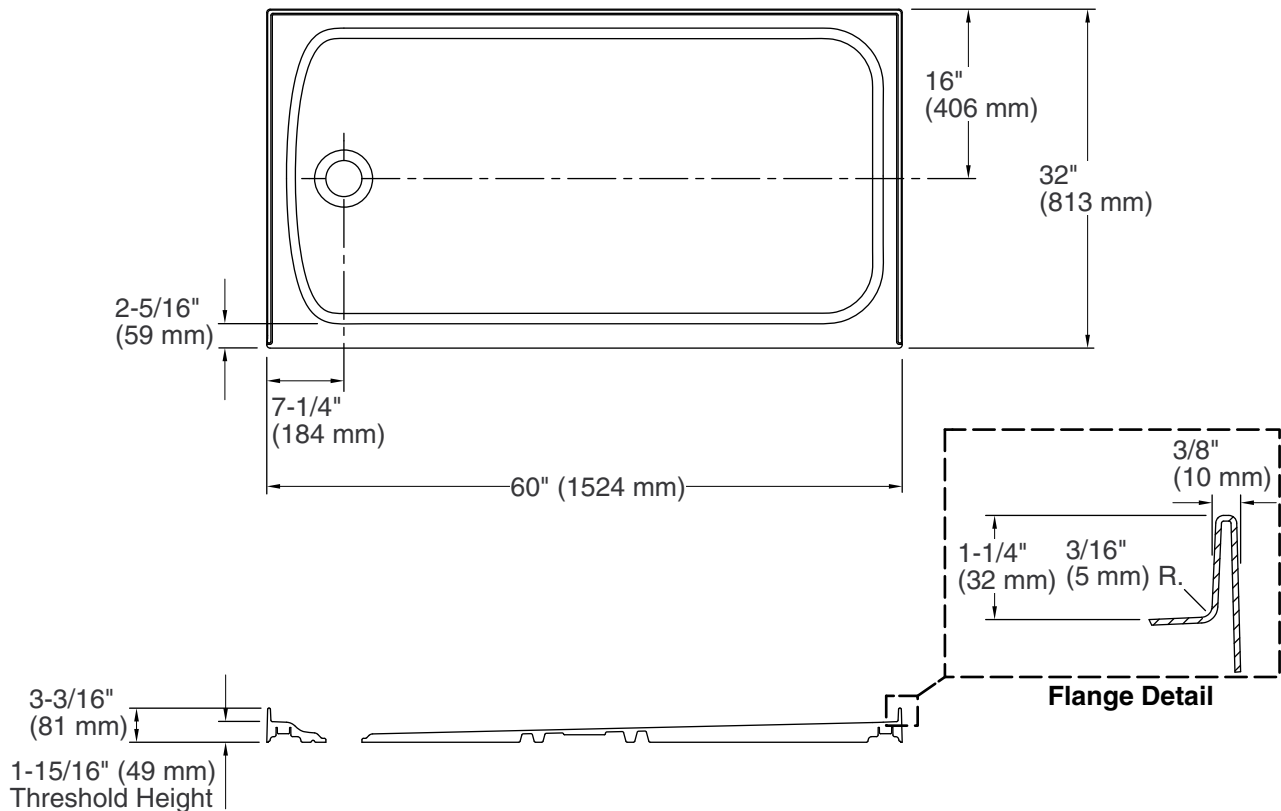
Follow all plumbing codes applicable to the installation of this product.

Install this product in a stud pocket of a suitable size and shape. The stud pocket opening tolerance is +1/4" (6 mm), -0" (0 mm). The overall size of the product is shown below.

When fire rated construction is specified, dimensions are to the inside of the fire-rated wall.

Floor leveling compound may be required to level the fixture.

Shimming may be required between the stud frame and the fixture.



Product Diagram