

WRS-9EN



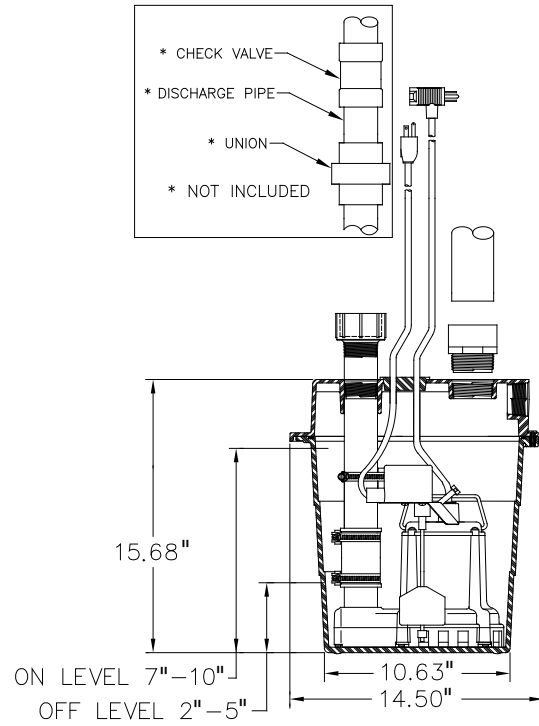
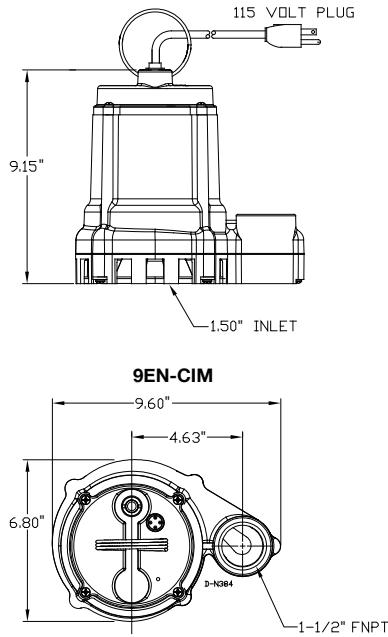
Applications

- Impractical gravity drainage areas, under sinks, laundry trays

Features

- Pump made of cast iron housing with protective epoxy coating for corrosion resistance
- 4/10 hp PSC motor with thermal overload protection
- Pump handles 3/4" solids
- Basin made of polypropylene — lightweight and corrosion resistant
- Basin designed with O-rings to provide a watertight seal
- Cover comes with 1-1/2" FNPT discharge, a 1-1/2" FNPT intake opening, and a 2" FNPT vent
- Includes 2 - 1-1/2" MNPT x 2" slip adapters for inlet and discharge
- IAPMO listed basin
- Pre-assembled, ready to be installed
- Remote vertical master switch with "on" level at 7"-10" and "off" level at 2"-5"

Engineering Data



Specifications

Item No.	Model No.	Discharge Size	Listings	HP	Volts	Running Amps/Watts	Performance (GPM @ Head)					Shut Off		Weight (lbs.)	Dimensions (W x H in.)
							5'	10'	15'	20'	25'	Feet	PSI		
509268	WRS-9EN	1-1/2"	IAPMO	4/10	115	9.0/920	80	70	60	45	25	32'	14.1	35	14.50 x 15.68

(cCSAus listing for pump only)

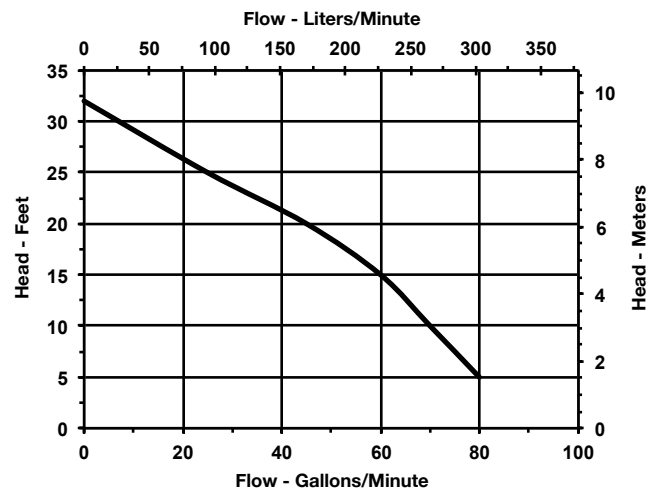
Basin Construction

Basin Cover	Polypropylene
Basin Fluid Capacity (approx.)	5 gallons
Discharge Size	1-1/2" FNPT
Intake Size	1-1/2" FNPT
Vent Size	2" FNPT

Construction

Motor Housing	Epoxy coated cast iron (CI)
Impeller Material	Thermoplastic Elastomer
Impeller Type	Non-clog
Volute	Epoxy coated cast iron
Power Cord	SJTW
Mechanical Shaft Seal	Nitrile with carbon and ceramic faces
Fasteners	Stainless steel
Shaft	Steel
Bearings	Upper sintered sleeve and lower ball bearing

Performance Data



P.O. Box 12010
 Oklahoma City, OK 73157-2010
 Phone: 1.800.701.7894
 Fax: 1.800.678.7867
 www.LittleGiantPump.com

