

9517AB / 9519AB

DZR Lead Free Brass Fixed Orifice Static Balancing Valve

Feature

- DZR lead free brass fixed orifice double regulating globe valve
- Venturi insert
- Positive shut-off with memory stop
- Intended for HVAC and domestic water use
- Threaded F/F (ASME B1.20.1 - NPT) or solder joint ends (ASME B16.22)
- Design according to BS7350
- Tolerance on nominal Cvs $\pm 3\%$ (test according to BS7350)
- Multi-turn adjustment (four full turns minimum)
- Available in the following versions:
 - Fig. 9517AB, threaded ends, with test points
 - Fig. 9519AB, solder joint ends, with test points
- AB1953, NSF-61 & NSF-372 certified



Meet BAA requirement

300WOG

Working conditions:

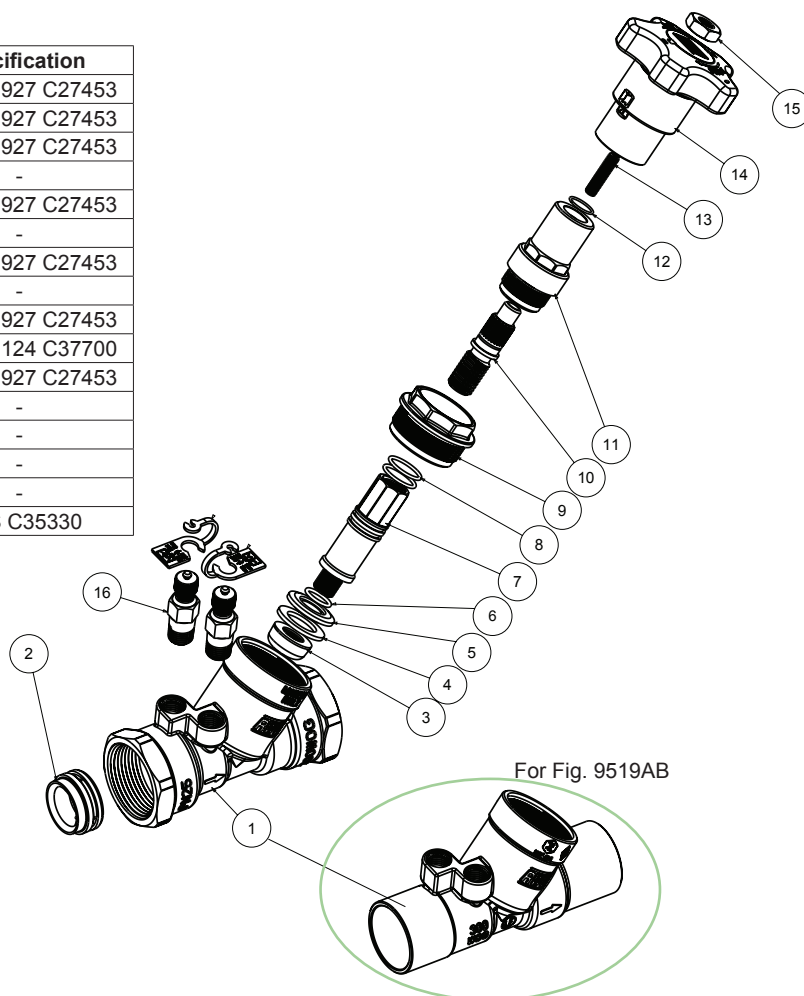
- Water: from 15°F to 260°F
- below 32°F only for water with added antifreezing fluids
- over 212°F only for water with added anti-boiling fluids

Material

	Part	Material	Specification
1	Body	DZR Lead Free Brass	ASTM B927 C27453
2	Venturi insert	DZR Lead Free Brass	ASTM B927 C27453
3	Balancing cone	DZR Lead Free Brass	ASTM B927 C27453
4	Gasket disc	PTFE	-
5	Disc ¹	DZR Lead Free Brass	ASTM B927 C27453
6	Disc O-ring ¹	EPDM Perox	-
7	Shutter	DZR Lead Free Brass	ASTM B927 C27453
8	Stem O-ring	EPDM Perox	-
9	Union ¹	DZR Lead Free Brass	ASTM B927 C27453
10	Stem	Brass	ASTM B124 C37700
11	Bonnet	DZR Lead Free Brass	ASTM B927 C27453
12	Stop spring ring	Spring steel	-
13	Screw	Steel	-
14	Handwheel	ABS (blue)	-
15	Nut	Steel / Zn plated	-
16	Test point	DZR Brass ²	UNS C35330

¹ Only on 1/4", 1/2" and 2"

² Test points with EPDM Perox gaskets and polypropylene ties

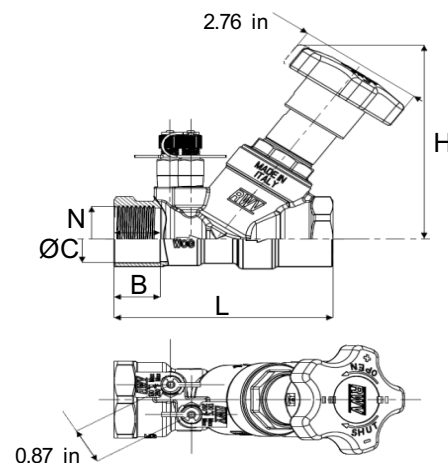


Dimension, Weight

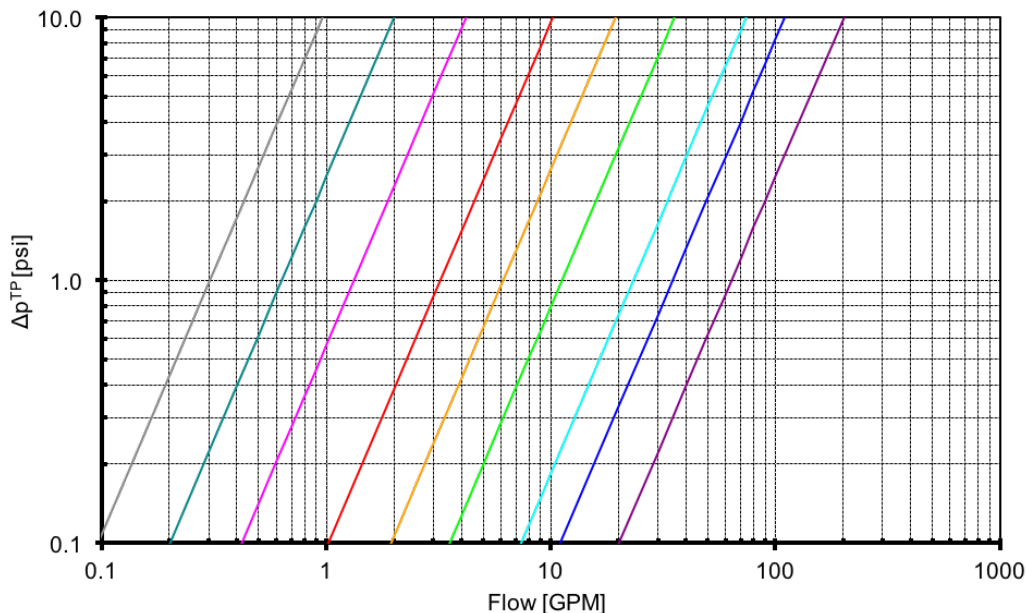
Size	N	ΦC ¹ [in]	H [in]	L ² [in]	B ² [in]	Weight ² [lb]	Flow range [GPM]
U-1/2"	1/2 - 14 NPT	0.627-0.631	4.06	3.46/3.74	0.71/0.55	1.23/1.16	0.27-0.71
L-1/2"	1/2 - 14 NPT	0.627-0.631	4.06	3.46/3.74	0.71/0.55	1.23/1.16	0.49-1.17
1/2"	1/2 - 14 NPT	0.627-0.631	4.06	3.46/3.74	0.71/0.55	1.23/1.16	0.98-2.35 ³
3/4"	3/4 - 14 NPT	0.877-0.881	4.06	3.78/4.18	0.75/0.76	1.43/1.34	2.19-5.15 ³
1"	1 - 11.5 NPT	1.128-1.131	4.06	3.94/4.57	0.89/0.92	1.73/1.55	4.09-9.56 ³
1 1/4"	1 1/4 - 11.5 NPT	1.378-1.381	4.85	4.63/5.28	0.98/0.98	2.78/2.53	8.56-19.81 ³
1 1/2"	1 1/2 - 11.5 NPT	1.628-1.632	4.94	5.00/5.90	0.98/1.10	3.50/3.16	12.84-29.80 ³
2"	2 - 11.5 NPT	2.128-2.132	5.34	5.72/6.73	1.15/1.35	4.80/4.46	24.09-55.63 ³

¹ Tolerance field
² Threaded ends / solder ends
³ Suggested flow range applicability (BS7350)

If using a measuring manometer different from those proposed by RWV please verify that sensibility of the measuring device is compatible with indicated minimum flow (see flow measurement paragraph)



Flow Measurement



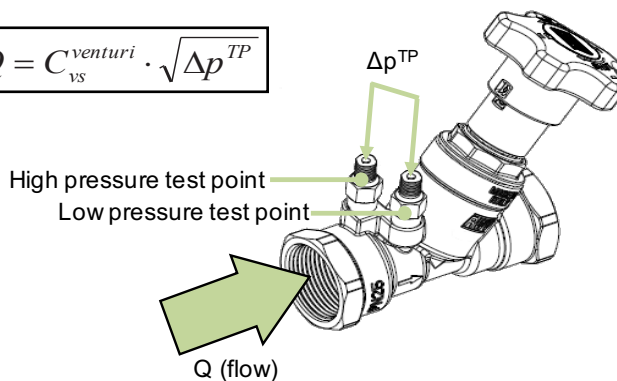
- U-1/2", C_{vs venturi} 0.64
- L-1/2", C_{vs venturi} 1.33
- 1/2", C_{vs venturi} 3.24
- 3/4", C_{vs venturi} 6.16
- 1", C_{vs venturi} 11.24
- 1 1/4", C_{vs venturi} 23.41
- 1 1/2", C_{vs venturi} 34.95
- 2", C_{vs venturi} 63.77

Q = flow rate in GPM

Δp = differential pressure signal generated through pressure test points

Cv = flow coefficient

$$Q = C_{vs}^{venturi} \cdot \sqrt{\Delta p^{TP}}$$

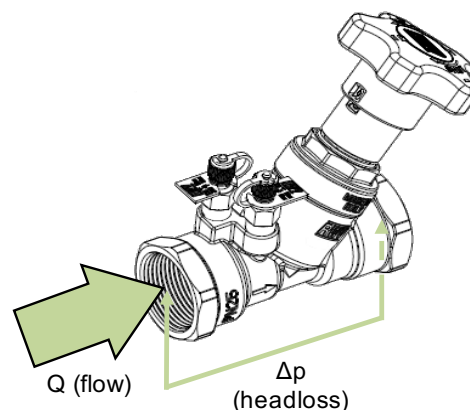


Headloss

Handwheel position	U-1/2"	L-1/2"	1/2"	3/4"	1"	1 1/4"	1 1/2"	2"
0.5	0.177	0.160	0.474	0.47	1.70	2.96	3.14	6.20
0.7	0.206	0.186	0.474	0.54	2.00	3.38	3.61	7.56
1.0	0.283	0.287	0.613	0.67	2.42	3.95	4.27	9.65
1.3	0.331	0.394	0.717	0.81	2.82	4.49	4.96	12.19
1.5	0.355	0.440	0.809	0.90	3.12	4.83	5.57	14.30
1.7	0.387	0.501	0.902	0.99	3.48	5.25	6.60	16.64
2.0	0.445	0.586	0.99	1.12	4.13	6.27	8.99	20.17
2.3	0.511	0.67	1.10	1.25	4.83	7.82	12.08	23.35
2.5	0.517	0.70	1.18	1.39	5.28	9.16	14.21	25.12
2.7	0.527	0.74	1.32	1.62	5.63	10.46	16.34	26.66
3.0	0.563	0.83	1.60	2.24	6.09	12.21	18.89	28.72
3.3	0.578	0.86	1.88	2.94	6.49	13.39	20.67	30.57
3.5	0.594	0.89	2.03	3.39	6.64	13.94	21.54	31.72
3.7	0.595	0.92	2.12	3.75	6.80	14.34	22.16	32.86
4.0	0.603	0.95	2.19	4.06	7.10	14.50	22.65	34.36
4.4	0.605	0.98	2.22	4.24	7.21	-	-	-

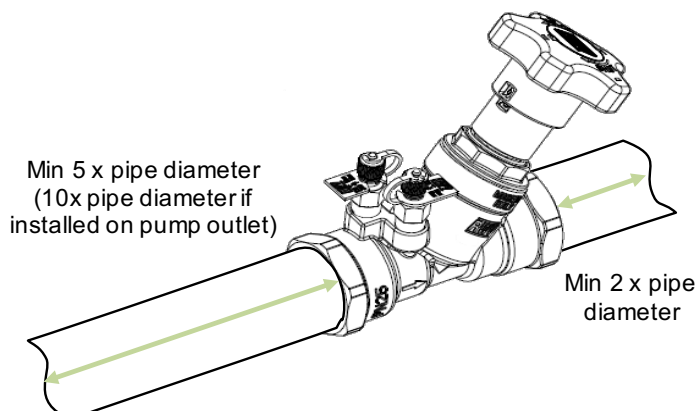
Formula linking flow Q (in GPM) and theoretical valve headloss Δp (in psi). Cv depends on handwheel position as indicated on table.

$$\Delta p = \left(\frac{Q}{C_v} \right)^2$$



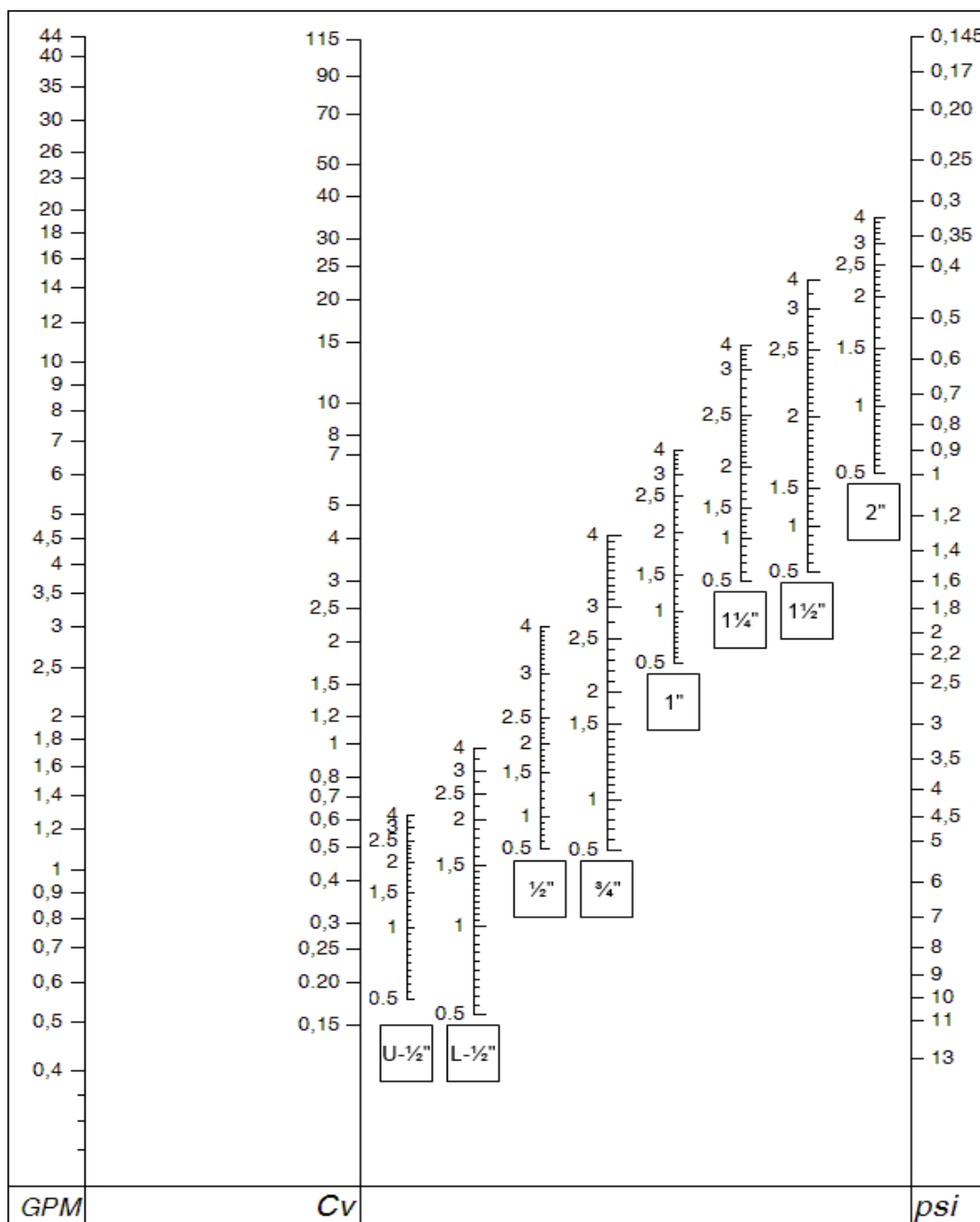
Installation

To obtain the best performances valve must be installed on a pipe with its same nominal size preceded and followed by straight pipe lengths as per figure indications.



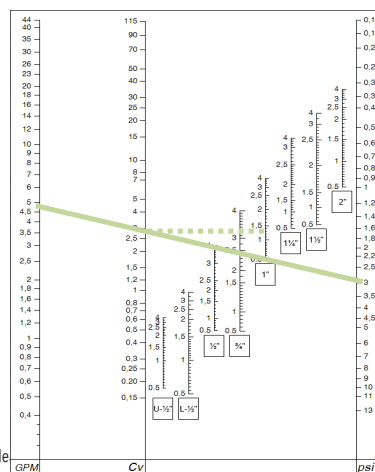
WARNING: This product can expose you to chemicals including lead, which is known to the State of California to cause cancer and birth defects or other reproductive harm. For more information go to www.P65Warnings.ca.gov.
 Drawings, photos and data are provided for information only and subject to change without notice. No part of this document may be reproduced, copied, modified or adapted, without the prior written consent of the copyright owner, unless otherwise indicated.
 The Drinking Water Act has defined lead free as having the average wetted surface ratio of the fixture to contain less than .25% of lead per volume.

Presetting



Using the diagram above, it is possible to determine the presetting position of the valve with the given design flowrate and headloss:

- 1) draw a straight line joining design flowrate and design headloss;
- 2) determine design Cv value as intersection of drawn line and Cv axis;
- 3) draw a straight horizontal line from intersection previously identified and the specific valve size Axis;
- 4) intersection determines handwheel position to use for presetting.



In the example for a design flowrate of 5GPM and design Δp 3psi handwheel position of 1.35 is determined for a 1" valve