

Lead-Free* Brass Ball Valves - Threaded

Features: Two-Piece Body • Full Port • Blowout-Proof Stem • PTFE Seats

Approvals: NSF/ANSI 61-8 (includes annex F and G) • NSF/ANSI 372 • IAPMO IGC-157 • MSS SP-110

1/4"-2" 600 PSI non-shock cold working pressure

2-1/2"-4" 400 PSI non-shock cold working pressure

CSA (1/4" - 2"):

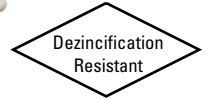
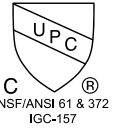
- ANSI Z21.15 / CSA 9.1
- ASME B16.44: 5 psig (maximum)
- ASME B16.33: 125 psig (maximum)
- CAN / CGA 3.16
- CGA CR91-002: 1/2 psig, 2psig, and 5 psig

FM (1/4" - 2"):

- 1140 approved 175 wwp

UL, Gas and Oil (1/4" - 4"):

- UL 1477 (YQNZ): Compressed gas shutoff valves – 250 PSI
- UL 842 (YRBX): Flammable liquid shutoff valves – 250 PSI
- UL 842 (YRPV): Gas shutoff valves – 250 PSI
- UL 842 (MHKZ): Manual valves – 250 PSI
- UL 125 (YSDT): LP-Gas shutoff valves – 250 PSI
- UL Subject 258 (VQGU): Trim and drain valves (1/4" to 2")



T-FP-600A-LF

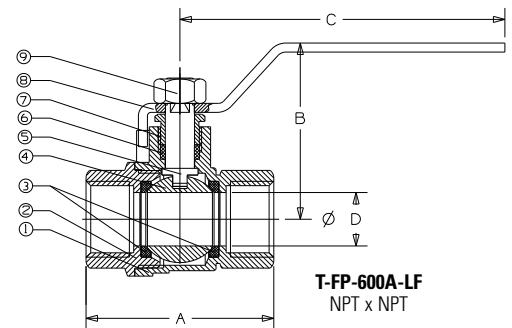


T-FP-600A-LF-LL

w/Locking Lever

MATERIAL LIST

PART	SPECIFICATION
1. Body	Forged DZR Copper Alloy
2. End Cap	Forged DZR Copper Alloy
3. Ball Seat	PTFE
4. Ball	Chrome Plated LF Brass - C46500 (1/2"-1") Stainless Steel 316 (1 1/4"-4")
5. Stem	Brass
6. Stem Packing	PTFE
7. Packing Nut	Brass
8. Lever Handle	Steel, Plated
9. Handle Nut	Stainless Steel



T-FP-600A-LF
NPT x NPT

DIMENSIONS—WEIGHTS—QUANTITIES

SIZE	A		B		C		D		E		F		G		J		T-FP-600A-LF		Master	
In.	mm.	In.	mm.	In.	mm.	In.	mm.	In.	mm.	In.	mm.	In.	mm.	In.	mm.	In.	mm.	Lbs.	Kg.	Ctn Qty.
1/4	8	1.76	45	3.54	90	1.73	44	0.39	10	0.82	21	1.01	26	0.47	12	4.42	112	0.33	0.15	18
3/8	10	1.76	45	3.54	90	1.73	44	0.39	10	0.82	21	1.01	26	0.47	12	4.42	112	0.30	0.14	18
1/2	15	2.02	51	3.54	90	1.94	49	0.56	14	0.98	25	1.24	31	0.52	13	4.57	116	0.44	0.20	18
3/4	20	2.36	60	3.78	96	2.11	54	0.74	19	1.24	31	1.49	38	0.56	14	4.98	126	0.66	0.30	12
1	25	2.76	70	4.53	115	2.56	65	0.94	24	1.5	38	1.79	45	0.63	16	5.91	150	1.10	0.50	6
1-1/4	32	3.3	84	4.53	115	2.98	76	1.28	33	1.88	48	2/34	316255	0.71	18	6.18	157	1.57	0.71	4
1-1/2	40	3.66	93	5.51	140	3.37	86	1.58	40	2.22	56	2.83	72	0.72	18	7.34	186	2.40	1.09	2
2	50	4.18	106	5.51	140	3.7	94	1.99	51	2.68	68	3.42	87	0.75	19	7.6	193	3.37	1.53	2
2-1/2	65	5.38	137	8.66	220	4.76	121	2.52	64	3.34	85	4.33	110	1.02	26	11.35	288	7.60	3.45	3
3	80	6.09	155	8.66	220	5.08	129	2.91	74	3.89	99	4.92	125	1.1	28	11.68	297	9.36	4.24	2
4	100	7.39	188	9.61	244	5.87	149	3.87	98	4.95	126	6.38	162	1.22	31	13.3	338	16.85	7.64	1

Handle Options:

- Lever
- Locking lever
- Extended lever

*Weighted average lead content ≤ 0.25%