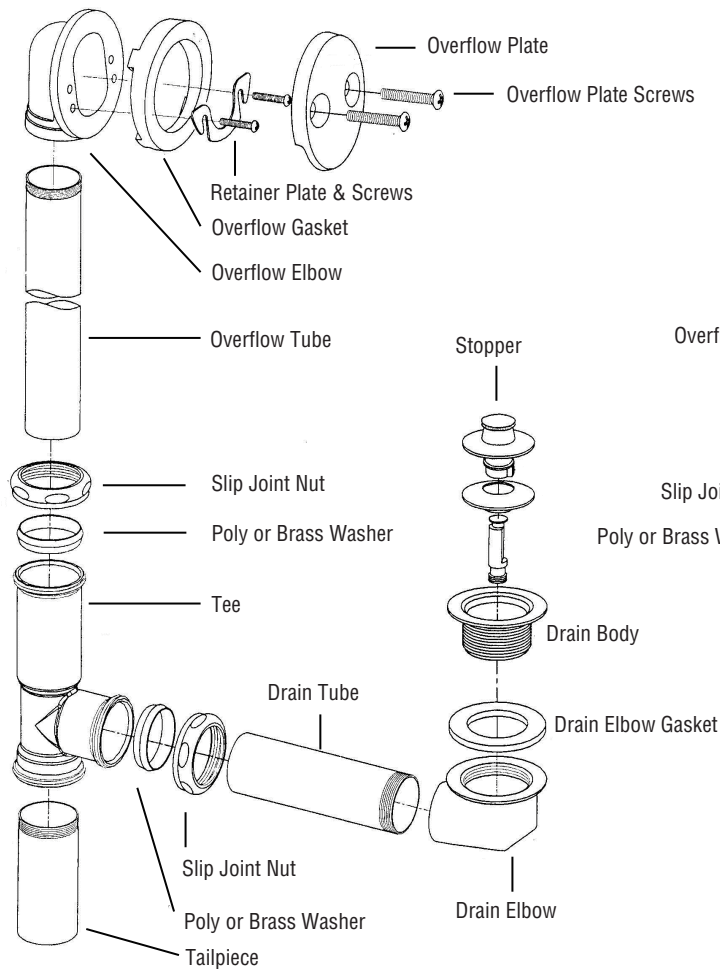


Installation Instructions

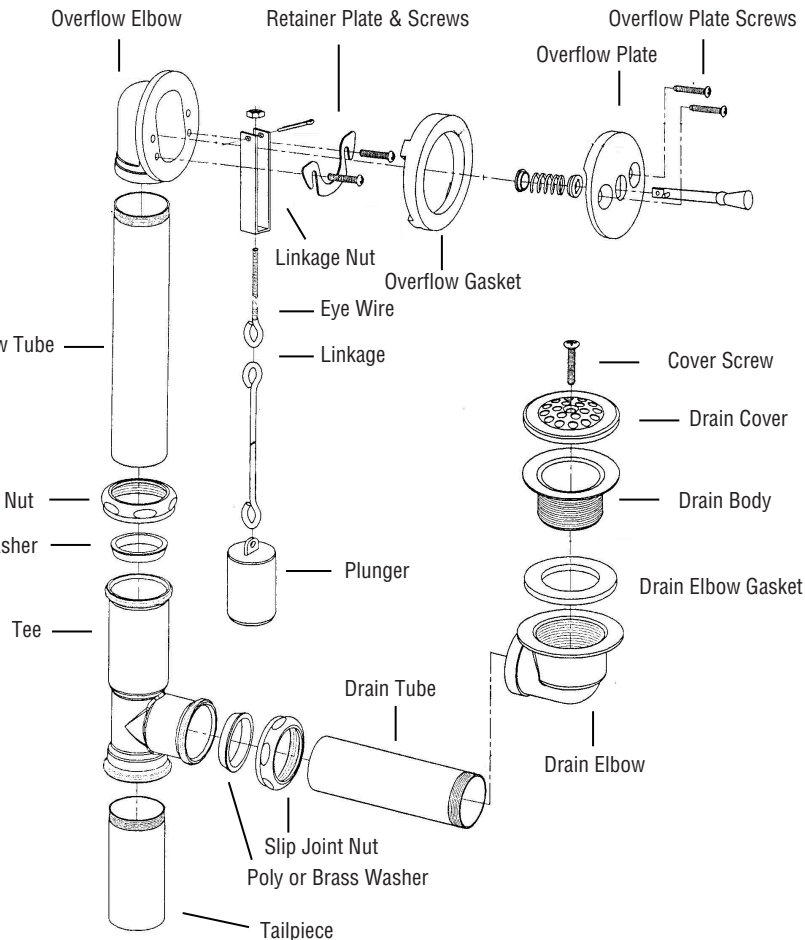
Brass W&O Assembly

Bath Drain with Stopper



1. Pre fit all pieces before final assembly to ensure all dimensions are correct.
2. Cut pipe to correct lengths, if needed.
3. Assemble bath drain pipe and fittings.
4. Secure drain elbow and drain flange gasket under the tub by screwing in the strainer body through the tub drain hole from inside the tub. Note: Avoid contact of plumber's putty with ABS plastic parts.
5. Place overflow gasket on overflow elbow and place the overflow elbow against the back of the tub aligned with the overflow hole on the bathtub.
6. From inside the tub, start the two retainer plate screws in the bottom two holes in the overflow elbow. Hang the retainer plate over the screw heads and tighten the screws until the retainer plate makes contact with the interior tub wall and overflow gasket is tight against the exterior tub wall.

Bath Drain with Trip Lever



7. Install overflow plate.
8. For trip lever style, to install linkage assembly to the approximate correct length, place plunger on bottom of tub and adjust the length by screwing adjustable linkage control in the necessary direction. Note: hexnuts must also be adjusted. Correct length will be completed when the top hook of the eye wire is at the same level as the bottom of the tub overflow and make sure brass linkage is not kinked.
9. Install plunger and linkage assembly through overflow elbow. Align faceplate even with the center of the overflow opening, insert screws through the face plate into threaded holes in overflow elbow.
10. Test the linkage length adjustment to be sure the plunger reaches the bottom seat to shut off water in its down position and lifts far enough to allow free drainage in its up position. Test this setting, then tighten both hexnuts.
11. Screw in drain cover or lift & turn style drain body into drain elbow.

Warranty and Codes

product carries a 1-year limited warranty.