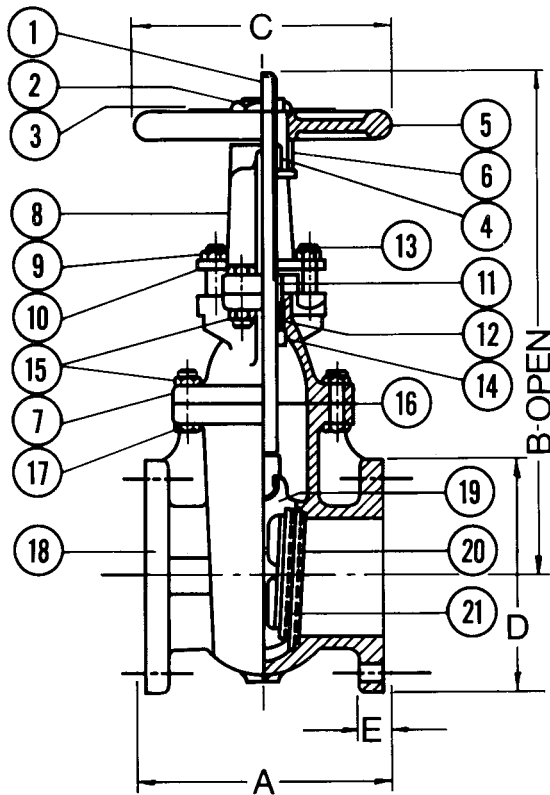
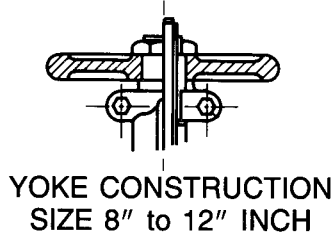


# IR1140-HI 2"-12"

**Iron Gate Valve**  
**125 SWP - 200 WOG †**  
**OS & Y • Solid Wedge Disc**  
**Bolted Bonnet • Flanged Ends**  
**Conforms to: MSS SP-70**



| MATERIAL LIST  |                     |              |                    |
|----------------|---------------------|--------------|--------------------|
| No.            | PART                | MATERIAL     | SPECIFICATION      |
| 1              | Stem                | Brass        | ASTM B16           |
| 2              | Handwheel Nut       | Ductile Iron |                    |
| 3              | Name Plate          | Aluminum     |                    |
| 4              | Yoke Bushing        | Cast Bronze  | ASTM B62           |
| 5              | Handwheel           | Cast Iron    | ASTM A126, Class B |
| 6 <sup>2</sup> | Yoke Bushing Nut    | Cast Iron    | ASTM A126, Class B |
| 7 <sup>1</sup> | Bonnet              | Cast Iron    | ASTM A126, Class B |
| 8 <sup>1</sup> | Yoke                | Cast Iron    | ASTM A126, Class B |
| 9              | Gland Follower Nut  | Steel        | ASTM A307-B        |
| 10             | Gland Follower      | Ductile Iron | ASTM A536          |
| 11             | Packing Gland       | Cast Bronze  | ASTM B62           |
| 12             | Packing             | Graphite     |                    |
| 13             | Gland Follower Bolt | Steel        | ASTM A307-B        |
| 14             | Backseat Bushing    | Cast Bronze  | ASTM B62           |
| 15             | Nut                 | Steel        | ASTM A307-B        |
| 16             | Body Gasket         | Graphite     |                    |
| 17             | Bolt                | Steel        | ASTM A307-B        |
| 18             | Body                | Cast Iron    | ASTM A126, Class B |
| 19             | Wedge               | Cast Iron    | ASTM A126, Class B |
| 20             | Seat Ring           | Cast Bronze  | ASTM B62           |
| 21             | Wedge Face Ring     | Cast Bronze  | ASTM B62           |

<sup>1</sup> Sizes 2" to 3" made with yoke integral with bonnet.  
 Sizes 4" through 12" made with separate yoke bolted to bonnet.  
<sup>2</sup> Sizes 2" to 3" only

| DIMENSIONS - INCHES/MILLIMETERS |       |              |               |              |              |            |                |
|---------------------------------|-------|--------------|---------------|--------------|--------------|------------|----------------|
| Units                           | Size  | A            | B             | C            | D            | E          | C <sub>v</sub> |
| Inches<br>mm                    | 2     | 7.00<br>178  | 15.00<br>381  | 7.00<br>178  | 6.00<br>152  | 0.63<br>16 | 215            |
| Inches<br>mm                    | 2 1/2 | 7.50<br>191  | 16.88<br>429  | 7.00<br>178  | 7.00<br>178  | 0.69<br>17 | 335            |
| Inches<br>mm                    | 3     | 8.00<br>203  | 18.75<br>476  | 8.00<br>203  | 7.50<br>191  | 0.75<br>19 | 510            |
| Inches<br>mm                    | 4     | 9.00<br>229  | 22.75<br>578  | 10.00<br>254 | 9.00<br>229  | 0.94<br>24 | 945            |
| Inches<br>mm                    | 5     | 10.00<br>254 | 27.13<br>689  | 12.00<br>305 | 10.00<br>254 | 0.94<br>24 | 1525           |
| Inches<br>mm                    | 6     | 10.50<br>267 | 30.13<br>765  | 12.00<br>305 | 11.00<br>279 | 1.00<br>25 | 2250           |
| Inches<br>mm                    | 8     | 11.50<br>292 | 40.13<br>1019 | 14.00<br>356 | 13.50<br>343 | 1.13<br>29 | 4150           |
| Inches<br>mm                    | 10    | 13.00<br>330 | 48.25<br>1226 | 16.00<br>406 | 16.00<br>406 | 1.81<br>46 | 6700           |
| Inches<br>mm                    | 12    | 14.00<br>356 | 56.88<br>1445 | 18.00<br>457 | 19.00<br>483 | 1.25<br>32 | 9925           |

Suffix HI – Signifies International Valves.

† Non-Shock

The information presented on this sheet is correct at time of publication. Hammond Valve reserves the right to change design and/or materials without notice. For our Installation, Operation and Maintenance Manual and the most current product information go to [www.hammondvalve.com](http://www.hammondvalve.com). Hammond Valve is a registered trademark of Milwaukee Valve.

⚠ State of California Prop 65 **WARNING: Cancer and Reproductive Harm.** For more information visit [www.p65warnings.ca.gov](http://www.p65warnings.ca.gov).