

Cast Iron P-Trap • Spec Sheet

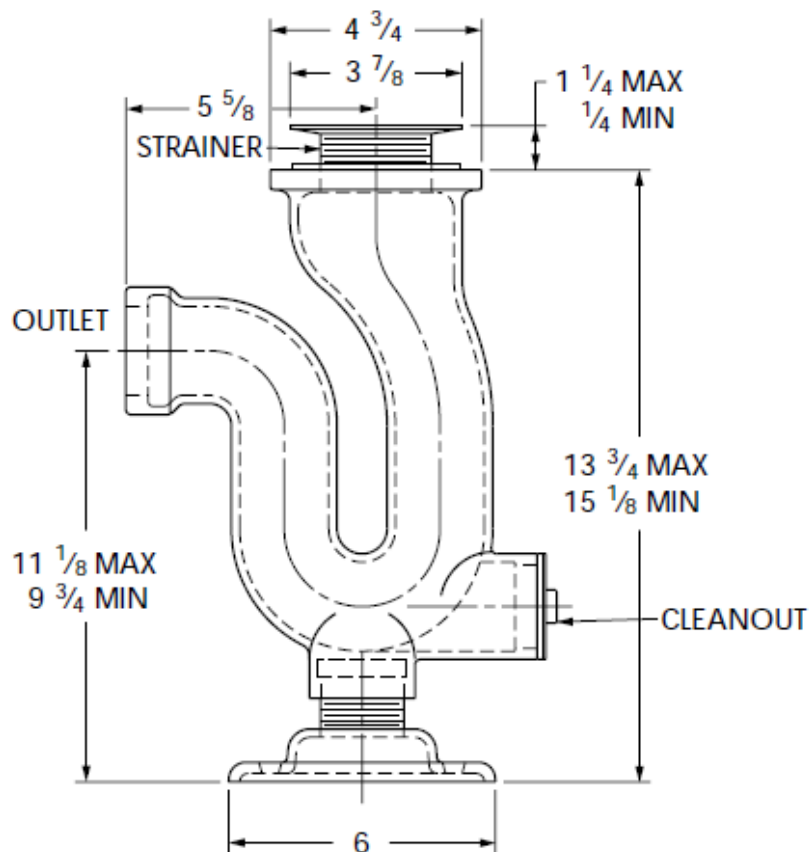


FEATURES & BENEFITS

- White Epoxy Coating with 2-1/4" Chrome Plated Brass Strainer and Brass Cleanout Plug
- 2" and 3" IPS Outlet

DIMENSIONS

Part #	Size	Weight
TRAP110	2"	19.6 lbs
TRAP120	3"	19.6 lbs



MATCO-NORCA
Global sourcing. National compliance. Local service.