

CIFD6NH Heavy Duty Floor Drain • Spec Sheet

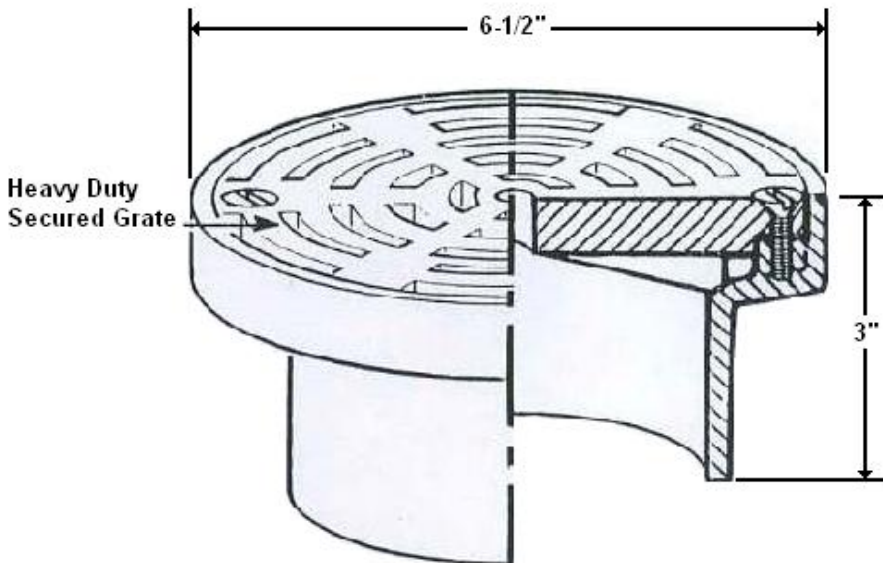


FEATURES & BENEFITS

- Epoxy Coated Cast Iron Drain with 6-1/2" Round Top
- Epoxy Coated Cast Iron Grate Secured with 2 Stainless Steel Screws

DIMENSIONS

Part #	Size	Weight
CIFD6NH2	2"	4.95 lbs
CIFD6NH3	3"	4.95 lbs
CIFD6NH4	4"	4.95 lbs



 **MATCO-NORCA**
Global sourcing. National compliance. Local service.