



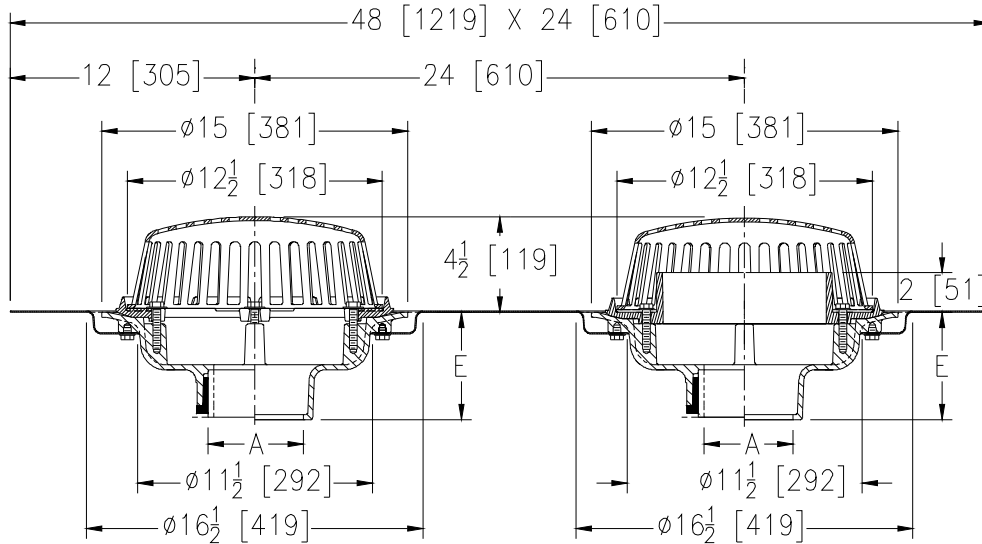
Z163

15 [381] DIAMETER COMBINATION MAIN ROOF & OVERFLOW DRAIN W/ LOW SILHOUETTE DOMES & DOUBLE TOP-SET® DECK PLATE

SPECIFICATION SHEET

TAG _____

Dimensional Data (inches and [mm]) are Subject to Manufacturing Tolerances and Change Without Notice



A - Pipe Size In.[mm]	Approx. Wt. Lbs. [kg]	Dome Open Area Sq. In. [cm ²]
2, 3, 4 [51, 76, 102]	73 [33]	103 [665]
6 [152]	74 [34]	
8 [203]	75 [34]	

ENGINEERING SPECIFICATION: ZURN Z163

15" [381 mm] Diameter roof drain and overflow drain, Dura-Coated cast iron bodies with combination membrane flashing clamp/gravel guards, double Top-Set® deck plate, and low silhouette Poly-Domes.

OPTIONS (Check/specify appropriate options)

PIPE SIZE

- 3, 4, 6 [51, 76, 152]
- 2, 3, 4, 6, 8 [51, 76, 102, 152, 203]
- 2, 3, 4, 6, 8 [51, 76, 102, 152, 203]
- 2, 3, 4 [51, 76, 102]

(Specify size/type) OUTLET

- _____ IC Inside Caulk
- _____ IP Threaded
- _____ NH No-Hub
- _____ NL Neo-Loc

E BODY HT. DIM.

- 5-1/4 [133]
- 3-3/4 [95]
- 5-1/4 [133]
- 4-5/8 [117]

PREFIXES

- _____ Z D.C.C.I. Body with Poly-Dome*
- _____ ZA D.C.C.I. Body with Aluminum Dome
- _____ ZC D.C.C.I. Body with Cast Iron Dome

SUFFIXES

- | | |
|--|--|
| _____ -AR Acid Resistant Epoxy Coated Finish | _____ -SS Stainless Steel Mesh Screen Over Dome |
| _____ -DE Deck Extension | _____ -TC Neo-Loc Test Cap Gasket
(2,3,4 [51,76,102] NL Bottom Outlet Only) |
| _____ -DR Top-Set® Drain Riser | _____ -VP Vandal Proof Secured Top |
| _____ -E Static Extension 1 thru 4 [25 thru 102] (Specify Ht.) | _____ -W3 3 [76] Internal Water Dam |
| _____ -EA Adjustable Extension Assembly
2-1/8 thru 3-1/2 [54 thru 89] | _____ -W4 4 [102] Internal Water Dam |
| _____ -G Galvanized Cast Iron | _____ -XJ Vertical Expansion Joint (See Z190) |
| _____ -HD 6-3/4 [171] High Aluminum Dome Strainer
(148 in ² [955 cm ²] Open Area)(ZA Only) | _____ -84 Stainless Steel Perforated Gravel Guard |
| _____ -SC Secondary Clamping Collar | _____ -85 Stainless Steel Perforated Extension |
| | _____ -89 2 [51] High External Water Dam
(Replaces Internal Dam) |

* Regularly furnished unless otherwise specified.