



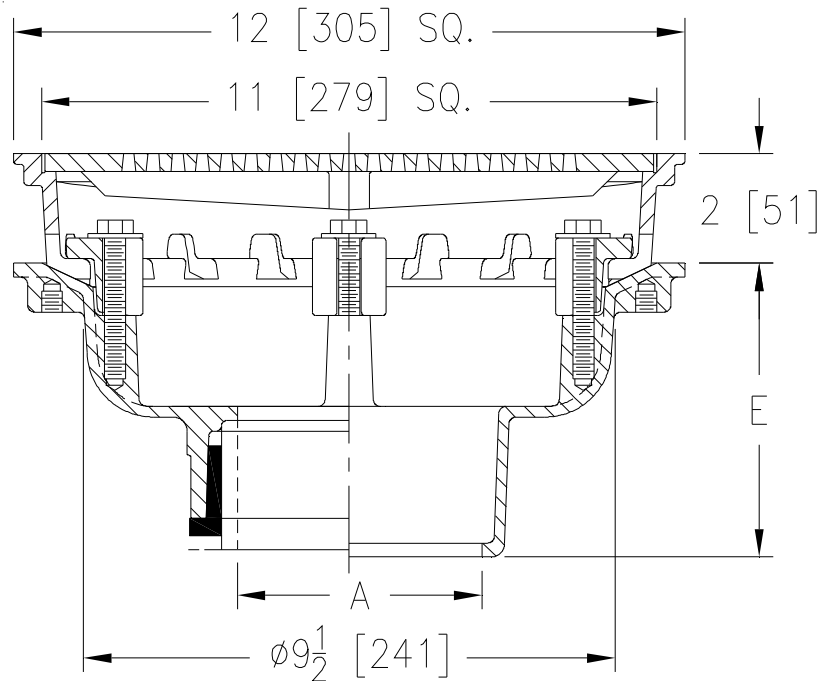
# Z154

## 12 [305] SQUARE TOP PROM-DECK DRAIN W/ HEEL-PROOF GRATE & ROTATABLE FRAME

SPECIFICATION SHEET

TAG \_\_\_\_\_

Dimensional Data (inches and [ mm ]) are Subject to Manufacturing Tolerances and Change Without Notice



A Pipe Size In. [mm]	Approx. Wt. Lbs. [kg]	Grate Open Area Sq. In. [cm <sup>2</sup> ]
2, 3, 4, 6 [51, 76, 102, 152]	29 [13]	34 [219]

### ENGINEERING SPECIFICATION: ZURNZ154

12" [305mm] Square Top Prom-Deck drain, Dura-Coated cast iron body with rotatable light duty square promenade frame with seepage openings, frame clamps and light duty heel-proof grate.

### OPTIONS (Check/specify appropriate options)

#### PIPE SIZE

- 2, 3, 4, 6 [51, 76, 102, 152]
- 2, 3, 4, 6 [51, 76, 102, 152]
- 2, 3, 4, 6 [51, 76, 102, 152]
- 2, 3, 4 [51, 76, 102]

#### (Specify size/type) OUTLET

- \_\_\_ IC Inside Caulk
- \_\_\_ IP Threaded
- \_\_\_ NH No-Hub
- \_\_\_ NL Neo-Loc

#### 'E' BODY HT. DIM.

- 5-1/4 [133]
- 3-3/4 [95]
- 5-1/4 [133]
- 4-9/16 [117]

#### PREFIXES

- \_\_\_ Z D.C.C.I. Body with Top\*
- \_\_\_ ZB D.C.C.I. Body with Polished Bronze Top (Add 3/16 [5] to 2 [51] Dim & 5/8 [16] to 12 [305] Dim.)
- \_\_\_ ZN D.C.C.I. Body with Polished Nickel Bronze Top (Add 3/16 [5] to 2 [51] Dim & 5/8 [16] to 12 [305] Dim.)

#### SUFFIXES

- |  |  |
|--|--|
| ___ -AR Acid Resistant Epoxy Coated              | ___ -SC Secondary Clamp Collar   |
| ___ -C Underdeck Clamp                           | ___ -TC Neo-Loc Test Cap Gasket<br>(2, 3, 4 [51, 76, 102] NL Bottom Outlet Only) |
| ___ -DG Duresist Grate (Z Only)                  | ___ -TS Top Secured with Slotted Screws  |
| ___ -DP Top-Set® Roof Deck Plate                 | ___ -VP Vandal-Proof Secured Top   |
| ___ -DT Decorative Polished Top (ZB and ZN Only) | ___ -Y Sediment Bucket   |
| ___ -E 2 [51] High Static Extension              | ___ -85 Stainless Steel Perforated Extension                                     |
| ___ -EB Top-Set® Adjustable Extension Assembly   | ___ -90 90° Threaded Side Outlet Body<br>(2, 3, 4 [51, 76, 102])                 |
| ___ -G Galvanized Cast Iron                      |  |
| ___ -S Secondary Strainer                        |  |

\* Regularly furnished unless otherwise specified.

Zurn Industries, LLC | Specification Drainage Operation  
1801 Pittsburgh Avenue, Erie, PA U.S.A. 16502 · Ph. 855-663-9876, Fax 814-454-7929  
In Canada | Zurn Industries Limited  
3544 Nashua Drive, Mississauga, Ontario L4V 1L2 · Ph. 905-405-8272, Fax 905-405-1292  
[www.zurn.com](http://www.zurn.com)

Rev. J  
Date: 09/25/2017  
C.N. No. 137805  
Prod. | Dwg. No. Z154