


BRADFORD WHITE[®]
W A T E R H E A T E R S

REPLACEMENT PARTS LIST

**Ultra Low NOx
Residential & Light Duty Commercial Gas
Atmospheric Vent Models**

“URG” & “ULG” Models



Includes Hydrojet[®]
Total Performance System

**Effective: June, 2018
ECO 8195**

**NOTE: BOTH MODEL AND SERIAL
NUMBERS ARE REQUIRED FOR
ORDERING REPLACEMENT PARTS**

Dimensions and specifications
subject to change without notice.



As required by the state of California Proposition 65.

Item	Description	Model	Model	Model
		URG130T*N	URG140T*N	URG150T*N
1	Flue Baffle	243-51480-00	243-51479-00	243-51479-00
2	Hot Water Outlet Anode (Magnesium) ▲ #	224-47776-19	224-47776-19	224-47776-19
	Hot Water Outlet Anode (Aluminum) ▲ #	224-32999-28	224-32999-28	224-32999-28
	Hot Water Outlet Anode (A420 Aluminum) ▲ #	224-49560-10	224-49560-10	224-49560-10
3	Cold Water Inlet Dip Tube (PEX) ▲	229-51230-19	229-51230-21	229-39625-22
4	T&P Relief Valve	230-40594-02	230-40594-02	230-40594-02
5	Drain Valve (Brass)	265-42351-02	265-42351-02	265-42351-02
6	Gas valve (Natural)	415-52915-01	415-52915-01	415-52915-01
7	Main Burner Orifice 0 Ft. to 2,000 Ft.	234-18194-43	234-18194-41	234-18194-41
	Main Burner High Altitude Orifice 0 Ft. to 7,000 Ft. (-475 model suffixes) **	234-18194-46	234-18194-44	234-18194-44
8	Outer Door	239-46209-00	239-46209-00	239-46209-00
9	Draft Diverter	243-45787-00	243-45787-00	243-45787-00
10	Burner Assembly (normal alt.)***	265-46693-01-43	265-46693-03-41	265-46693-05-41
	Burner Assembly (0-7000 ft.)***	265-46693-01-46	265-46693-03-44	265-46693-05-44
11	Burner **	228-48383-14	228-48383-16	228-48383-18
12	Flexible Gas Feedline	233-46930-01	233-46930-01	233-46930-01
13	Pilot assembly kit without door gasket**	265-48999-05	265-48999-05	265-48999-05
	Pilot Assembly kit with door gasket	265-47449-00	265-47449-00	265-47449-00
14	Screw #8-18 X 1/2 HWH (1 req'd)	239-32761-00	239-32761-00	239-32761-00
15	Thermal Switch kit (5 PCS)	239-48643-03	239-48643-03	239-48643-03
16	Screw #6-20 X 3/8 PHCR (2 req'd)	239-43967-00	239-43967-00	239-43967-00
17	Screw #8-15 X 3/4 INHXWS Slot (2 req'd)	239-44195-00	239-44195-00	239-44195-00
18	Inner Door Right Side Assembly	239-49784-01	239-49784-02	239-49784-03
19	RTD Sensor Kit	265-50016-00	265-50016-00	265-50016-00
20	Screw #10-12 X 3/4 HWH (7 req'd)	239-44113-00	239-44113-00	239-44113-00
21	Spring Clip (Feedline)	239-47475-00	239-47475-00	239-47475-00
22	ASSE Approved Mixing Valve (Optional)	239-51778-00	239-51778-00	239-51778-00
23	Kit-Inner Door Gasket	239-47062-00	239-47062-00	239-47062-00
24	Kit-Heat Trap Insert (Inlet & Outlet)	265-51572-00	265-51572-00	265-51572-00
25	Intermediate Gas Valve Harness	239-47892-01	239-47892-01	239-47892-01
26	Insulation Kit	239-51674-00	239-51674-00	239-51674-00
27	Gas Control to Thermopile Harness	239-50019-01	239-50019-01	239-50019-01
28	RTD Sensor	239-49785-00	239-49785-00	239-49785-00

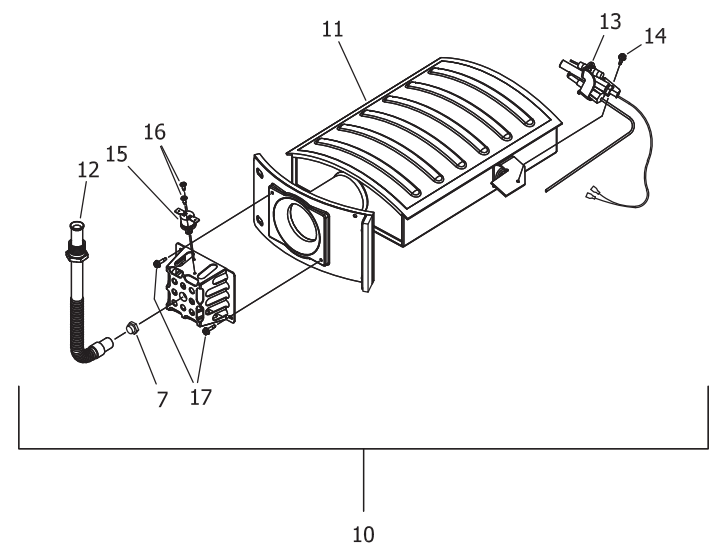
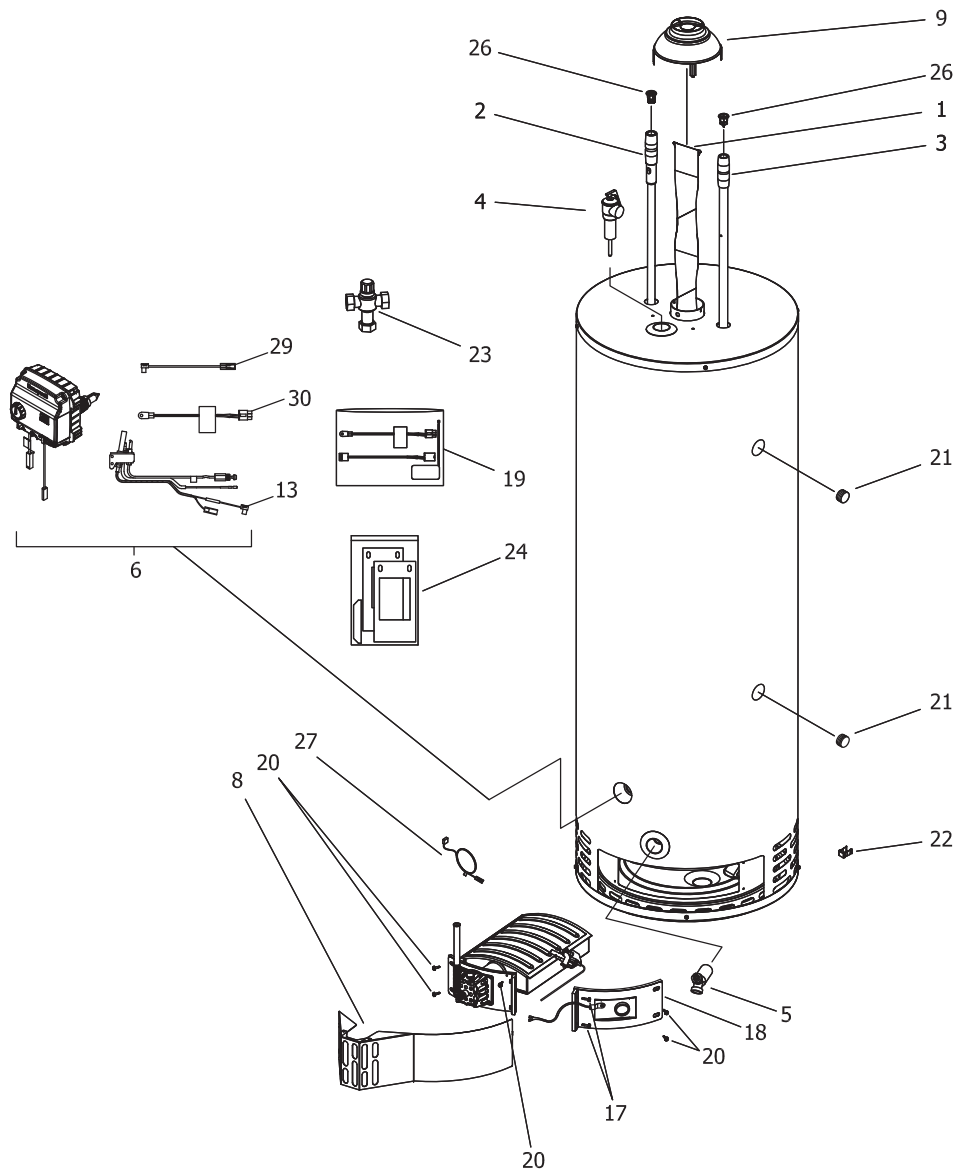
*Applies to all warranties

**Inner door gasket kit recommended

***Ordering a complete burner assembly may increase delivery time. Please order the specific component required for the quickest delivery.

▲ Order with item 27

Anode may need to be cut to length



Item	Description	Model	Model	Model	Model
		URG230T*N	URG240S*N	URG240T*N	ULG250H55*N
1	Flue Baffle	243-44639-00	243-52980-00	243-52582-00	---
	Flue Core	---	---	---	239-50666-00
2	Hot Water Outlet Anode (Magnesium) ▲#	224-47776-16	224-47776-16	224-47776-17	224-47776-23
	Hot Water Outlet Anode (Aluminum) ▲#	224-32999-42	224-32999-42	224-32999-42	224-32999-42
	Hot Water Outlet Anode (A420 Aluminum) ▲ #	224-49560-08	224-49560-08	224-49560-08	224-49560-08
3	Cold Water Inlet Dip Tube (PEX) ▲	229-51230-19	229-45092-14	229-45092-06	229-51230-29
4	T&P Relief Valve	230-40594-03	230-40594-03	230-40594-03	230-40594-03
5	Drain Valve (Brass)	265-42351-02	265-42351-02	265-42351-02	265-42351-02
6	Gas valve (Natural)	415-52915-01	415-52915-01	415-52915-01	415-52916-01
7	Main Burner Orifice 0 Ft. to 2,000 Ft.	234-18194-42	234-18194-36	234-18194-36	234-18194-30
	Main Burner High Altitude Orifice 0 Ft. to 7,000 Ft. (-475 model suffixes) **	234-18194-44	234-18194-41	234-18194-41	234-18194-32
8	Outer Door	239-46209-00	239-46209-00	239-46209-00	239-46209-00
9	Draft Diverter	243-45787-00	243-45787-00	243-45787-00	239-33081-02-20-15
10	Burner Assembly (normal alt.)***	265-46693-01-42	265-46693-05-36	265-46693-03-36	265-46693-08-30
	Burner Assembly (0-7000 ft.)***	265-46693-01-44	265-46693-05-41	265-46693-03-41	265-46693-08-32
11	Burner **	228-48383-14	228-48383-18	228-48383-16	228-48383-19
12	Flexible Gas Feedline	233-46930-01	233-46930-01	233-46930-01	233-46930-01
13	Pilot assembly kit without door gasket**	265-48999-05	265-48999-05	265-48999-05	265-48999-05
	Pilot Assembly kit with door gasket	239-47449-00	239-47449-00	239-47449-00	239-47449-00
14	Screw #8-18 X 1/2 HWH (1 req'd)	239-32761-00	239-32761-00	239-32761-00	239-32761-00
15	Thermal Switch Kit (5 PCS)	265-48643-03	265-48643-03	265-48643-03	265-48643-03
16	Screw #6-20 X 3/8 PHCR (2 req'd)	239-43967-00	239-43967-00	239-43967-00	239-43967-00
17	Screw #8-15 X 3/4 INHXWS Slot (2 req'd)	239-44195-00	239-44195-00	239-44195-00	239-44195-00
18	Inner Door Right Side Assembly	239-49784-01	239-49784-03	239-49784-02	239-49784-03
19	RTD Sensor Kit	265-50016-00	265-50016-00	265-50016-00	265-50016-00
20	Screw #10-12 X 3/4 HWH (7 req'd)	239-44113-00	239-44113-00	239-44113-00	239-44113-00
21	Pipe Plug	---	---	---	239-11638-00
22	Spring Clip (Feedline)	239-47475-00	239-47475-00	239-47475-00	239-47475-00
23	ASSE Approved Mixing Valve (Optional)	239-51778-00	239-51778-00	239-51778-00	239-51778-00
24	Kit-Inner Door Gasket	239-47062-00	239-47062-00	239-47062-00	239-47062-00
25	Pilot Orifice **	234-47098-00	234-47098-00	234-47098-00	234-47098-00
26	Kit-Heat Trap Insert (Inlet & Outlet)	265-51572-00	265-51572-00	265-51572-00	265-51572-00
27	Intermediate Gas Valve Harness	239-47892-01	239-47892-01	239-47892-01	239-47892-01
28	Insulation Kit	---	---	239-48949-00	---
29	Gas Control to Thermopile Harness	239-50019-01	239-50019-01	239-50019-01	239-50019-01
30	RTD Sensor	239-49785-00	239-49785-00	239-49785-00	239-49785-00

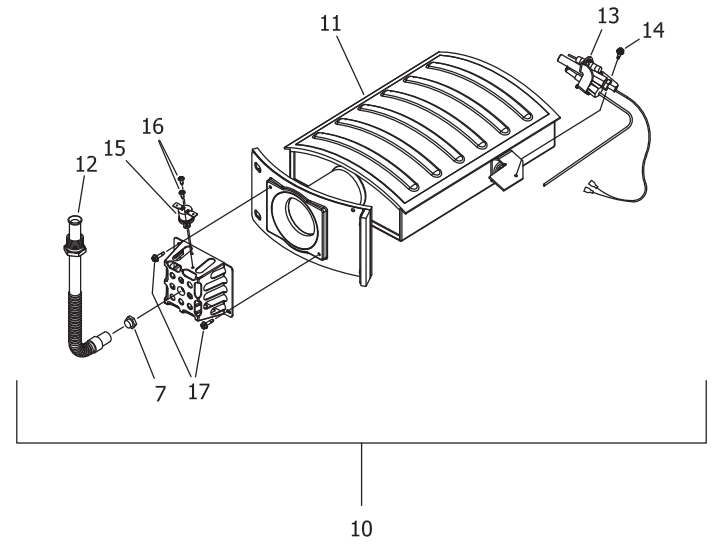
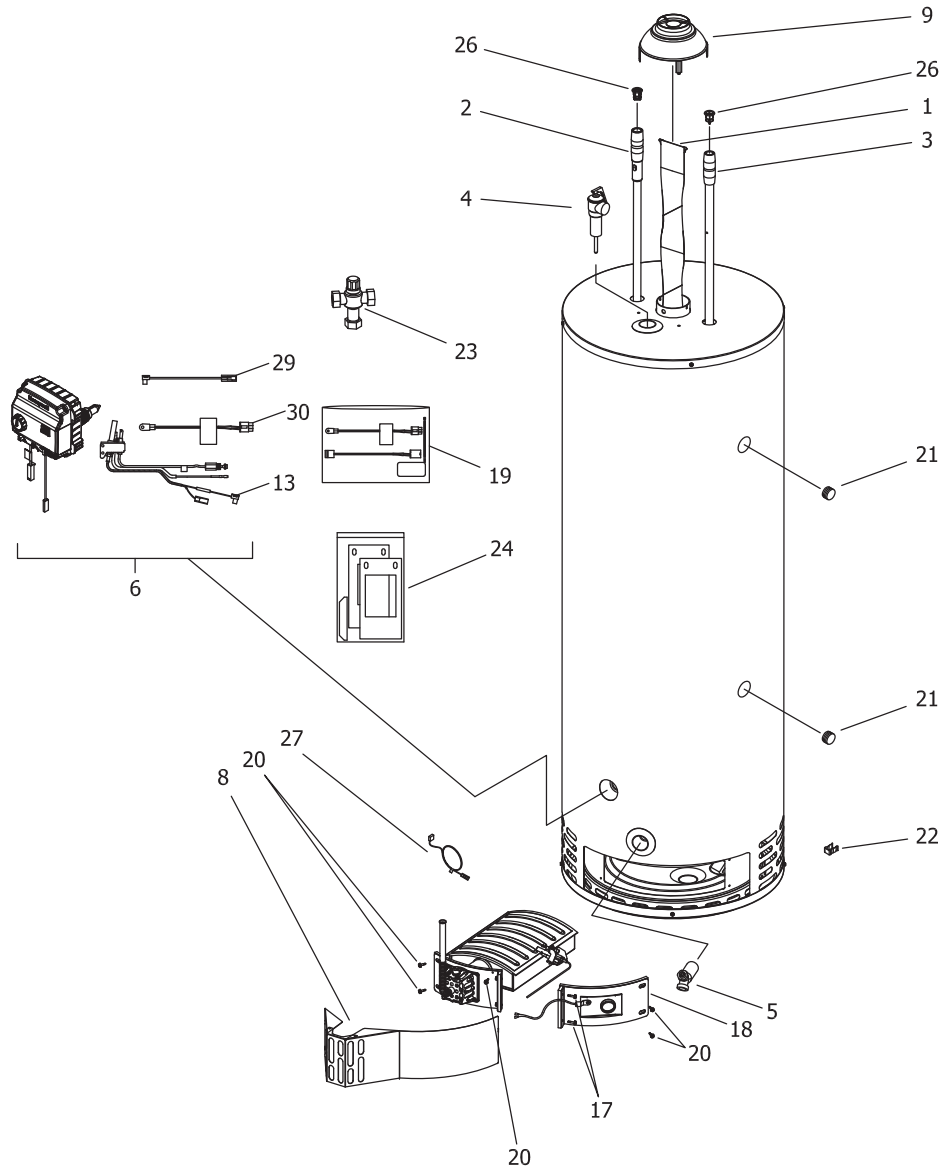
*Applies to all warranties

**Inner door gasket kit recommended

***Ordering a complete burner assembly may increase delivery time. Please order the specific component required for the quickest delivery.

▲ Order with item 26

Anode may need to be cut to length



Item	Description	Model URG250H*N	Model URG250L*N	Model URG250S*N	Model URG250T*N
1	Flue Baffle	---	243-45223-00	243-53148-00	243-44705-00
	Flue Core	239-51837-00	---	---	---
2	Hot Water Outlet Anode (Magnesium) ▲ #	224-47776-23	224-47776-16	224-47776-12	224-47776-12
	Hot Water Outlet Anode (Aluminum) ▲ #	224-32999-42	224-32999-42	224-32999-42	224-32999-42
	Hot Water Outlet Anode (A420 Aluminum) ▲ #	224-49560-08	224-49560-08	224-49560-08	224-49560-08
3	Cold Water Inlet Dip Tube (PEX) ▲	229-45092-08	229-51230-20	229-51230-14	229-39625-22
4	T&P Relief Valve	230-40594-03	230-40594-03	230-40594-03	230-40594-03
5	Drain Valve (Brass)	265-42351-02	265-42351-02	265-42351-02	265-42351-02
6	Gas valve (Natural)	415-52915-01	415-52915-01	415-52915-01	415-52915-01
7	Main Burner Orifice 0 Ft. to 2,000 Ft.	234-18194-30	234-18194-36	234-18194-32	234-18194-36
	Main Burner High Altitude Orifice 0 Ft. to 7,000 Ft. (-475 model suffixes) **	234-18194-32	234-18194-41	234-18194-36	234-18194-41
8	Outer Door	239-46209-00	239-46209-00	239-46209-00	239-46209-00
9	Draft Diverter	239-33081-02-20-15	243-45787-00	239-33081-02-20-15	243-45787-00
10	Burner Assembly (normal alt.)***	243-46693-08-30	265-46693-07-36	265-46693-08-32	265-46693-05-36
	Burner Assembly (0-7000 ft.)***	265-46693-08-32	265-46693-07-41	265-46693-08-36	265-46693-05-41
11	Burner **	228-48383-19	228-48383-20	228-48383-19	228-48383-18
12	Flexible Gas Feedline	233-46930-01	233-46930-01	233-46930-01	233-46930-01
13	Pilot assembly kit without door gasket**	265-48999-05	265-48999-05	265-48999-05	265-48999-05
	Pilot Assembly kit with door gasket	239-47449-00	239-47449-00	239-47449-00	239-47449-00
14	Screw #8-18 X 1/2 HWH (1 req'd)	239-32761-00	239-32761-00	239-32761-00	239-32761-00
15	Thermal Switch Kit (5 PCS)	265-48643-03	265-48643-03	265-48643-03	265-48643-03
16	Screw #6-20 X 3/8 PHCR (2 req'd)	239-43967-00	239-43967-00	239-43967-00	239-43967-00
17	Screw #8-15 X 3/4 INHXWS Slot (2 req'd)	239-44195-00	239-44195-00	239-44195-00	239-44195-00
18	Inner Door Right Side Assembly	239-49784-03	239-49784-04	239-49784-03	239-49784-03
19	RTD Sensor Kit	265-50016-00	265-50016-00	265-50016-00	265-50016-00
20	Screw #10-12 X 3/4 HWH (7 req'd)	239-44113-00	239-44113-00	239-44113-00	239-44113-00
21	Pipe Plug	239-11638-00	---	---	---
22	Spring Clip (Feedline)	239-47475-00	239-47475-00	239-47475-00	239-47475-00
23	ASSE Approved Mixing Valve (Optional)	239-51778-00	239-51778-00	239-51778-00	239-51778-00
24	Kit-Inner Door Gasket	239-47062-00	239-47062-00	239-47062-00	239-47062-00
25	Pilot Orifice **	234-47098-00	234-47098-00	234-47098-00	234-47098-00
26	Kit-Heat Trap Insert (Inlet & Outlet)	265-51572-00	265-51572-00	265-51572-00	265-51572-00
27	Intermediate Gas Valve Harness	239-47892-01	239-47892-01	239-47892-01	239-47892-01
28	Insulation Kit	---	---	---	---
29	Gas Control to Thermopile Harness	239-50019-01	239-50019-01	239-50019-01	239-50019-01
30	RTD Sensor	239-49785-00	239-49785-00	239-49785-00	239-49785-00

*Applies to all warranties

**Inner door gasket kit recommended

***Ordering a complete burner assembly may increase delivery time. Please order the specific component required for the quickest delivery.

▲ Order with item 26

Anode may need to be cut to length



BRADFORD WHITE®

W A T E R H E A T E R S

Ambler, PA

For U.S. and Canada field service,
contact your professional installer or
local Bradford White sales representative.

Sales/800-523-2931

Technical Support/800-334-3393
Email/techserv@bradfordwhite.com

Warranty/800-531-2111
Email/warranty@bradfordwhite.com

Service Parts/800-538-2020
Email/Parts@bradfordwhite.com

International:
international@bradfordwhite.com



BRADFORD WHITE™

CANADA

Halton Hills, Ontario, Canada

Sales & Technical Support/866-690-0961
905-203-0600

Fax/905-636-0666

Email

Warranty/bwccwarranty@bradfordwhite.com
Technical Support/BWCCTech@bradfordwhite.com
Parts/orders@bradfordwhitecanada.com
Orders/ca.orders@bradfordwhite.com

www.bradfordwhite.com